

ASSY COMP

RECEIVER

PPC800

R702 R700

VR777

UP

VR706

F700

LEFT

INT

RIGHT

F701

R701
LR701

SEND

VR705
R702
LR702

DOWN

VR708
R706
LR708

PWR

R707
LR707

CLEAR

R710
R712

R709

C8

1

VR708
R704
LR704
VR703

2

VR709
R710
LR710

3

R703
R705

R713

R705
LR705

4

5

VR710
VR711

6

R711

7

LR700
R700
VR701
VR702

8

VR712
VR704
R706
LR706

9

R708
LR708

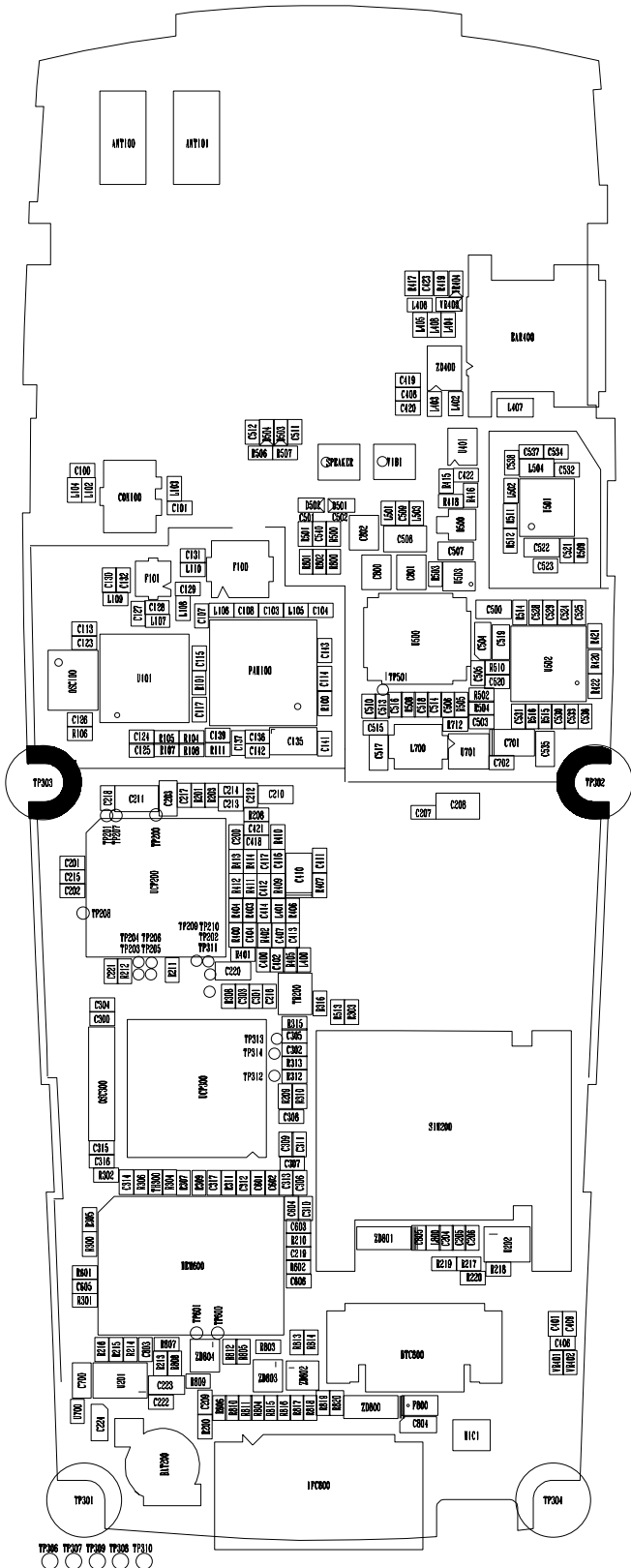
R704
R706
R707

STAR

0

SH

ASSY SOLD



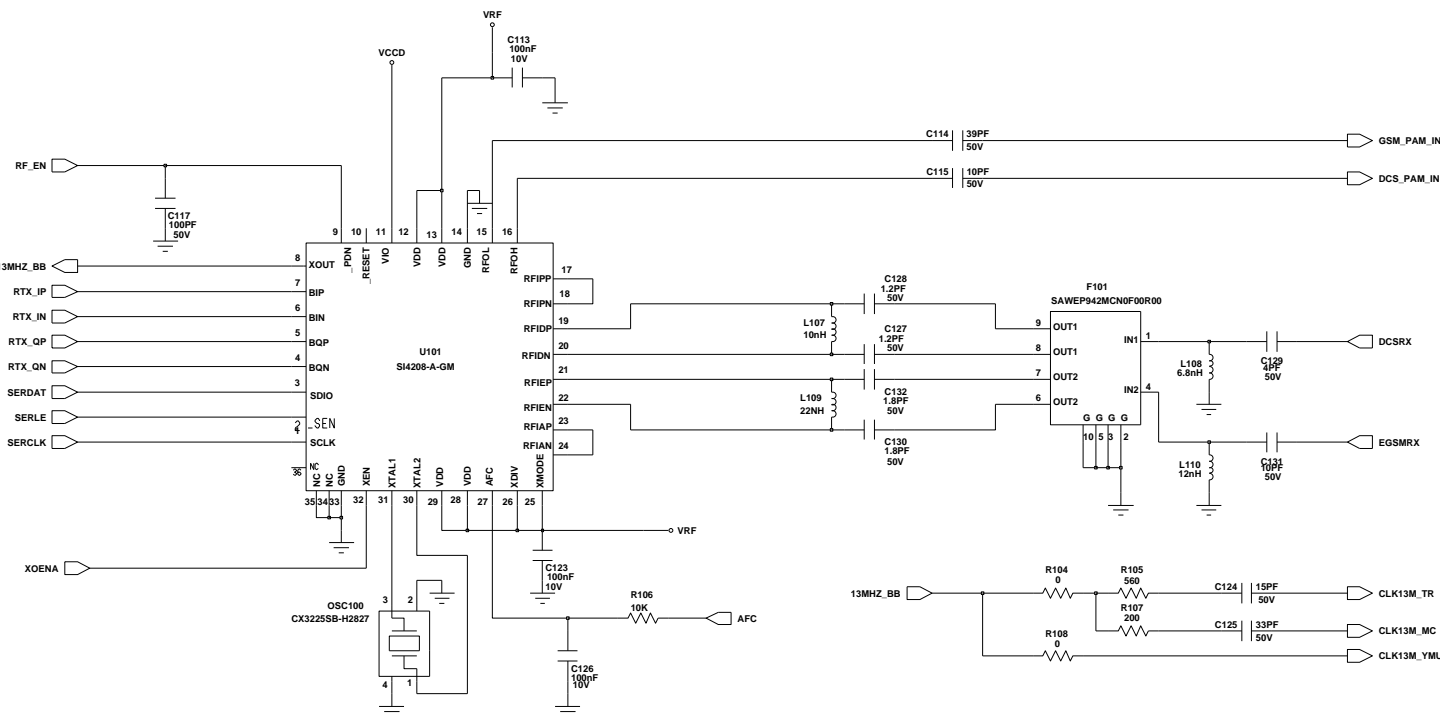
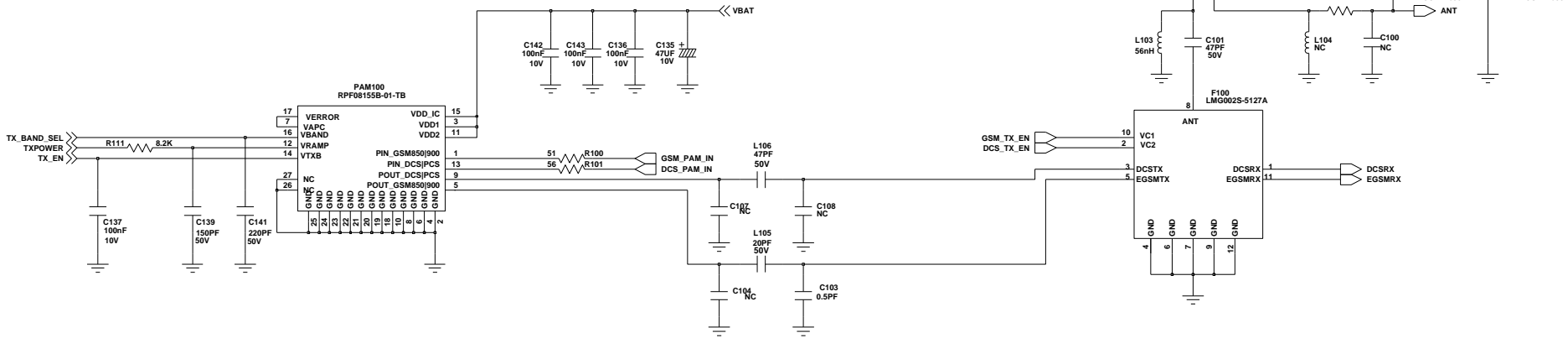
TP306 TP307 TP308 TP309 TP310

TP305

CN300

SAMSUNG PROPRIETARY

THIS DOCUMENT CONTAINS CONFIDENTIAL PROPRIETARY INFORMATION THAT IS SAMSUNG ELECTRONICS CO'S PROPERTY. DO NOT DISCLOSE TO OR DUPLICATE FOR OTHERS EXCEPT AS AUTHORIZED BY SAMSUNG.

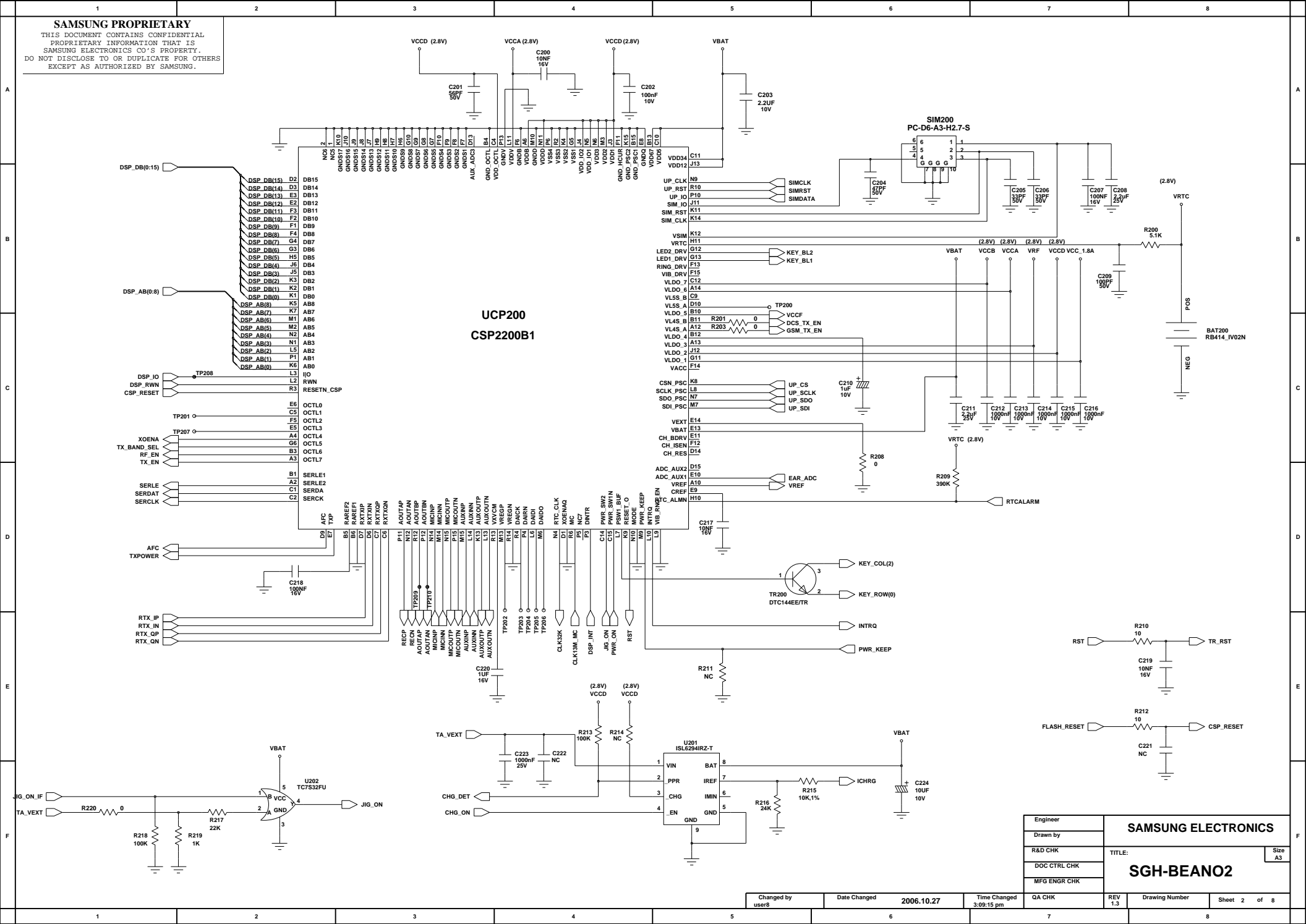


	VC1	VC2
EGSM TX	H	L
DCS TX	L	H
RX	L	L

Engineer	SAMSUNG ELECTRONICS		Size A3	
Drawn by				
R&D CHK				TITLE:
DOC CTRL CHK				SGH-BEANO2
MFG ENGR CHK				

SAMSUNG PROPRIETARY

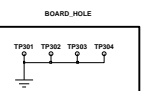
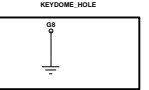
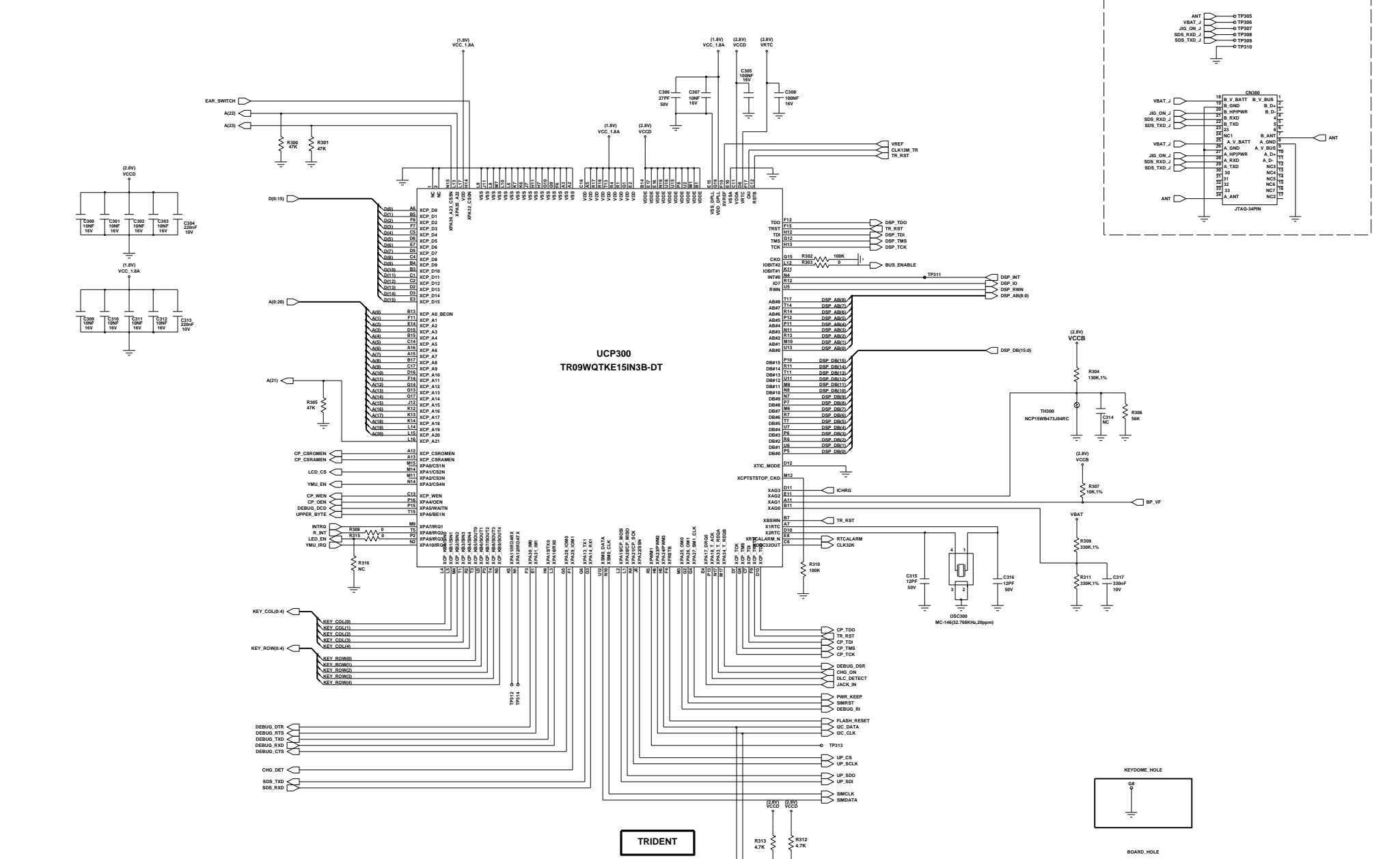
THIS DOCUMENT CONTAINS CONFIDENTIAL PROPRIETARY INFORMATION THAT IS SAMSUNG ELECTRONICS CO.'S PROPERTY. DO NOT DISCLOSE TO OR DUPLICATE FOR OTHERS EXCEPT AS AUTHORIZED BY SAMSUNG.



Engineer	SAMSUNG ELECTRONICS	
Drawn by		
R&D CHK	TITLE:	Size A3
DOC CTRL CHK	SGH-BEANO2	
MFG ENGR CHK		

SAMSUNG PROPRIETARY
 THIS DOCUMENT CONTAINS CONFIDENTIAL
 PROPRIETARY INFORMATION THAT IS
 SAMSUNG ELECTRONICS CO.'S PROPERTY.
 DO NOT DISCLOSE TO OR DUPLICATE FOR OTHERS
 EXCEPT AS AUTHORIZED BY SAMSUNG.

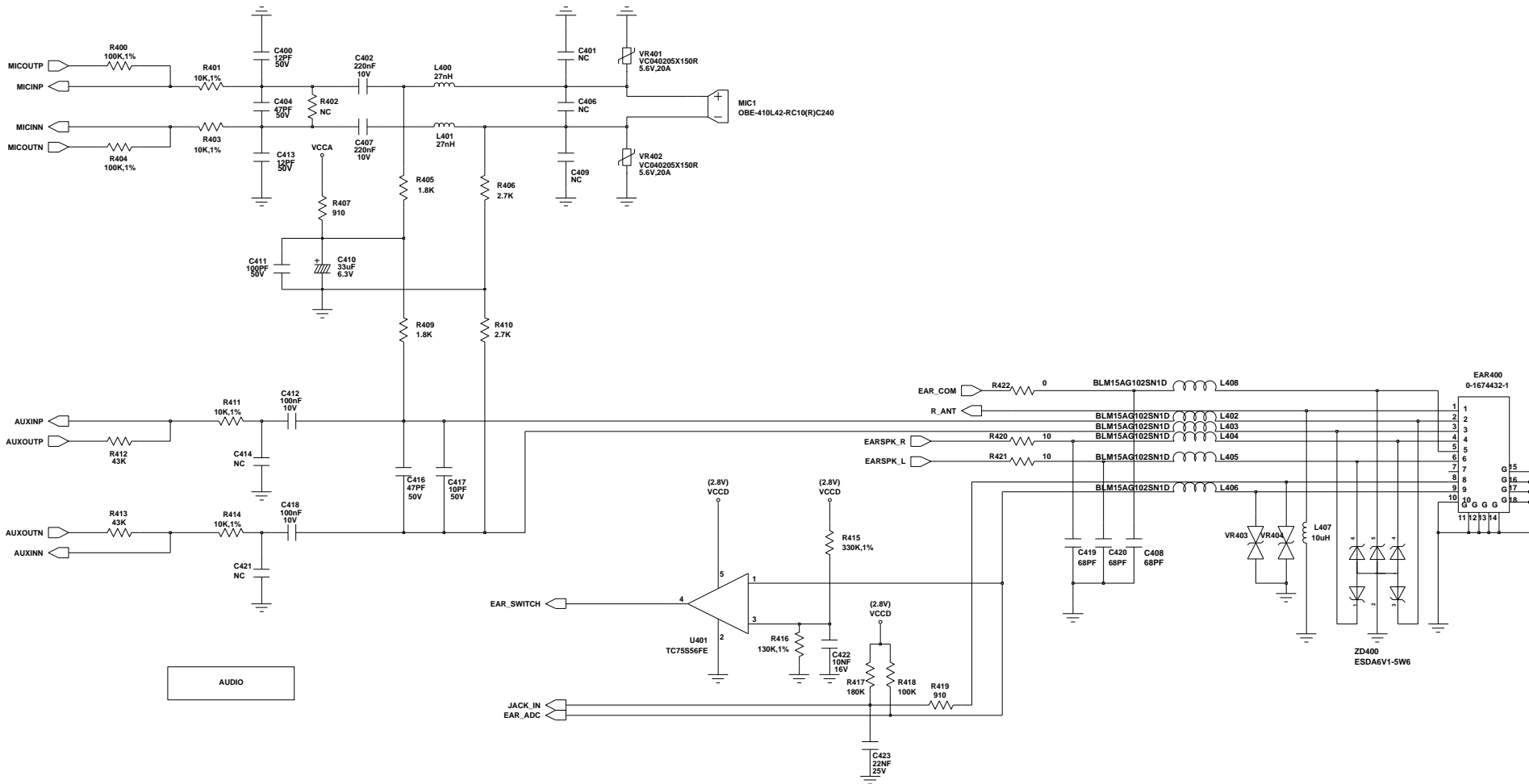
JTAG



Engineer		SAMSUNG ELECTRONICS	Sheet 22
Drawn by			
RAO CHK			
DDC CTRL CHK			
MP'S ENGR CHK		SGH-BEANO2	

SAMSUNG PROPRIETARY

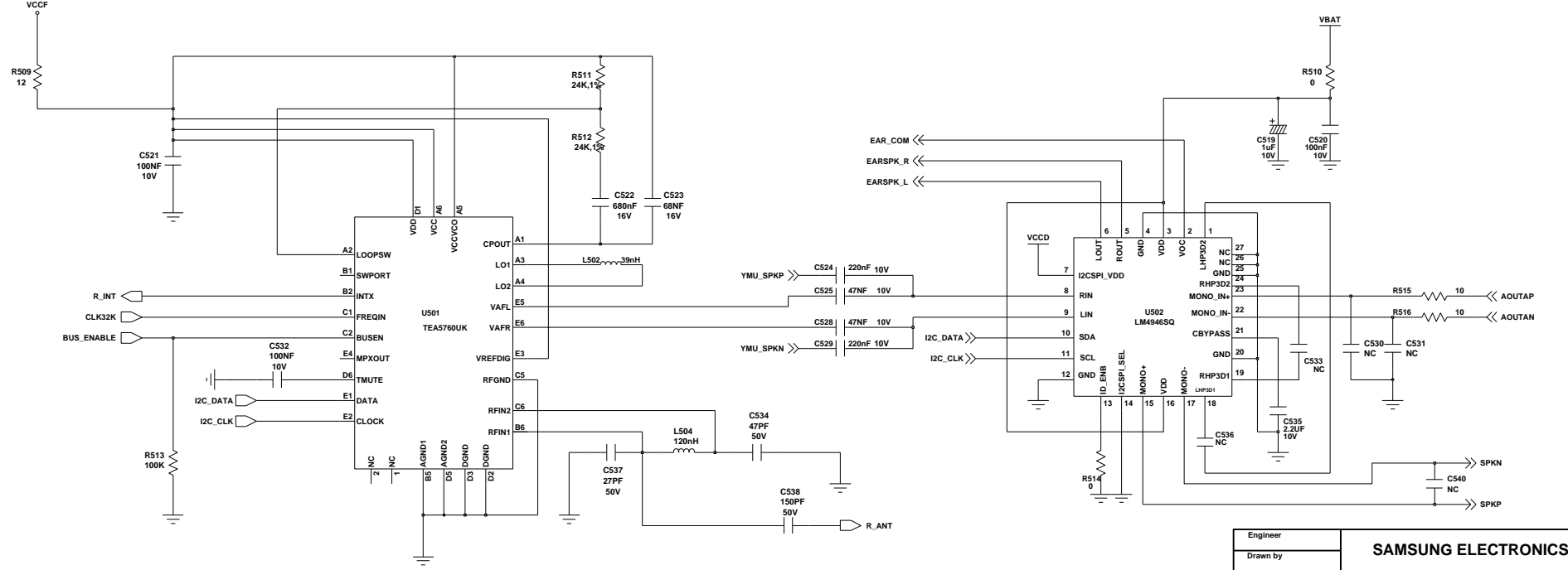
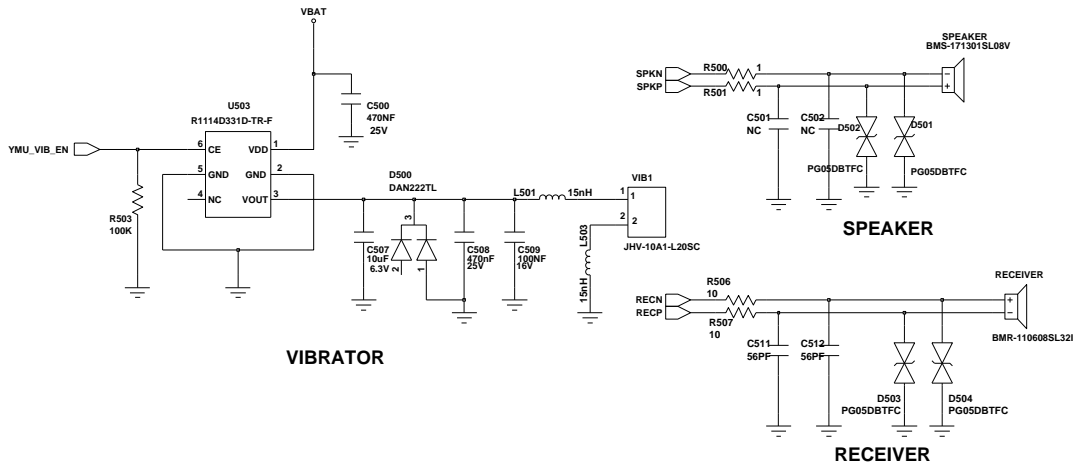
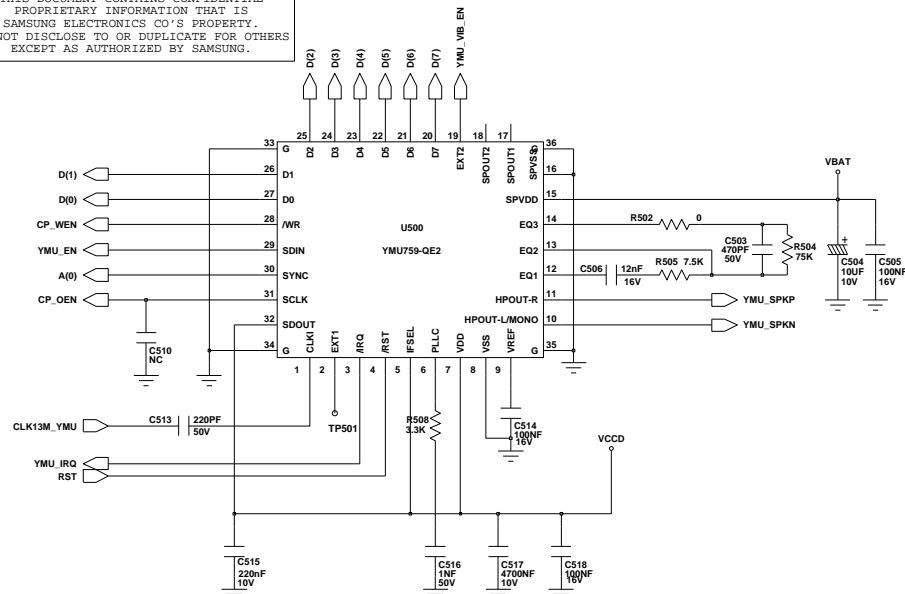
THIS DOCUMENT CONTAINS CONFIDENTIAL PROPRIETARY INFORMATION THAT IS SAMSUNG ELECTRONICS CO'S PROPERTY. DO NOT DISCLOSE TO OR DUPLICATE FOR OTHERS EXCEPT AS AUTHORIZED BY SAMSUNG.



Engineer	SAMSUNG ELECTRONICS		Size A3	
Drawn by				
R&D CHK				TITLE:
DOC CTRL CHK				SGH-BEANO2
MFG ENGR CHK				

Changed by user8	Date Changed 2006.10.27	Time Changed 3:10:51 pm	QA CHK	REV 1.3	Drawing Number	Sheet 4 of 8
---------------------	----------------------------	----------------------------	--------	------------	----------------	--------------

SAMSUNG PROPRIETARY
 THIS DOCUMENT CONTAINS CONFIDENTIAL
 PROPRIETARY INFORMATION THAT IS
 SAMSUNG ELECTRONICS CO.'S PROPERTY.
 DO NOT DISCLOSE TO OR DUPLICATE FOR OTHERS
 EXCEPT AS AUTHORIZED BY SAMSUNG.

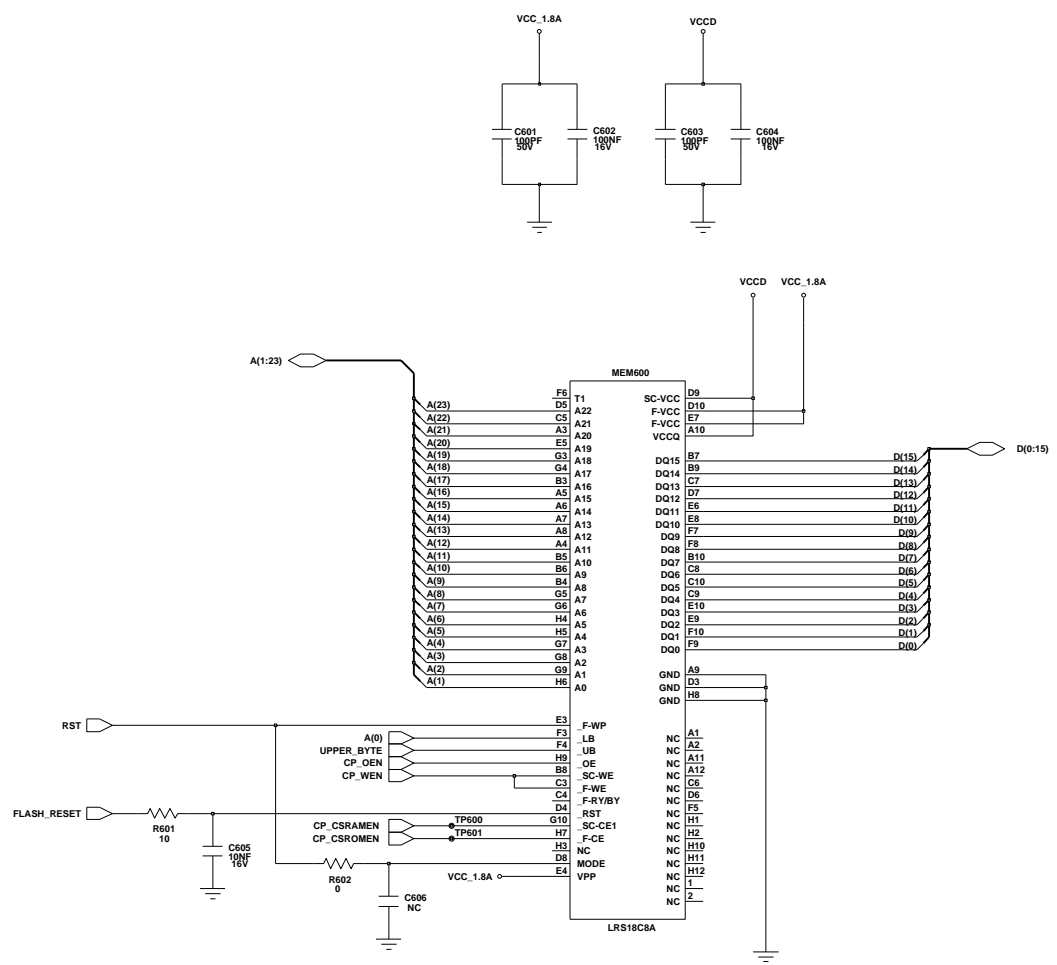


RADIO

Engineer	SAMSUNG ELECTRONICS	
Drawn by		
R&D CHK	TITLE:	Size A3
DOC CTRL CHK	SGH-BEANO2	
MFG ENGR CHK		

Changed by user8	Date Changed 2006.10.27	Time Changed 3:10:51 pm	GA CHK	REV 1.3	Drawing Number	Sheet 5 of 8
------------------	-------------------------	-------------------------	--------	---------	----------------	--------------

SAMSUNG PROPRIETARY
 THIS DOCUMENT CONTAINS CONFIDENTIAL
 PROPRIETARY INFORMATION THAT IS
 SAMSUNG ELECTRONICS CO.'S PROPERTY.
 DO NOT DISCLOSE TO OR DUPLICATE FOR OTHERS
 EXCEPT AS AUTHORIZED BY SAMSUNG.



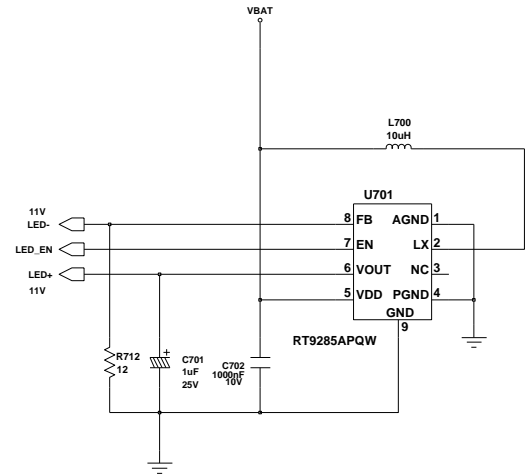
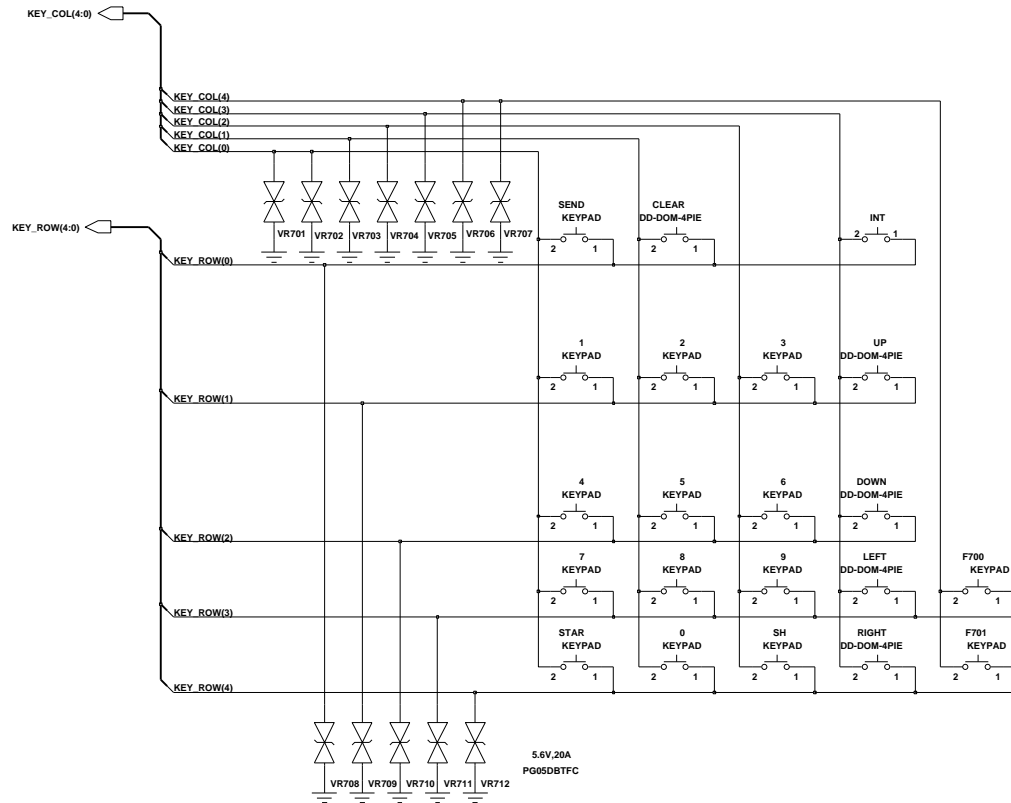
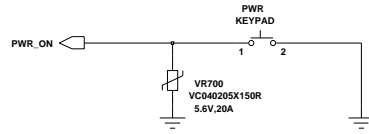
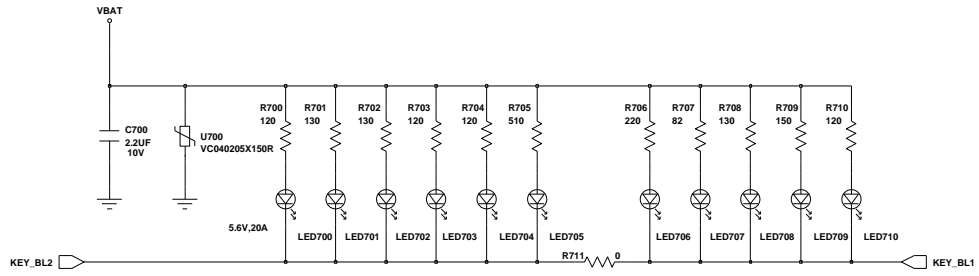
MEMORY

Engineer	SAMSUNG ELECTRONICS	Size A3
Drawn by		
R&D CHK		
DOC CTRL CHK		
MFG ENGR CHK		
SGH-BEANO2		

Changed by user8	Date Changed 2006.10.27	Time Changed 3:11:09 pm	QA CHK	REV 1.2	Drawing Number	Sheet 6 of 8
---------------------	----------------------------	----------------------------	--------	------------	----------------	--------------

SAMSUNG PROPRIETARY

THIS DOCUMENT CONTAINS CONFIDENTIAL PROPRIETARY INFORMATION THAT IS SAMSUNG ELECTRONICS CO'S PROPERTY. DO NOT DISCLOSE TO OR DUPLICATE FOR OTHERS EXCEPT AS AUTHORIZED BY SAMSUNG.

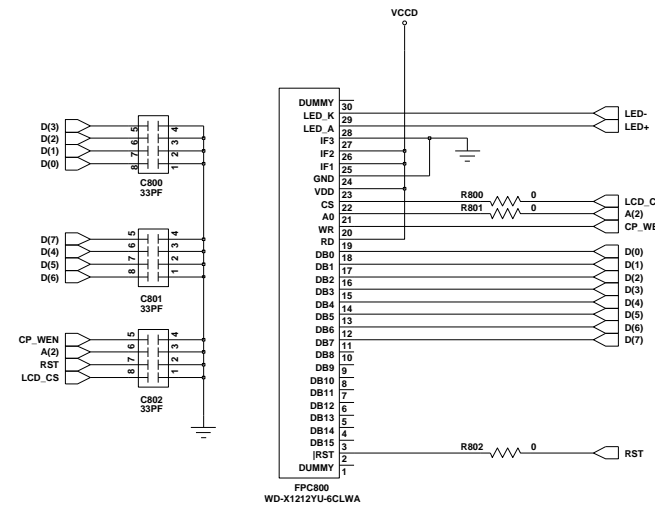


LCD BACKLIGHT

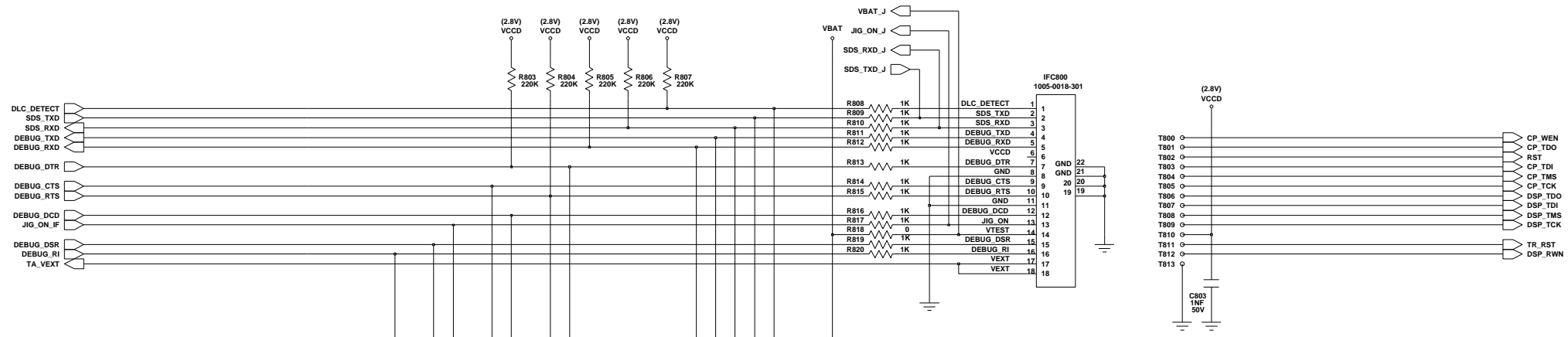
Engineer	SAMSUNG ELECTRONICS		Size
Drawn by			A3
R&D CHK	TITLE:	SGH-BEANO2	
DOC CTRL CHK			
MFG ENGR CHK			

Changed by user8	Date Changed 2006.10.27	Time Changed 3:12:05 pm	QA CHK	REV 1.3	Drawing Number	Sheet 7 of 8
---------------------	----------------------------	----------------------------	--------	------------	----------------	--------------

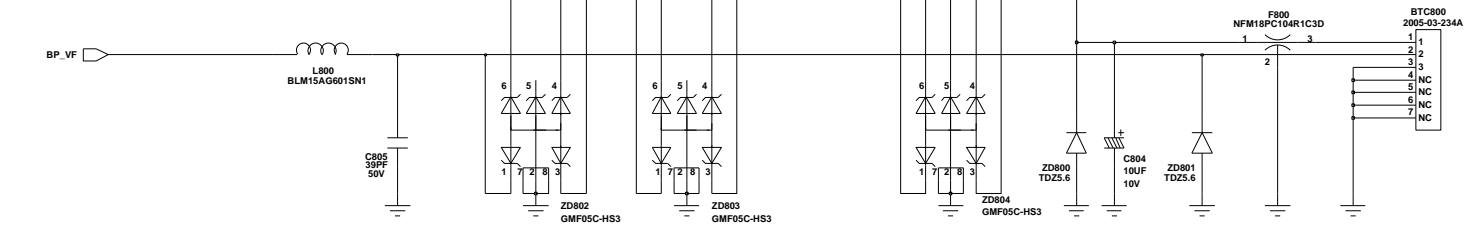
SAMSUNG PROPRIETARY
 THIS DOCUMENT CONTAINS CONFIDENTIAL
 PROPRIETARY INFORMATION THAT IS
 SAMSUNG ELECTRONICS CO'S PROPERTY.
 DO NOT DISCLOSE TO OR DUPLICATE FOR OTHERS
 EXCEPT AS AUTHORIZED BY SAMSUNG.



LCD CONNECTOR



JTAG CON



I/F CONNECTOR

Engineer	SAMSUNG ELECTRONICS			
Drawn by				
R&D CHK			TITLE:	Size A3
DOC CTRL CHK			SGH-BEANO2	
MFG ENGR CHK				