

VIB1

SPEAKER

CN700

F1

LEFT

UP

INT

RIGHT

F2

SEND

DOWN

CLEAR

PWR

1

2

3

4

5

6

7

8

9

*

0

SH

C6

C6

C7

- TP711
- TP213
- TP710
- TP708
- TP709
- TP707
- TP712
- TP714

TP207

TP205

TP204

R603
L601
L602

R610
L609

R602
L608
L603
R607
R601

R605
L606
L610

R604
R602
L602
R608
V609

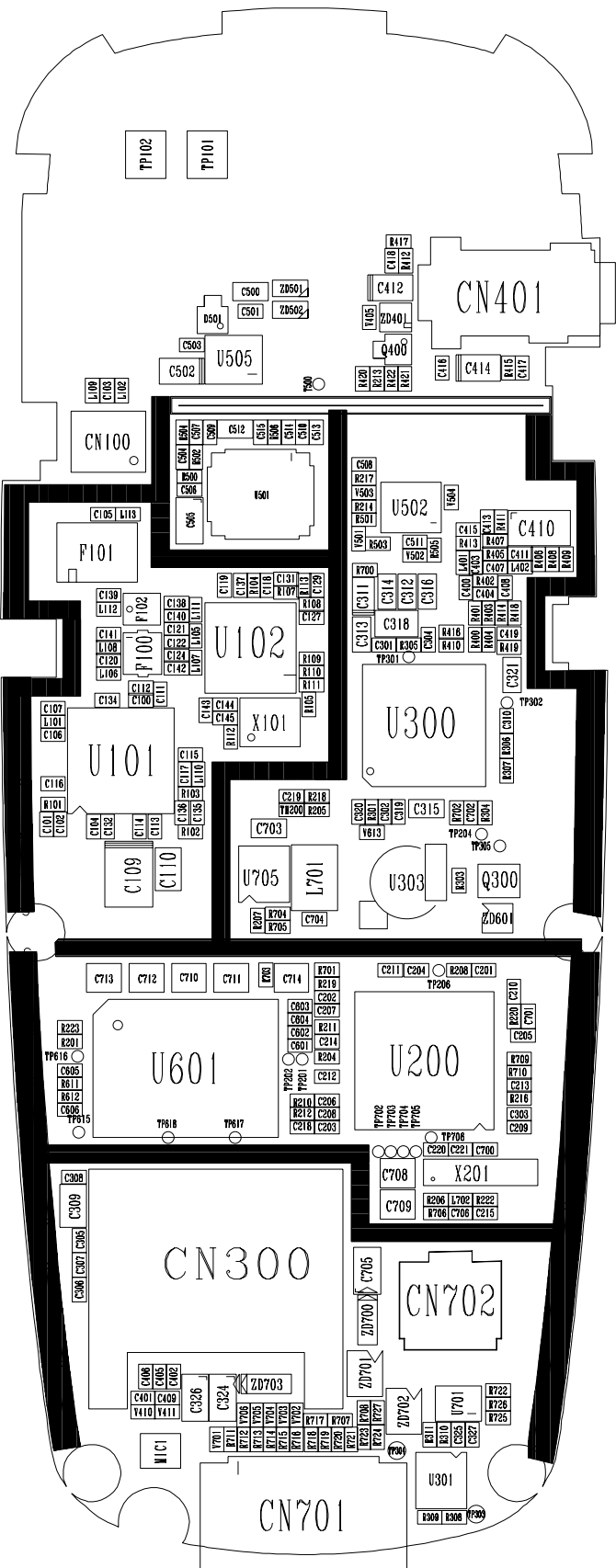
TP204
V605
L606

R604
L604

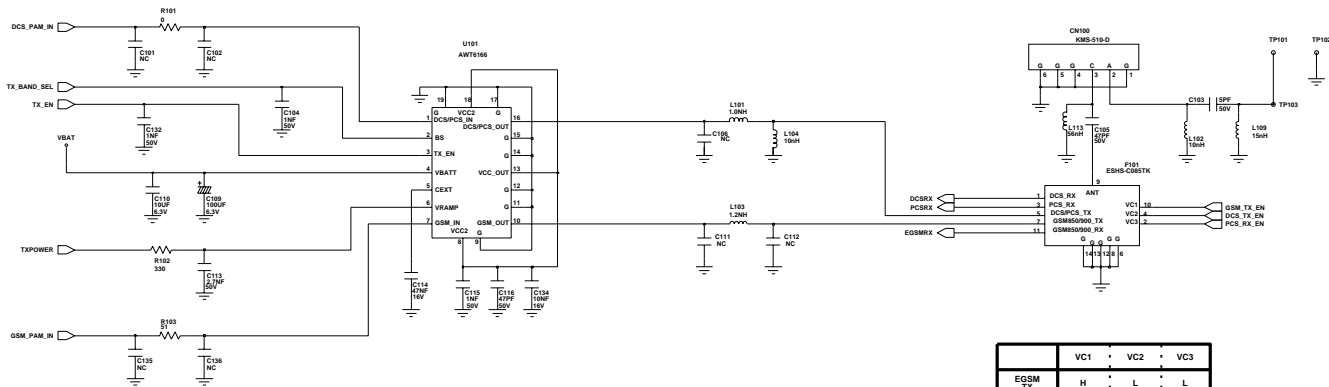
V601
L606
R608

V612
L607
R607

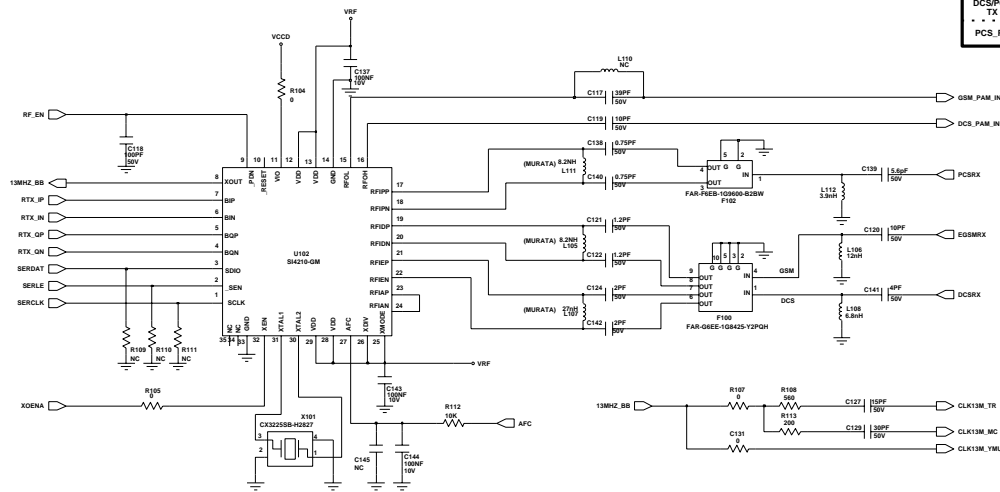
L605
R605



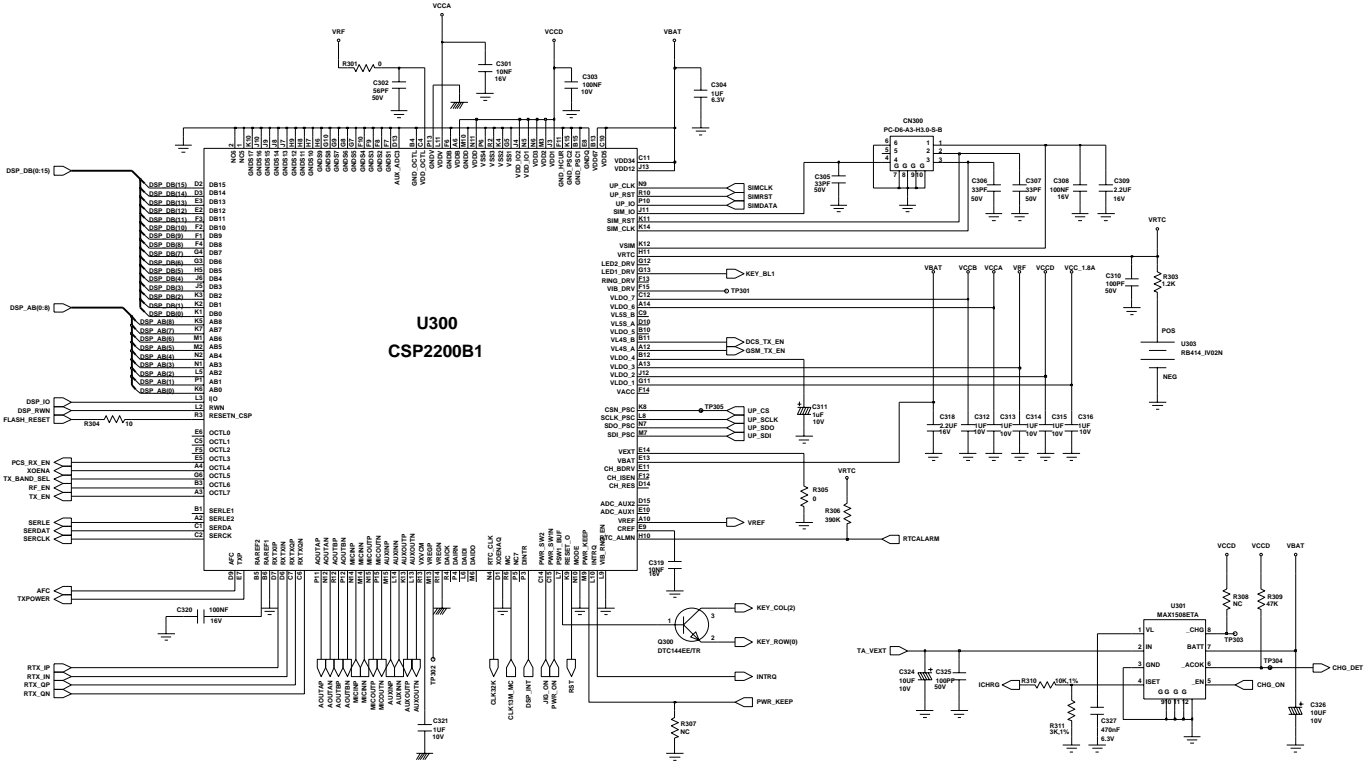
NC5	NC6	NC7	NC8	NC9	NC10	NC11	NC12	NC13	SPK+	SPK	NC1+	NC1	NC2	NC3	NC4	NC16
TEST	TP0	TP1	TP5	TPX	P_BC	VBAT	GN	HP_PRR	RX	TX	NC1	NC2	NC3	NC4	TP108	



	VC1	VC2	VC3
EGSM TX	H	L	L
DCS/PCS TX	L	H	L
PCS RX	L	L	H



Engineer		SAMSUNG ELECTRONICS	
Drawn by			
R&D CHK		TITLE: SGH-C210	
DOC CTRL CHK		Size AS	
MFG ENGR CHK		SGH-C210	

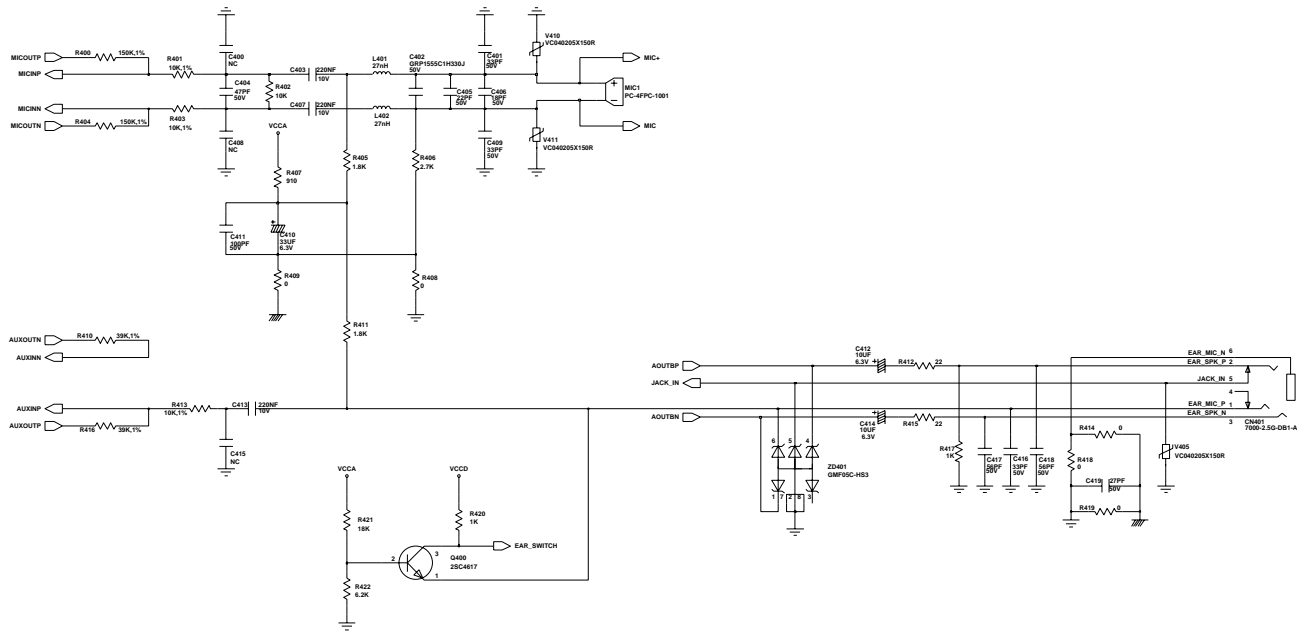


**U300
CSP2200B1**

GEMINI

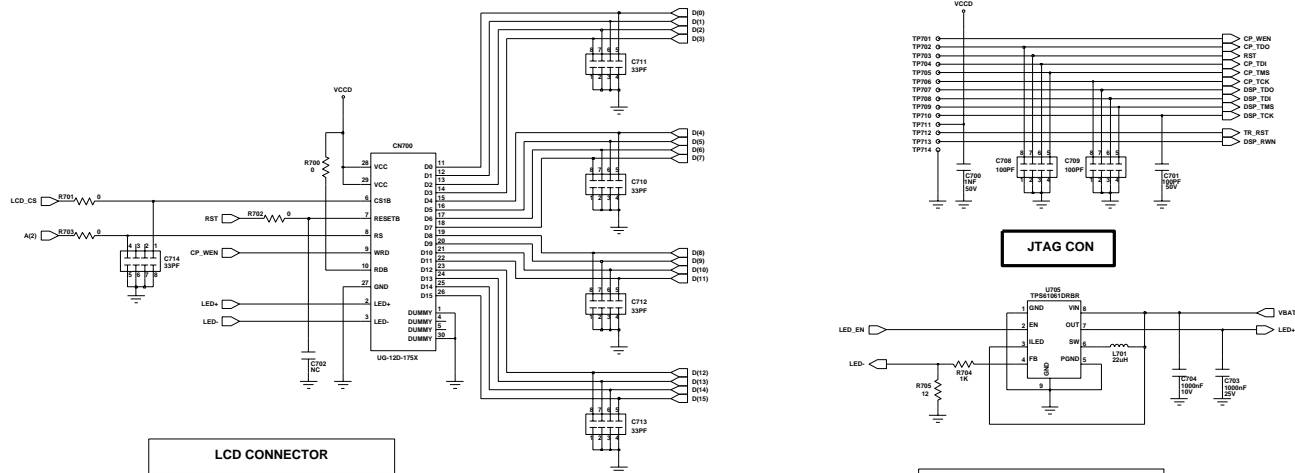
CHARGER

Engineer	SAMSUNG ELECTRONICS TITLE: SGH-C210 Size AS
Drawn by	
R&D CHK	
DQC CTRL CHK	
MFG ENGR CHK	



AUDIO

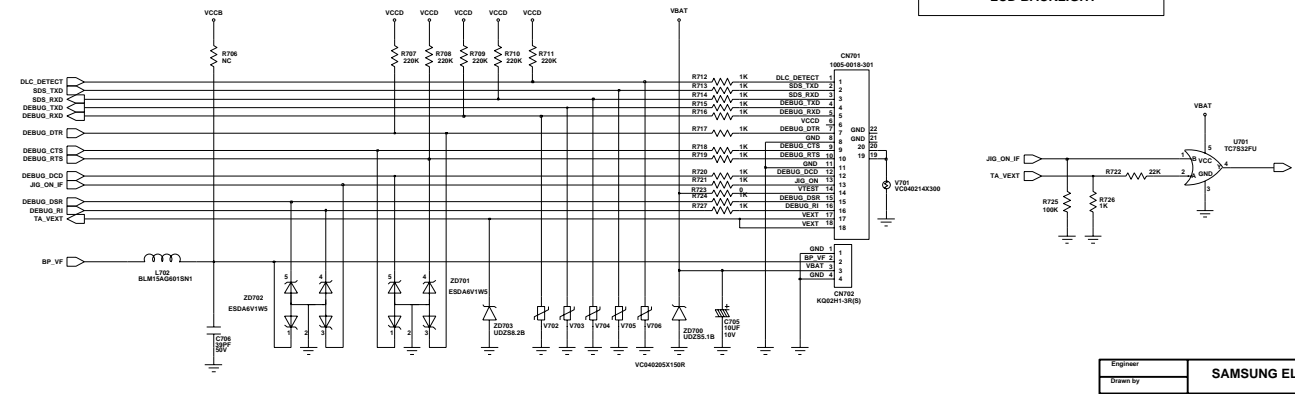
Engineer	SAMSUNG ELECTRONICS				
Drawn by					
RD/CHK				TITLE:	Size A3
DOC CTRL CHK				SGH-C210	
MFG ENGR CHK	REV	Drawing Number	Sheet 4 of 7		



LCD CONNECTOR

JTAG CON

LCD BACKLIGHT



I/F CONNECTOR

Engineer	SAMSUNG ELECTRONICS		
Drawn by			
RAJ CNK	TITLE:	Size AS	
DOC CTRL CHK	SGH-C210		
MFG ENGR CHK			