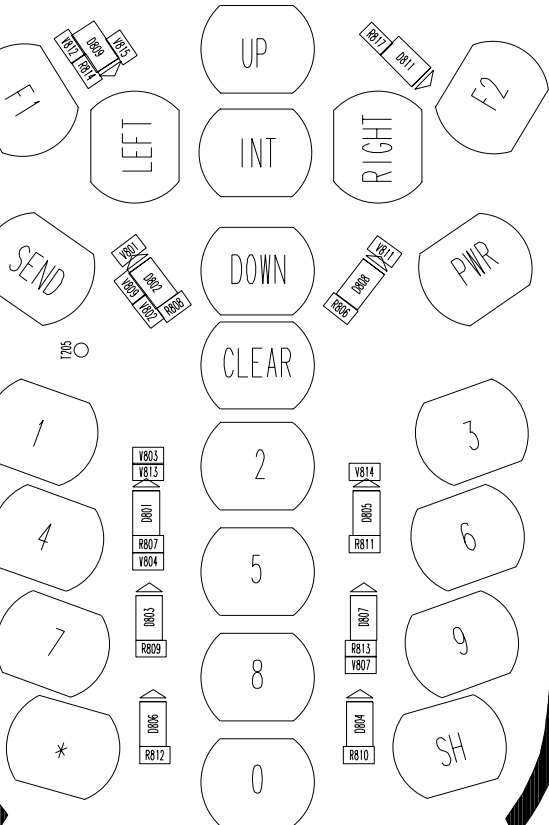


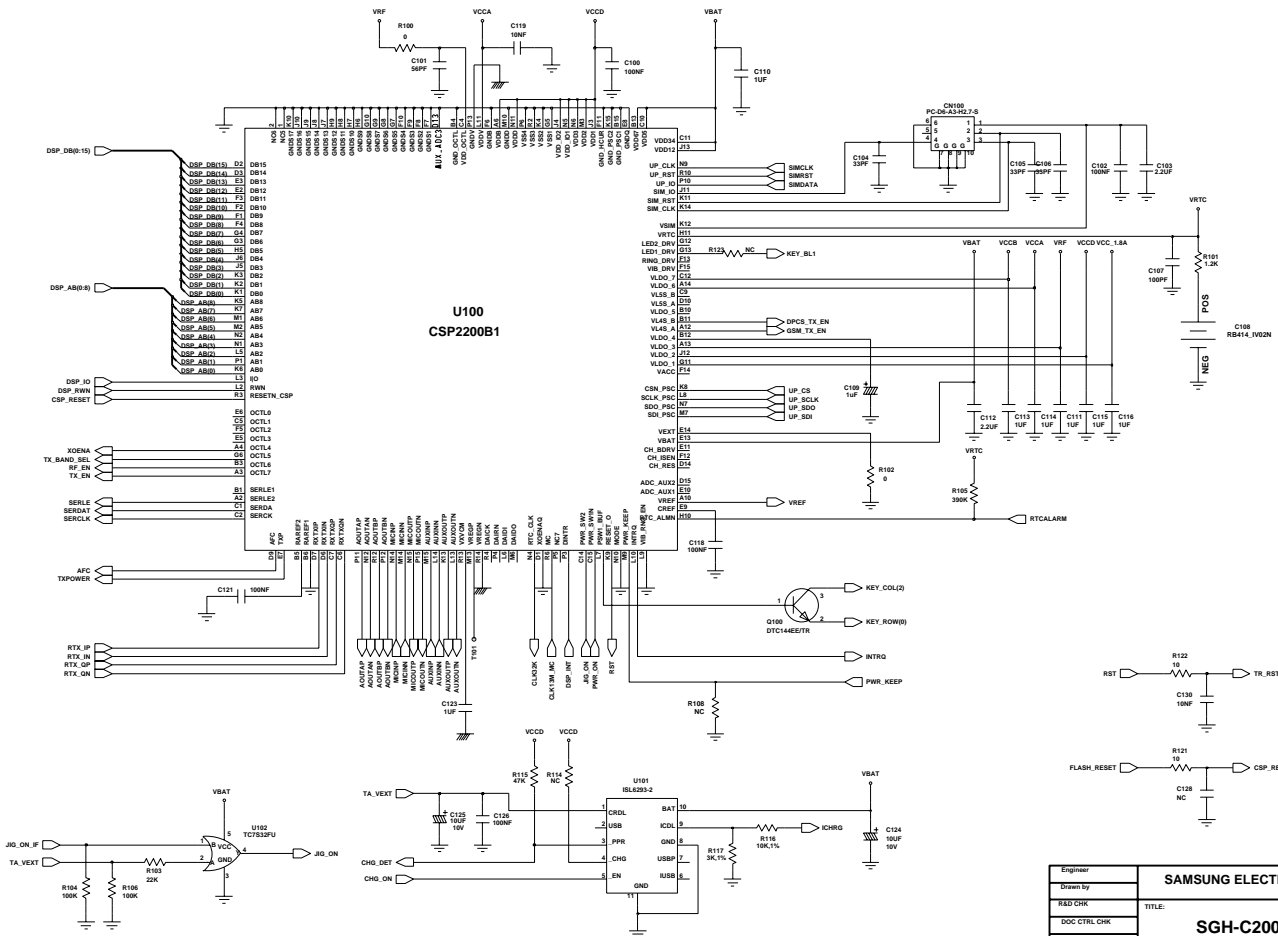
SPEAKER

V1B1

CN200

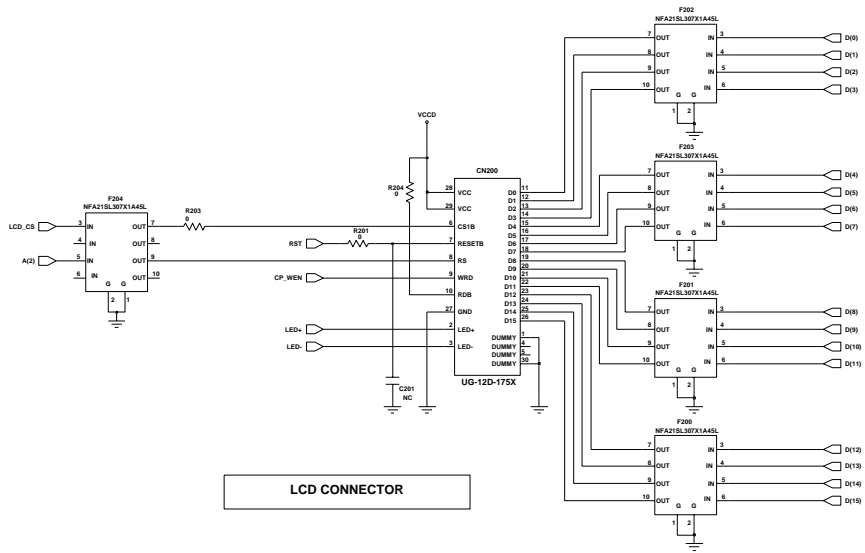




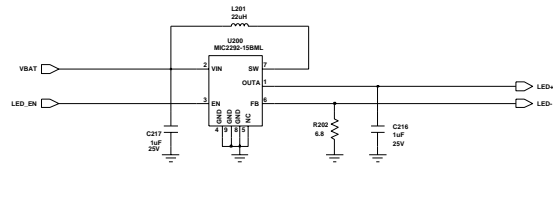


U100  
CSP2200B1

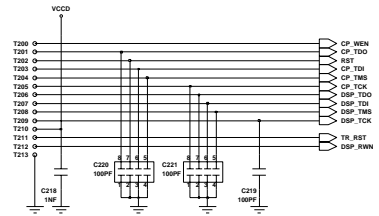
Engineer	SAMSUNG ELECTRONICS		
Drawn by			
RD/CHK	TITLE: <b>SGH-C200</b>		
DOC CTRL/CHK	Size A3		
MFG ENGR/CHK	<b>SGH-C200</b>		



LCD CONNECTOR



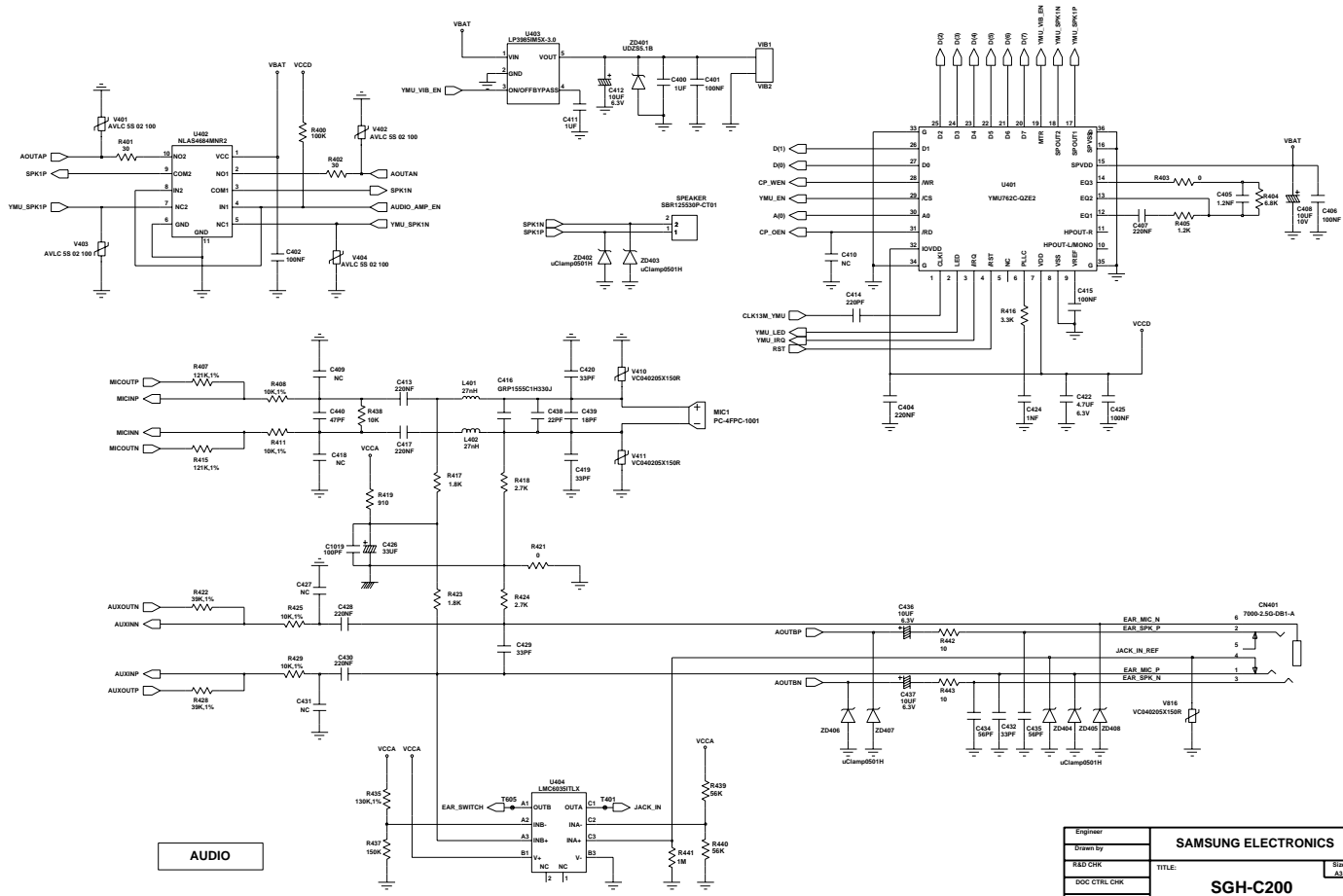
LCD BACKLIGHT



JTAG CON

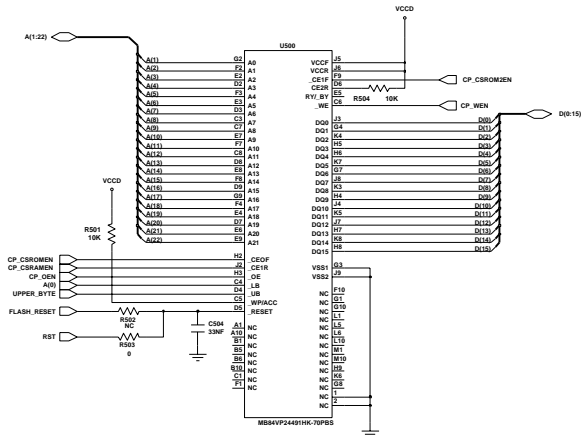
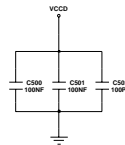
Engineer	SAMSUNG ELECTRONICS		Size
Drawn by	TITLE:		AS
RD/CHK	SGH-C200		
DOC CTRL/CHK			
MFG ENDR/CHK			





**AUDIO**

Engineer	<b>SAMSUNG ELECTRONICS</b>		
Drawn by	TITLE: <b>SGH-C200</b>		
REV: 2.4	DATE: 2004.08.30	TIME: 1:19:51 pm	Sheet 4 of 9

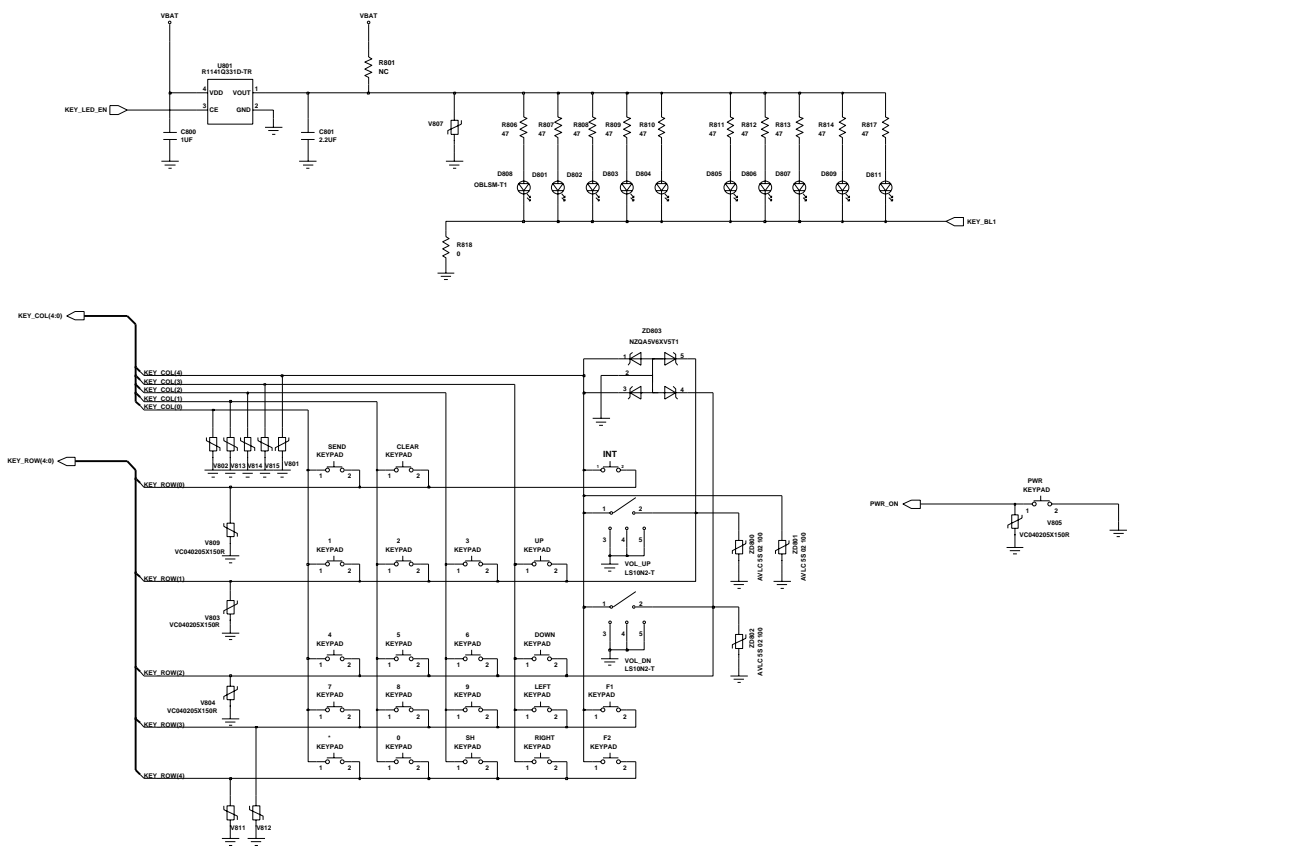


MEMORY

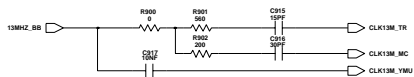
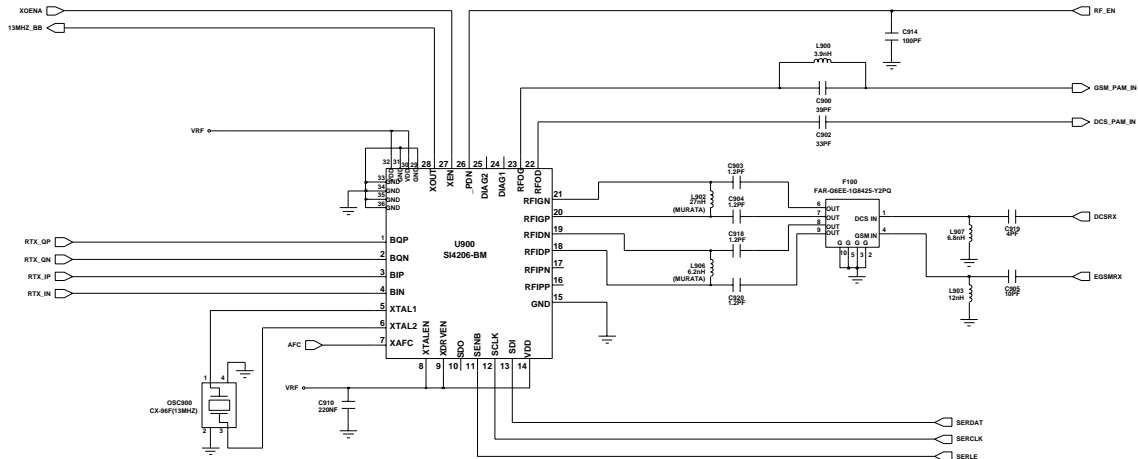
Engineer	<b>SAMSUNG ELECTRONICS</b>		Size A3	
Drawn by				
R&D CHK				TITLE:
DWG CTRL CHK				<b>SGH-C200</b>
MFG ENDR CHK				



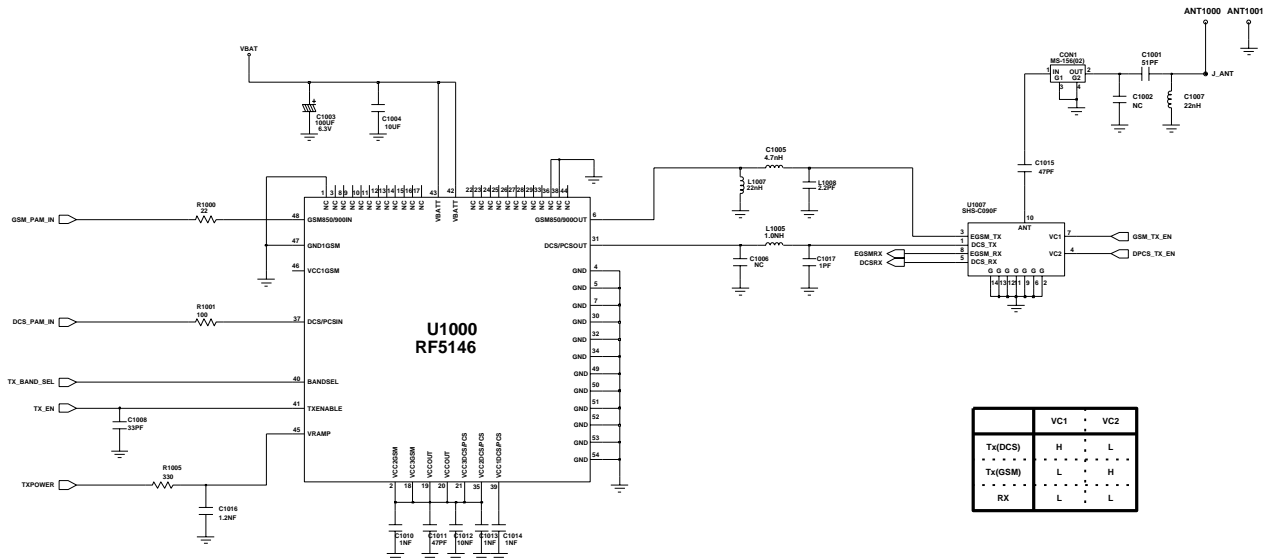




Engineer	<b>SAMSUNG ELECTRONICS</b>	
Drawn by	TITLE:	Size
R&D CHK		AS
DOC CTRL CHK	<b>SGH-C200</b>	
MFG ENGR CHK		



Engineer	<b>SAMSUNG ELECTRONICS</b>				
Drawn by					
RAO-TSK				TITLE:	Size A3
DOC CTRL CHK				<b>SGH-C200</b>	
WFO ENDR CHK					



**U1000  
RF5146**

	VC1	VC2
Tx(DCS)	H	L
Tx(GSM)	L	H
Rx	L	L

Engineer	<b>SAMSUNG ELECTRONICS</b>		
Drawn by			
RFU-TSK			TITLE:
DCIC CTRL CHK			<b>SGH-C200</b>
RFU ENDR CHK	Size AS		