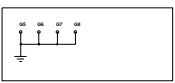
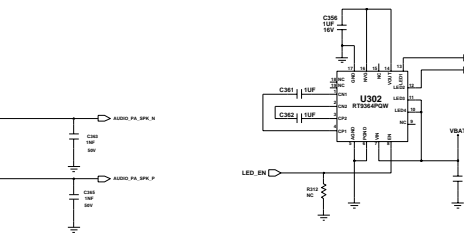
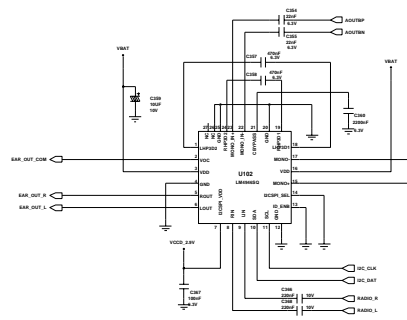
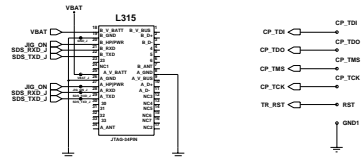
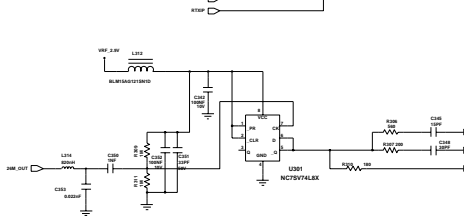
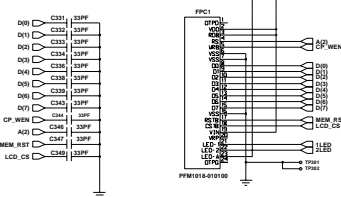
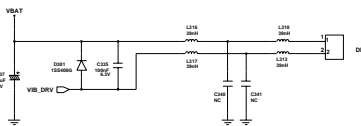
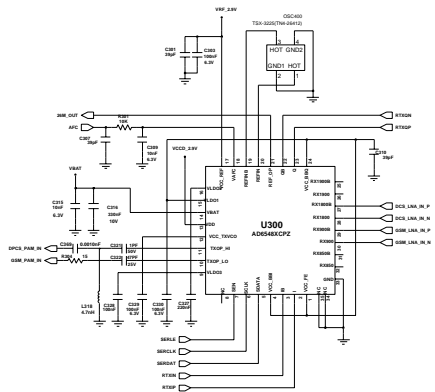
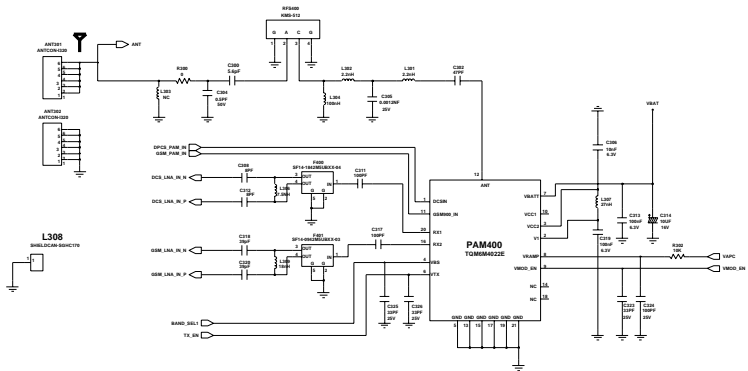
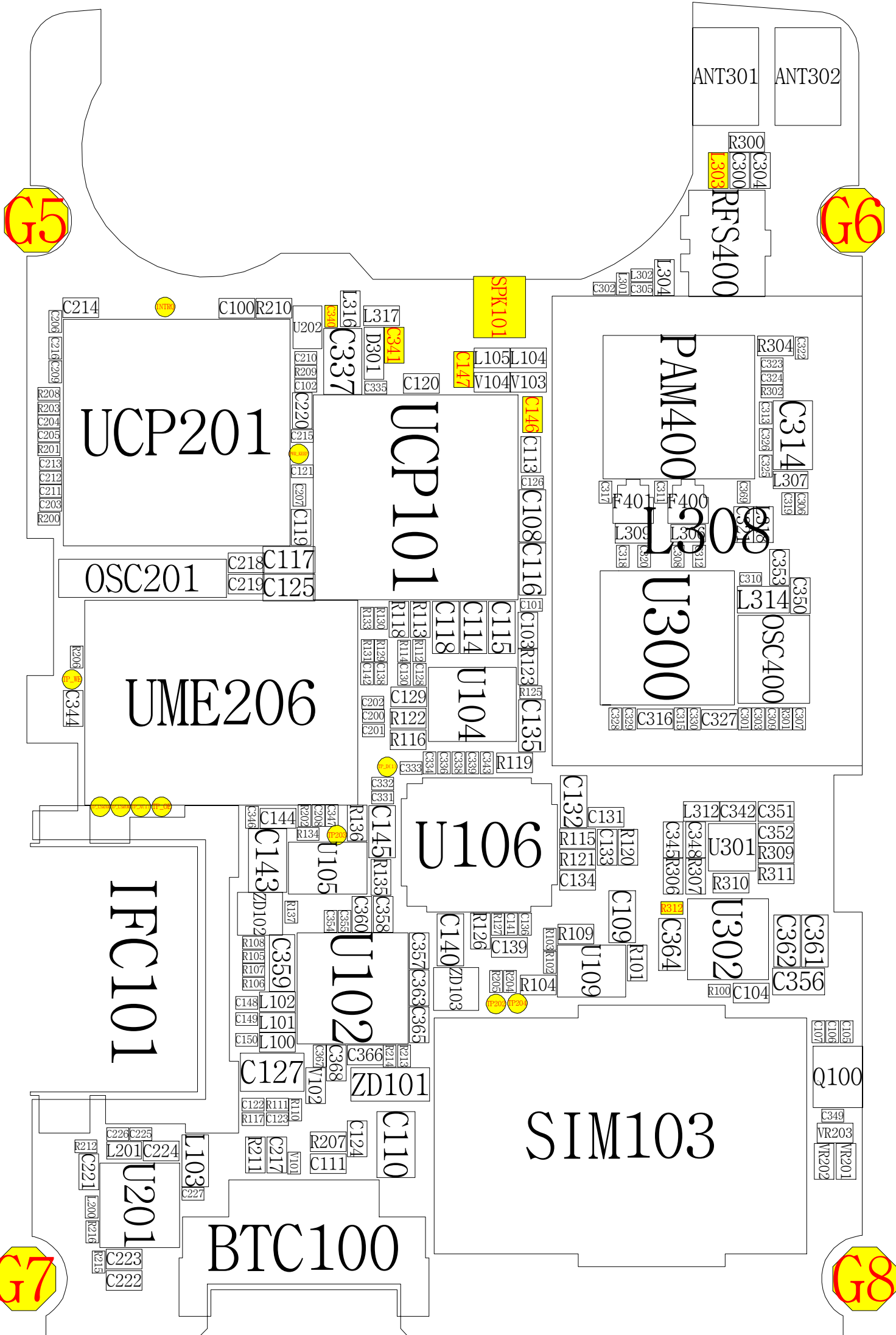


Logo	COMPANY NAME
Address	Address
City	City
TITLE	
SGH-C170_REV1.2	
KEY	KEY
DRAWING NUMBER	Sheet 2 of 3



Engineer	COMPANY NAME
Checked by	DATE
Rev. No.	Address
DESCRIPTION	CITY
MANUFACTURER	
SGH-C170_REV1.2	



L315

