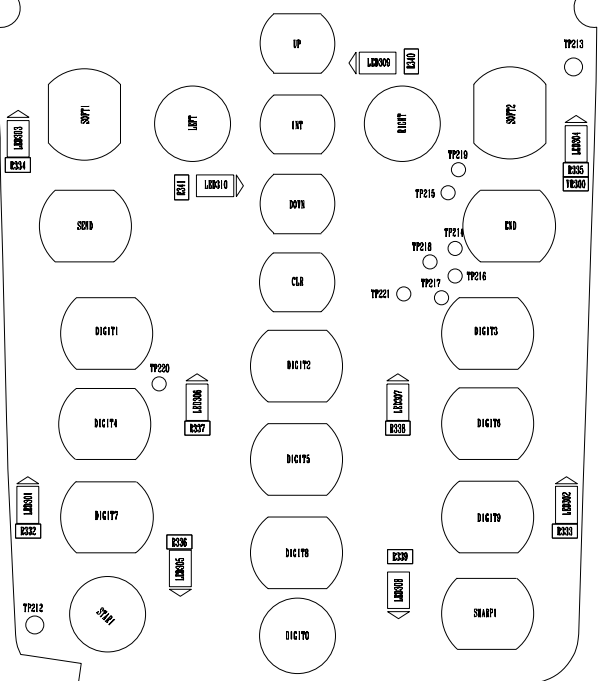
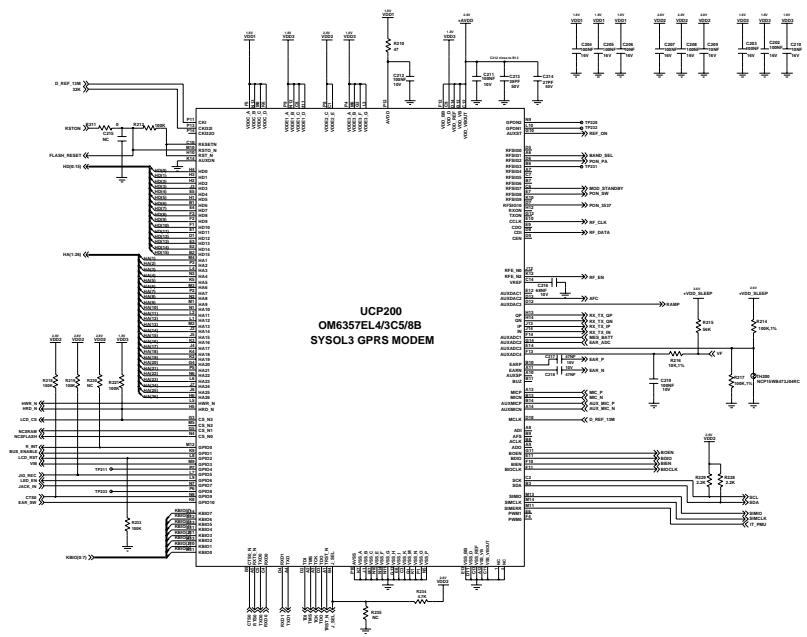


874	
L501	L500
D501	M500
C501	C502

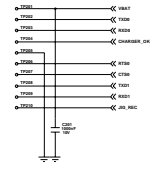
SLC500



SAMSUNG PROPRIETARY
 THIS DOCUMENT CONTAINS CONFIDENTIAL
 INFORMATION. REPRODUCTION OF THIS DOCUMENT
 WITHOUT PERMISSION OF SAMSUNG IS PROHIBITED.
 ALL RIGHTS RESERVED TO SAMSUNG ELECTRONICS CO., LTD.
 © 2004 SAMSUNG ELECTRONICS CO., LTD. ALL RIGHTS RESERVED.



**UCP200
 OM6357EL4/3C/8B
 SYSOL3 GPRS MODEM**



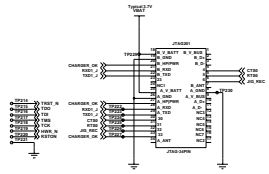
DL TEST POINT



BOSS HOLE



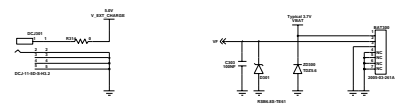
DOME SHEET HOLE



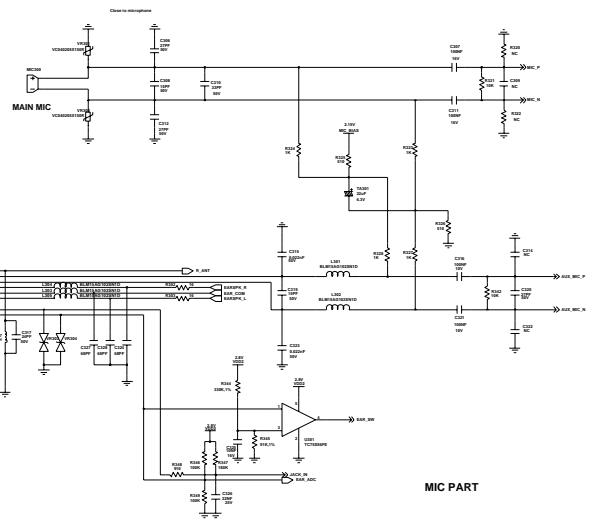
JTAG

Engineer	SAMSUNG ELECTRONICS
Drawn by	SHIL
Checked by	SHIL
Approved by	SHIL
Part No.	SGH-C160(VIRTUOUS)

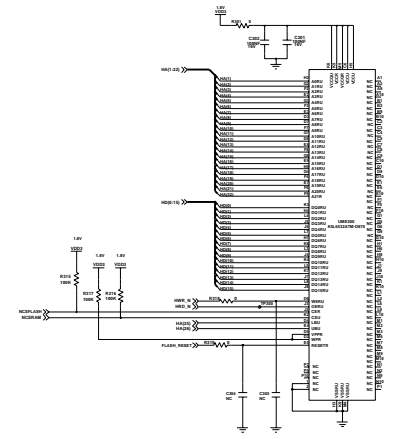
SAMSUNG PROPRIETARY
 THIS DOCUMENT CONTAINS CONFIDENTIAL
 INFORMATION. DISCLOSURE OF THIS OR
 ANY INFORMATION CONTAINED HEREIN TO
 ANY PERSON OTHER THAN THE ADDRESSEE
 IS STRICTLY PROHIBITED BY SAMSUNG ELECTRONICS CO.



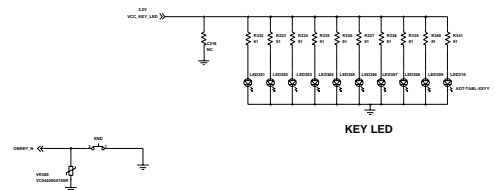
IO CONNECTOR



MIC PART



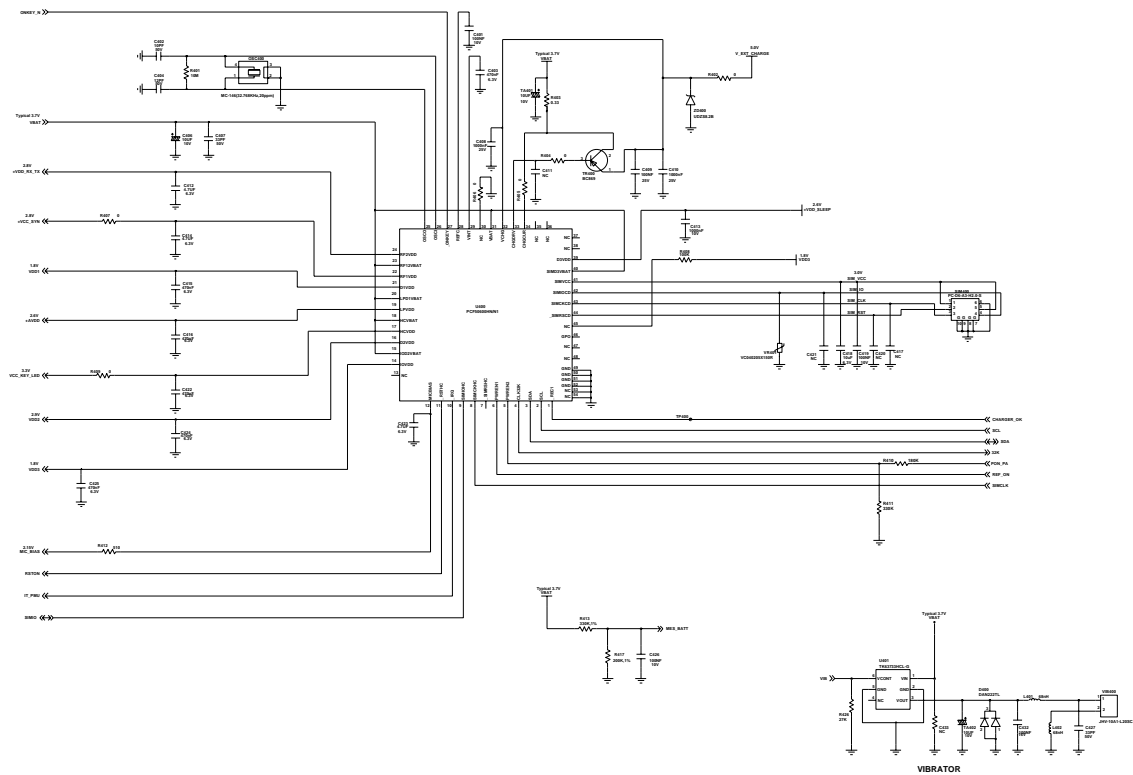
MEMORY



POWER KEY

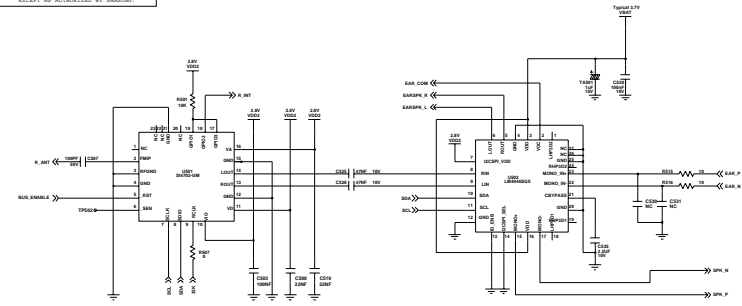
Engineer	SAMSUNG ELECTRONICS	
Drawn by	SILE	
Check by	SILE	
Approved by	SAMSUNG ELECTRONICS	
	SGH-C160(VIRTUOUS)	
Part No.	Rev.	Sheet 3 of 4

SAMSUNG PROPRIETARY
 THIS DOCUMENT CONTAINS SENSITIVE AND CONFIDENTIAL INFORMATION.
 THE INFORMATION CONTAINED HEREIN IS UNCLASSIFIED EXCEPT WHERE SHOWN OTHERWISE.
 REPRODUCTION OR TRANSMISSION OF THIS INFORMATION IS PROHIBITED WITHOUT THE WRITTEN PERMISSION OF SAMSUNG ELECTRONICS CO., LTD.

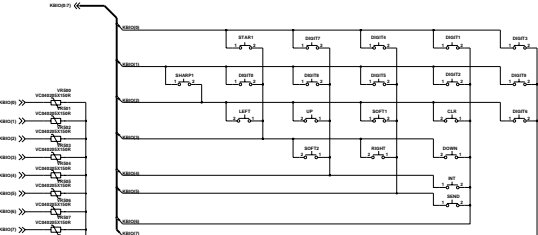


CP000	100
CP001	100
CP002	100
CP003	100
CP004	100
CP005	100
CP006	100
CP007	100
CP008	100
CP009	100
CP010	100
CP011	100
CP012	100
CP013	100
CP014	100
CP015	100
CP016	100
CP017	100
CP018	100
CP019	100
CP020	100
CP021	100
CP022	100
CP023	100
CP024	100
CP025	100
CP026	100
CP027	100
CP028	100
CP029	100
CP030	100
CP031	100
CP032	100
CP033	100
CP034	100
CP035	100
CP036	100
CP037	100
CP038	100
CP039	100
CP040	100
CP041	100
CP042	100
CP043	100
CP044	100
CP045	100
CP046	100
CP047	100
CP048	100
CP049	100
CP050	100
CP051	100
CP052	100
CP053	100
CP054	100
CP055	100
CP056	100
CP057	100
CP058	100
CP059	100
CP060	100
CP061	100
CP062	100
CP063	100
CP064	100
CP065	100
CP066	100
CP067	100
CP068	100
CP069	100
CP070	100
CP071	100
CP072	100
CP073	100
CP074	100
CP075	100
CP076	100
CP077	100
CP078	100
CP079	100
CP080	100
CP081	100
CP082	100
CP083	100
CP084	100
CP085	100
CP086	100
CP087	100
CP088	100
CP089	100
CP090	100
CP091	100
CP092	100
CP093	100
CP094	100
CP095	100
CP096	100
CP097	100
CP098	100
CP099	100
CP100	100

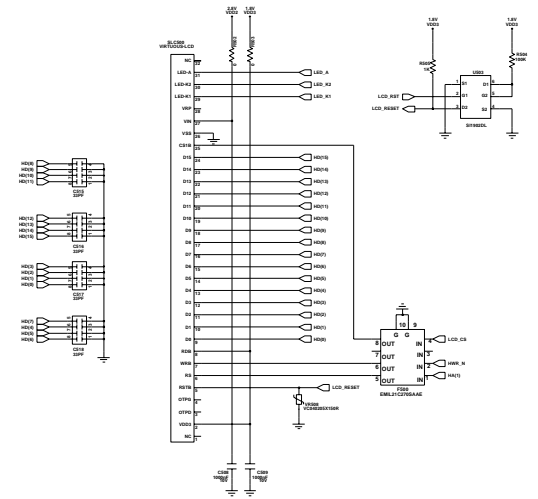
Engineer	SAMSUNG ELECTRONICS
Checked by	SHILU
Approved by	
Manufactured by	SGH-C160(VIRTUOUS)
Rev	1.0



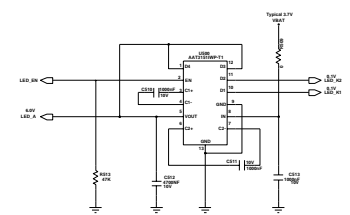
FM RADIO & Audio



MAIN KEY MAP



LCD CONNECTOR



LCD BACKLIGHT

Engineer	SAMSUNG ELECTRONICS
Checked by	DATE
Rev. No.	REV. NO.
DATE	DATE
DATE	DATE
DATE	DATE

Samsung
SGH-C160(VIRTUOUS)