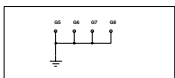
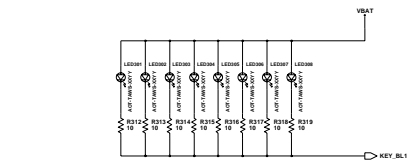
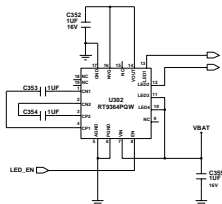
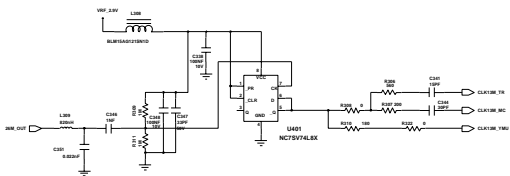
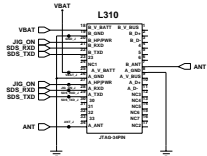
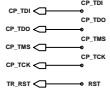
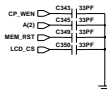
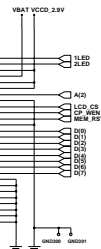
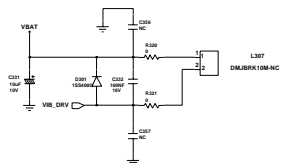
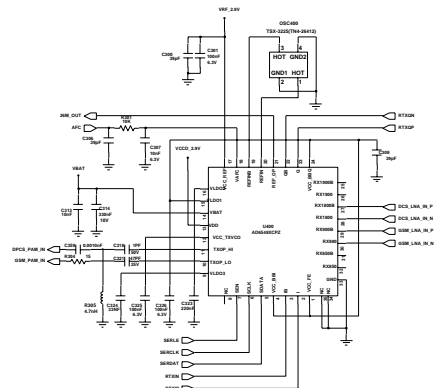
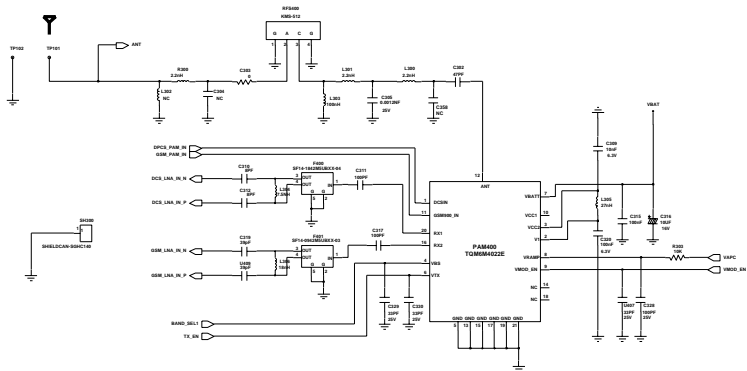


Drawing Number

Engineer	COMPANY NAME
Drawn by	TITLE
Checked by	Address
Approved by	City
	STATE
	SGH-C140_REV0.6



BOTHHOLE

ANT.

TP101

TP102

EAR102

R120 C131 R132 R136 C127 C130 R131 C119 ZD111 C153 C152

C304 R300 C303 L302

SPK101

C331

L307

U302

C353 C354 C355 C352

RFS400

L303

U106

C133

PAM400

SH400

U104

U101

UCP101

G7

G8

U400

OSC400

UCP201

TR103 (INTRO) (PWR_KEEP) TP202 R215 R216 TP204 TP203 C211 C218 C214 C209 R204 C208 C129 C201

RST (EP_TD) (EP_TMS) GND (EP_TCK) (EP_TDI)

U206

SIM103

C110

BTC104

ZD114

R210 VR112

G5

DCJ101

C103 R100 C104 C105 C106

R129 R122 U109 R126 R130

C125

R151 R157 U105 R156 C149

C139

R154 R147 C146 C145 VR119 VR118

MIC100

G6

MOD300

GND300

GND301

MENU

ZD216

LEFT

LED301
R312
ZD217
VR212

UP

I

RIGHT

LED307
R318
VR206

STO

SEND

VR205
R315
LED304

DOWN

CLEAR

VR210

PWR

VR203
R317
LED306

1

ZD218

VR208
R313
LED302
VR204

2

VR209
R314
LED303

3

4

5

6

7

LED308
R319

8

LED305
R316

9

*

0

SHARP