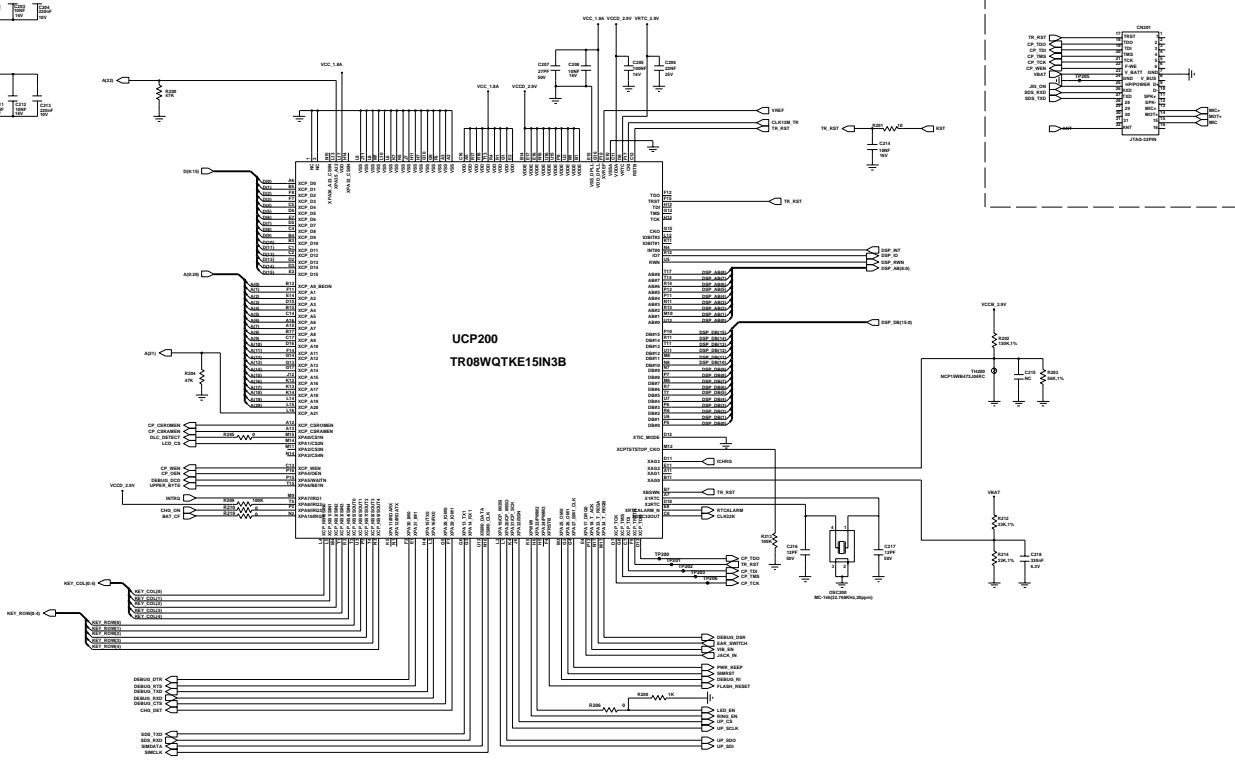
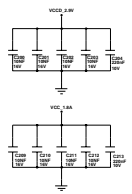
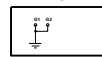


Engineer	SAMSUNG ELECTRONICS		
Drawn by			
REP CHK	TITLE: SGH-C120		
ENC CTRL CHK	REV: 2.34		
MFG ENG CHK	Drawing Number		

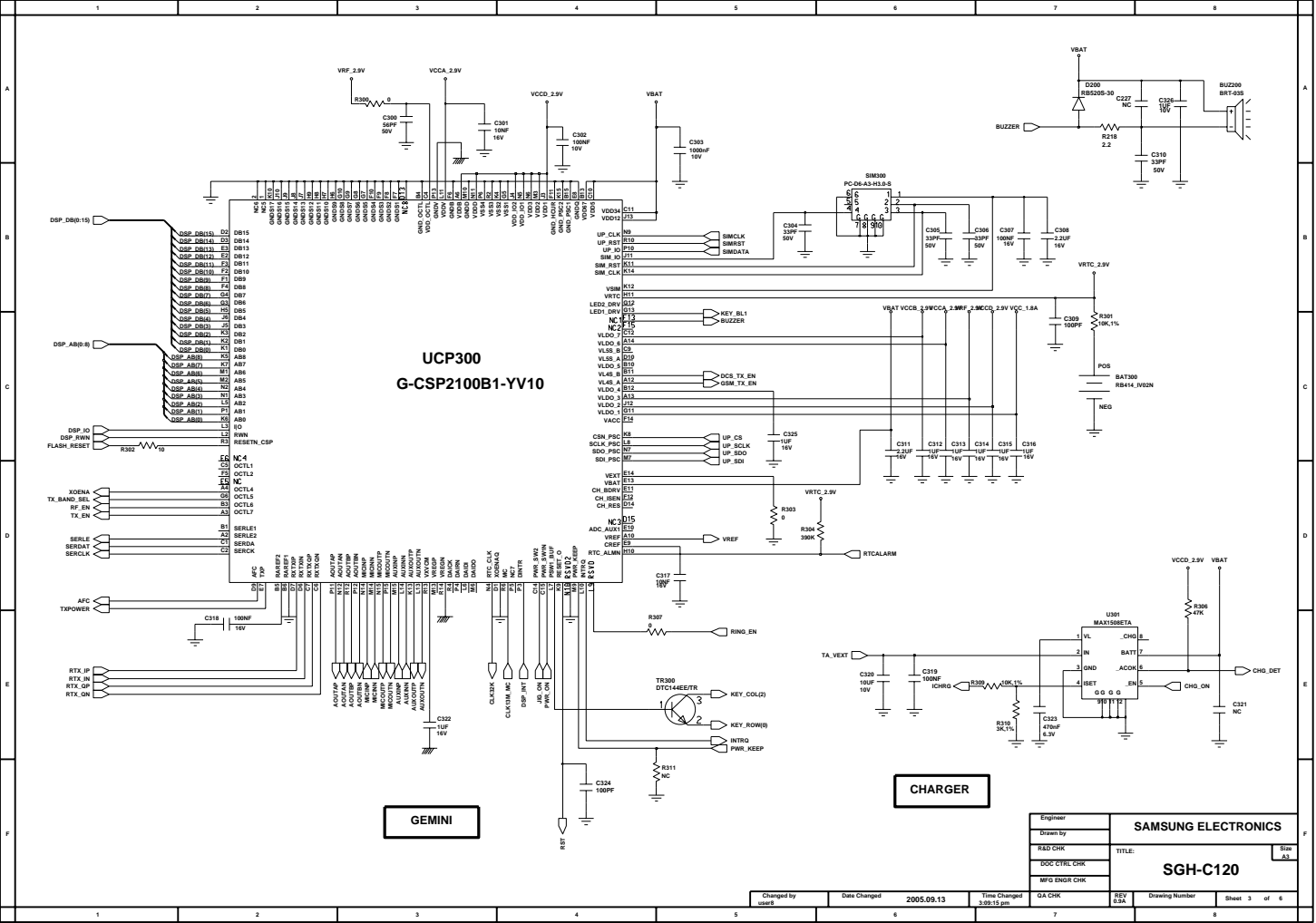


UCP200
TR08WQTK615IN3B

TRANSIST



SAMSUNG ELECTRONICS	
Part Number	SGH-C120
Revision	1.0
Product Name	SGH-C120
Manufacturer	SAMSUNG ELECTRONICS

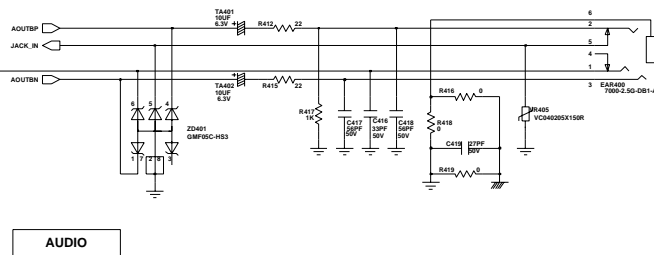
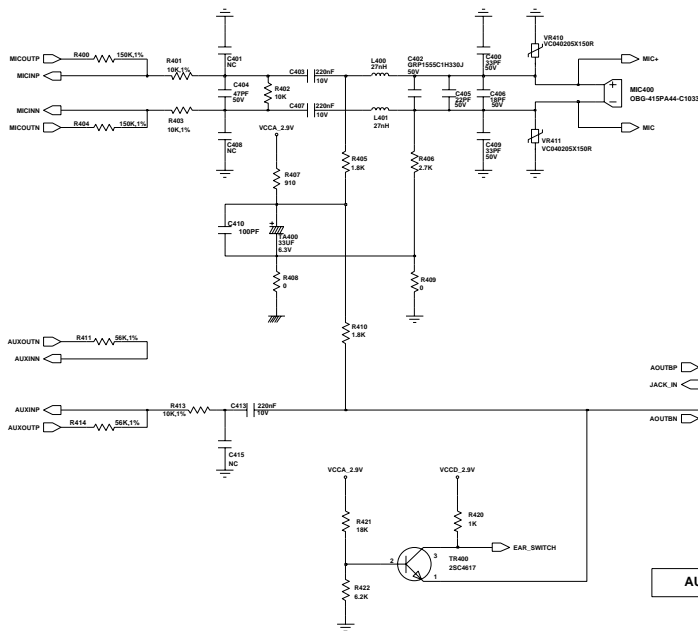


**UCP300
G-CSP2100B1-YV10**

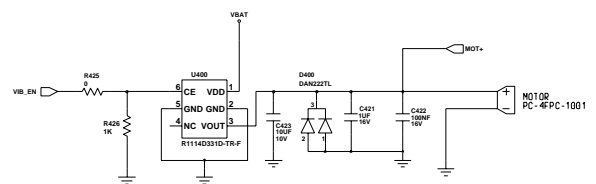
GEMINI

CHARGER

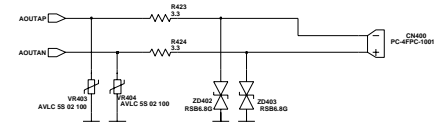
Engineer	SAMSUNG ELECTRONICS		
Drawn by			
RED CHK	TITLE: SGH-C120		
ESC CTRL CHK	Size A1		
MFG ENGR CHK	SGH-C120		



AUDIO

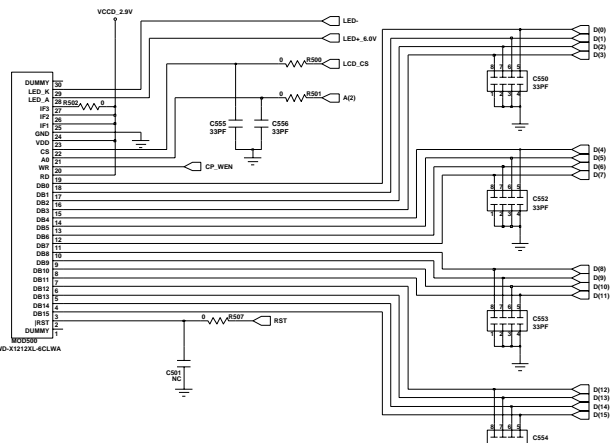


VIBRATOR

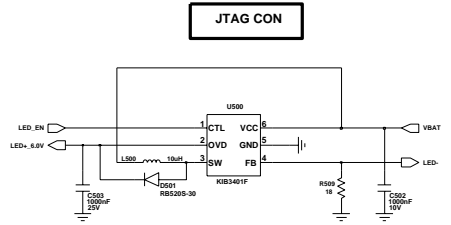


RECEIVER

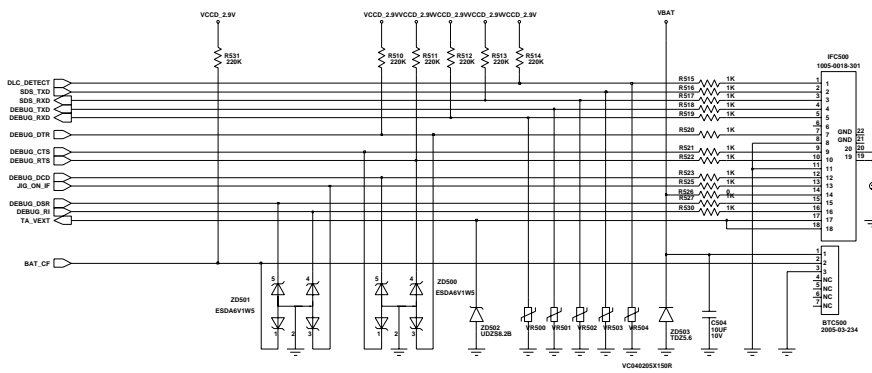
Engineer	SAMSUNG ELECTRONICS		
Drawn by			
REP CHK	TITLE:	SGH-C120	
ESC CTRN CHK			
MFG ENGR CHK			
Changed by	Date Changed	Time Changed	QA CHK
used	2005.09.13	3:10:51 pm	REV 5.3A
Drawing Number		Sheet 4 of 6	



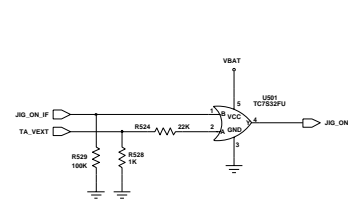
LCD CONNECTOR



LCD BACKLIGHT



I/F CONNECTOR



Engineer	SAMSUNG ELECTRONICS		
Drawn by	TITLE: SGH-C120		
REP CHK	REV: 5.3A		
ESC CTRL CHK	Drawing Number		
MFG ENG/DRY CHK	Sheet 5 of 6		

CN400

MOD500

G1

G2

ZD604 LED611 ZD603 R614

ZD602 LED612 R615 R608

F1

LEFT

UP

INT

RIGHT

F2

SEND

R607

DOWN

CLEAR

PWR

R602

R601

1

2

3

R608

4

R609

5

6

R604 R603

7

R601 R602

8

9

*

0

SH

