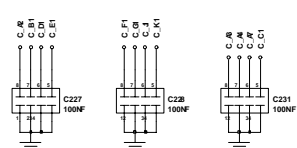
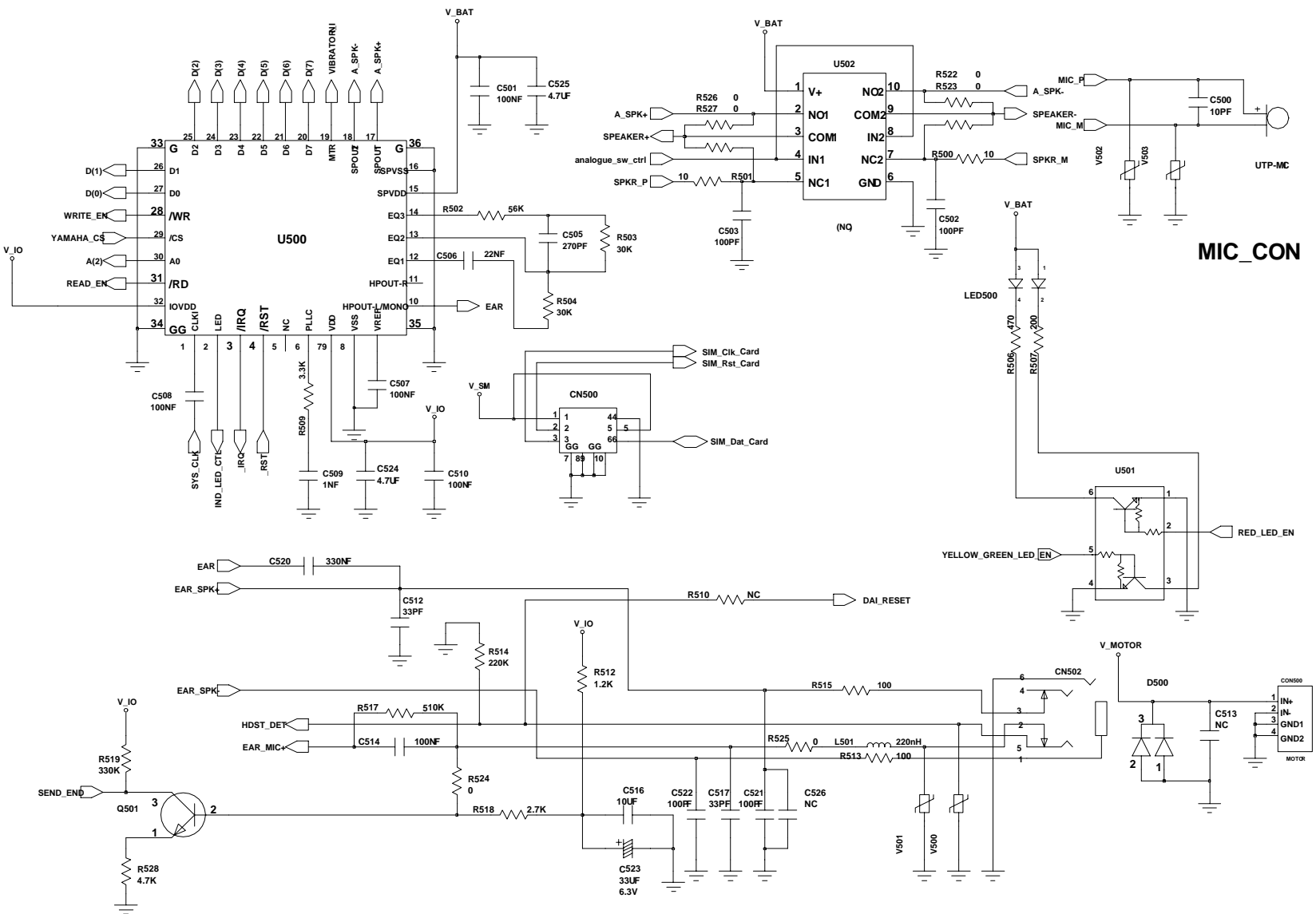
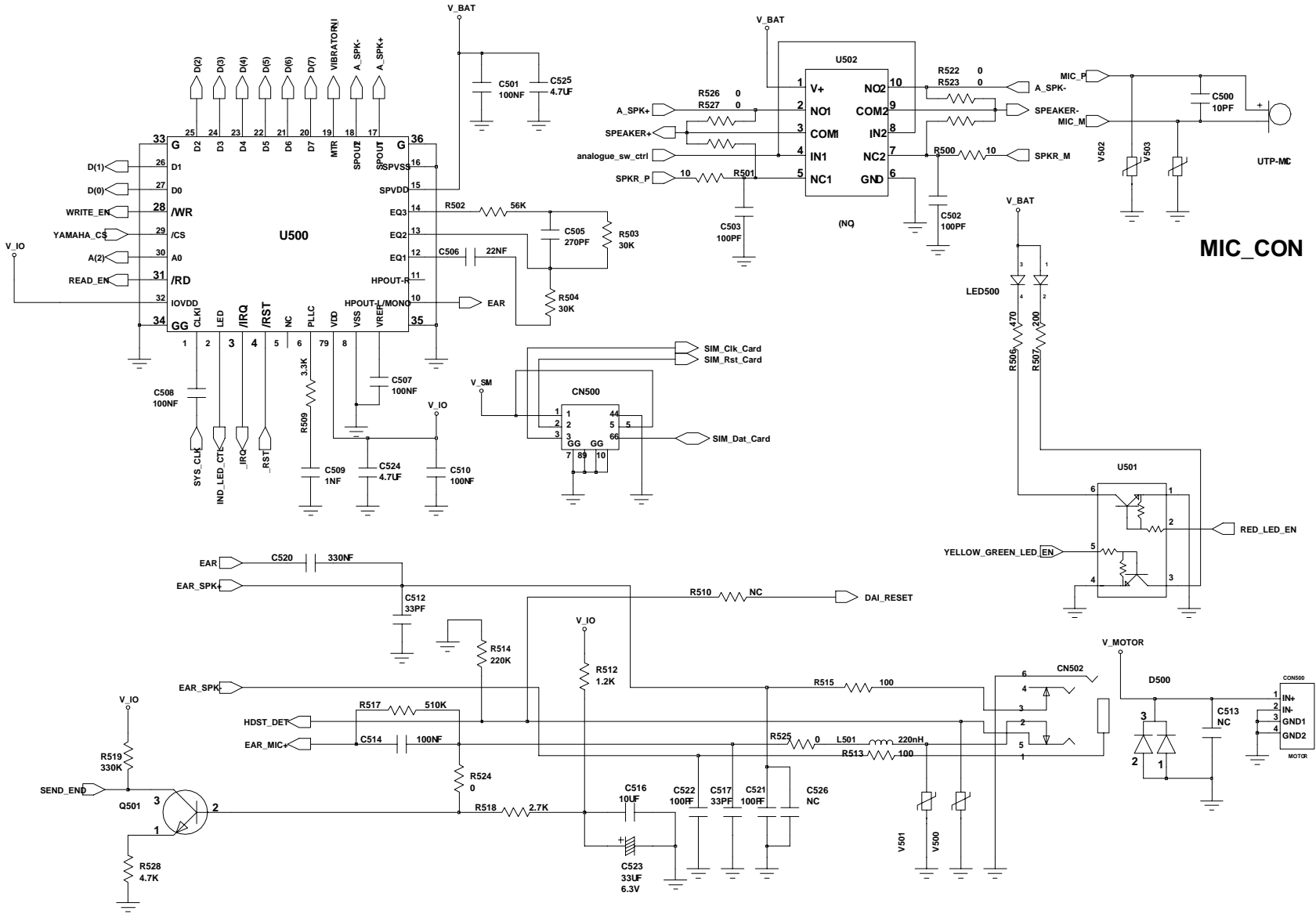
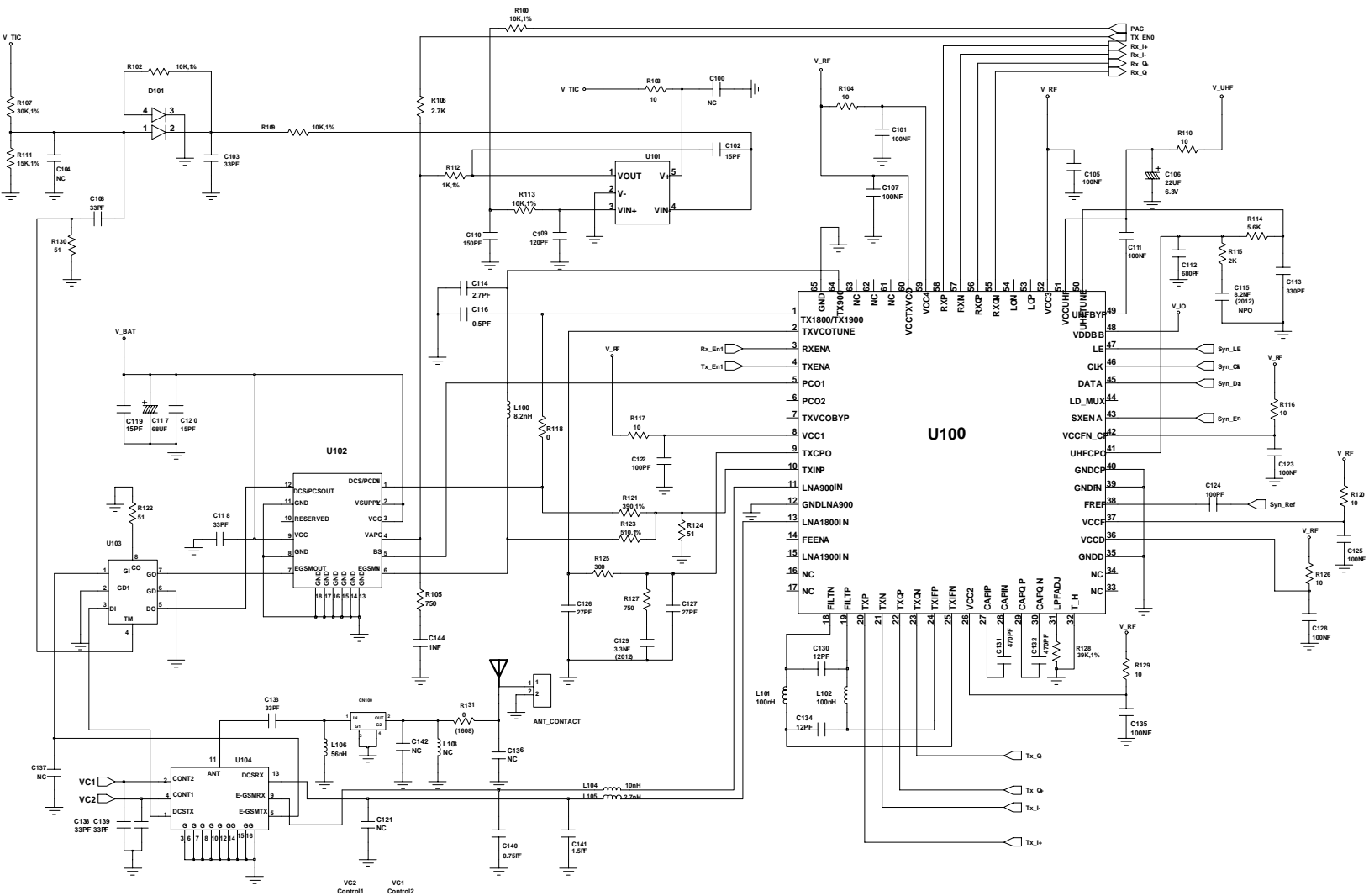


- E_TDO 0 TDO
- E_TD 0 TDI
- E_TMS 0 TMS
- E_TRST 0 TRST
- E_TCK 0 TCK
- F_VE 0 WRITE_EN
- SDS_TX 0 Sds_Tx
- SDS_R 0 Sds_R
- A_P 0 TA_DET
- BAT 0 V_Bat
- GND 0
- DEBUG_TX 0 Debug_Tx
- DEBUG_RX 0 Debug_Rx









SAMSUNG Proprietary-Contents may change without notice
This Document can not be used without Samsung's authorization

6. SGH-C110 PCB Diagrams

1. Main PCB Top Diagram

