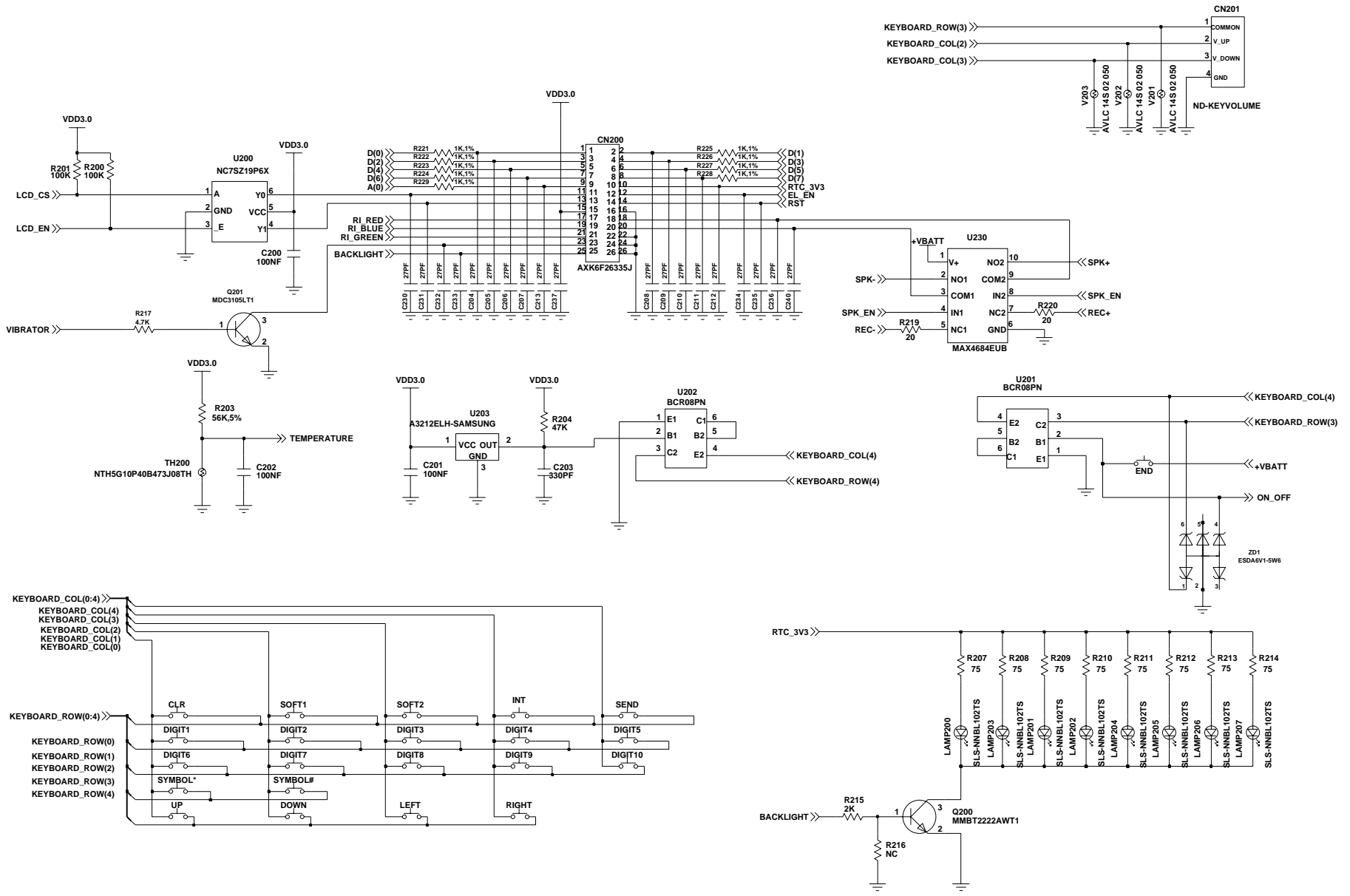
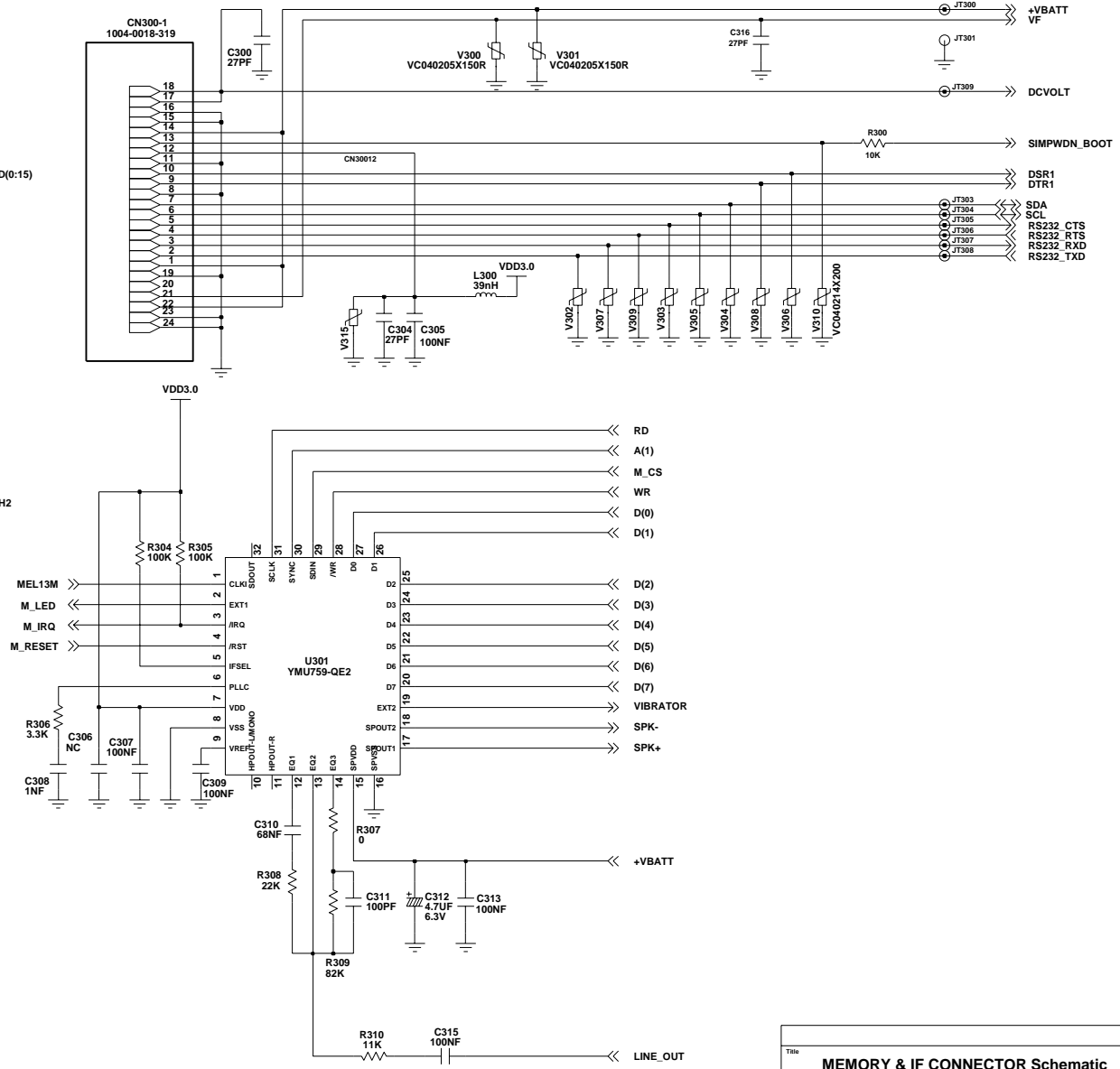
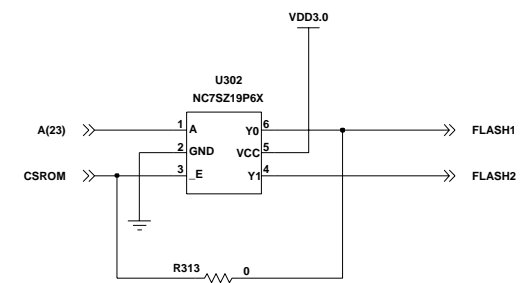
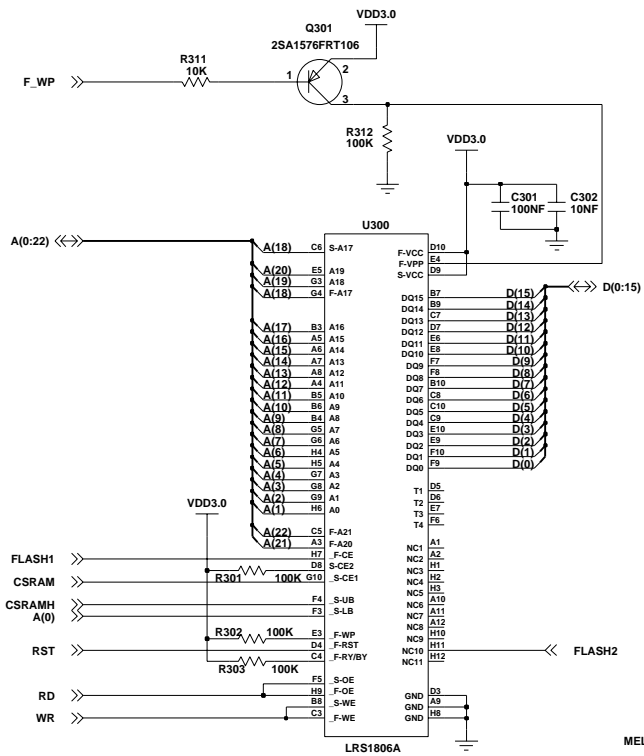


POWER Management Schematic			
Title	POWER Management Schematic		
Size	Document Number	SAMSUNG/A800/B.B/PSU	Rev
A3			Rev 6.0
Date:	2002.08.14	Sheet	1 of 7





MEMORY & IF CONNECTOR Schematic			
Size	Document Number	Rev	
A3	SAMSUNG/A800/B.B/CHARGER	Rev 6.0	
Date:	2002.08.14	Sheet	3 of 7

