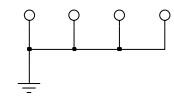
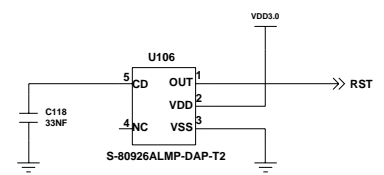
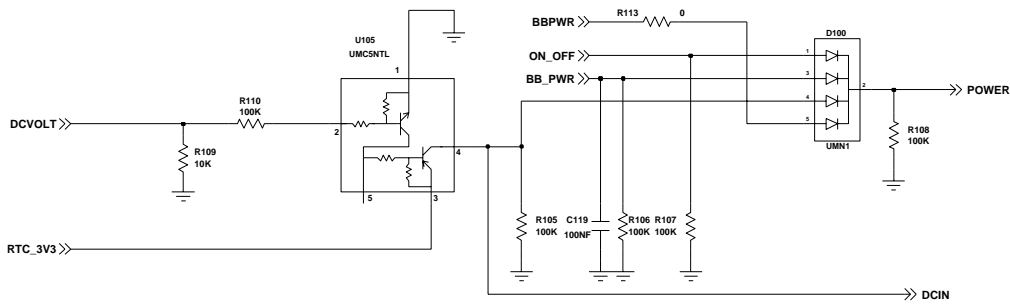
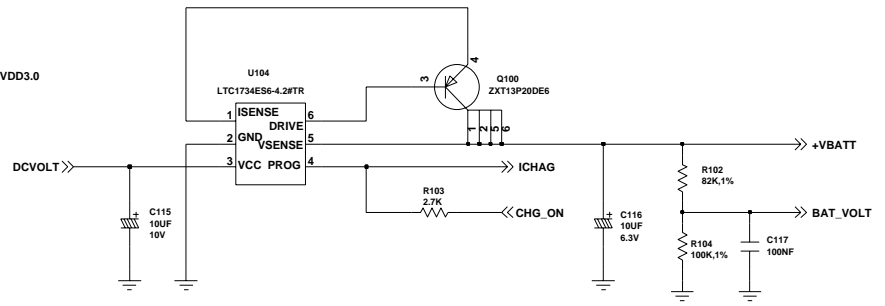
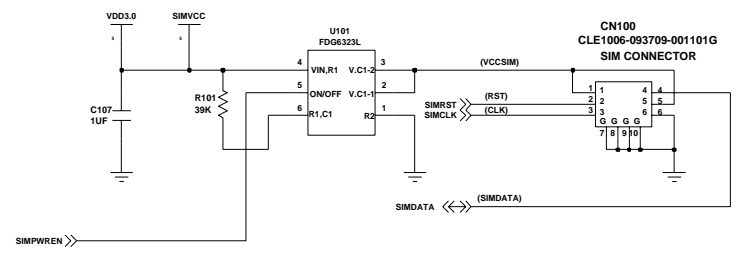
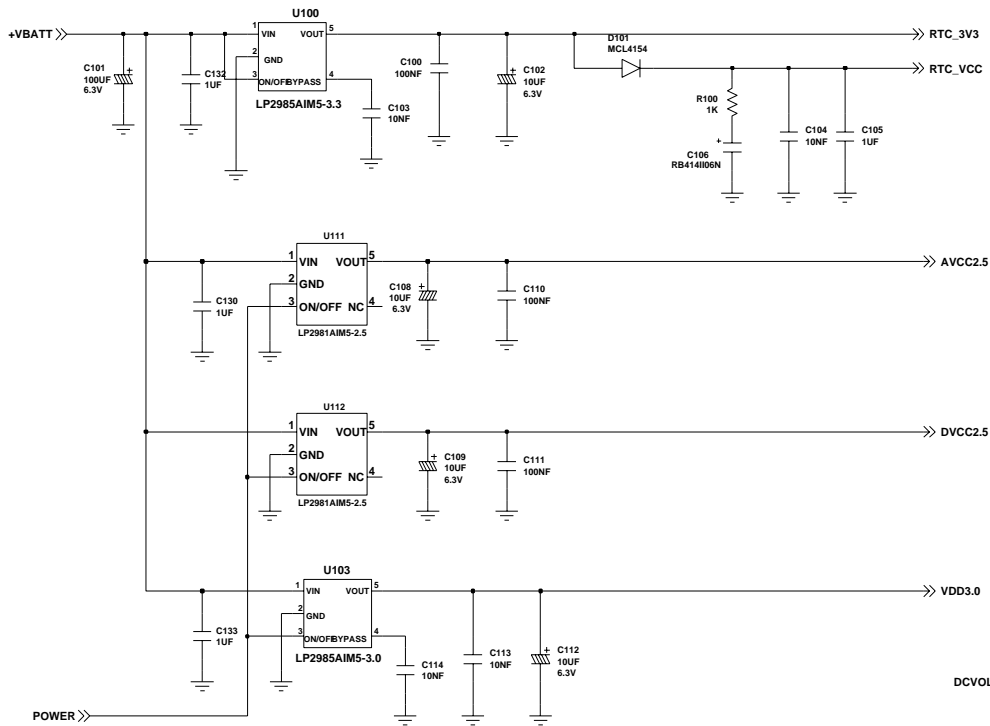
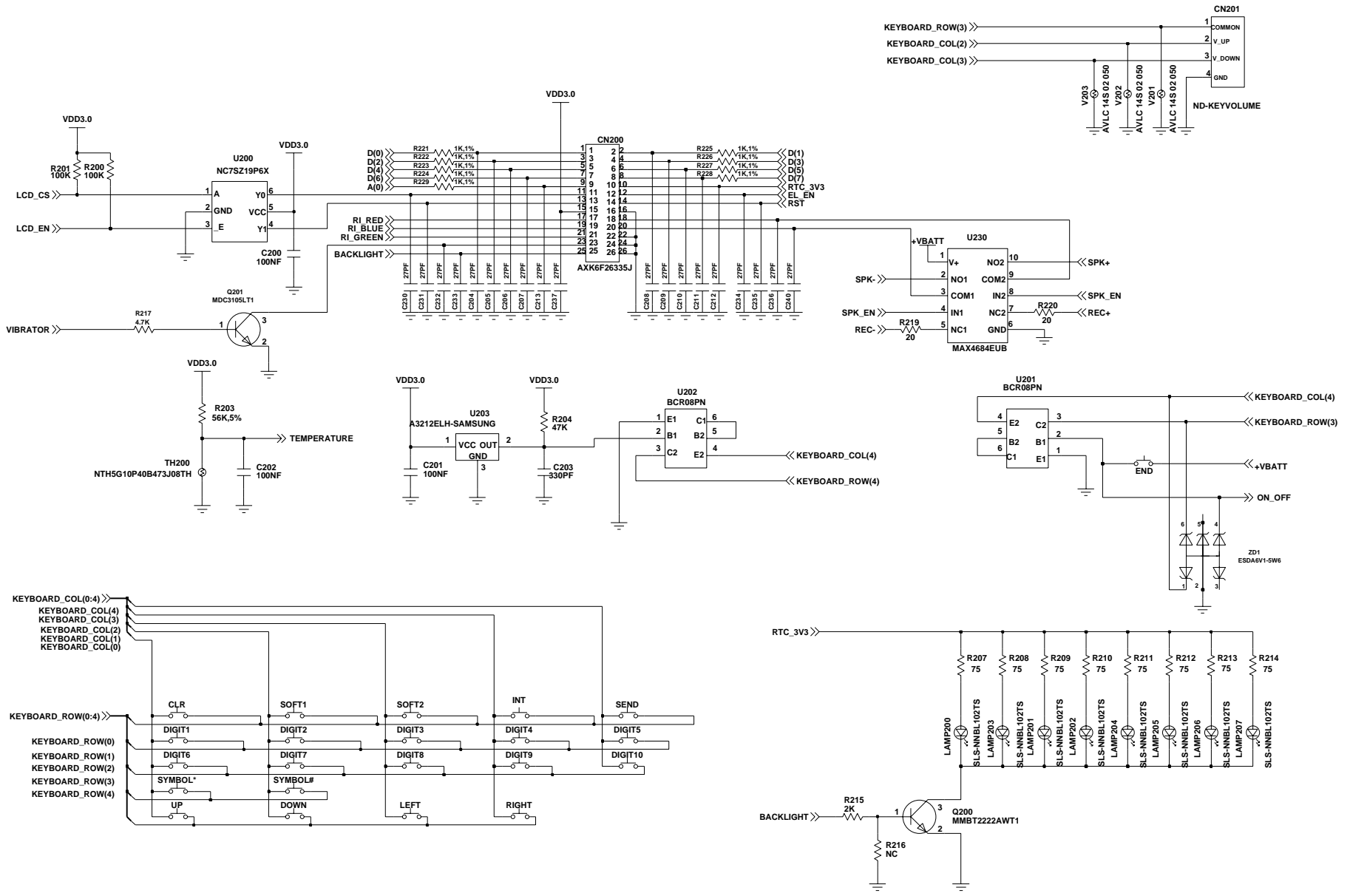


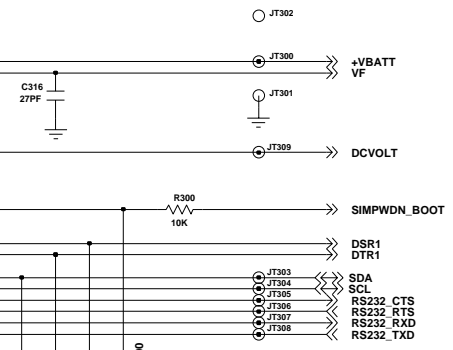
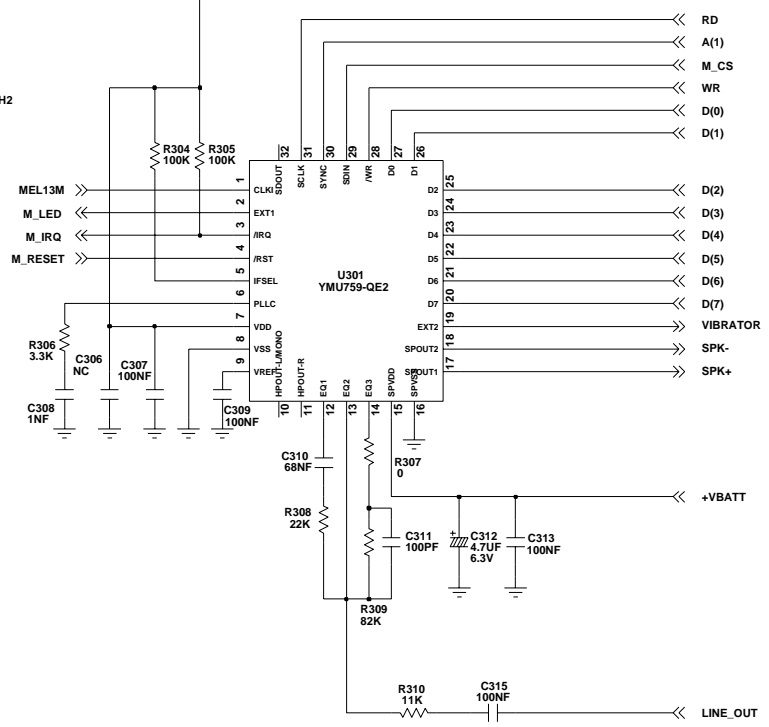
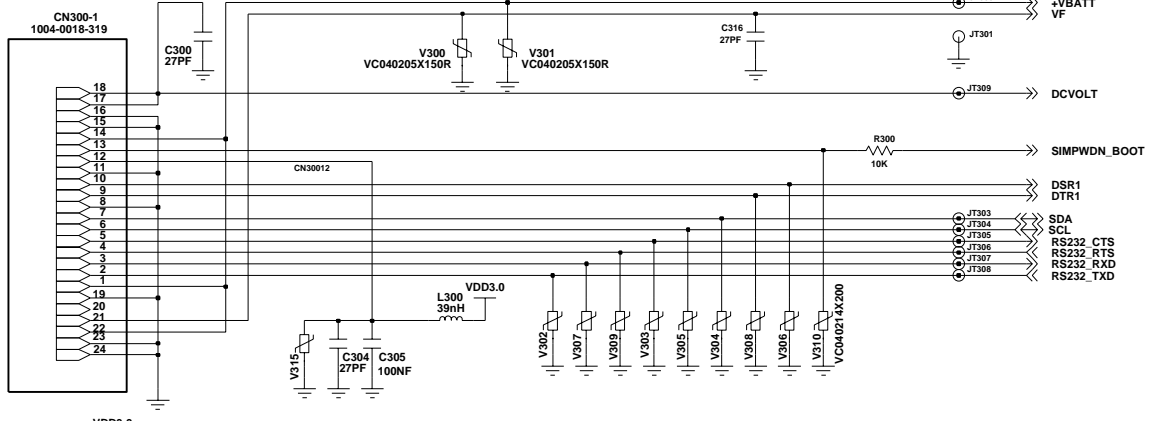
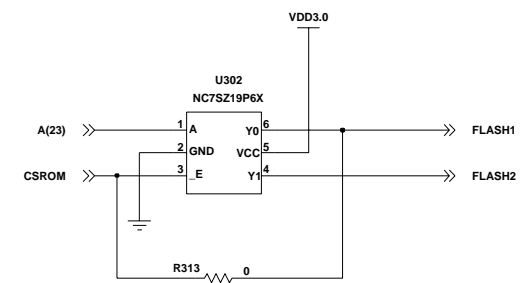
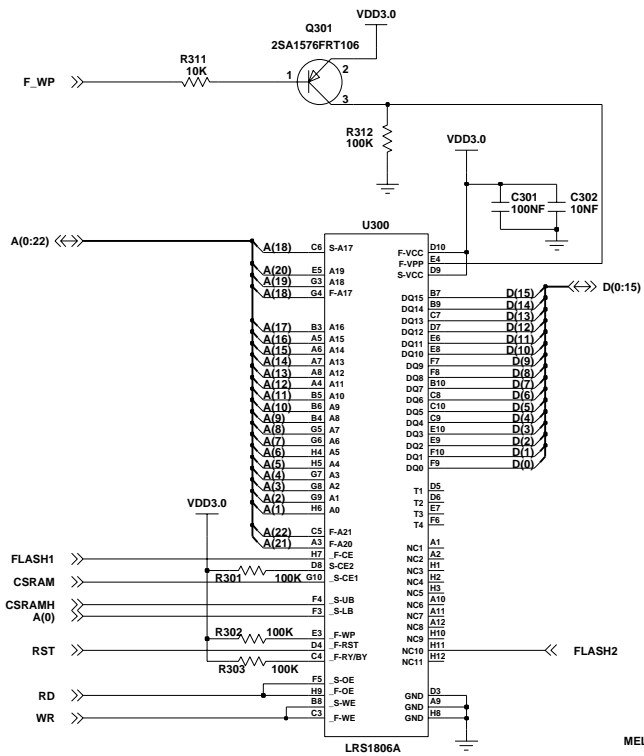
- JP403
- JP402
- JP400
- JP401
- JT302
- JT6
- JT300
- JT301
- JT309
- JT307
- JT308
- JT305
- JT306
- JT304
- JT303



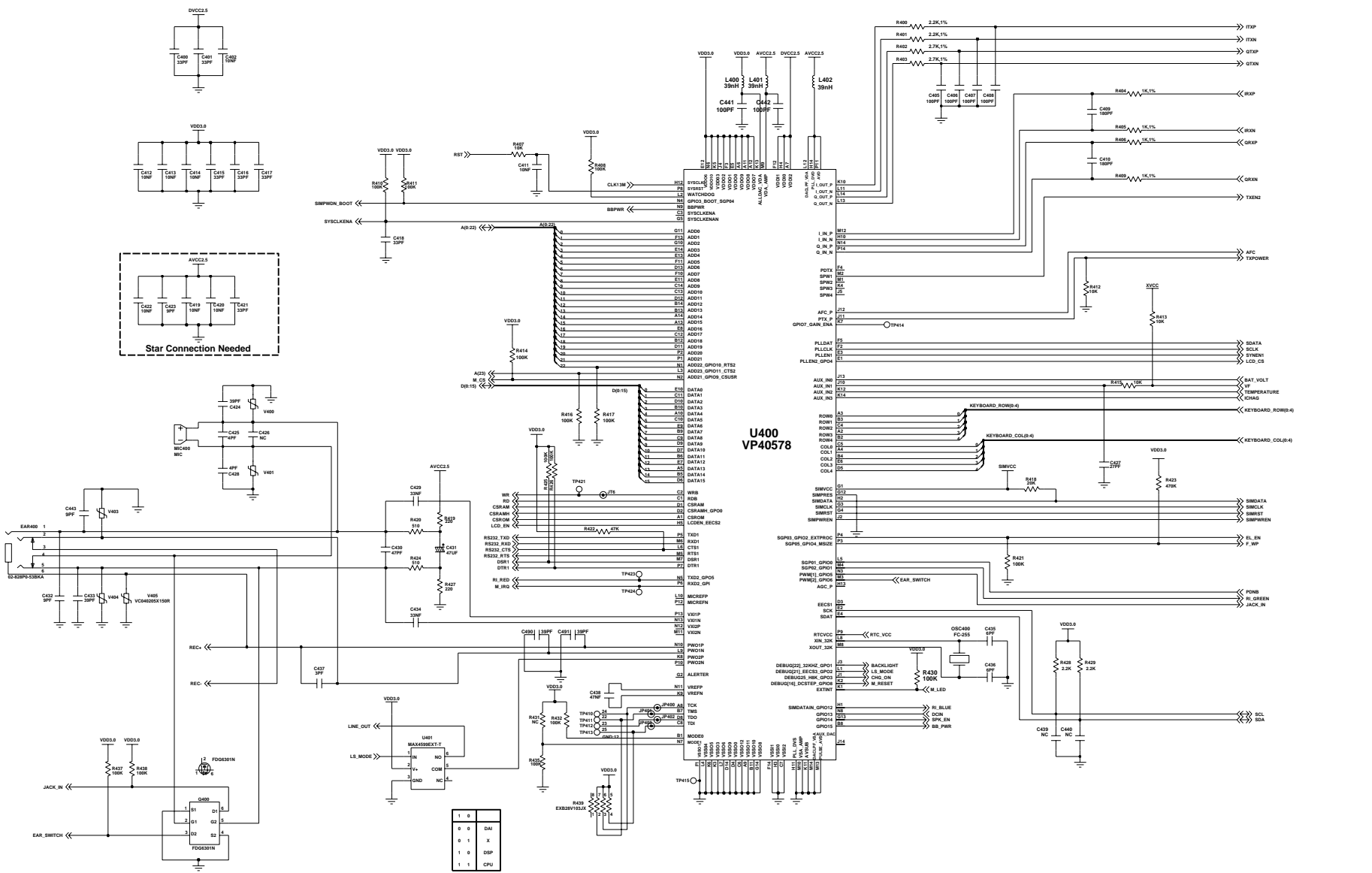
Title		
POWER Management Schematic		
Size	Document Number	Rev
A3	SAMSUNG/A800/B.B/PSU	Rev 6.0
Date:	2002.08.14	Sheet 1 of 7



Title		
KEY&CONNECTOR Schematic		
Size	Document Number	Rev
A3	SAMSUNG/A800/B.B/LCD	Rev 6.0
Date:	2002.08.14	Sheet 2 of 7



MEMORY & IF CONNECTOR Schematic			
Size	Document Number	Rev	
A3	SAMSUNG/A800/B.B/CHARGER	Rev 6.0	
Date:	2002.08.14	Sheet	3 of 7



**U400
VP40578**

1	0	
0	0	DA
0	1	X
1	0	DSP
1	1	CPU

