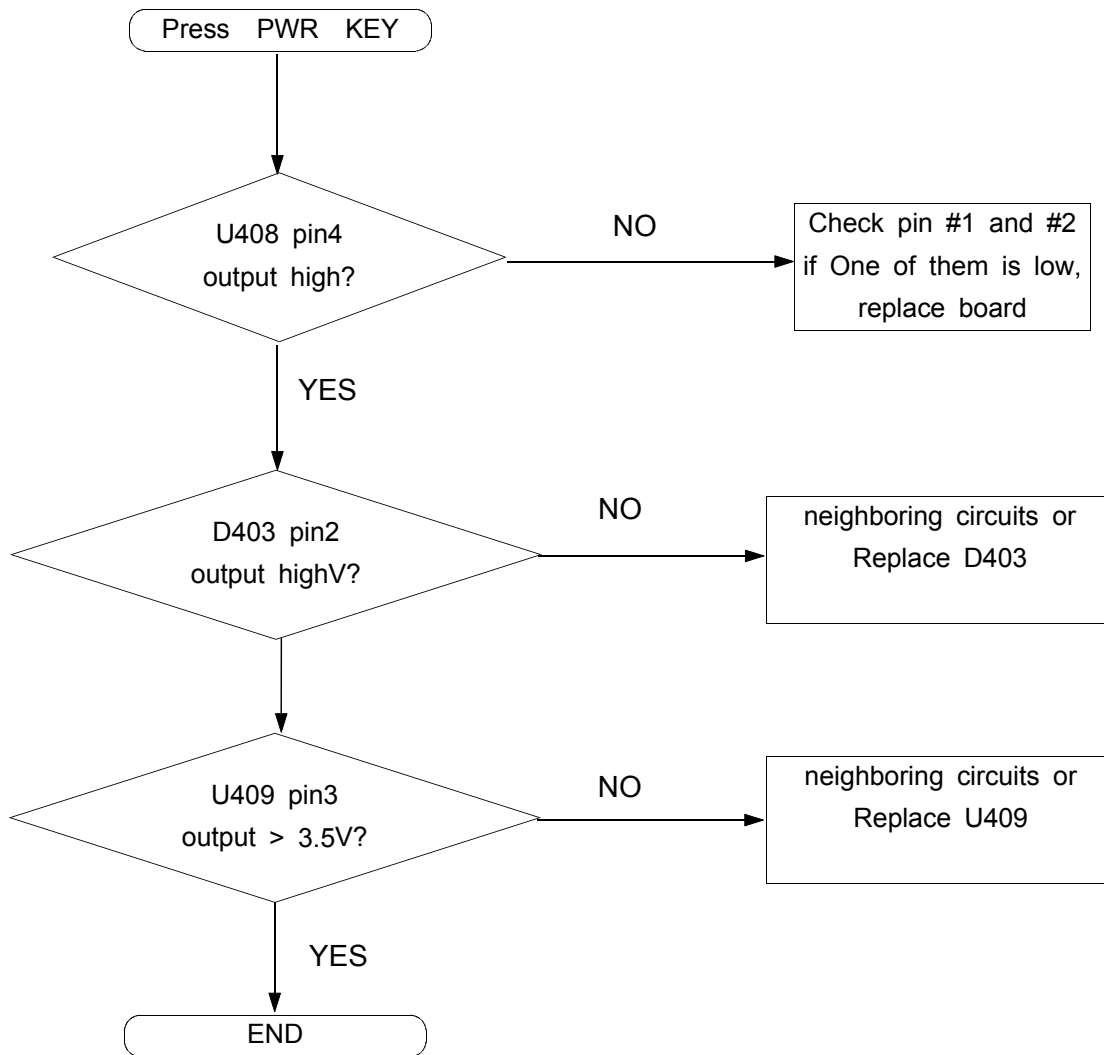
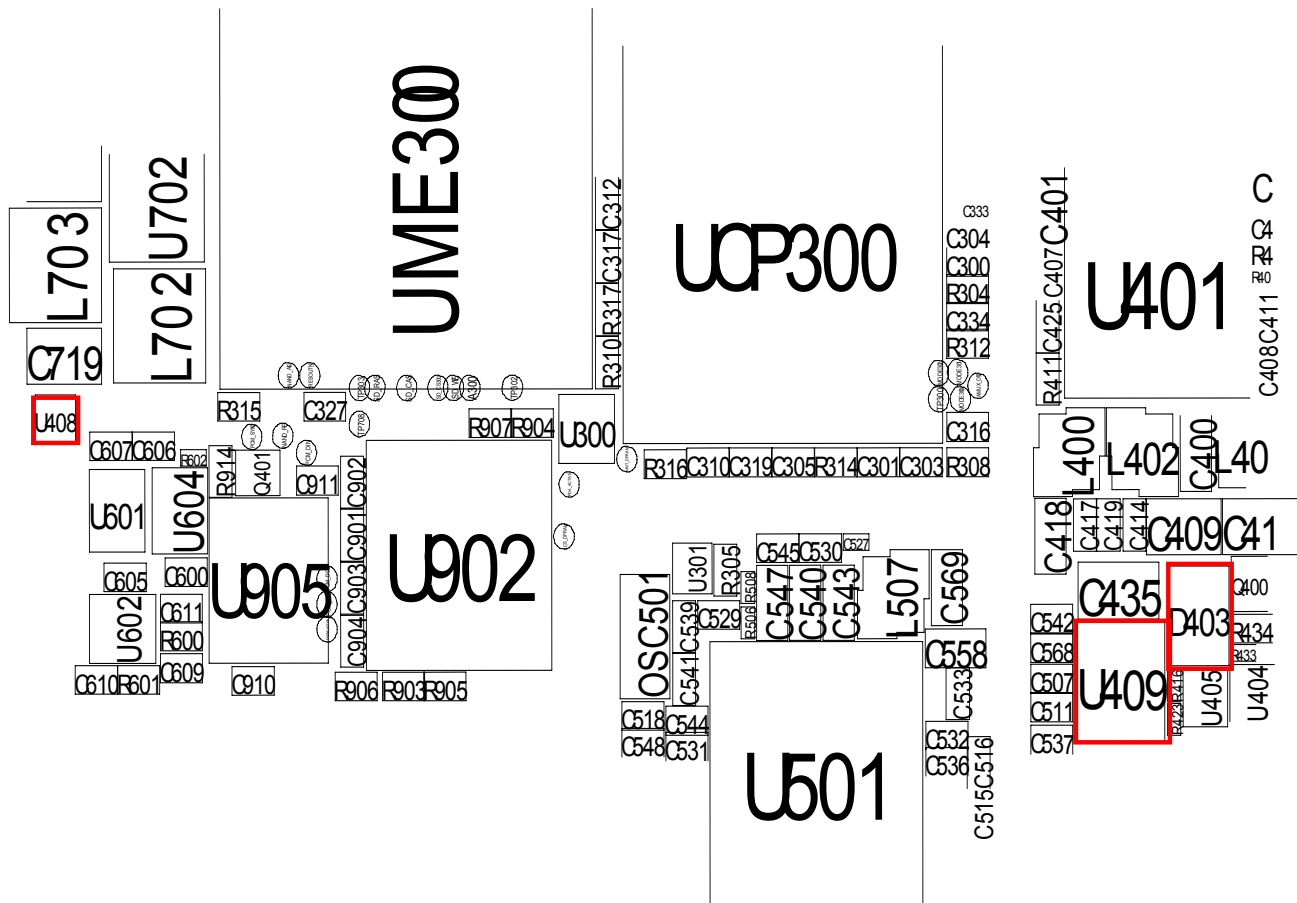
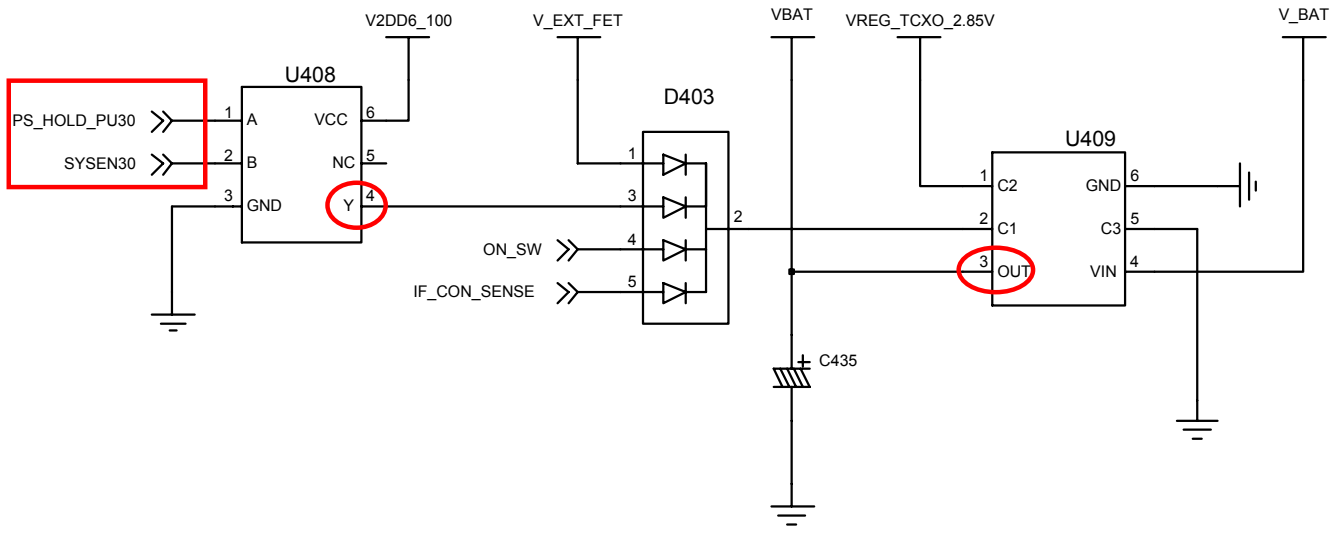

9. Flow Chart of TroubleShooting

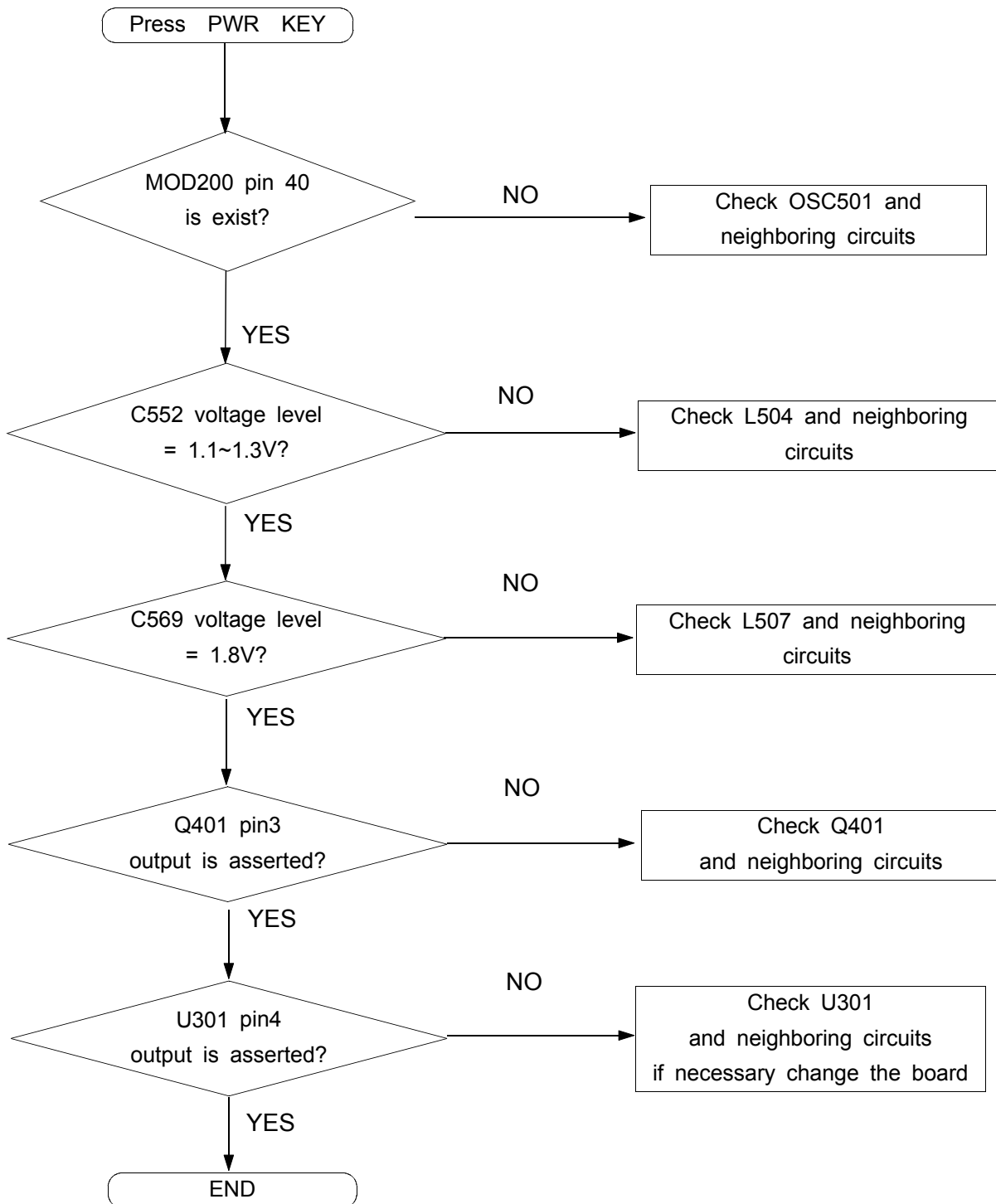
9-1. Logic Section

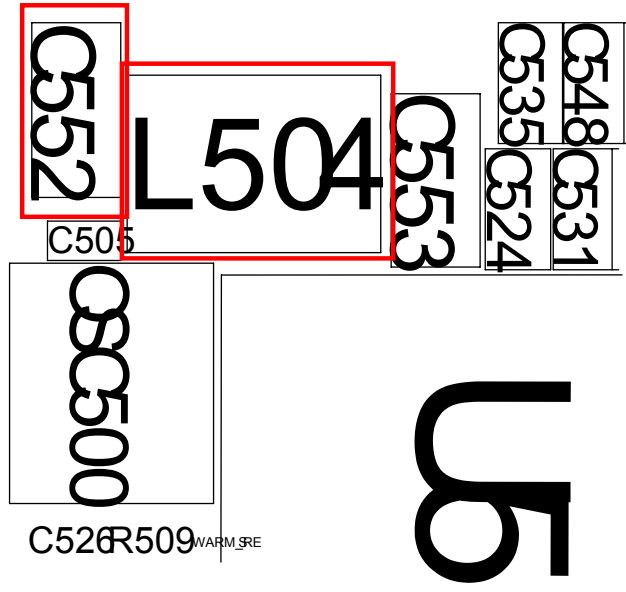
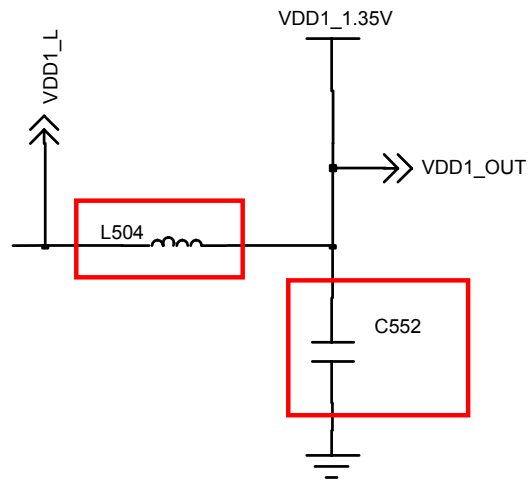
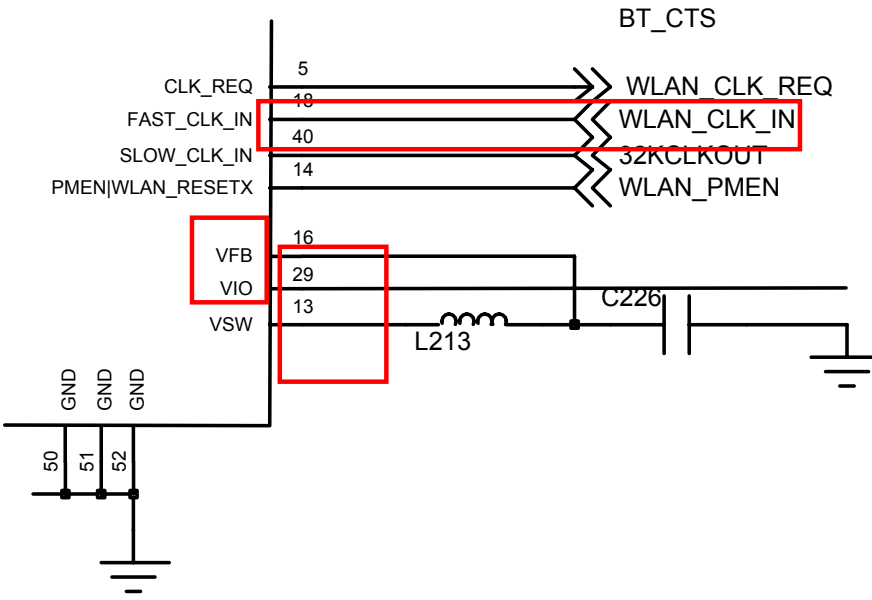
9-1-1 : No Power

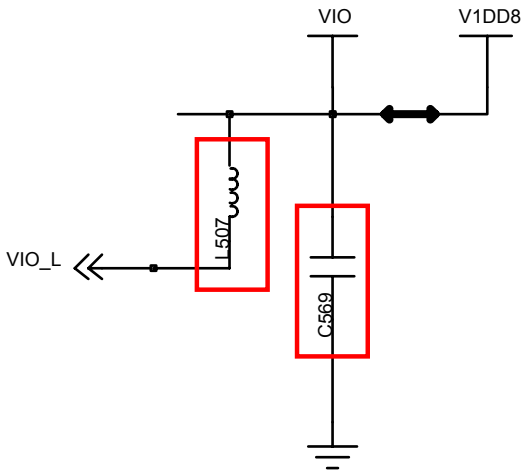




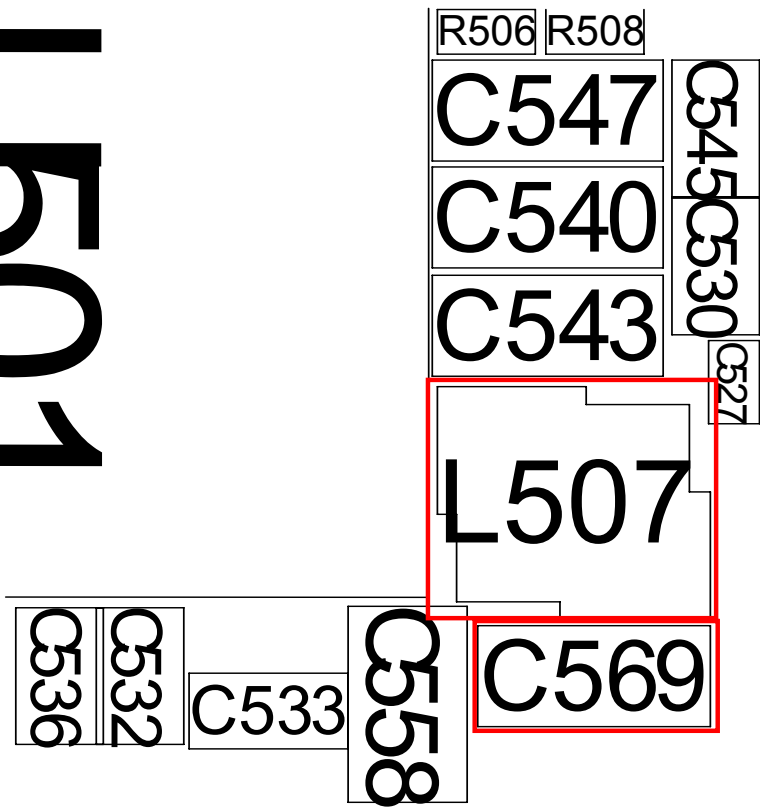
9-1-2 : Abnormal initial operation (Normal +4.0V voltage source)

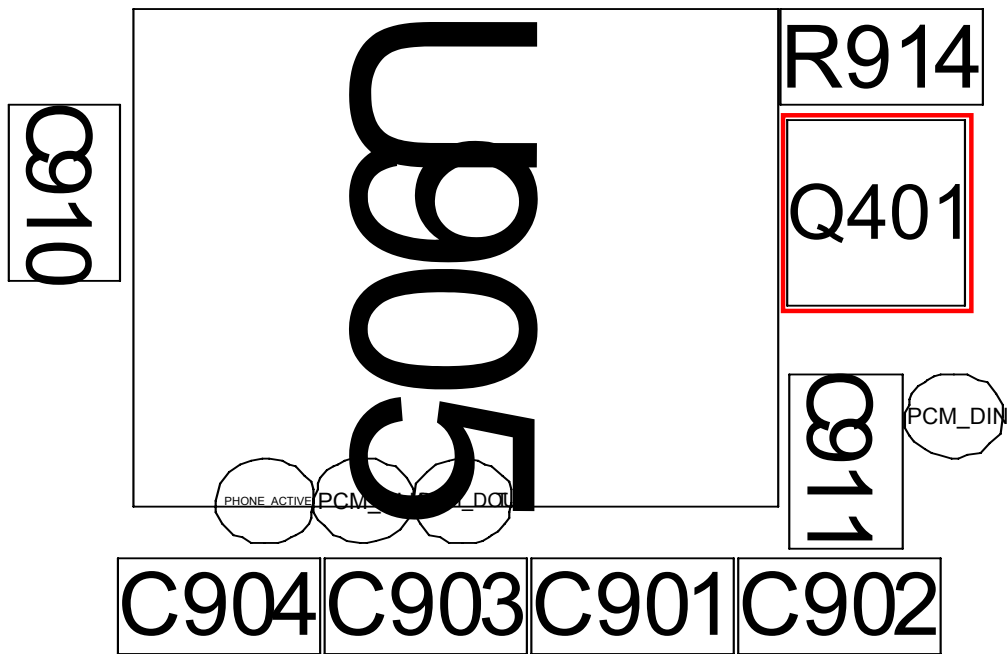
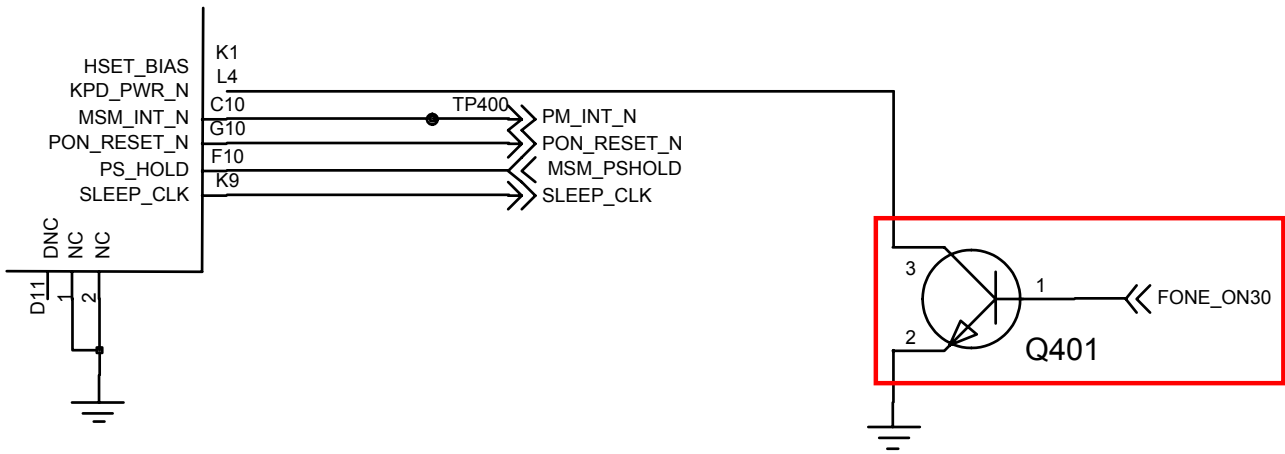


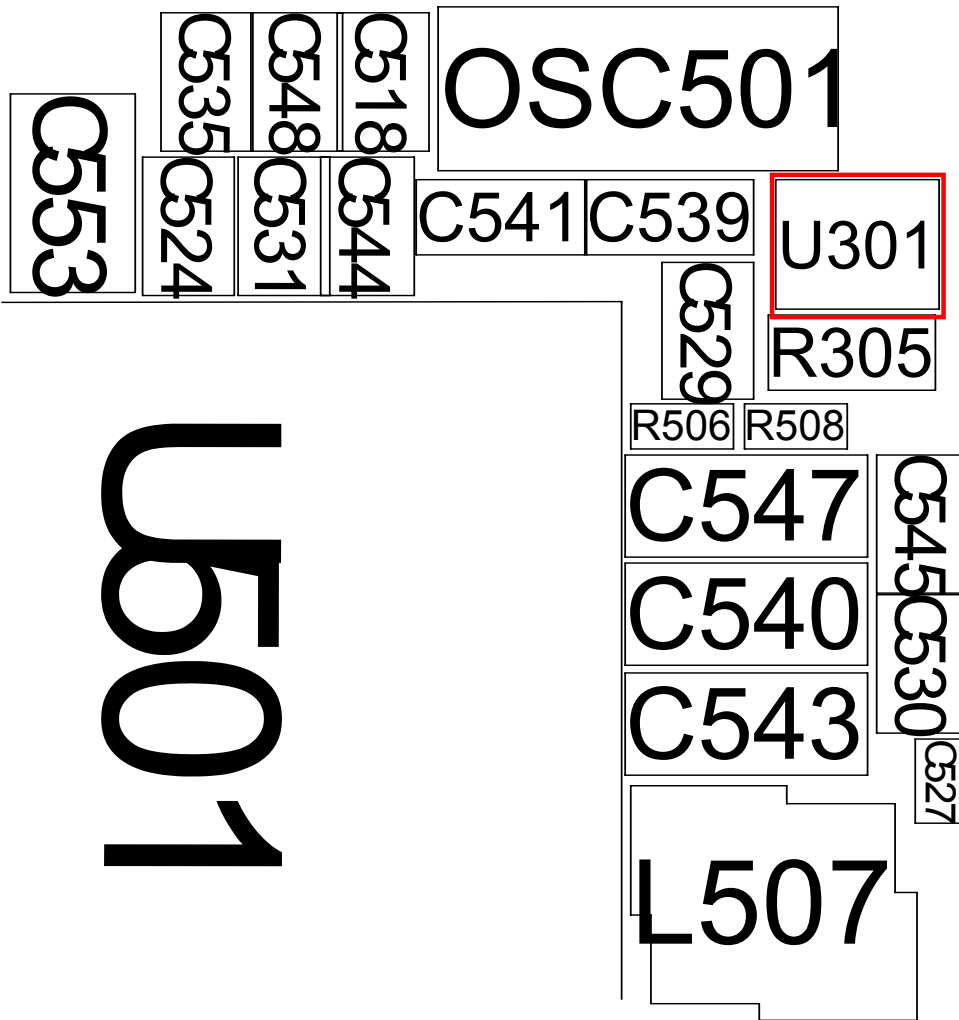
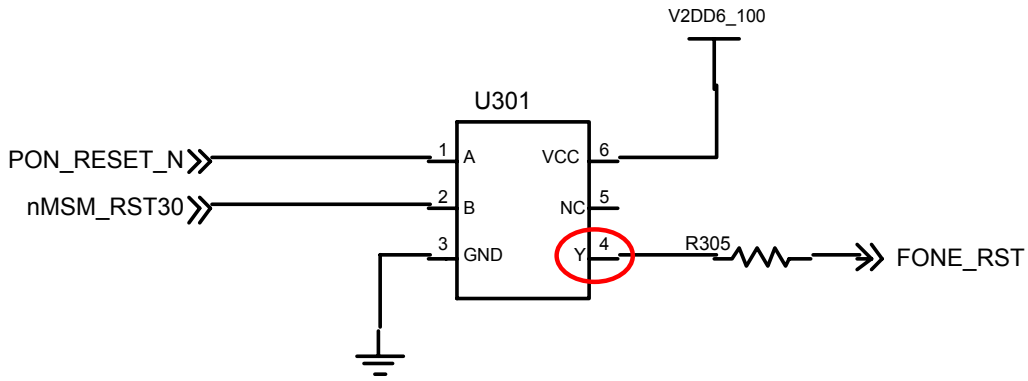




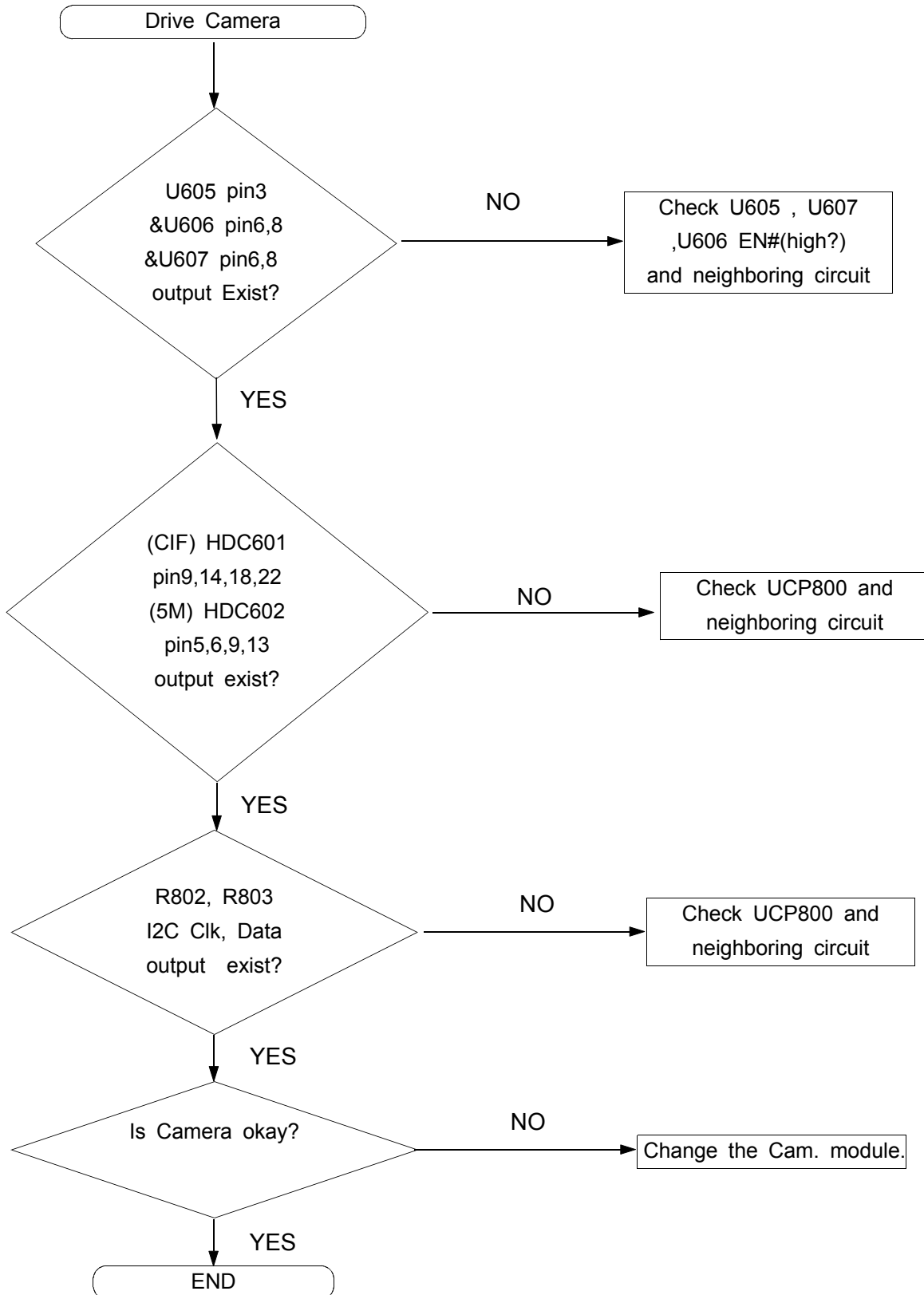
U501

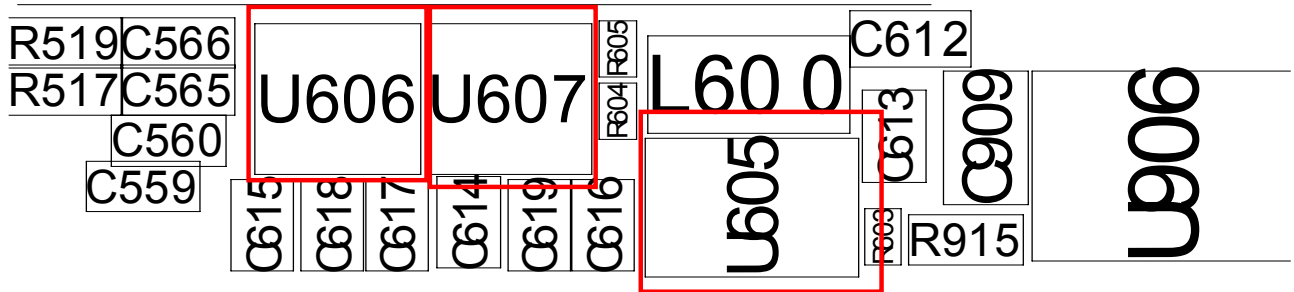
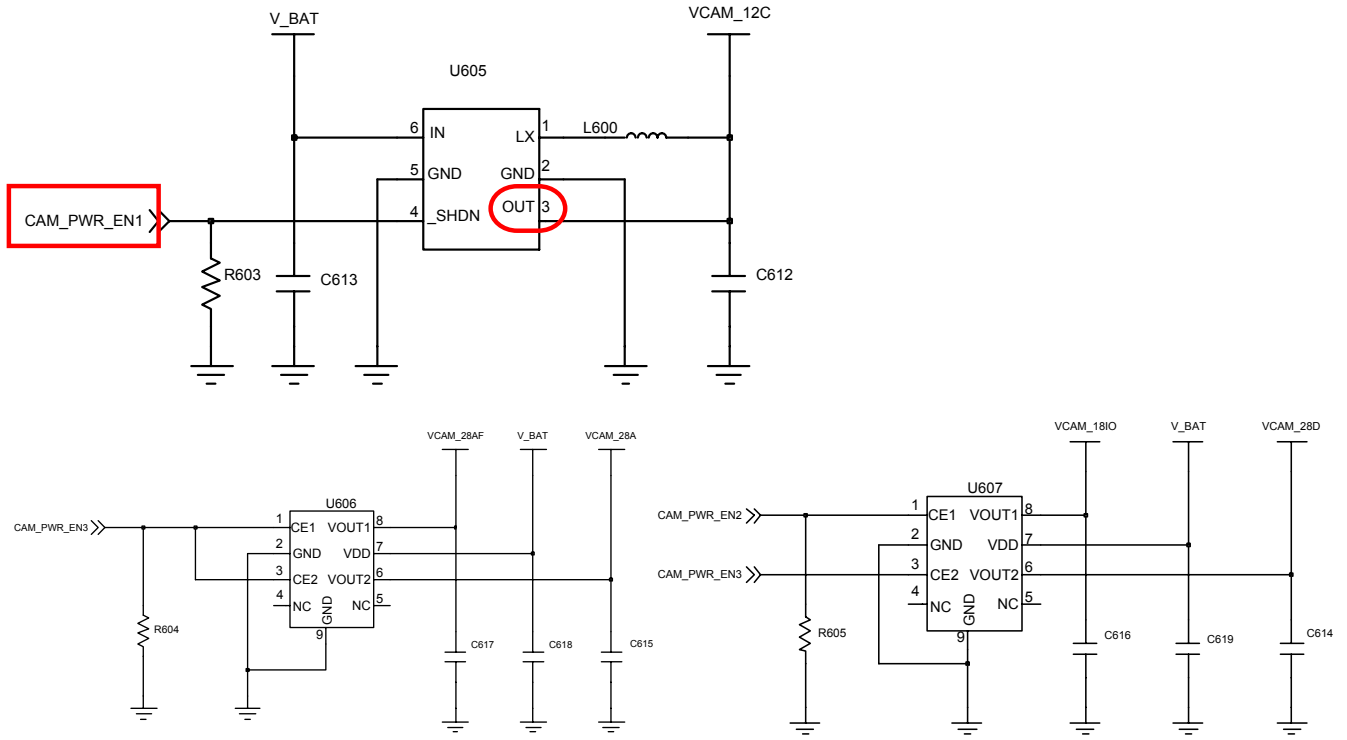


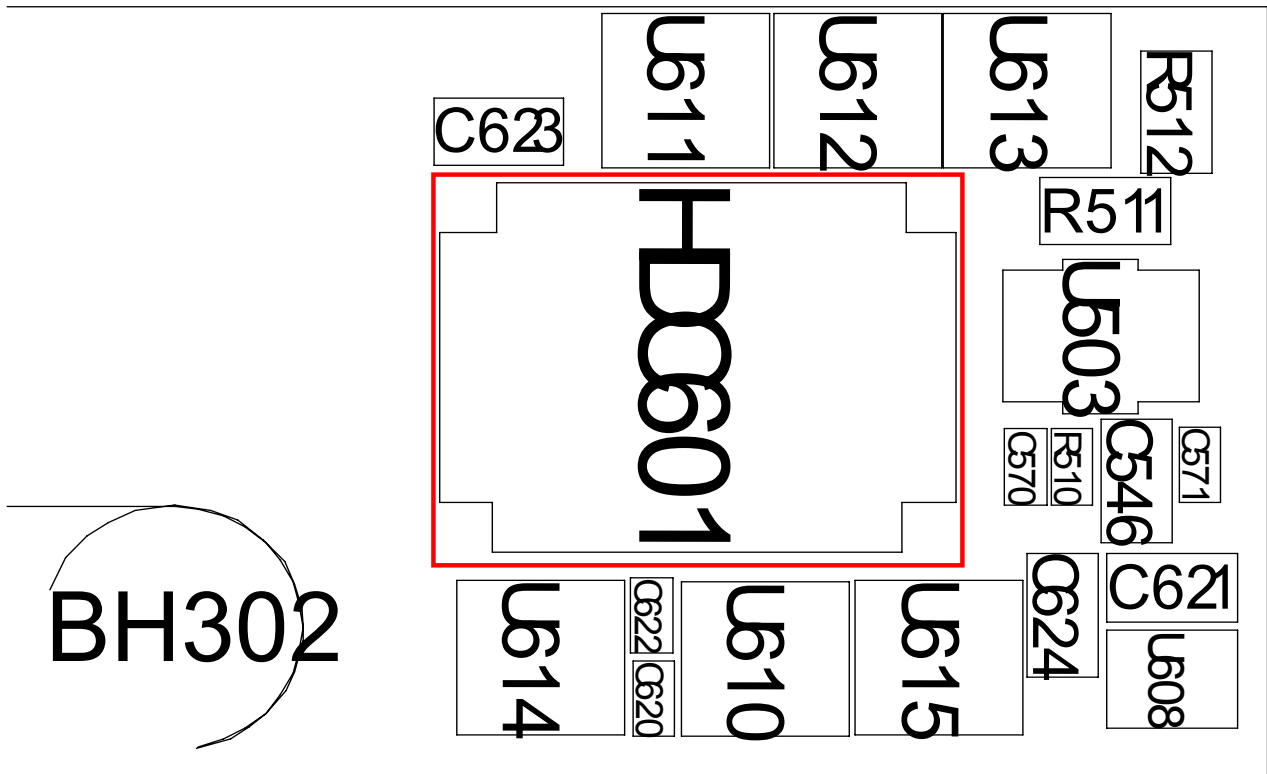
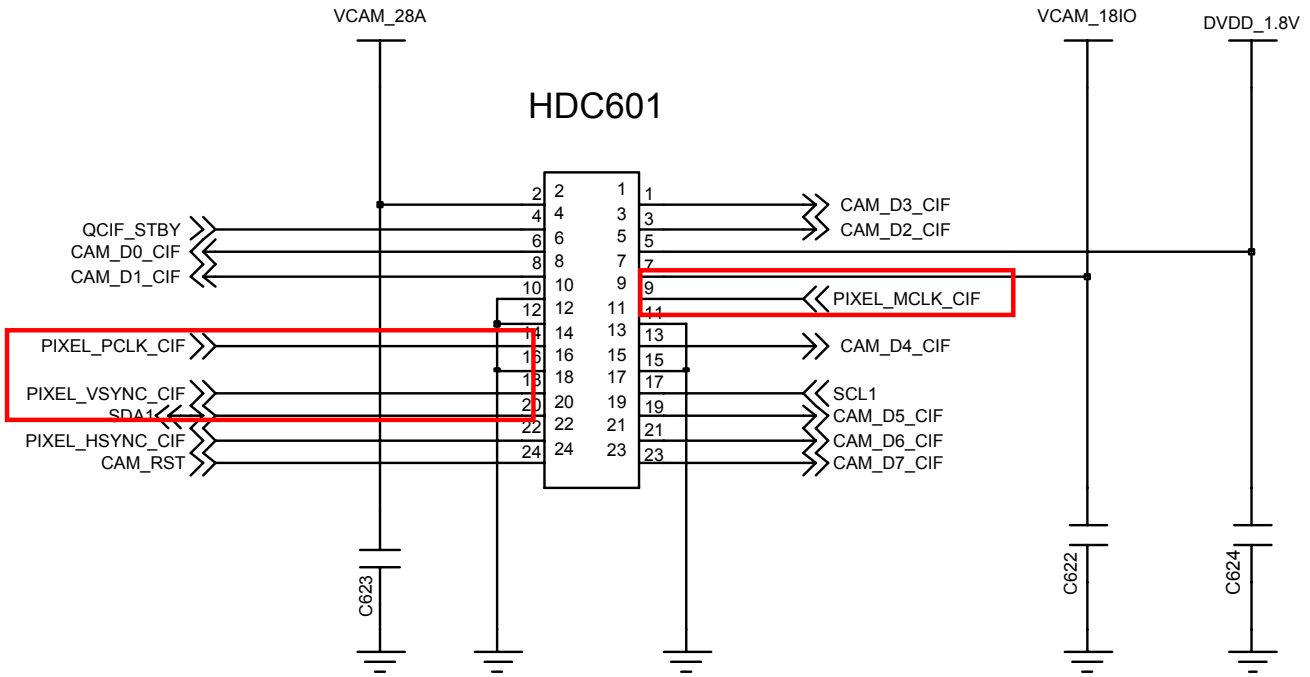


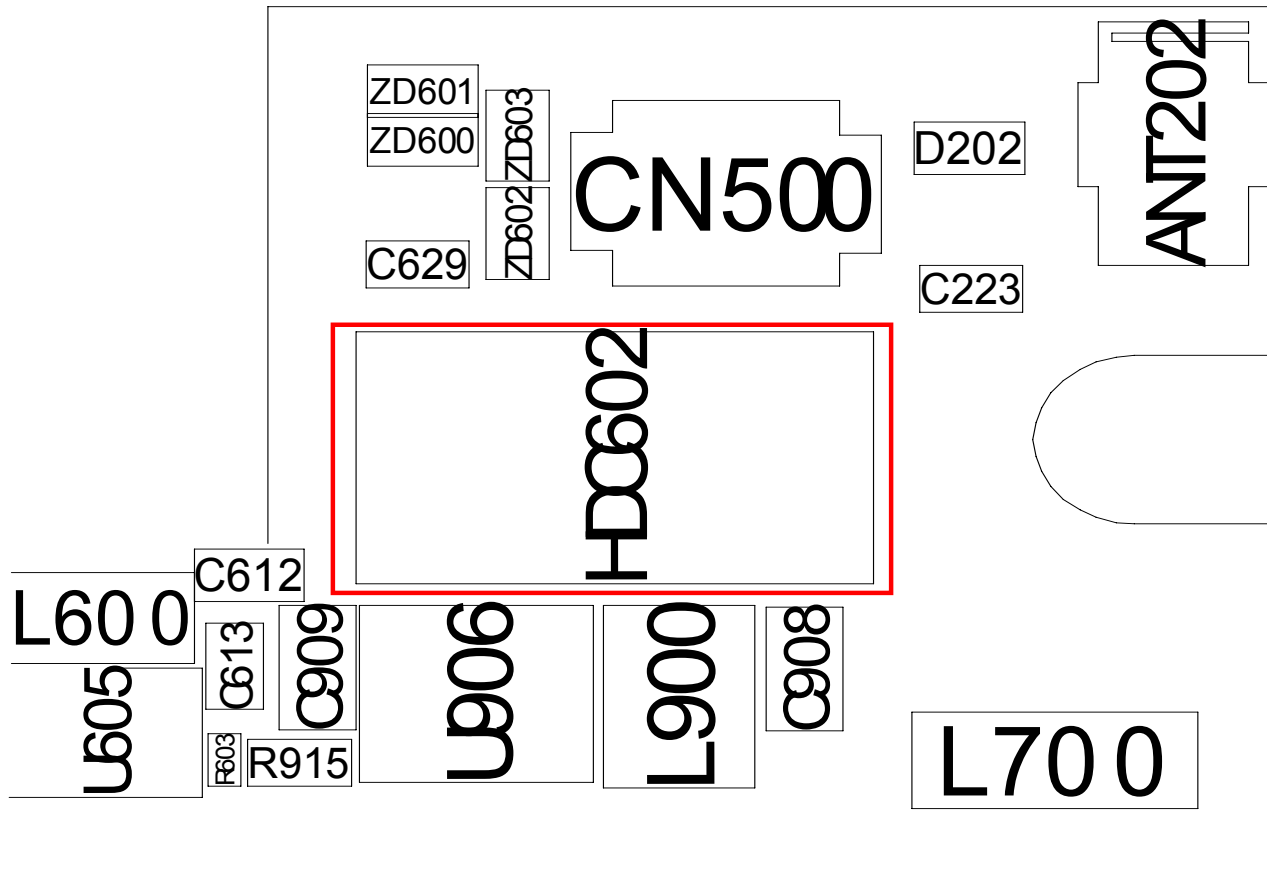
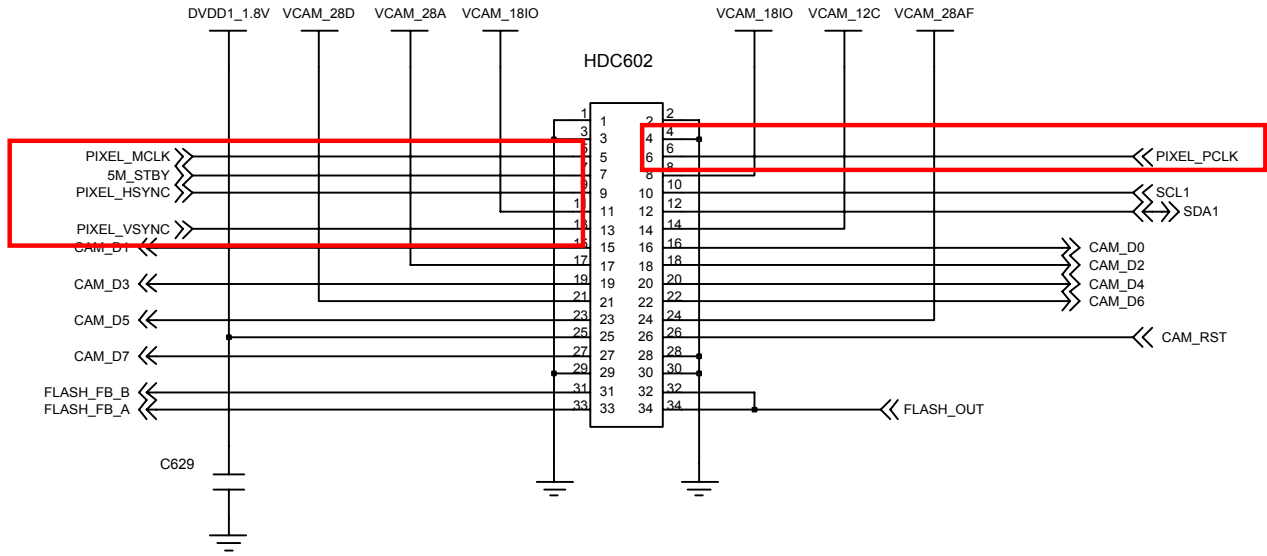


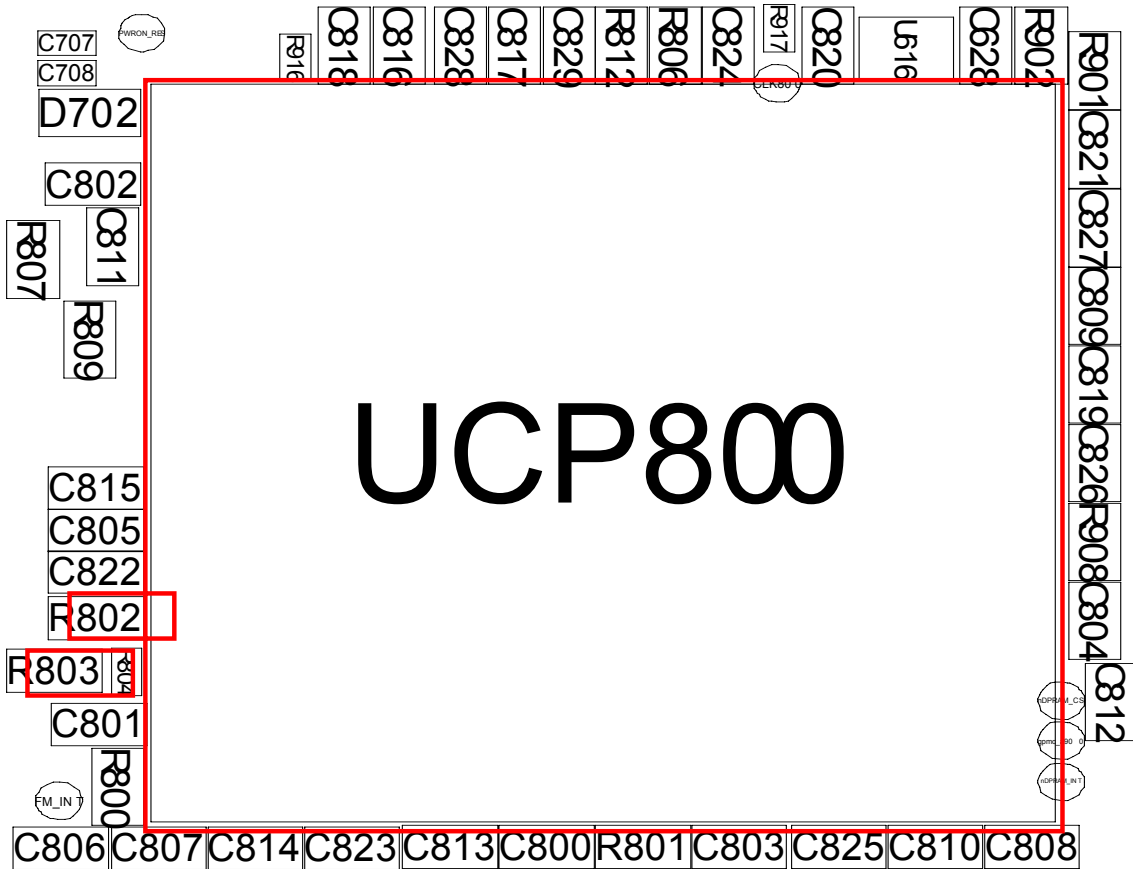
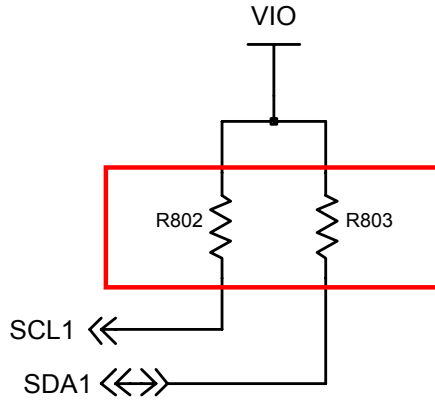
9-1-3 : Abnormal 5M,CIF Camera operation



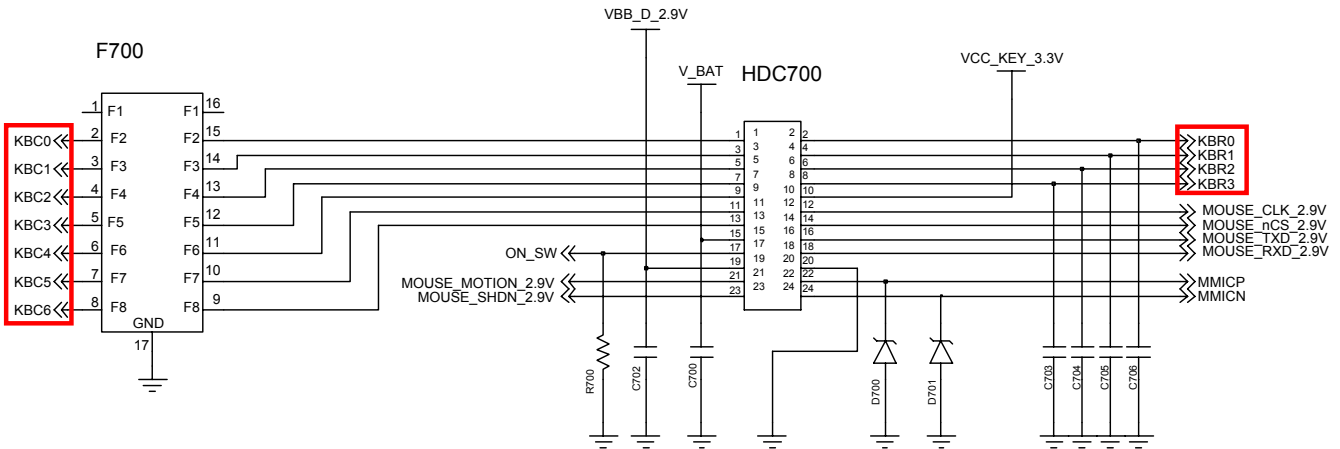
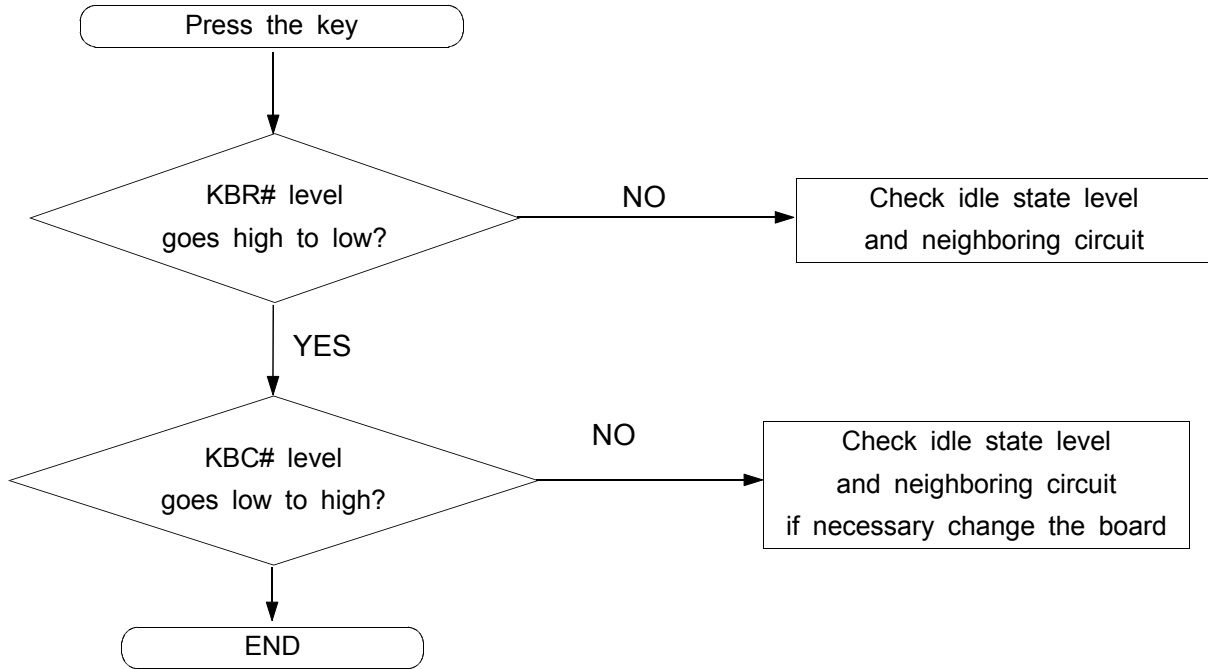


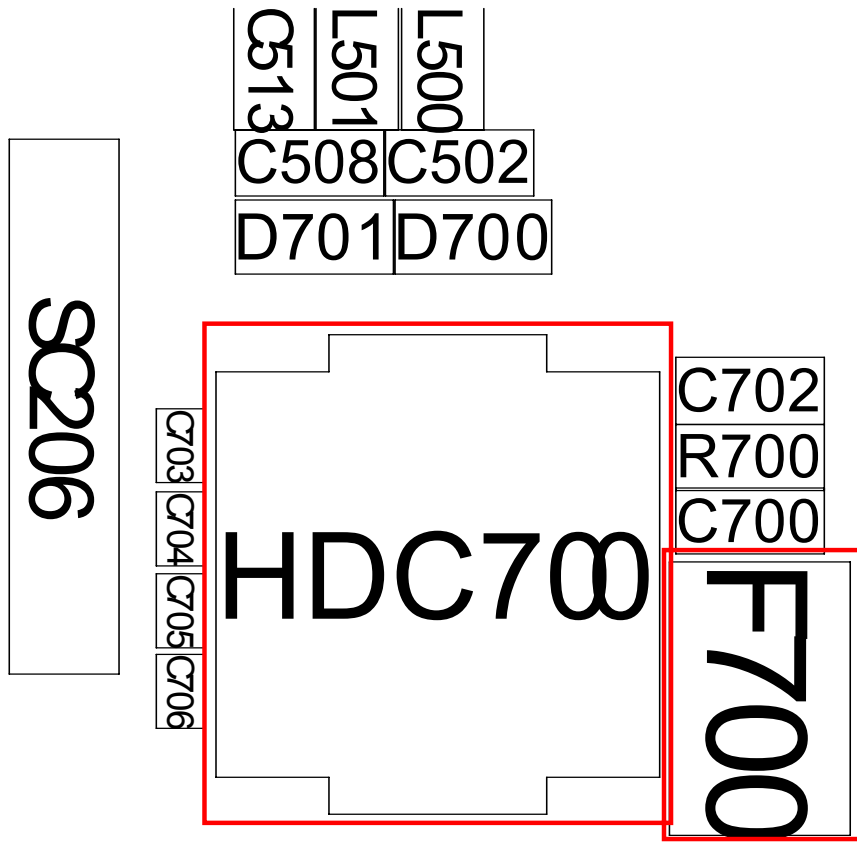




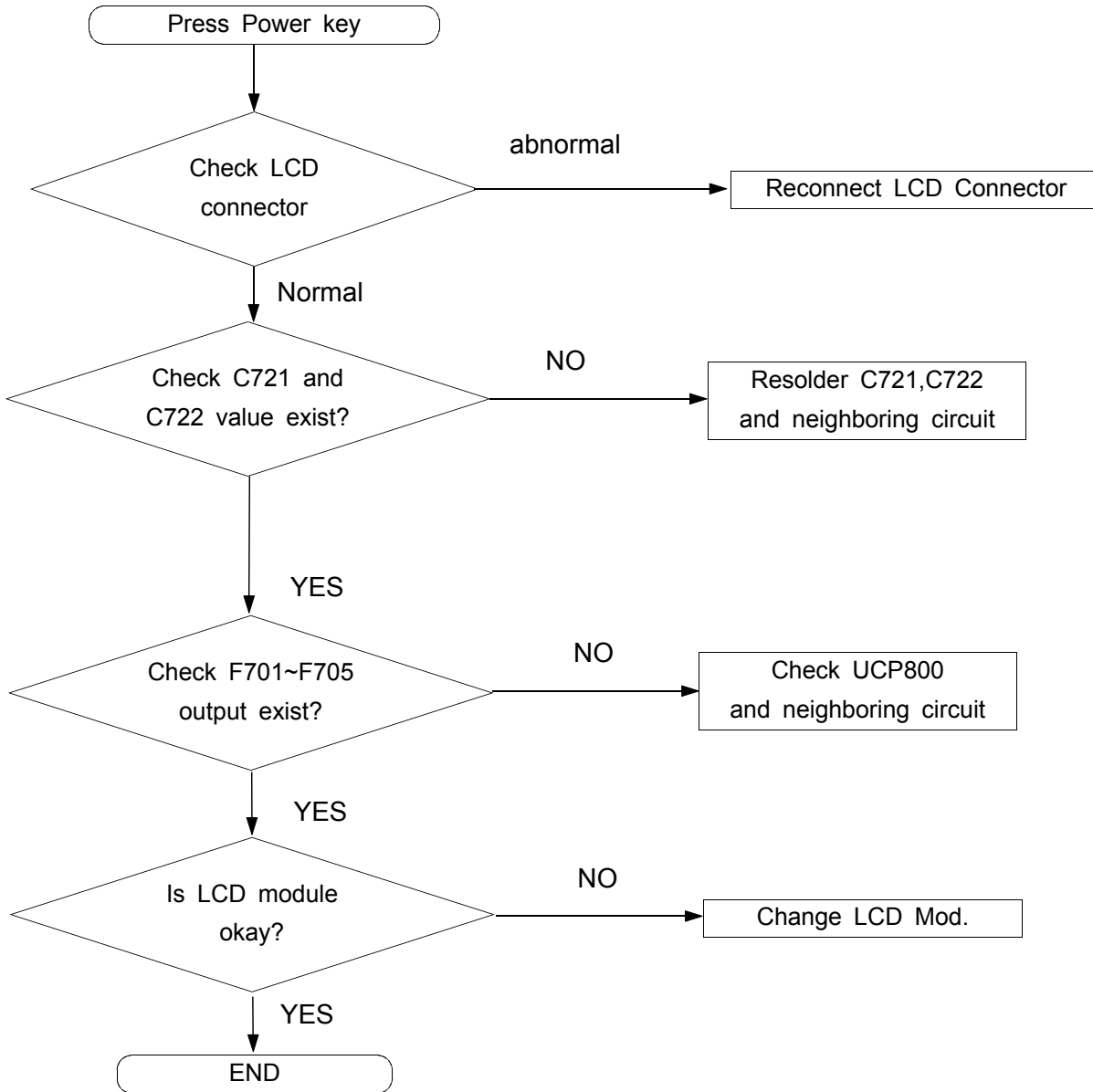


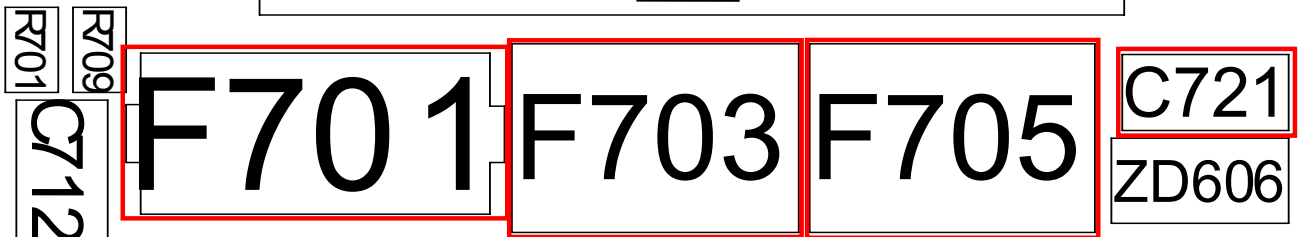
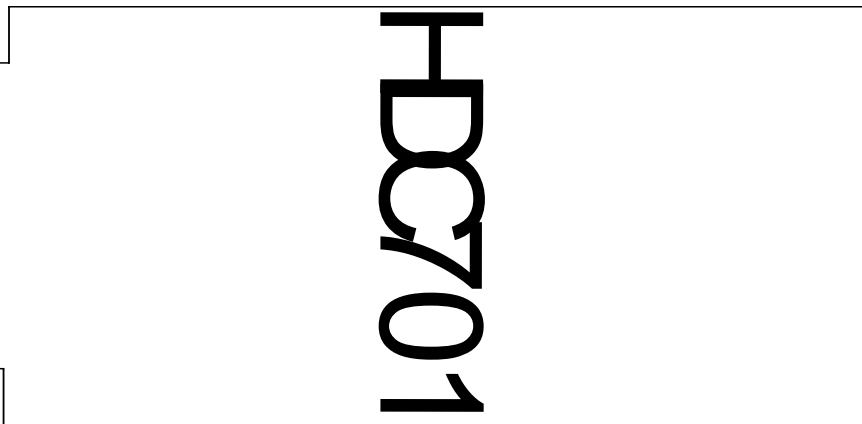
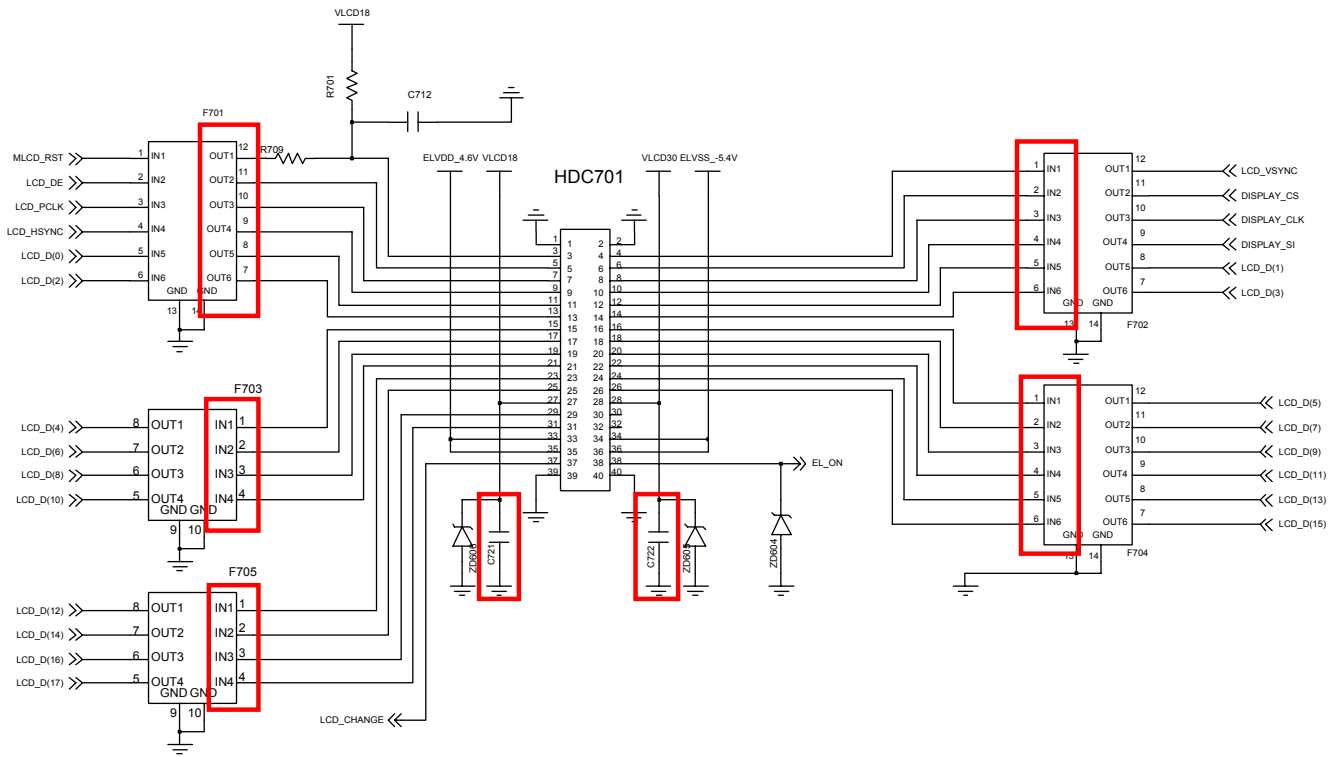
9-1-4 : Abnormal 3X4 KEY operation



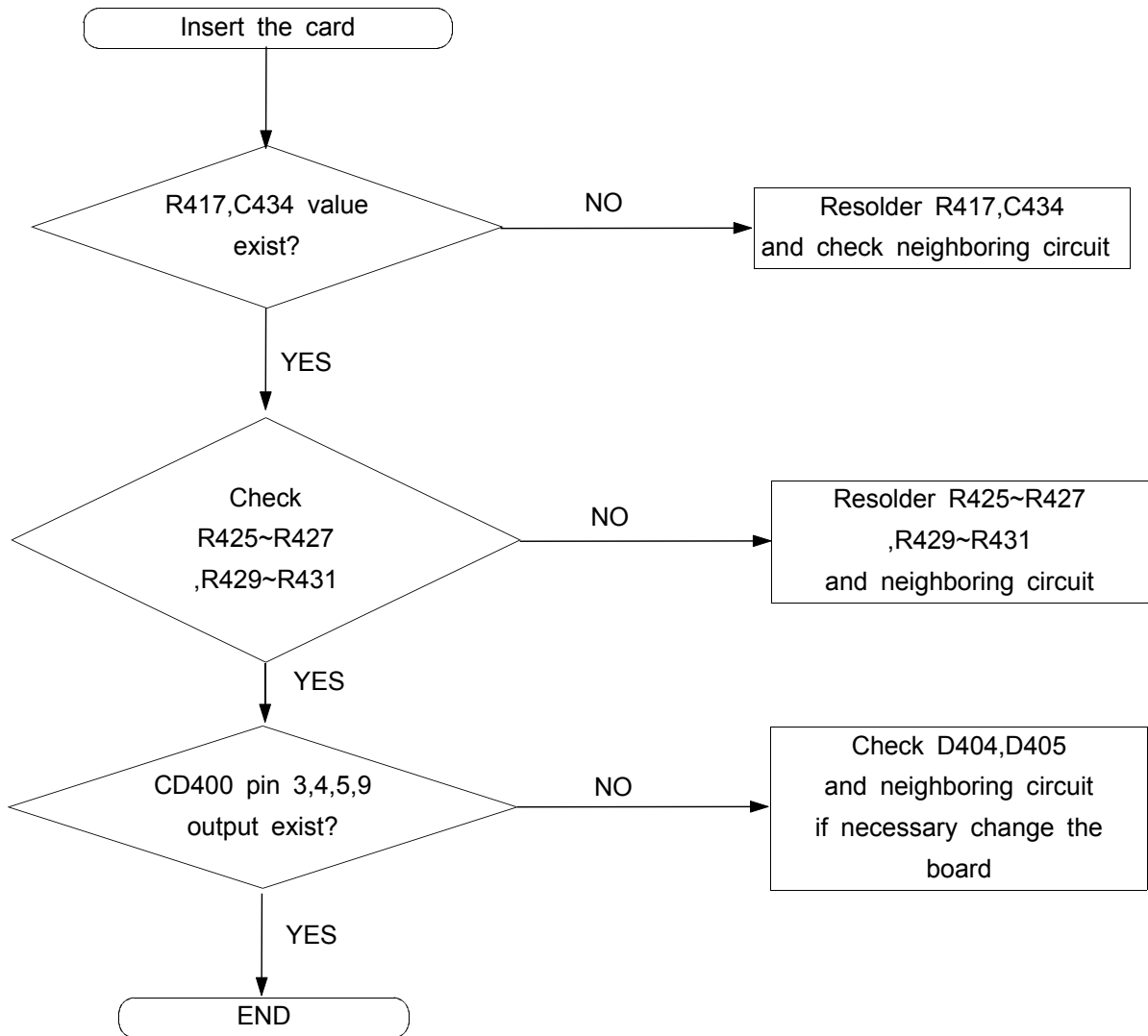


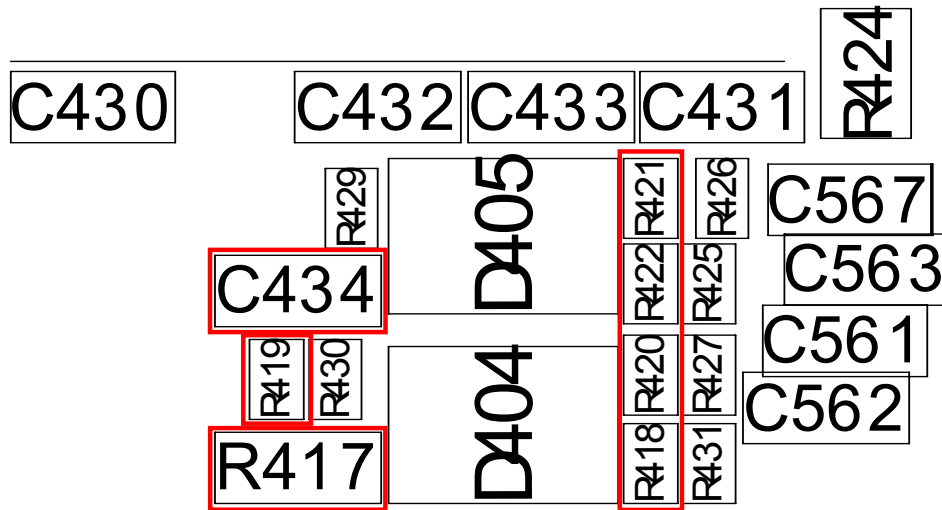
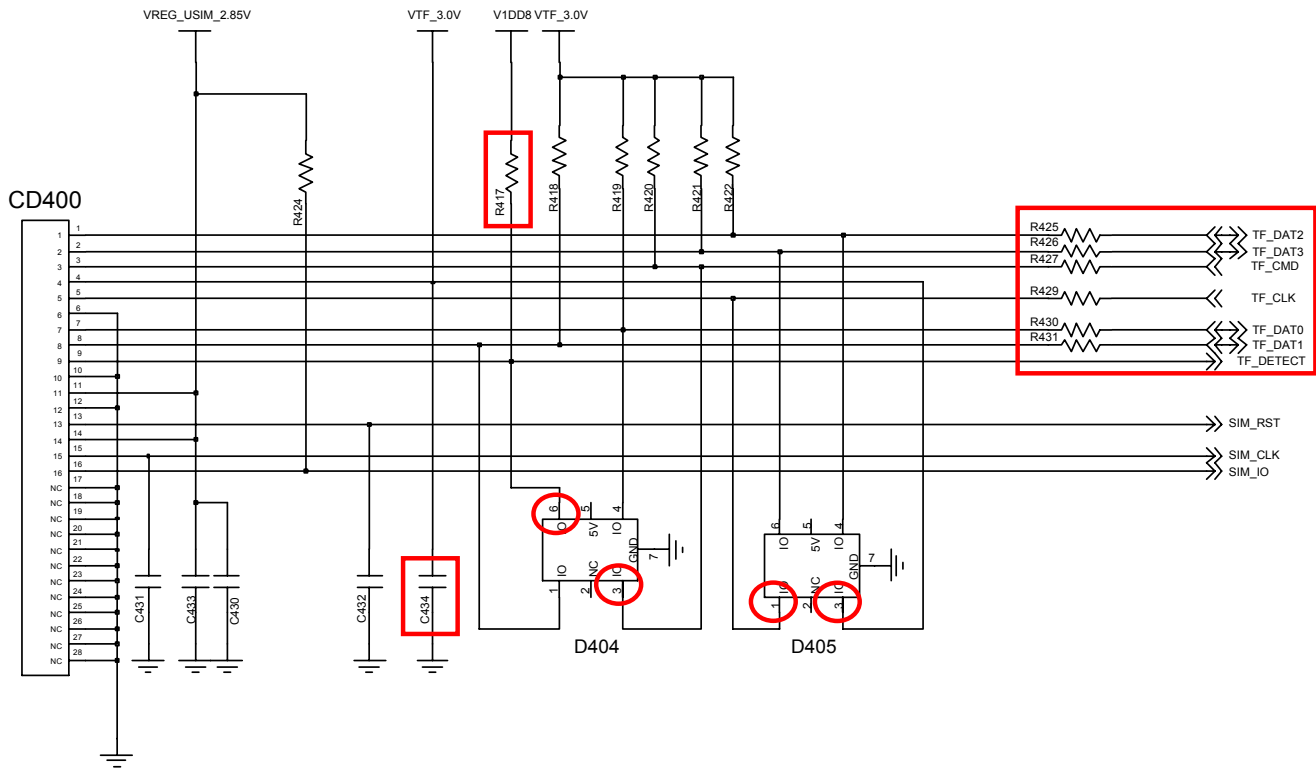
9-1-5 : Abnormal LCD operation



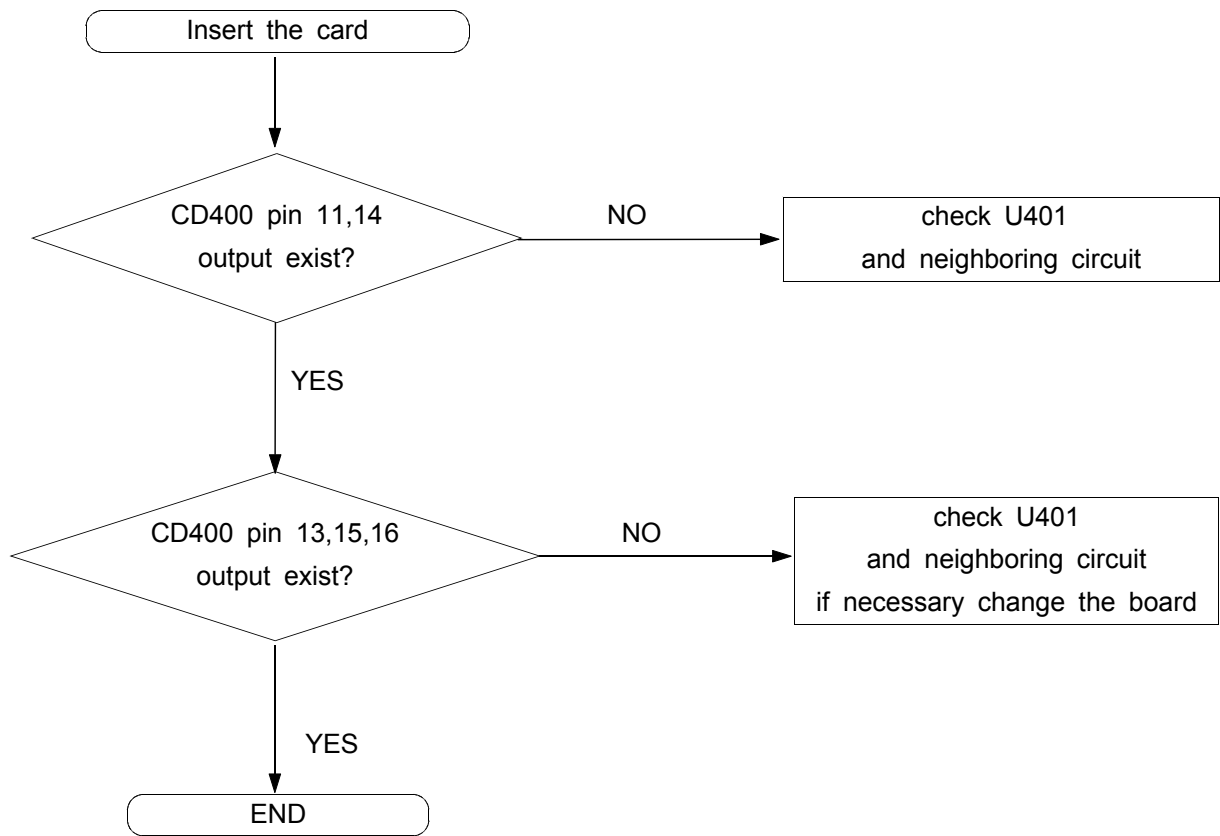


9-1-6 : Abnormal T-Flash operation

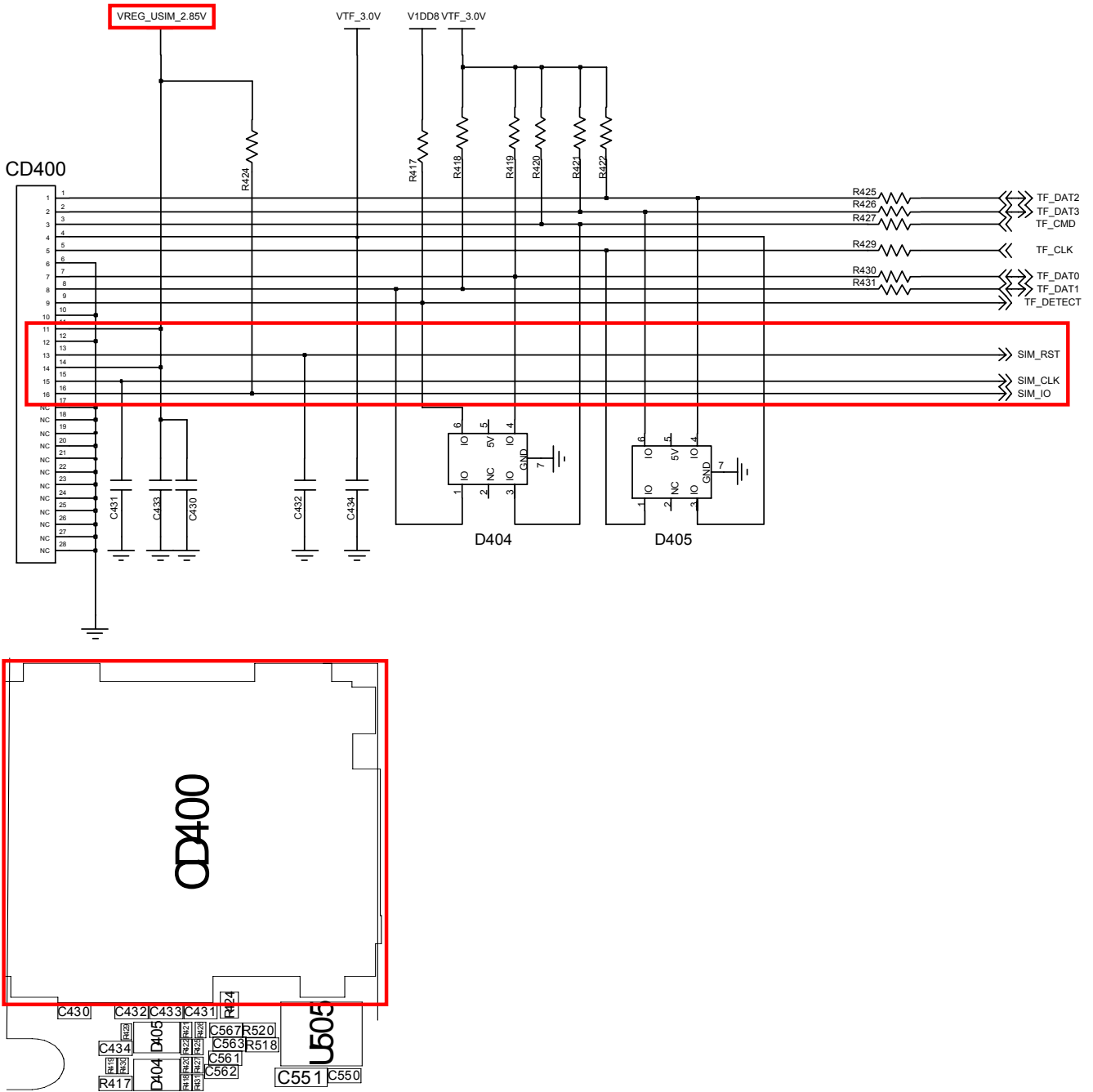




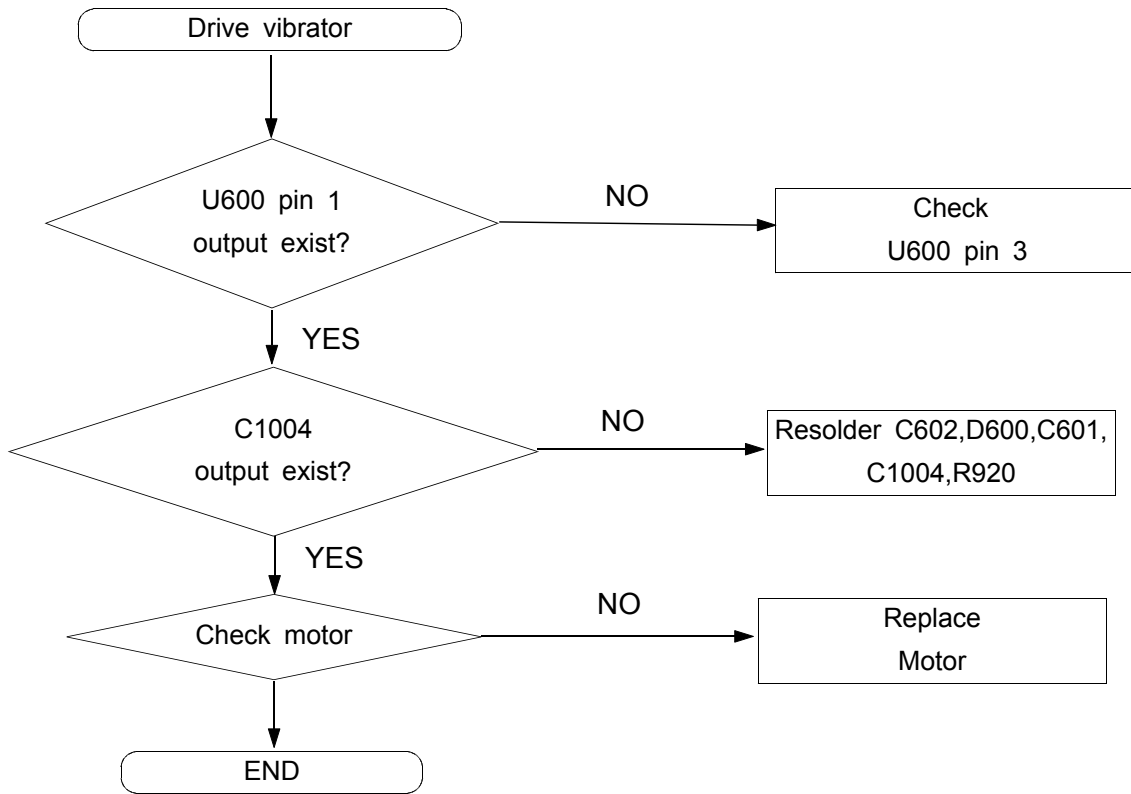
9-1-7 : Abnormal SIM Card operation

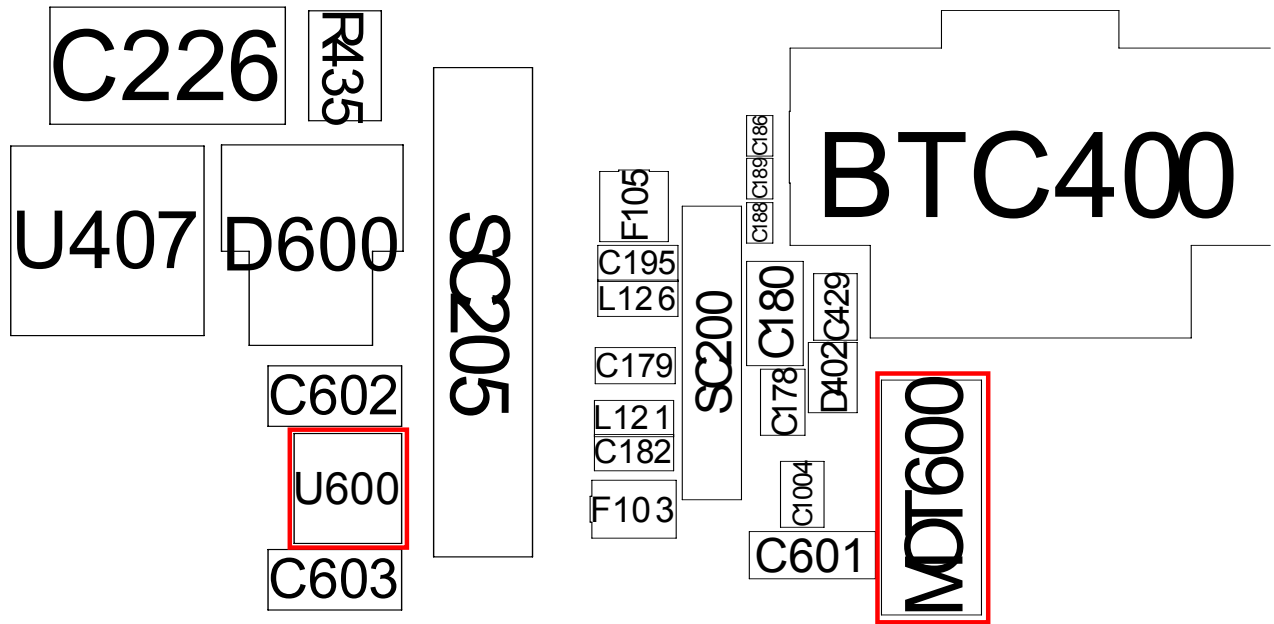
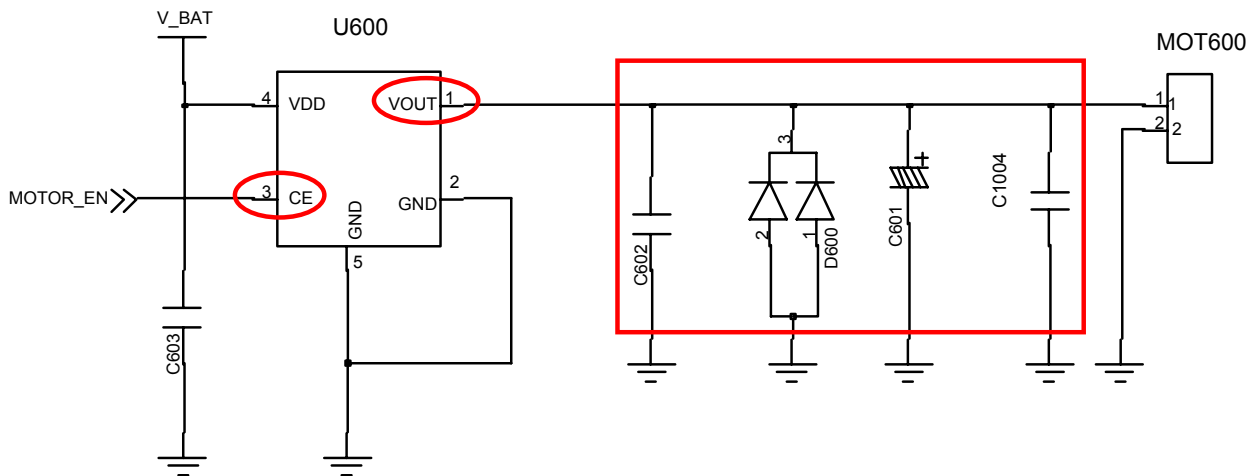


Flow Chart of Troubleshooting

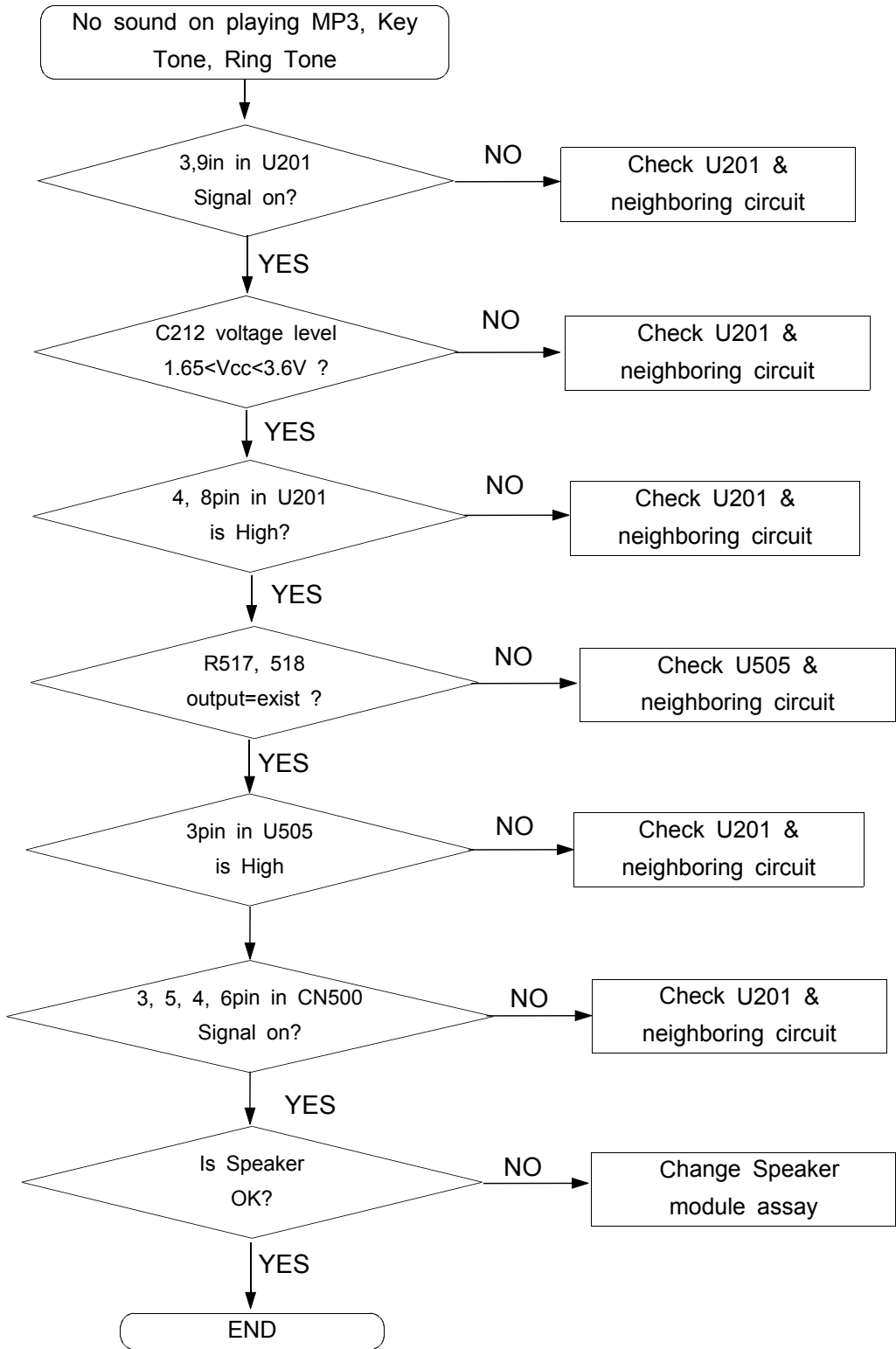


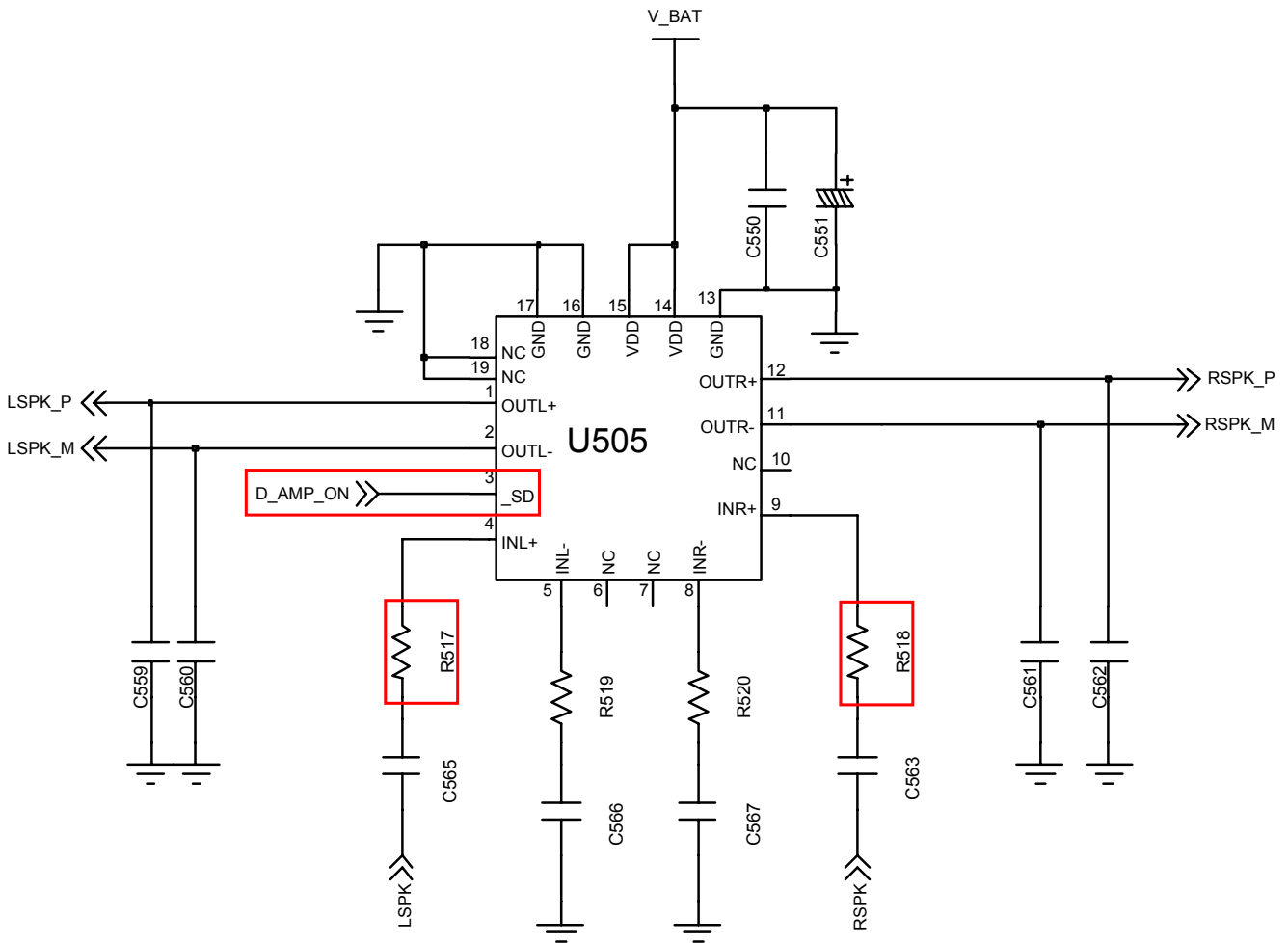
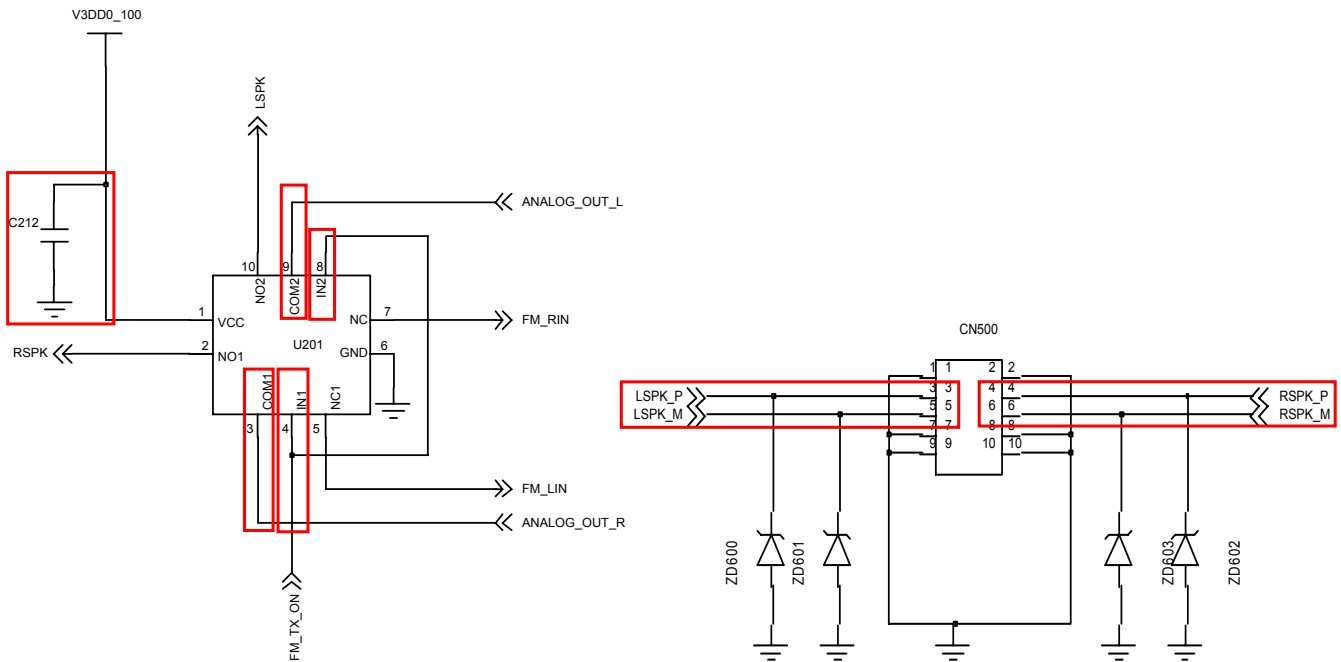
9-1-8 : Abnormal Vibrator operation

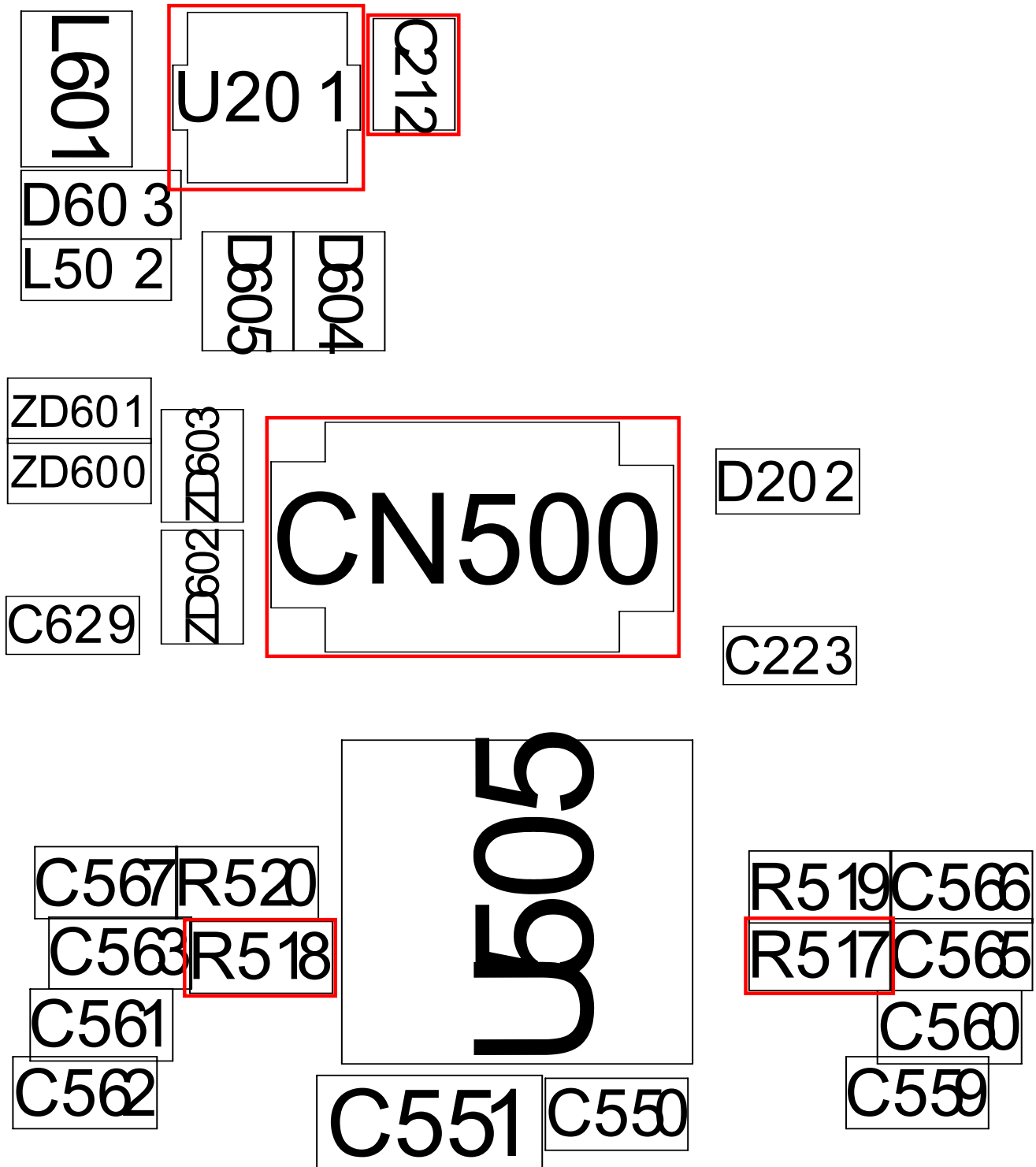




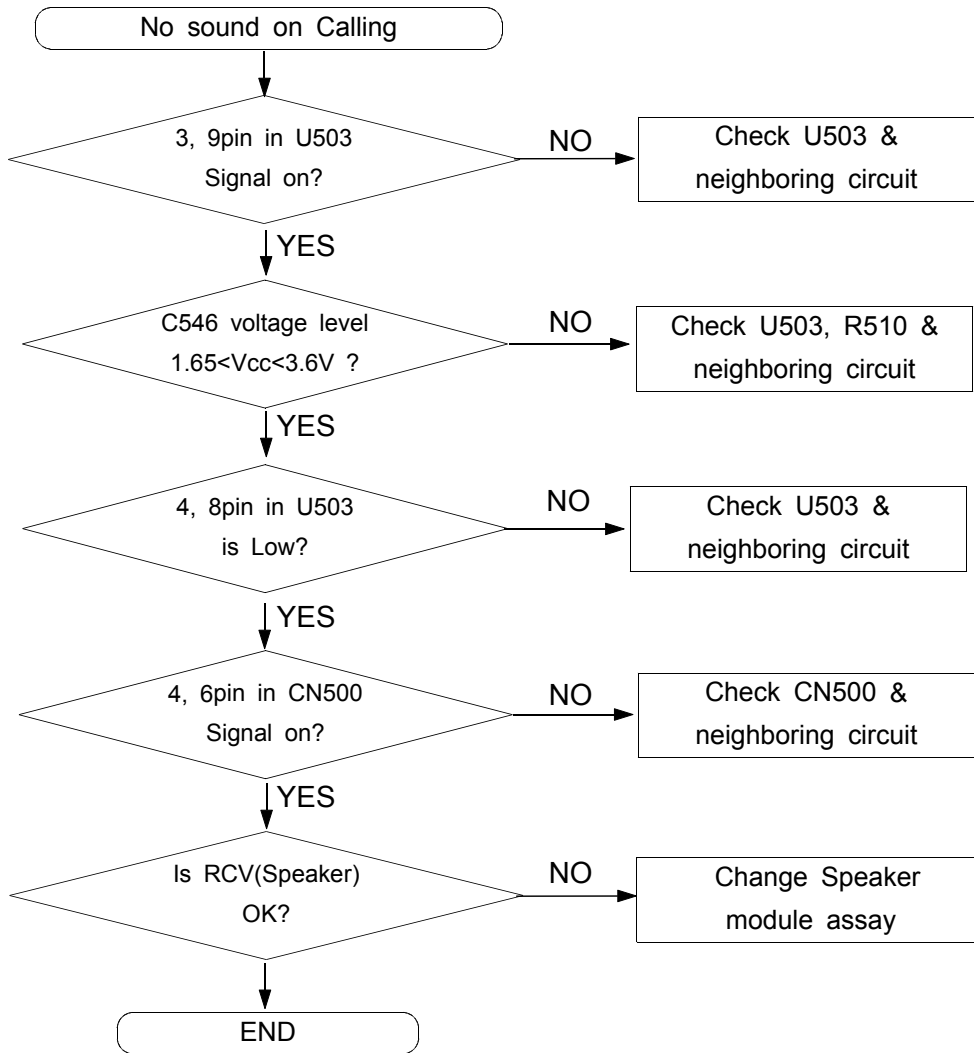
9-1-9 Abnormal Speaker operation

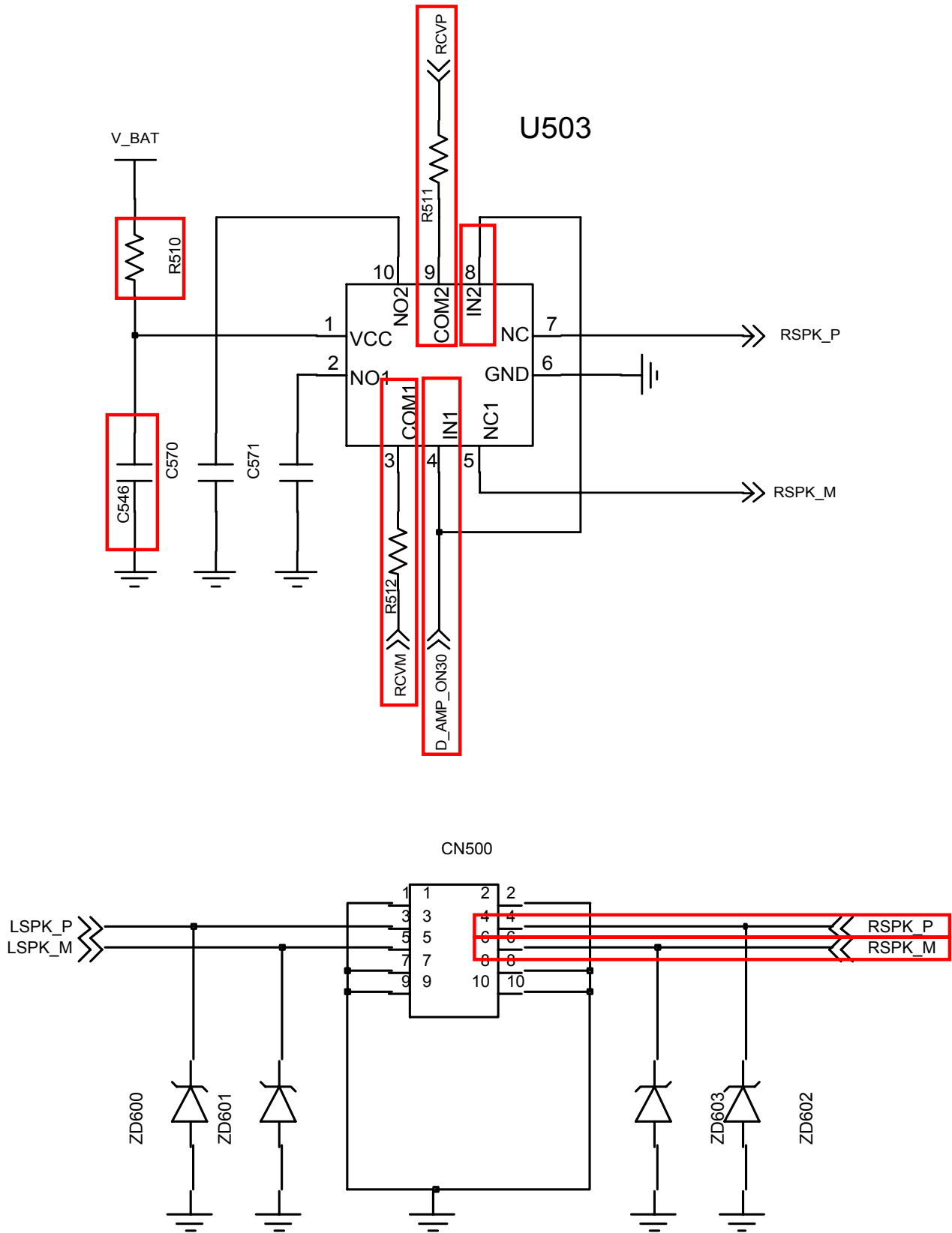


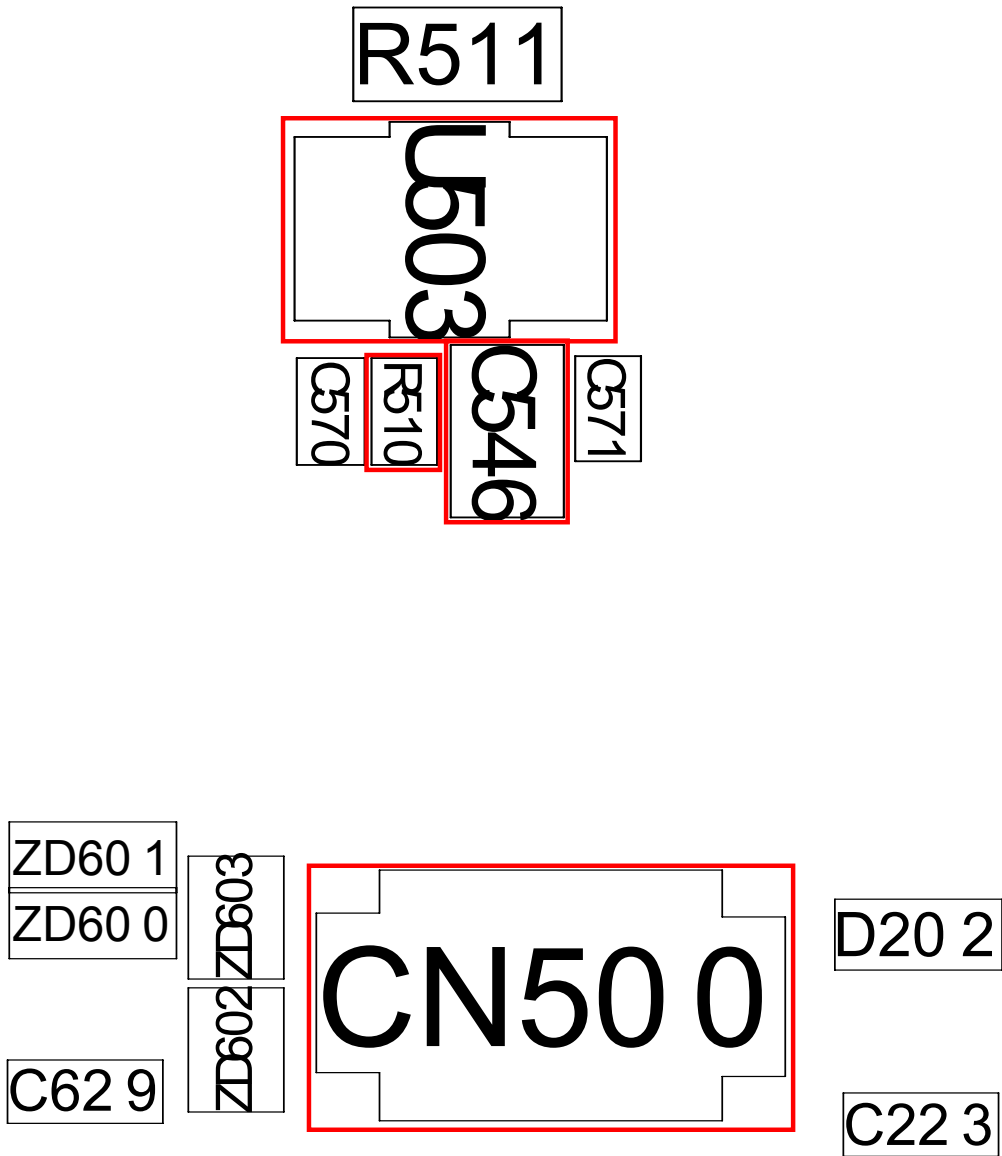




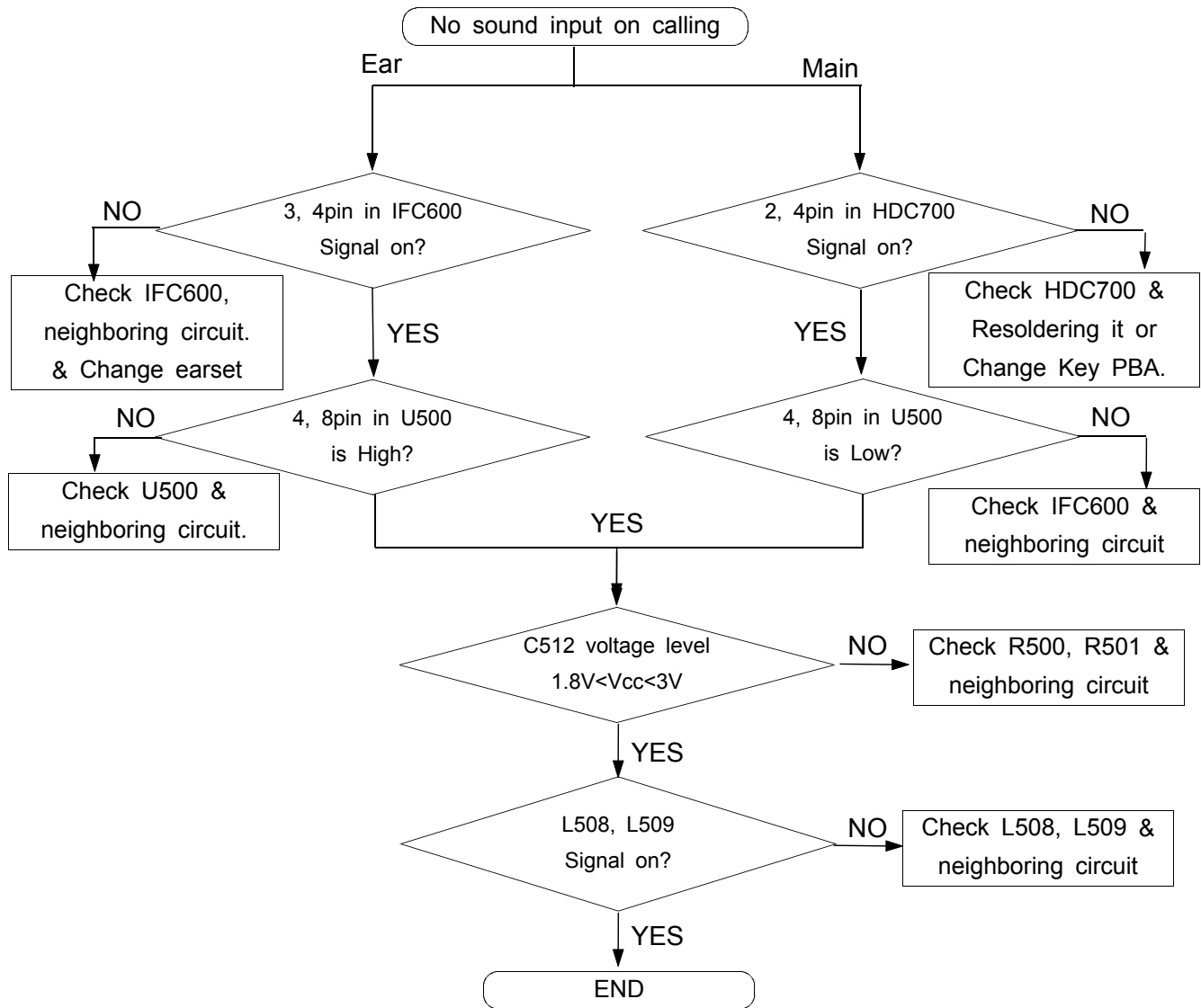
9-1-10 : Abnormal Receiver operation

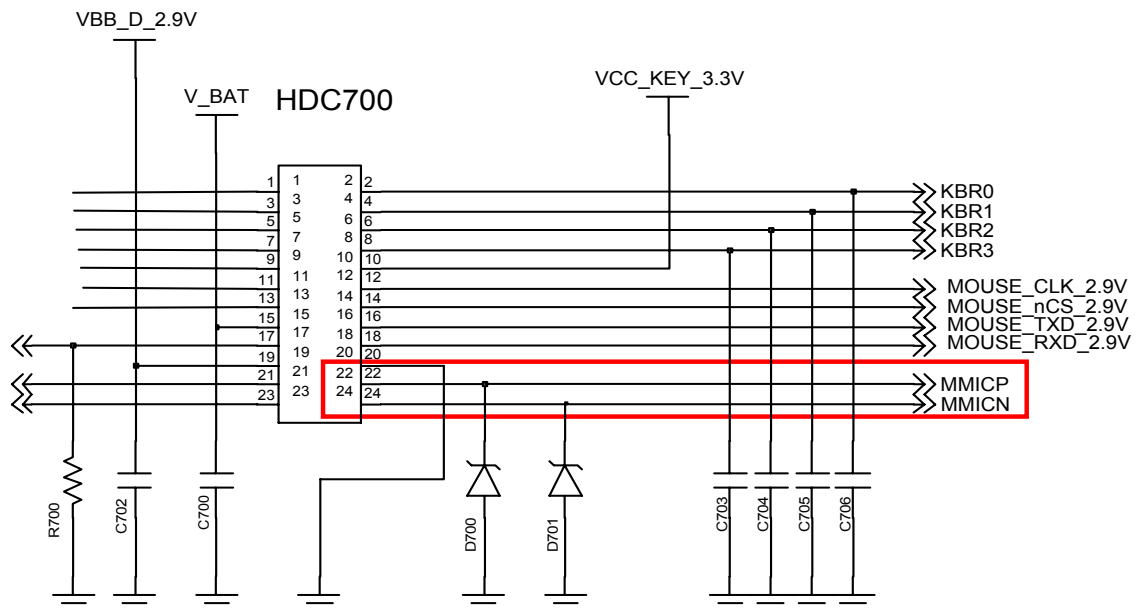
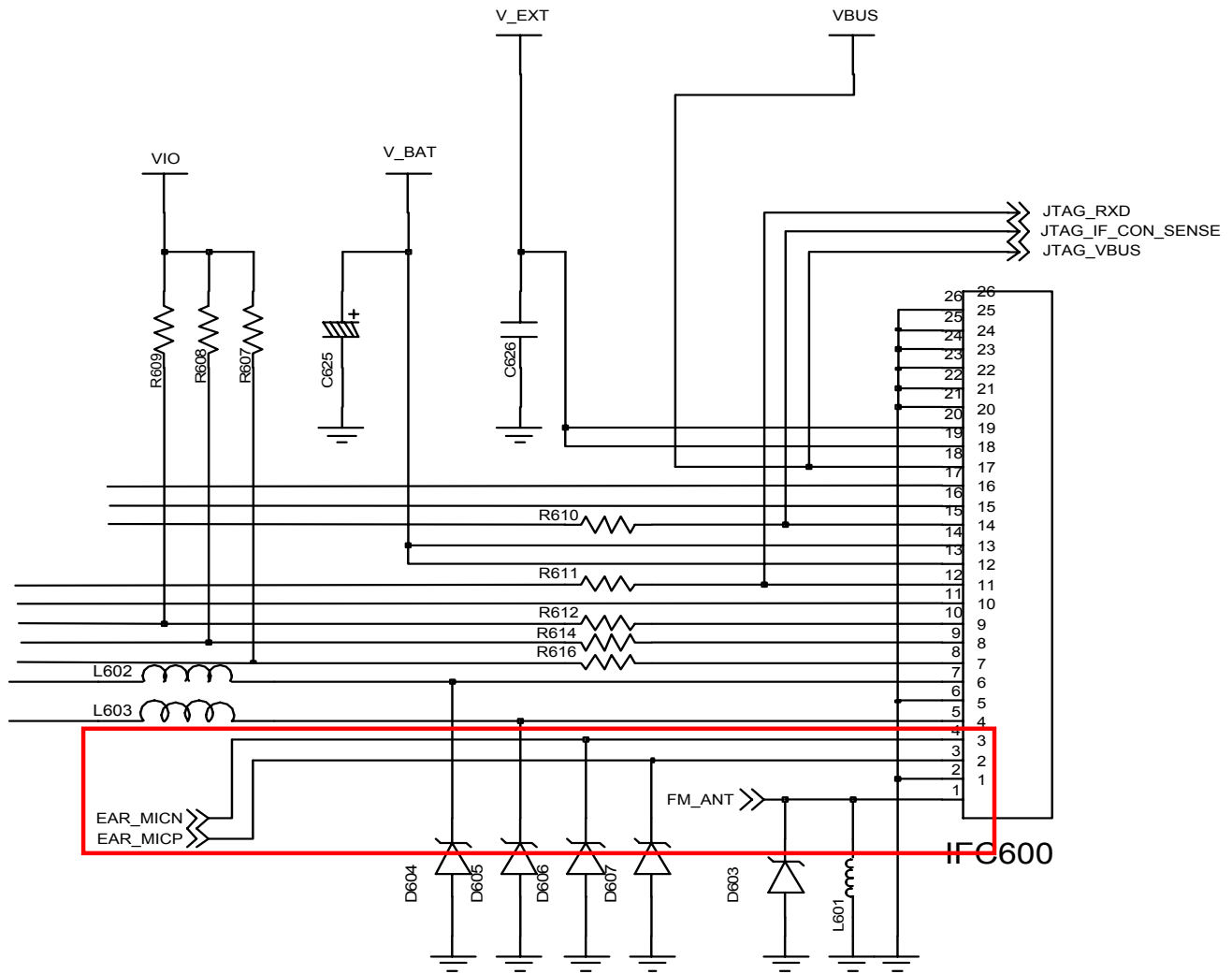


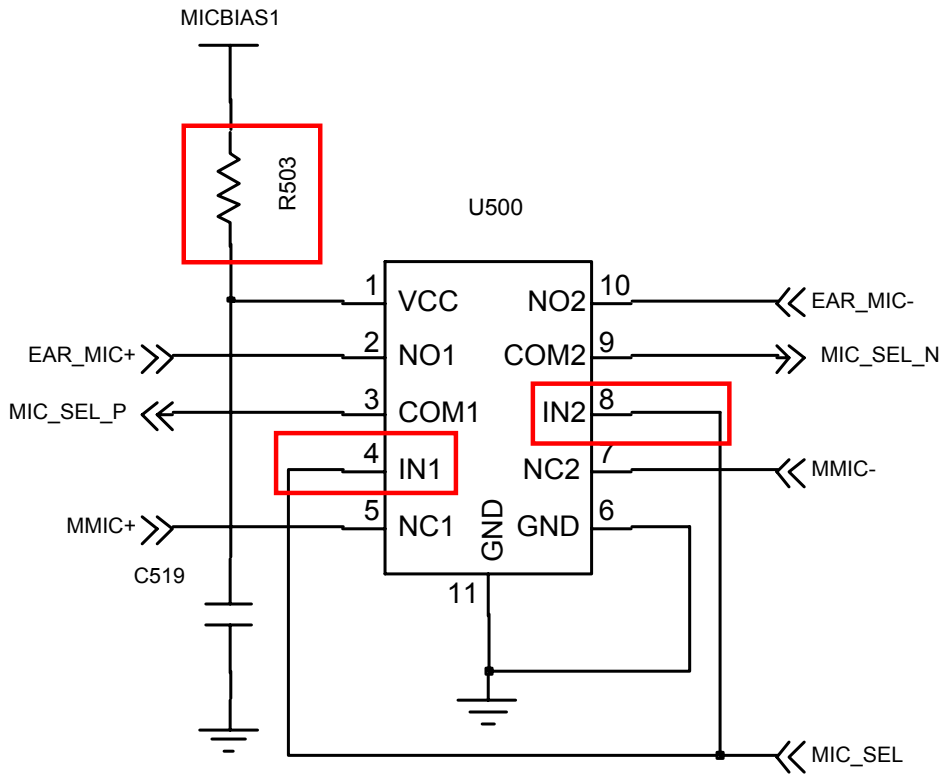
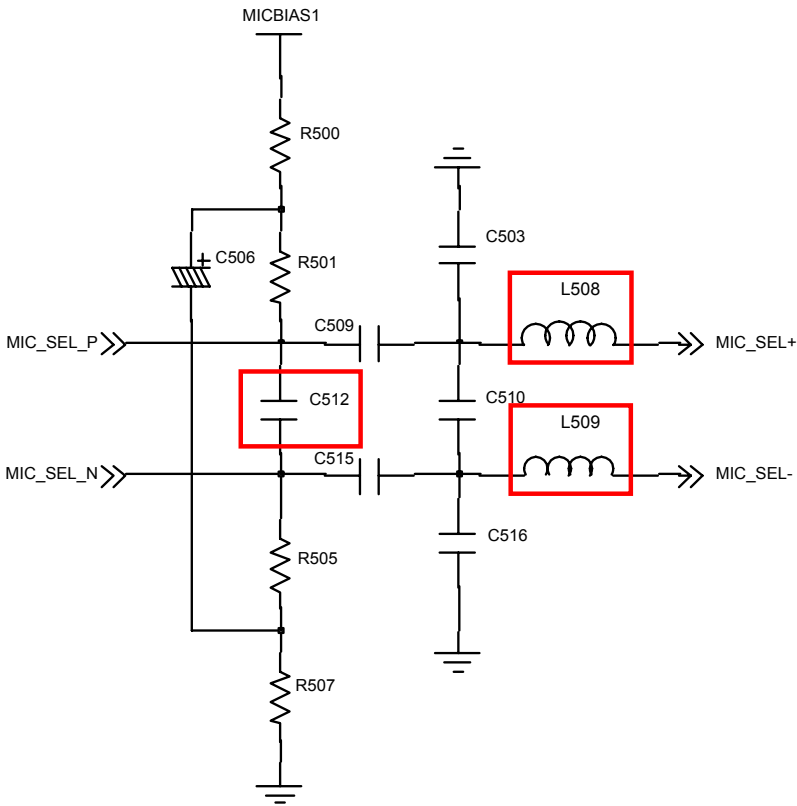


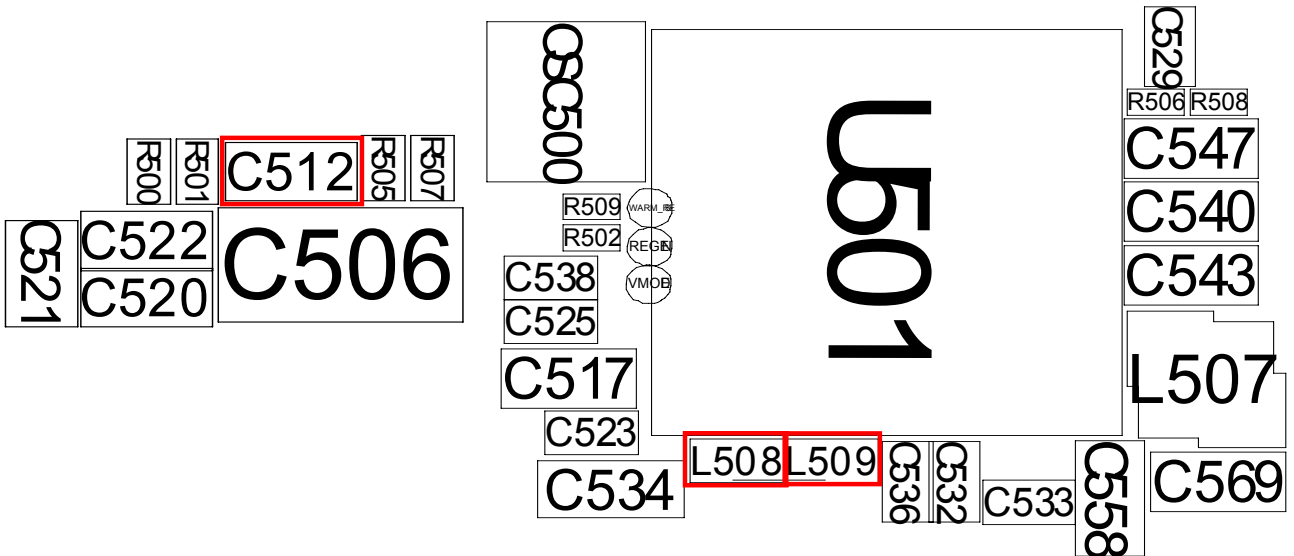
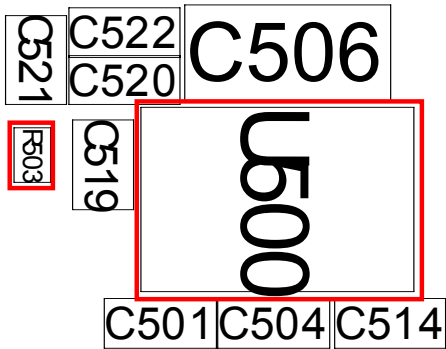
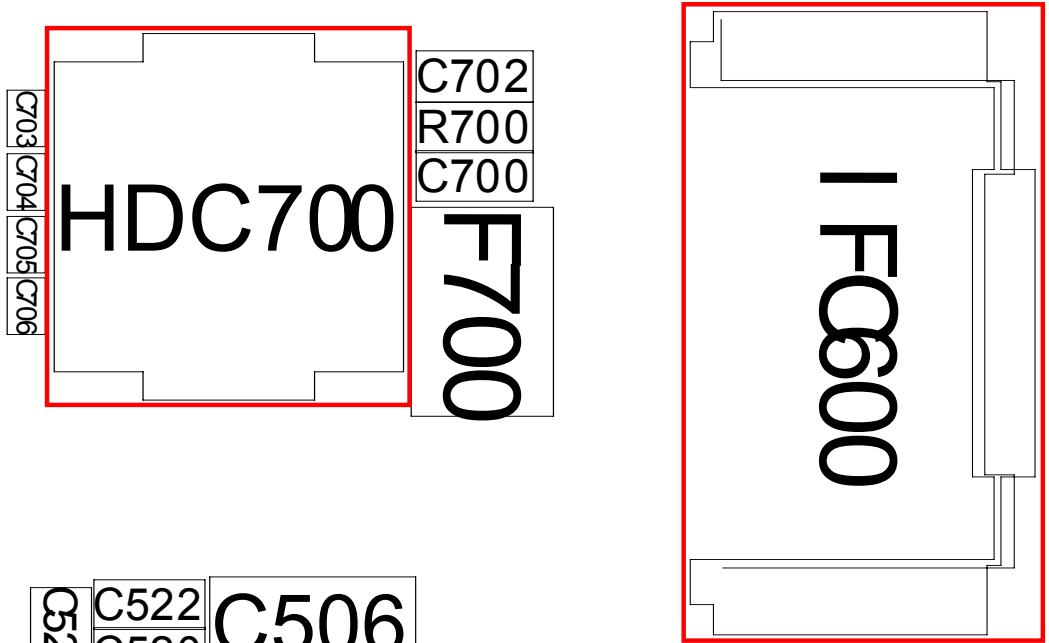


9-1-11 : Abnormal Main & Ear Mic operation

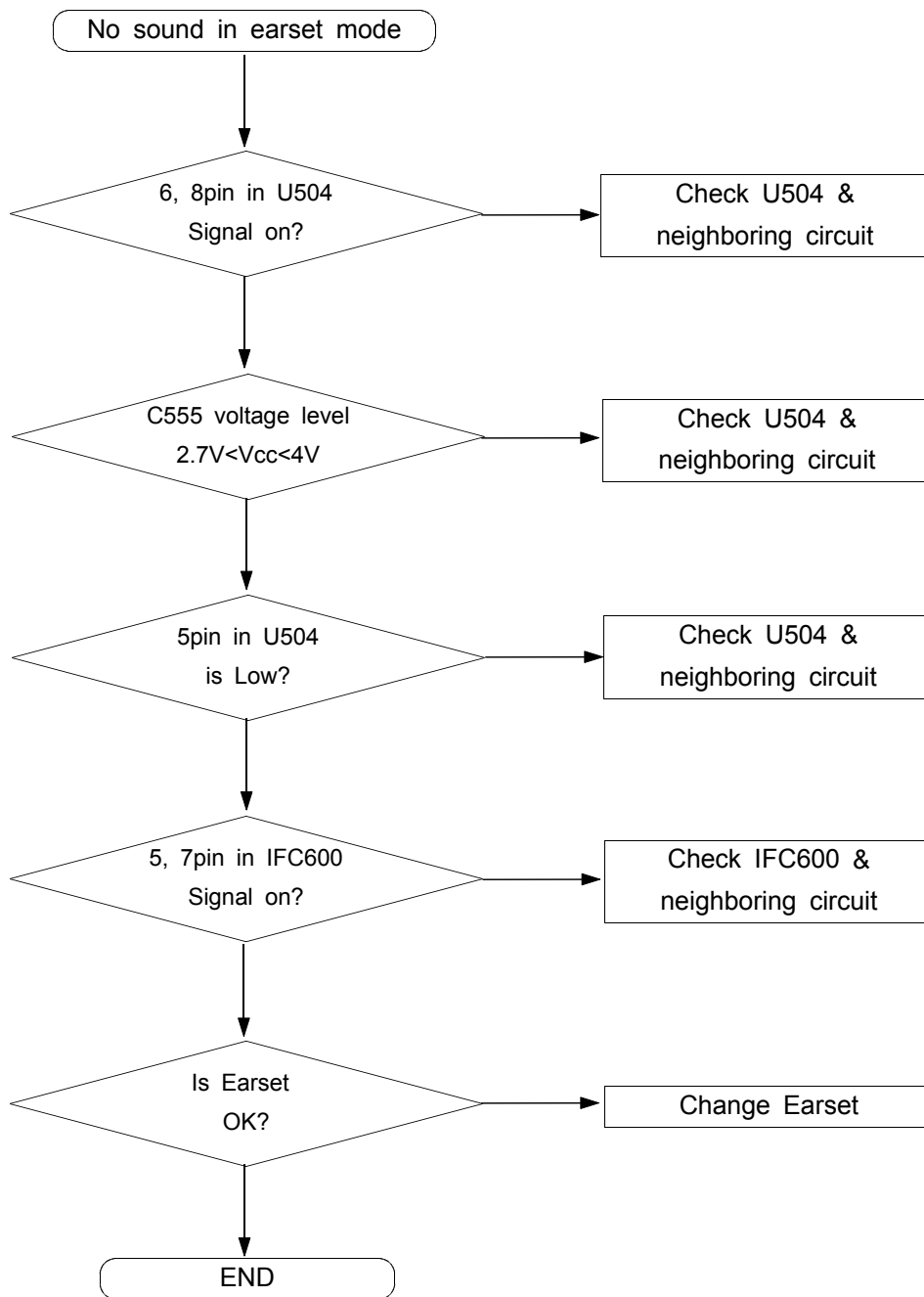


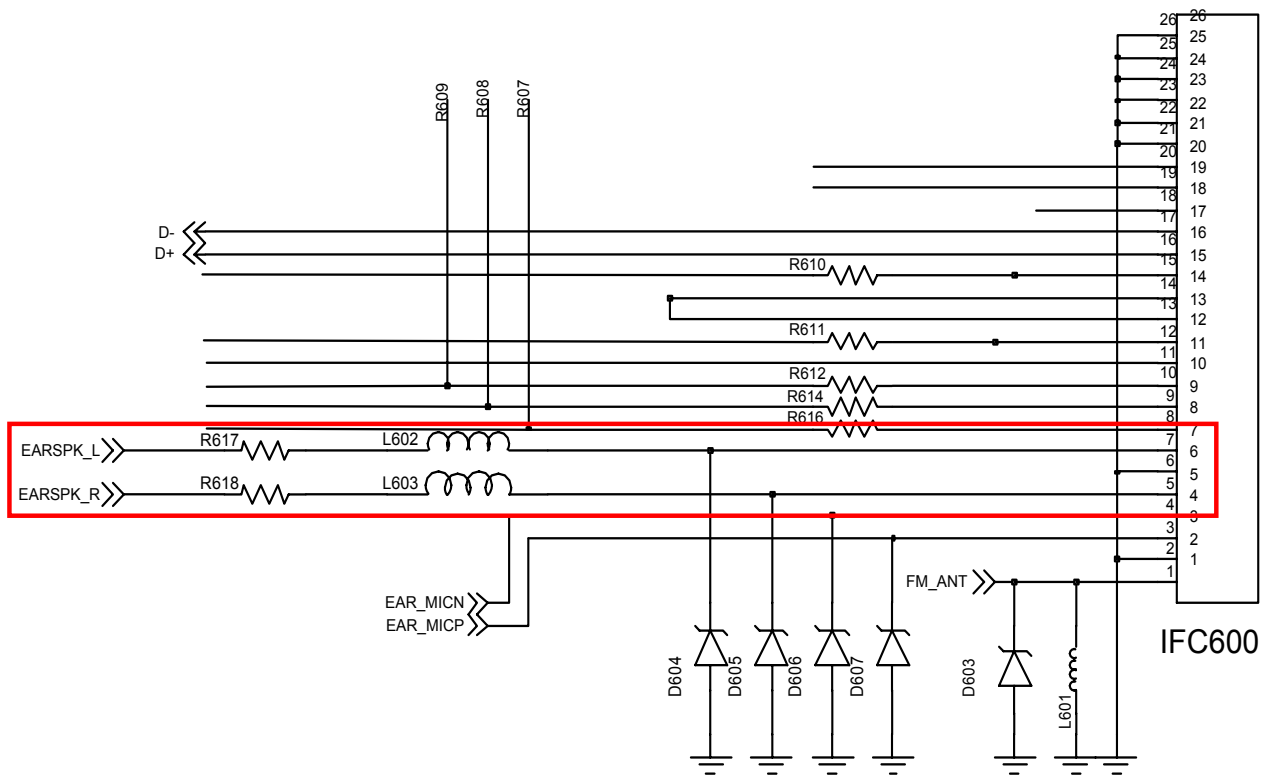
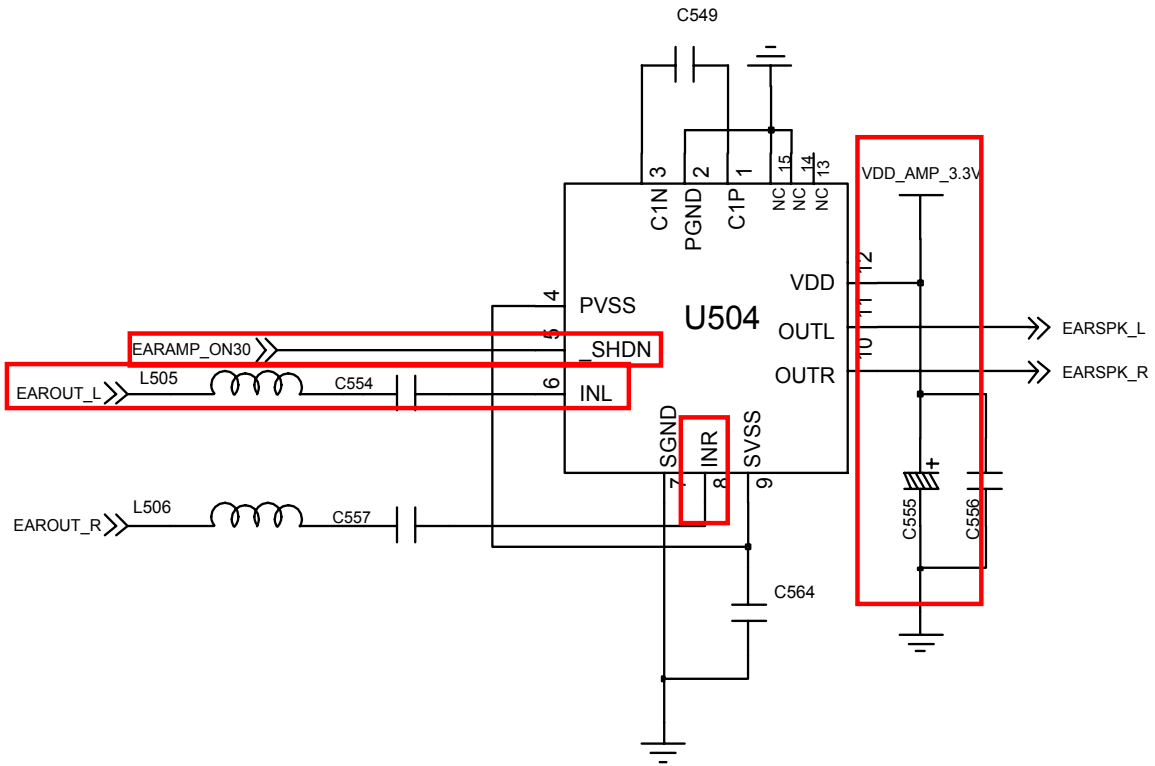


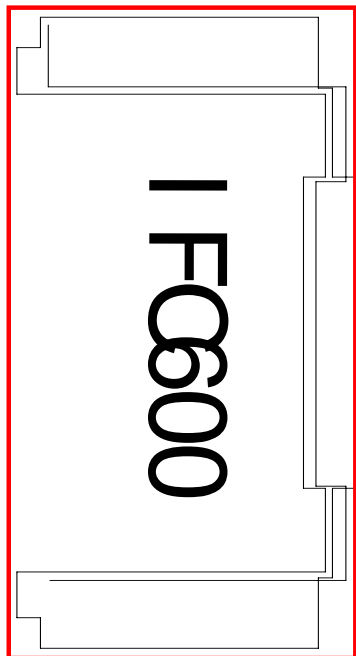
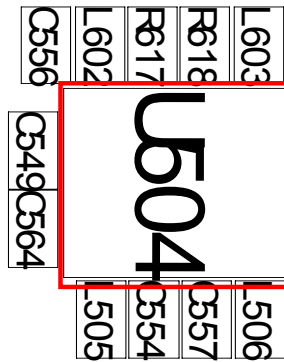
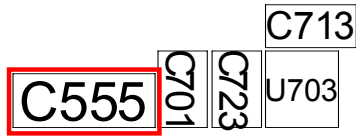




9-1-12 : Abnormal Earset output

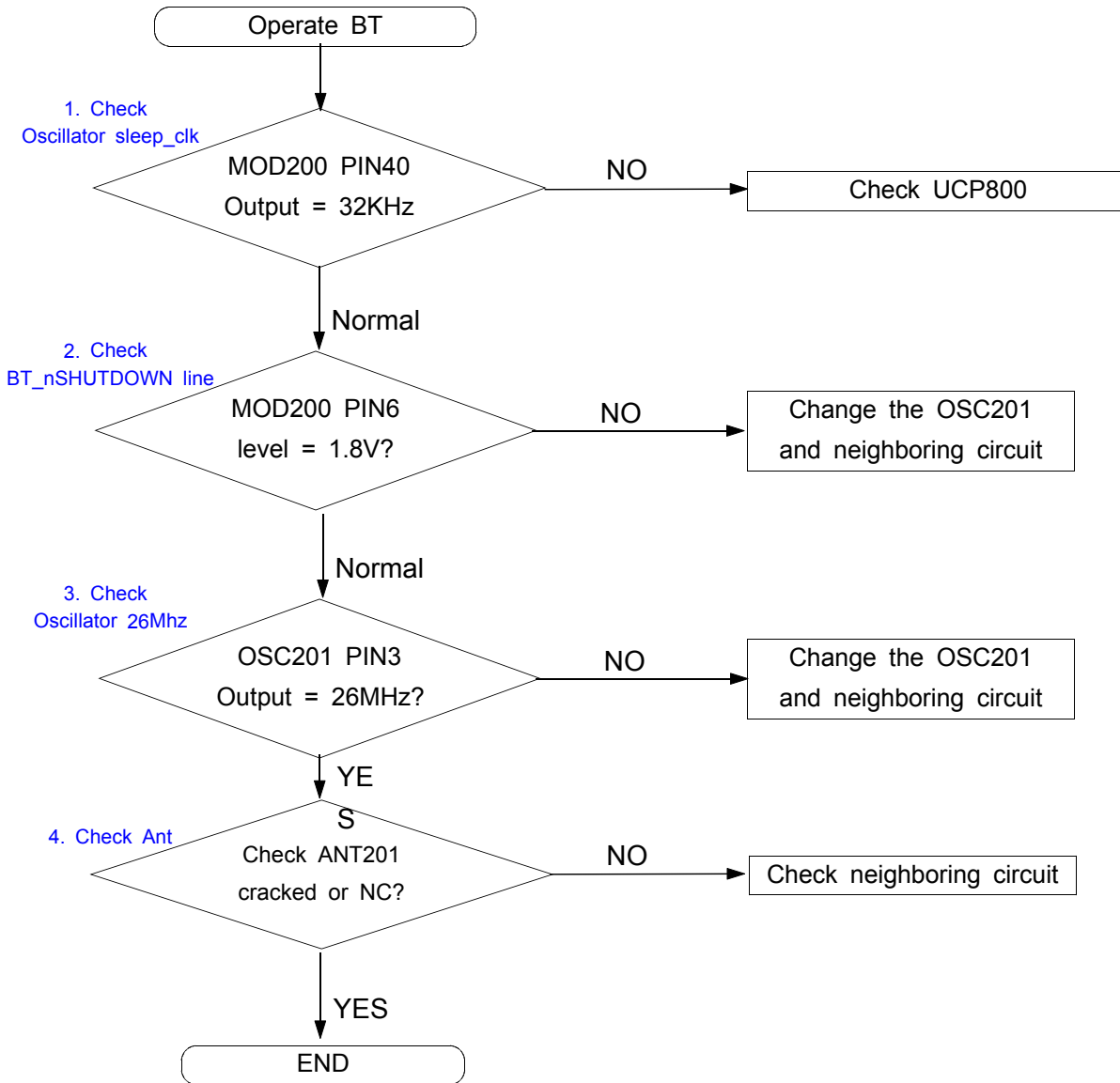




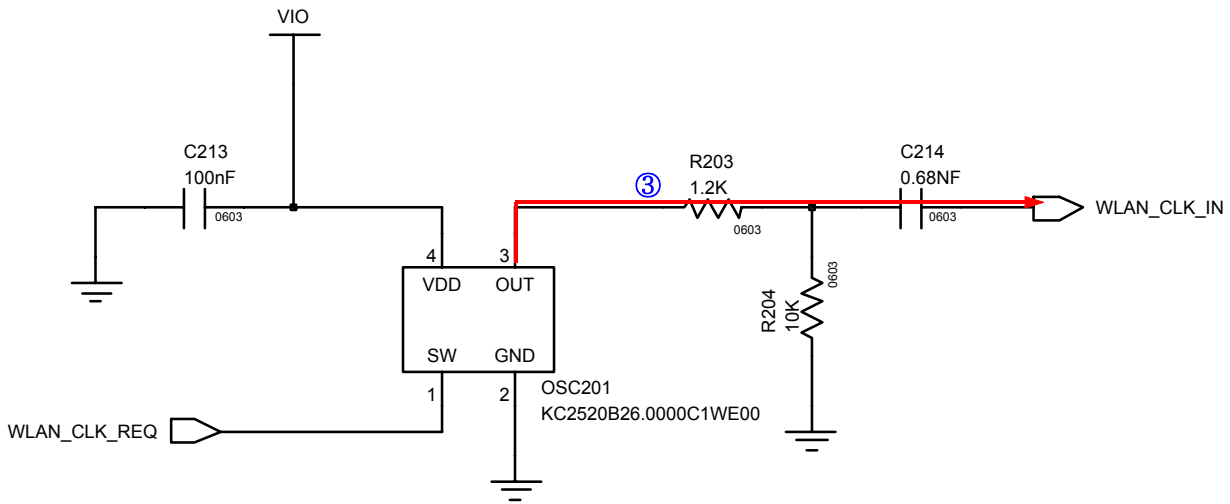
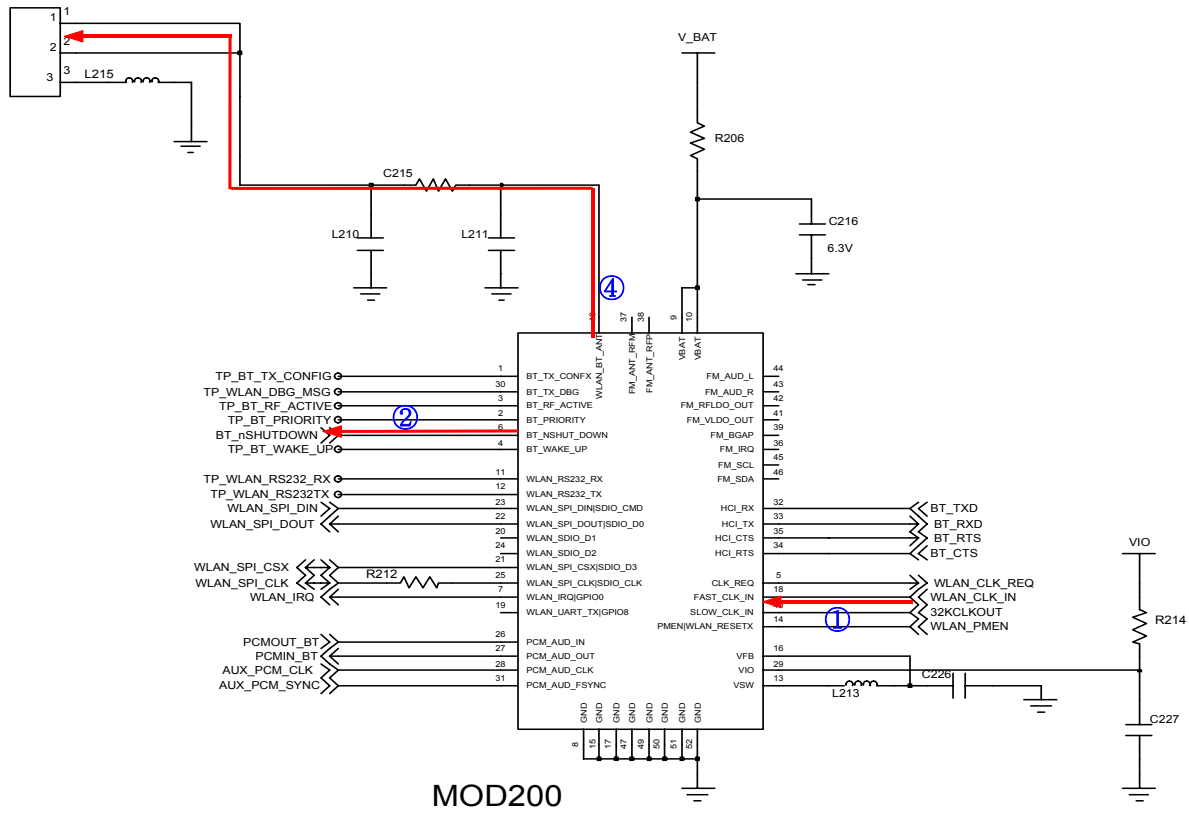


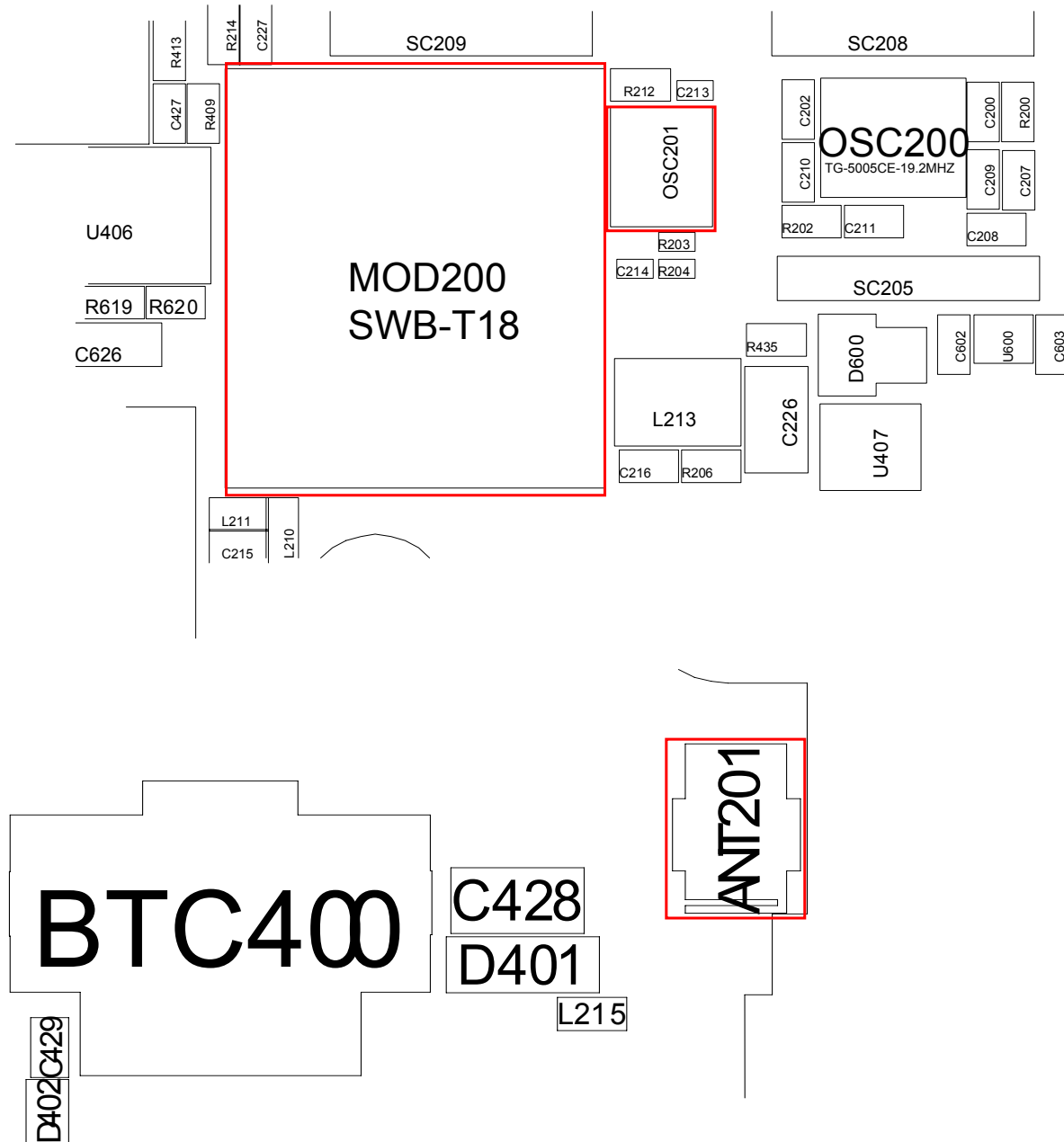
9-2. RF Section

9-2-1. Abnormal Bluetooth Operation



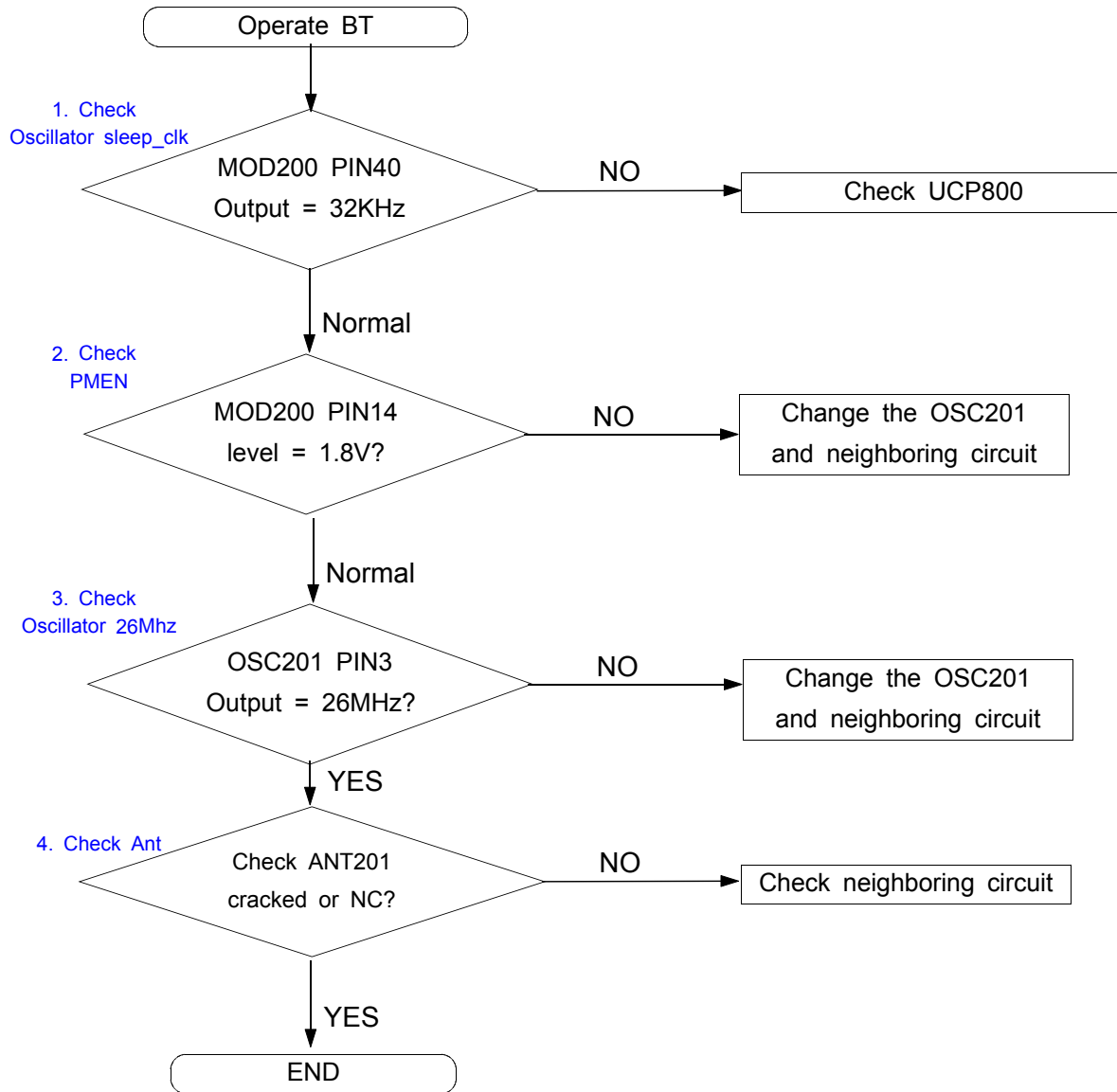
ANT201



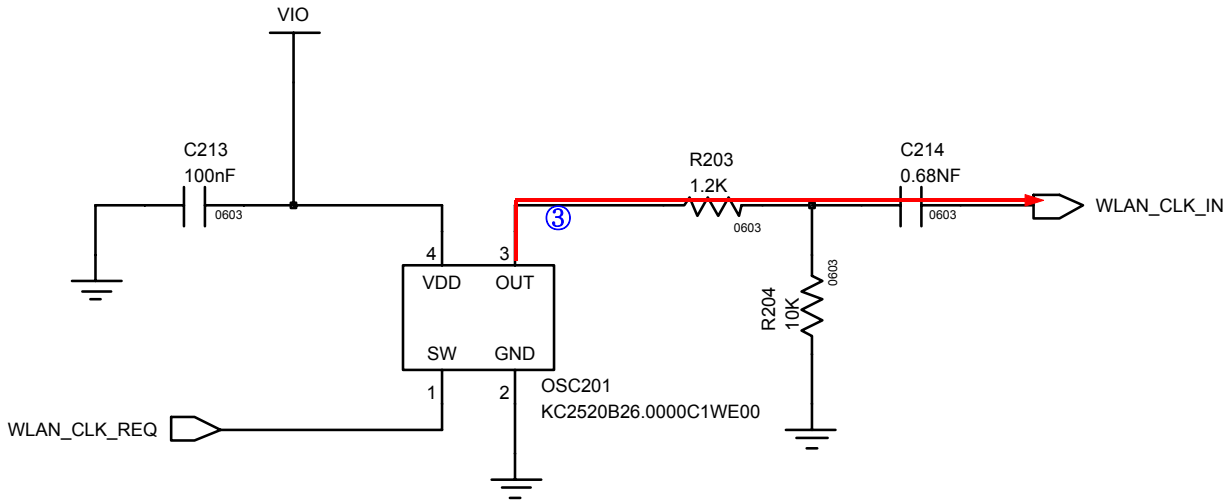
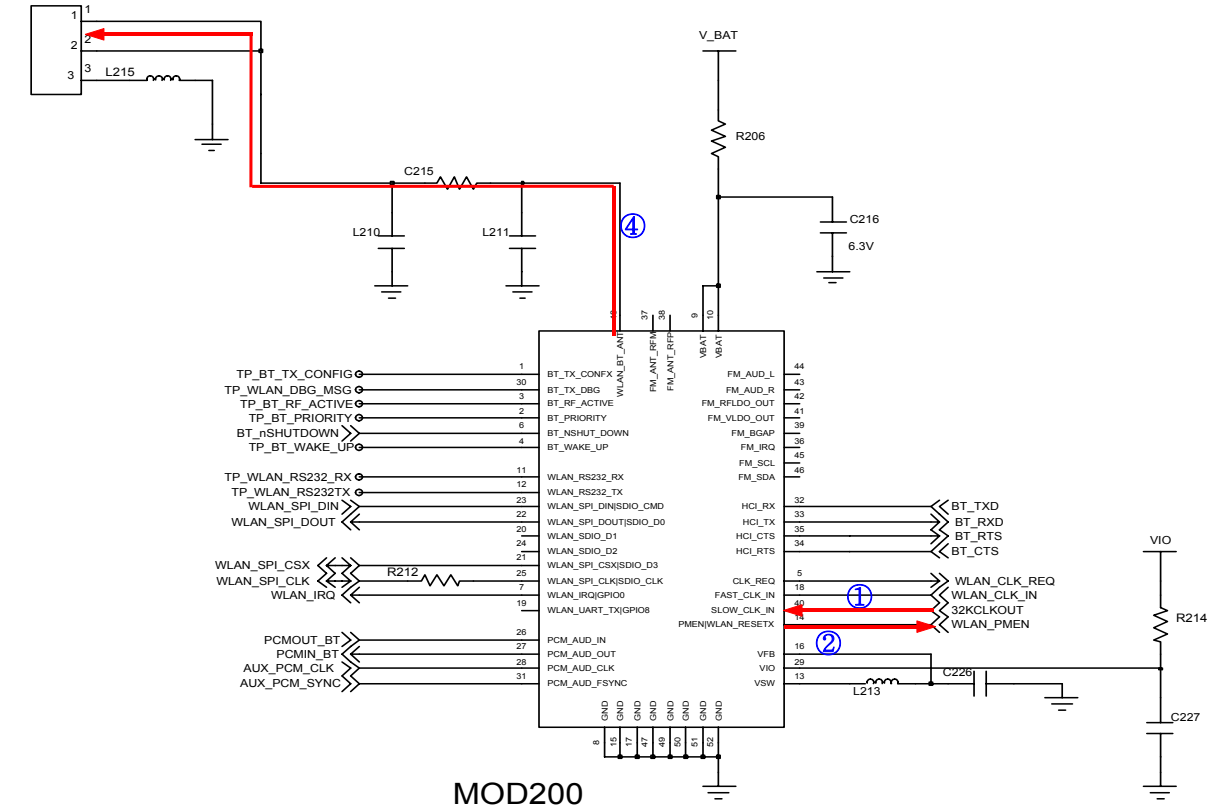


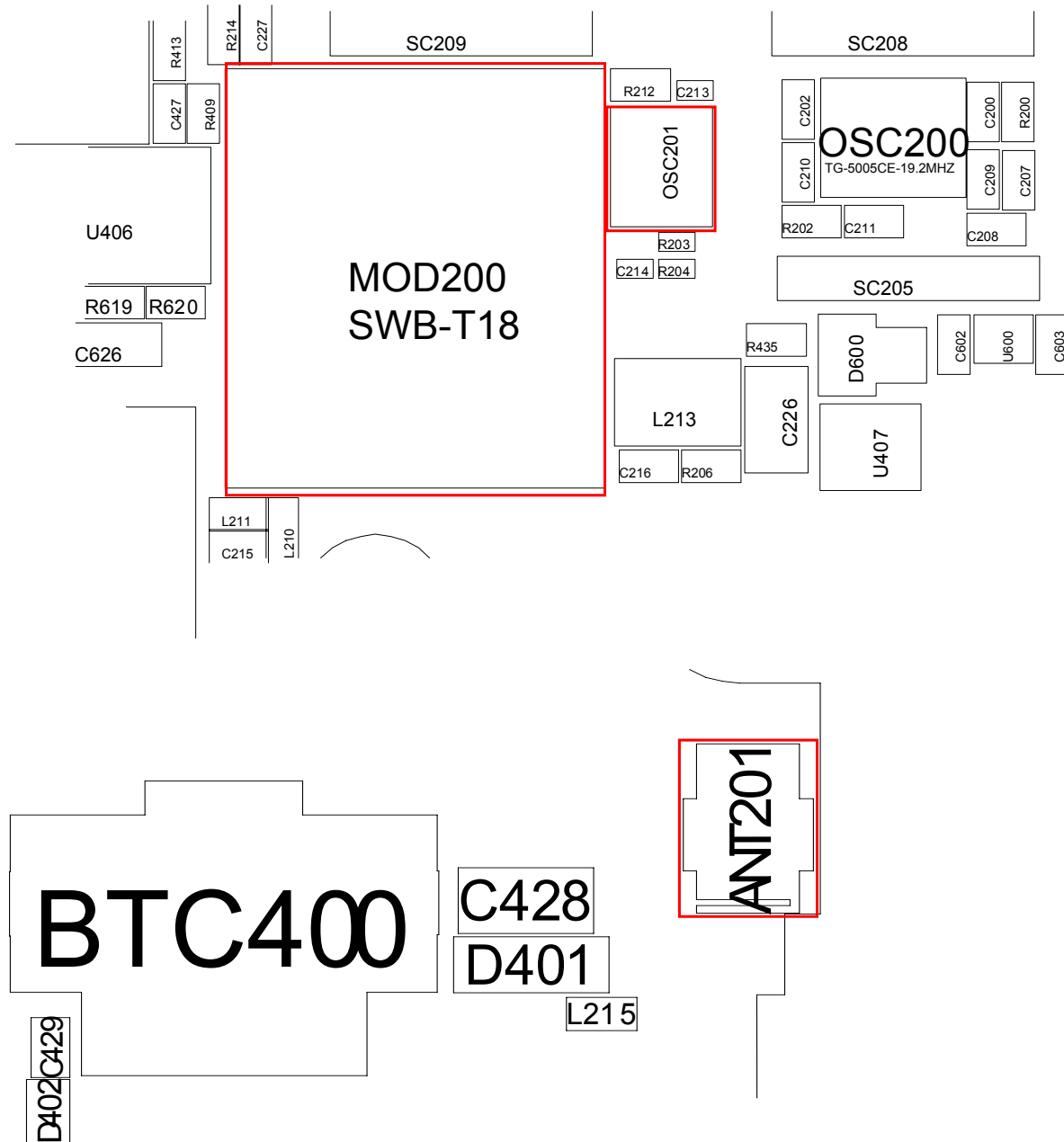
9-2. RF Section

9-2-2. Abnormal WLAN Operation

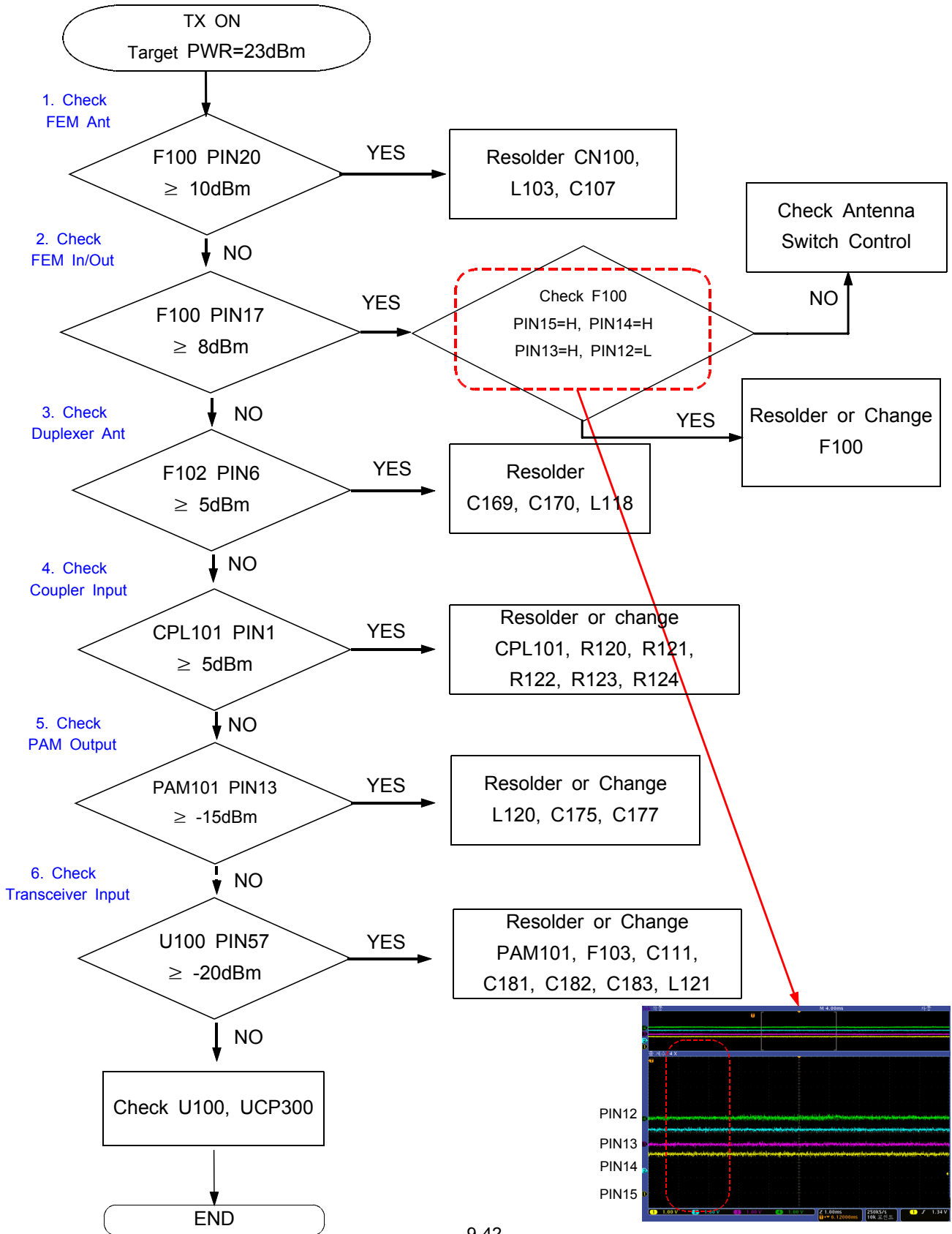


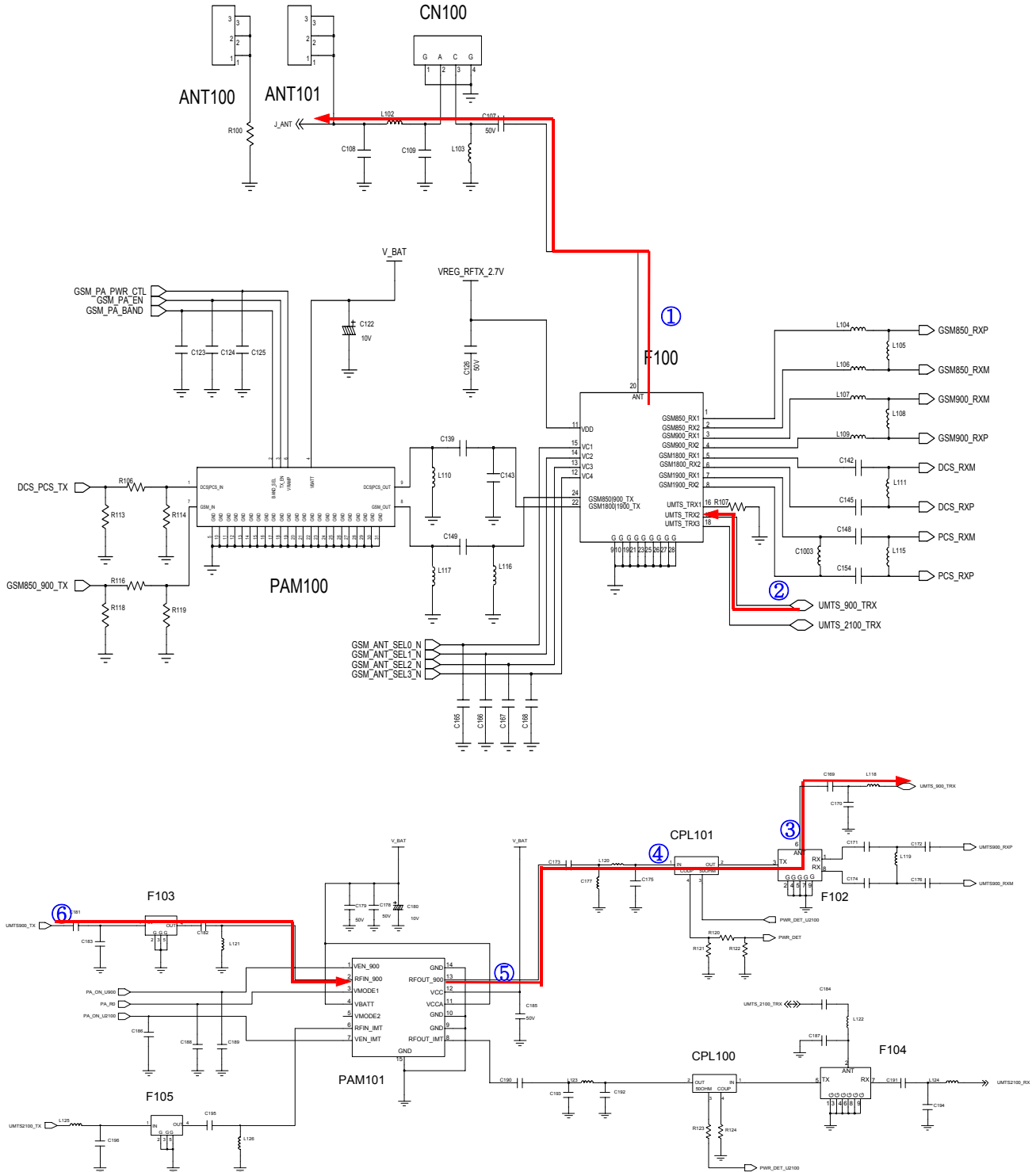
ANT201

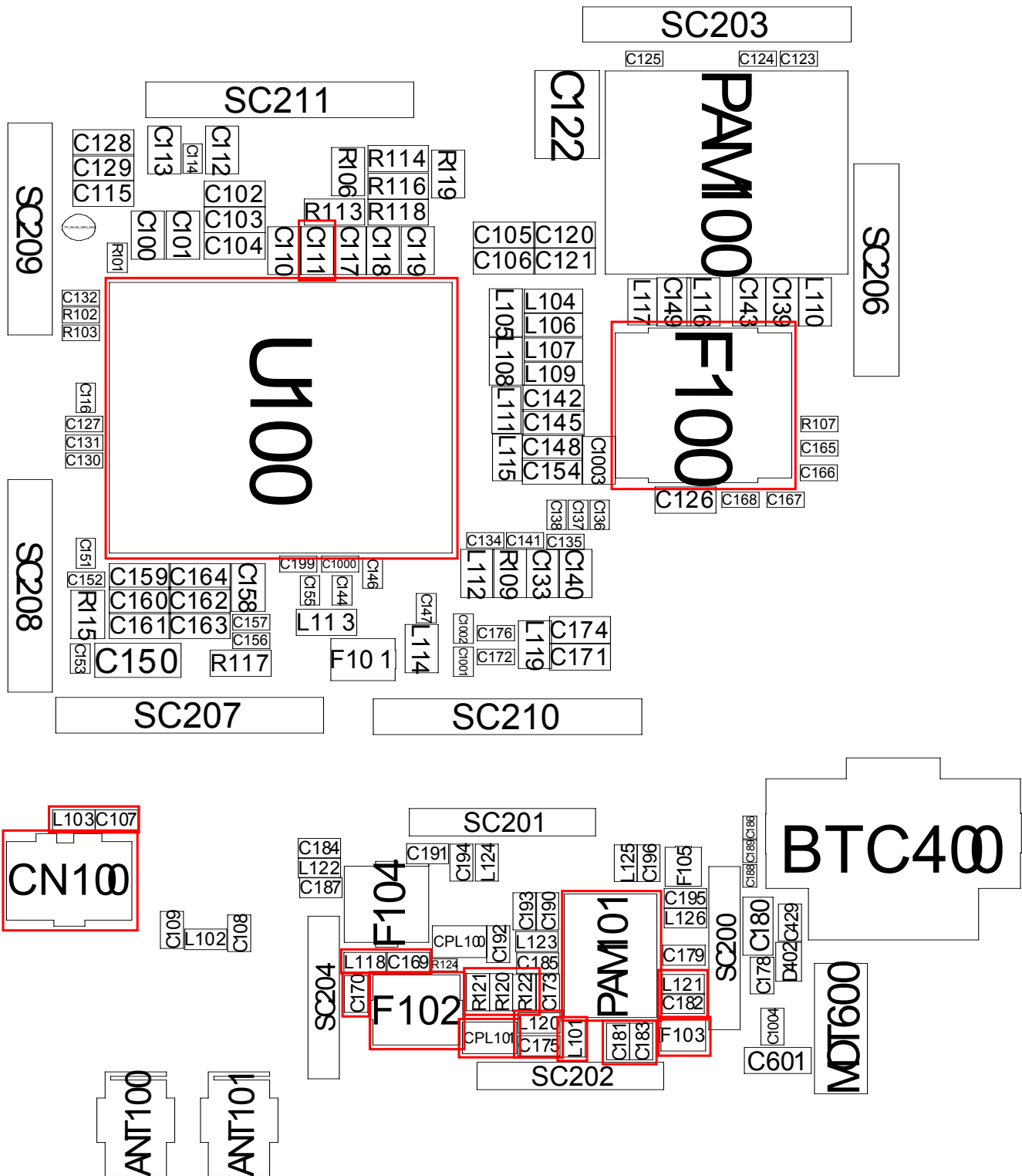




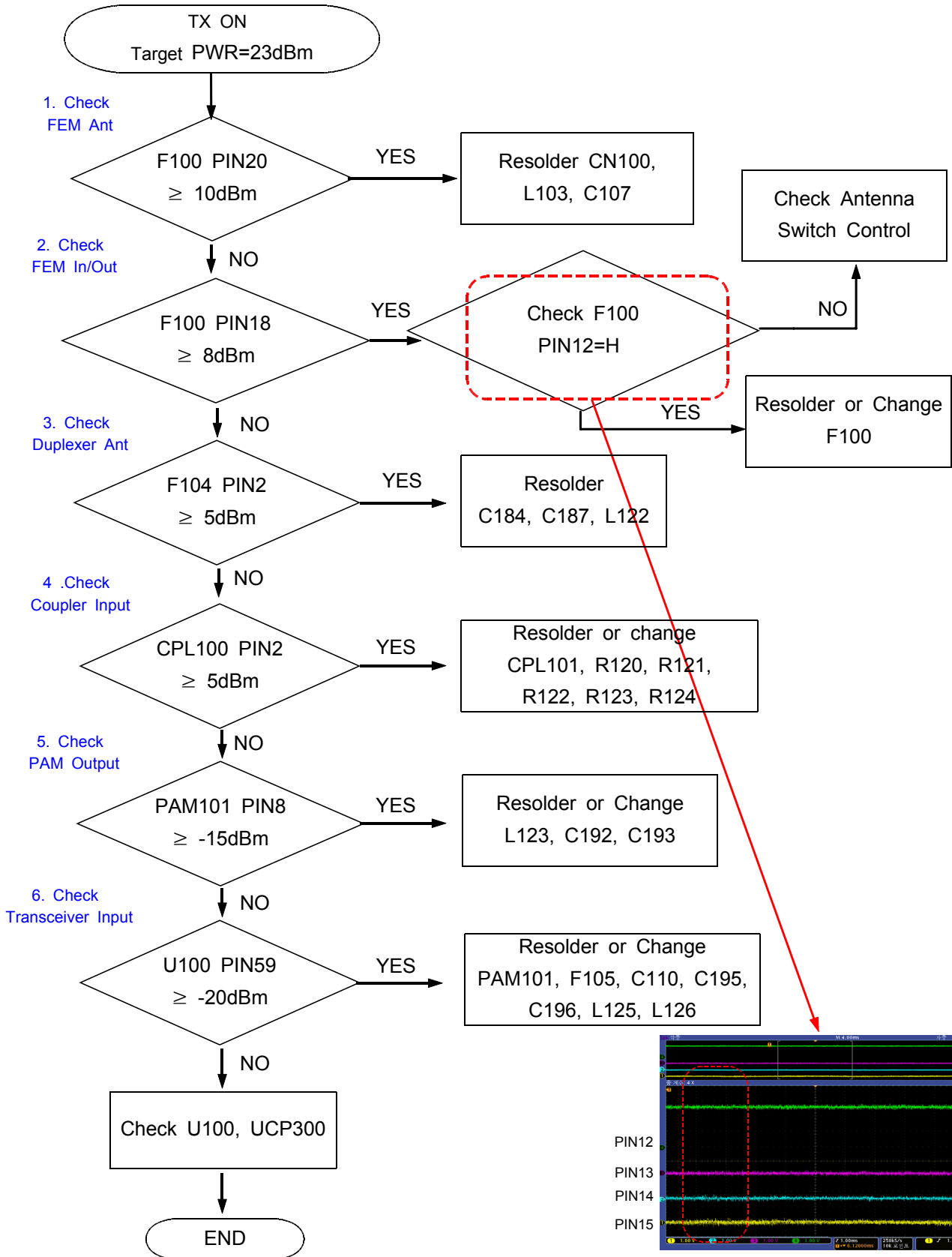
9-2-3. Abnormal WCDMA900 Tx Operation



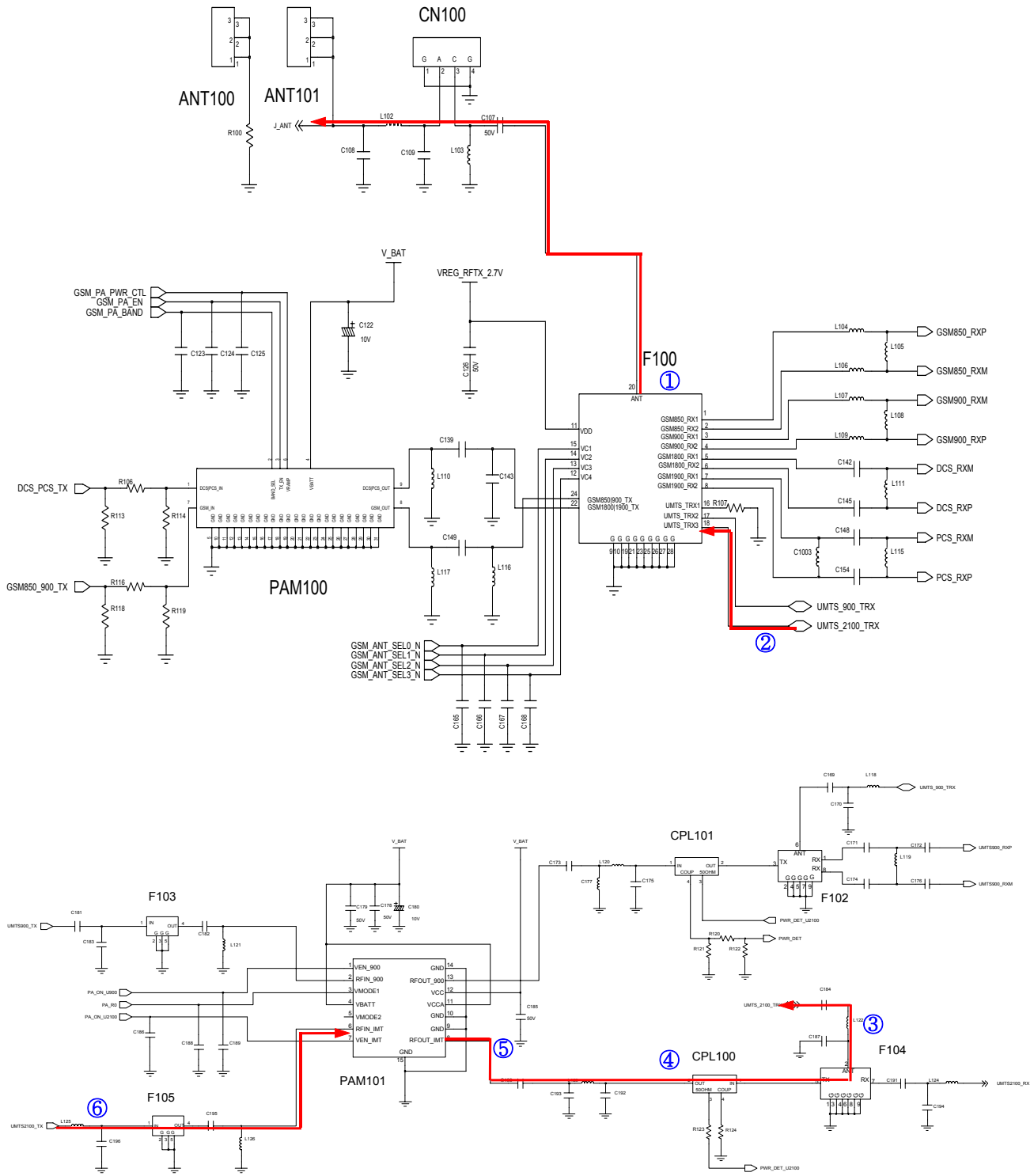


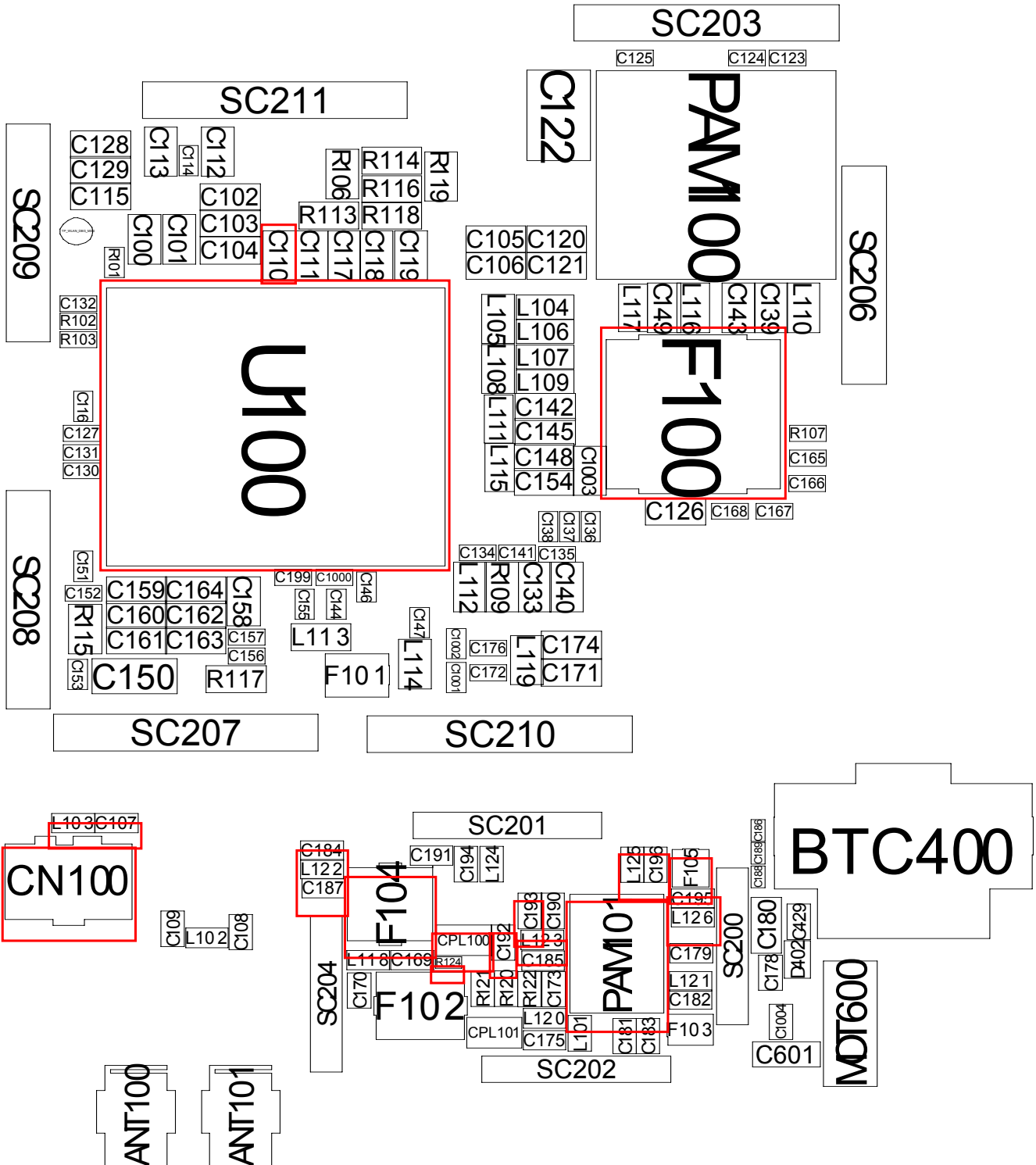


9-2-4. Abnormal WCDMA2100 Tx Operation

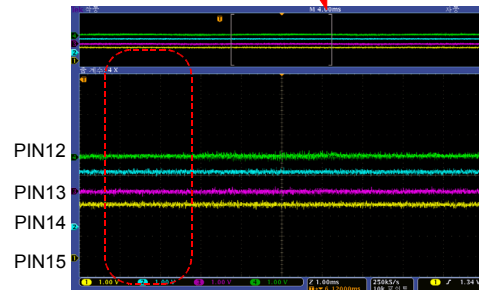
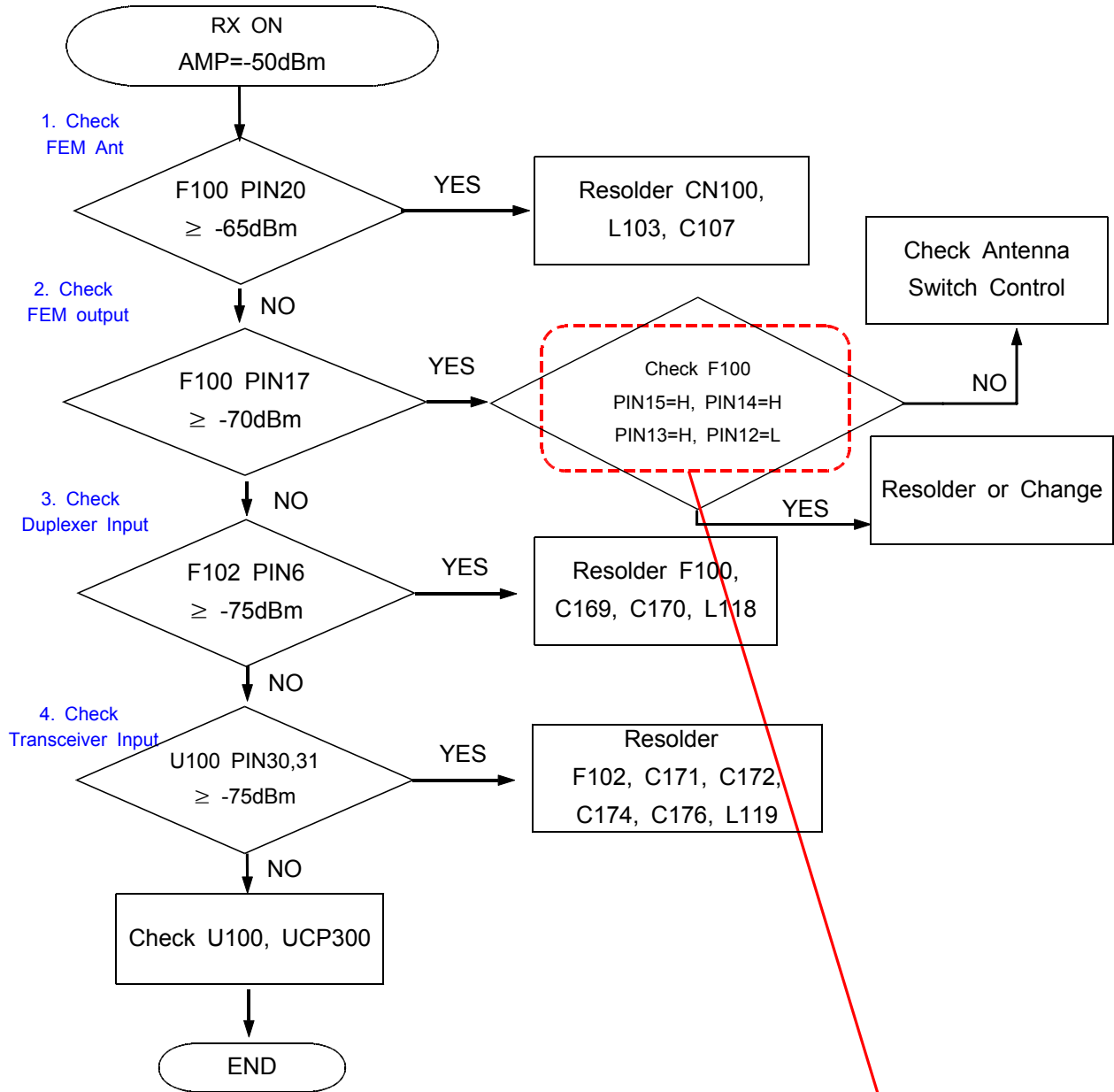


Flow Chart of Troubleshooting

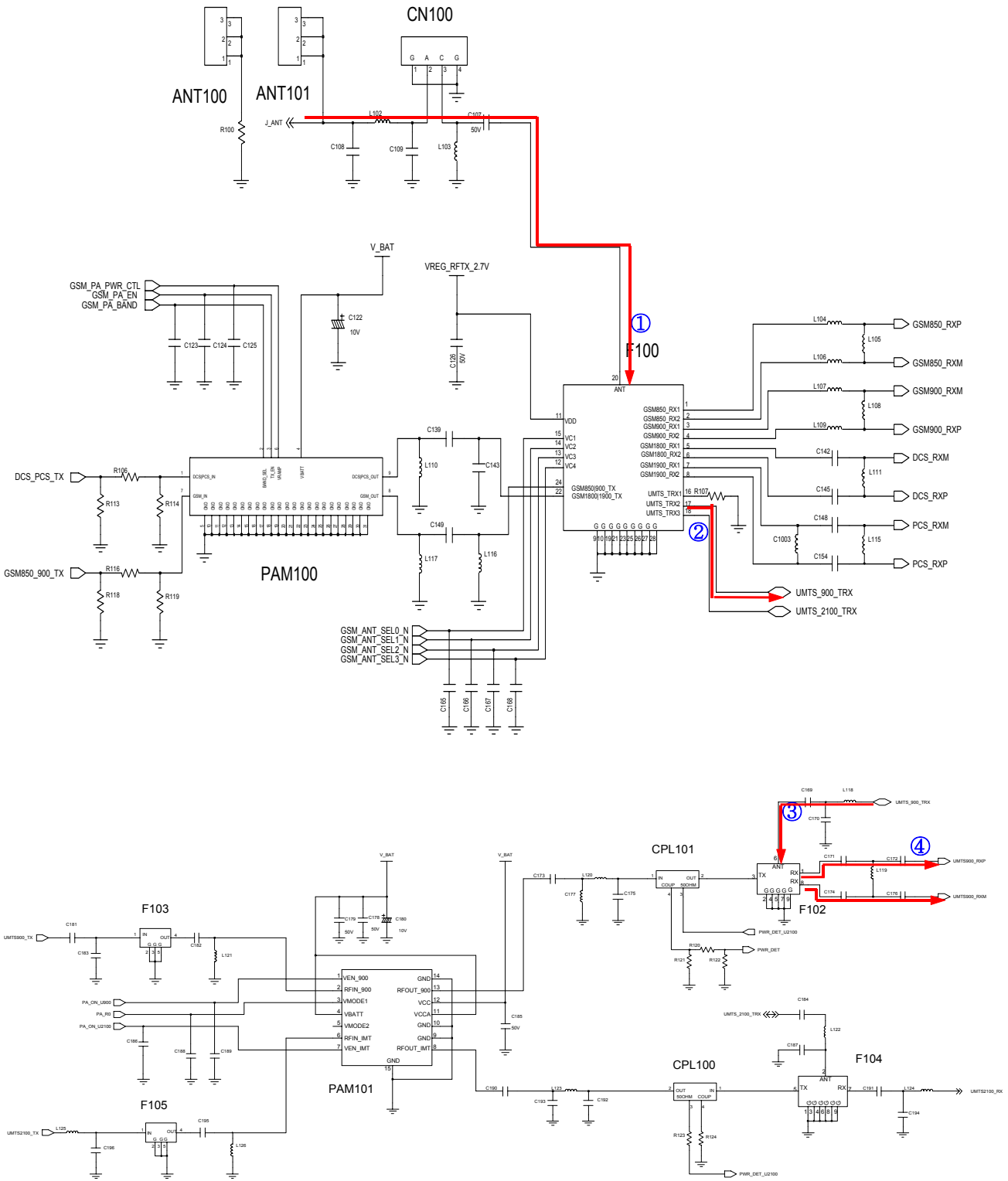


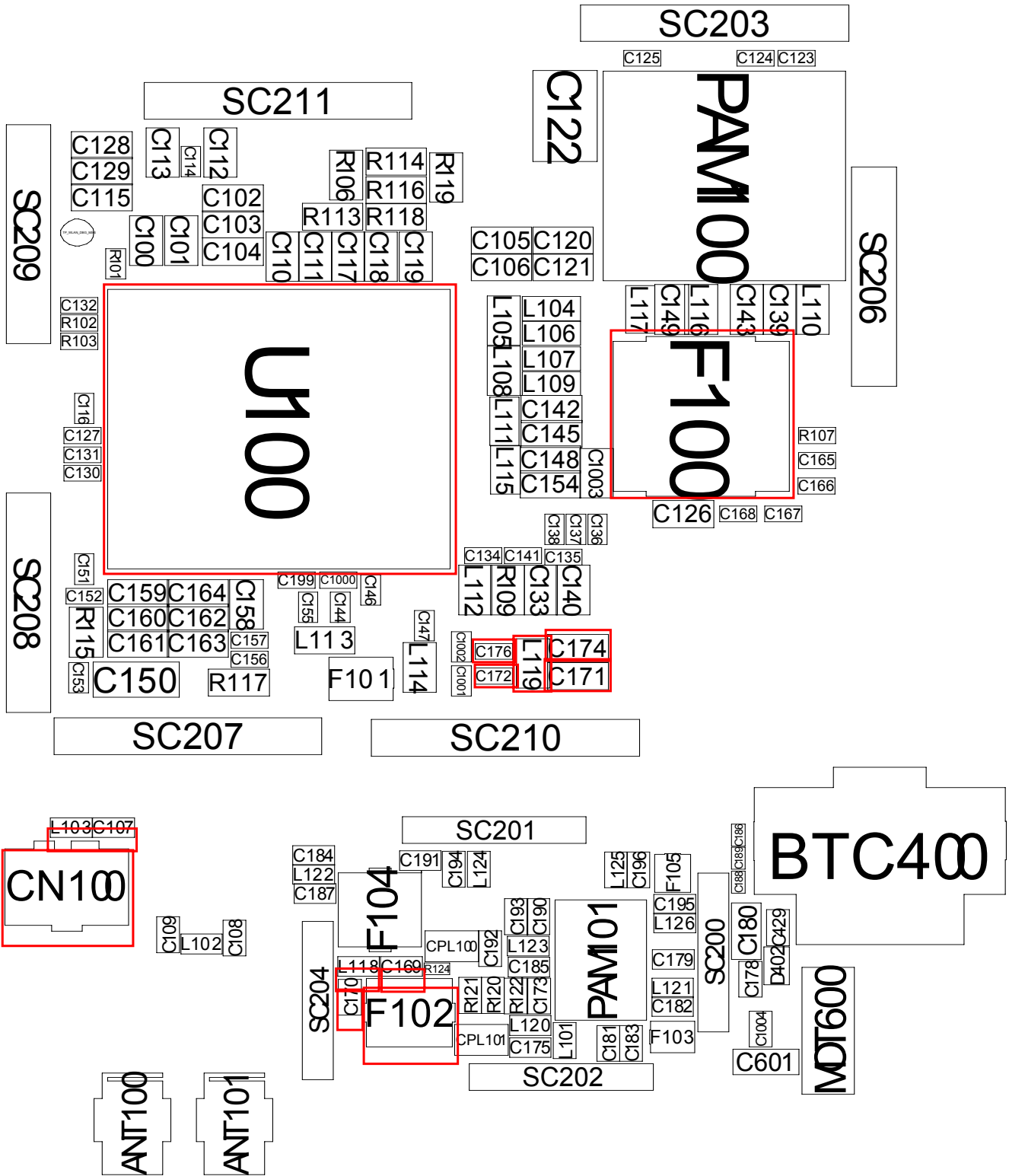


9-2-5. Abnormal WCDMA900 Rx Operation

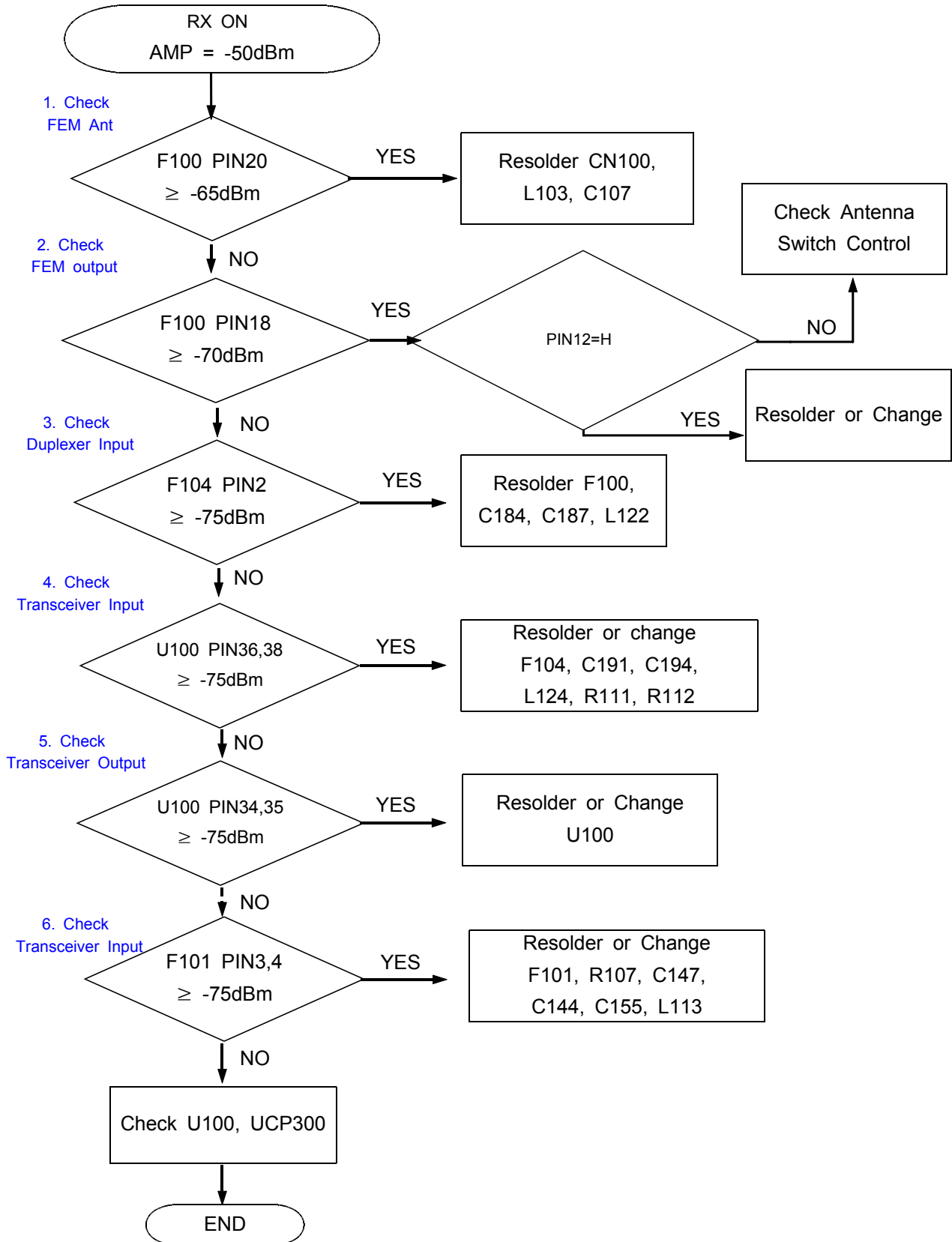


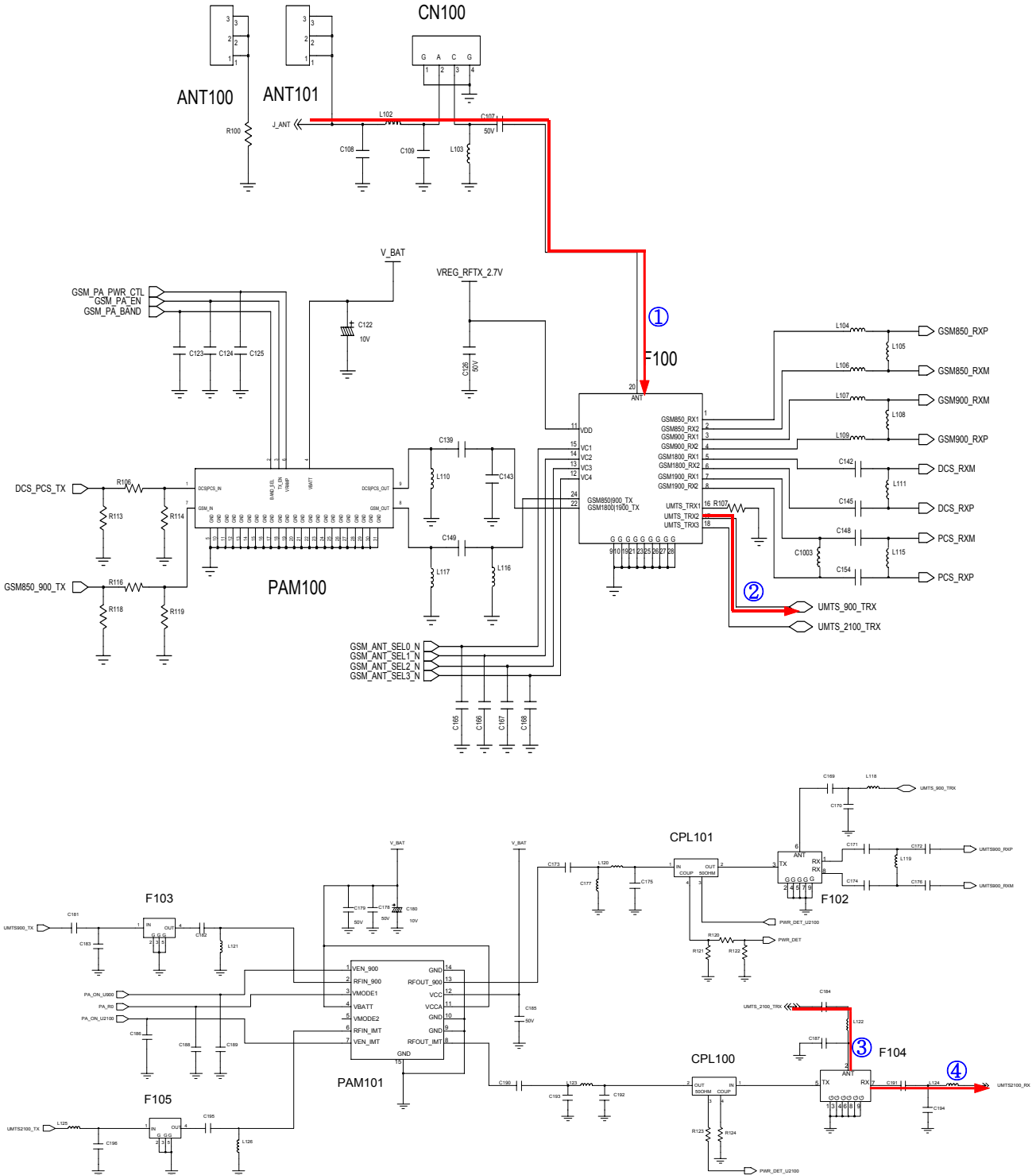
Flow Chart of Troubleshooting

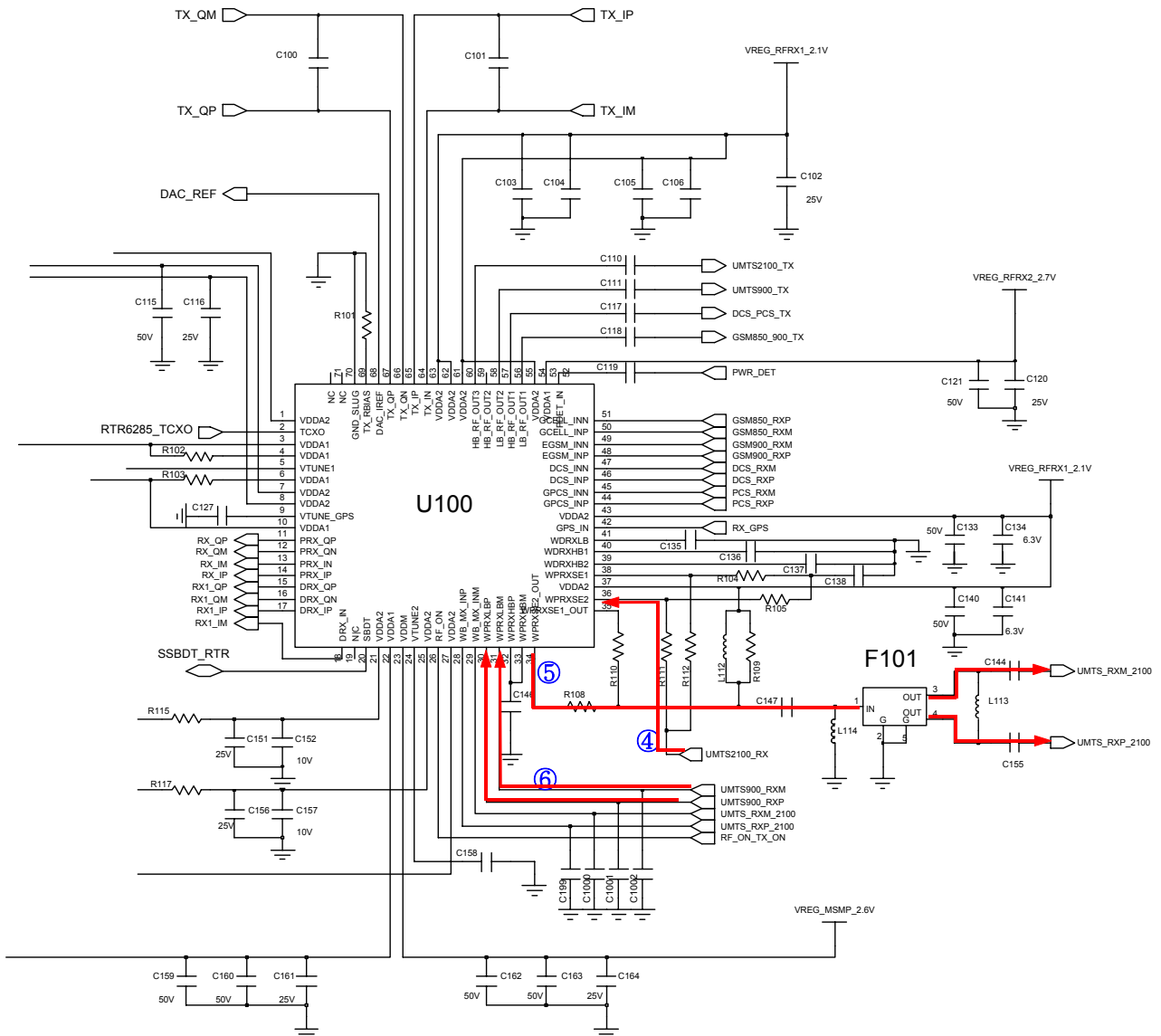




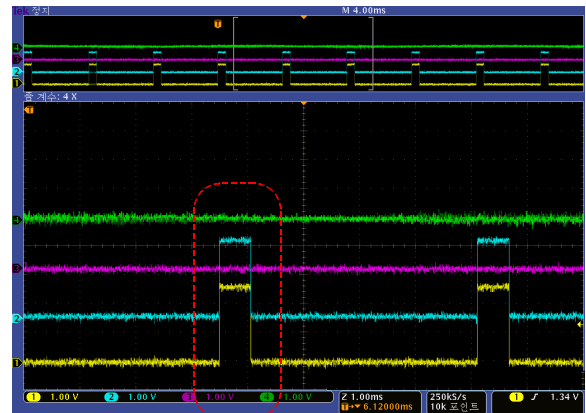
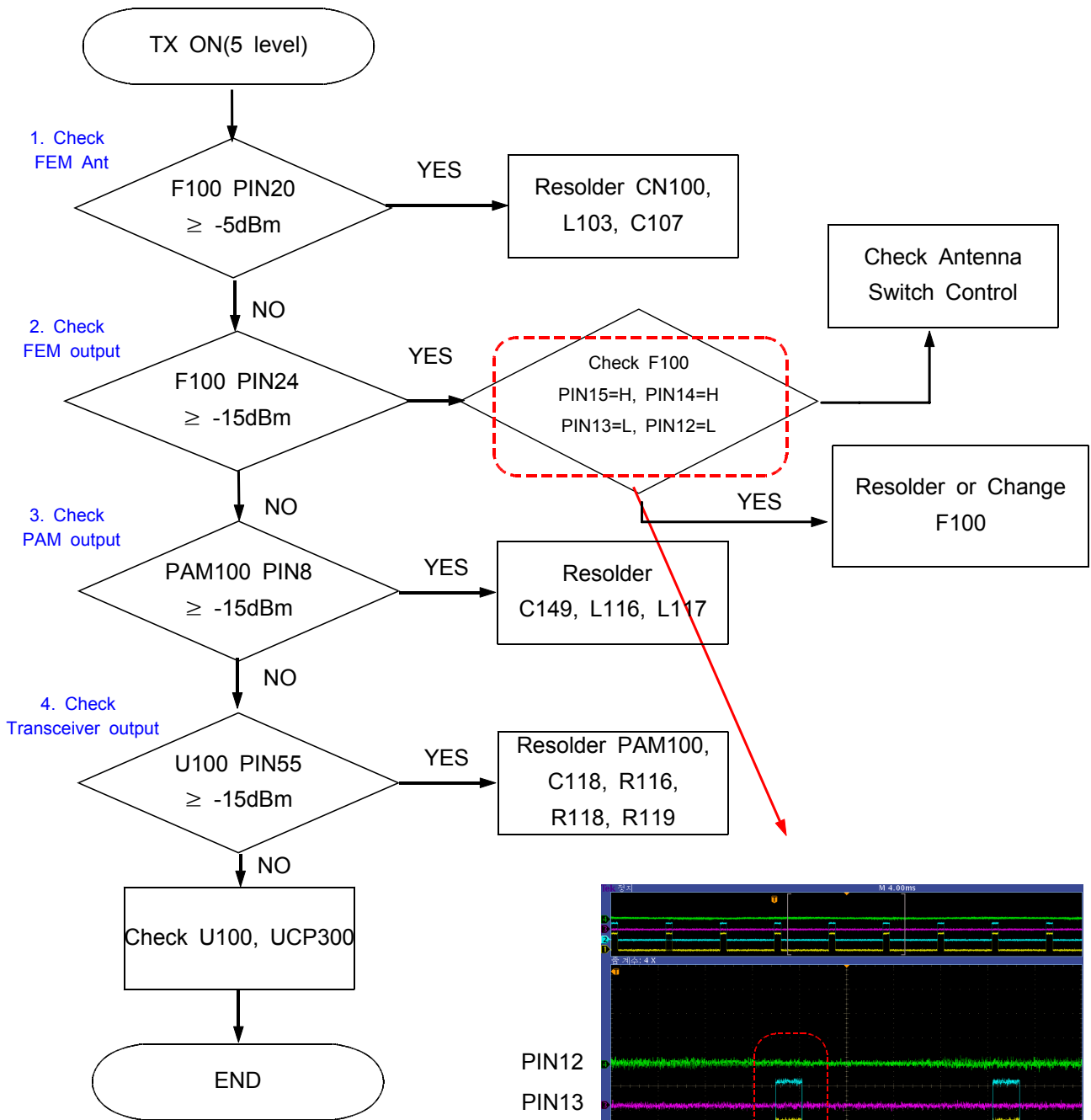
9-2-7. Abnormal WCDMA2100 Rx Operation

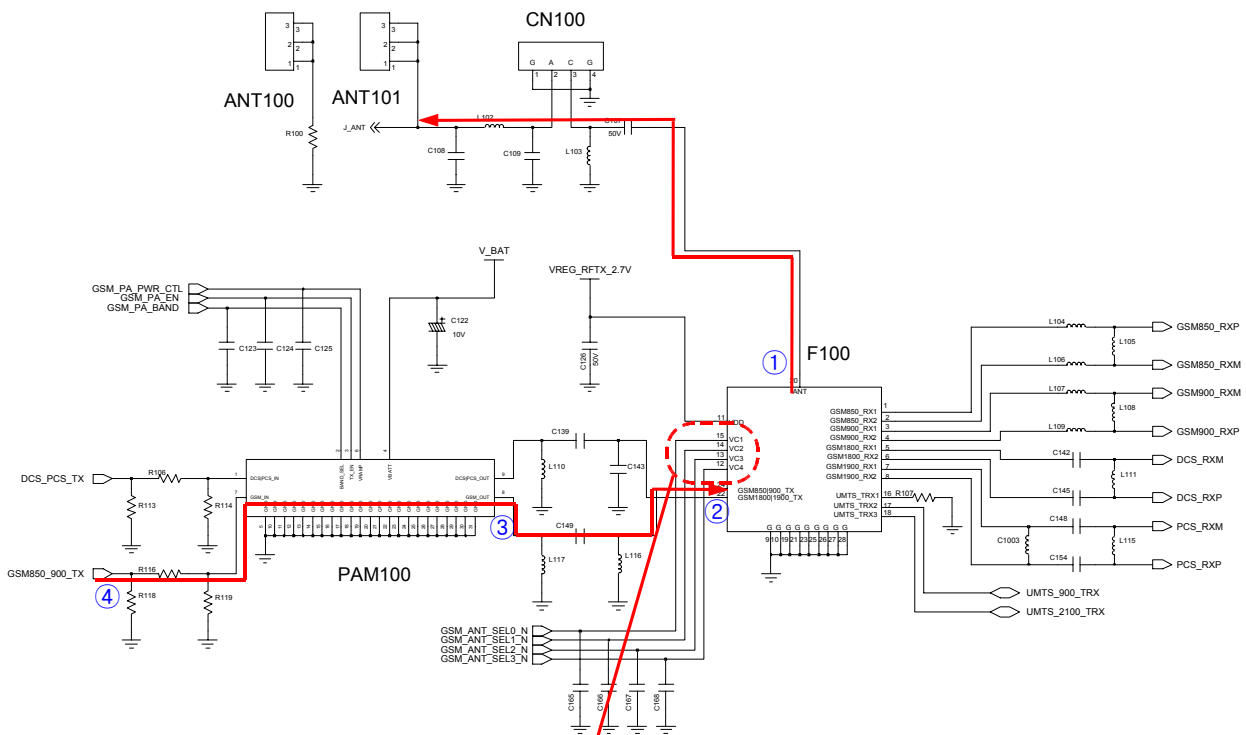






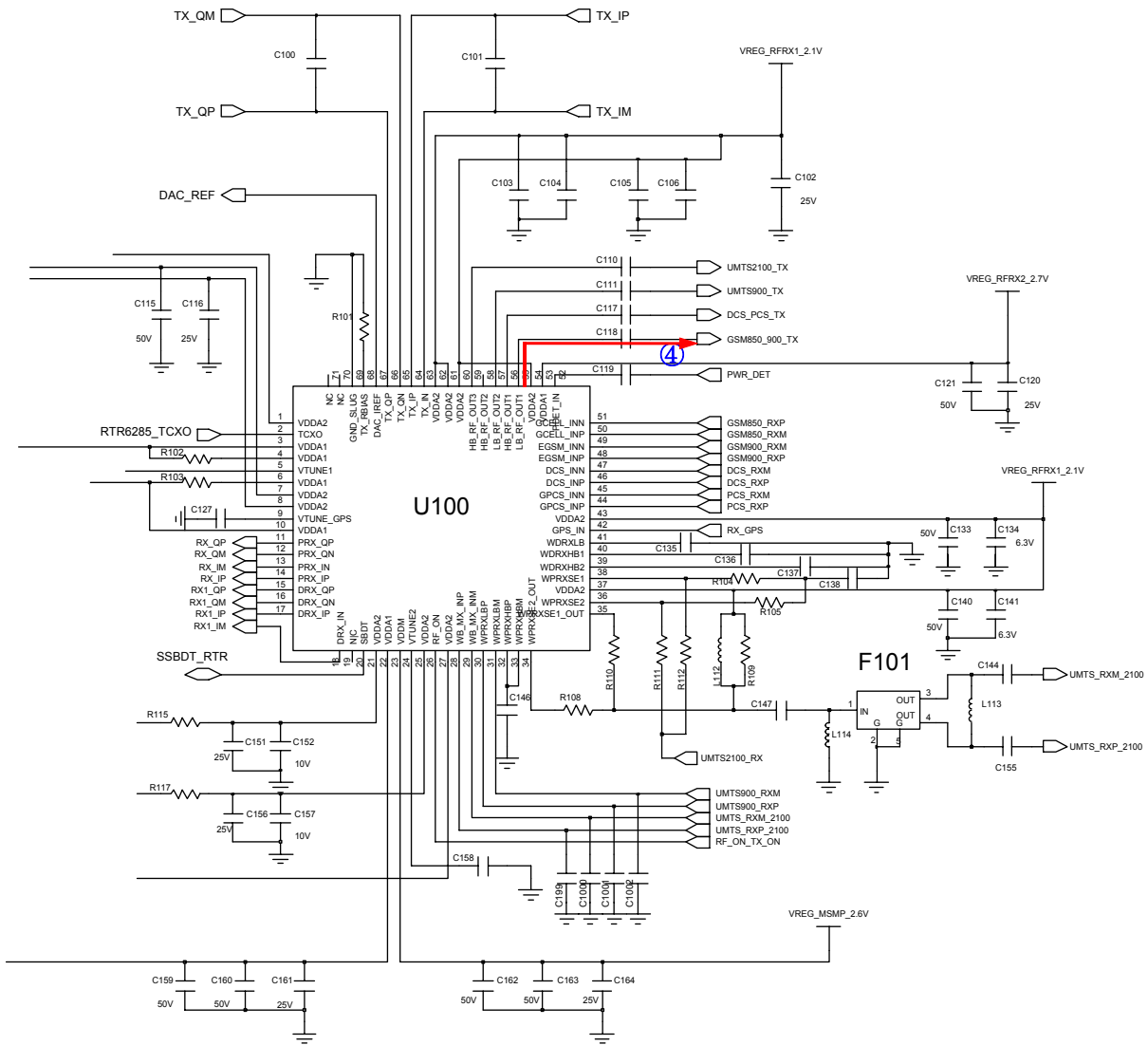
9-2-8. Abnormal GSM850/EGSM Tx Operation

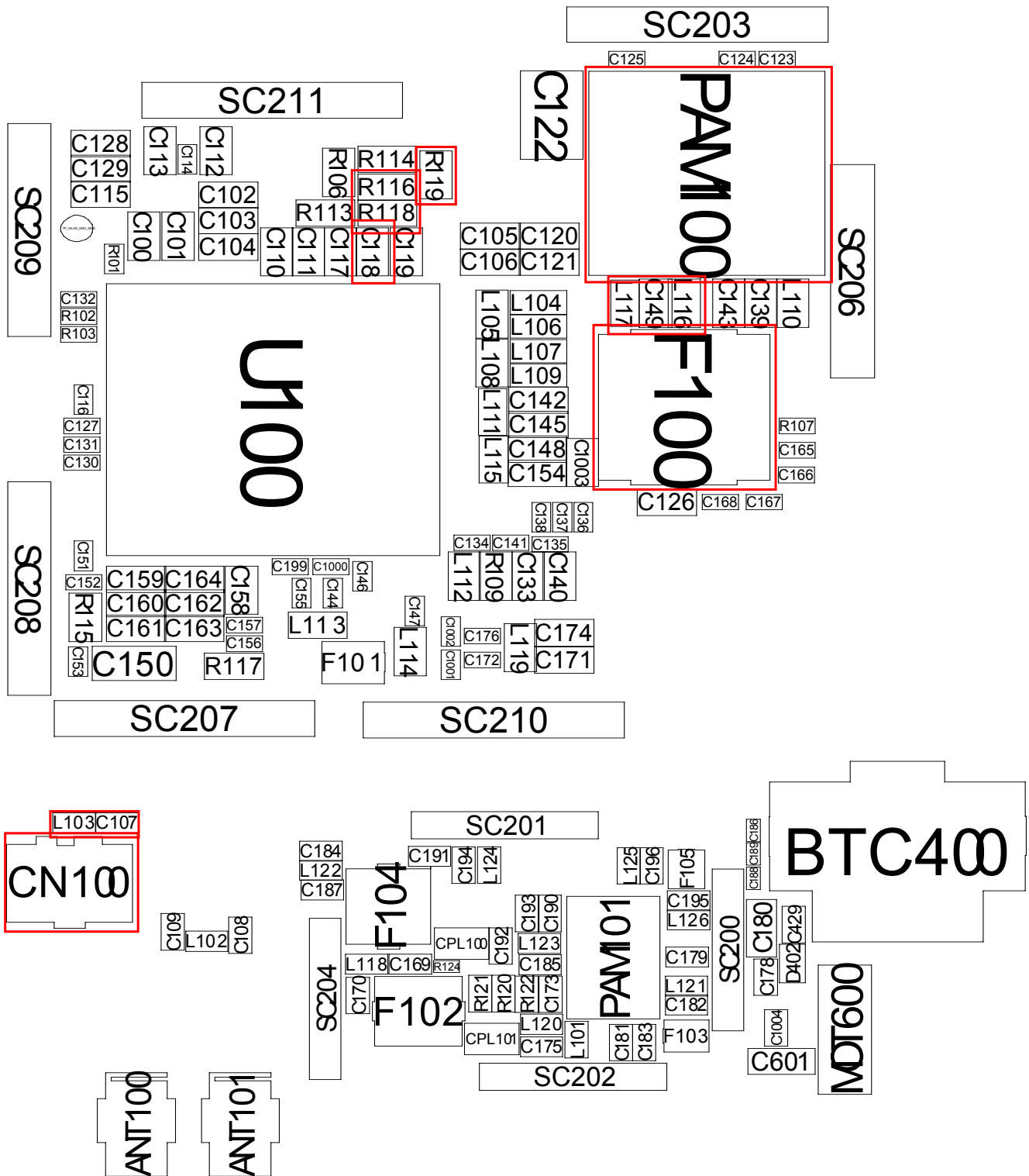




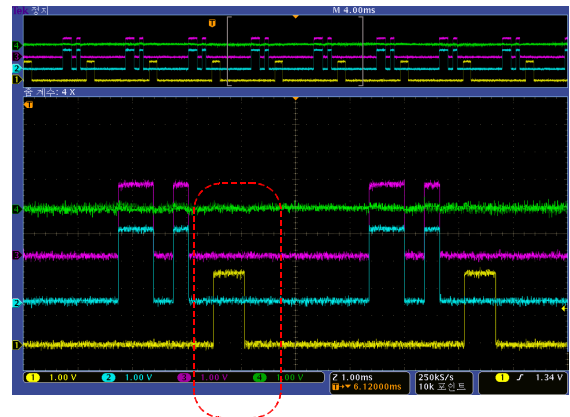
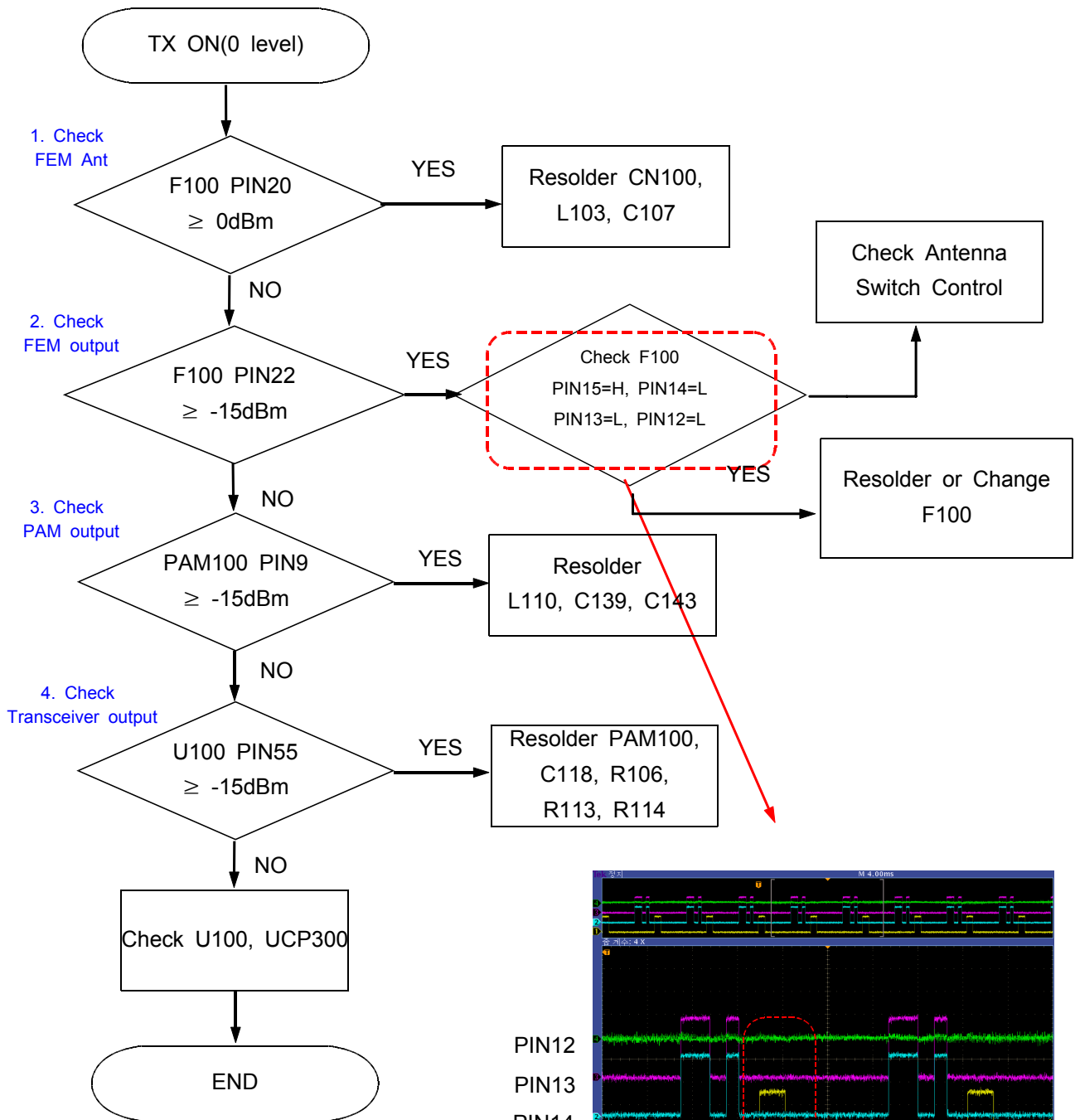
PIN15 : HIGH
 PIN14 : HIGH
 PIN13 : LOW
 PIN12 : LOW

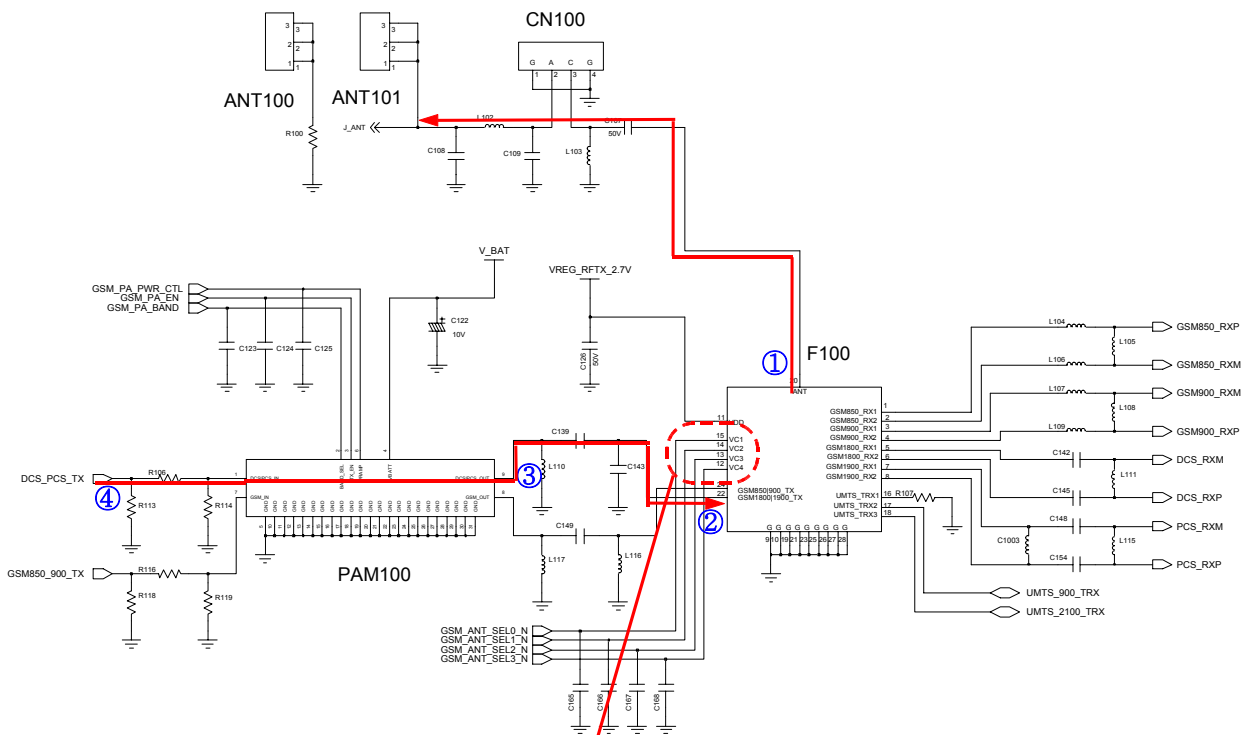
Flow Chart of Troubleshooting





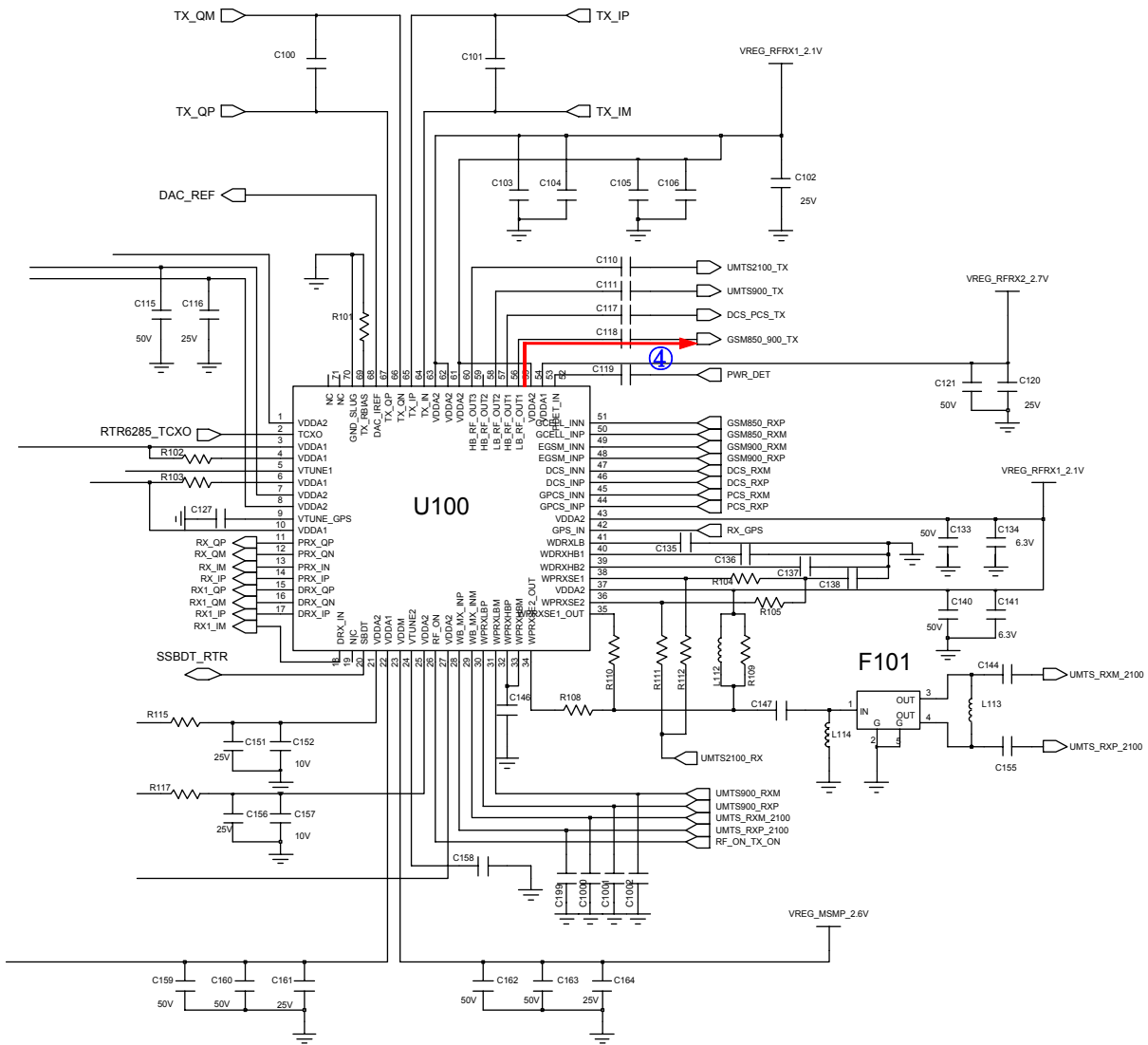
9-2-9. Abnormal DCS/PCS Tx Operation

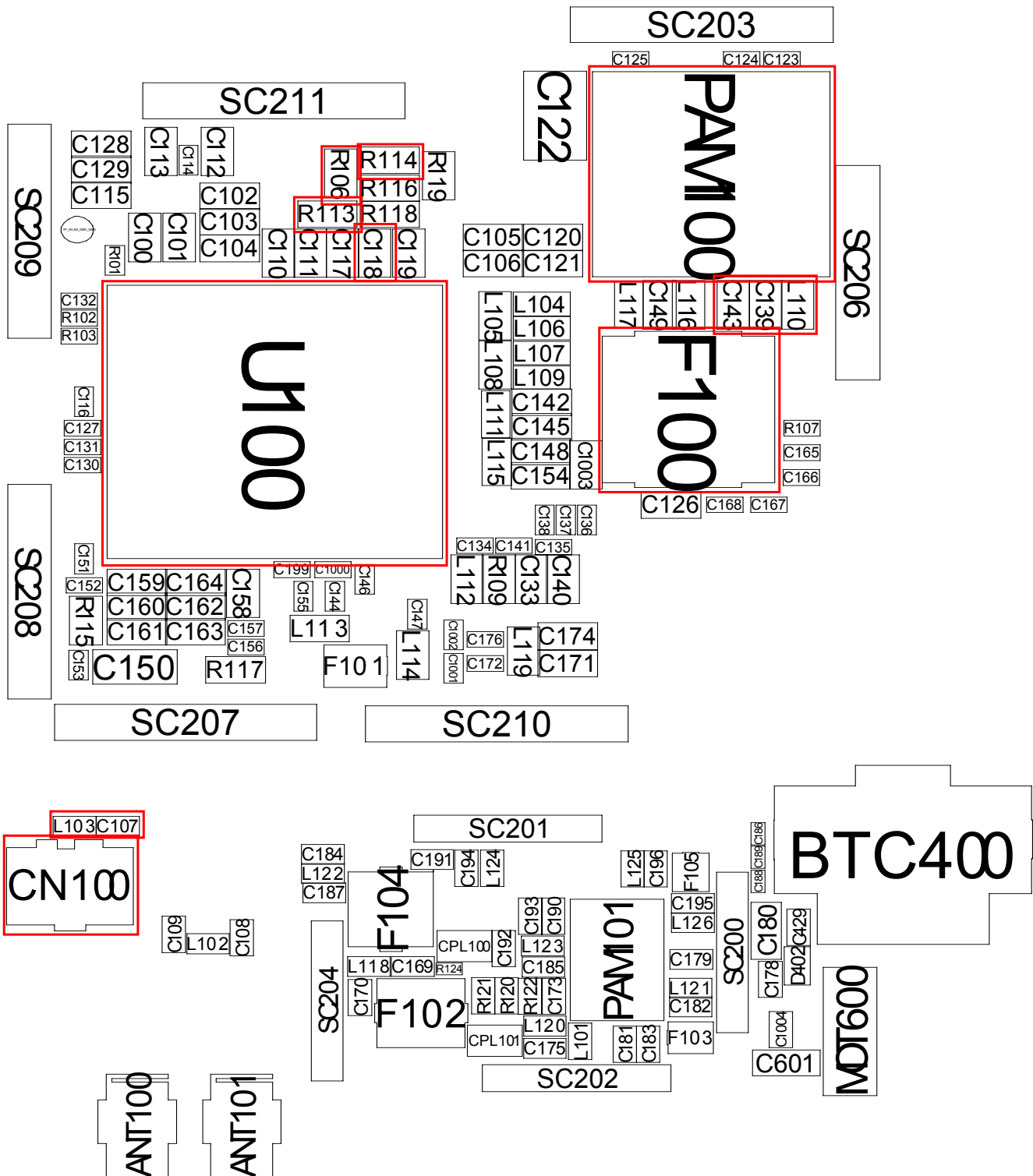




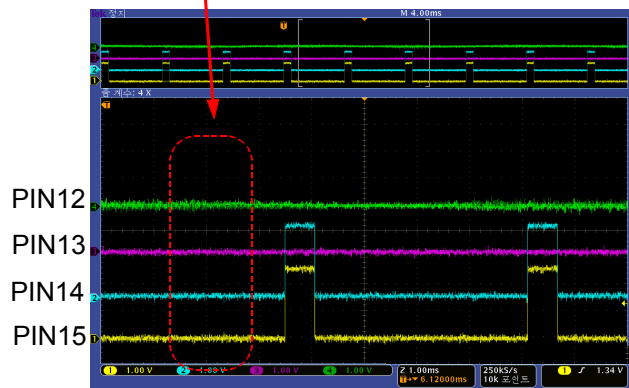
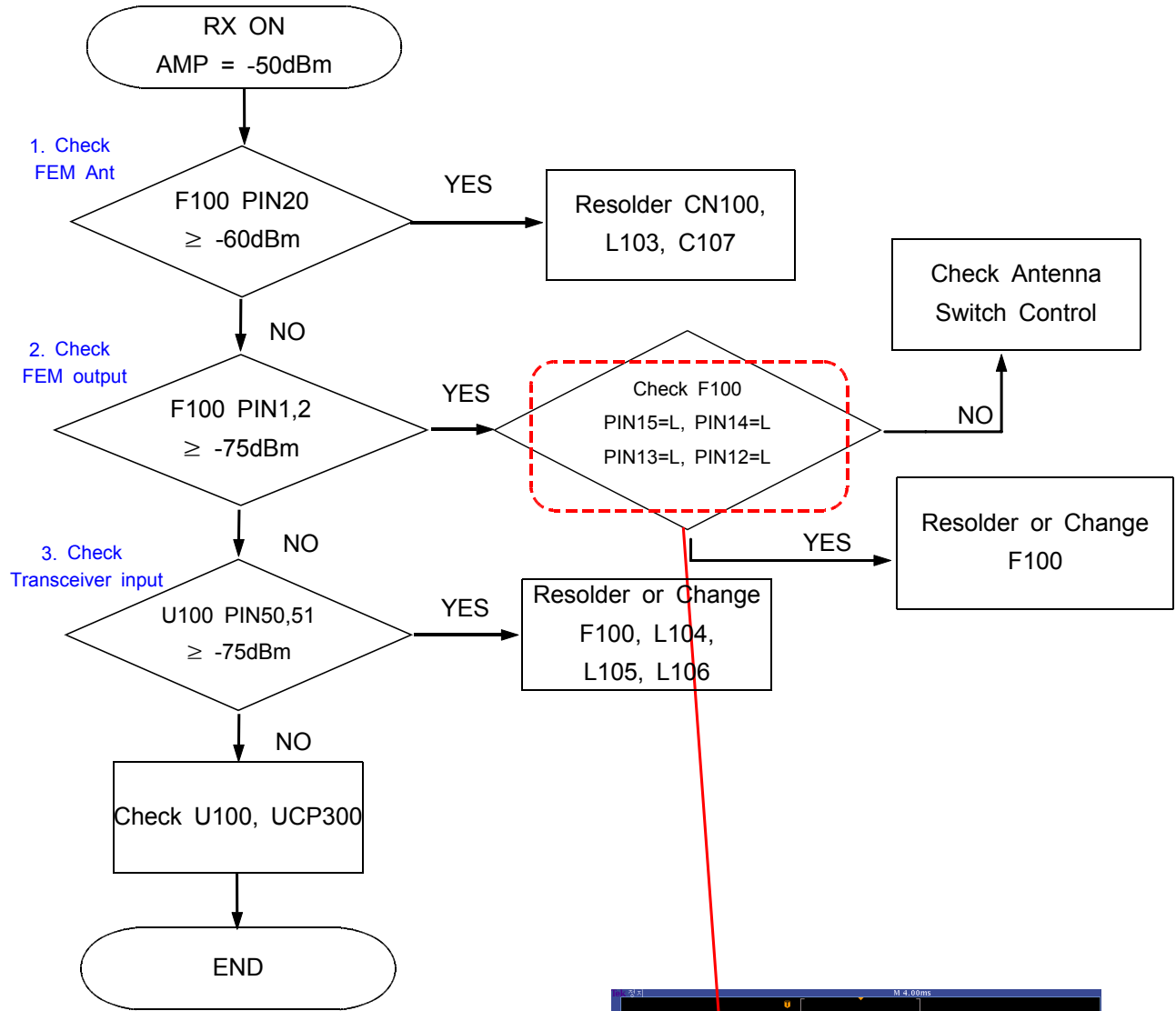
- PIN15 : HIGH**
- PIN14 : LOW**
- PIN13 : LOW**
- PIN12 : LOW**

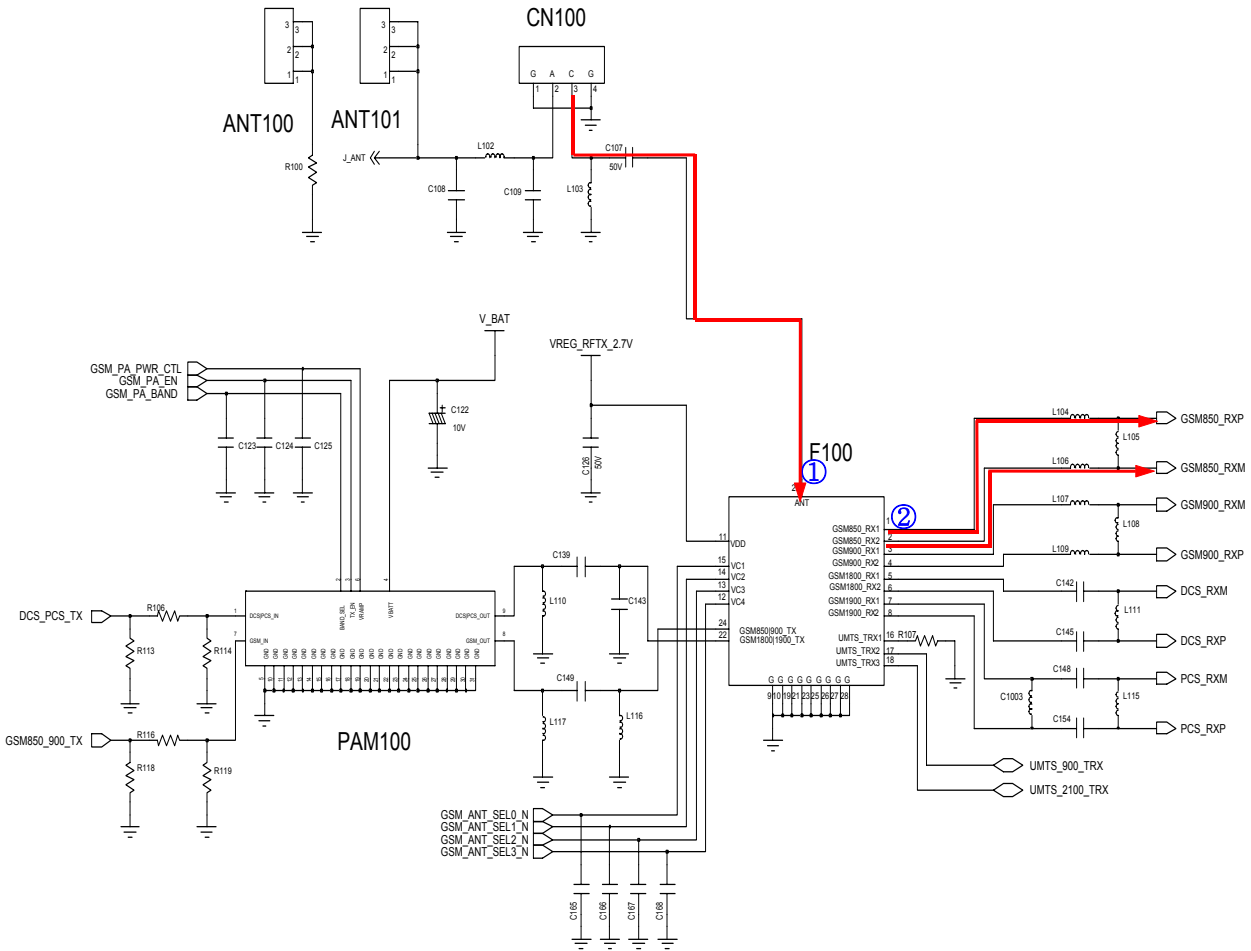
Flow Chart of Troubleshooting

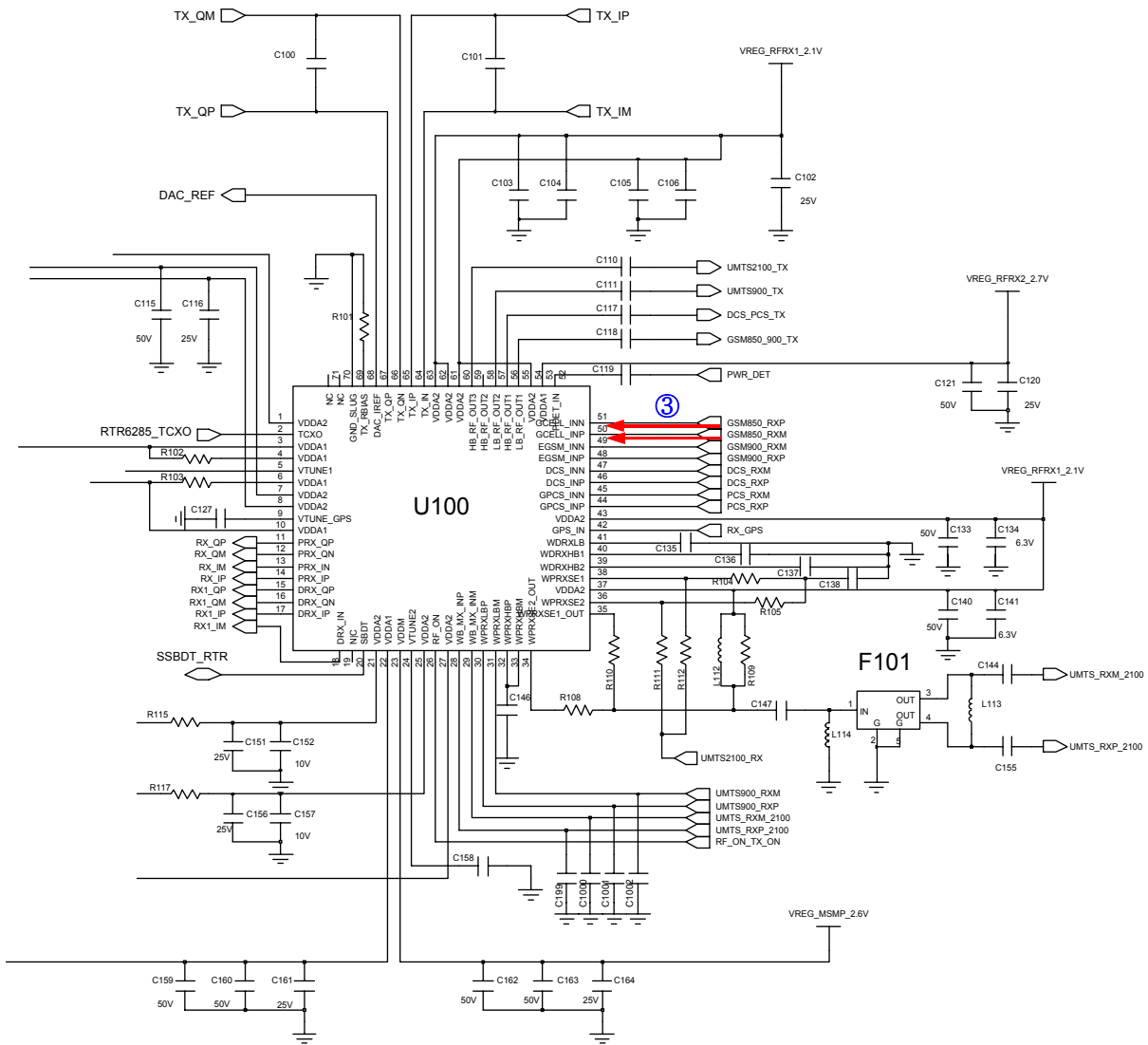


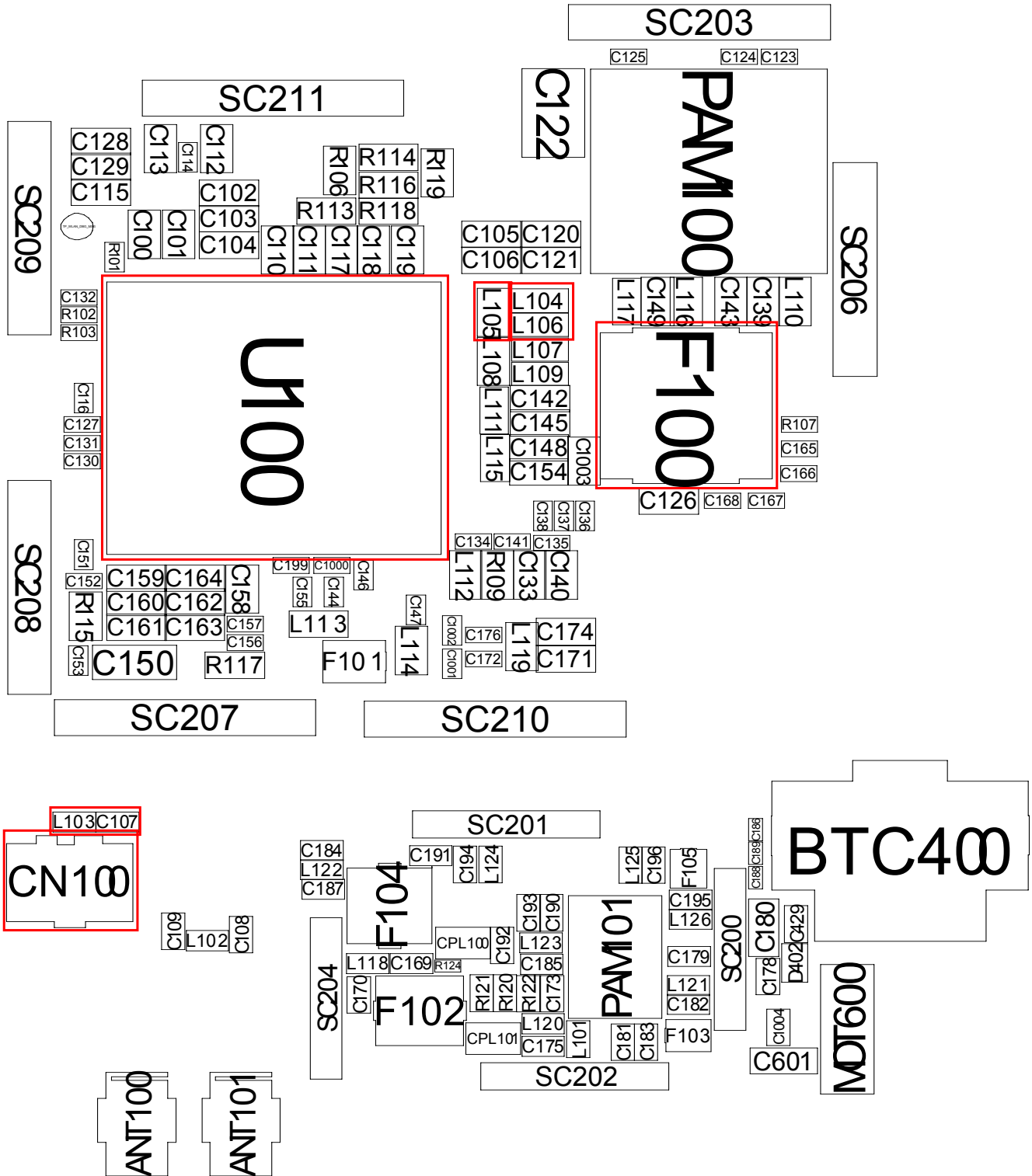


9-2-10. Abnormal GSM850 Rx Operation

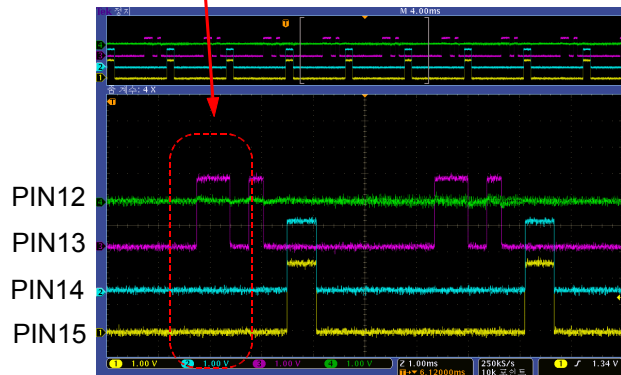
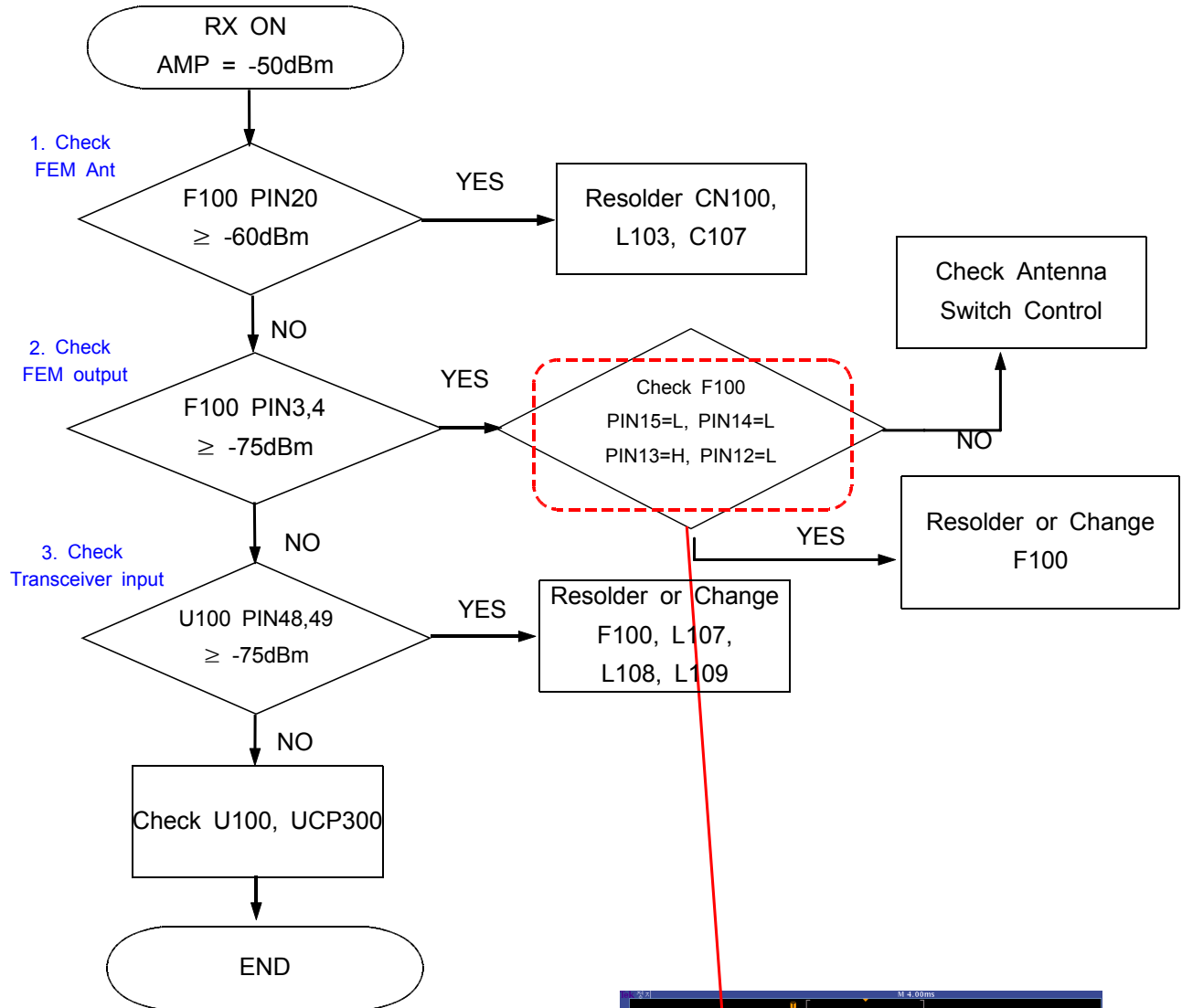


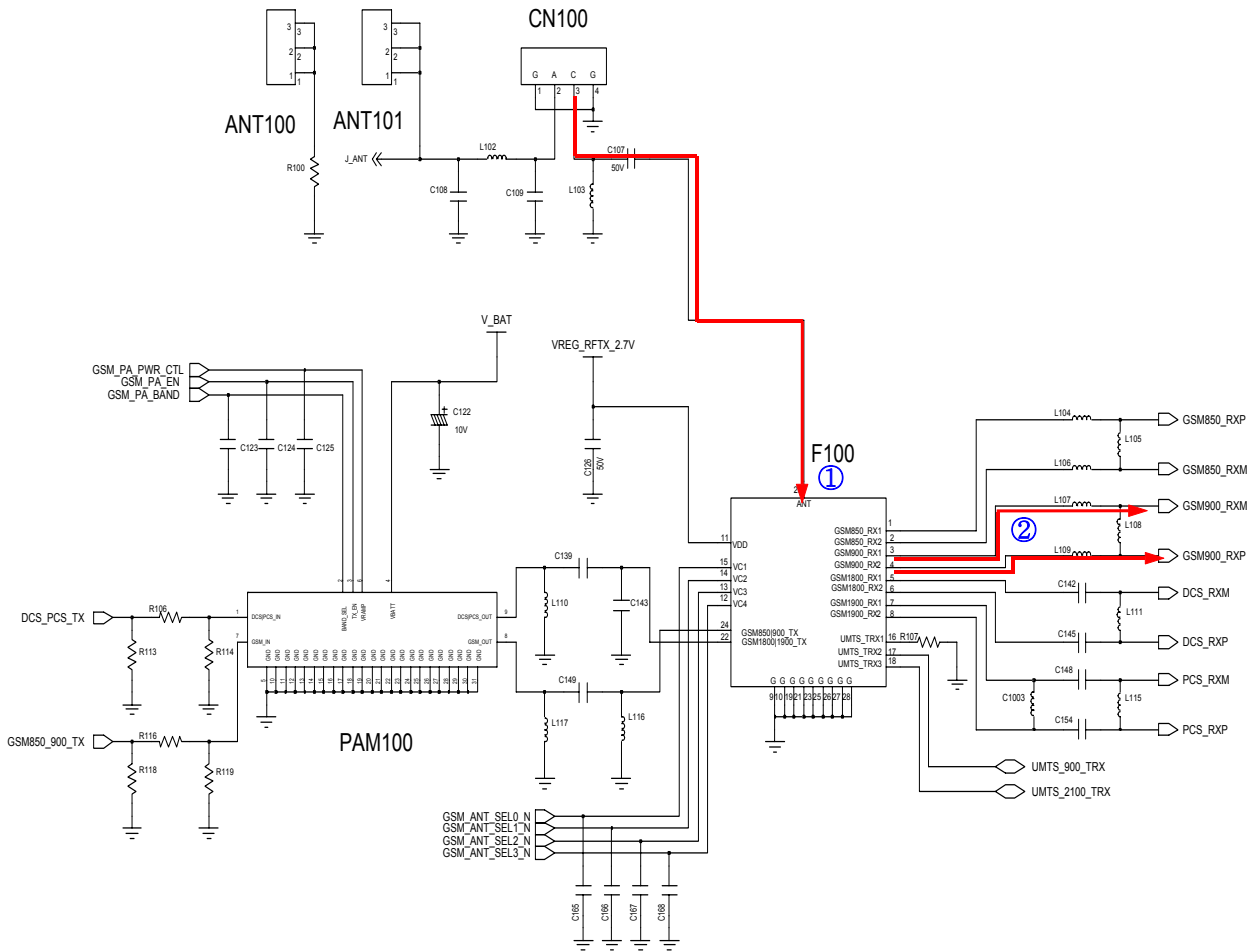


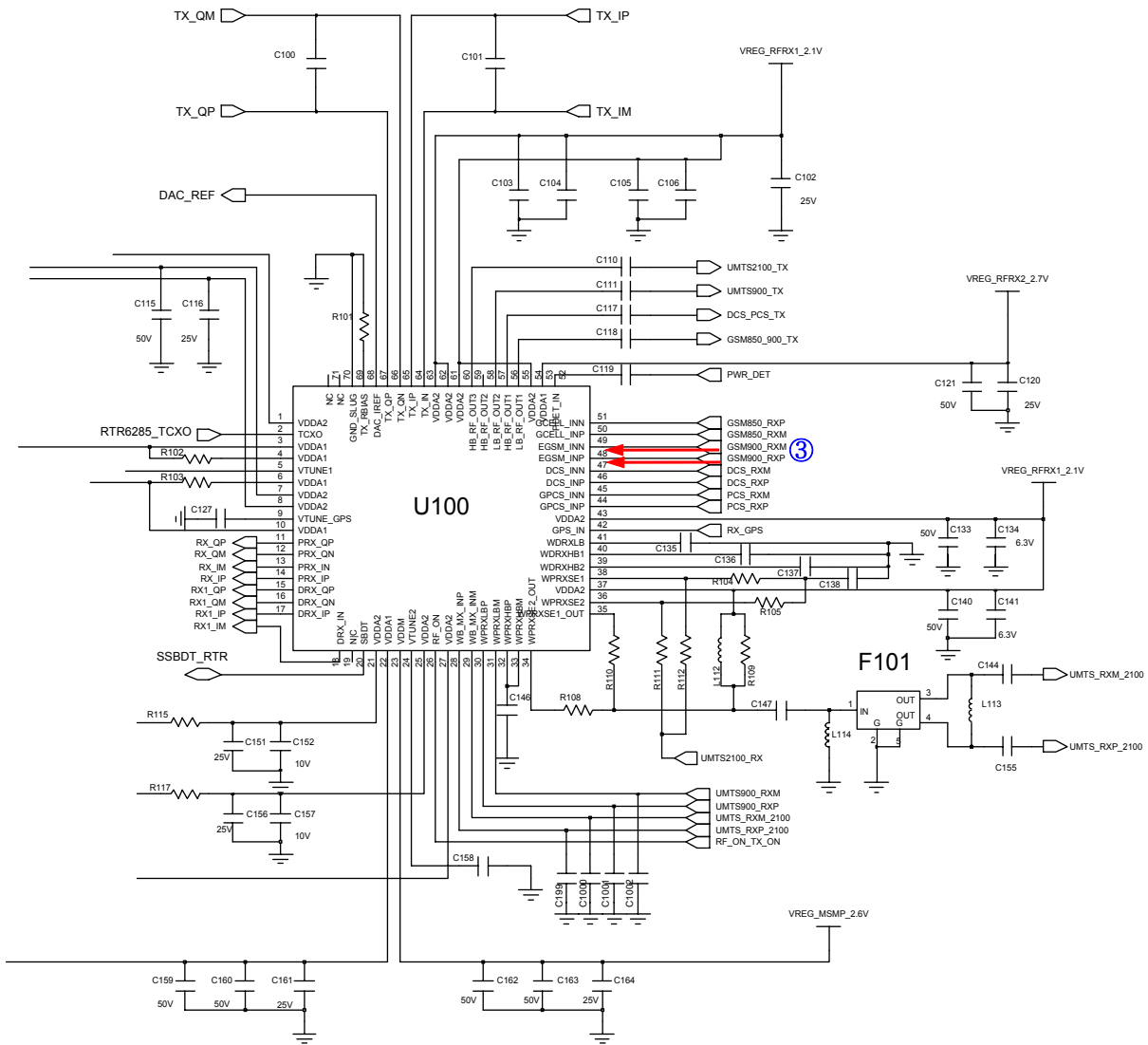


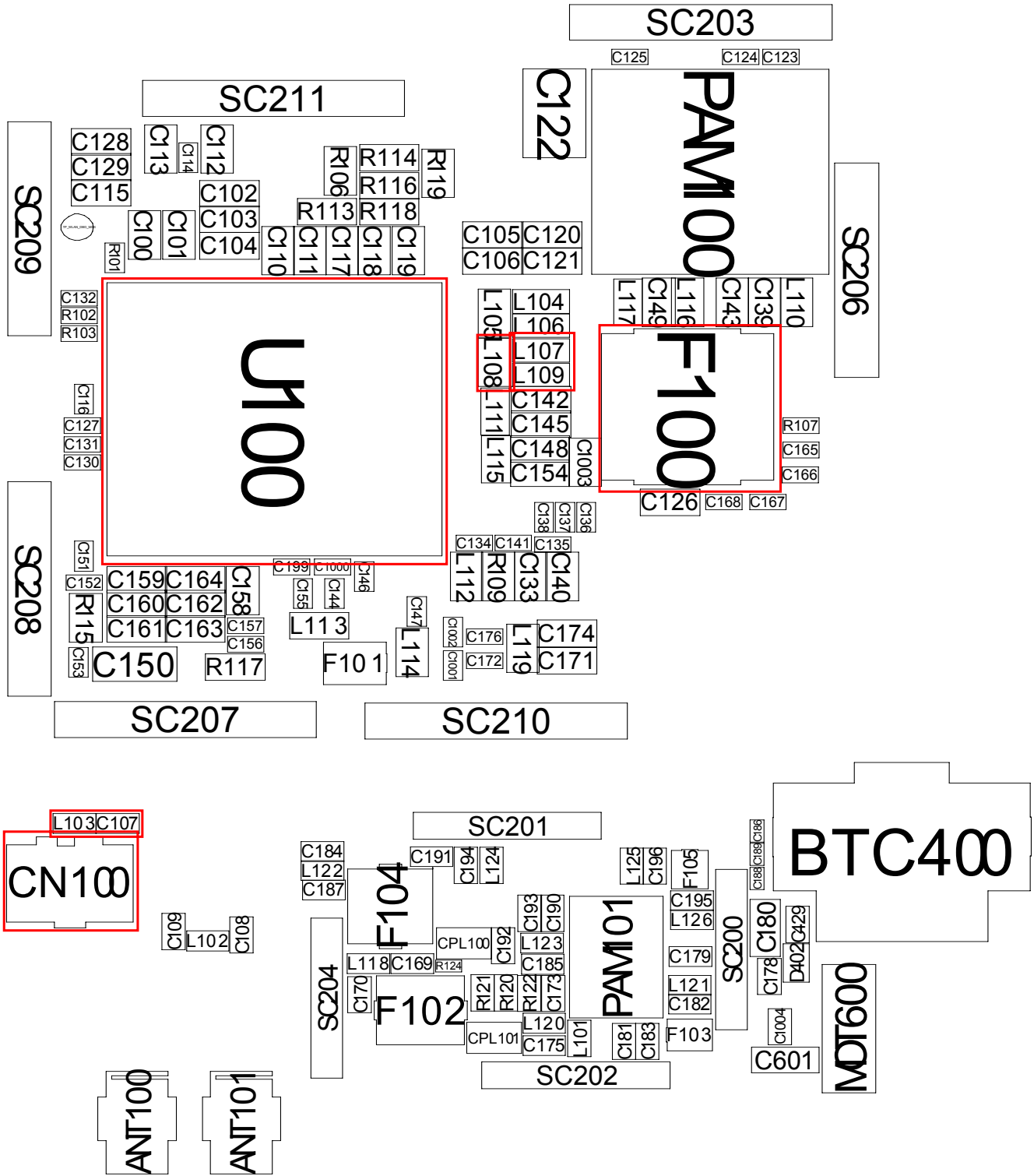


9-2-11. Abnormal EGSM Rx Operation

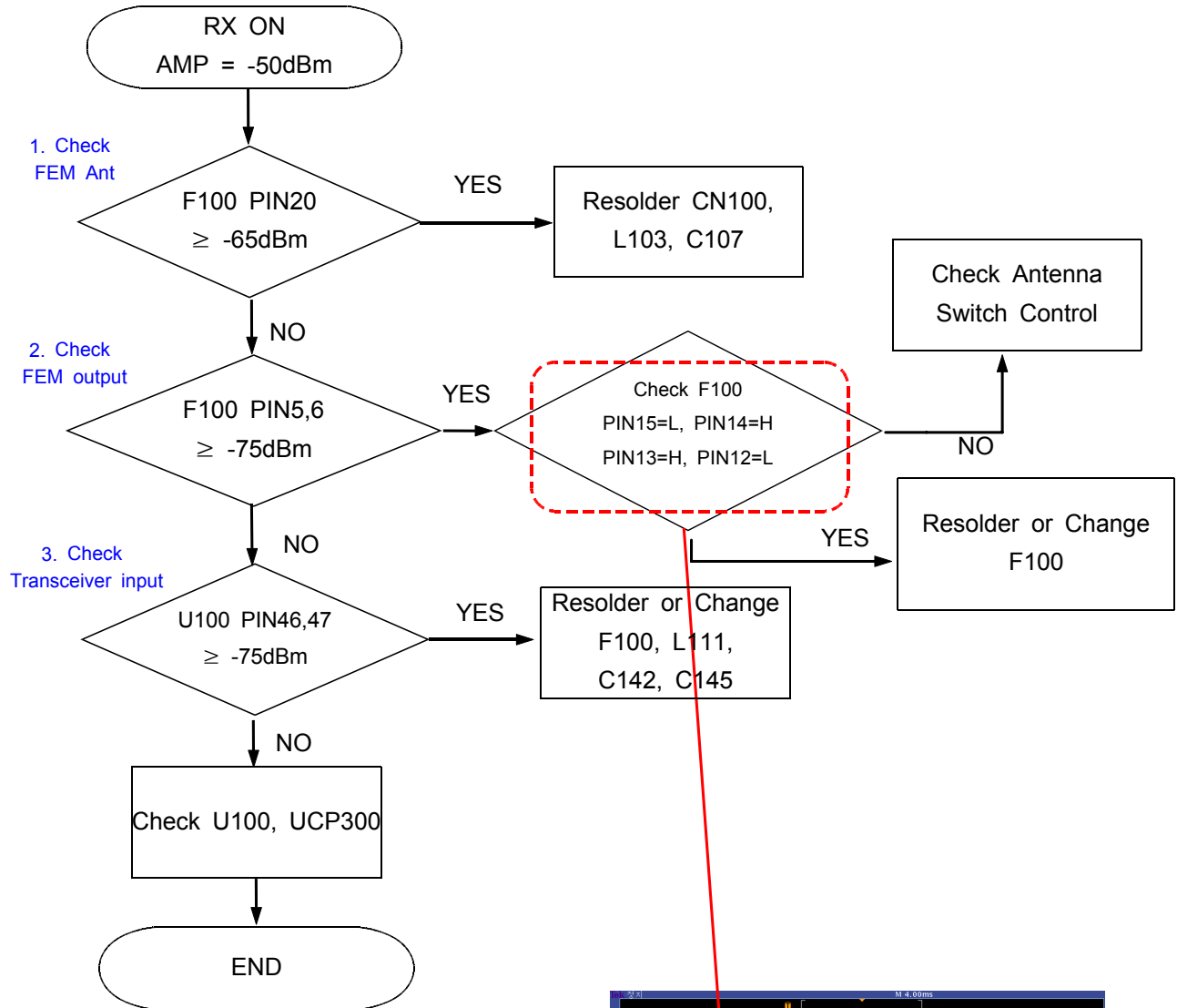


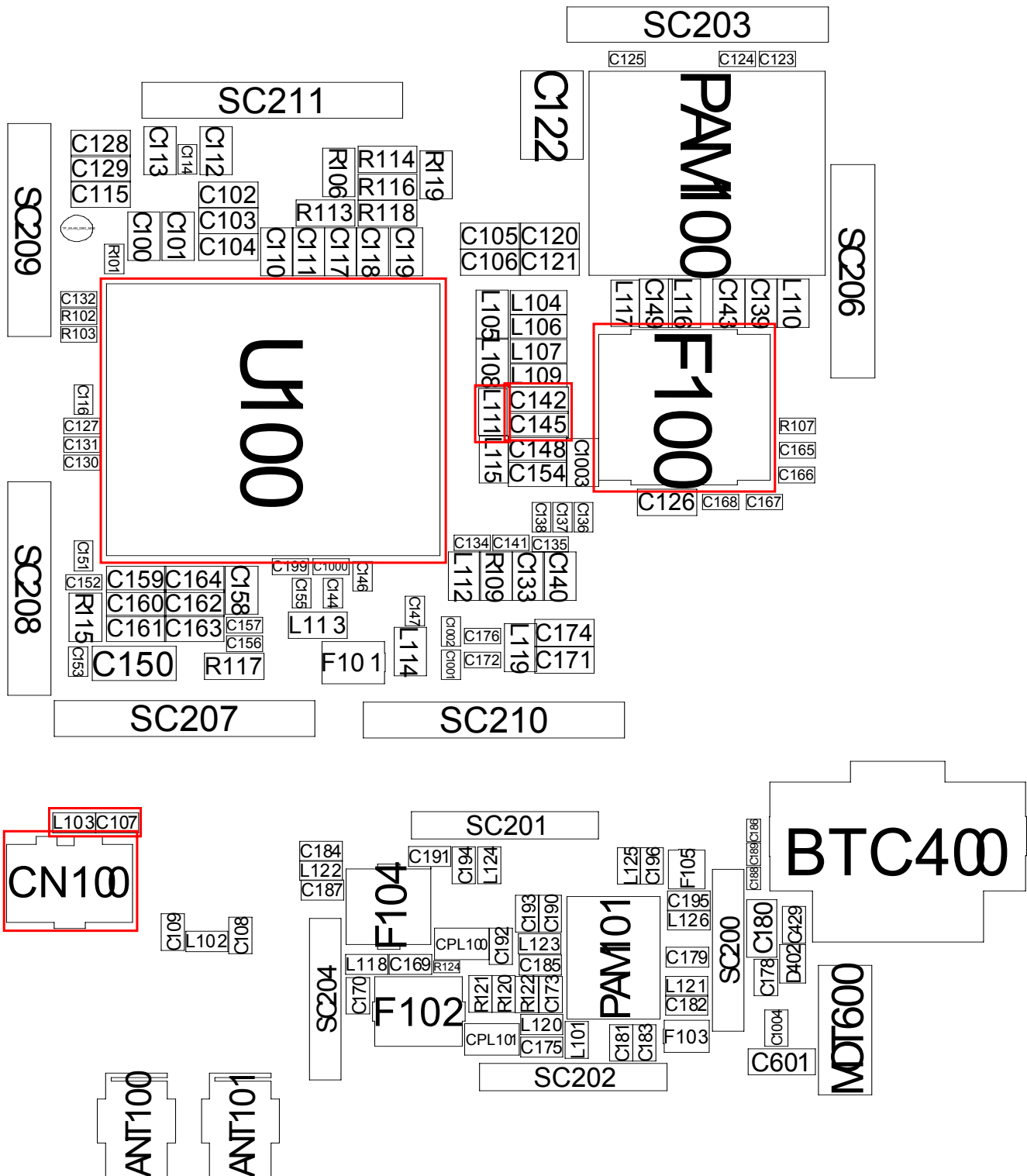




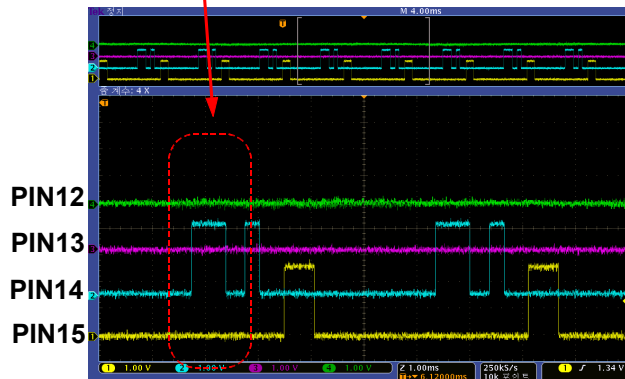
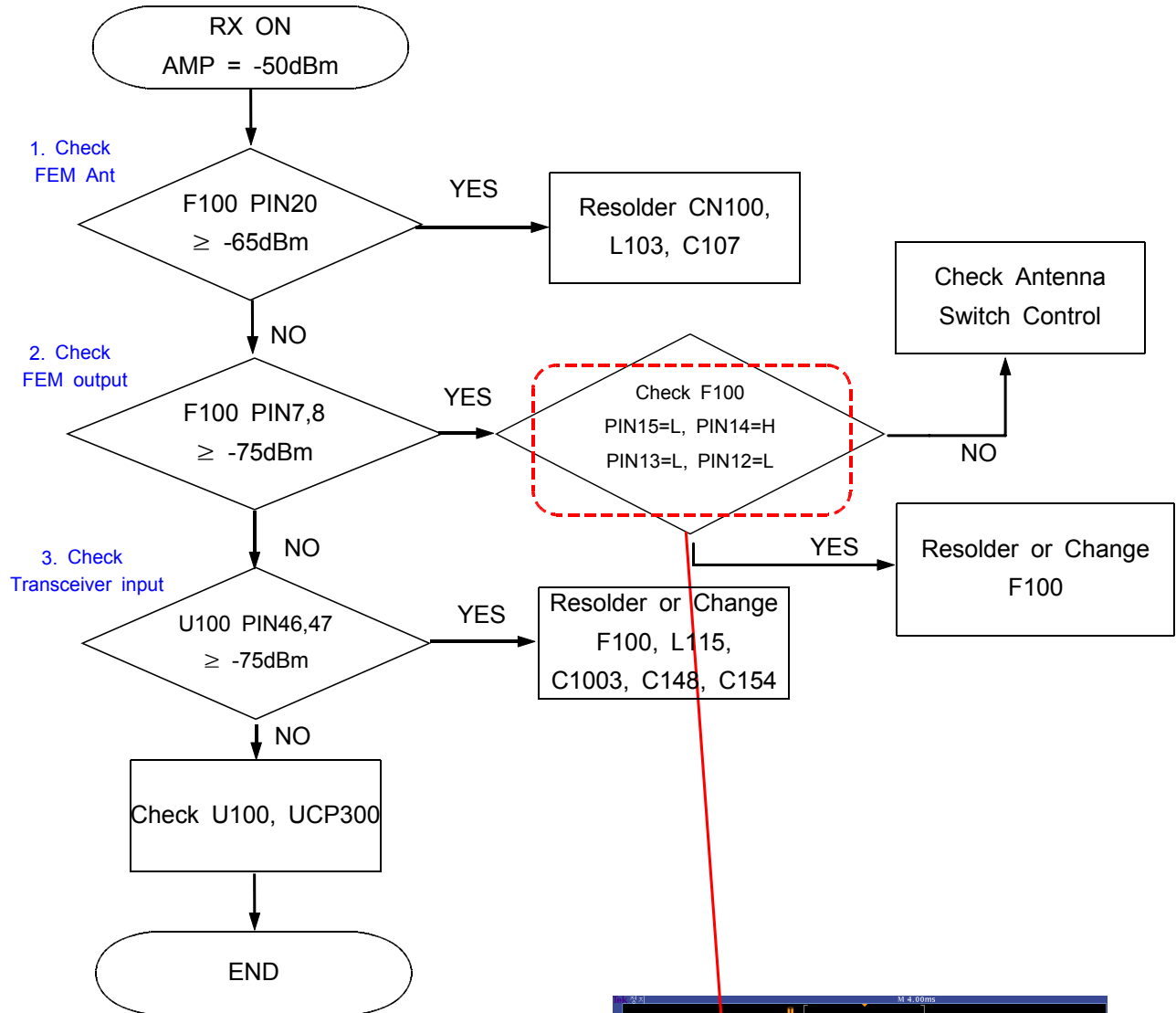


9-2-12. Abnormal DCS Rx Operation

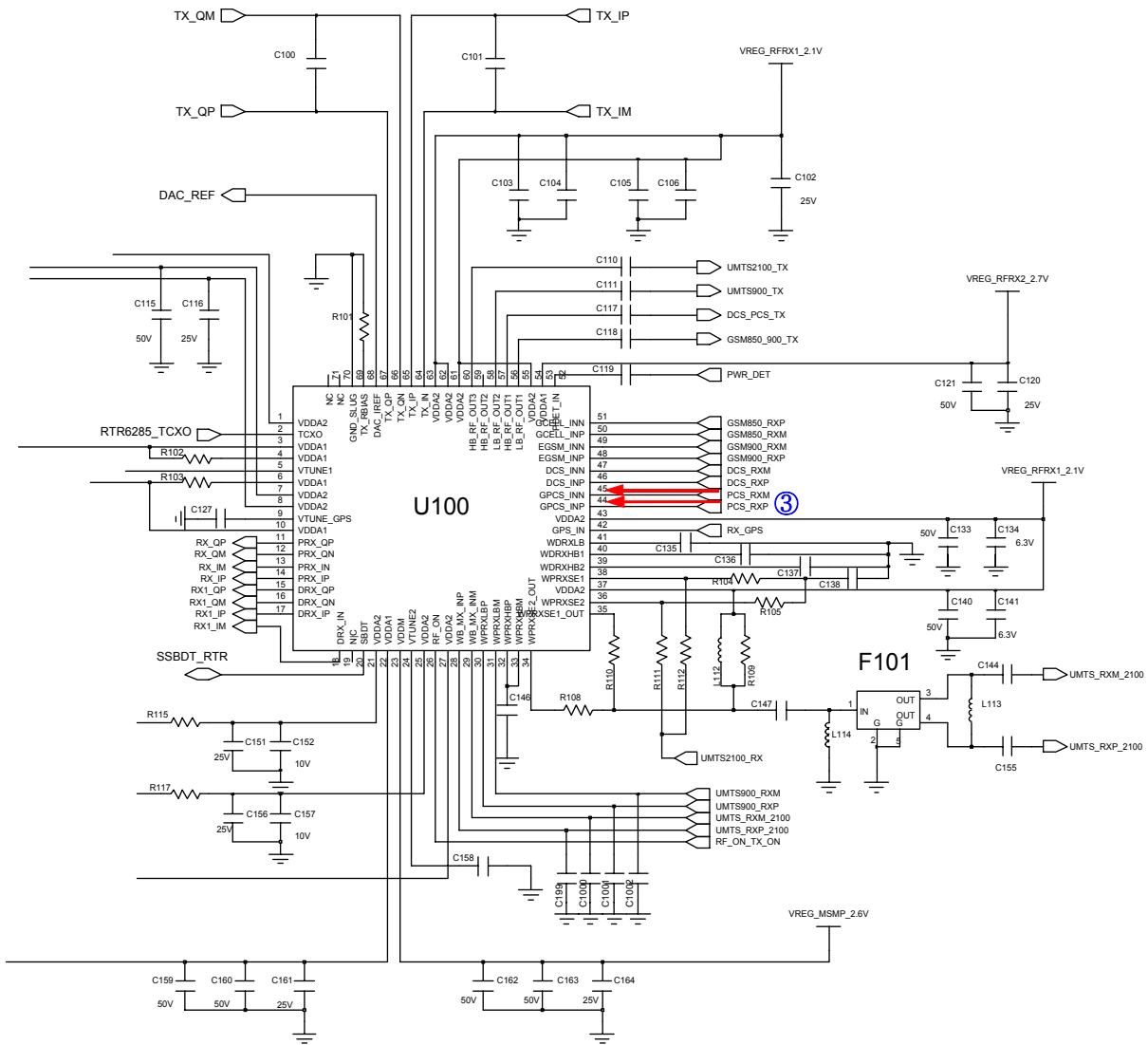


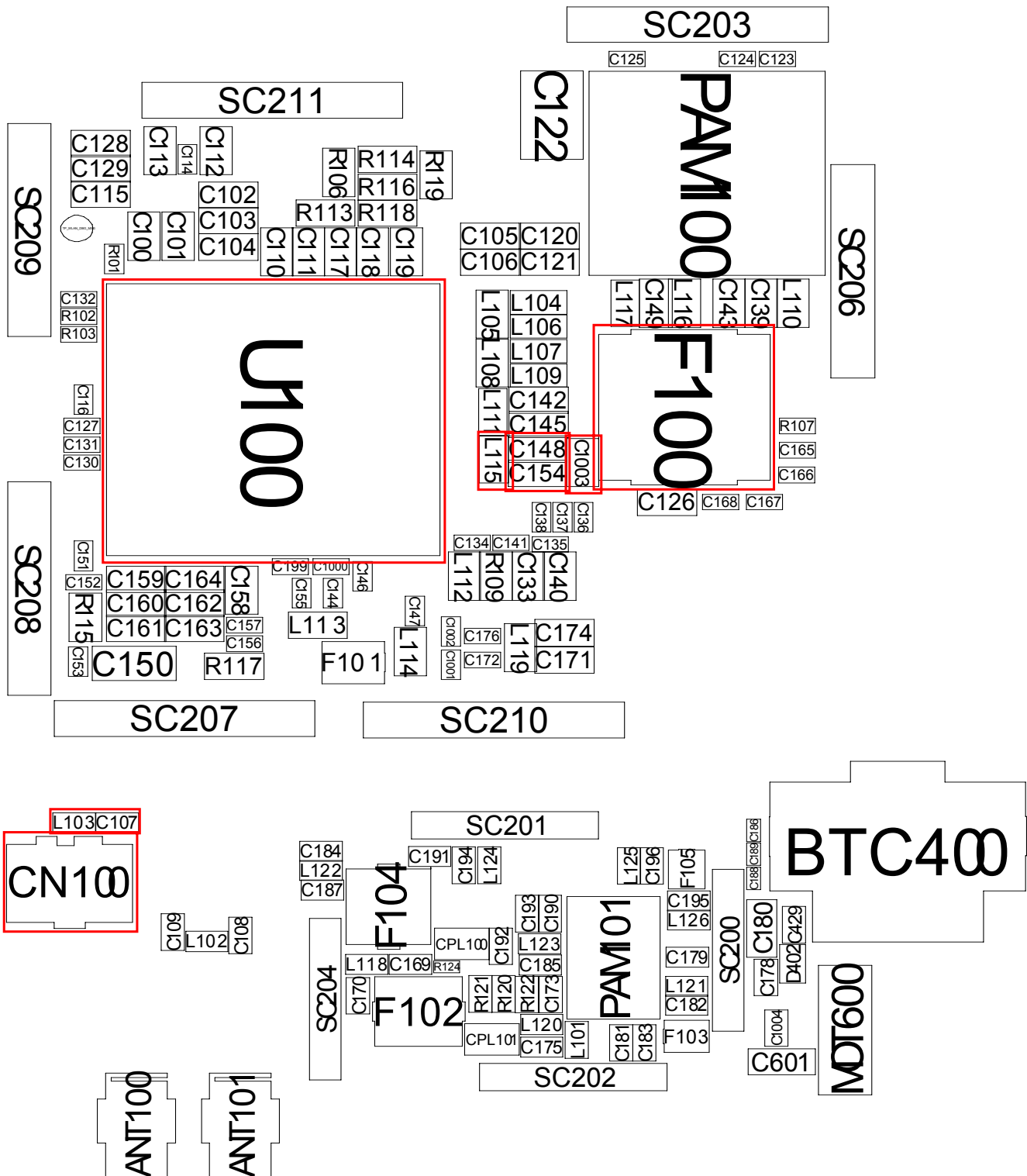


9-2-13. Abnormal PCS Rx Operation



Flow Chart of Troubleshooting





9-2-14. Abnormal GPS Rx Operation

