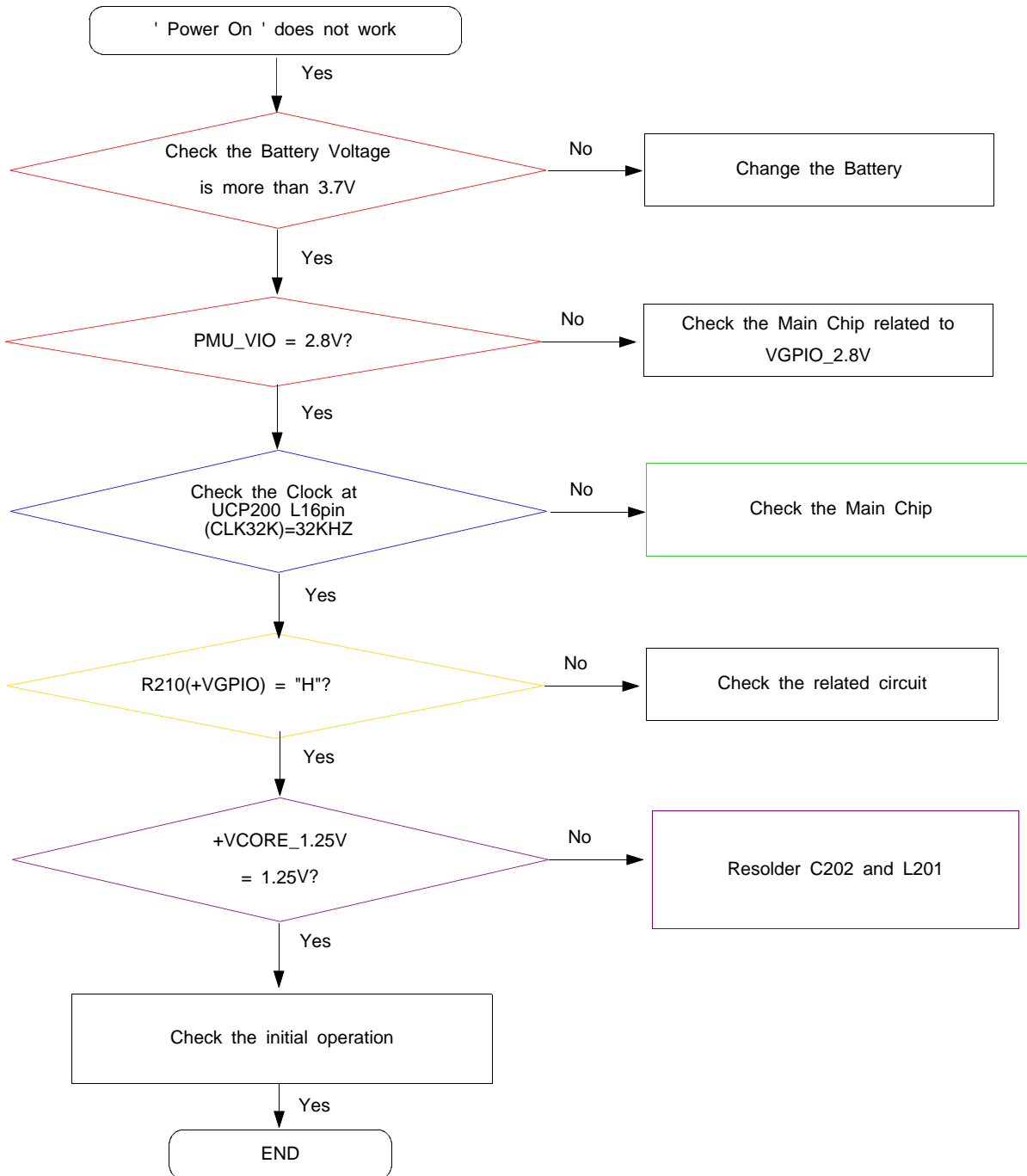


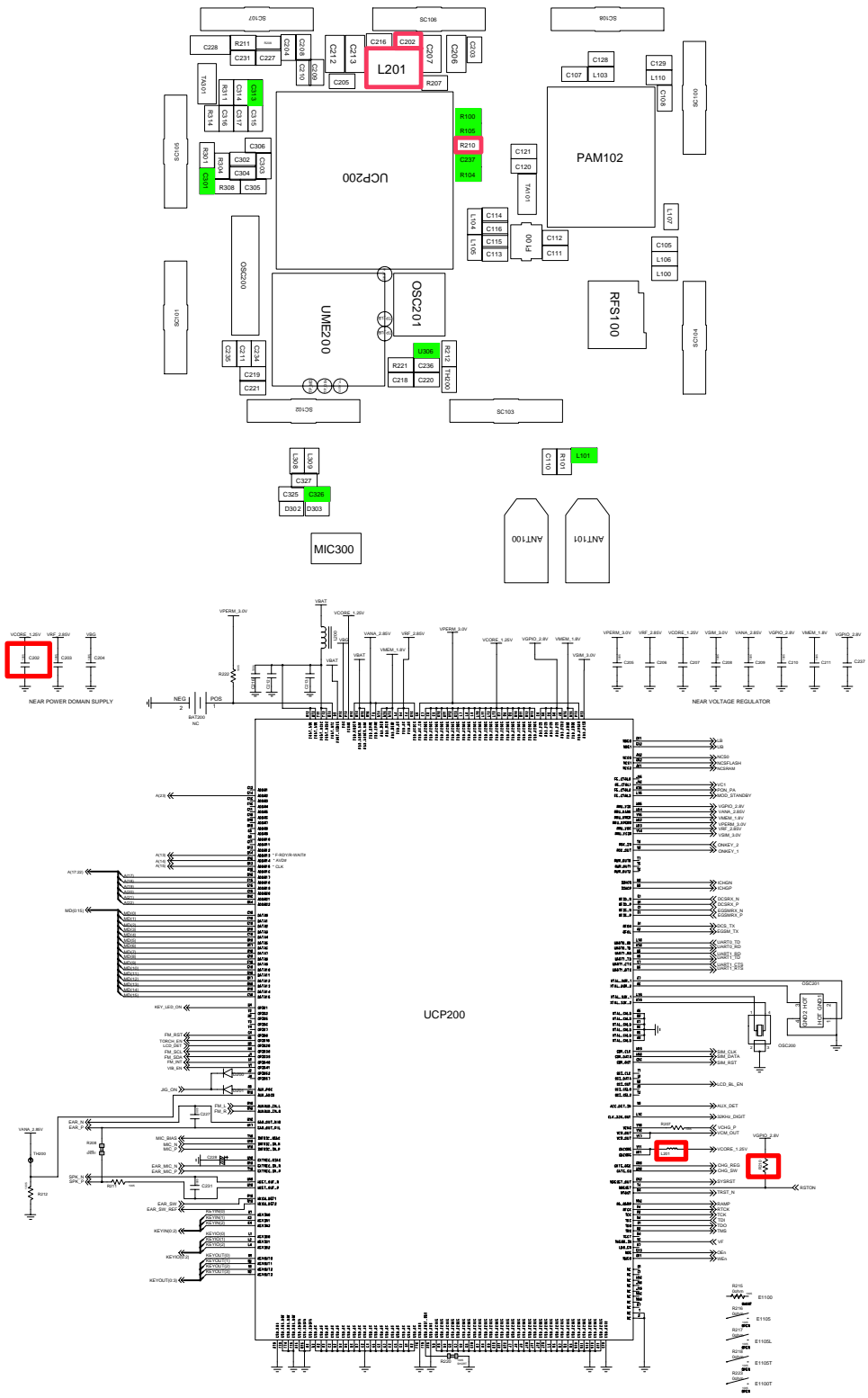
9.

!

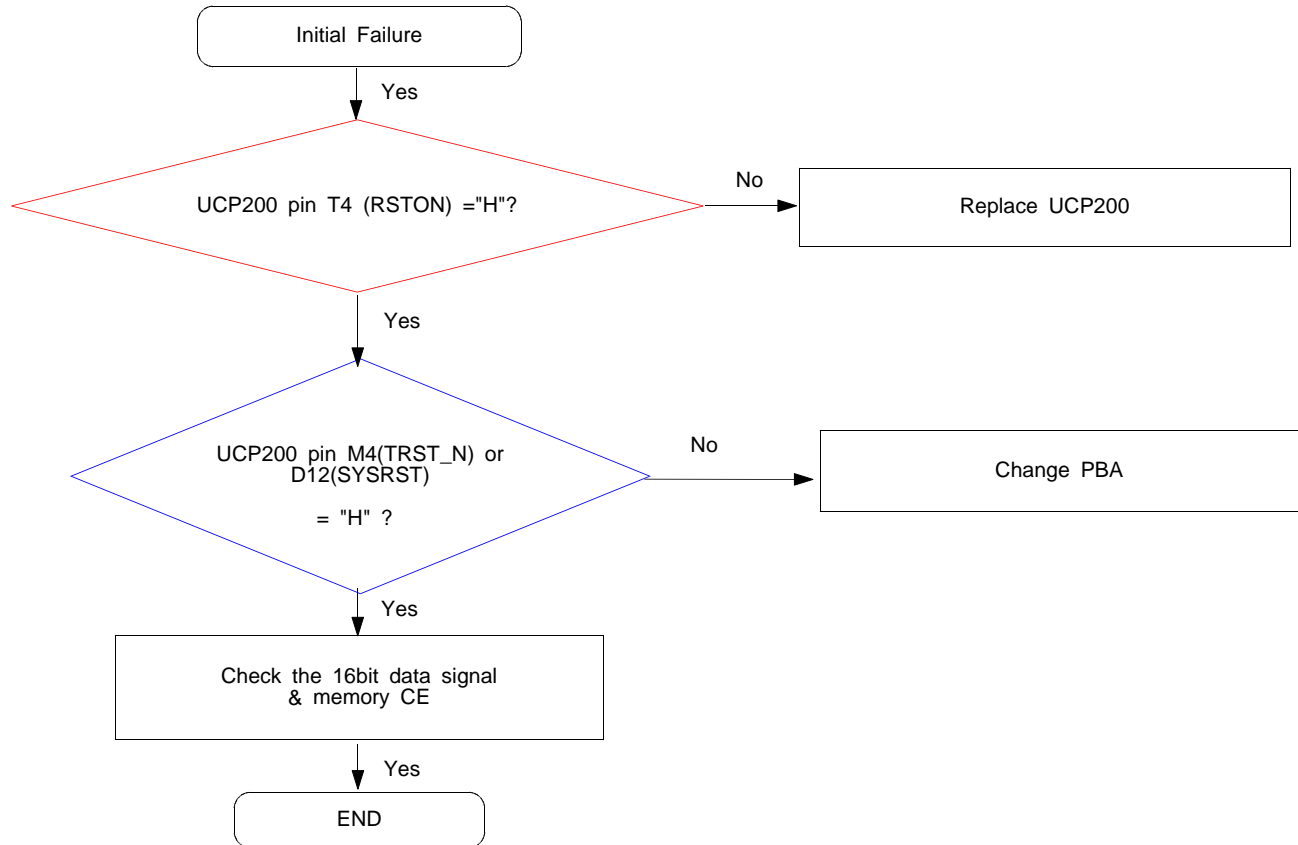
9-1. Power On



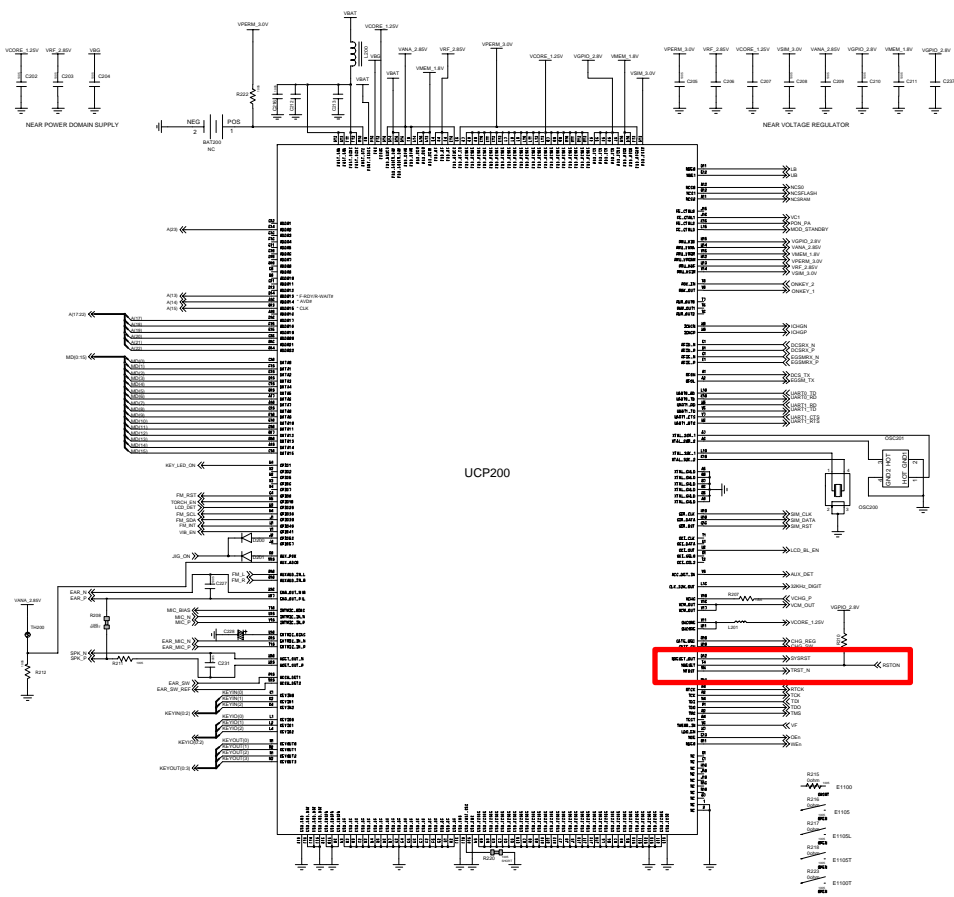
Flow Chart of Troubleshooting



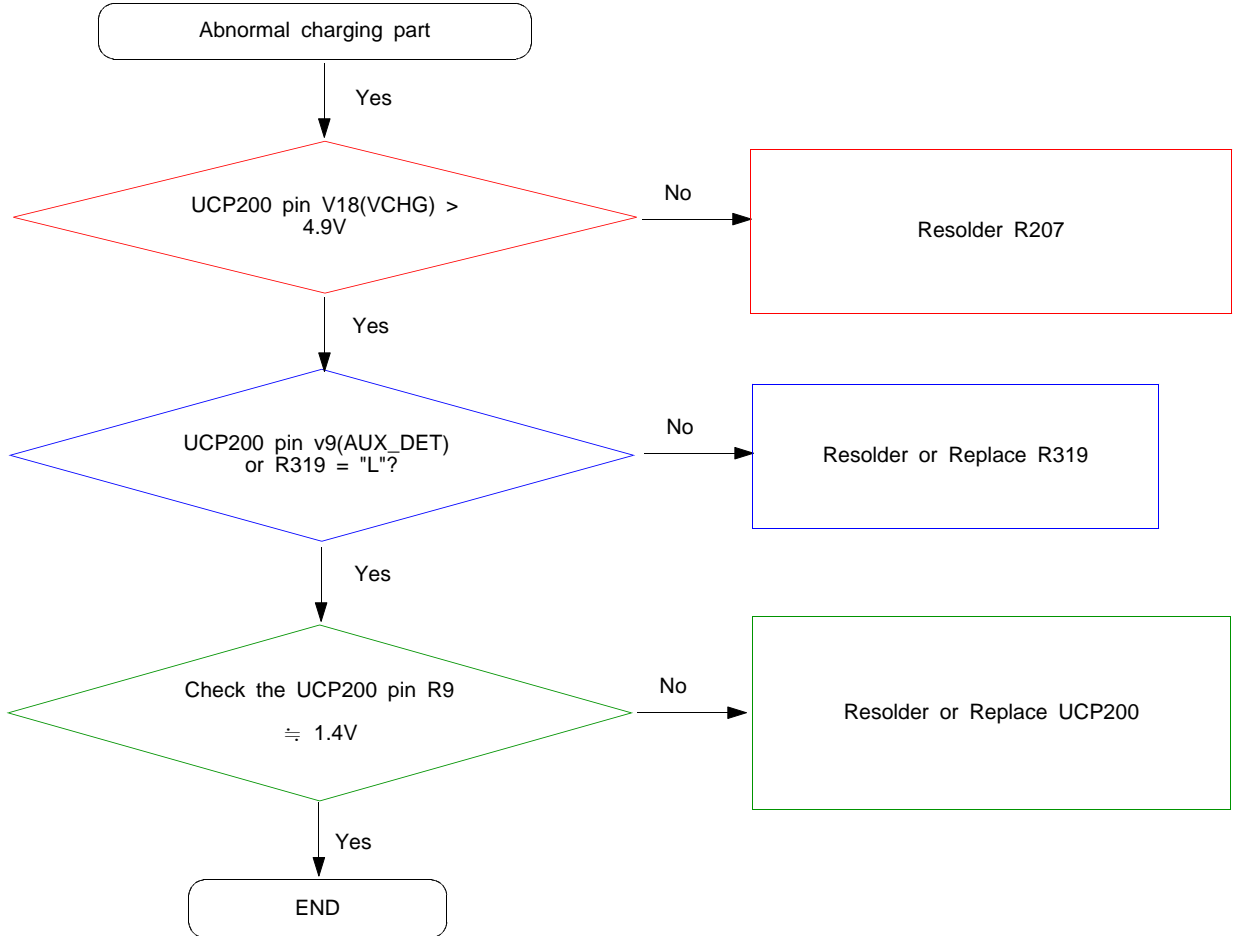
9-2. Initial



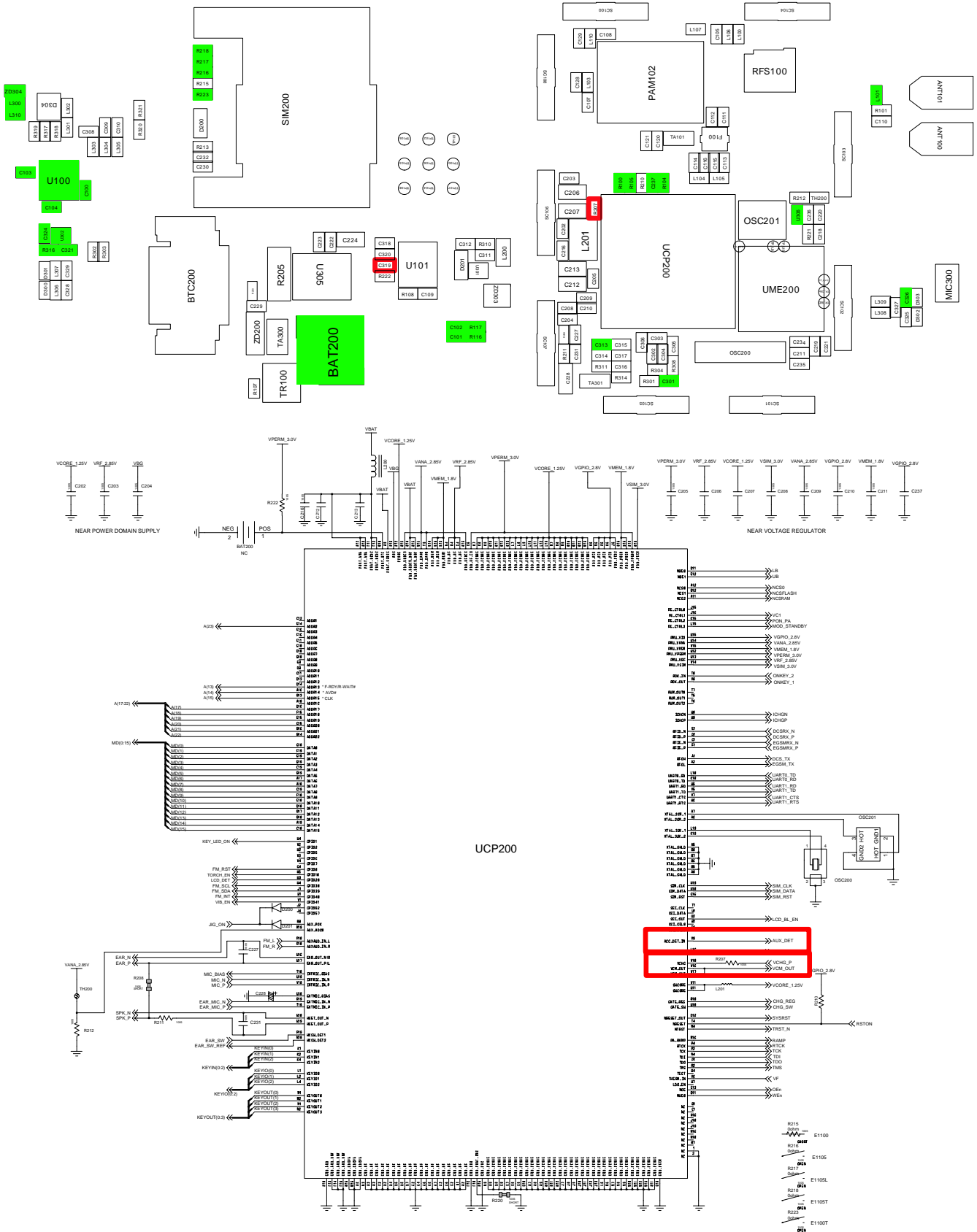
Flow Chart of Troubleshooting



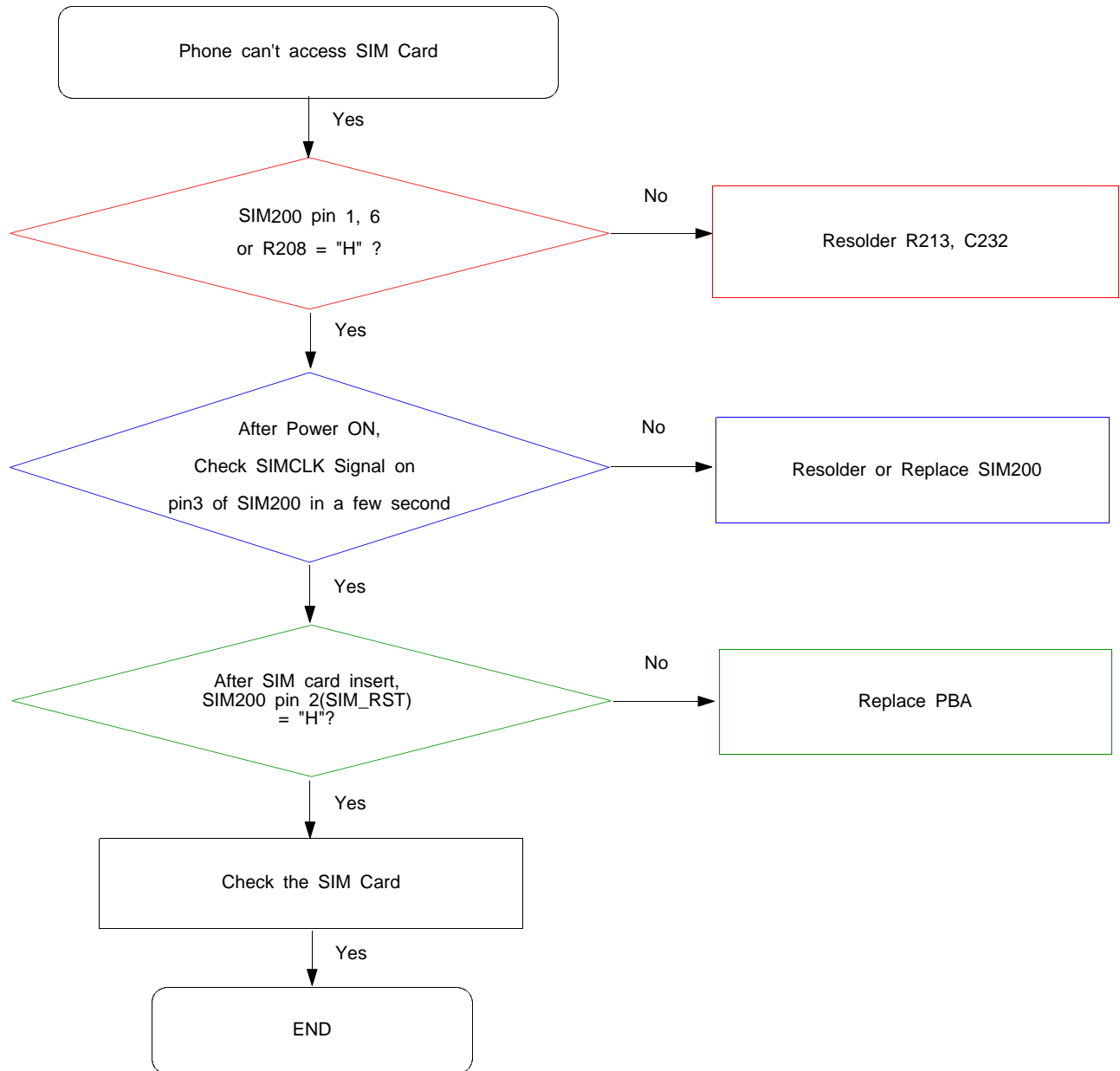
9-3. Charging Part

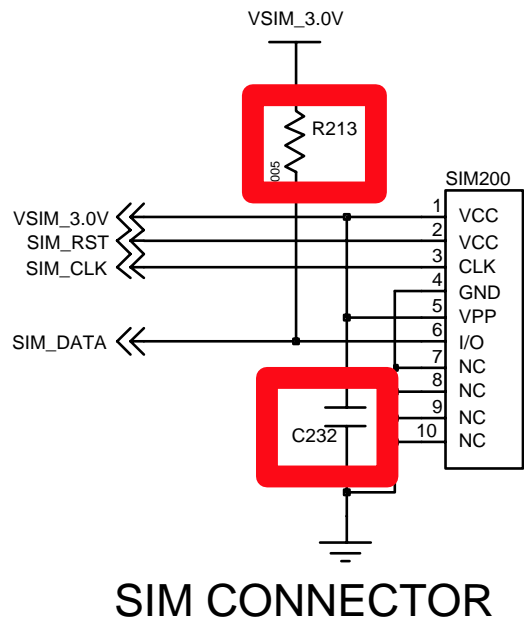
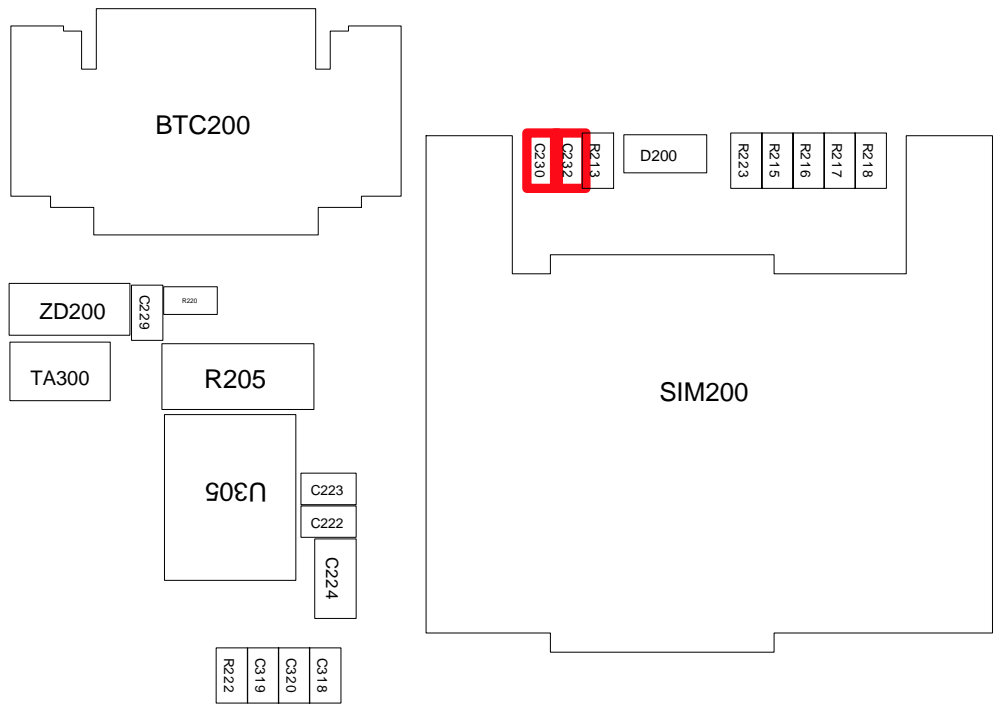


Flow Chart of Troubleshooting

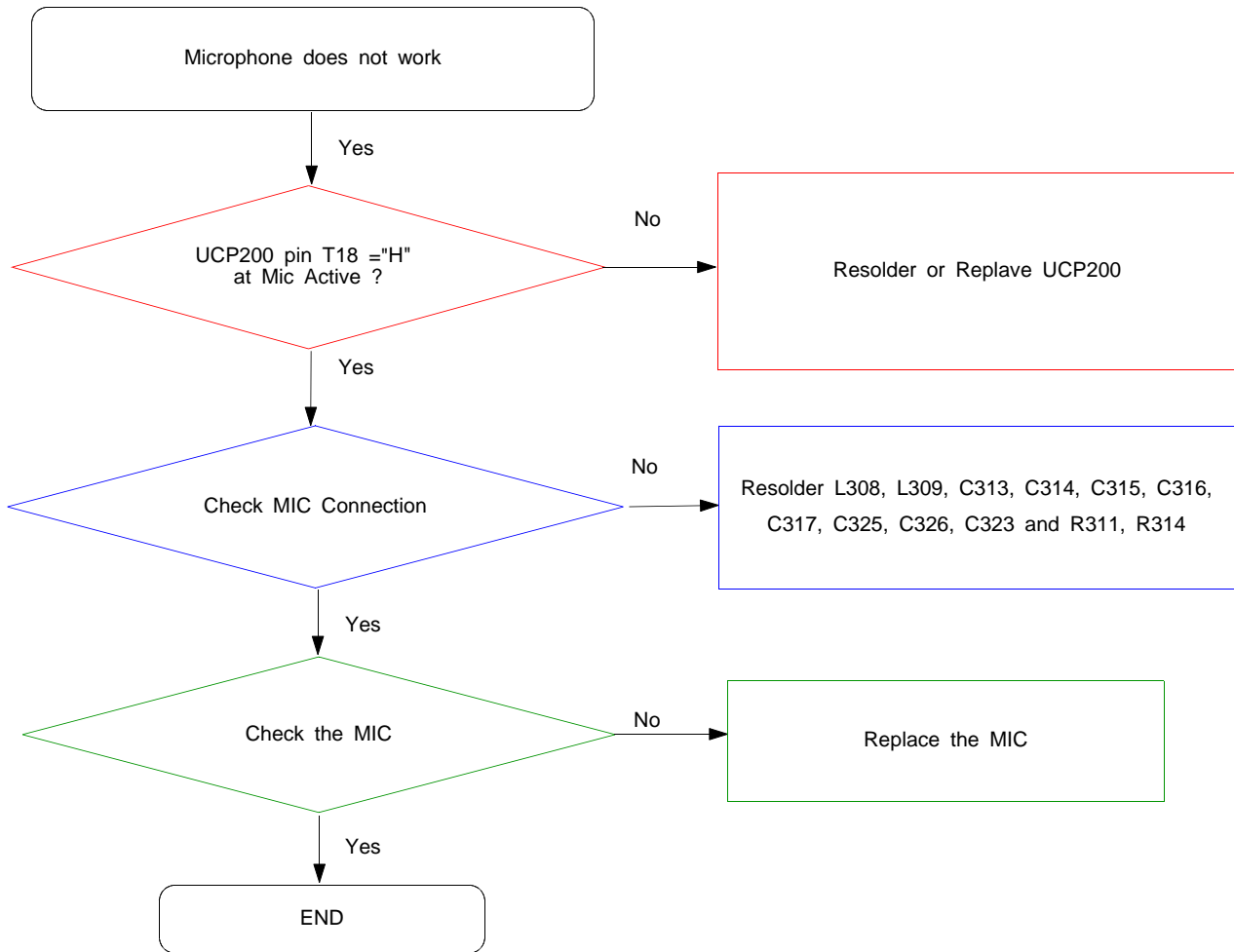


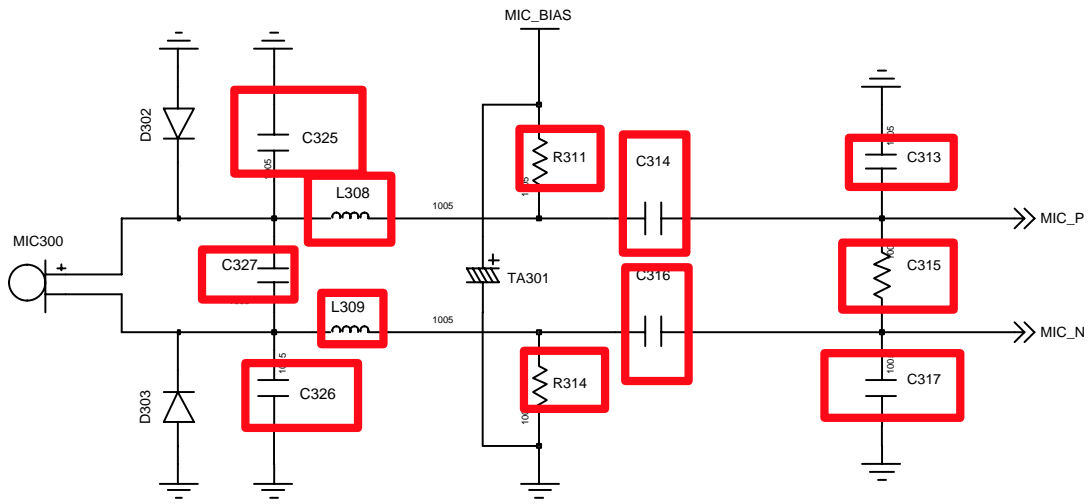
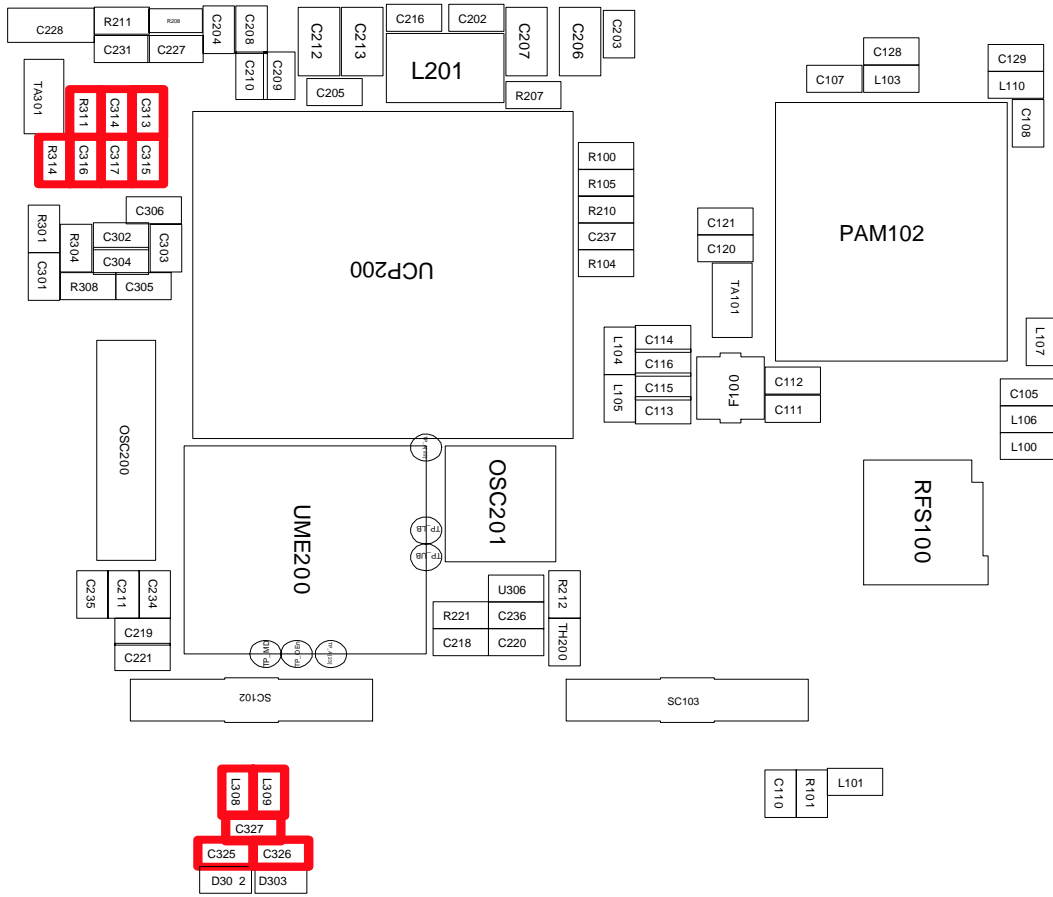
9-4. Sim Part





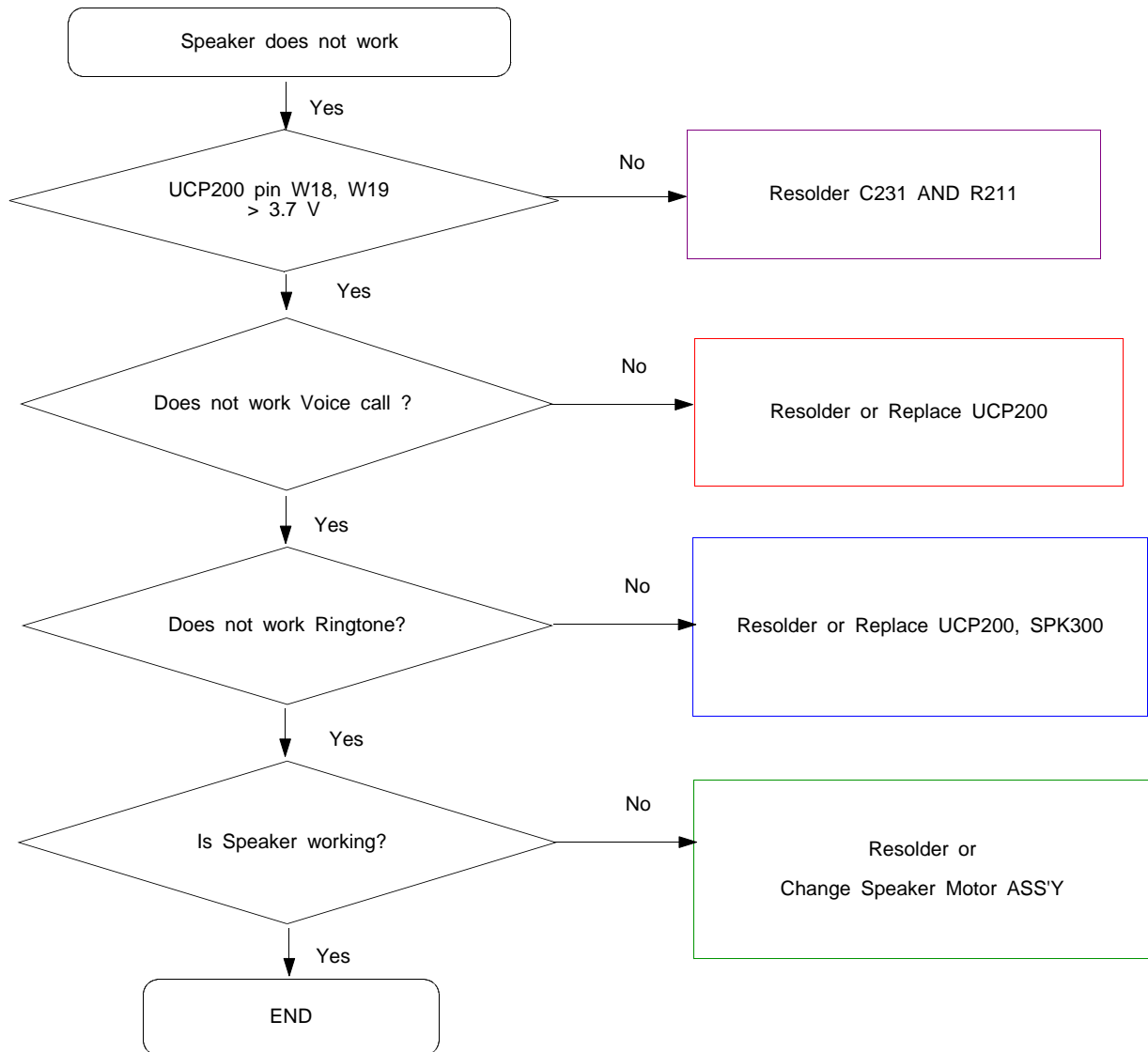
9-5. Microphone Part

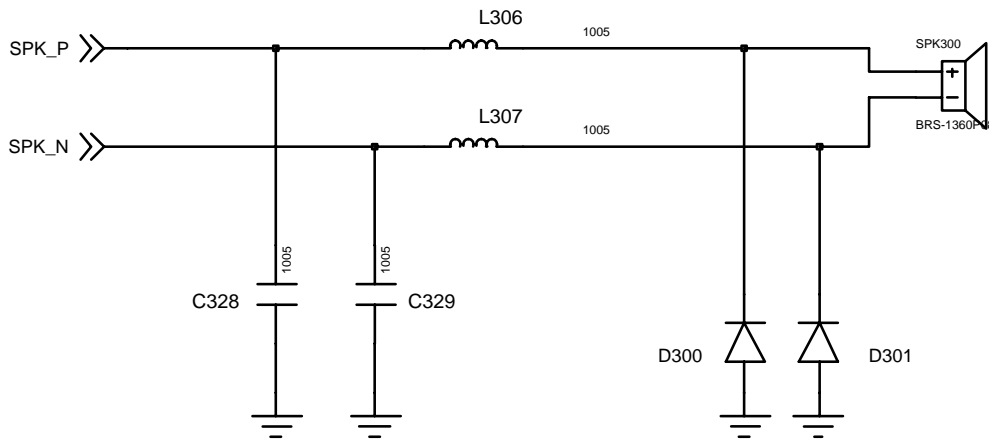
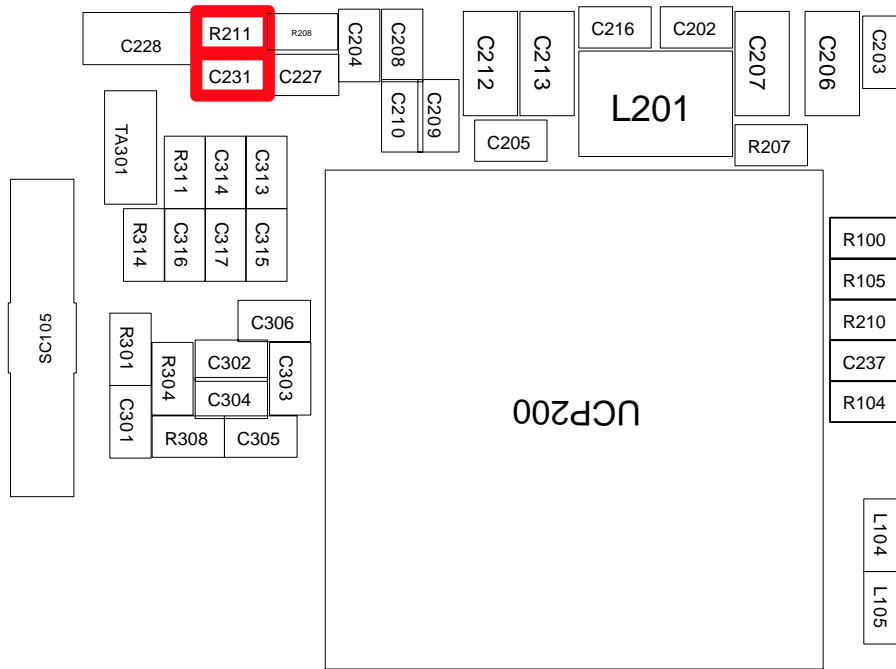




MAIN_MIC

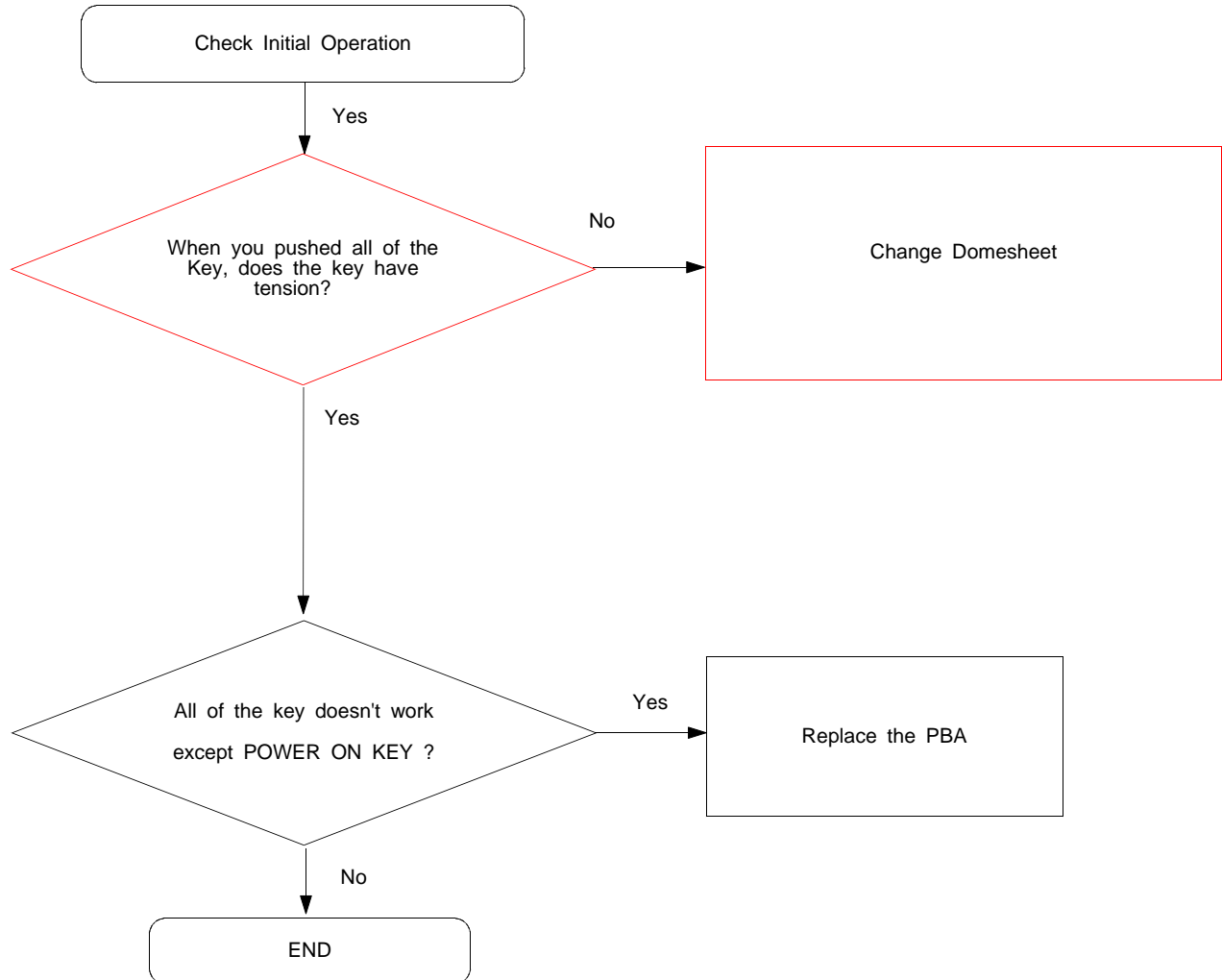
9-6. Speaker Part



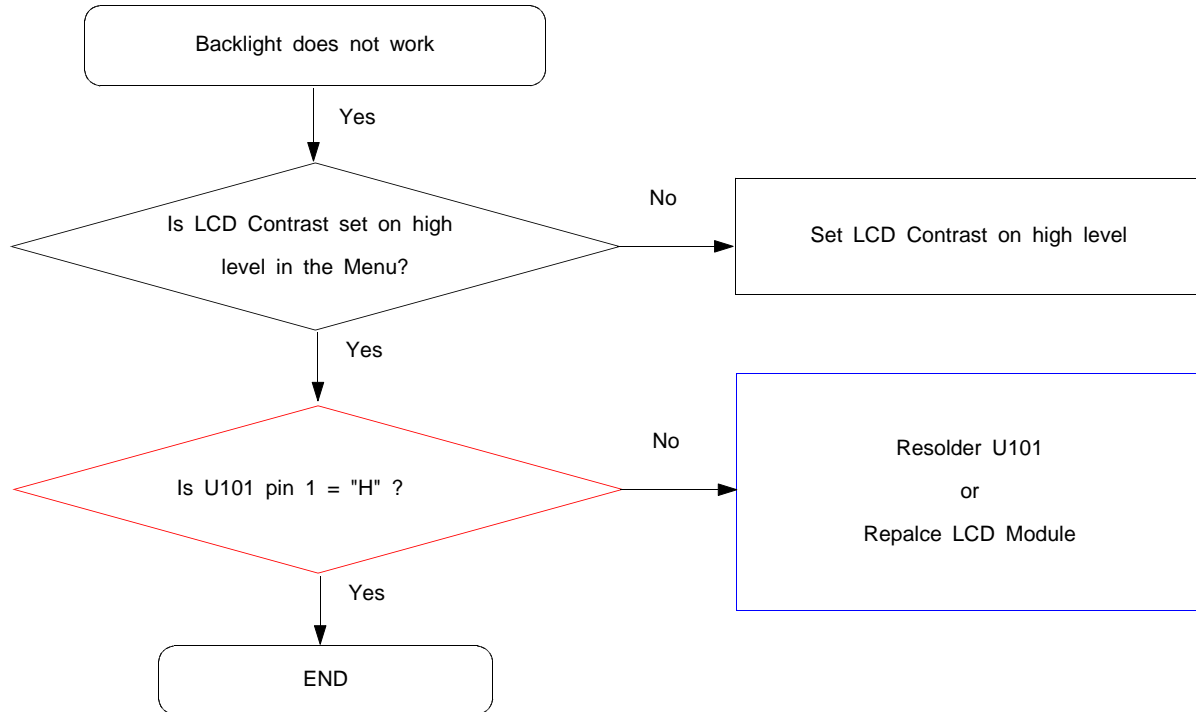


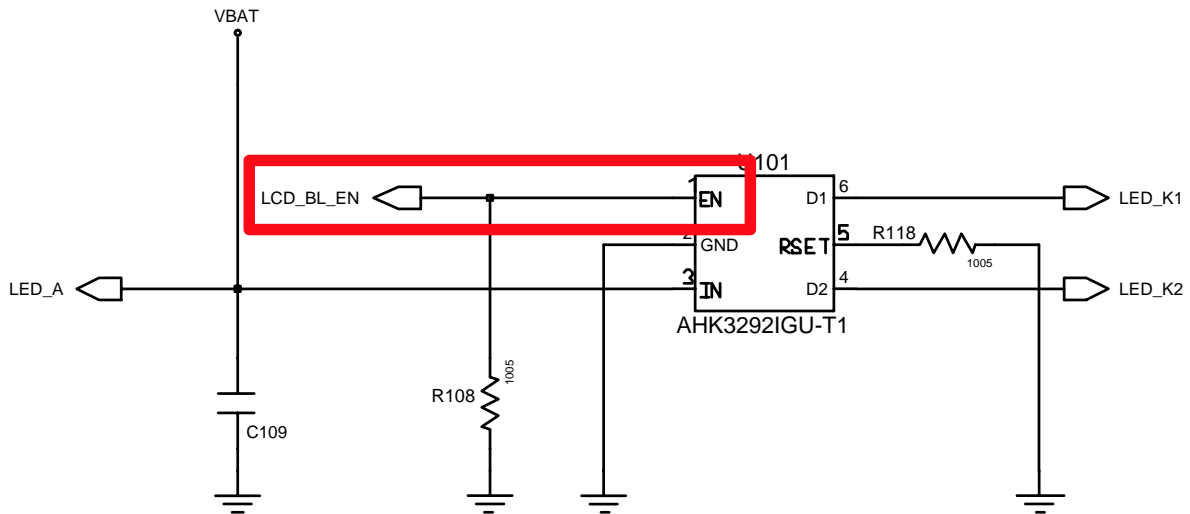
SPEAKER

9-7. Key Data Input



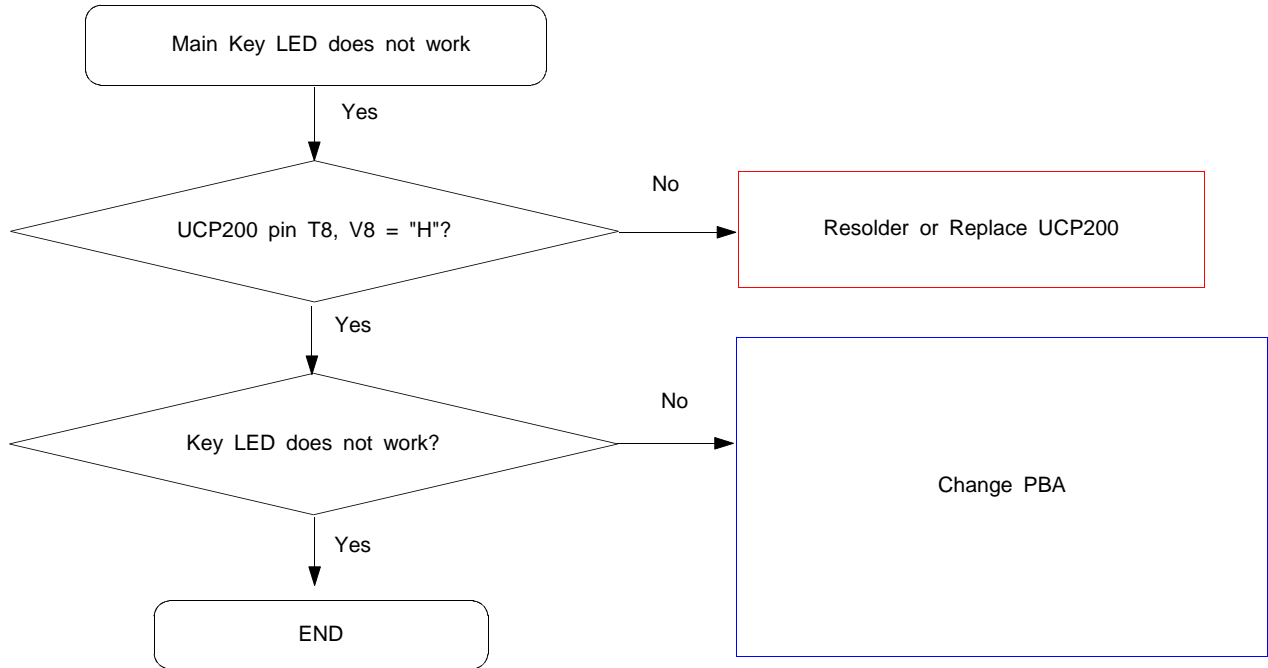
9-8. Back Light (for Color Main LCD)



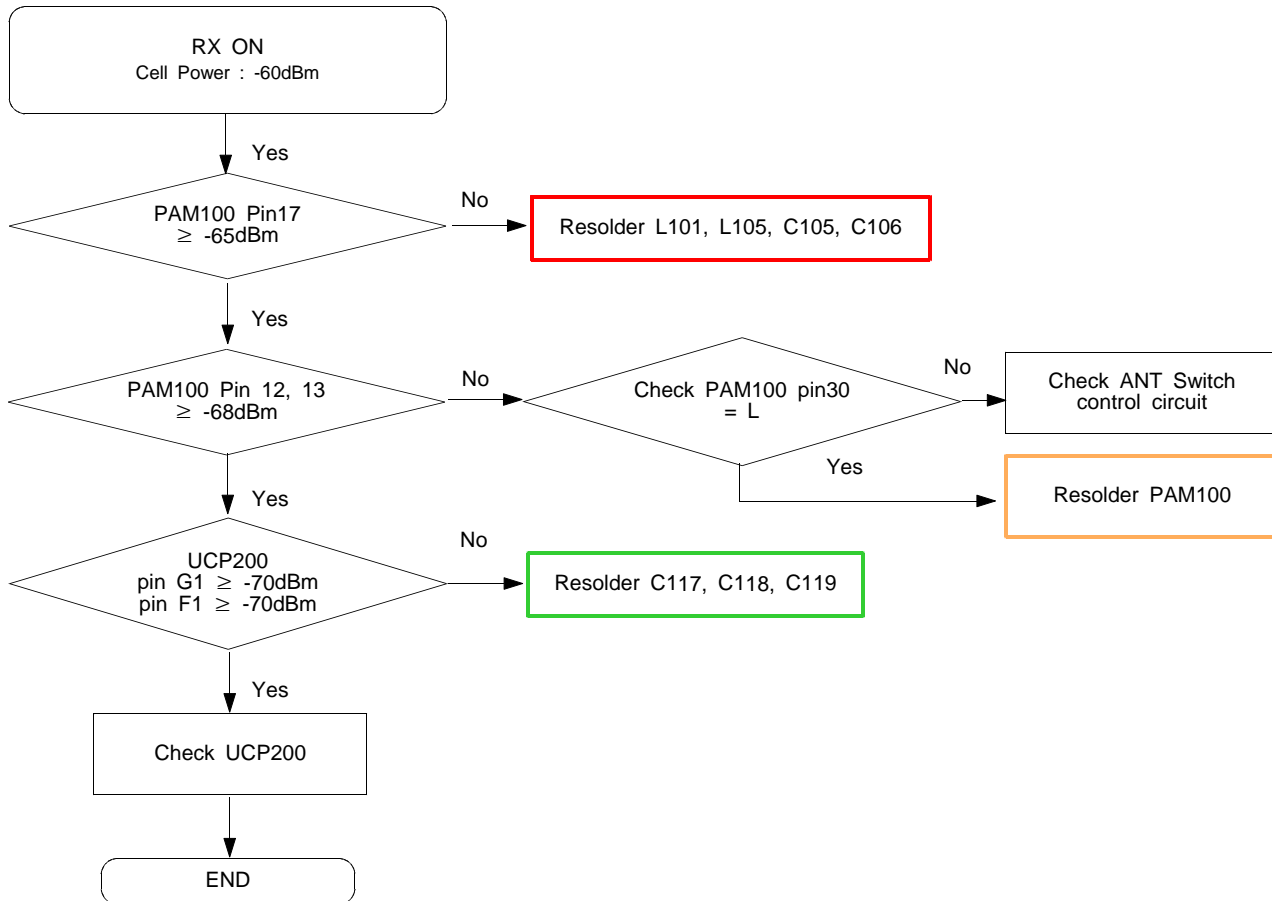


LCD BACKLIGHT

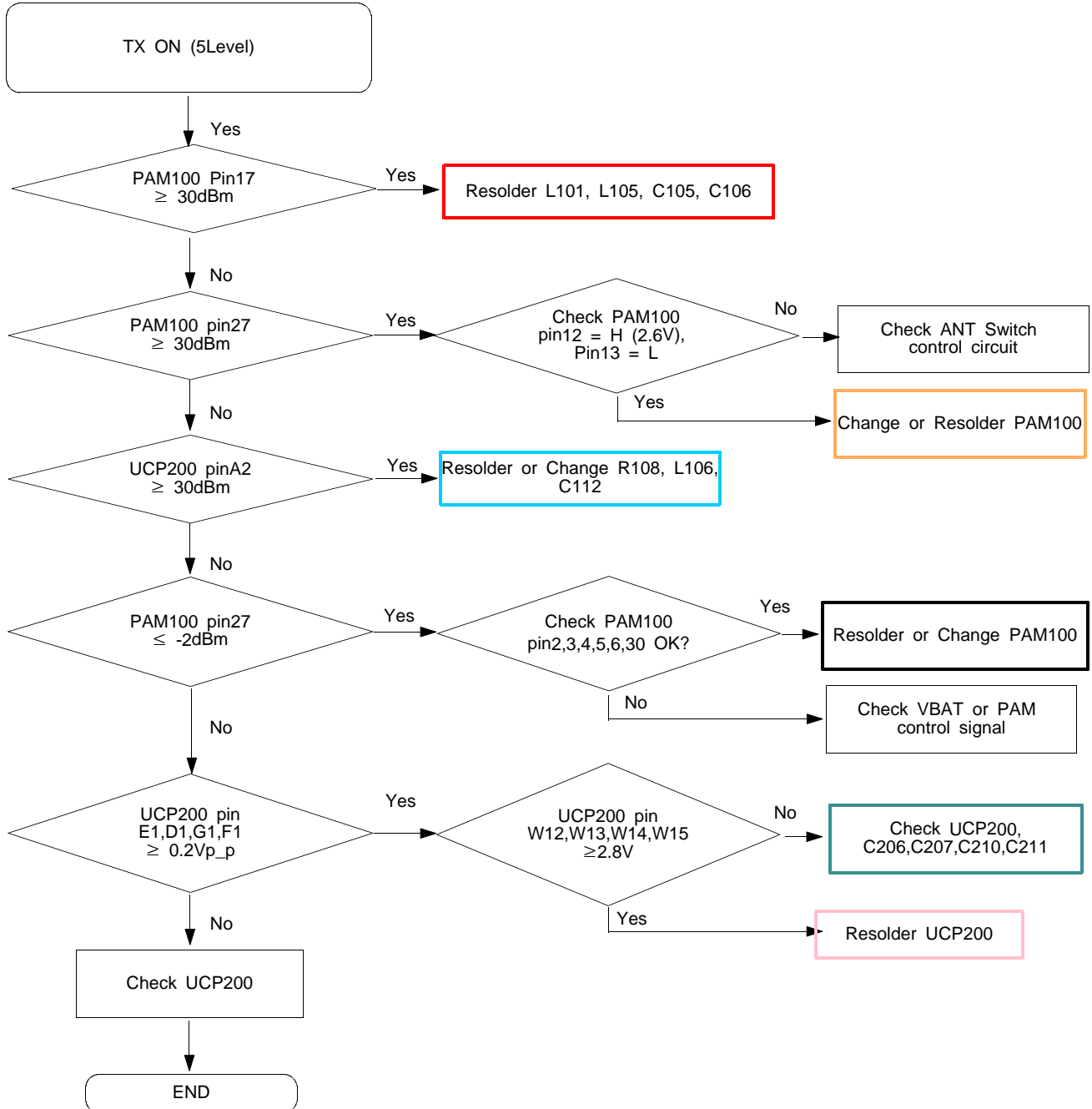
9-9. Key Back Light



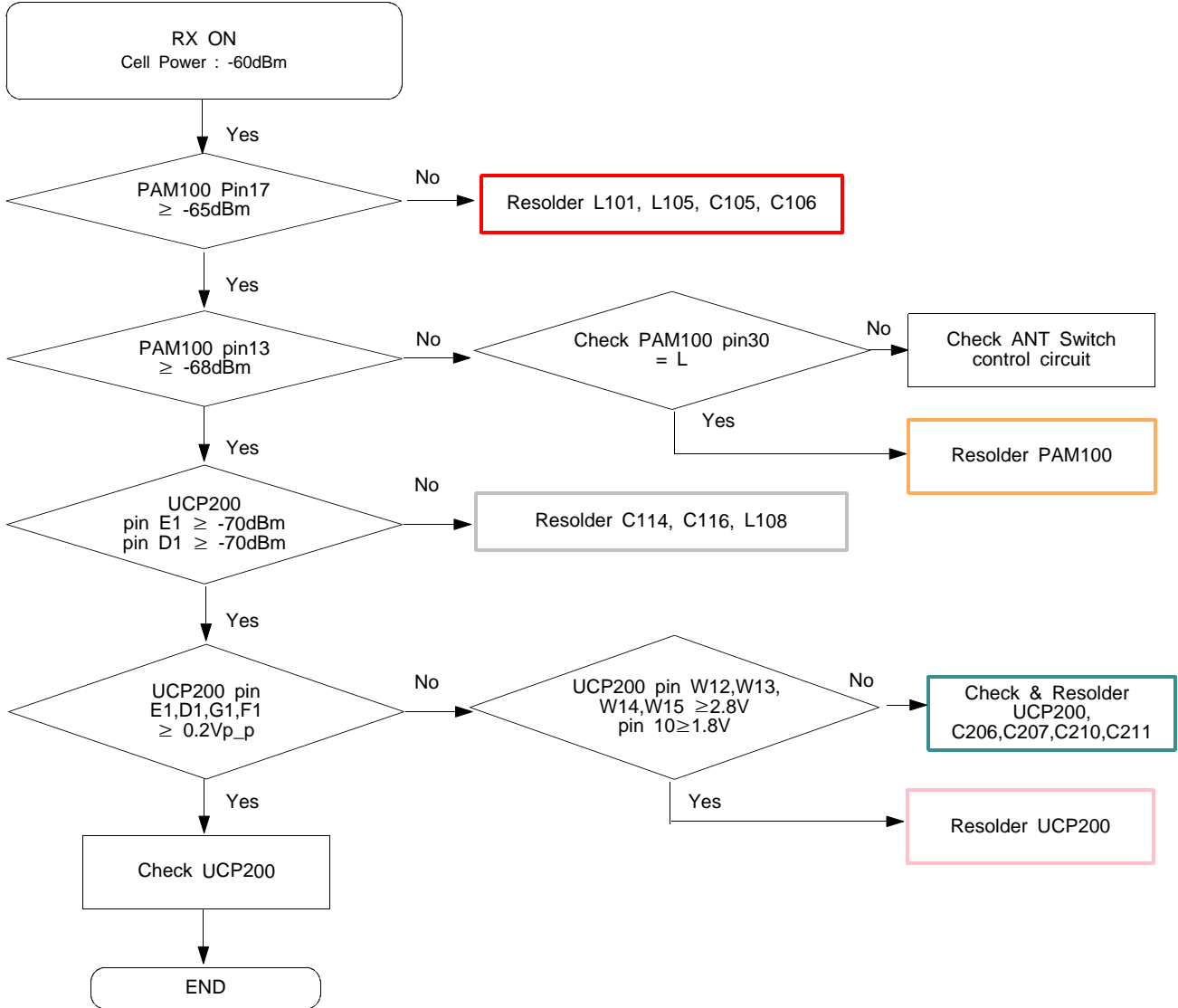
9-12. GSM Receiver



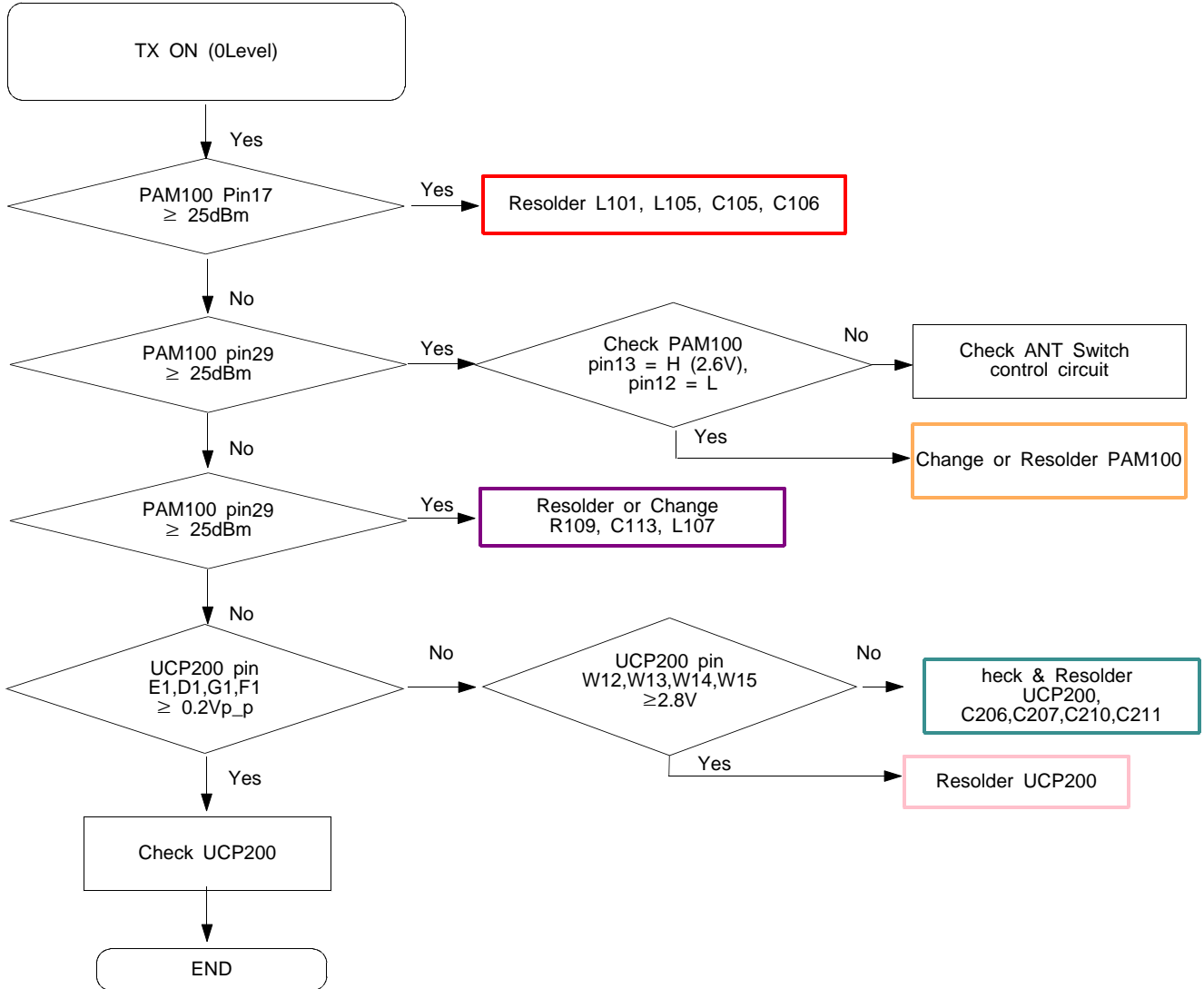
9-13. GSM Transmitter

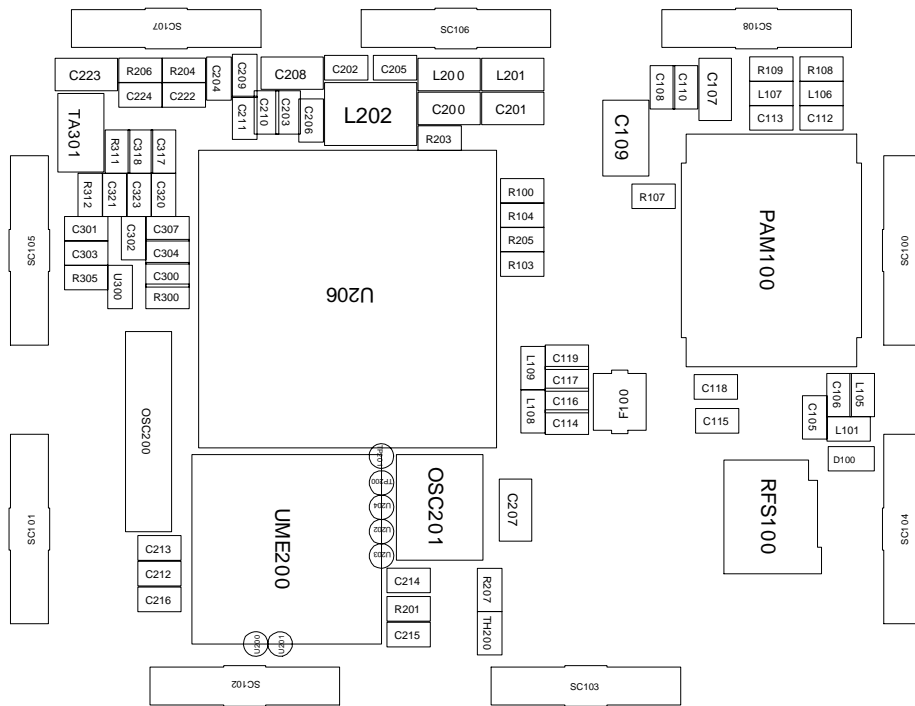


9-14. DCS Receiver



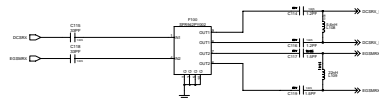
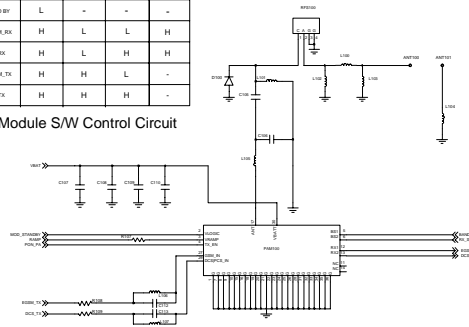
9-15. DCS Transmitter





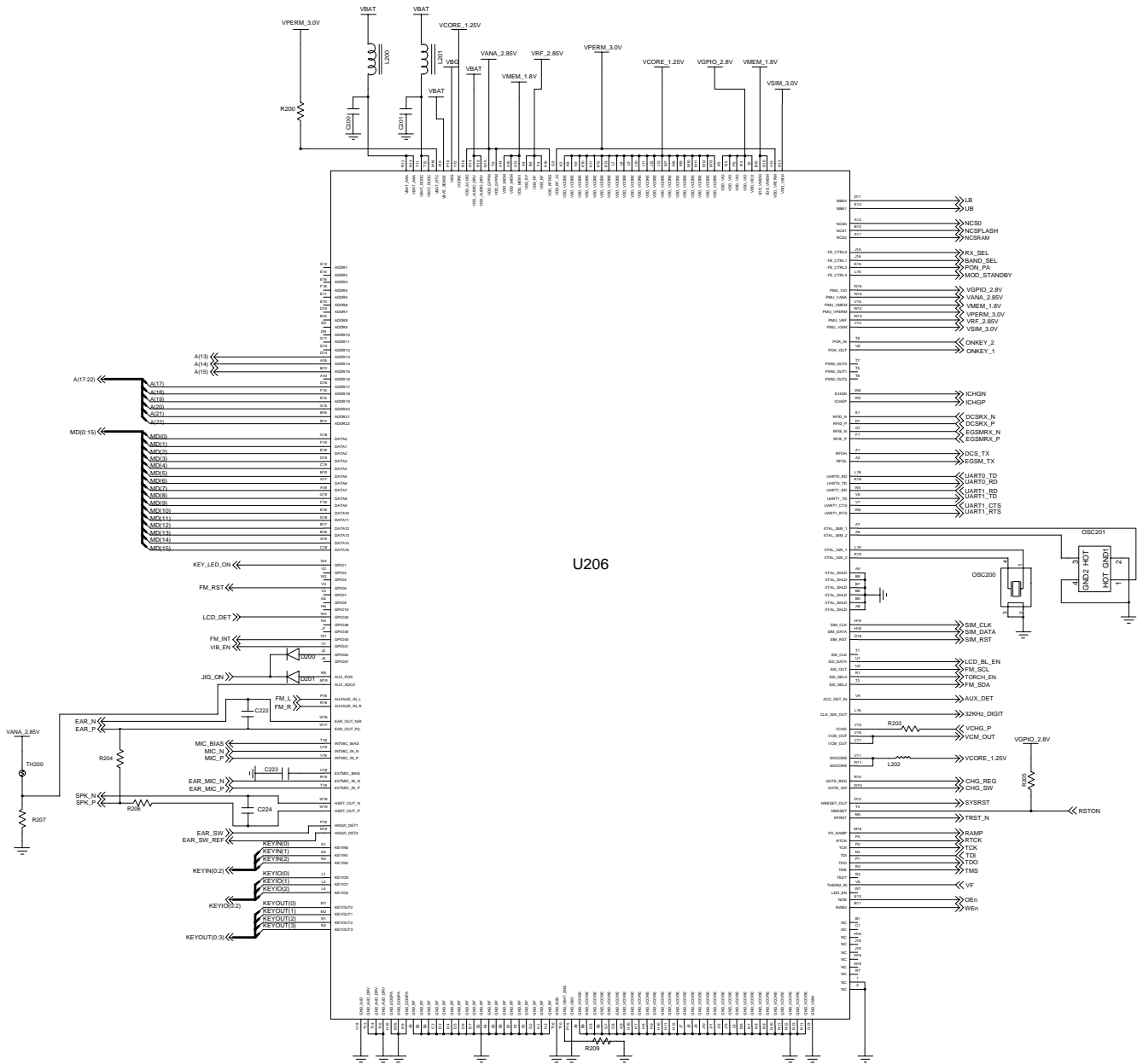
	MOD. STANDBY	POW_PA	SMND_SEL	RA_SEL
STANDBY	L	-	-	-
ESDM_RX	H	L	L	H
DCL_RX	H	L	H	H
ESDM_TX	H	H	L	-
DCL_TX	H	H	H	-

TX Module S/W Control Circuit



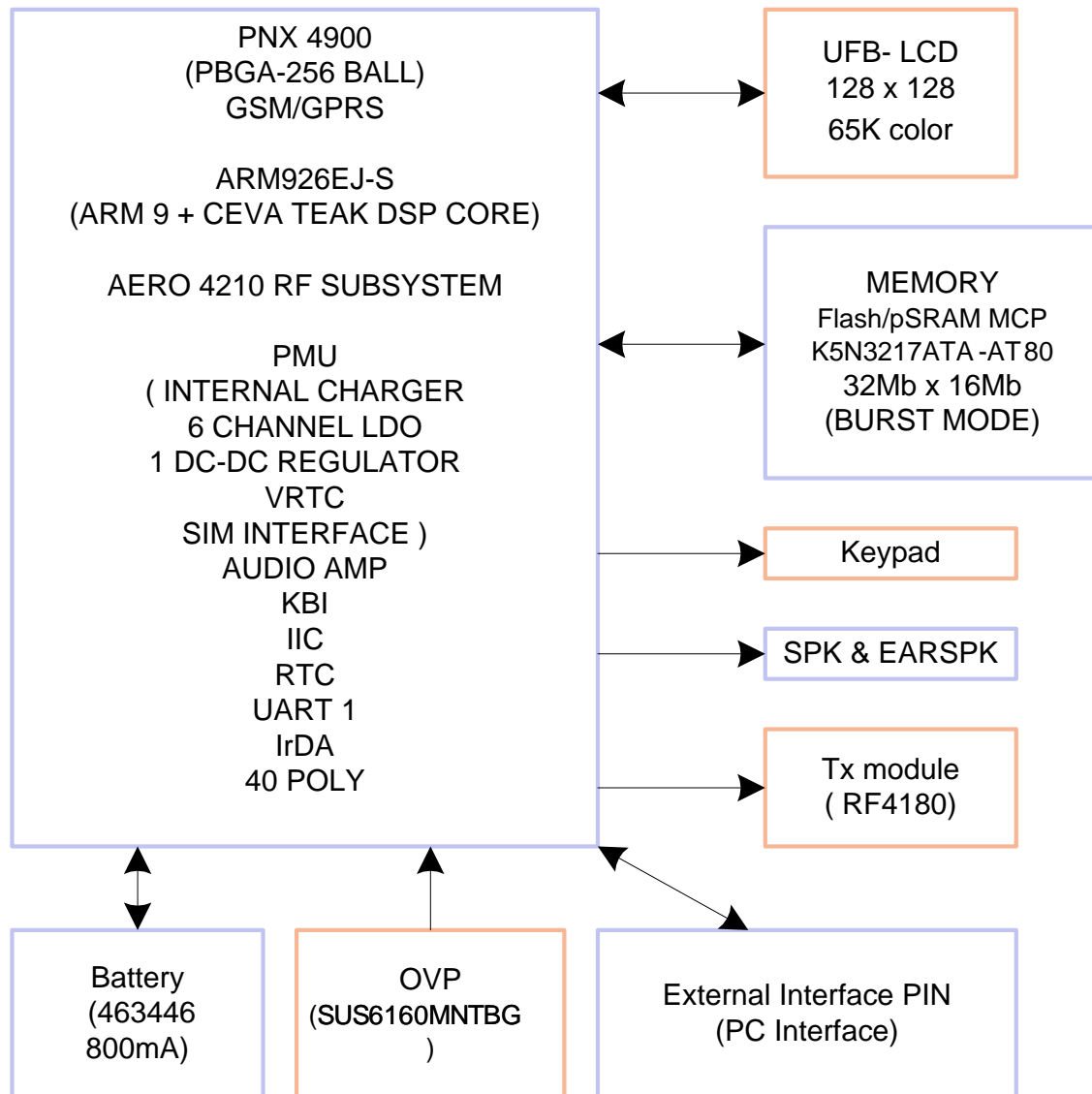
RF Part

Flow Chart of Troubleshooting



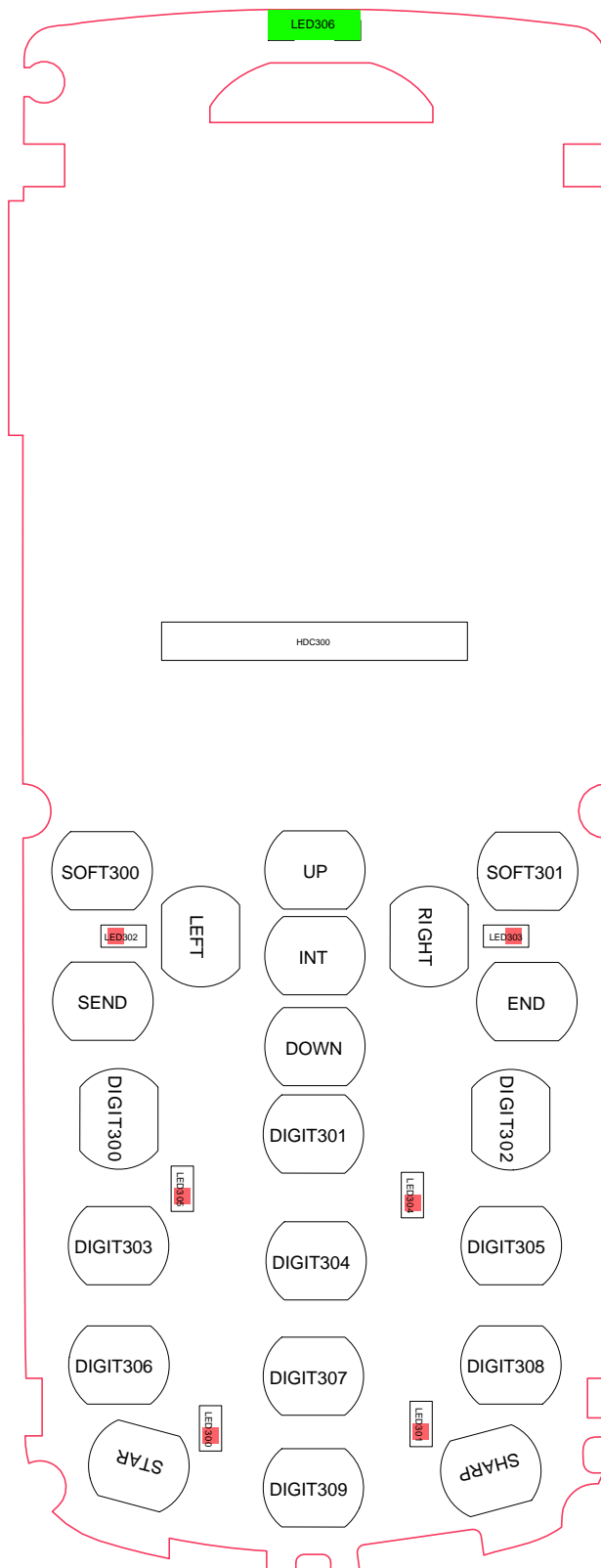
7. Block Diagrams

7-1. RF Solution Block Diagram



8. PCB Diagrams

Top



Bottom

