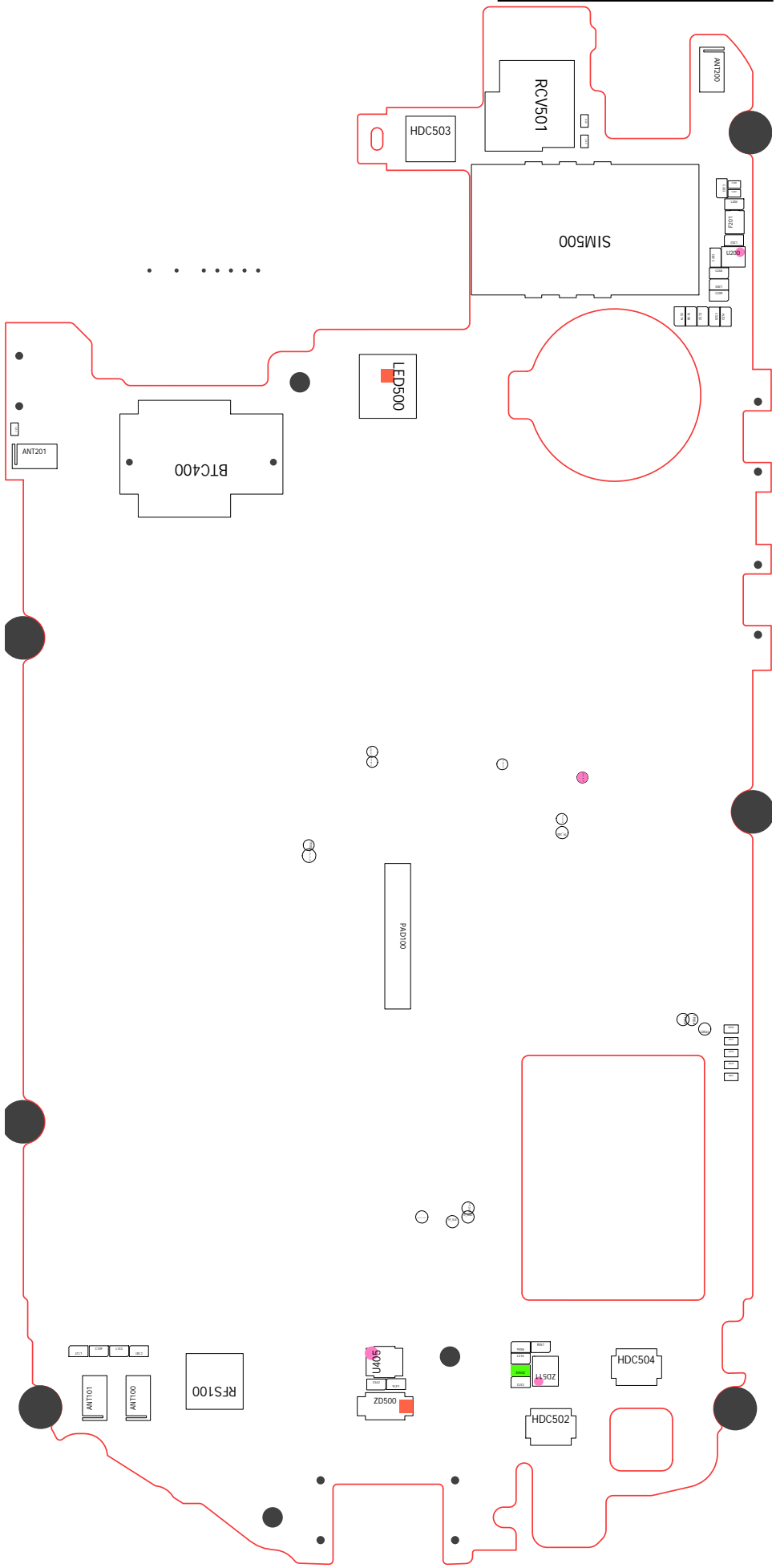
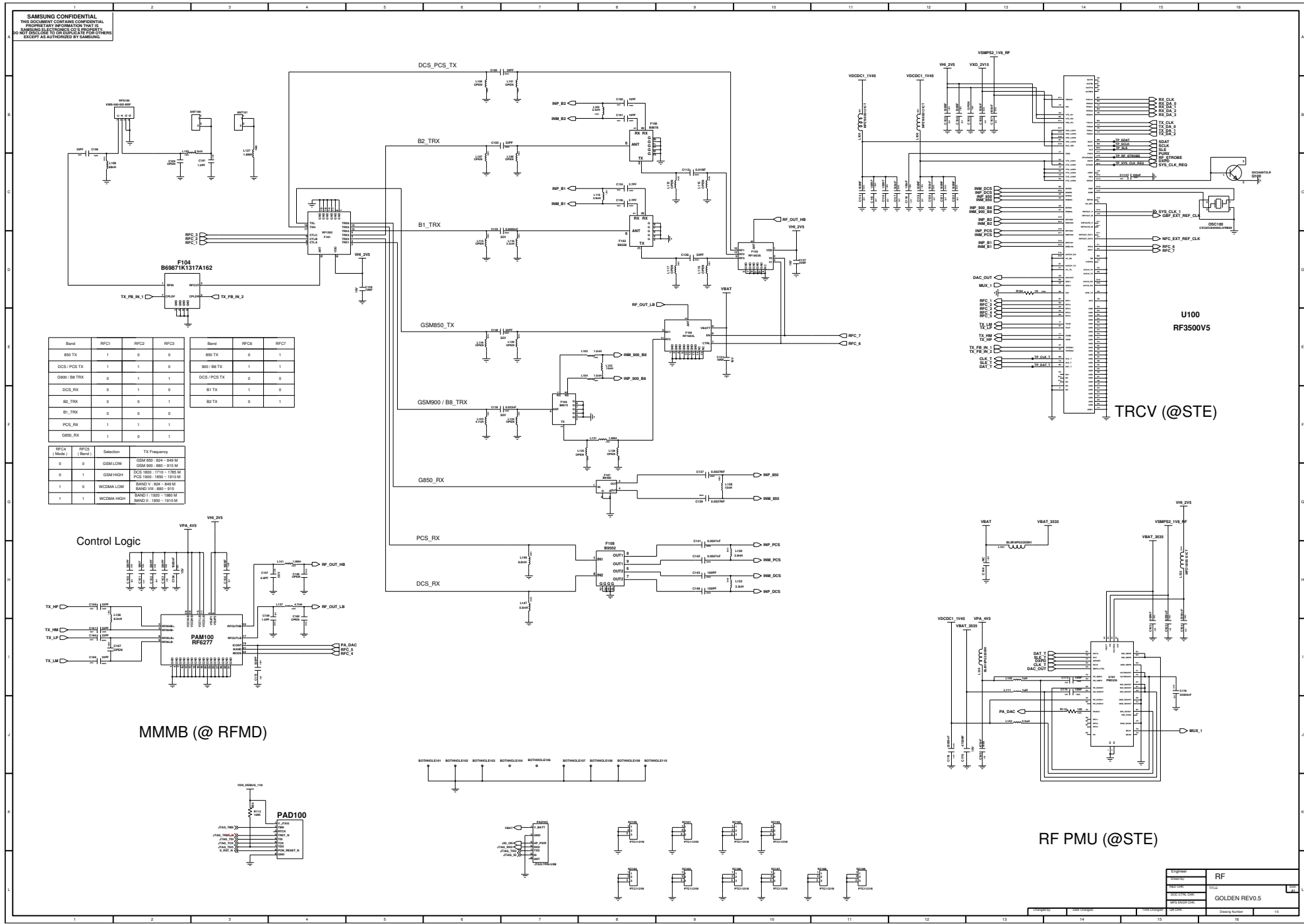


Model :
Revision :
Manufacture Count :
Charge :
Contact :
Date :
Routing :
Resin ↵



SAMSUNG CONFIDENTIAL
 THIS DOCUMENT CONTAINS CONFIDENTIAL
 PROPRIETARY INFORMATION THAT IS
 SAMSUNG'S TRADE SECRET OR PROPRIETARY
 TECHNOLOGY. IT IS TO BE KEPT
 SECRET AND NOT DISCLOSED TO ANY OTHER
 PERSONS WITHOUT THE EXPRESS WRITTEN
 PERMISSION OF SAMSUNG.



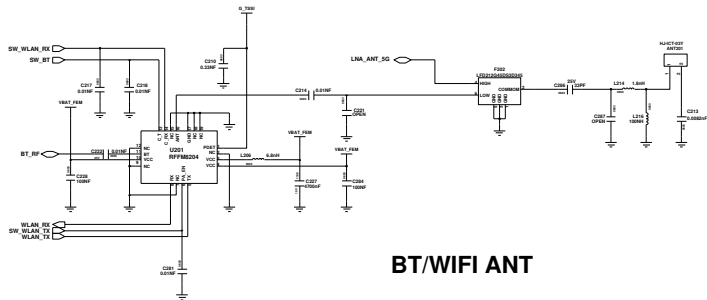
Band	RFFC1	RFFC2	RFFC3	Band	RFFC5	RFFC7
850 TX	1	0	0	850 TX	0	1
DCS / PCS TX	1	1	0	900 / B8 TX	1	1
GSM00 / B8 TRX	0	1	1	DCS / PCS TX	0	0
DCS_RX	0	1	0	B1 TX	1	0
B2_TRX	0	0	1	B2 TX	0	1
B1_TRX	0	0	0			
PCS_RX	1	1	1			
GS85_RX	1	0	1			

RFFC (Mode)	RFFC (Band)	Selection	TX Frequency
0	0	GSM LOW	GSM 850: 824 ~ 940 M GSM 900: 880 ~ 915 M
0	1	GSM HIGH	DCS 1800: 1710 ~ 1785 M PCS 1900: 1850 ~ 1910 M
1	0	WCDMA LOW	SCD17: 824 ~ 940 M BAND VII: 880 ~ 915
1	1	WCDMA HIGH	BAND I: 1850 ~ 1980 M BAND II: 1850 ~ 1910 M

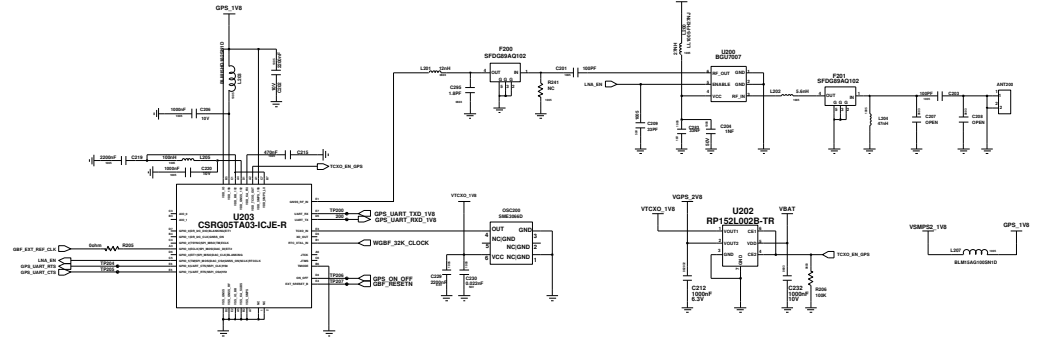
MMMB (@ RFMD)

RF PMU (@STE)

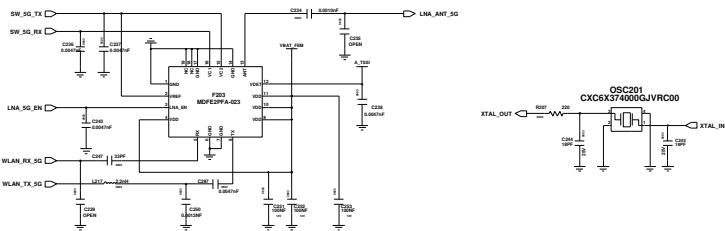
Engineer	RF
Designer	
Layout	
Doc Ctrl	GOLDEN REV.0.5
Rev. No.	
Rev. Date	
Checked	
Checked Number	



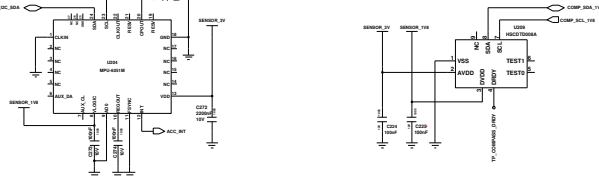
BT/WIFI ANT



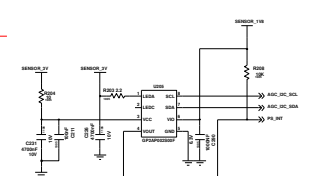
GPS (@CSR)



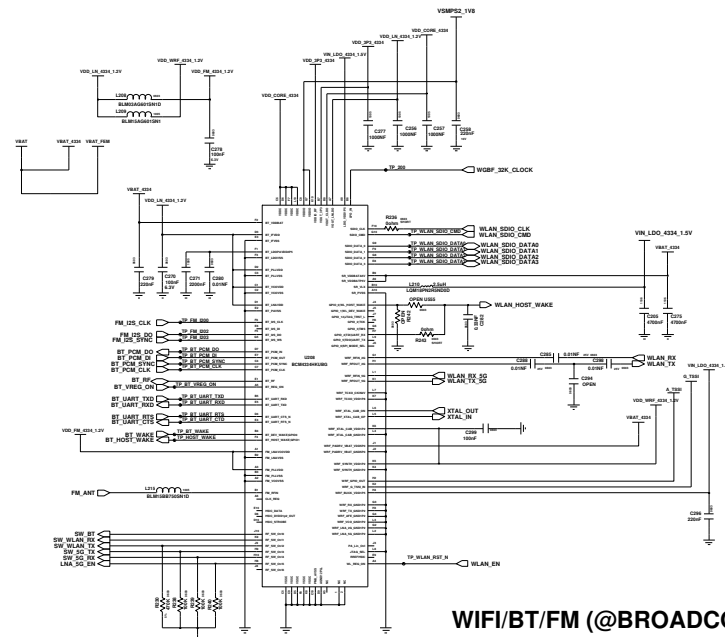
**ACCEL + GYRO
 (@INVESENSE)**



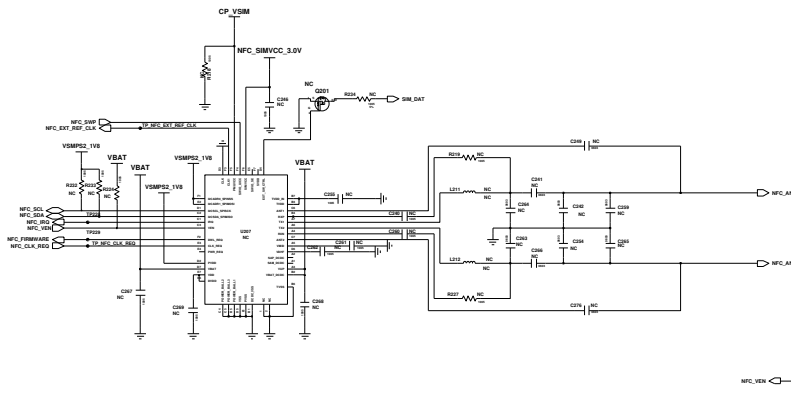
**COMPASS
 (@ALPS)**



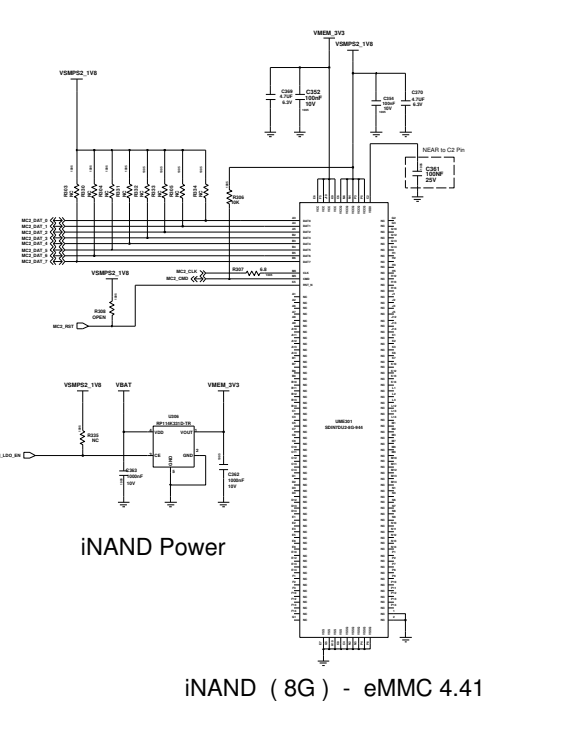
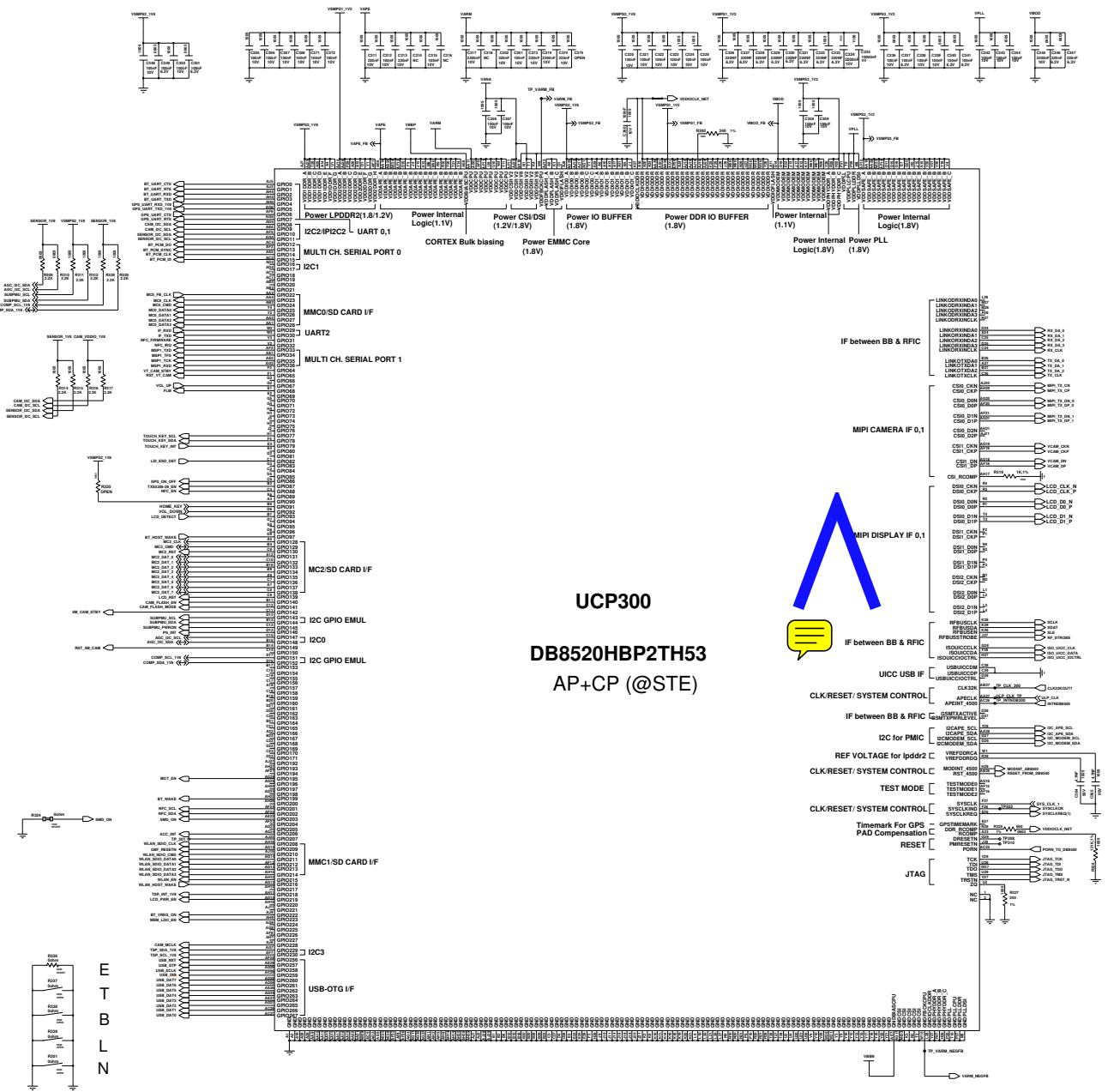
PROXI (@Lite on, Sharp)



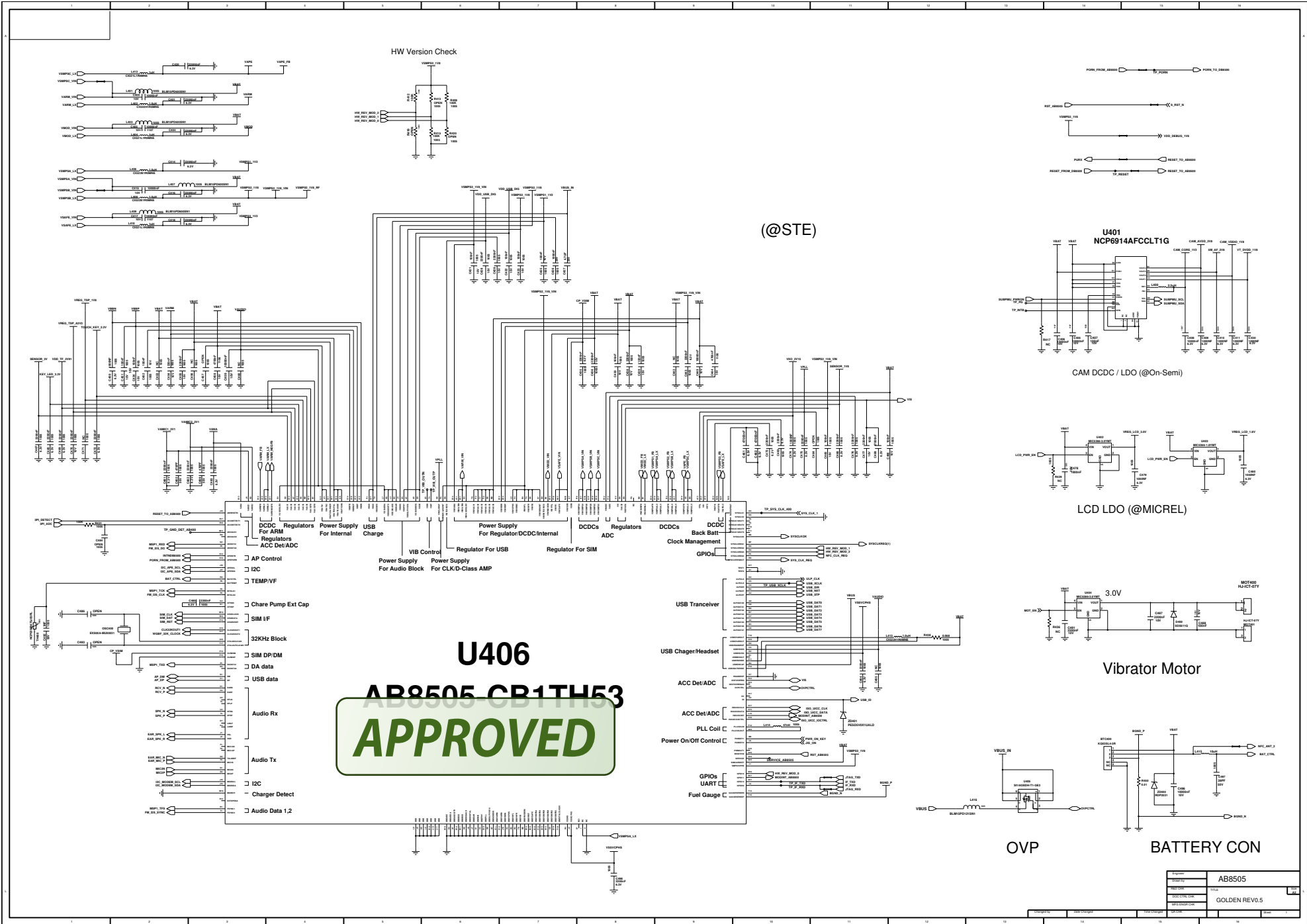
WIFI/BT/FM (@BROADCOM)



NFC (@NXP)



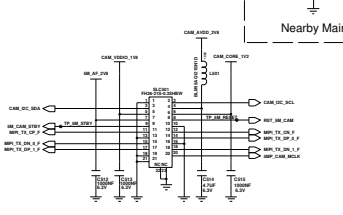
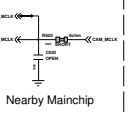
Part No.	DB8520H
Rev. No.	1.0
Doc. No.	GOLDEN REV.0.5
Doc. Date	
Doc. Ver.	
Doc. Desc.	
Doc. Cont.	
Doc. Appr.	
Doc. Rev.	



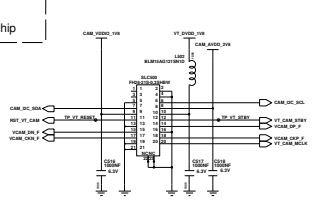
U406
AB8505 CB1TH53
APPROVED

DESIGN	AB8505
DATE	
DESIGNER	
DATE	
REVISION	GOLDEN REV.0.5

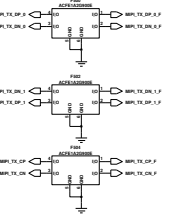
SAMSUNG CONFIDENTIAL
 THIS DOCUMENT CONTAINS UNCLASSIFIED INFORMATION THAT IS UNCLASSIFIED EXCEPT WHERE SHOWN OTHERWISE. IT IS THE PROPERTY OF SAMSUNG ELECTRONICS CO., LTD. AND IS NOT TO BE REPRODUCED OR TRANSMITTED IN ANY FORM OR BY ANY MEANS, ELECTRONIC OR MECHANICAL, WITHOUT PERMISSION IN WRITING FROM SAMSUNG ELECTRONICS CO., LTD.



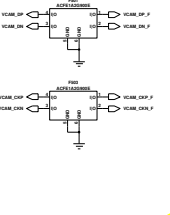
5MP AF Main Camera



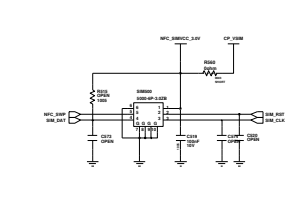
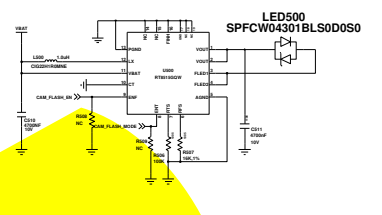
VGA Front Camera



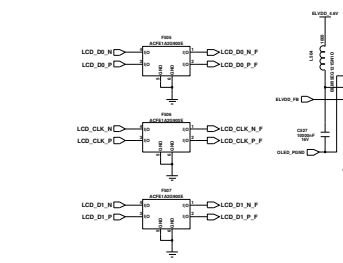
CAM Filter



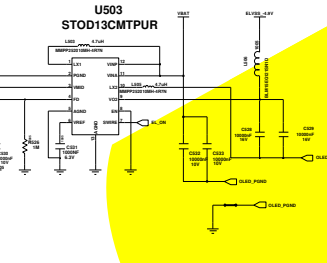
FLASH LED Driver IC (@RICHTEK)



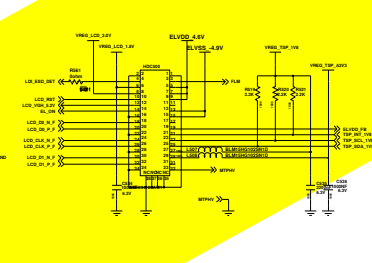
SIM CONNECTOR



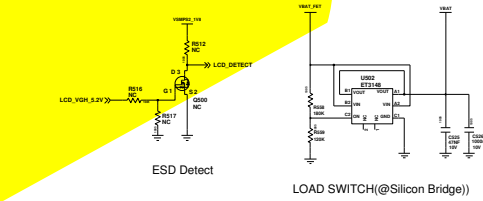
LCD EMI filter



LCD Backlight IC

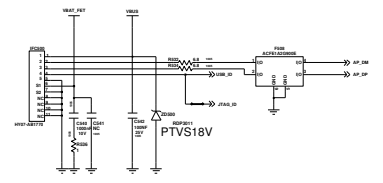


LCD BTOB-CONN.
(4.0" OCTA)

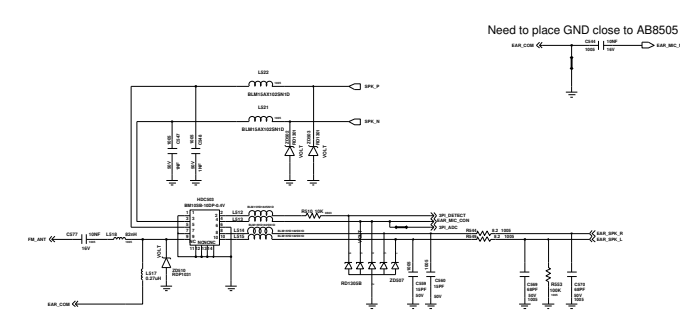


ESD Detect

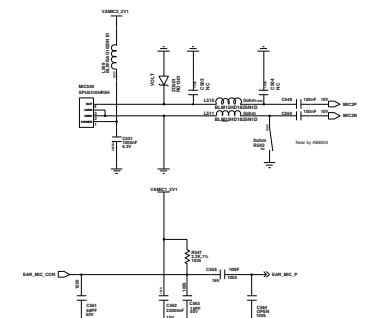
LOAD SWITCH(@Silicon Bridge)



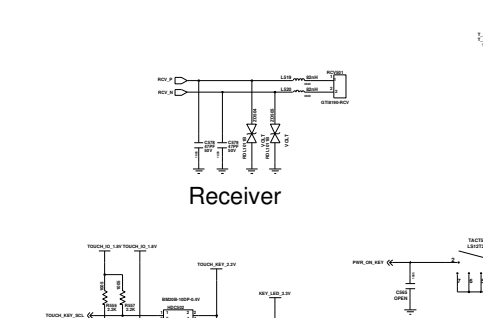
IF Connector(u-USB)



SPK & 3.5pi EarJack Connector

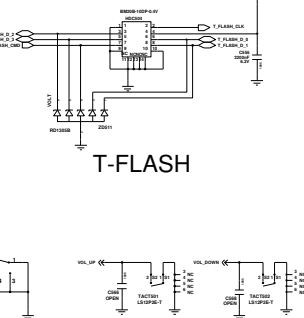


MAIN MIC & EAR MIC



Receiver

Home KEY & KEY LED Conn



T-FLASH

POWER & VOLUME KEY

DATE	CAM, LCD, IF, KEY	REV
DESCRIPTION		
DOC TITLE CODE	GOLDEN REV0.5	14 1/14
DESIGNED BY		
CHECKED BY		
DATE		