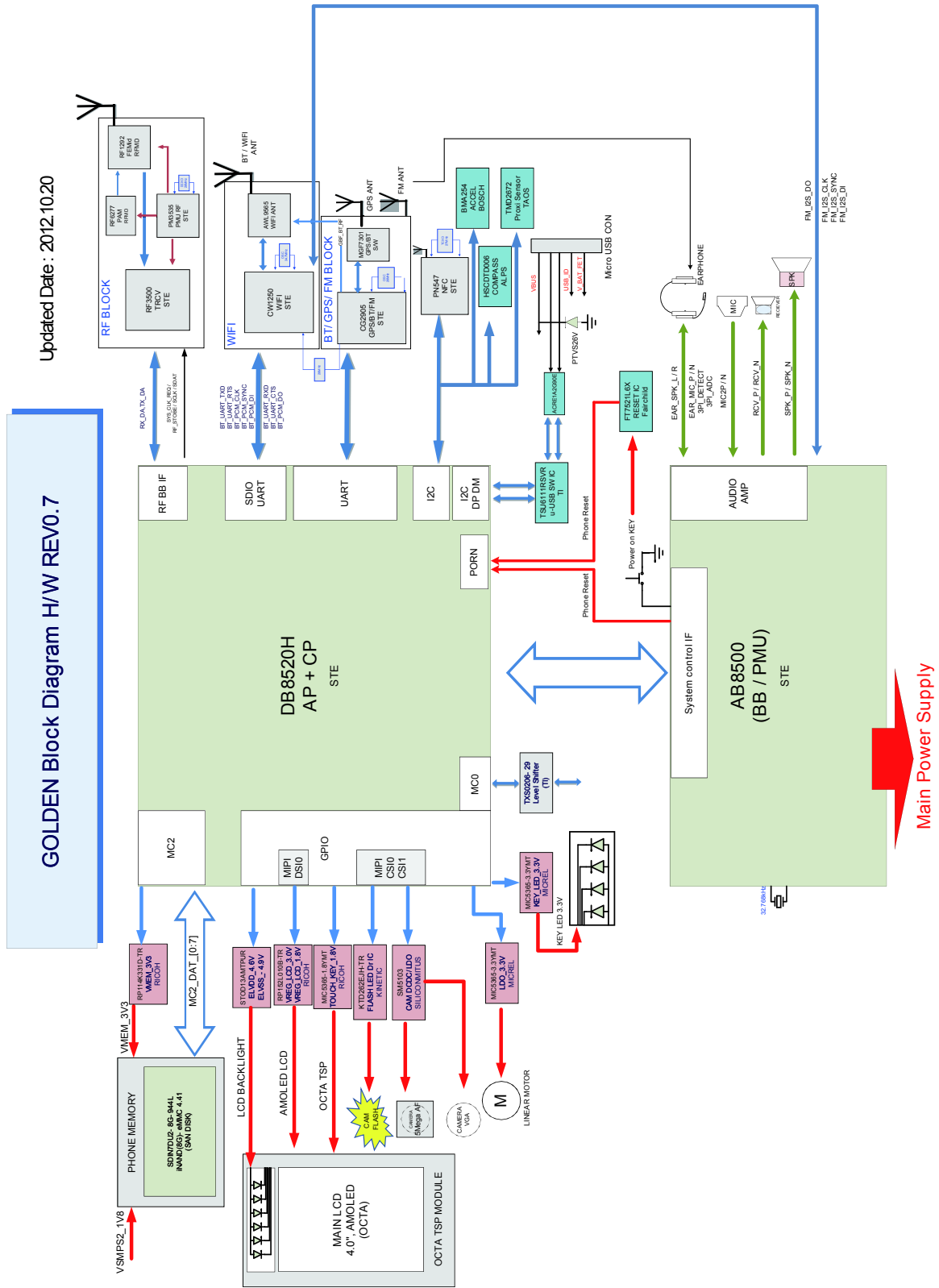


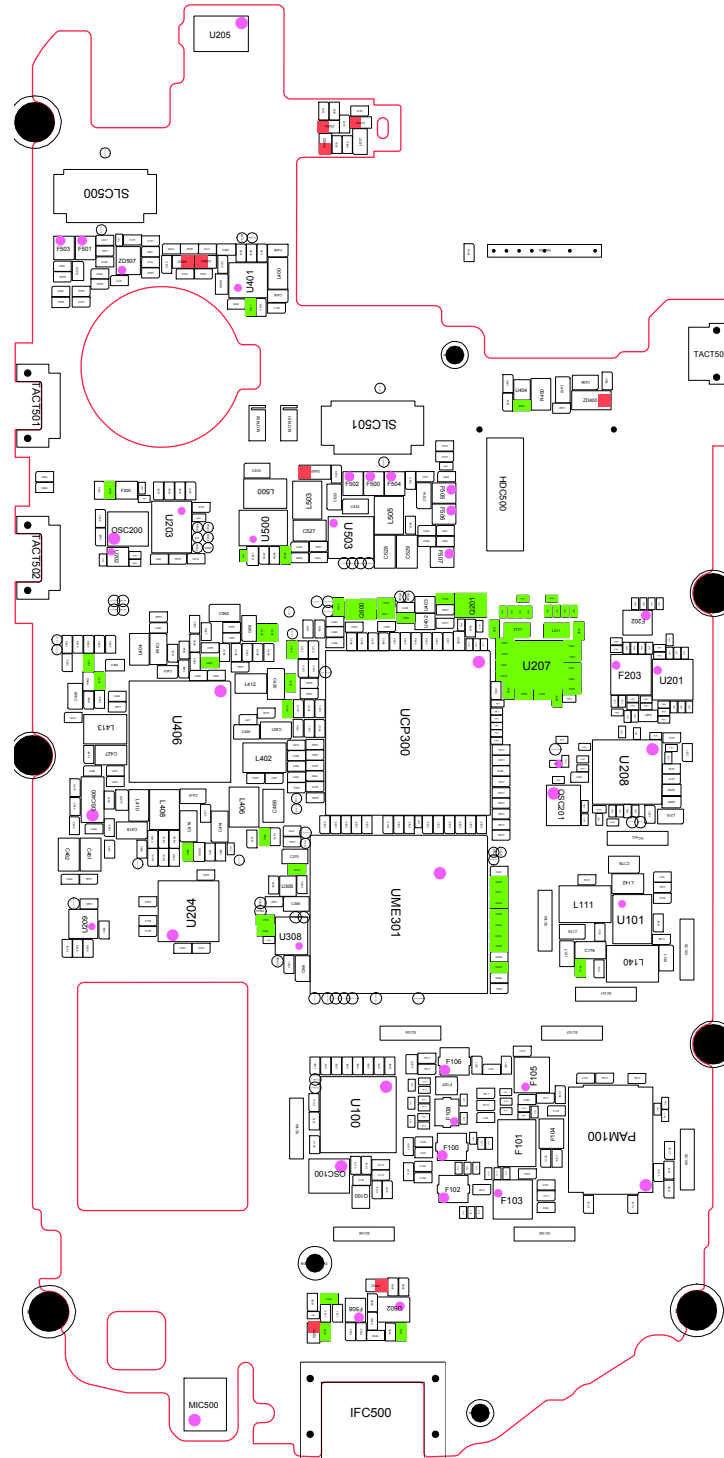
8. Level 3 Repair

8-1. Block Diagram

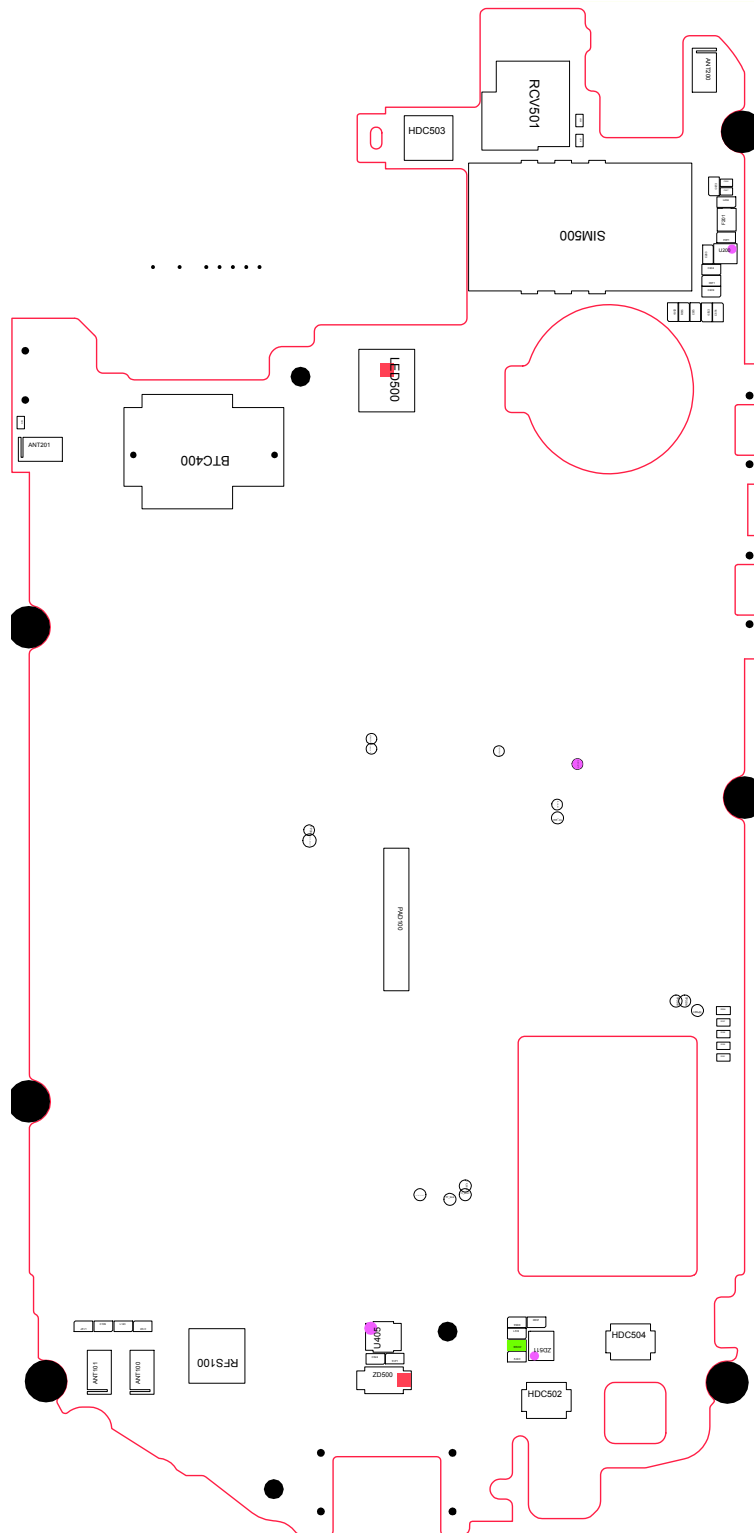


8-2. PCB Diagrams

8-2-1. Top

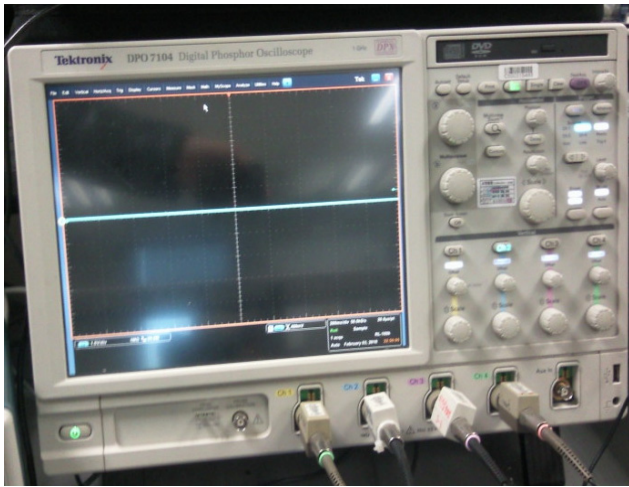


8-2-2. Bottom



8-3. Flow Chart of Troubleshooting

Equipments



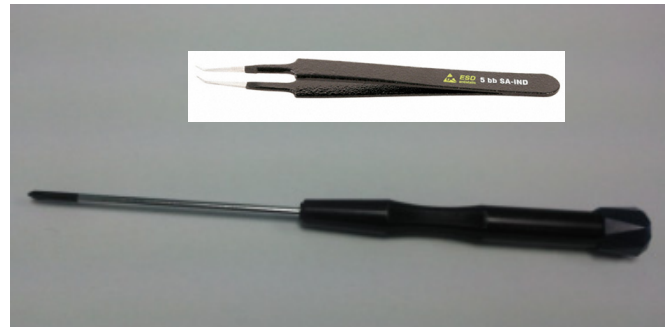
↑ Oscilloscope



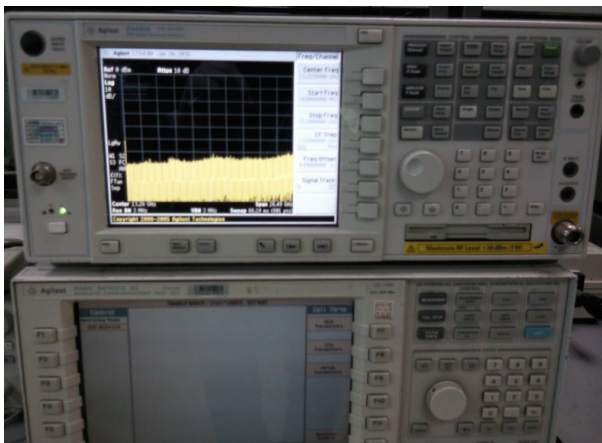
↑ Digital Multi-meter



↑ Power Supply



↑ + driver, ESD Safe Tweezer

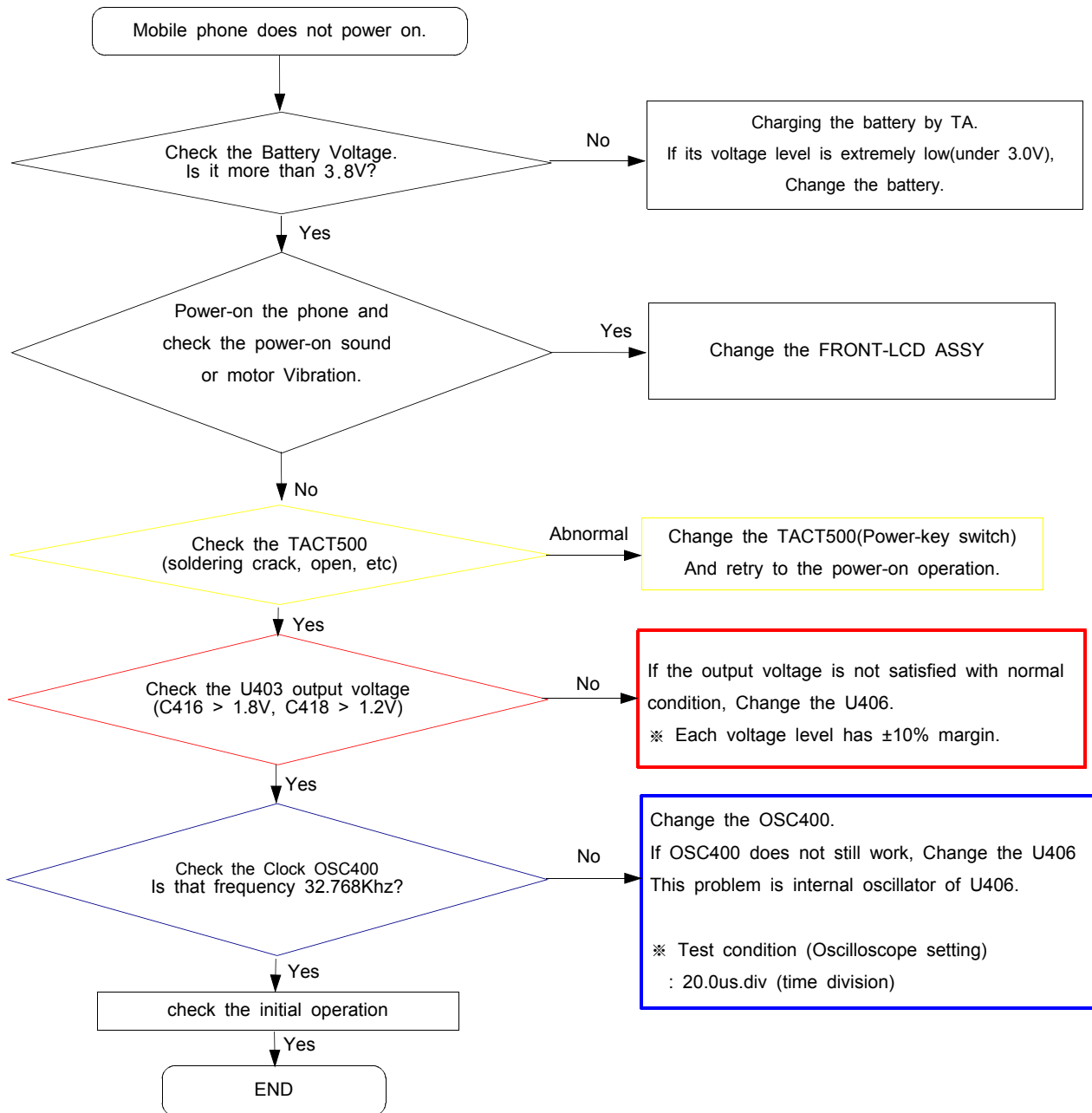


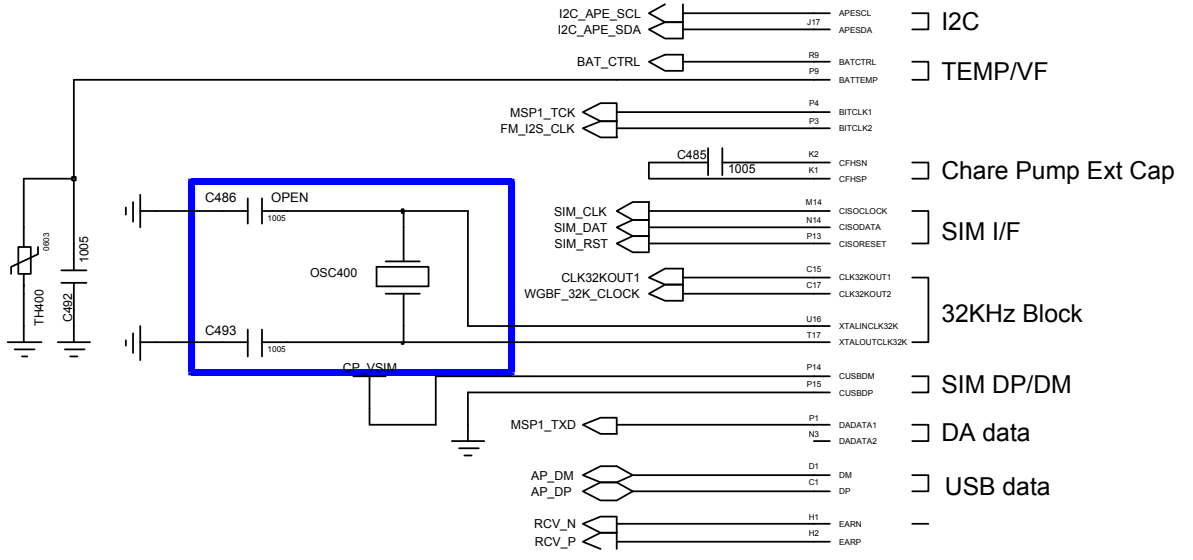
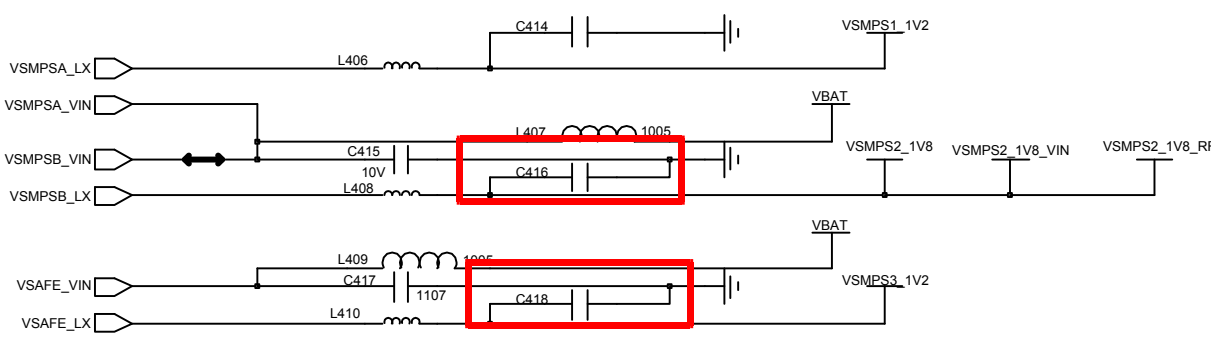
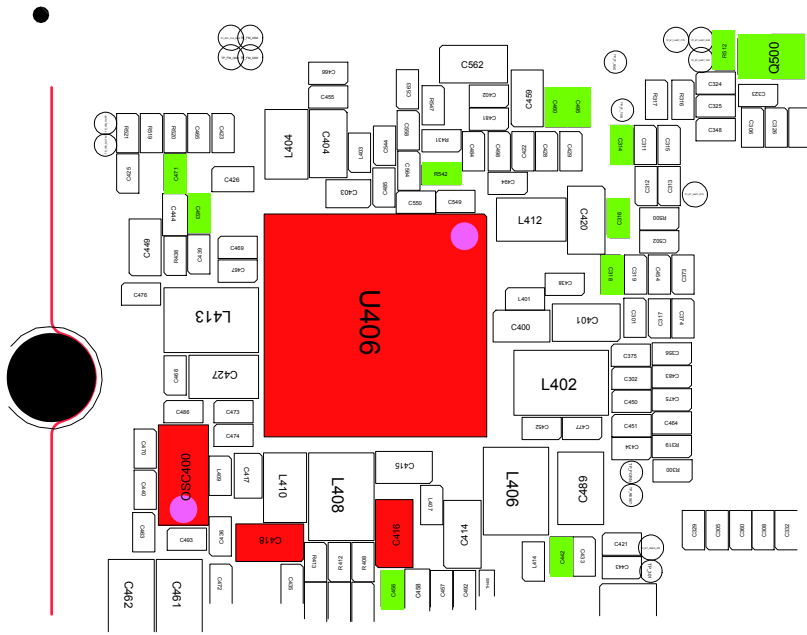
↑ 8960 & Spectrum Analyzer



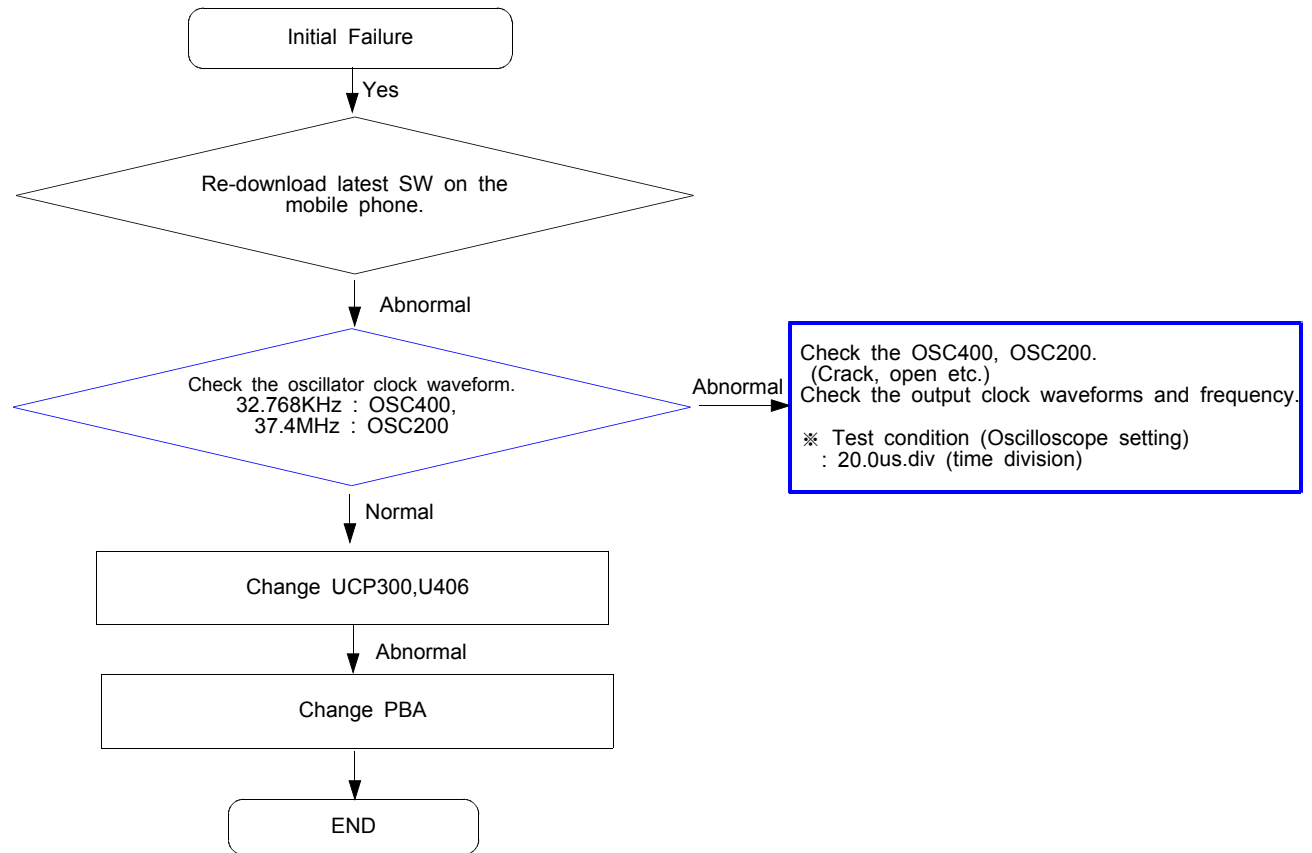
↑ Soldering iron

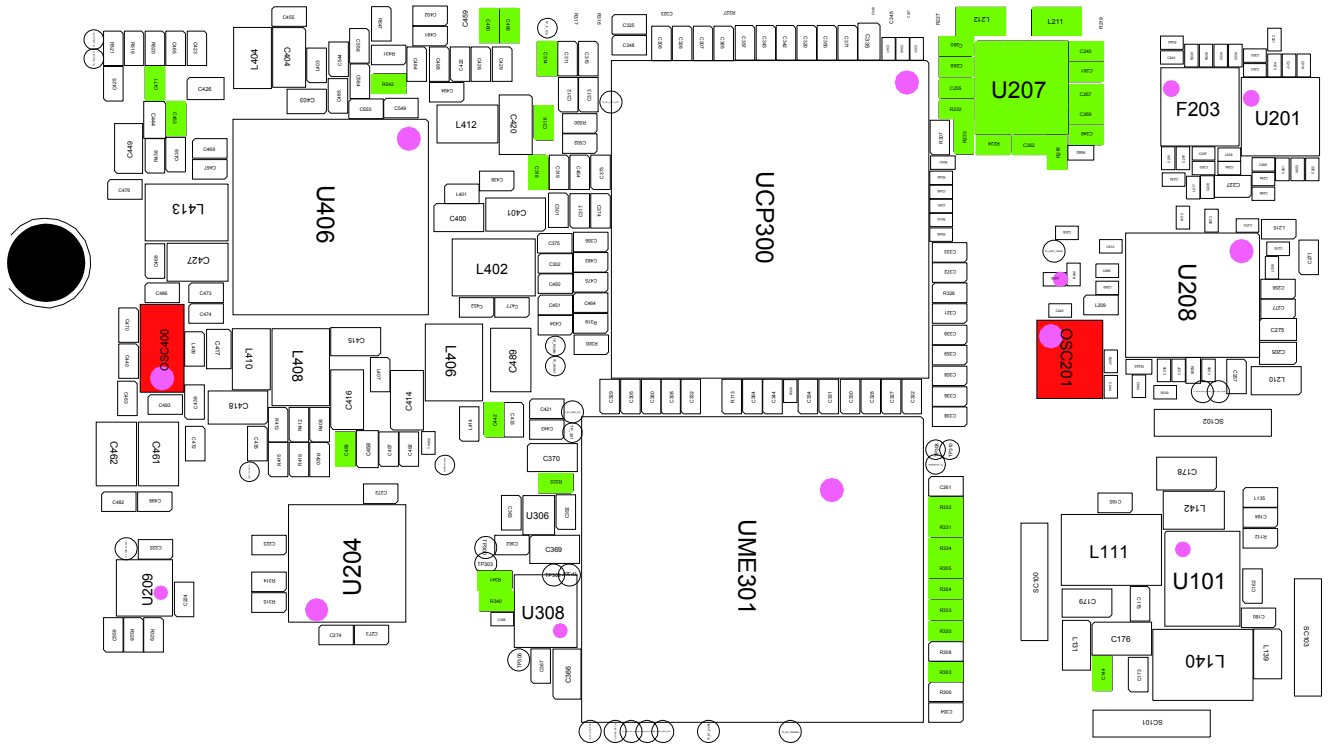
8-3-1. Power On



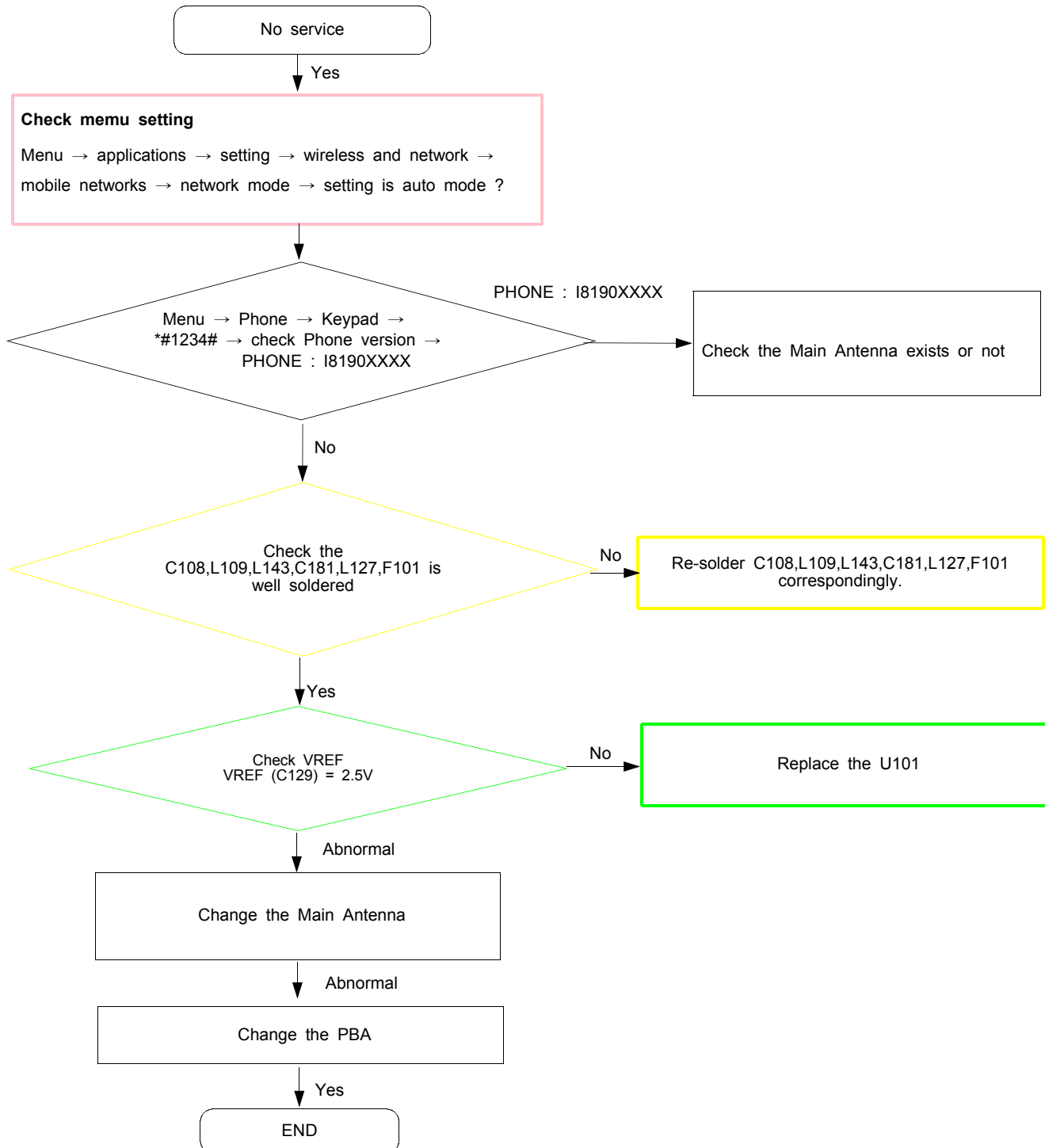


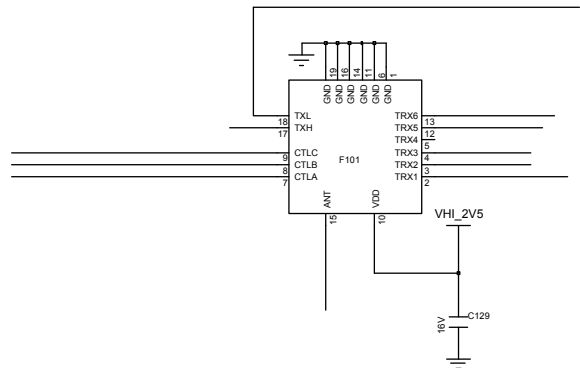
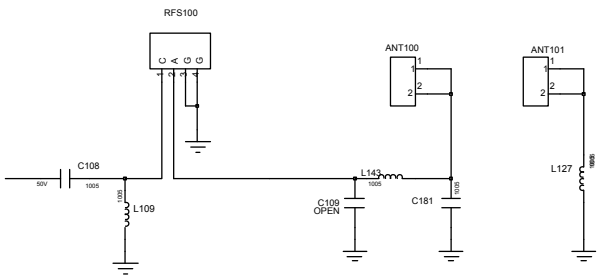
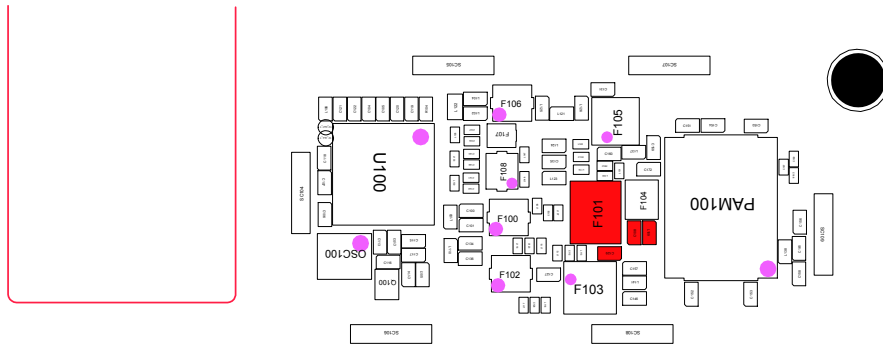
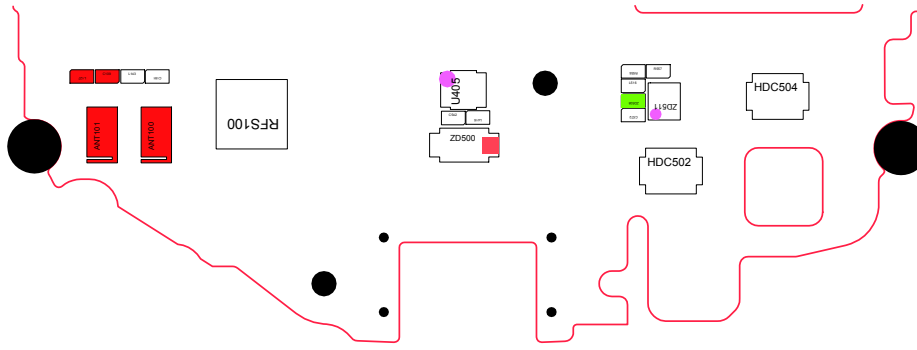
8-3-2. Initial



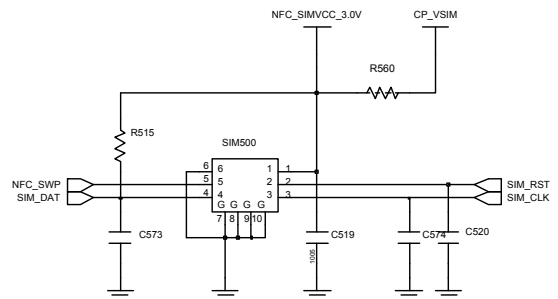
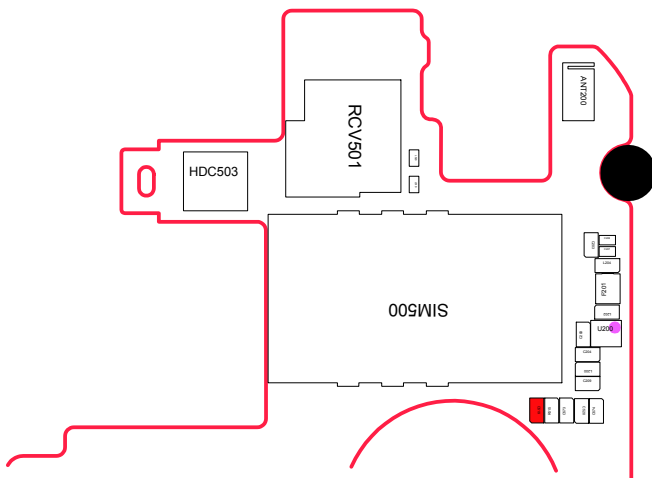
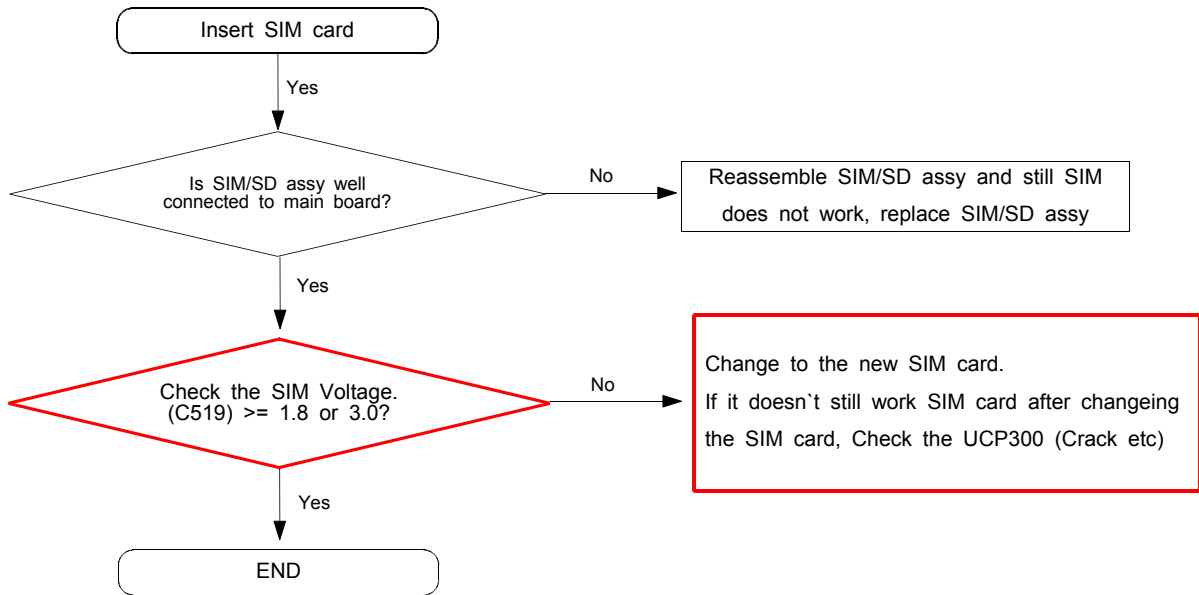


8-3-3. No Service

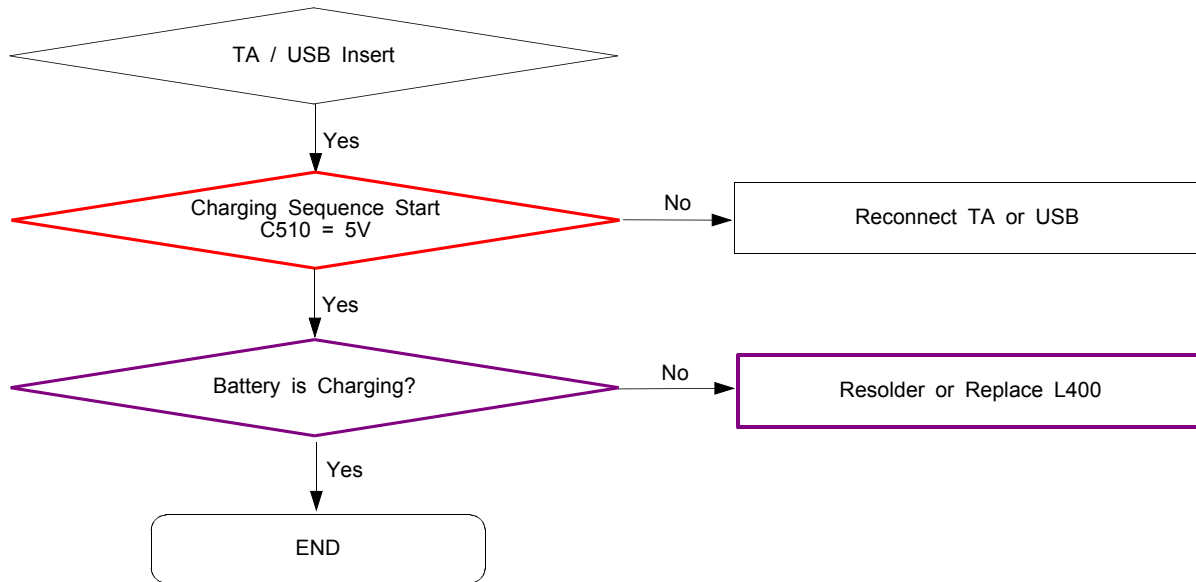




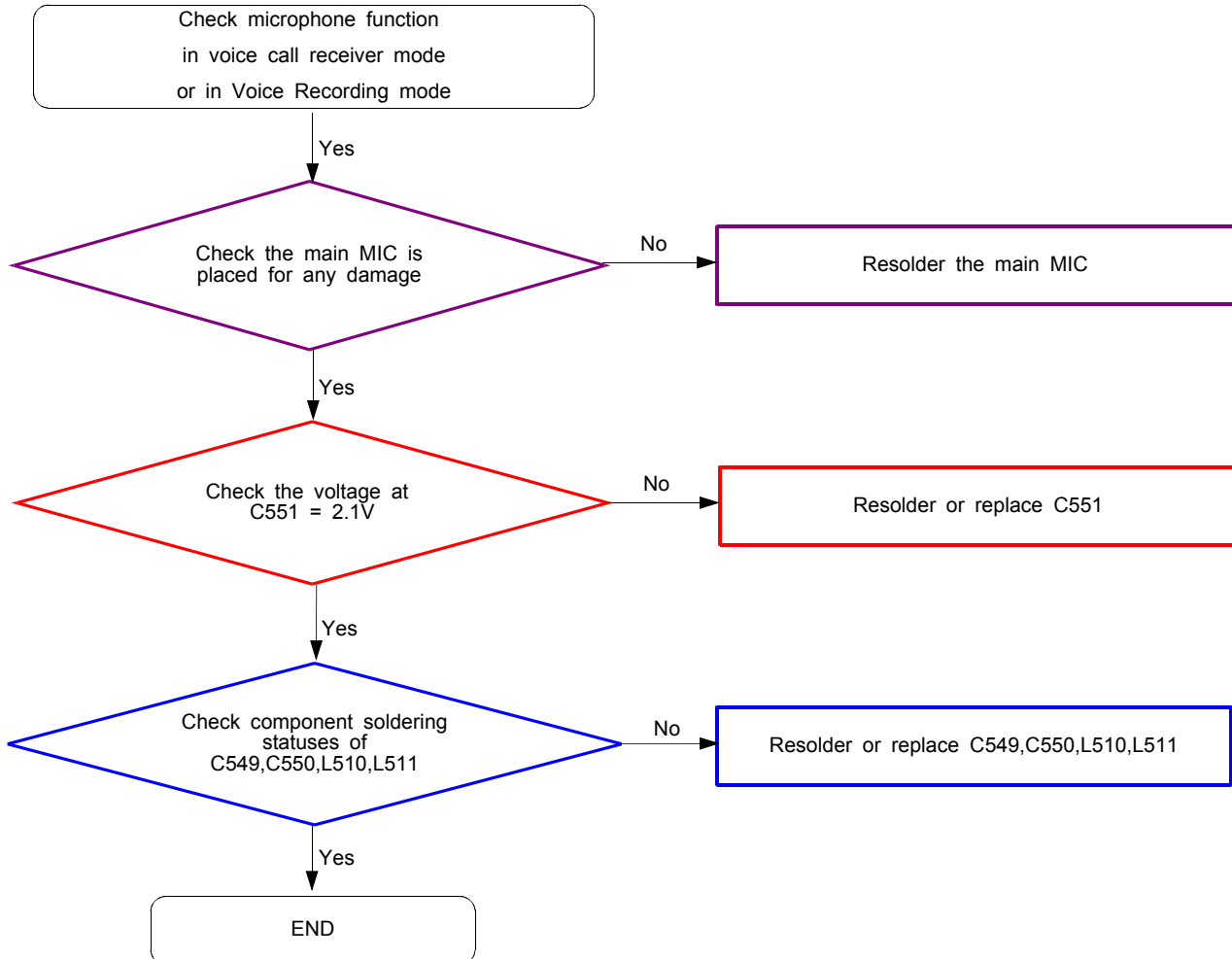
8-3-4. Sim Part

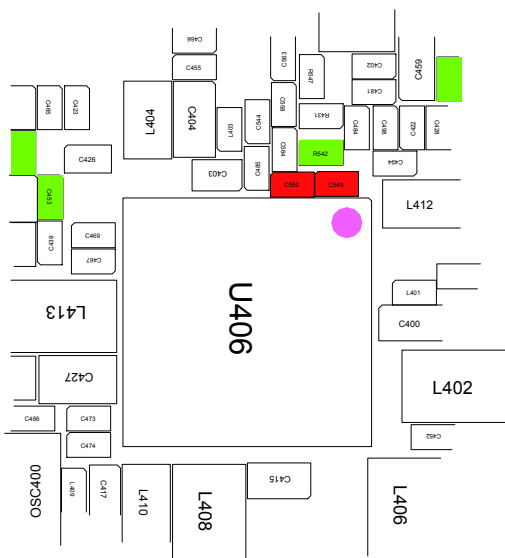
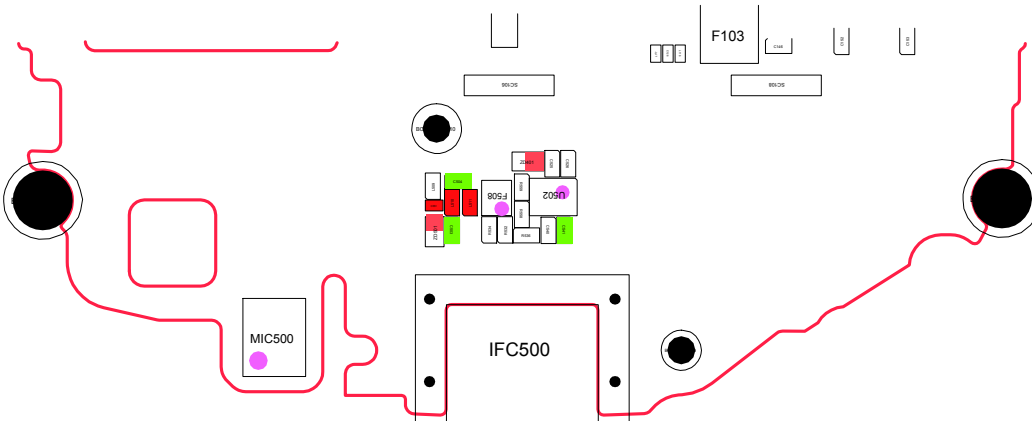
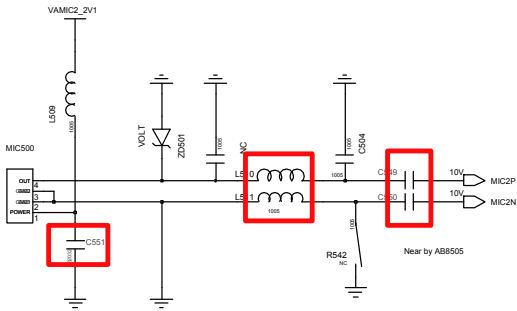


8-3-5. Charging Part

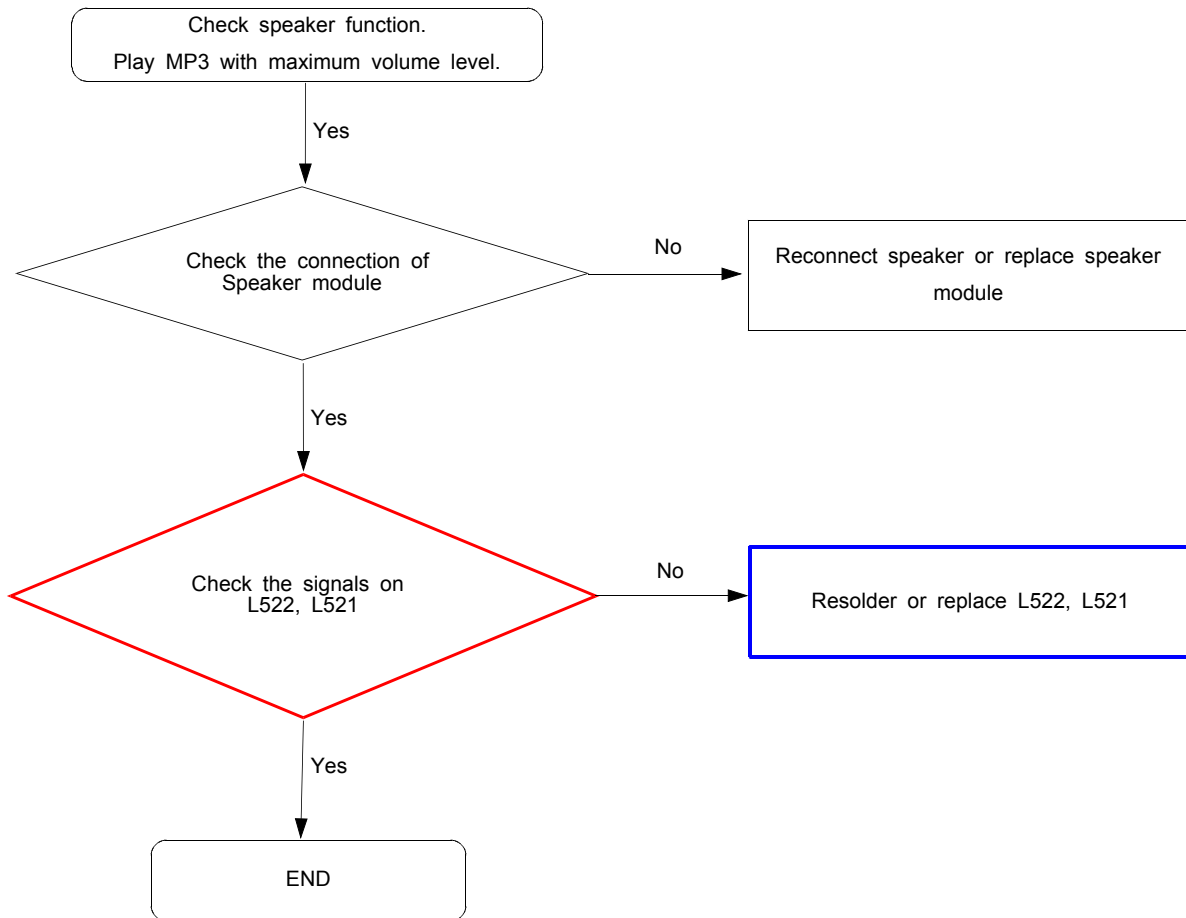


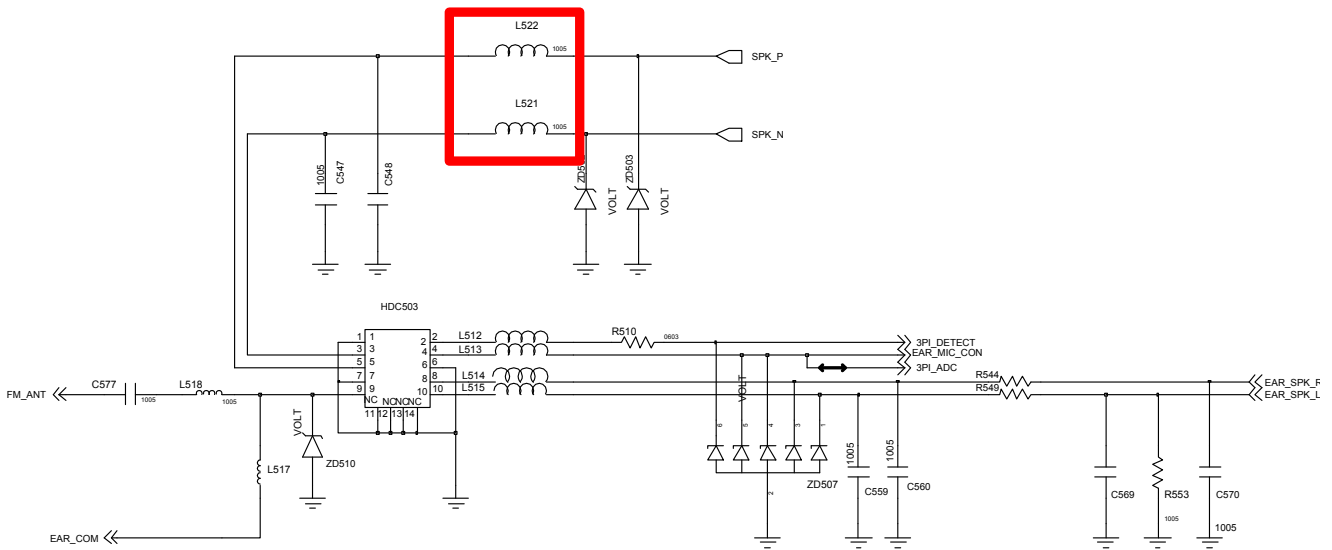
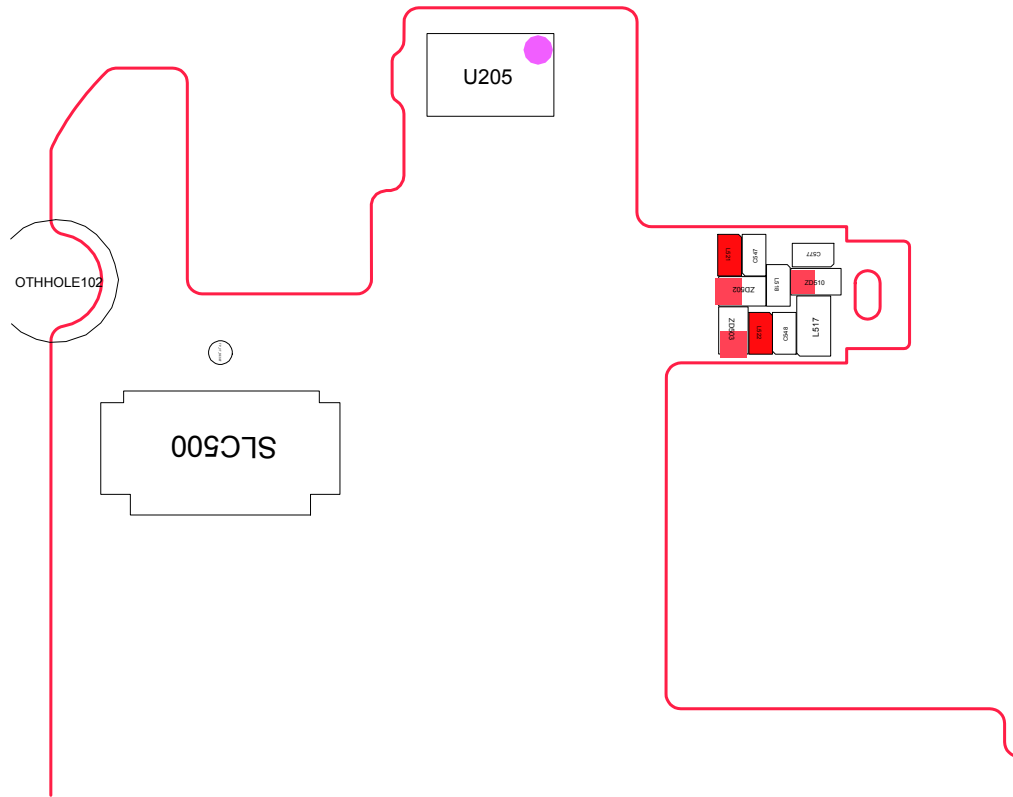
8-3-6. Microphone Part



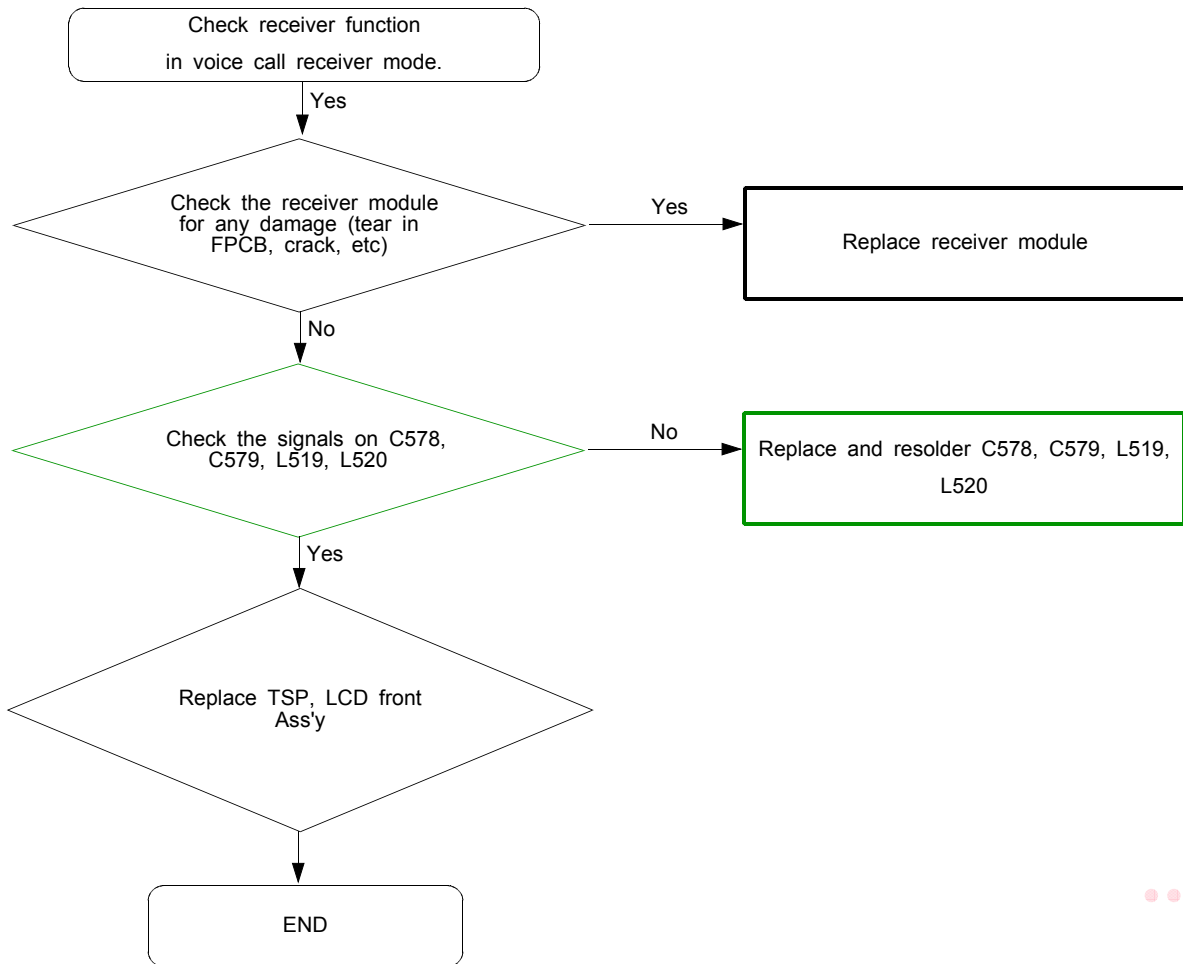


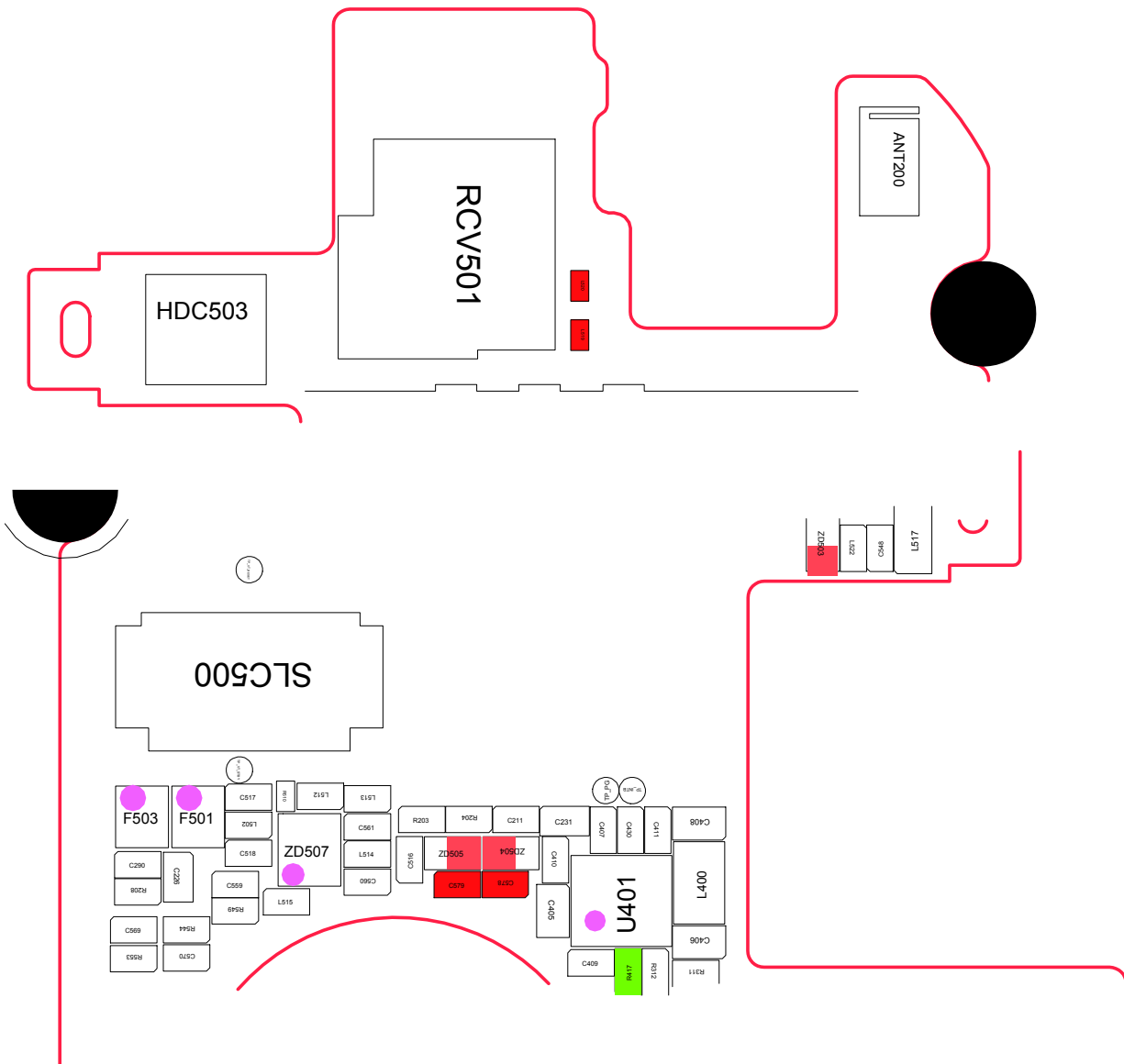
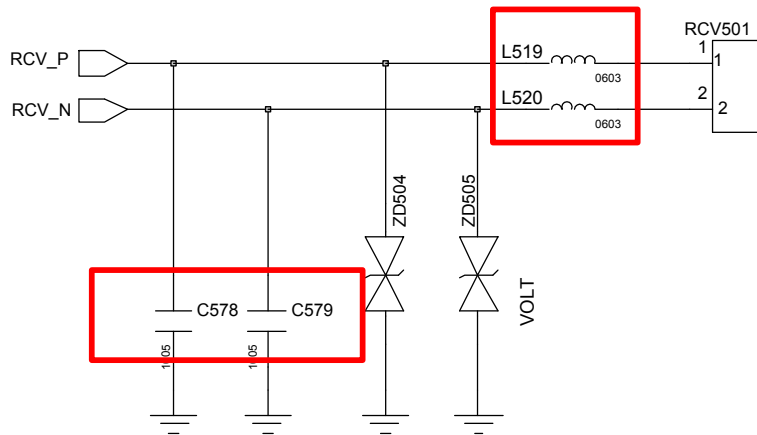
8-3-7. Speaker Part



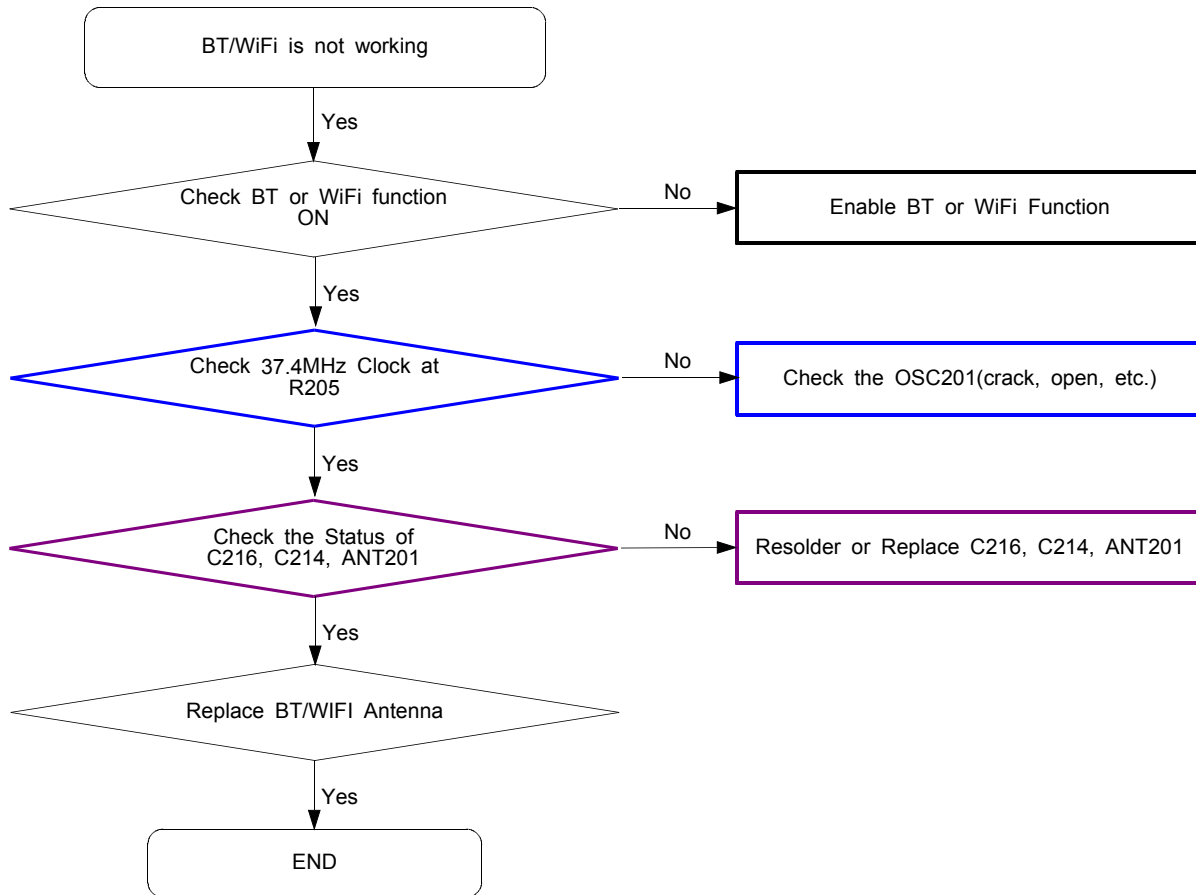


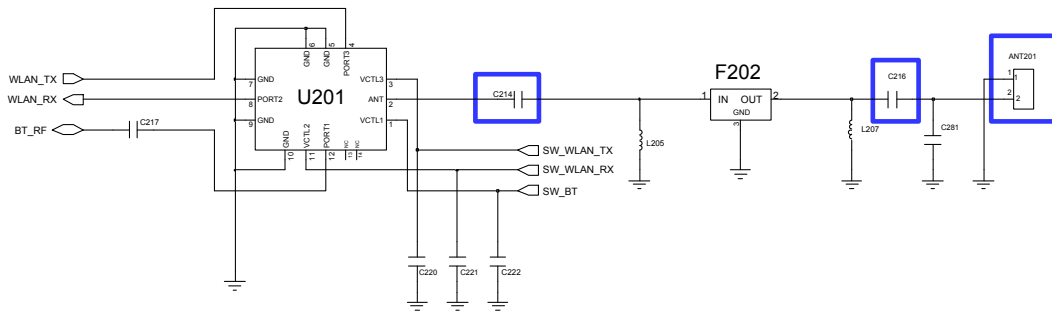
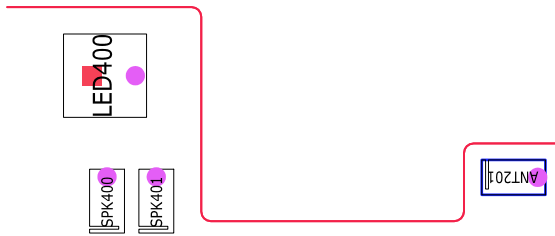
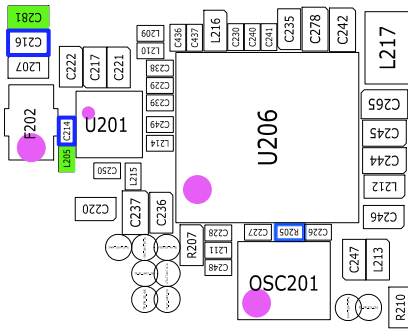
8-3-8 Receiver Part



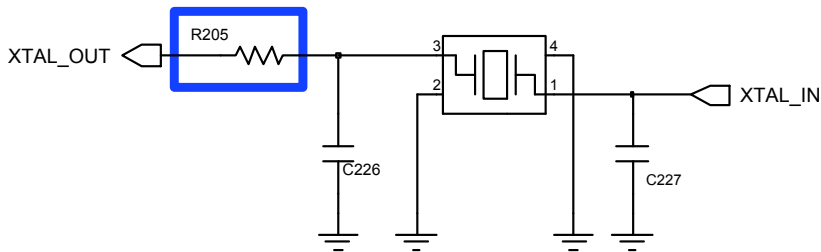


8-3-9. BT/WIFI

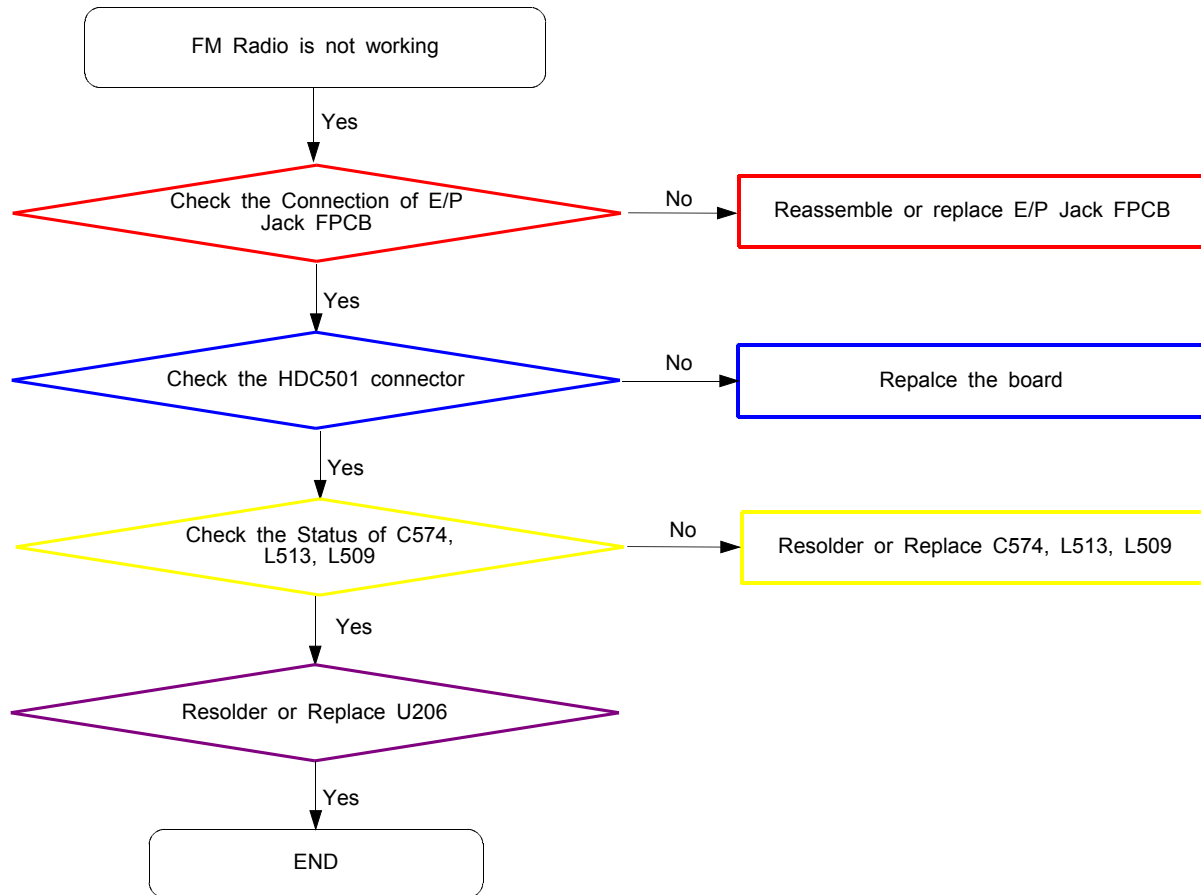


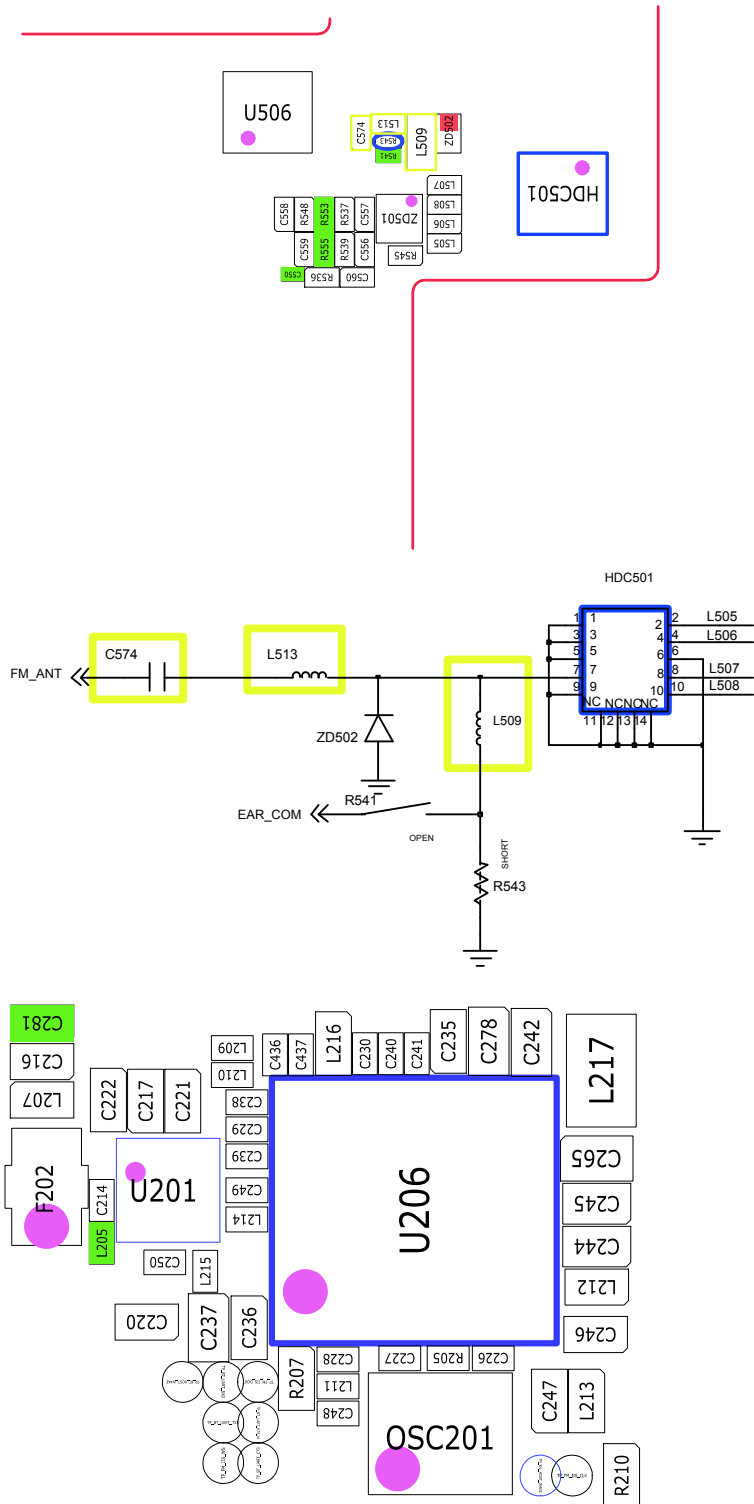


OSC201

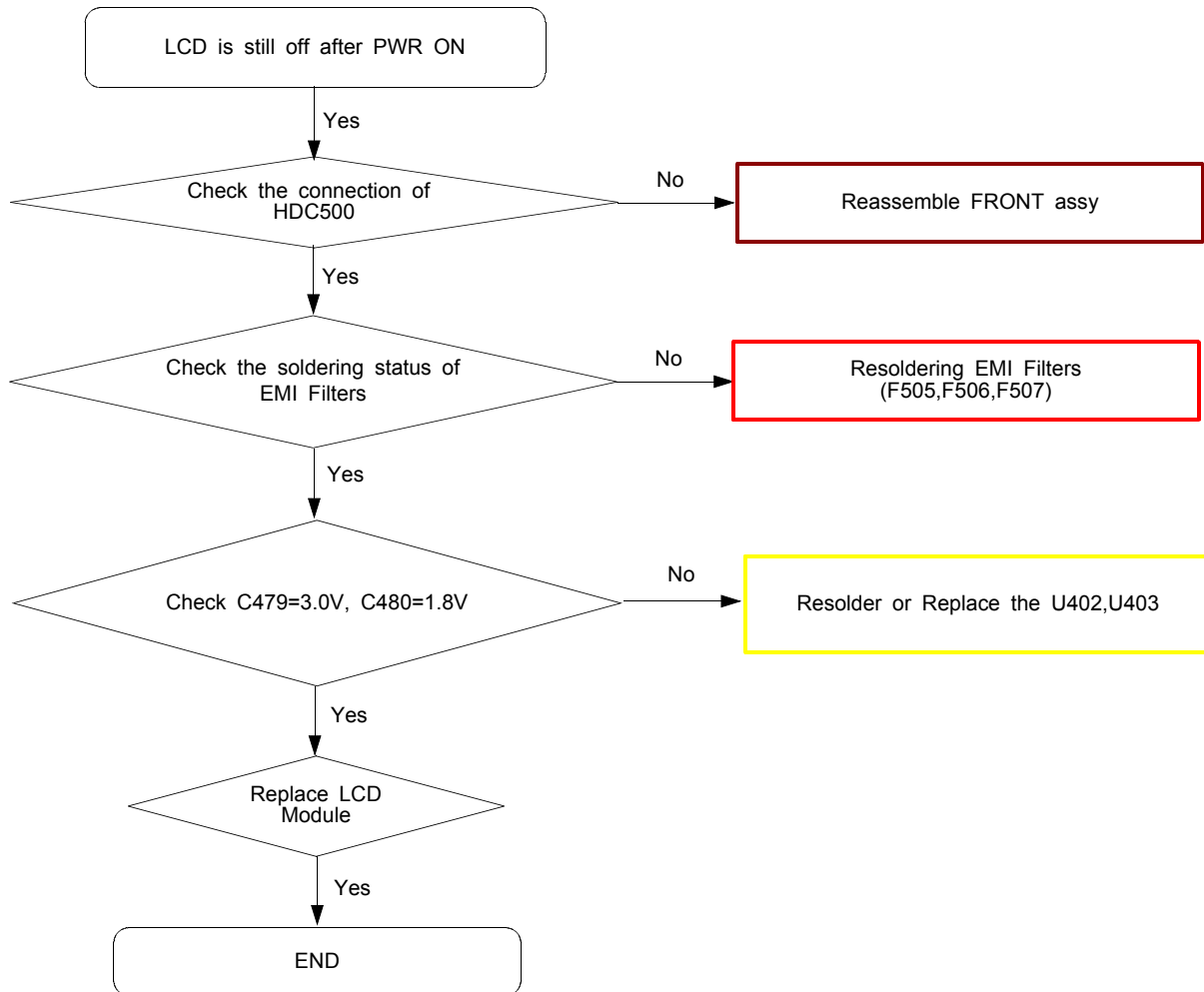


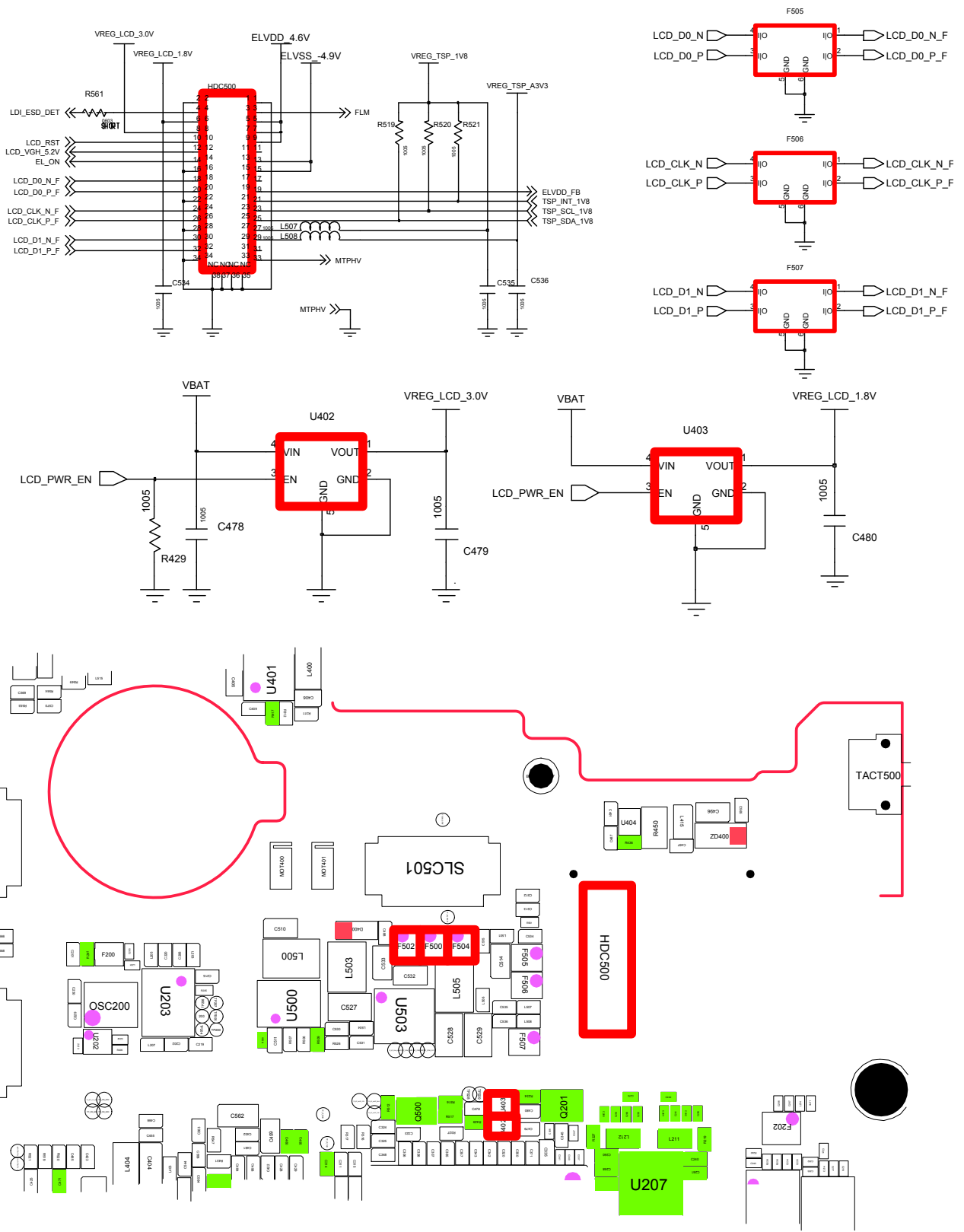
8-3-10. FM RADIO



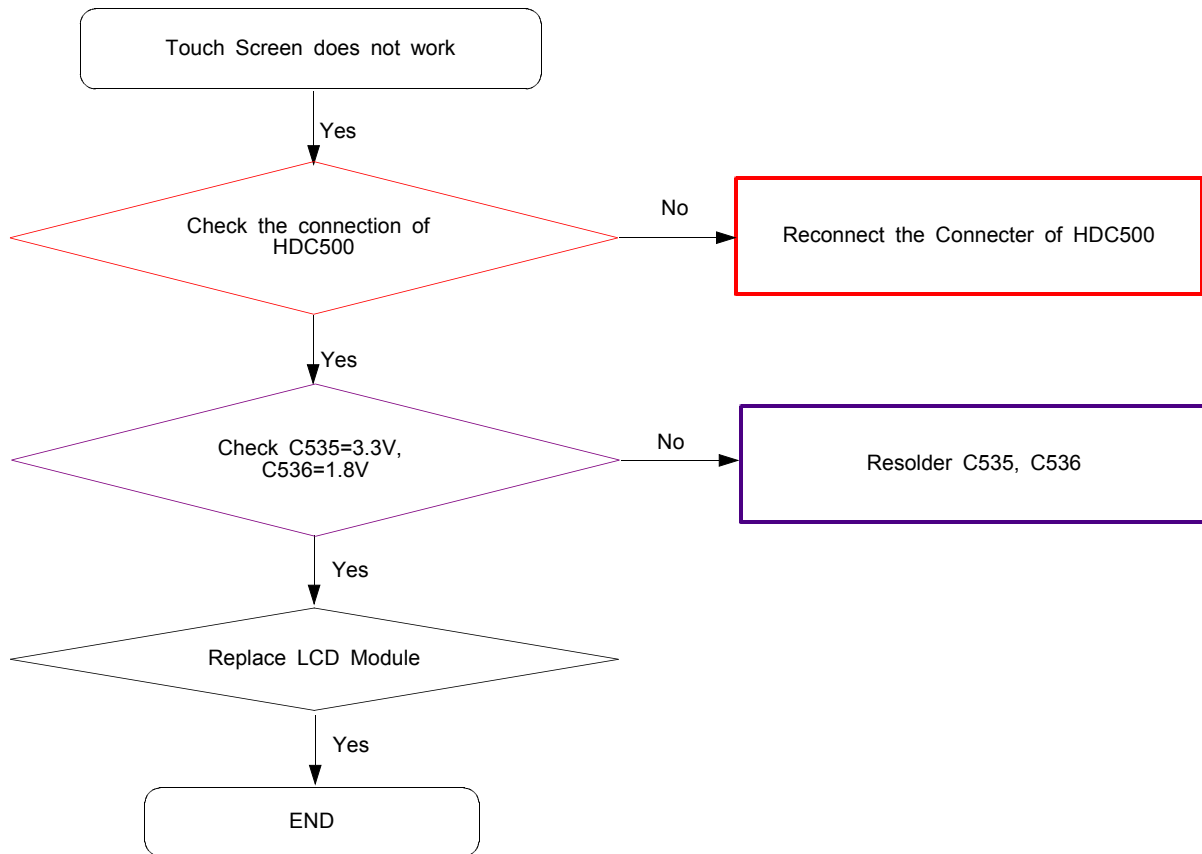


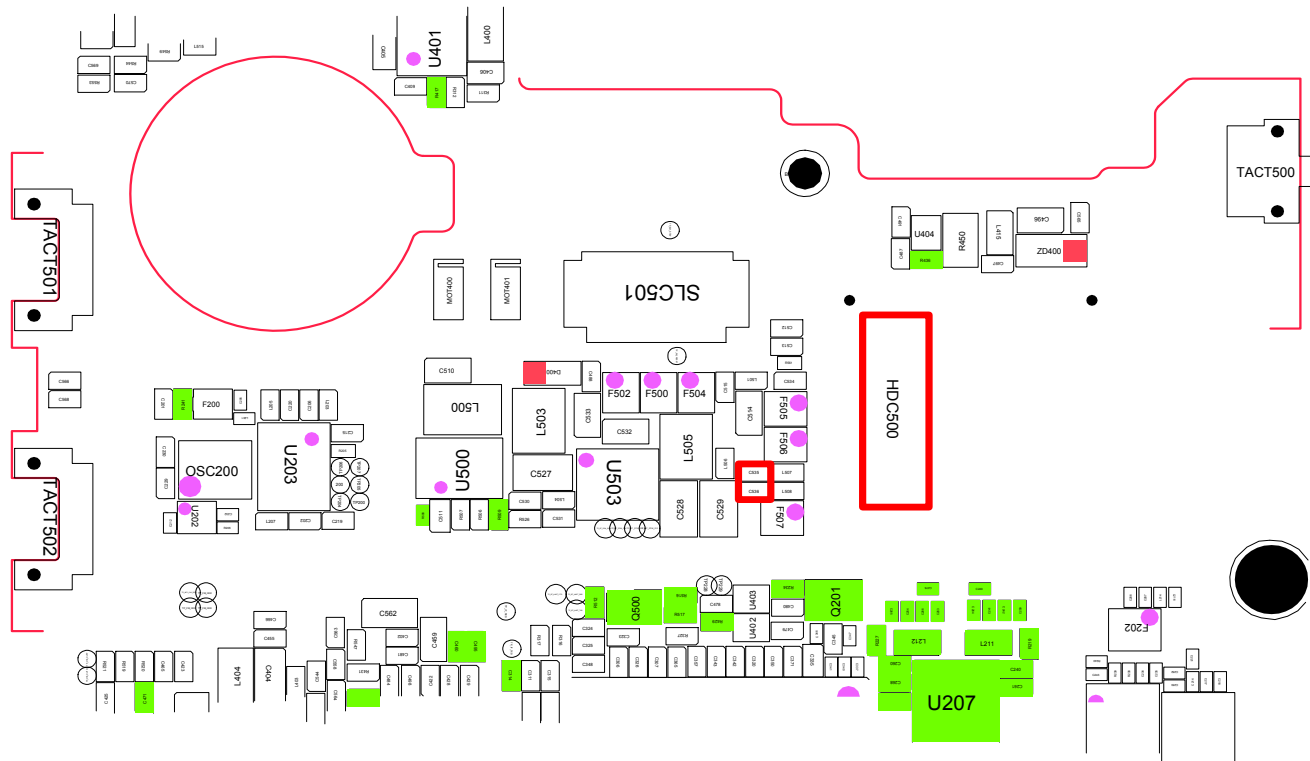
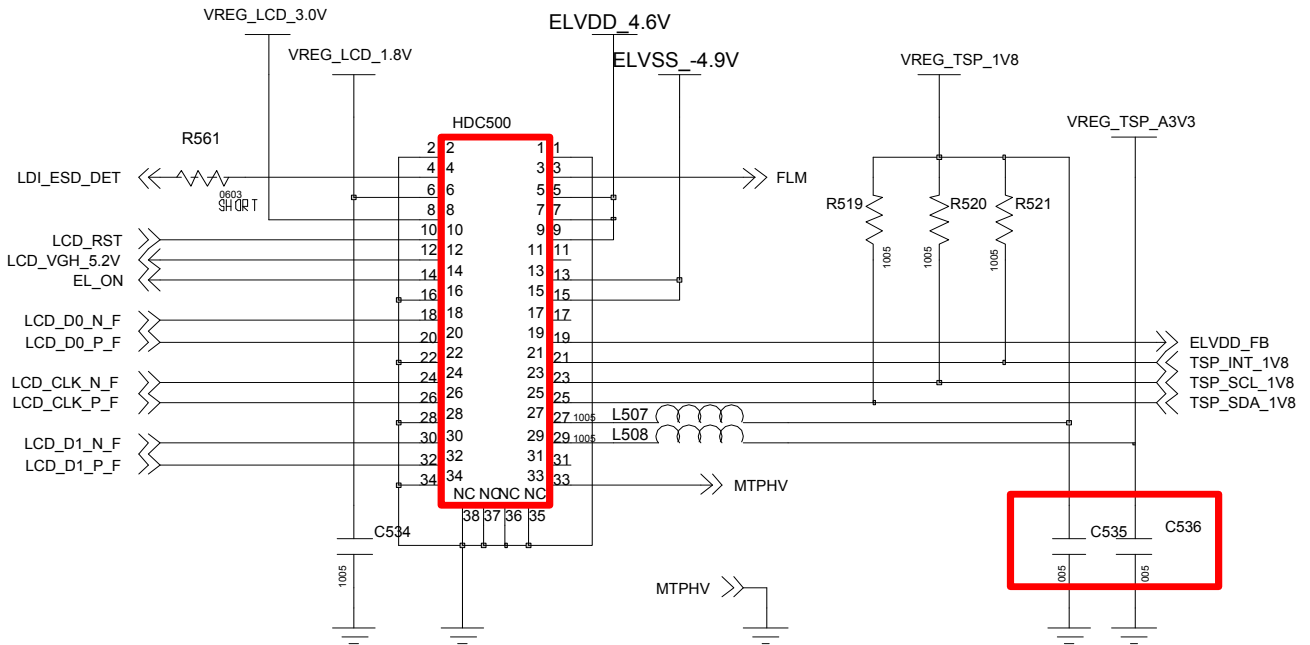
8-3-11. LCD



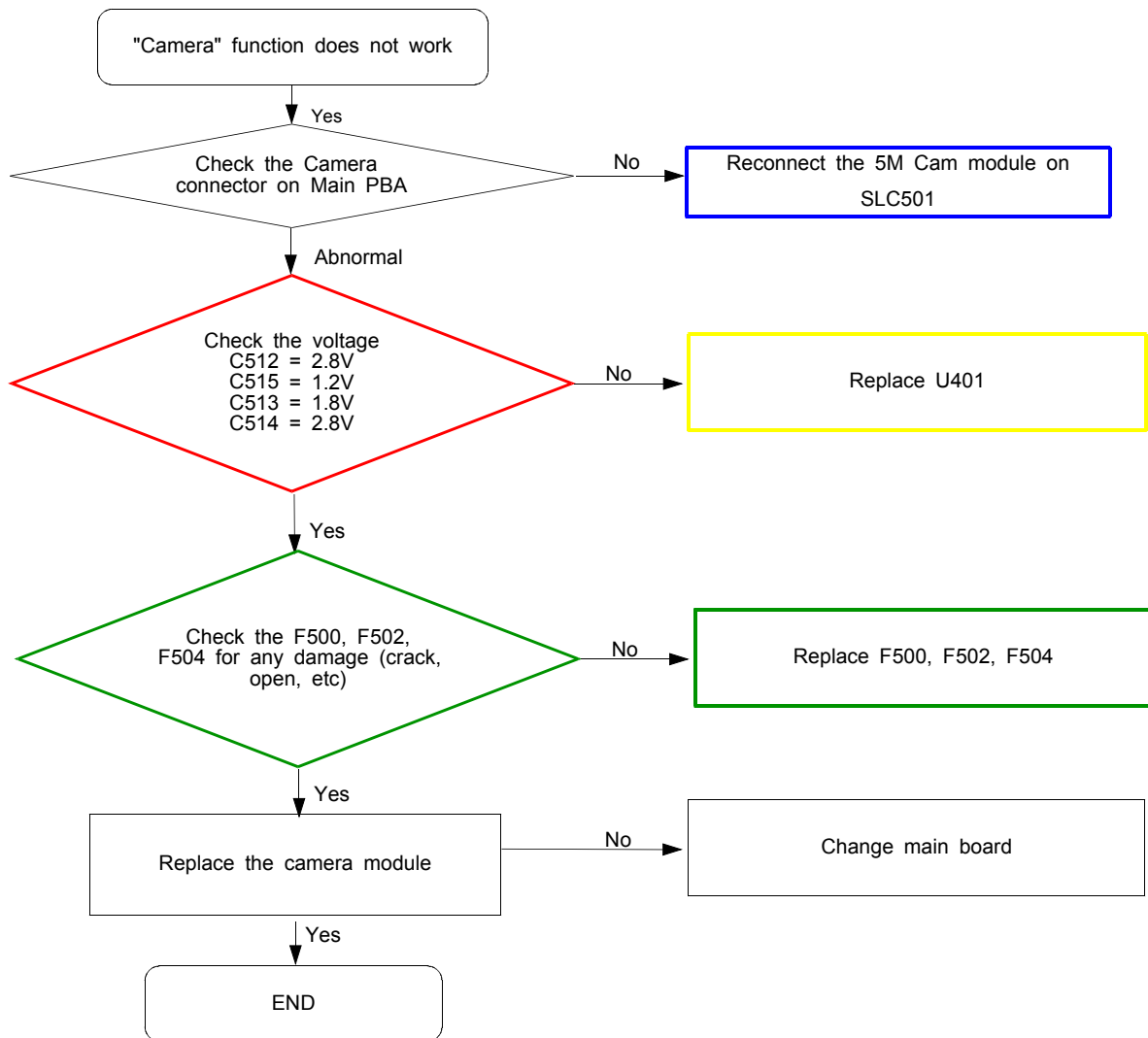


8-3-12. TSP

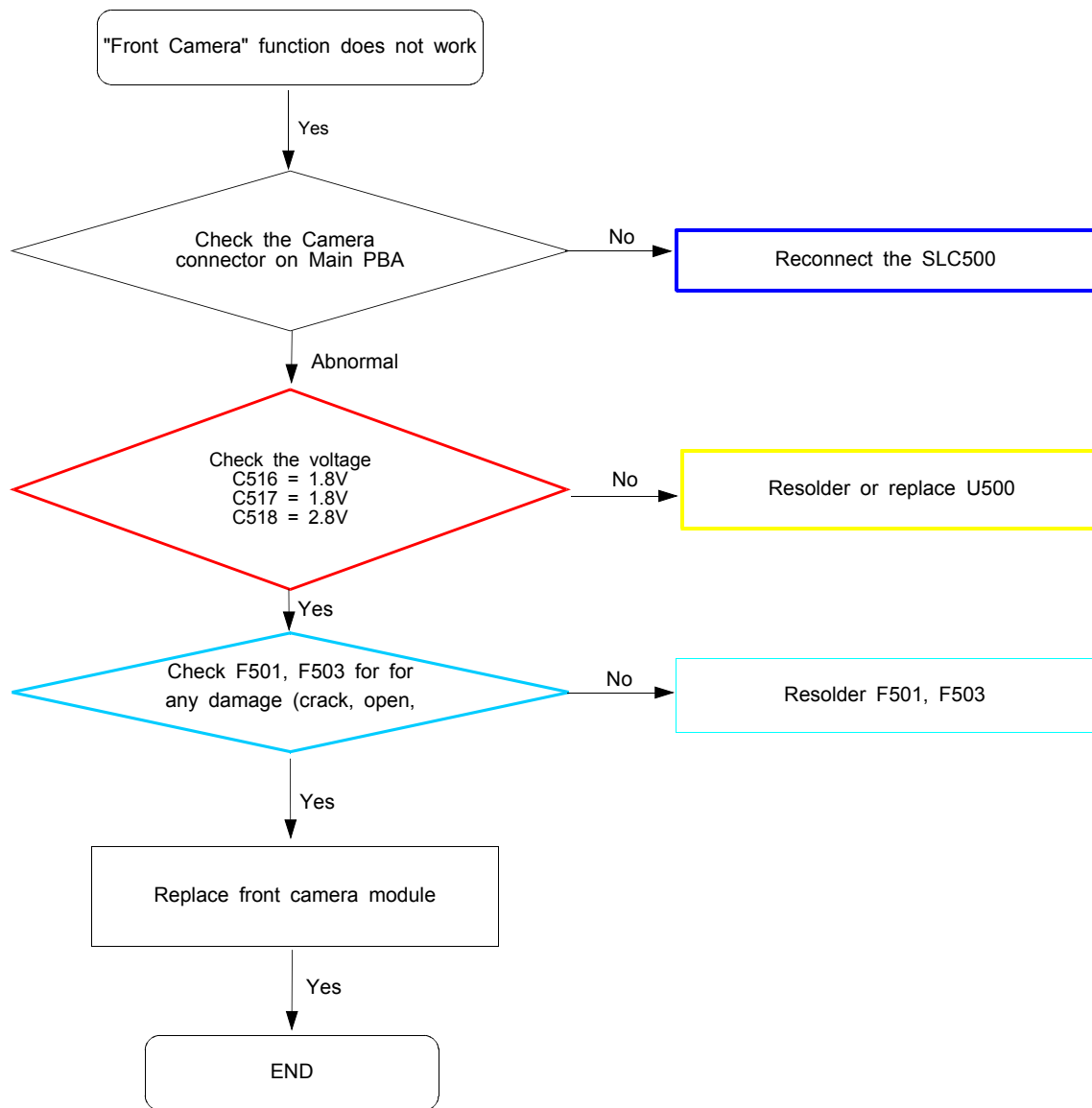


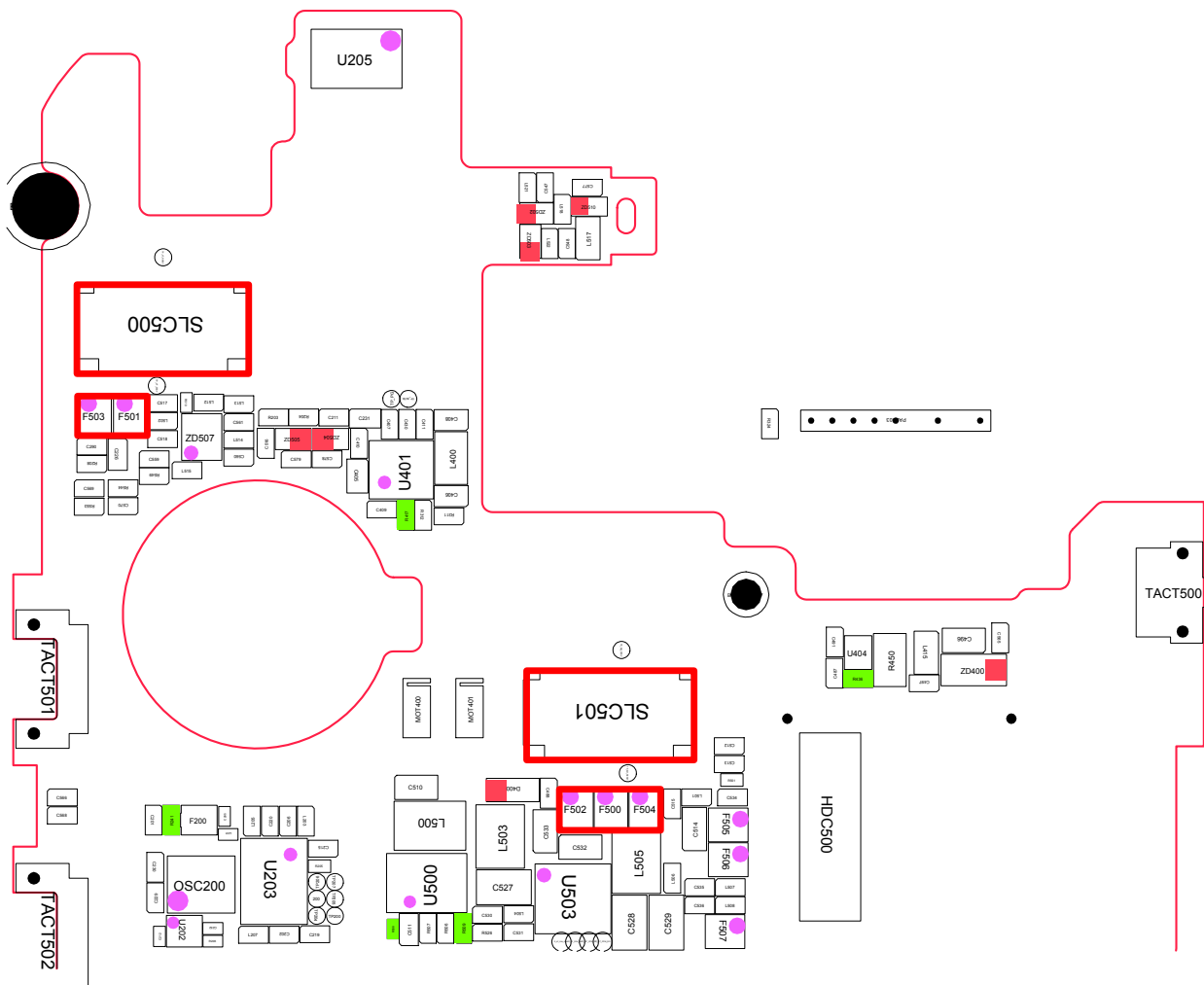
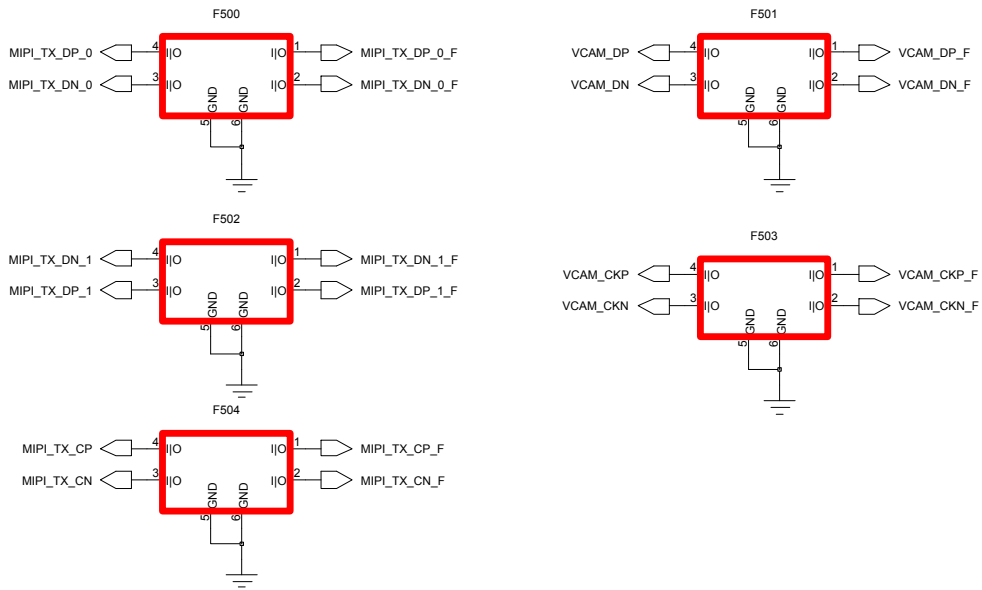


8-3-13. 5M CAM

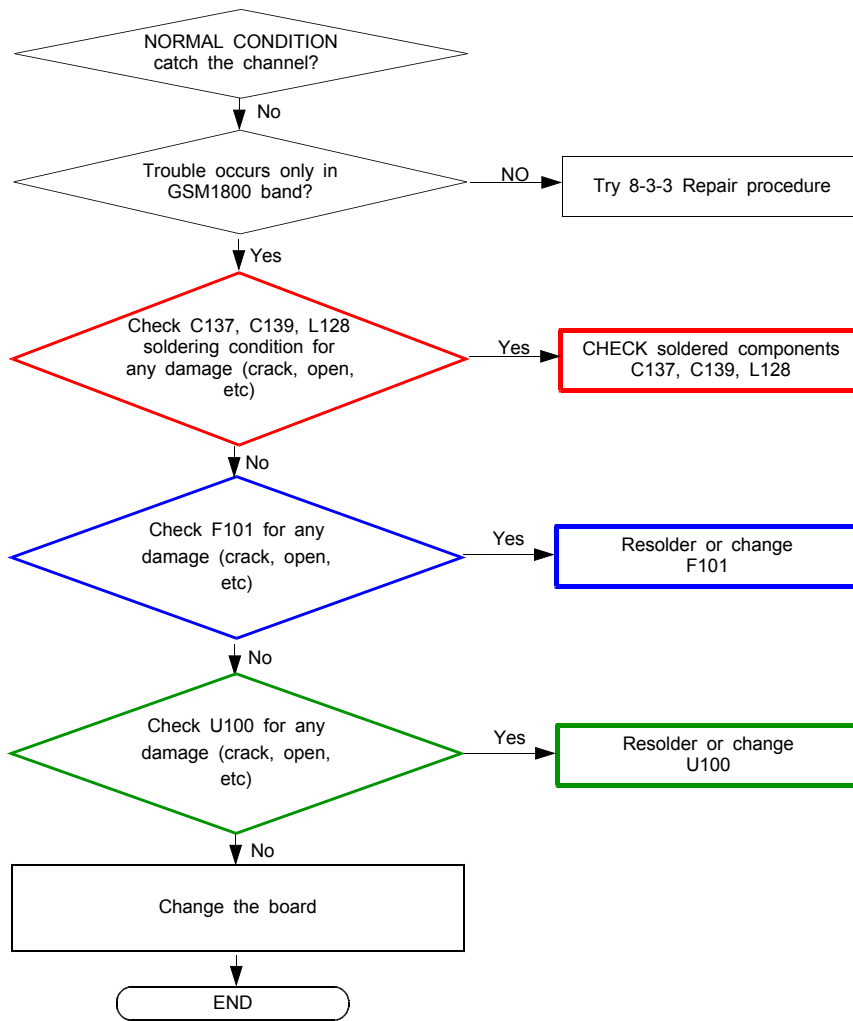


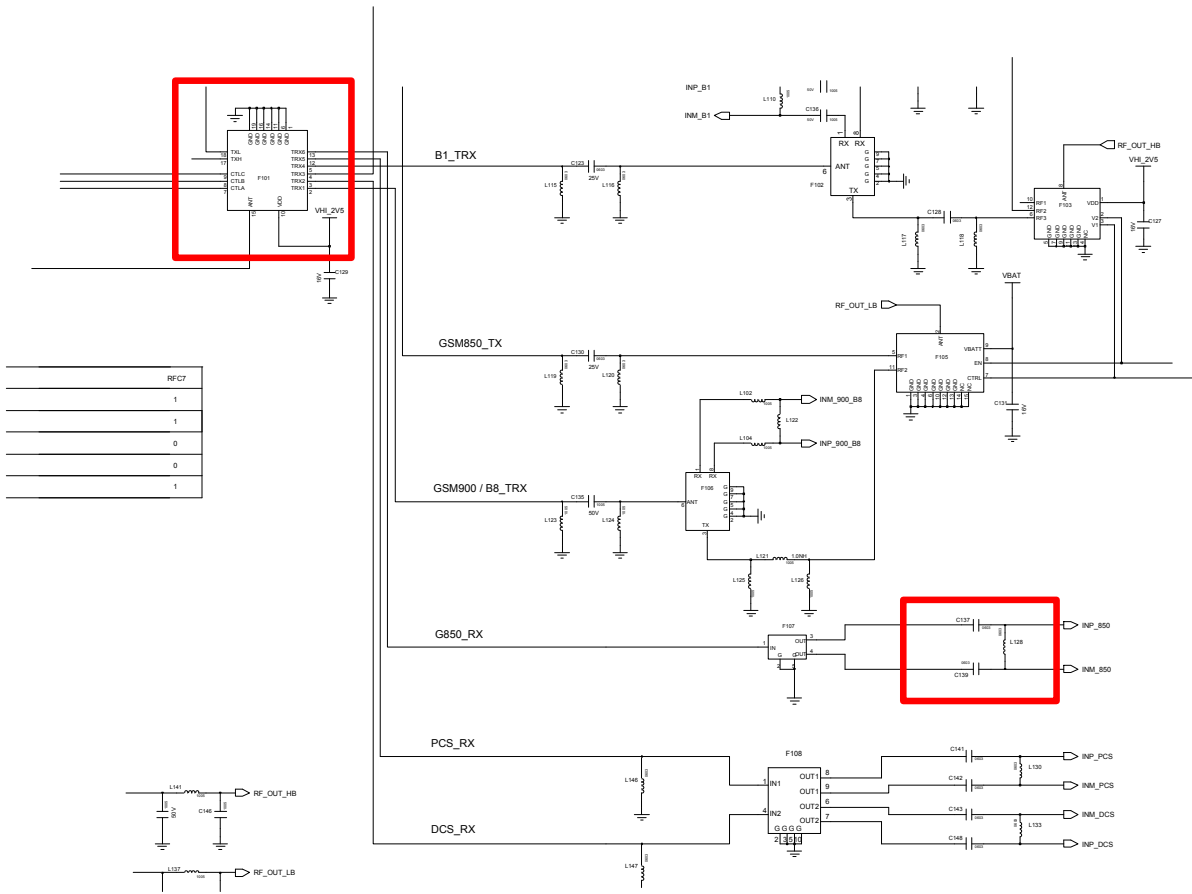
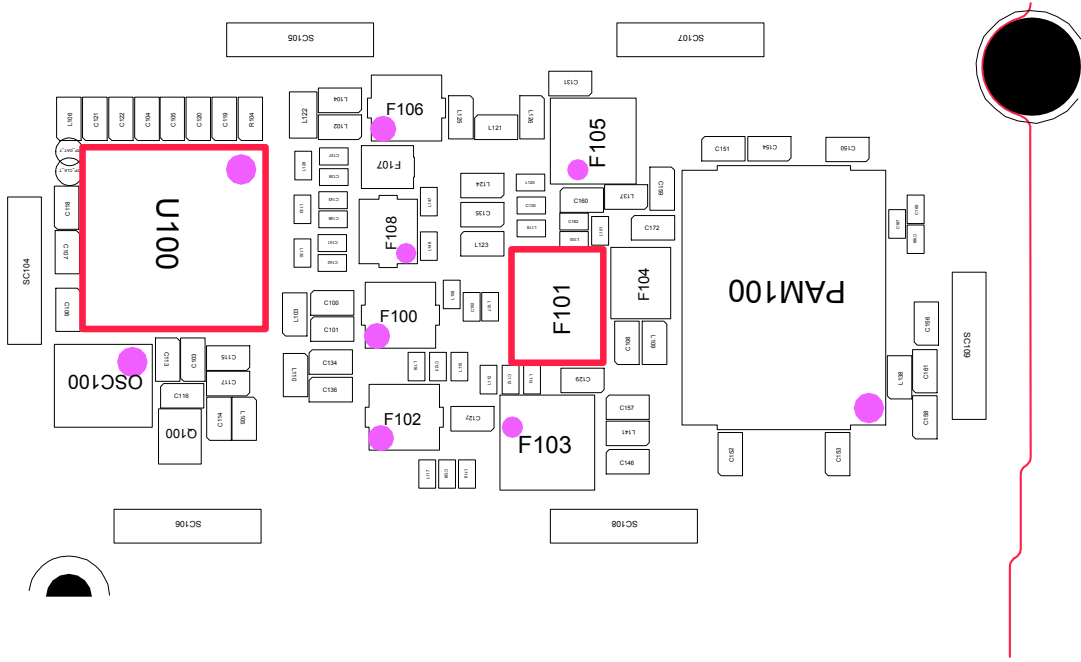
8-3-14. 1.3M CAM



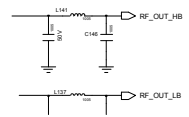


8-3-15. GSM850 RX

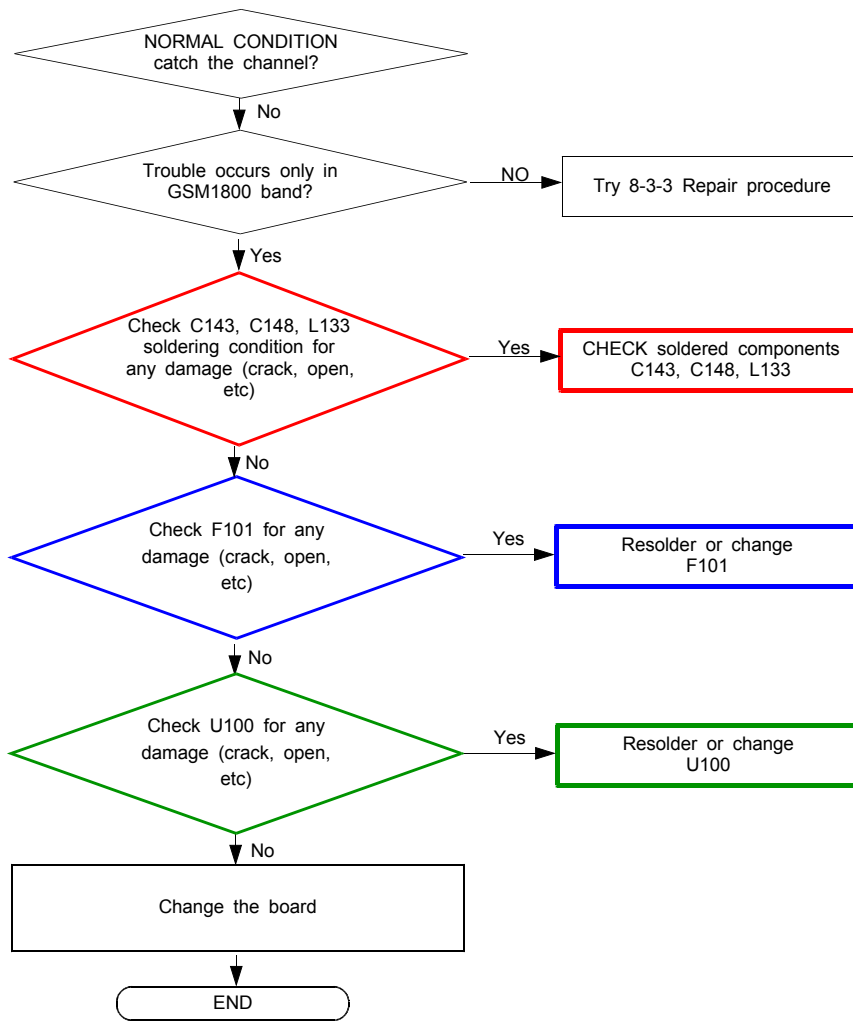


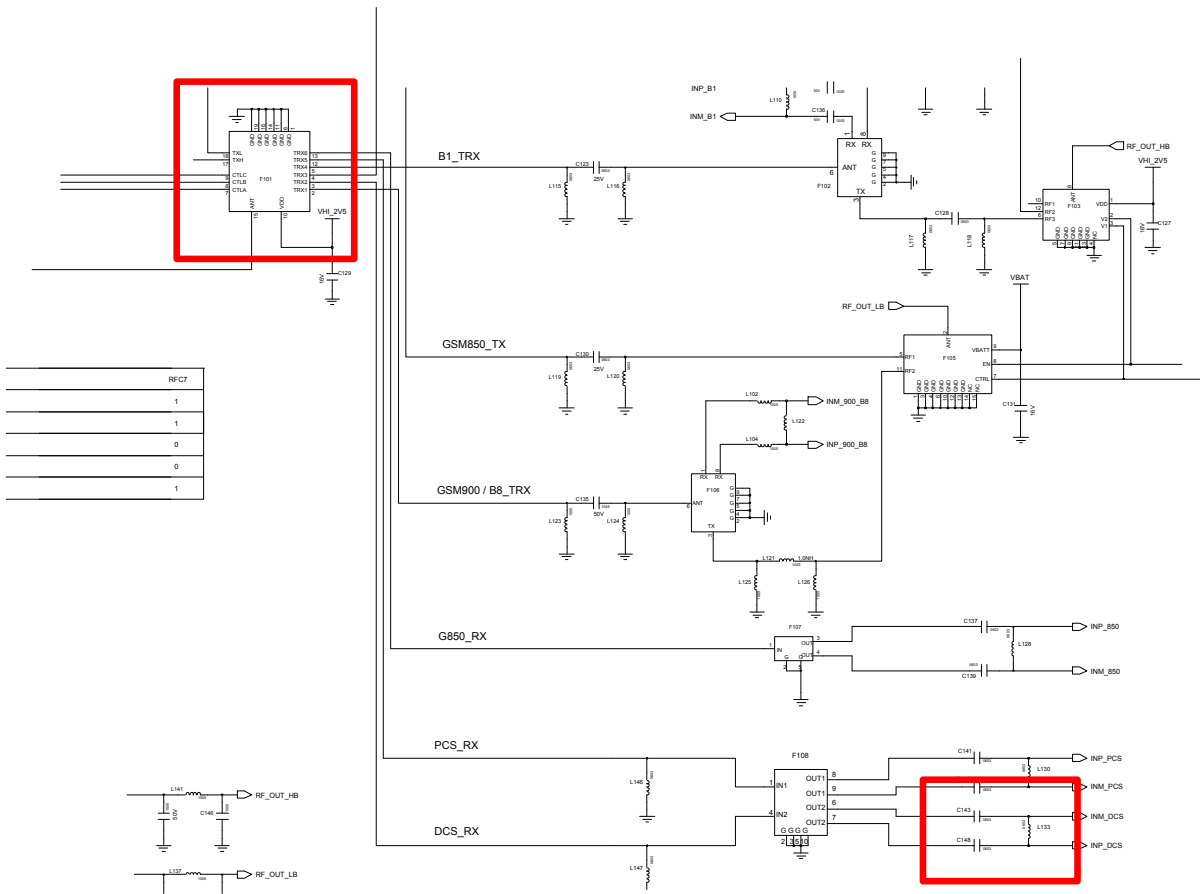
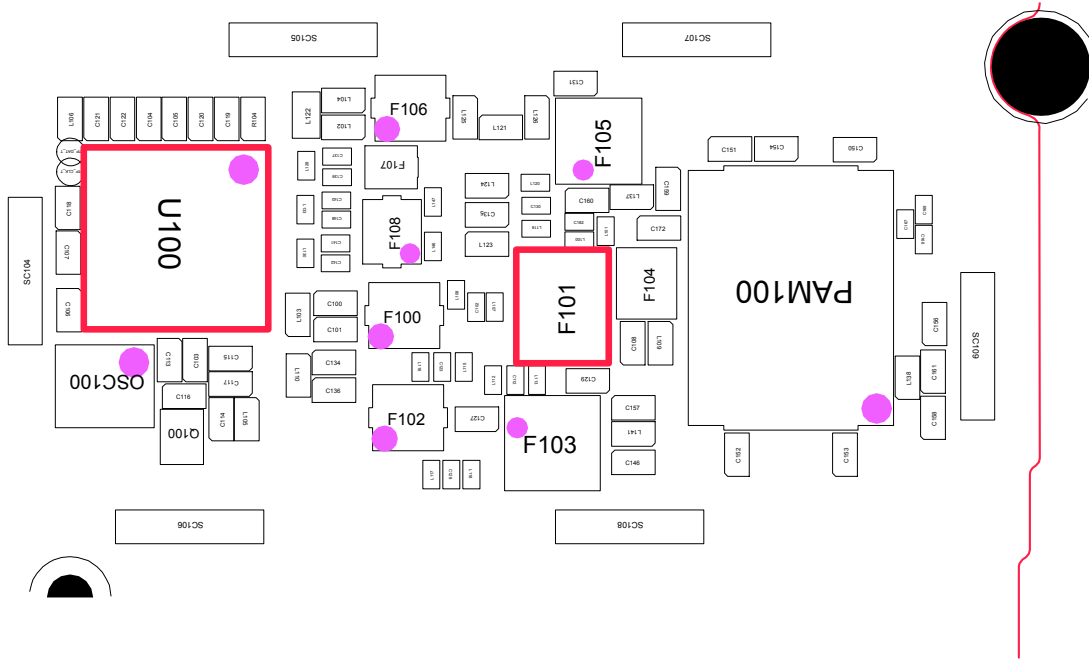


RF C7
1
1
0
0
1

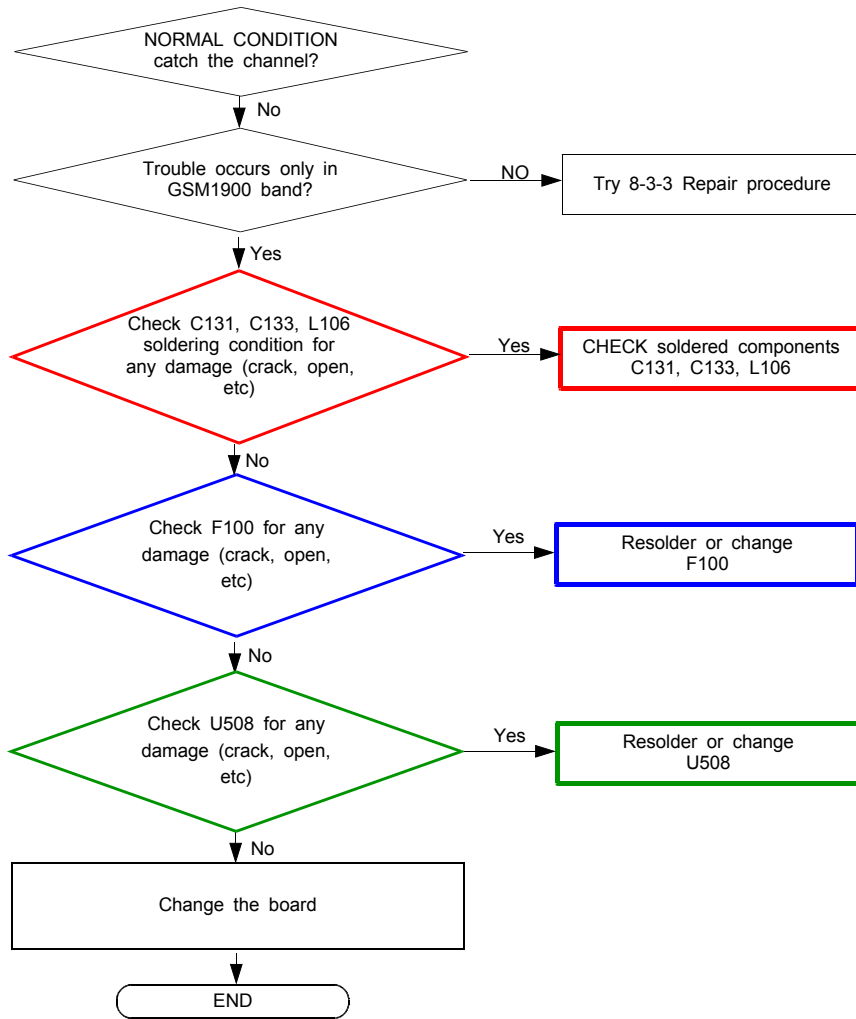


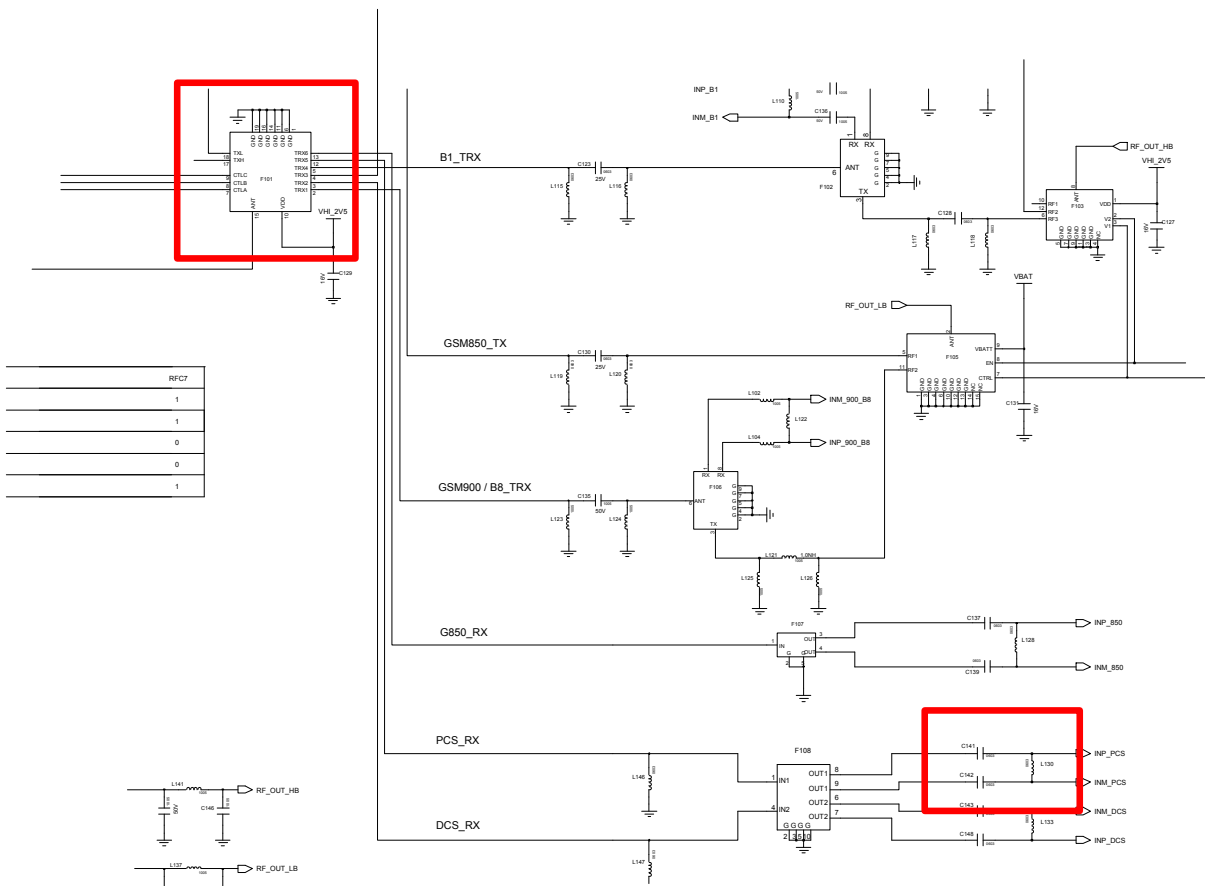
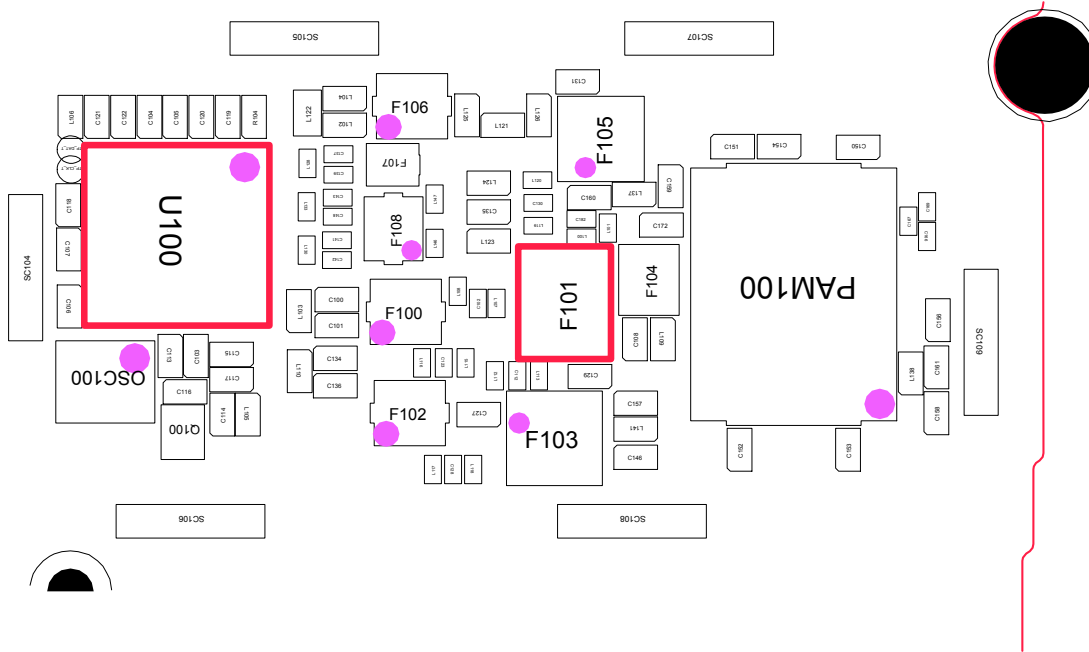
8-3-15. GSM1800 RX





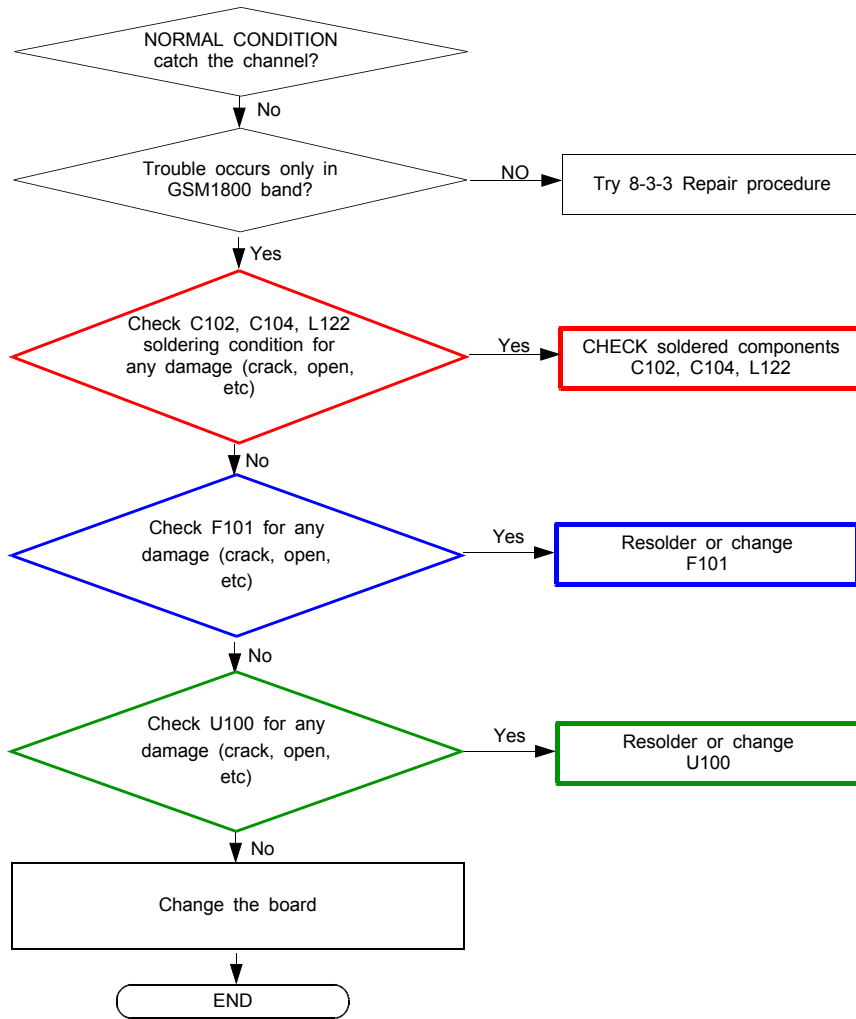
8-3-16. GSM1900 RX

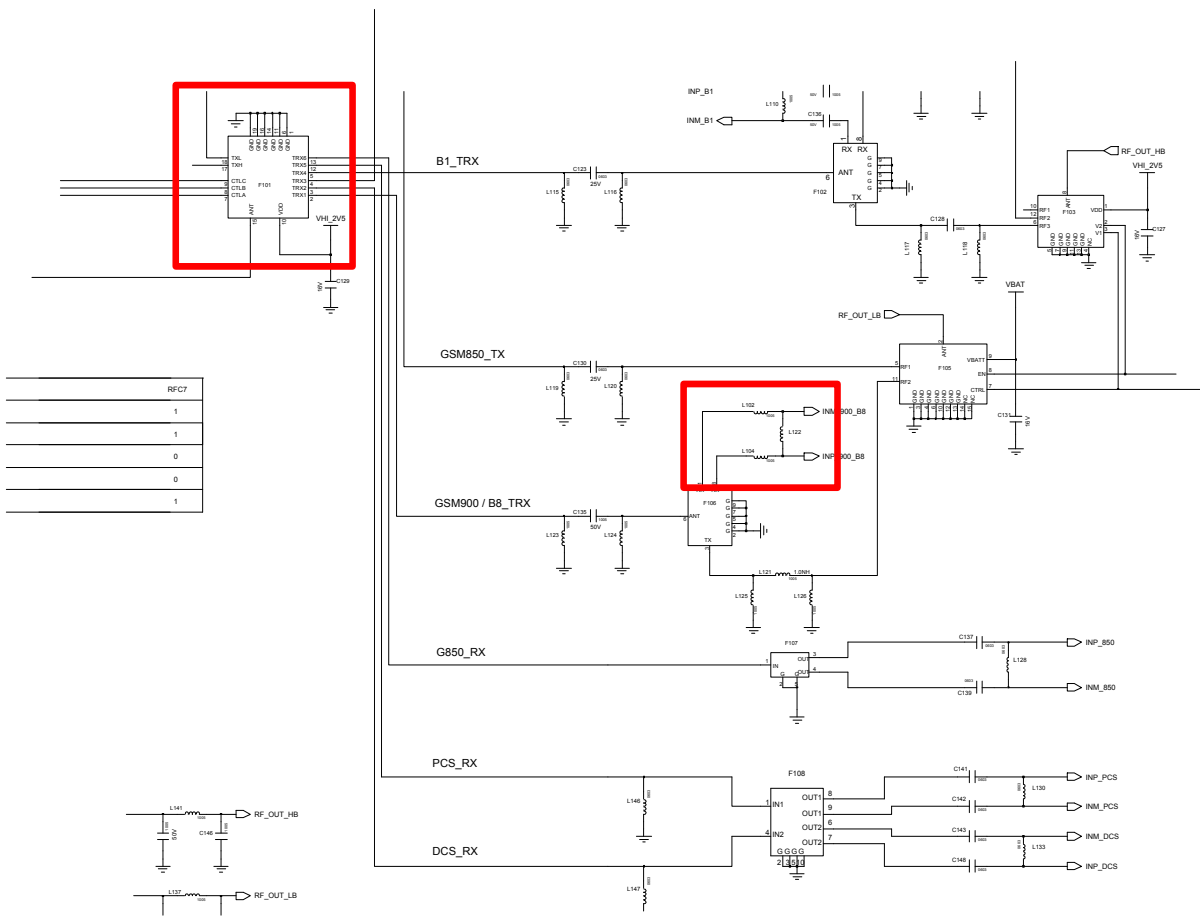
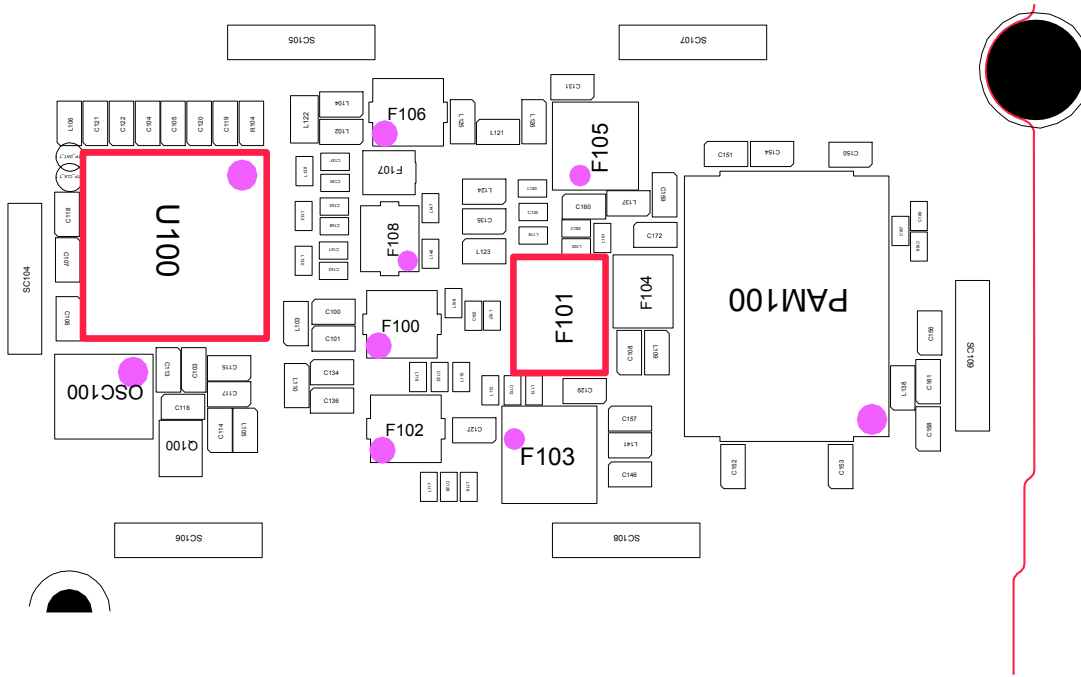




RFCT
1
1
0
1

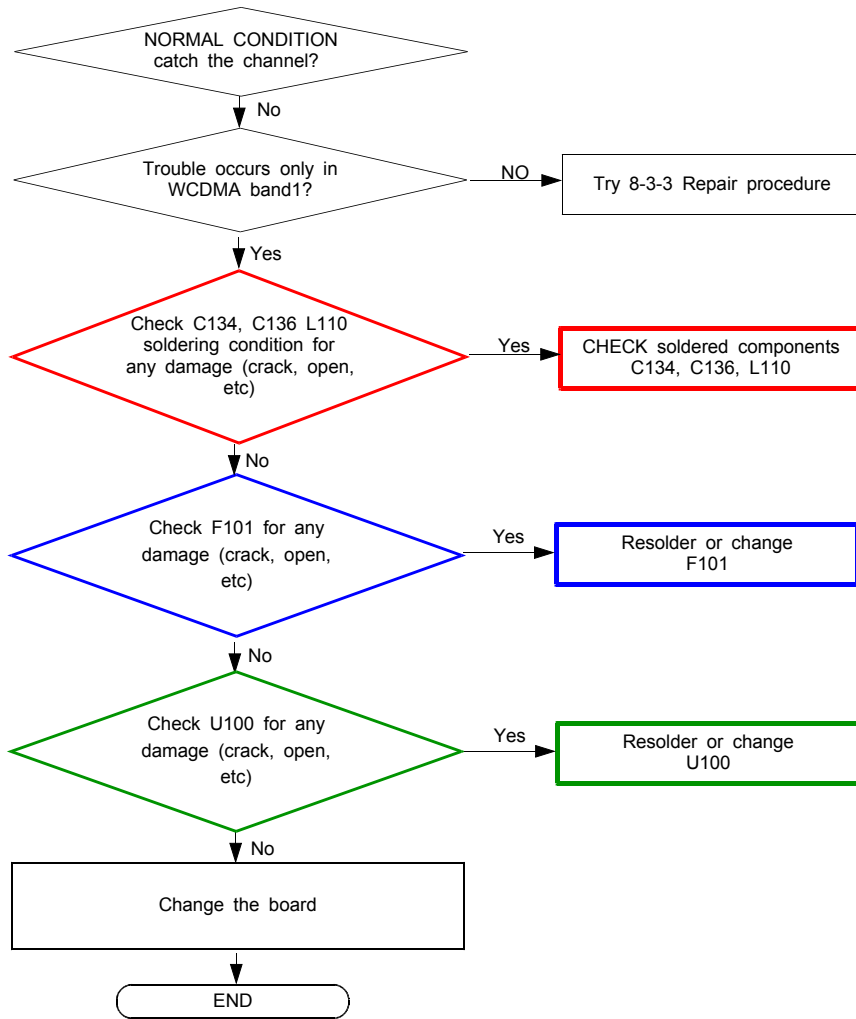
8-3-15. GSM900, Band8 RX

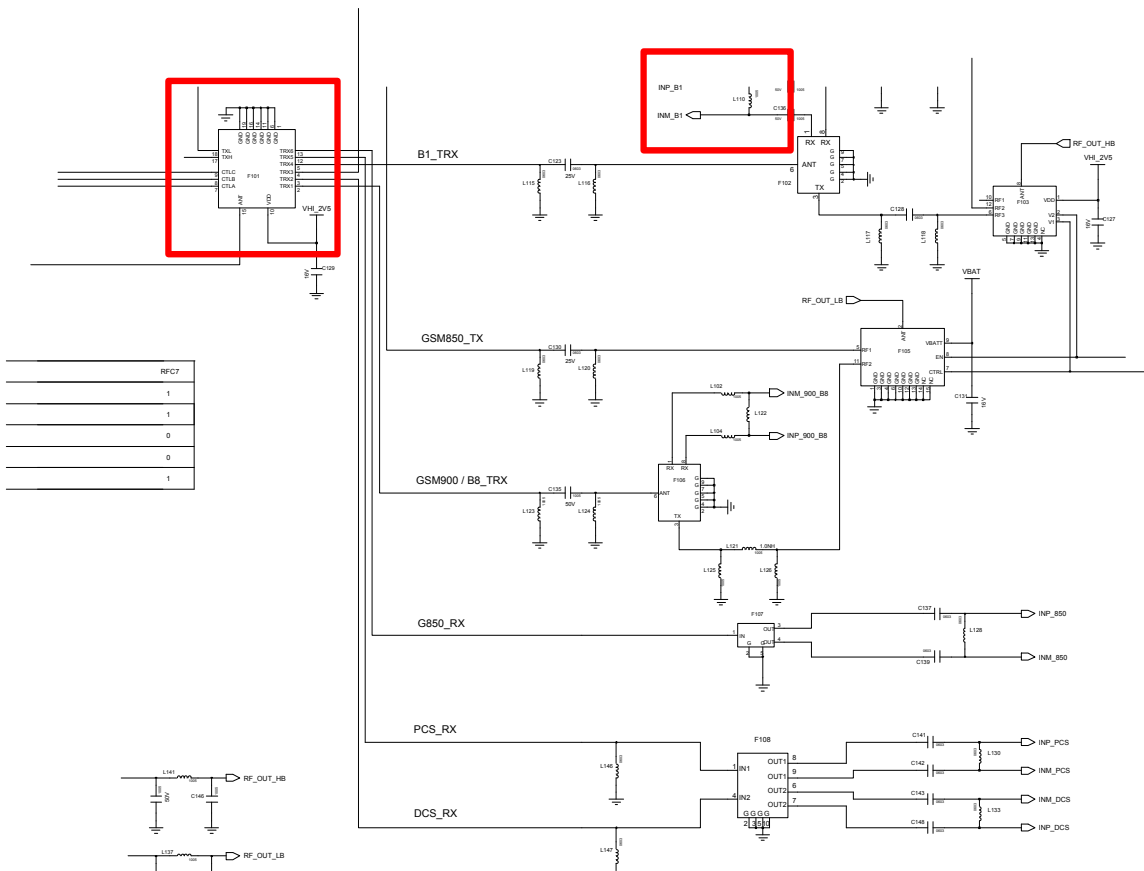
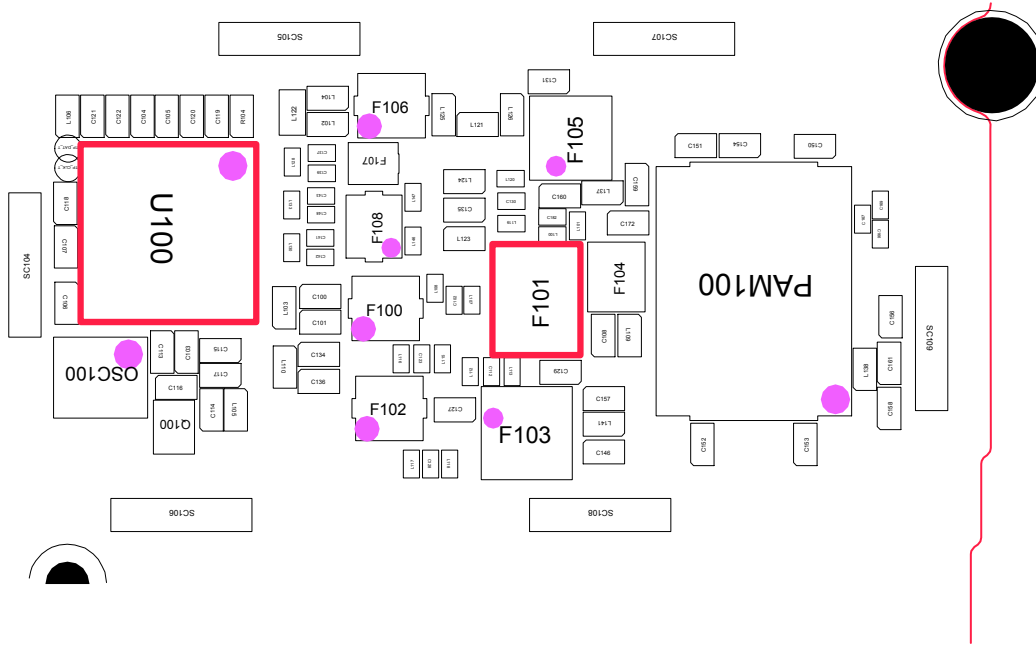




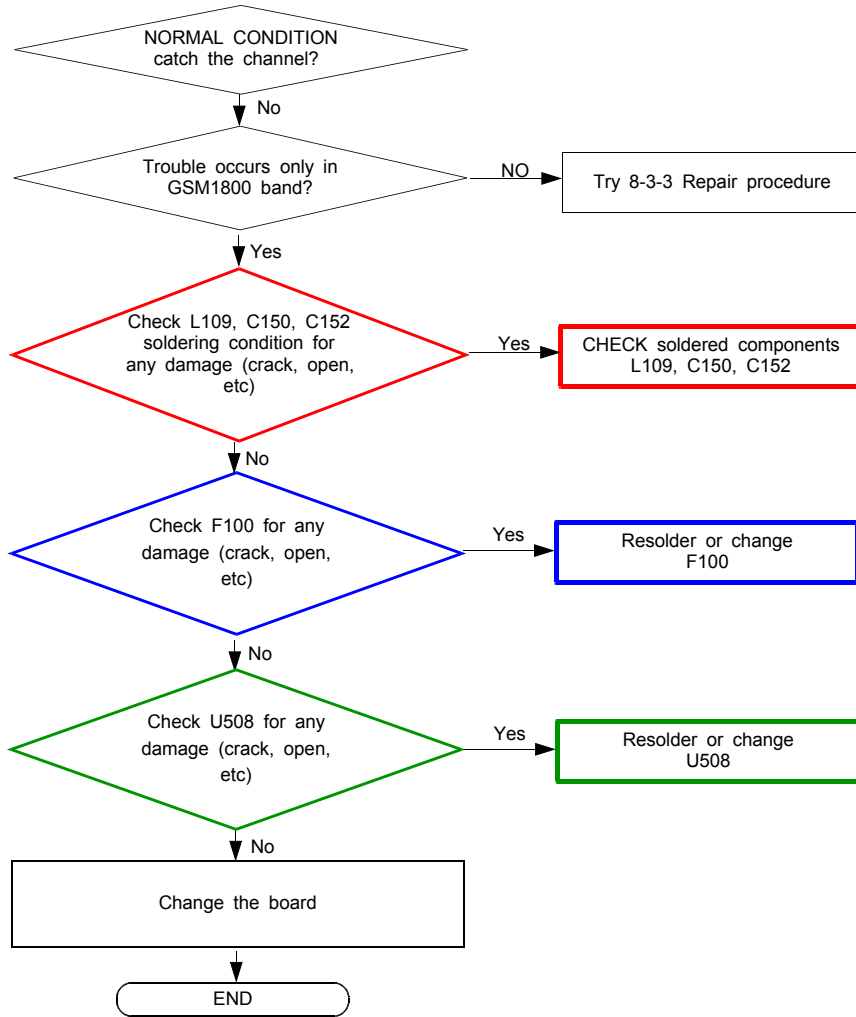
RF C7
1
1
0
0
1

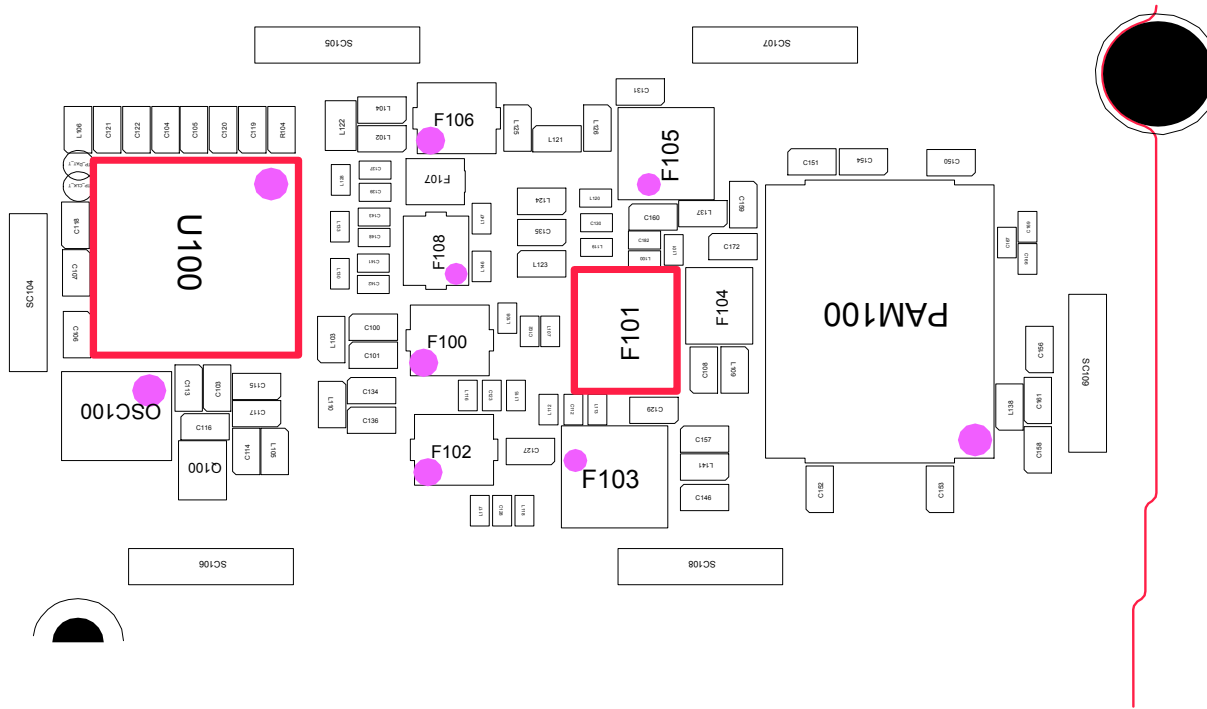
8-3-17. WCDMA Band1 RX



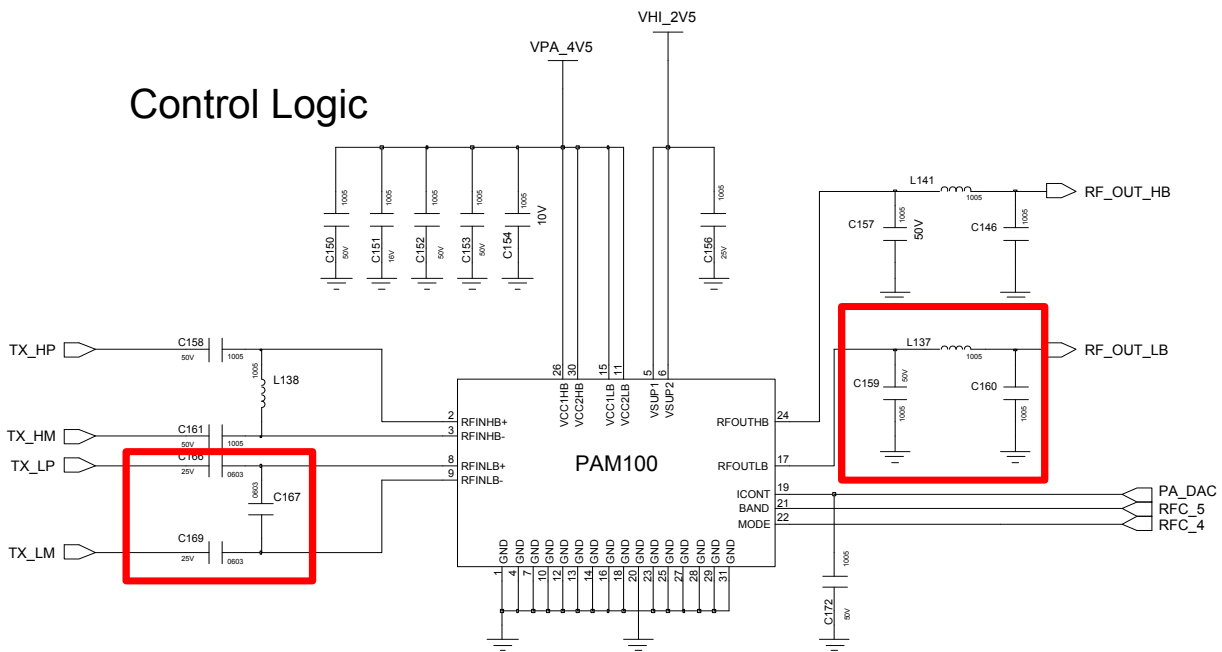


8-3-20. WCDMA BAND8/GSM850/GSM900 TX

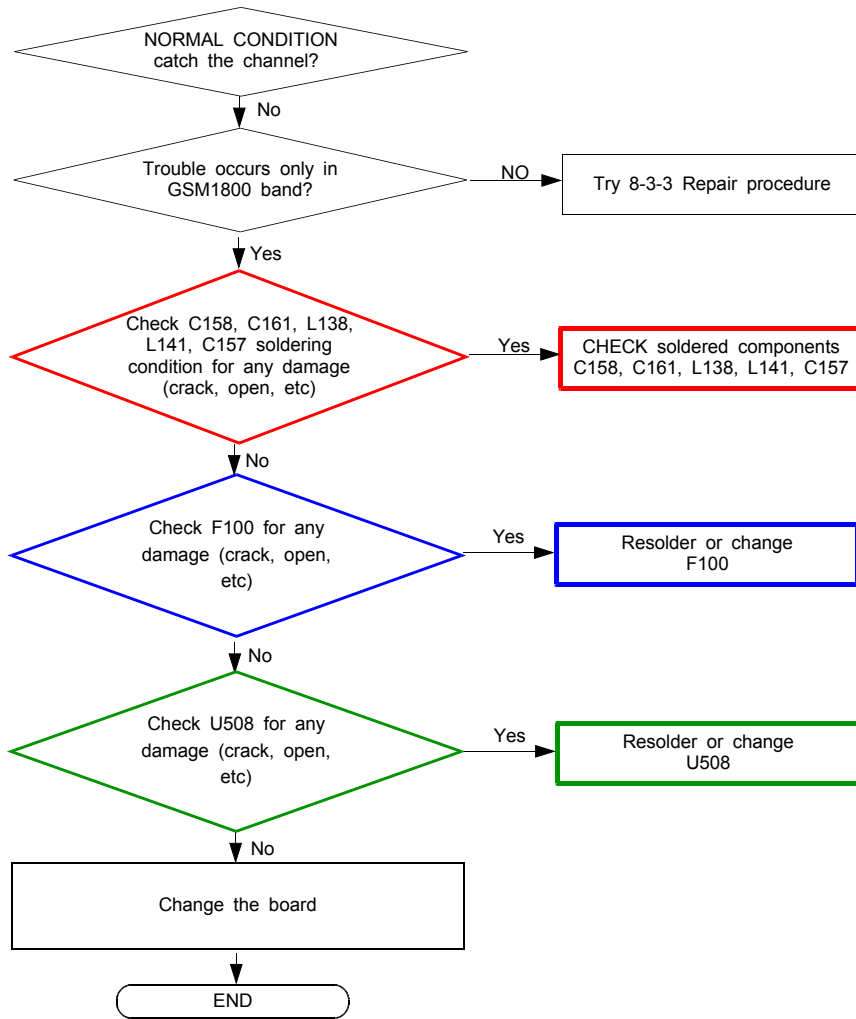


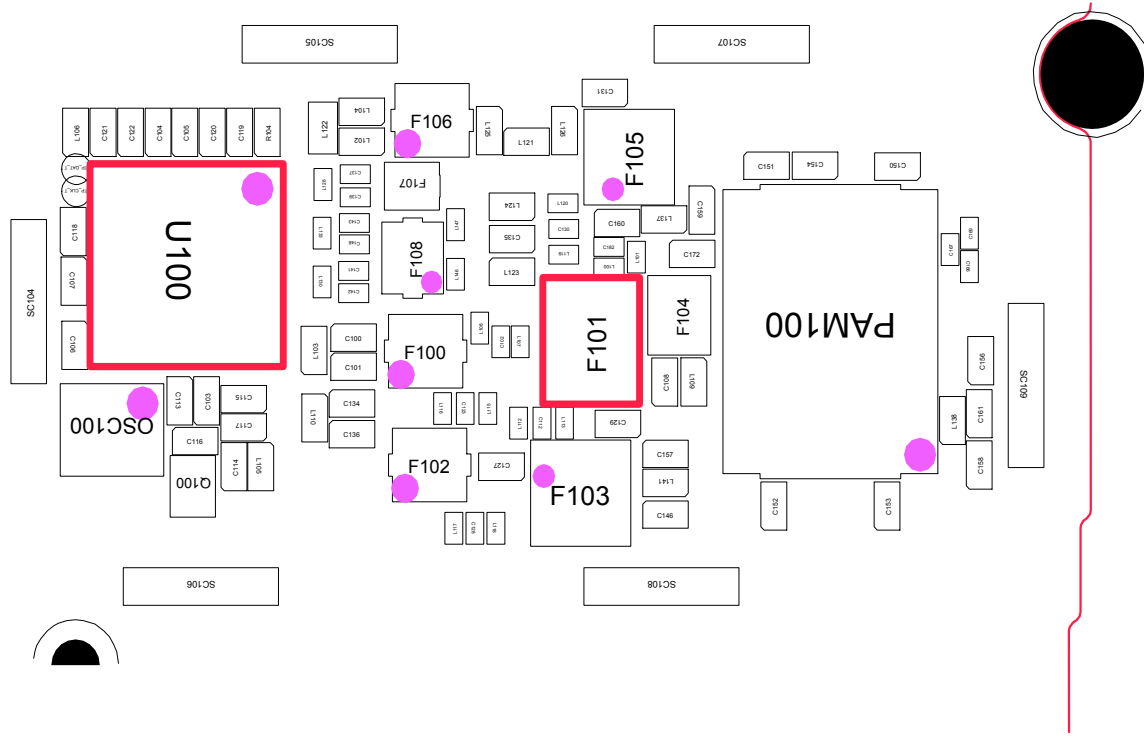


Control Logic



8-3-21. WCDMA BAND1,BAND2/DCS/PCS TX





Control Logic

