

D

D

C

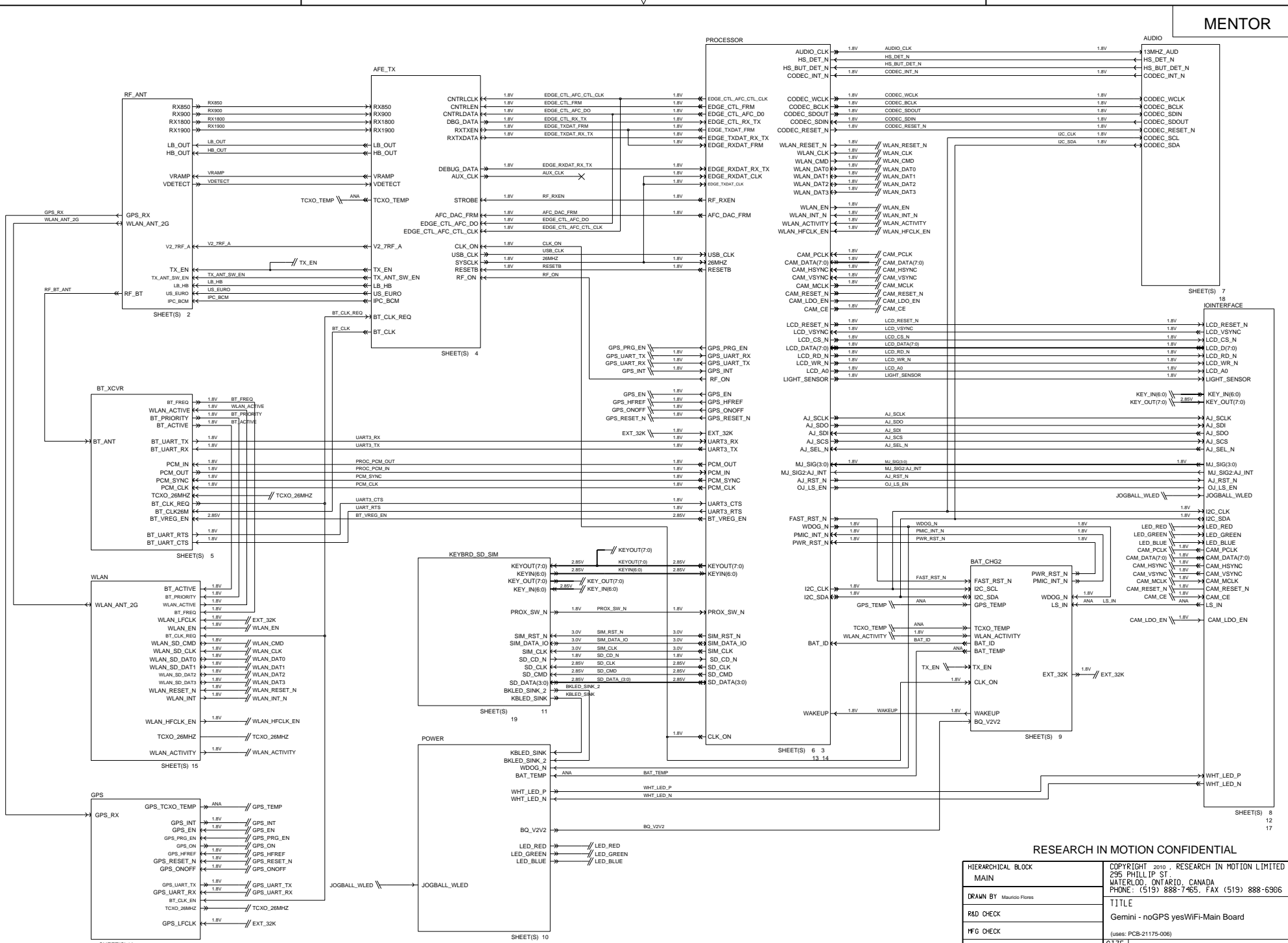
C

B

B

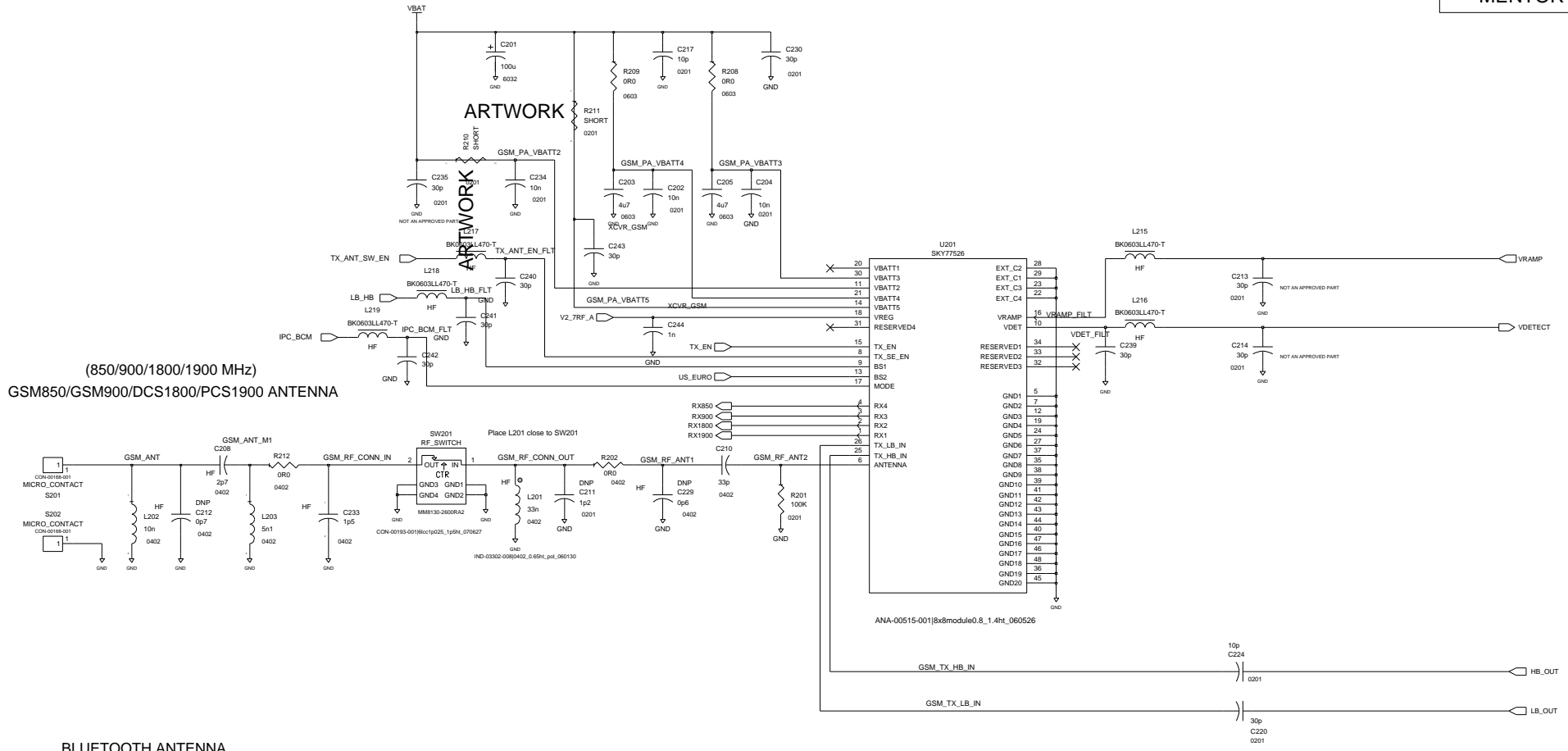
A

A

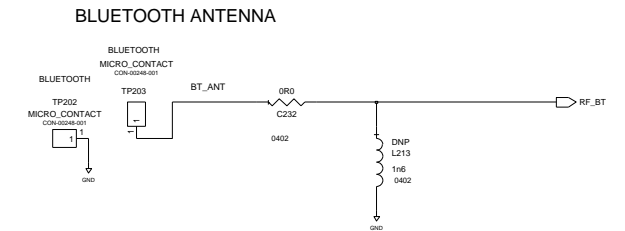


RESEARCH IN MOTION CONFIDENTIAL

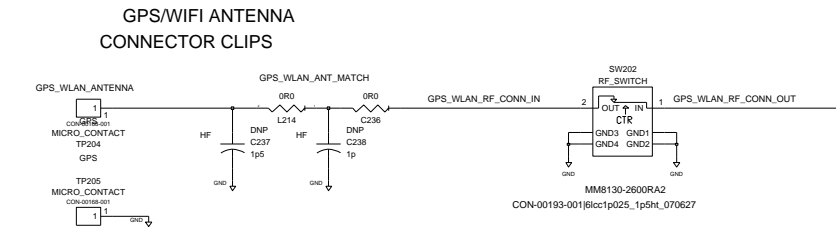
HIERARCHICAL BLOCK MAIN		COPYRIGHT 2010, RESEARCH IN MOTION LIMITED 295 PHILLIP ST. WATERLOO, ONTARIO, CANADA PHONE: (519) 888-7465, FAX (519) 888-6306	
DRAWN BY: Mauricio Flores		TITLE Gemini - noGPS yesWiFi-Main Board (uses: PCB-21175-006)	
R&D CHECK		SIZE DRAWING No. SCH-21408-004	
PFG CHECK		Edi Led Bu: blattamm	
Edi Led Bu: blattamm		Last Ed: 1 Jan 26, 2010, 1:13:20 pm	
REV 3		SHEET 1 OF 19	



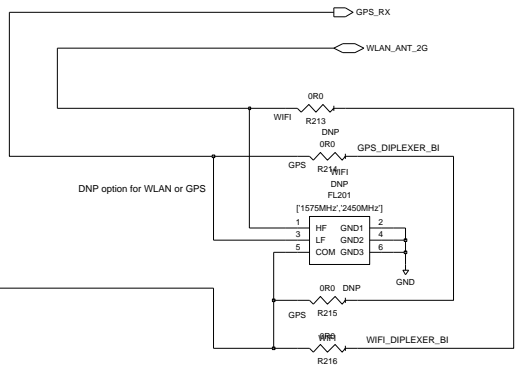
(850/900/1800/1900 MHz)  
GSM850/GSM900/DCS1800/PCS1900 ANTENNA



BLUETOOTH ANTENNA



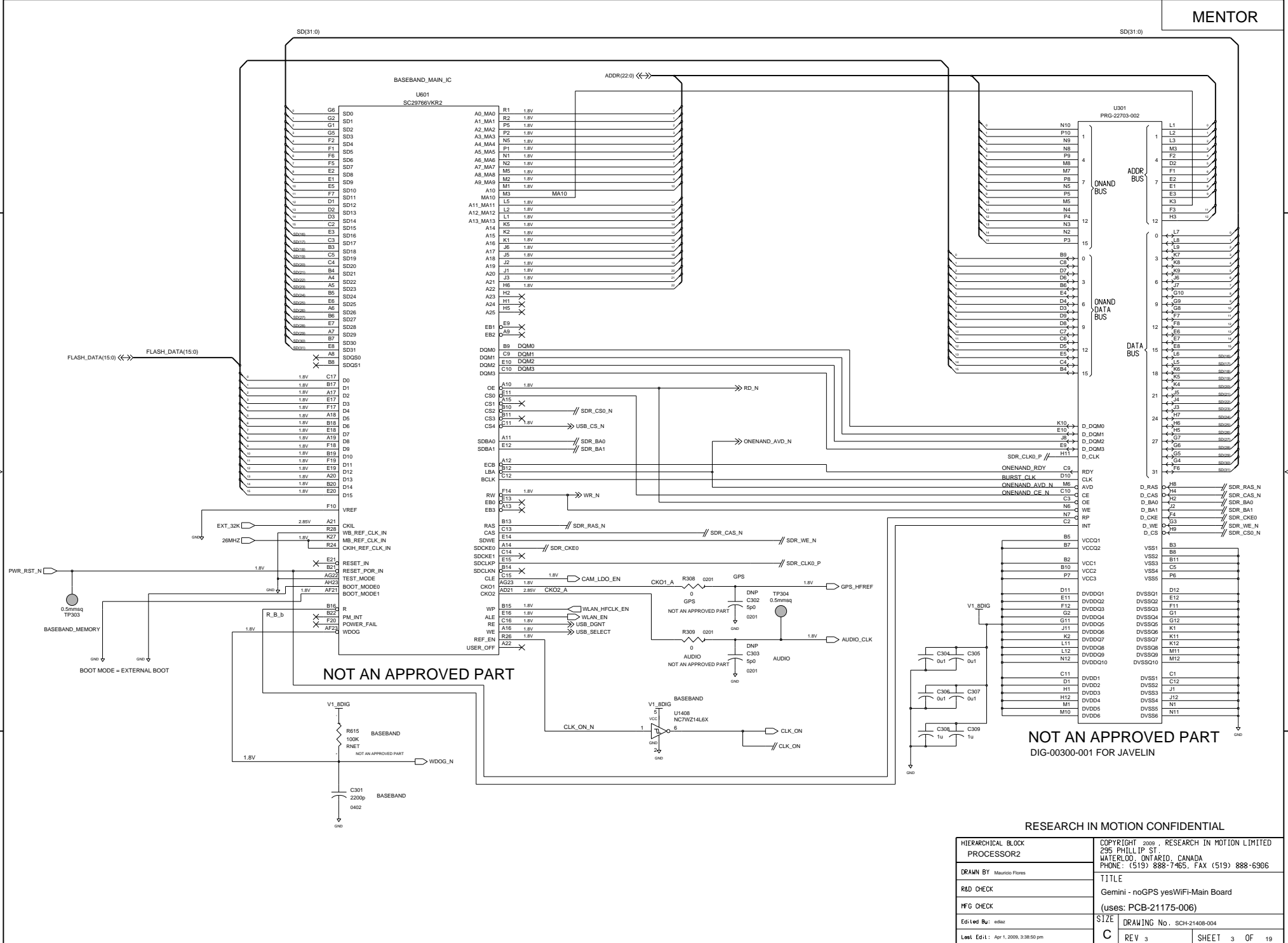
GPS/WIFI ANTENNA  
CONNECTOR CLIPS



GPS  
WLAN  
2.4GHz 802.11b/g

HIERARCHICAL BLOCK RF_ANT		COPYRIGHT 2009, RESEARCH IN MOTION LIMITED 295 PHILLIP ST. WATERLOO, ONTARIO, CANADA PHONE: (519) 888-7465, FAX (519) 888-6306	
DRAWN BY Mauricio Flores		TITLE Gemini - noGPS yesWiFi-Main Board	
R&D CHECK		(uses: PCB-21175-006)	
HFG CHECK		SIZE DRAWING No. SCH-21408-004	
Edi Led By: maflores		C	
Last Ed: Jul 22, 2009, 3:54:18 pm		REV 3	SHEET 2 OF 19

RESEARCH IN MOTION CONFIDENTIAL



NOT AN APPROVED PART  
DIG-00300-001 FOR JAVELIN

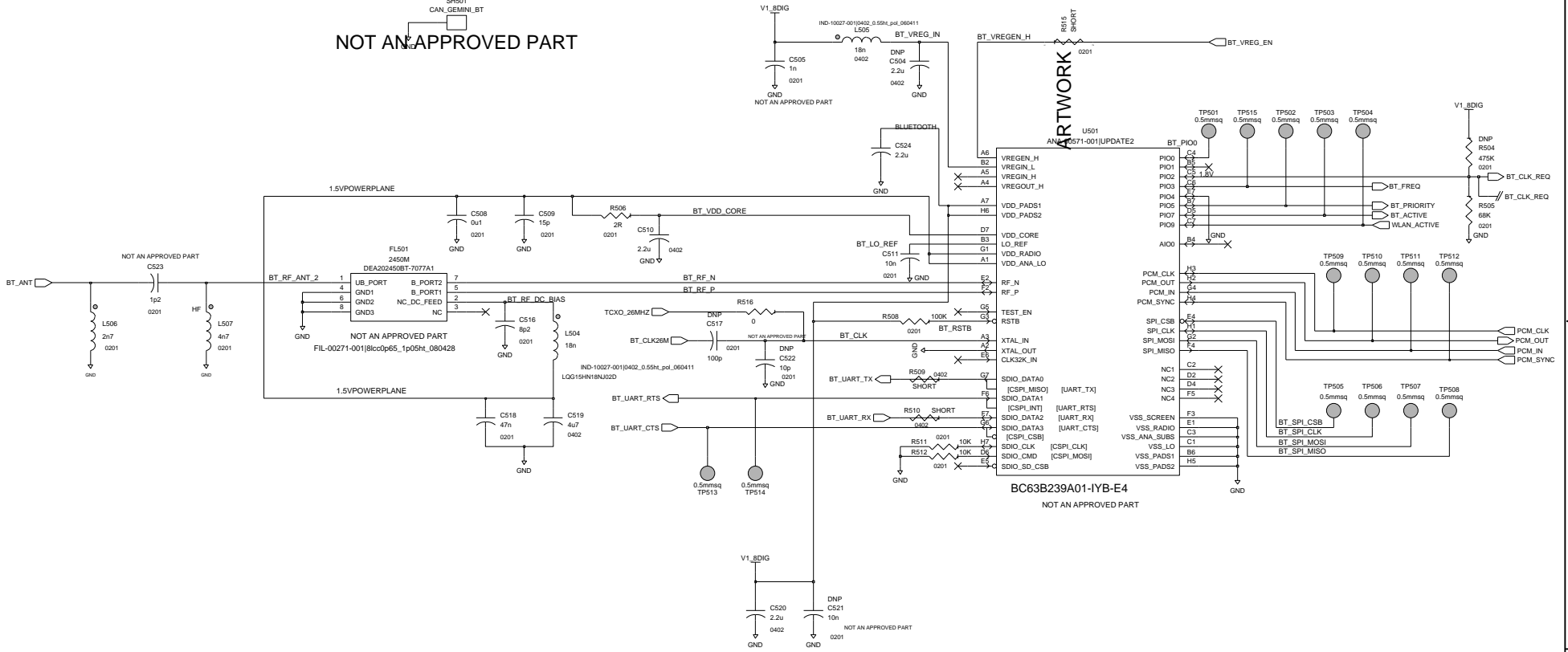
RESEARCH IN MOTION CONFIDENTIAL

HIERARCHICAL BLOCK PROCESSOR2	COPYRIGHT 2009, RESEARCH IN MOTION LIMITED 295 PHILLIP ST. WATERLOO, ONTARIO, CANADA PHONE: (519) 888-7465, FAX (519) 888-6306
DRAWN BY Mauricio Flores	TITLE Gemini - noGPS yesWiFi-Main Board
R&D CHECK	(uses: PCB-21175-006)
FIG CHECK	SIZE DRAWING No. SCH-21408-004
Edi Led By: ediz	C REV 3 SHEET 3 OF 19
Label Ed1: Apr 1, 2009, 3:38:50 pm	



BLUETOOTH

BLUETOOTH  
SH1501  
CAN\_GEMINI\_BT  
NOT AN APPROVED PART

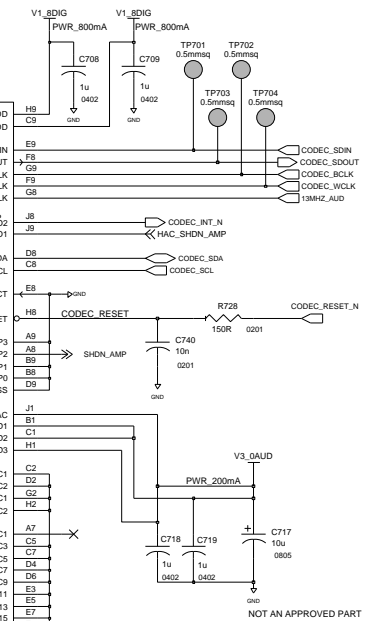
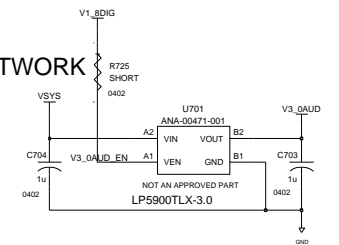


RESEARCH IN MOTION CONFIDENTIAL

HIERARCHICAL BLOCK BT_XCVR		COPYRIGHT 2009, RESEARCH IN MOTION LIMITED 295 PHILLIP ST. WATERLOO, ONTARIO, CANADA PHONE: (519) 888-7465, FAX (519) 888-6306	
DRAWN BY Mauricio Flores		TITLE Gemini - noGPS yesWiFi-Main Board (uses: PCB-21175-006)	
R&D CHECK		SIZE DRAWING No. SCH-21408-004	
MFG CHECK		REV 3	
Edi Led By: mafiores		SHEET 5 OF 19	
Last Ed: Jul 22, 2009, 5:34:59 pm			



ARTWORK



4

3

2

1

D

D

C

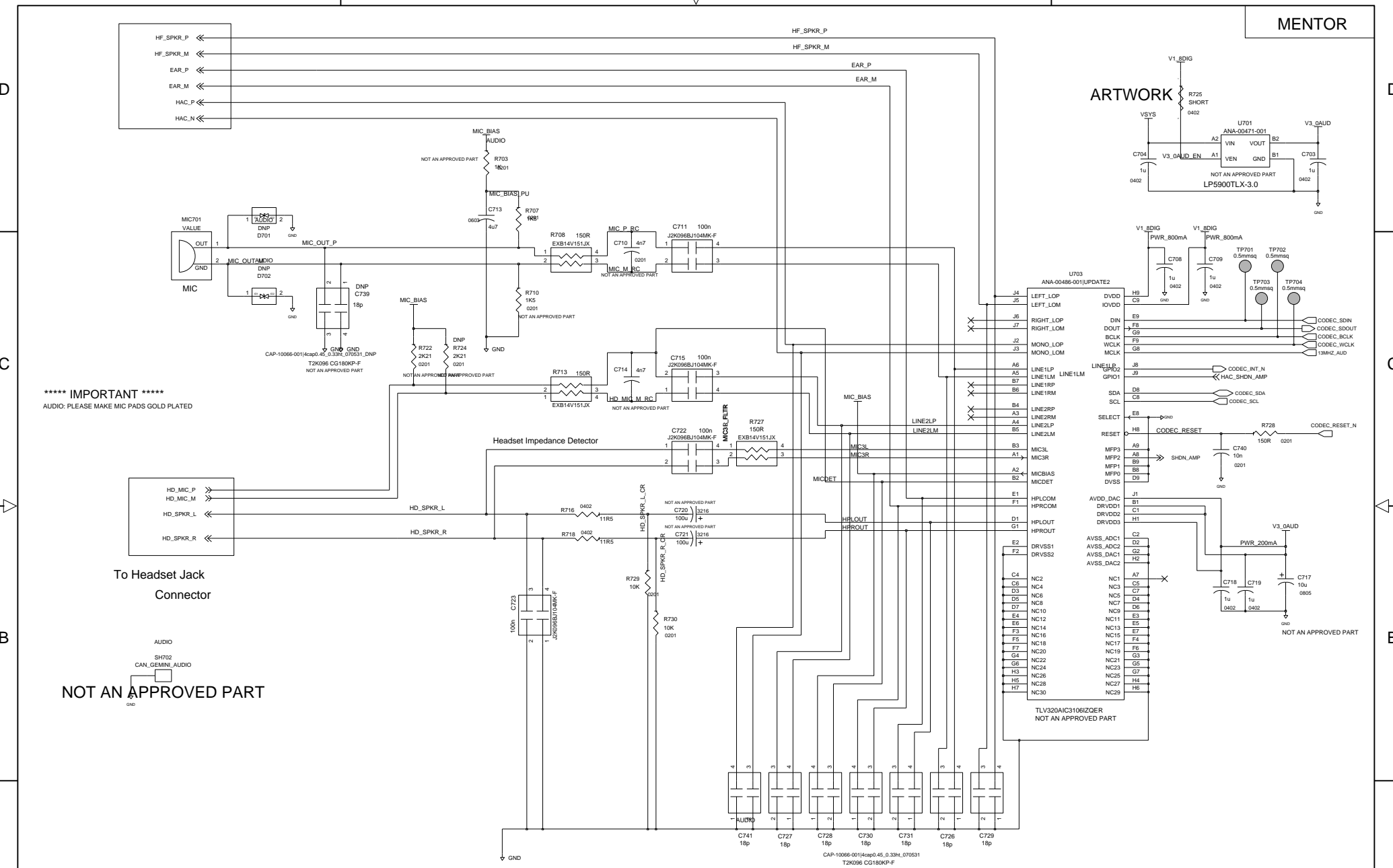
C

B

B

A

A



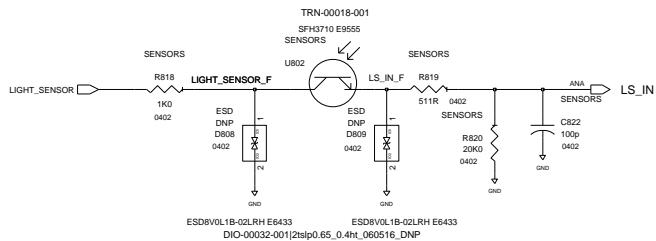
\*\*\*\*\* IMPORTANT \*\*\*\*\*  
AUDIO: PLEASE MAKE MIC PADS GOLD PLATED

To Headset Jack  
Connector

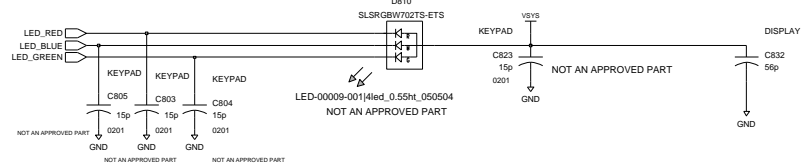
RESEARCH IN MOTION CONFIDENTIAL

HIERARCHICAL BLOCK AUDIO		COPYRIGHT 2009, RESEARCH IN MOTION LIMITED 295 PHILLIP ST. WATERLOO, ONTARIO, CANADA PHONE: (519) 888-7465, FAX (519) 888-6306	
DRAWN BY Mauricio Flores		TITLE Gemini - noGPS yesWiFi-Main Board	
R&D CHECK		(uses: PCB-21175-006)	
MFG CHECK		SIZE DRAWING No. SCH-21408-004	
Edi Led By: mafiores		C REV 3 SHEET 7 OF 19	
Last Ed1: Jul 22, 2009, 5:28:15 pm			

### LIGHT SENSOR



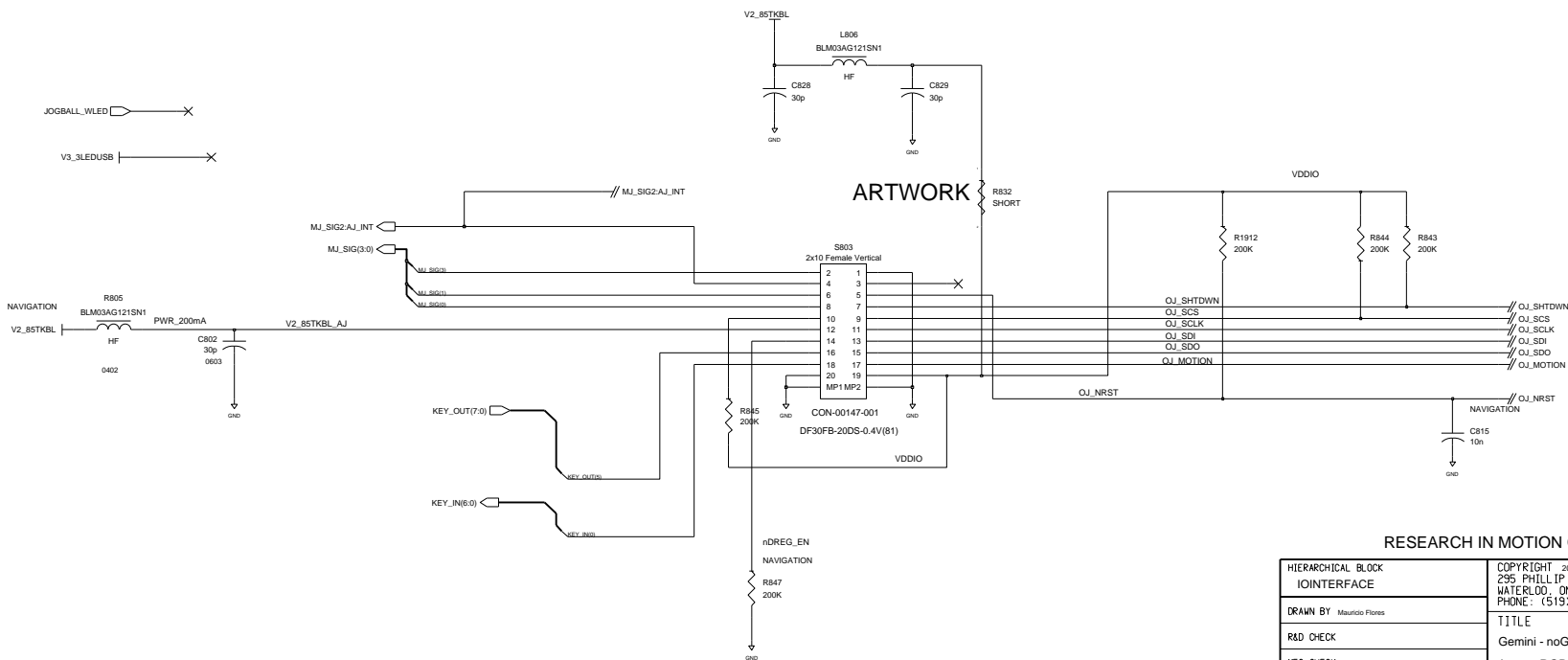
### TRI-COLOR LED



### MECHANICAL JOGBALL - MJB

### JOG BALL INTERFACE

### OPTICAL JOGBALL - OJB



MENTOR

NOT AN APPROVED PART

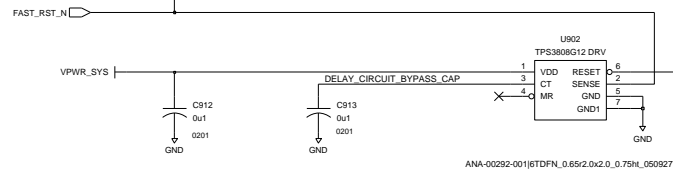
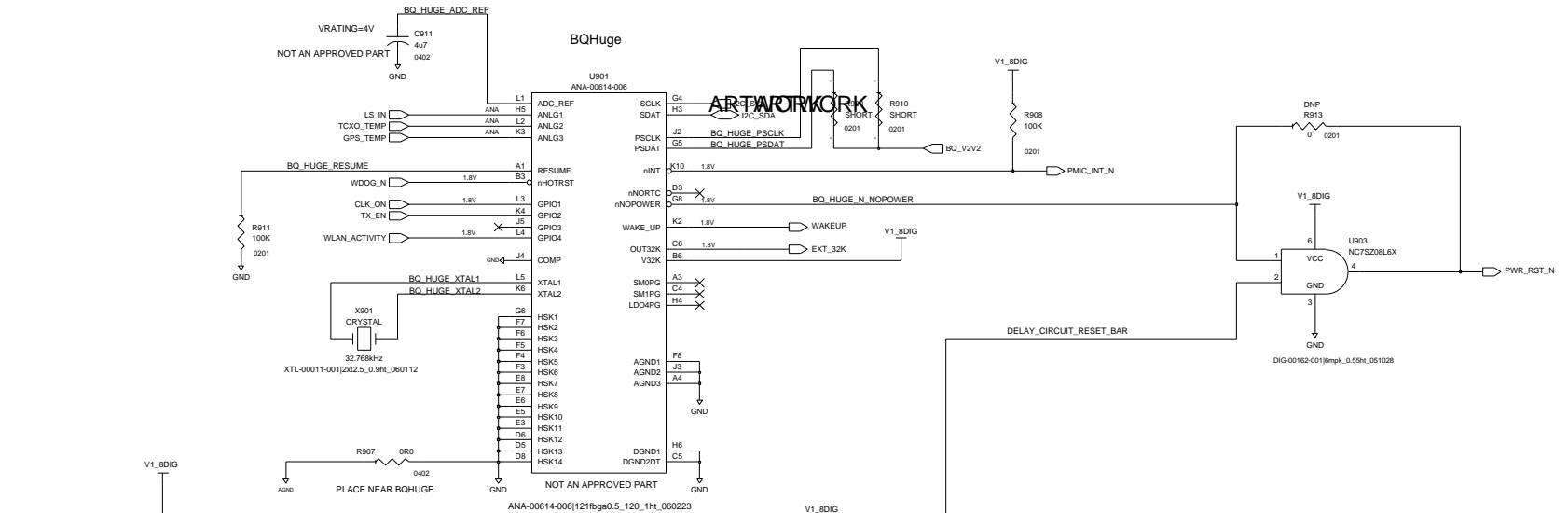
ARTWORK

RESEARCH IN MOTION CONFIDENTIAL

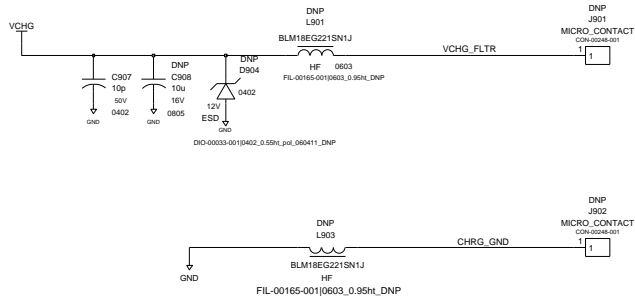
HIERARCHICAL BLOCK JOINTERFACE		COPYRIGHT 2009, RESEARCH IN MOTION LIMITED 295 PHILLIP ST. WATERLOO, ONTARIO, CANADA PHONE: (519) 888-7465, FAX (519) 888-6306	
DRAWN BY: Mauricio Flores		TITLE Gemini - noGPS yesWiFi-Main Board	
R&D CHECK		(uses: PCB-21175-006)	
MFG CHECK		SIZE DRAWING No. SCH-21408-004	
Edi Led By: mafiores		C	
Level: Ed1: Jul 22, 2009, 5:28:39 pm		REV 3	SHEET 8 OF 19



PLACE CLOSE TO BQHUGE

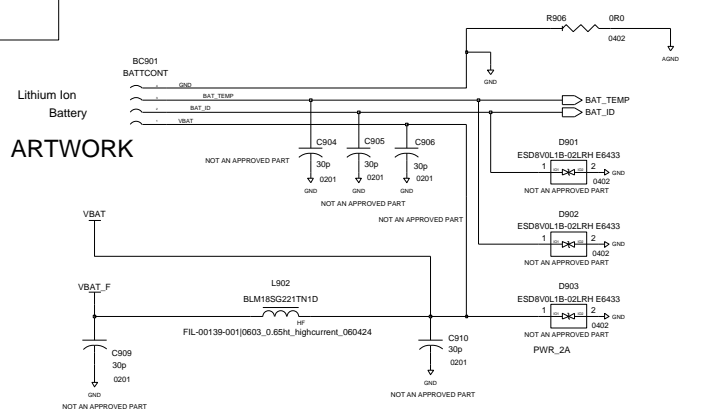


CHARGING CONTACTS



Lithium Ion Battery

ARTWORK



RESEARCH IN MOTION CONFIDENTIAL

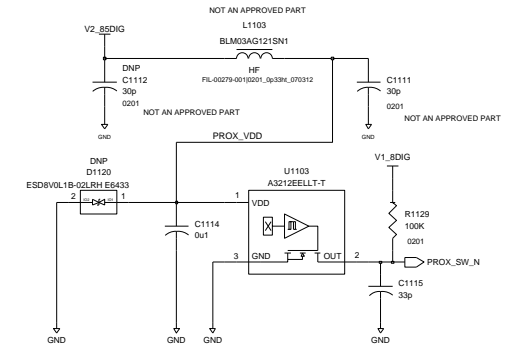
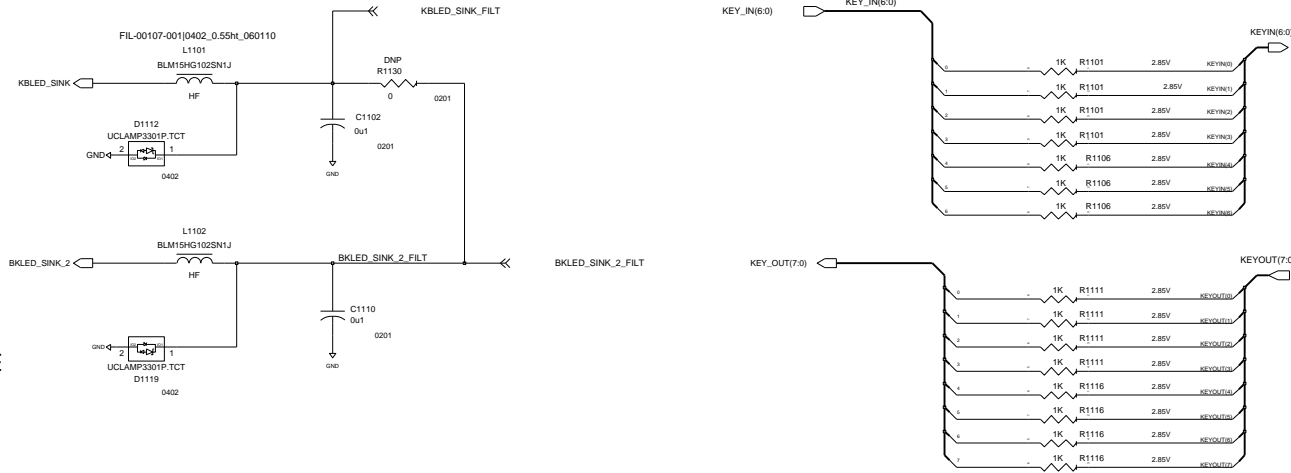
HIERARCHICAL BLOCK BAT_CHG2		COPYRIGHT 2009, RESEARCH IN MOTION LIMITED 295 PHILLIP ST. WATERLOO, ONTARIO, CANADA PHONE: (519) 888-7465, FAX (519) 888-6306	
DRAWN BY Mauricio Flores		TITLE Gemini - noGPS yesWiFi-Main Board	
R&D CHECK		(uses: PCB-21175-006)	
MFG CHECK		SIZE DRAWING No. SCH-21408-004	
Edi Led Bu: maflores		C REV 3 SHEET 9 OF 19	
Last Ed: Jul 22, 2009, 5:29:18 pm			



### KEYBOARD CONNECTOR

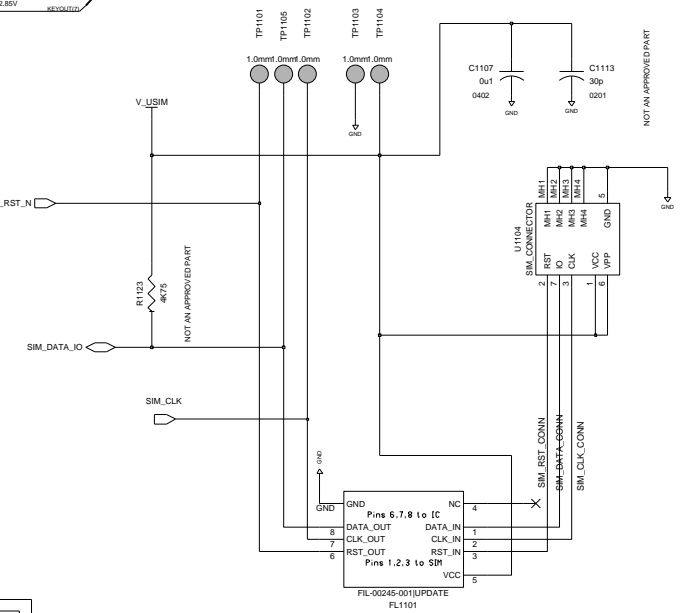
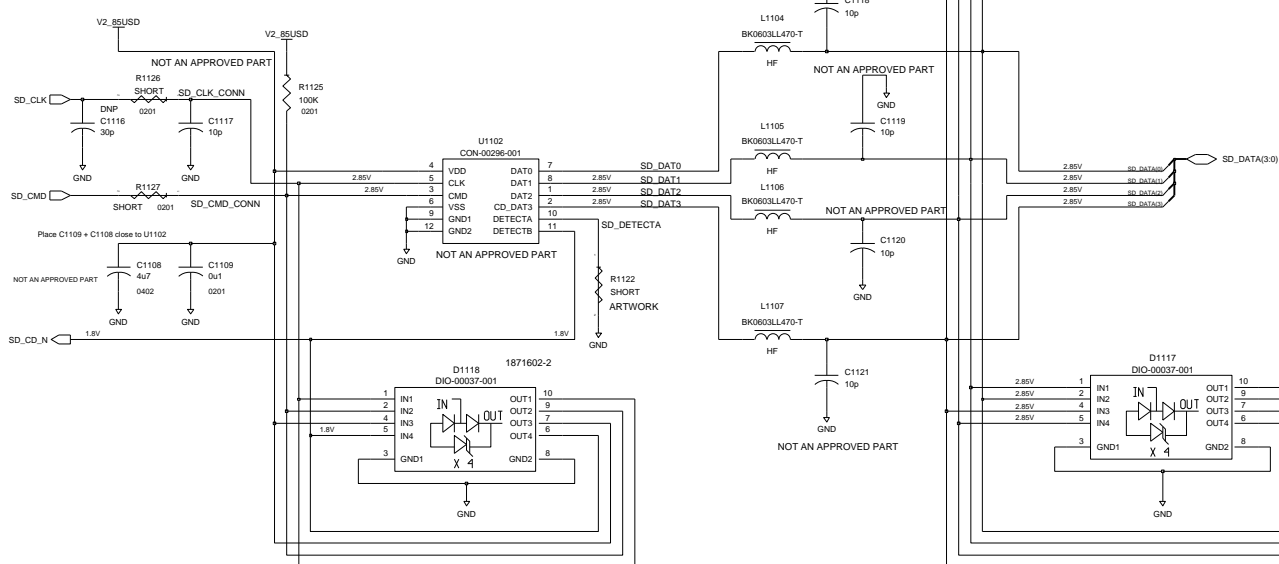
### MENTOR

### HALL-EFFECT SENSOR



### SIM CONNECTOR

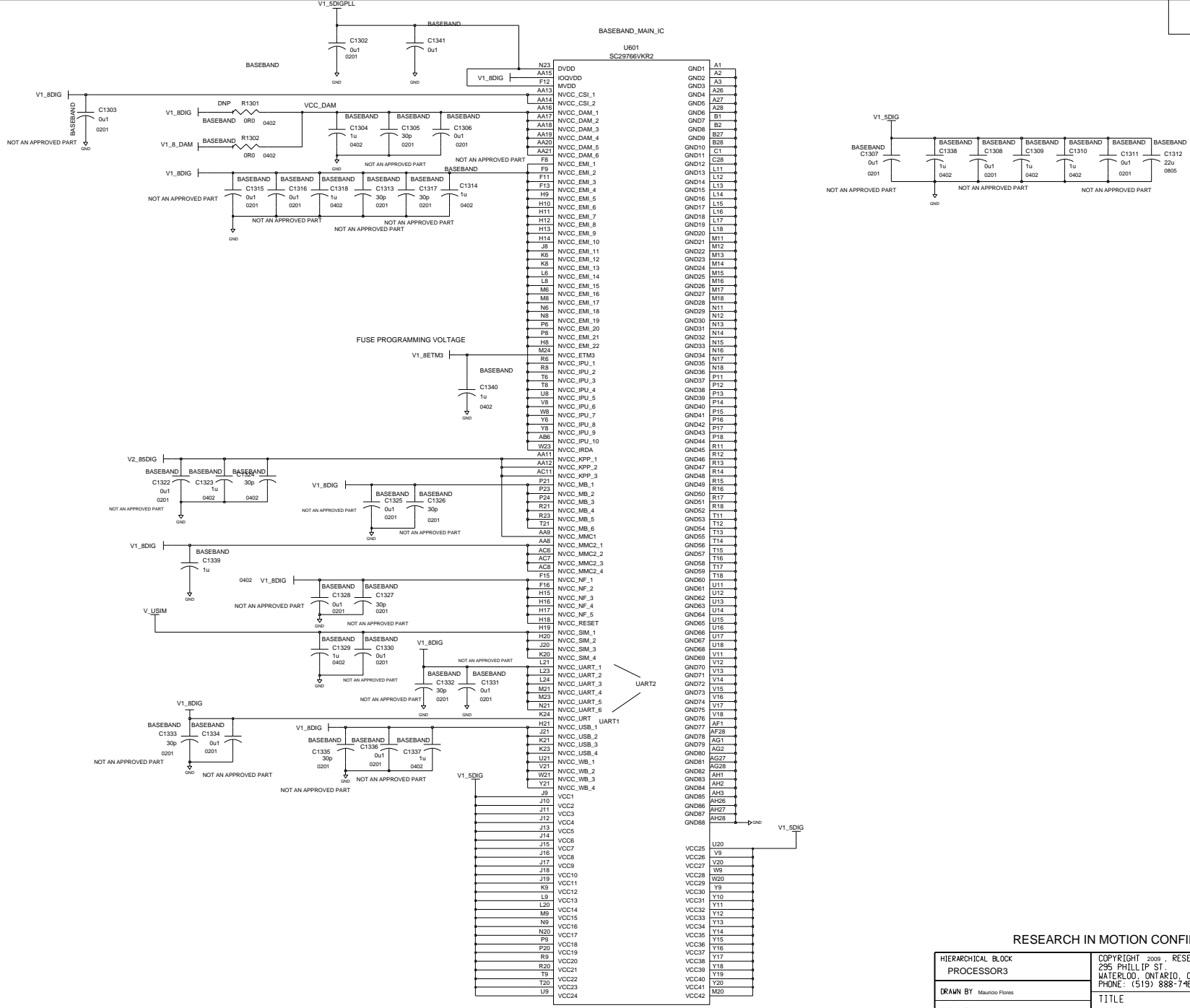
### MicroSD Connector



### RESEARCH IN MOTION CONFIDENTIAL

HIERARCHICAL BLOCK KEYBRD_SD_SIM		COPYRIGHT 2009, RESEARCH IN MOTION LIMITED 295 PHILLIP ST. WATERLOO, ONTARIO, CANADA PHONE: (519) 888-7465, FAX (519) 888-6306	
DRAWN BY Mauricio Flores		TITLE Gemini - noGPS yesWiFi-Main Board	
R&D CHECK		(uses: PCB-21175-006)	
MFG CHECK		SIZE DRAWING No. SCH-21408-004	
Edi Led Bu: maflores		C REV 3 SHEET 11 OF 19	
Level: Edi L1: Jul 22, 2009, 5:29:47 pm			





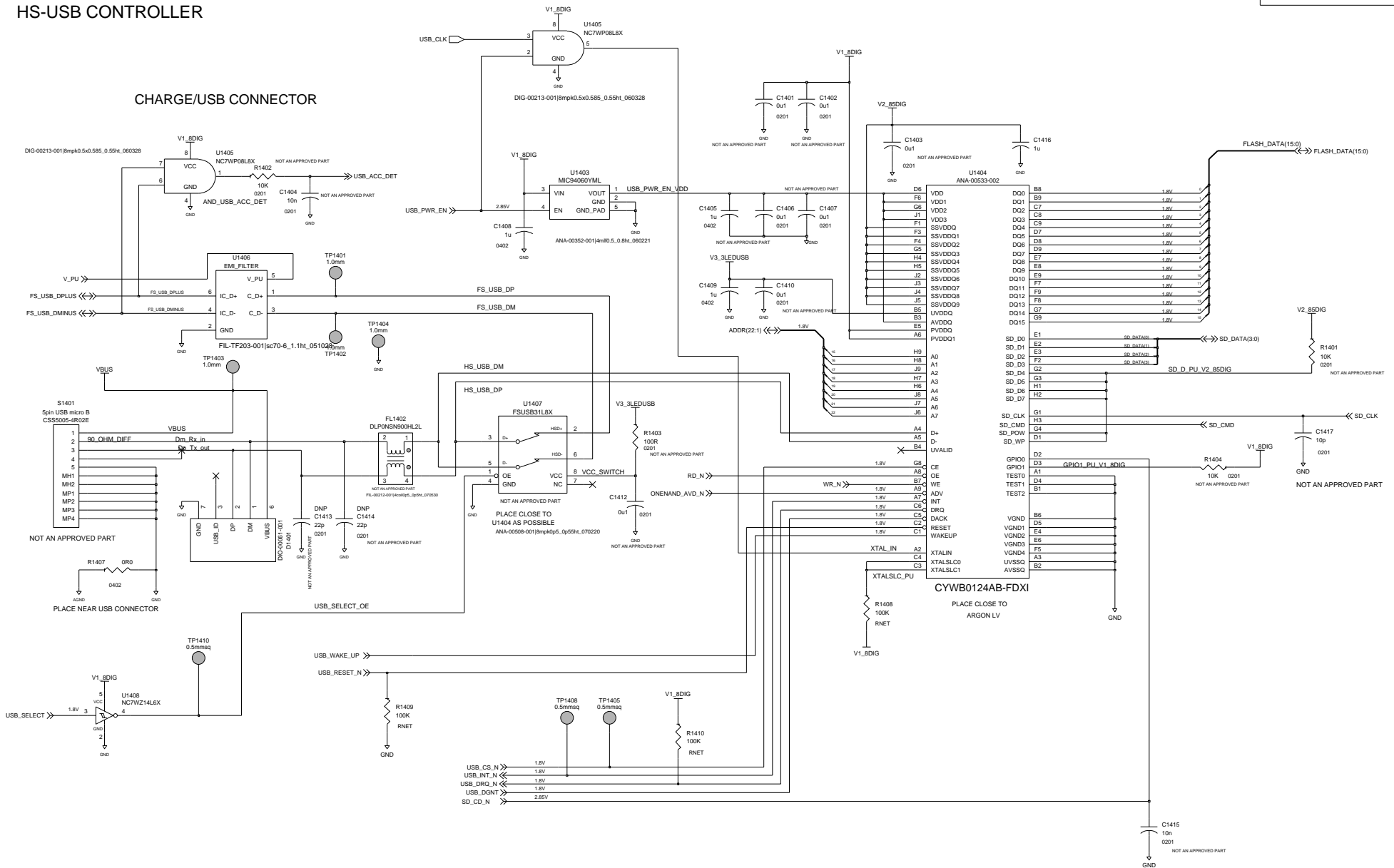
RESEARCH IN MOTION CONFIDENTIAL

HIERARCHICAL BLOCK PROCESSORS	COPYRIGHT 2009, RESEARCH IN MOTION LIMITED 295 PHILLIP ST. WATERLOO, ONTARIO, CANADA PHONE: (519) 888-7465, FAX (519) 888-6306
DRAWN BY Mauricio Flores	TITLE Gemini - noGPS yesWiFi-Main Board (uses: PCB-21175-006)
R&D CHECK	
IFG CHECK	
Edi Led By: ediz	SIZE DRAWING No. SCH-21408-004
Label Ed1: Mar 18, 2009, 3:10:40 pm	C REV 3 SHEET 13 OF 19

NOT AN APPROVED PART

HS-USB CONTROLLER

CHARGE/USB CONNECTOR



RESEARCH IN MOTION CONFIDENTIAL

HIERARCHICAL BLOCK PROCESSOR4		COPYRIGHT 2009, RESEARCH IN MOTION LIMITED 295 PHILLIP ST. WATERLOO, ONTARIO, CANADA PHONE: (519) 888-7465, FAX (519) 888-6306	
DRAWN BY: Mauricio Flores		TITLE Gemini - noGPS yesWiFi-Main Board	
R&D CHECK		(uses: PCB-21175-006)	
MFG CHECK		SIZE DRAWING No. SCH-21408-004	
Edi Led Bu: ediaz		C REV 3 SHEET 14 OF 19	
Level: Ed1:1 Apr 1, 2009, 1:45:13 pm			



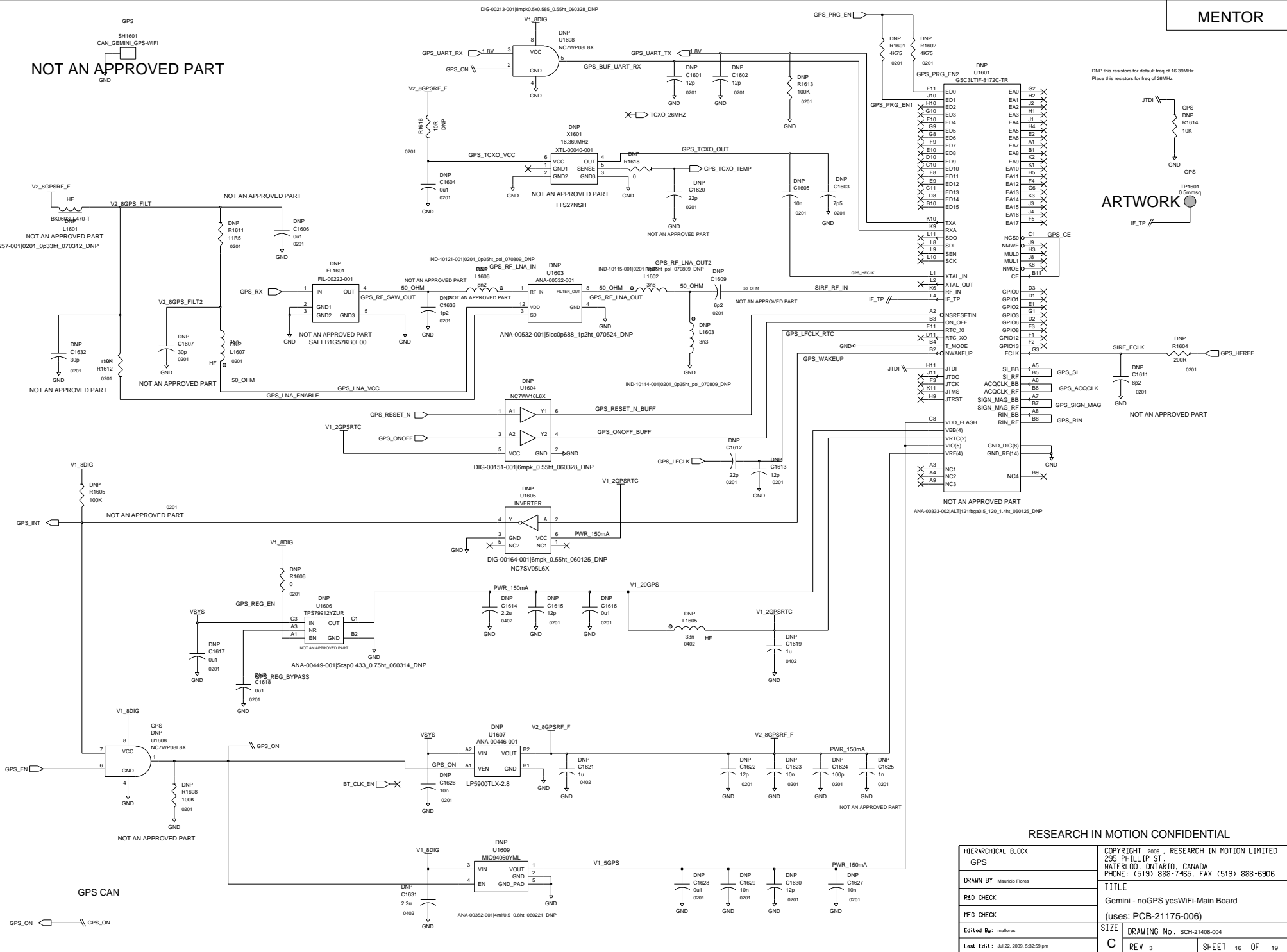
NOT AN APPROVED PART

DNP this resistors for default freq of 16.39MHz  
Place this resistors for freq of 26MHz

ARTWORK

RESEARCH IN MOTION CONFIDENTIAL

HIERARCHICAL BLOCK GPS		COPYRIGHT 2009, RESEARCH IN MOTION LIMITED 295 PHILLIP ST. WATERLOO, ONTARIO, CANADA PHONE: (519) 888-7465, FAX (519) 888-6306	
DRAWN BY Mauricio Flores		TITLE Gemini - noGPS yesWiFi-Main Board	
R&D CHECK		(uses: PCB-21175-006)	
MFG CHECK		SIZE Edi Led Bu: mafiores	
Edi Led Bu: mafiores		DRAWING No. SCH-21408-004	
Last Ed: Jul 22, 2009, 5:32:59 pm		REV 3 SHEET 16 OF 19	



4

3

2

1

4

3

2

1

D

D

C

C

B

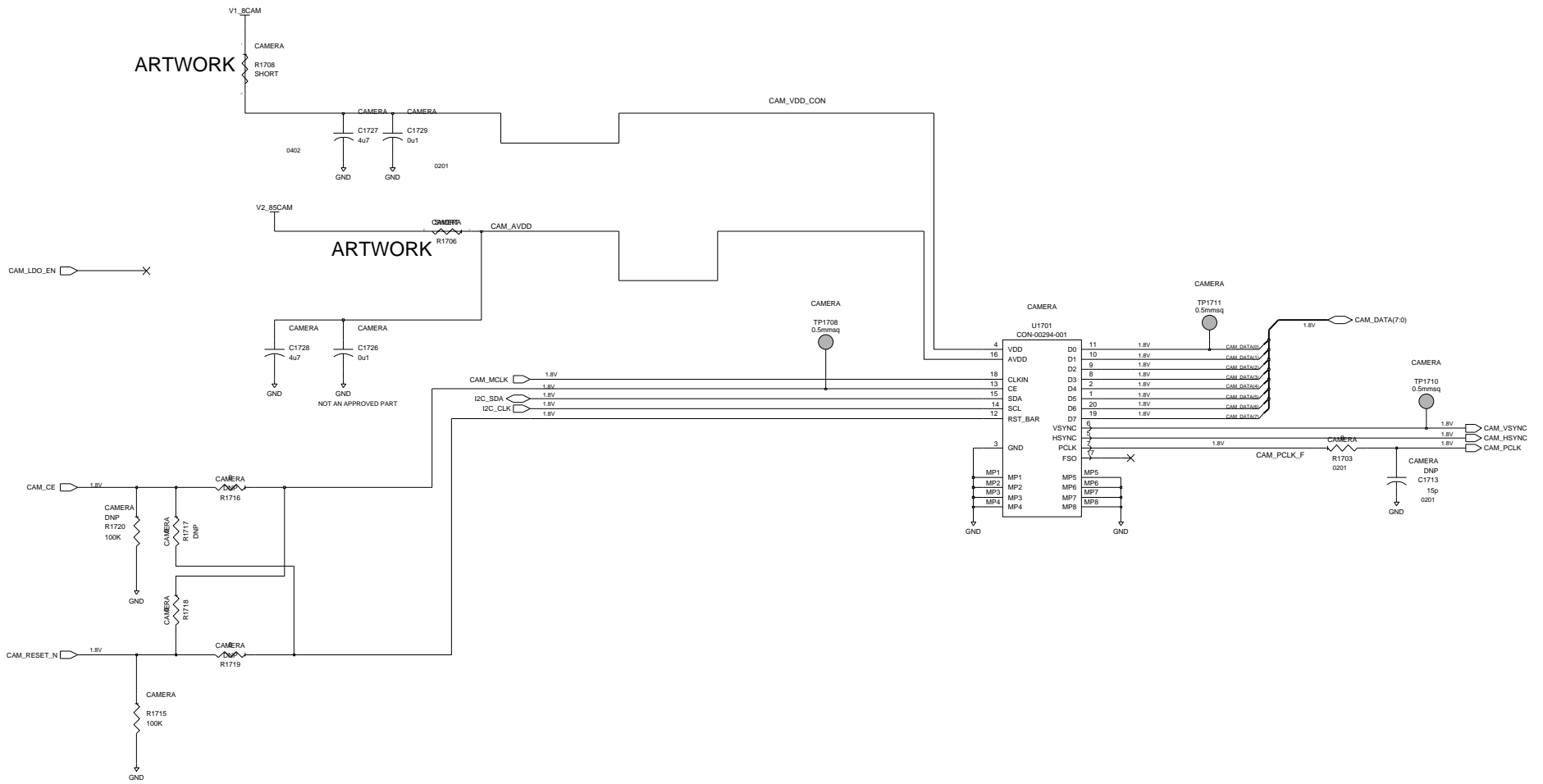
B

A

A

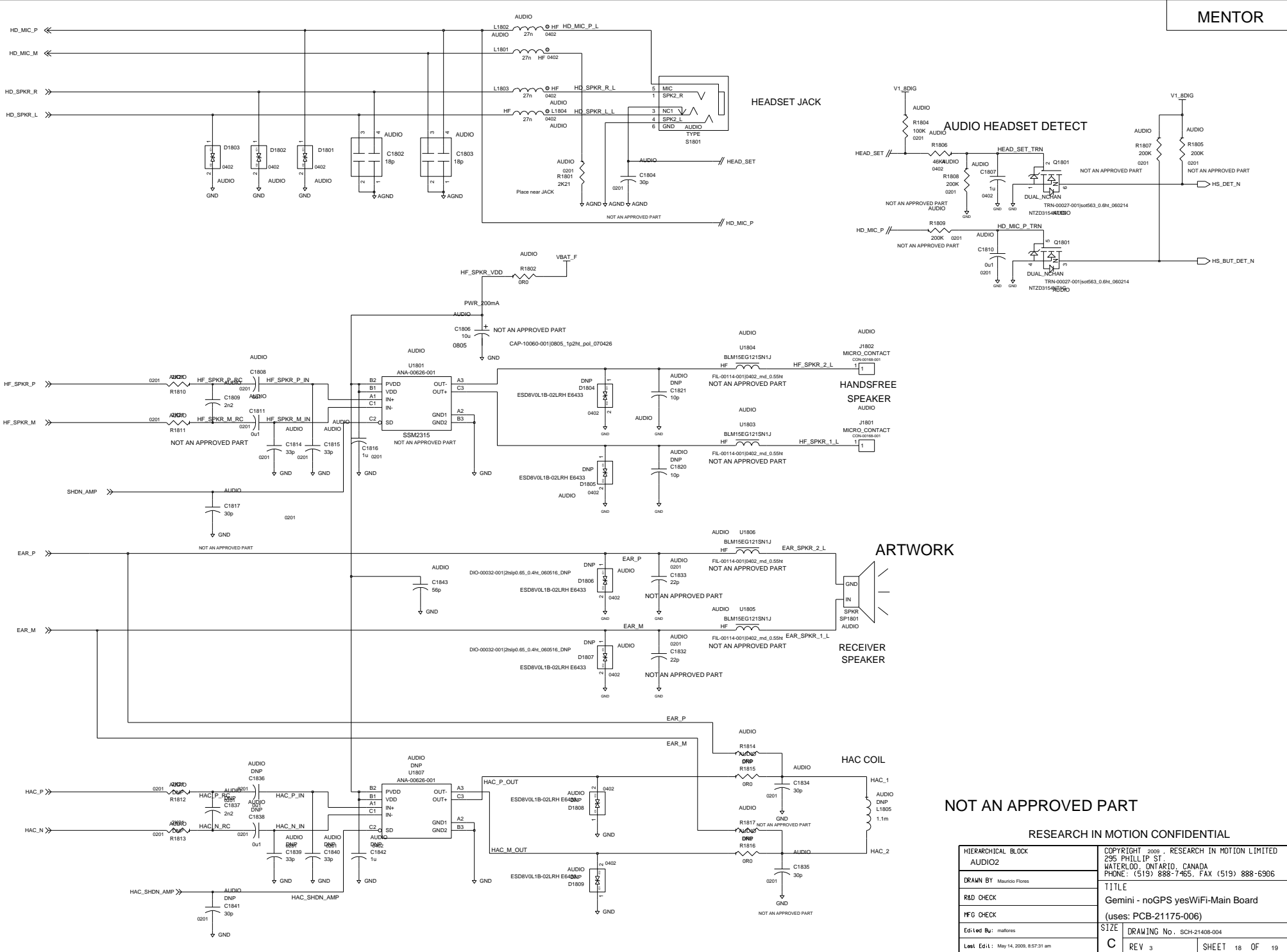


### 2MP SoC CAMERA SOCKET



RESEARCH IN MOTION CONFIDENTIAL

HIERARCHICAL BLOCK JOINTERFACES		COPYRIGHT 2009, RESEARCH IN MOTION LIMITED 295 PHILLIP ST. WATERLOO, ONTARIO, CANADA PHONE: (519) 888-7465, FAX (519) 888-6306	
DRAWN BY: Mauricio Flores		TITLE	
R&D CHECK		Gemini - noGPS yesWiFi-Main Board	
MFG CHECK		(uses: PCB-21175-006)	
Edi Led Bu: mafiores		SIZE	DRAWING No. SCH-21408-004
Last Ed: Apr 22, 2009, 2:24:04 pm		C	REV 3 SHEET 17 OF 19



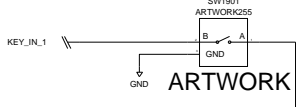
NOT AN APPROVED PART

RESEARCH IN MOTION CONFIDENTIAL

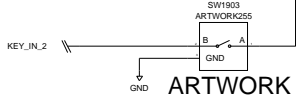
HIERARCHICAL BLOCK AUDIO2		COPYRIGHT 2009, RESEARCH IN MOTION LIMITED 295 PHILLIP ST. WATERLOO, ONTARIO, CANADA PHONE: (519) 888-7465, FAX (519) 888-6306	
DRAWN BY: Mauricio Flores		TITLE Gemini - noGPS yesWiFi-Main Board	
R&D CHECK		(uses: PCB-21175-006)	
HFG CHECK		SIZE DRAWING No. SCH-21408-004	
Edi Led By: mafiores		C	
Last Ed1: May 14, 2009, 8:57:31 am		REV 3	SHEET 18 OF 19

### SIDE KEYS

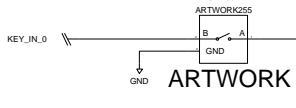
#### PLAY/PAUSE KEY



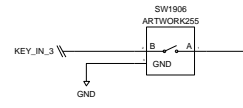
#### FORWARD KEY



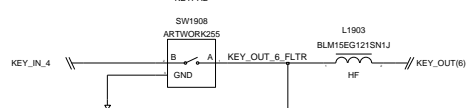
#### DOWN KEY



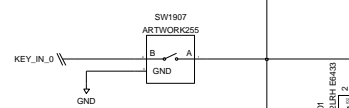
#### UP KEY



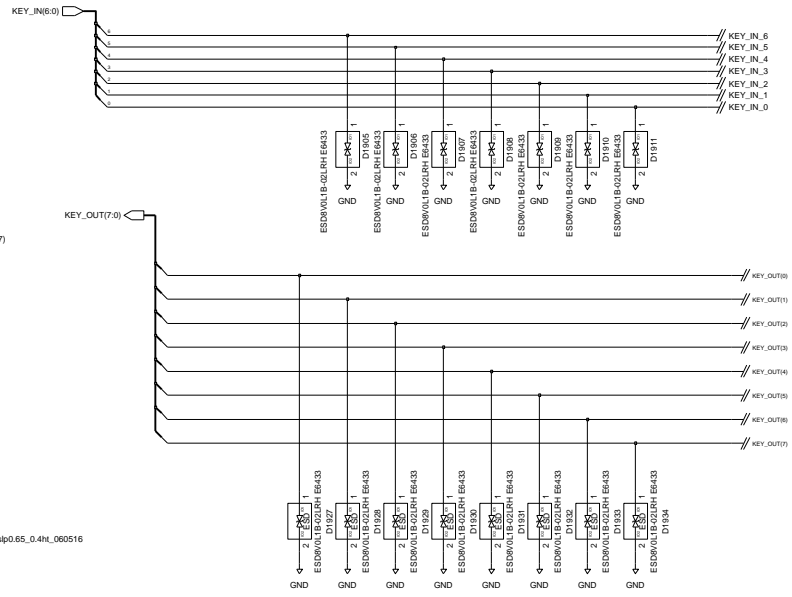
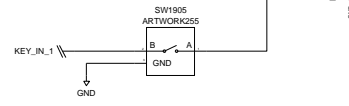
#### CAMERA SHUTTER



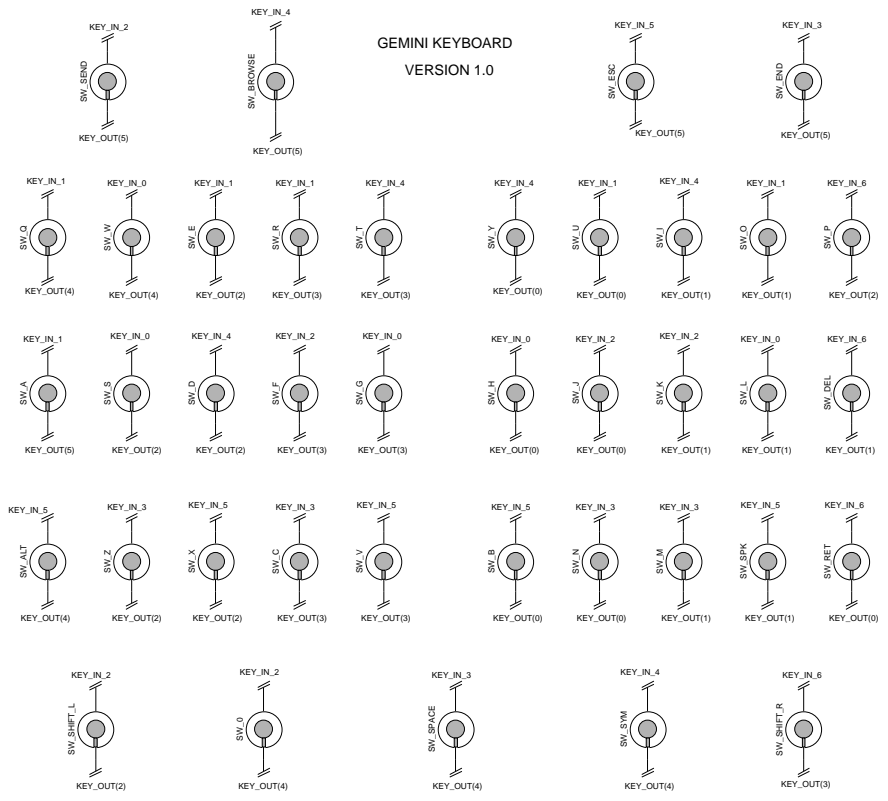
#### PTT KEY



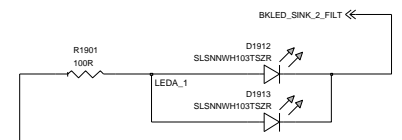
#### BACK KEY



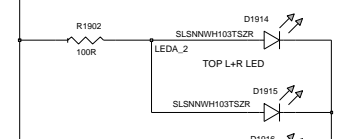
### GEMINI KEYBOARD VERSION 1.0



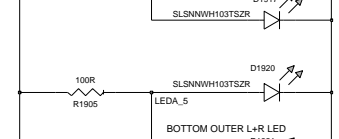
#### JOGBALL HALO RING



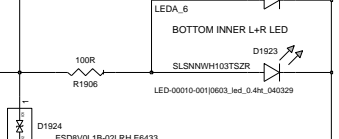
#### MIDDLE INNER L+R LED



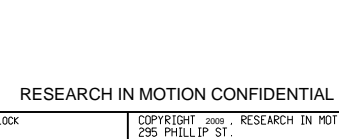
#### MIDDLE OUTER L+R LED



#### BOTTOM OUTER L+R LED



#### BOTTOM INNER L+R LED



**RESEARCH IN MOTION CONFIDENTIAL**

HIERARCHICAL BLOCK KEYBRD2		COPYRIGHT 2009, RESEARCH IN MOTION LIMITED 295 PHILLIP ST. WATERLOO, ONTARIO, CANADA PHONE: (519) 888-7465, FAX (519) 888-6306	
DRAWN BY: Mauricio Flores		TITLE Gemini - noGPS yesWiFi-Main Board	
R&D CHECK		IFG CHECK	
Edi Led Bu: ediaz		SIZE DRAWING No. SCH-21408-004	
Level: Ed1:1 Mar 20, 2009, 6:15:19 pm		C REV 3 SHEET 19 OF 19	