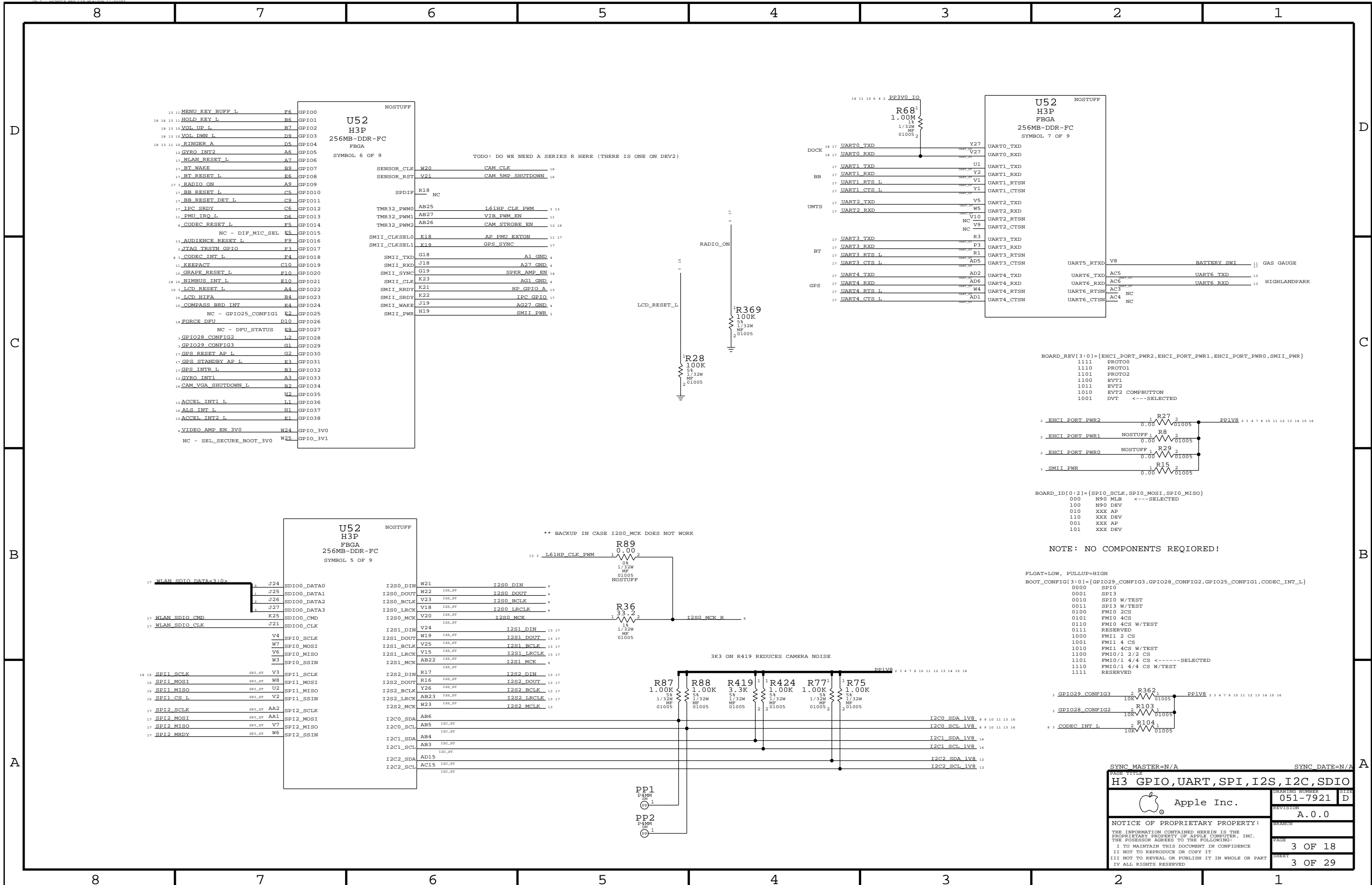


** LAYOUT (MLB): TIE TESTMODE PIN UNDER PKG

ENABLES RESET OF H3P FROM JTAG BOARD

SYNC MASTER=N/A		SYNC DATE=N/A	
PAGE TITLE H3 JTAG, USB, MISC			
DRAWING NUMBER 051-7921		SIZE D	
REVISION A.0.0		BRANCH	
NOTICE OF PROPRIETARY PROPERTY: THE INFORMATION CONTAINED HEREIN IS THE PROPRIETARY PROPERTY OF APPLE COMPUTER, INC. THE POSSESSOR AGREES TO THE FOLLOWING: I TO MAINTAIN THIS DOCUMENT IN CONFIDENCE II NOT TO REPRODUCE OR COPY IT III NOT TO REVEAL OR PUBLISH IT IN WHOLE OR PART IV ALL RIGHTS RESERVED			
PAGE 2 OF 18		SHEET 2 OF 29	



TODO: DO WE NEED A SERIES R HERE (THERE IS ONE ON DEV2)

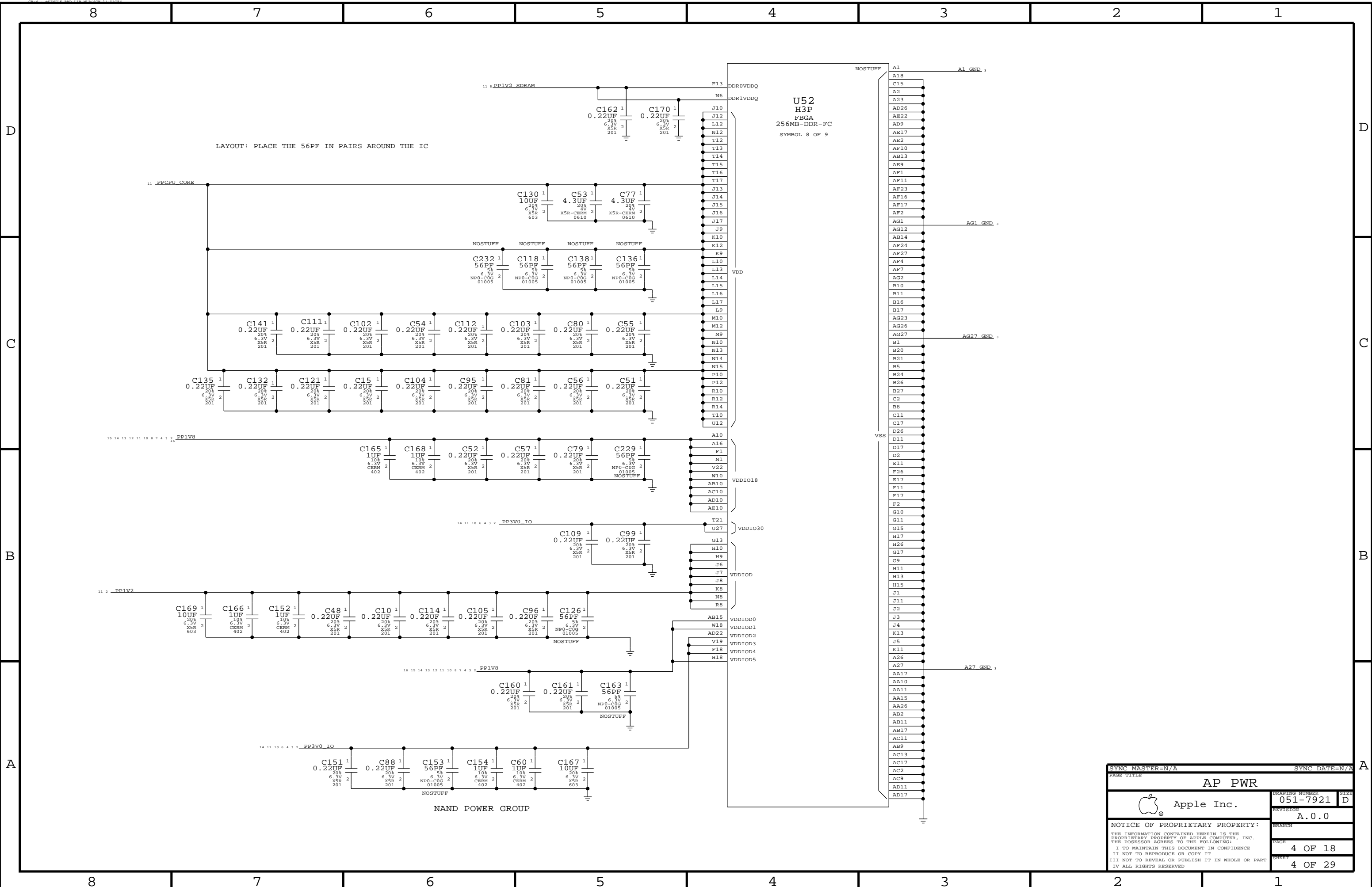
```
BOARD_REV[3:0]={EHCI_PORT_PWR2,EHCI_PORT_PWR1,EHCI_PORT_PWR0,SMII_PWR}
1111 PROTO0
1110 PROTO1
1101 PROTO2
1100 EVT1
1011 EVT2
1010 EVT2 COMBUTTON
1001 DVT <---SELECTED
```

```
BOARD_ID[0:2]={SPI0_SCLK,SPI0_MOSI,SPI0_MISO}
000 N90 MLB <---SELECTED
100 N90 DEV
010 XXX AP
110 XXX DEV
001 XXX AP
101 XXX DEV
```

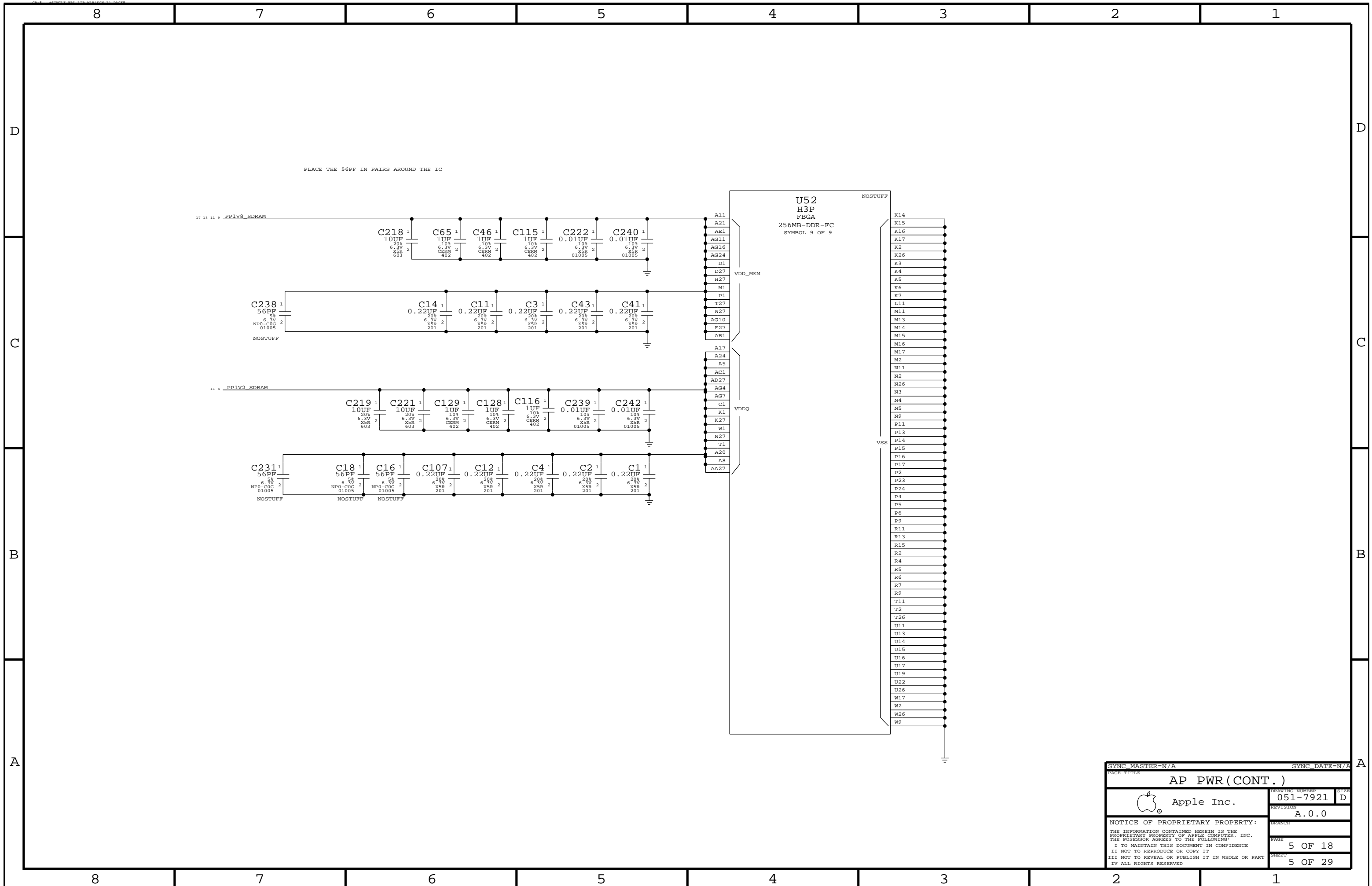
NOTE: NO COMPONENTS REQIOERD!

```
FLOAT=LOW, PULLUP=HIGH
BOOT_CONFIG[3:0]={GPIO29_CONFIG3,GPIO28_CONFIG2,GPIO25_CONFIG1,CODEC_INT_L}
0000 SPI0
0001 SPI3
0010 SPI0 W/TEST
0011 SPI3 W/TEST
0100 FMIO 2CS
0101 FMIO 4CS
0110 FMIO 4CS W/TEST
0111 RESERVED
1000 FM11 2 CS
1001 FM11 4 CS
1010 FM11 4CS W/TEST
1100 FMIO/1 2/2 CS
1101 FMIO/1 4/4 CS <---SELECTED
1110 FMIO/1 4/4 CS W/TEST
1111 RESERVED
```

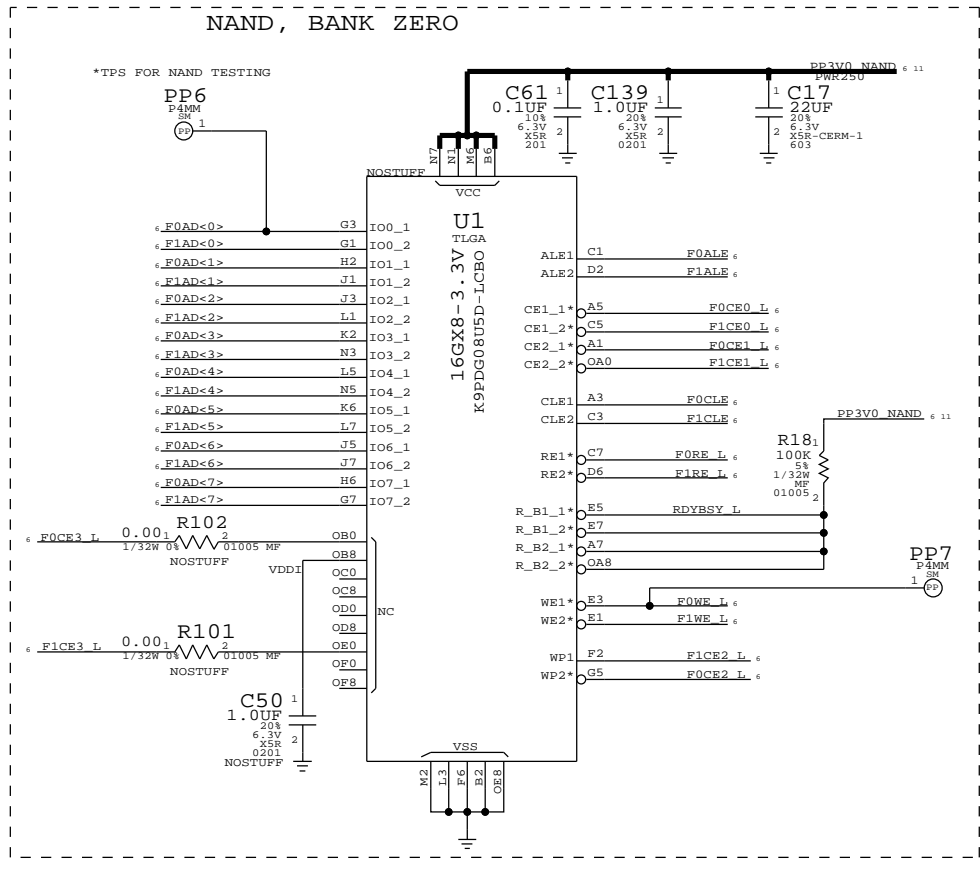
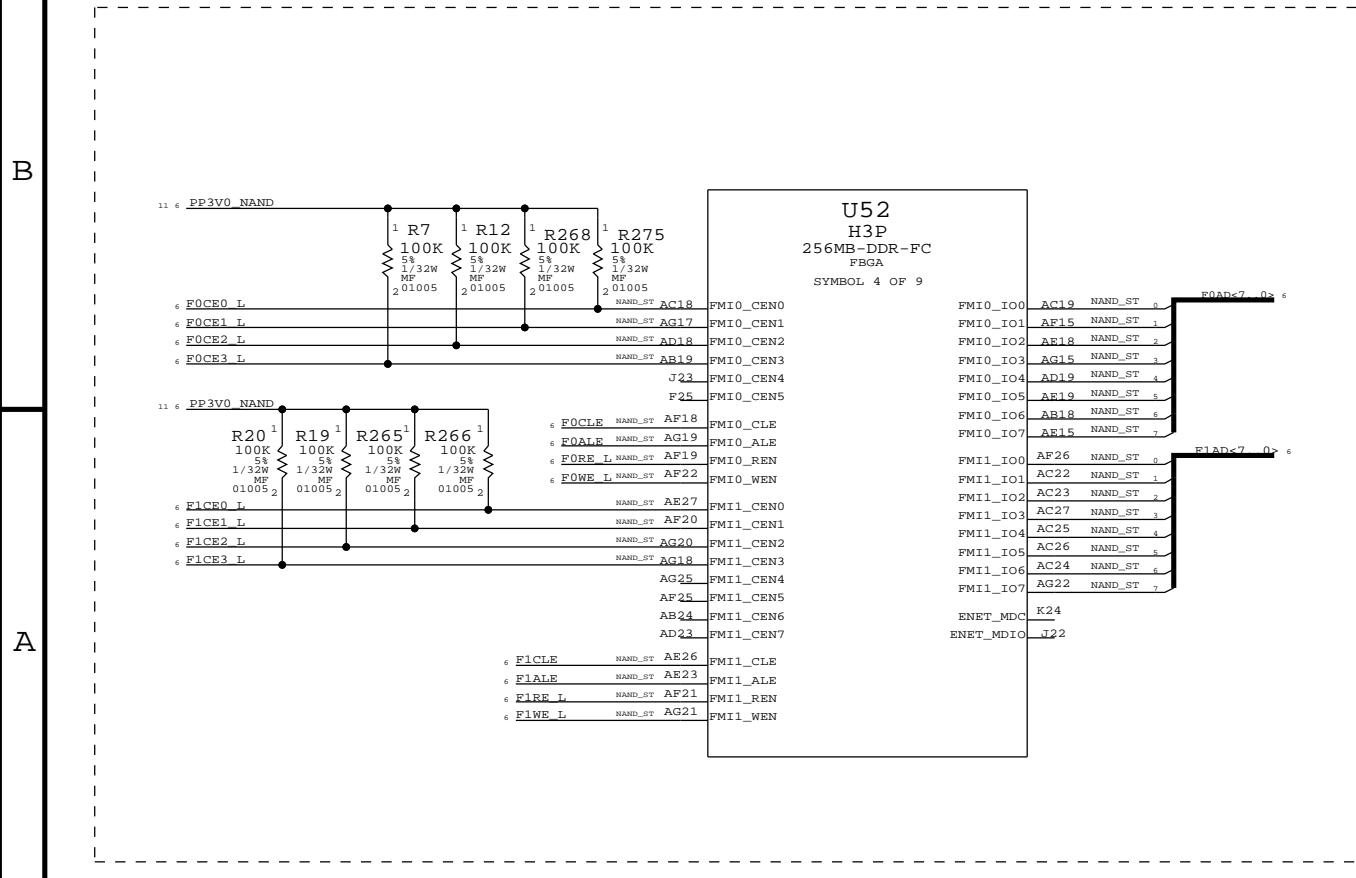
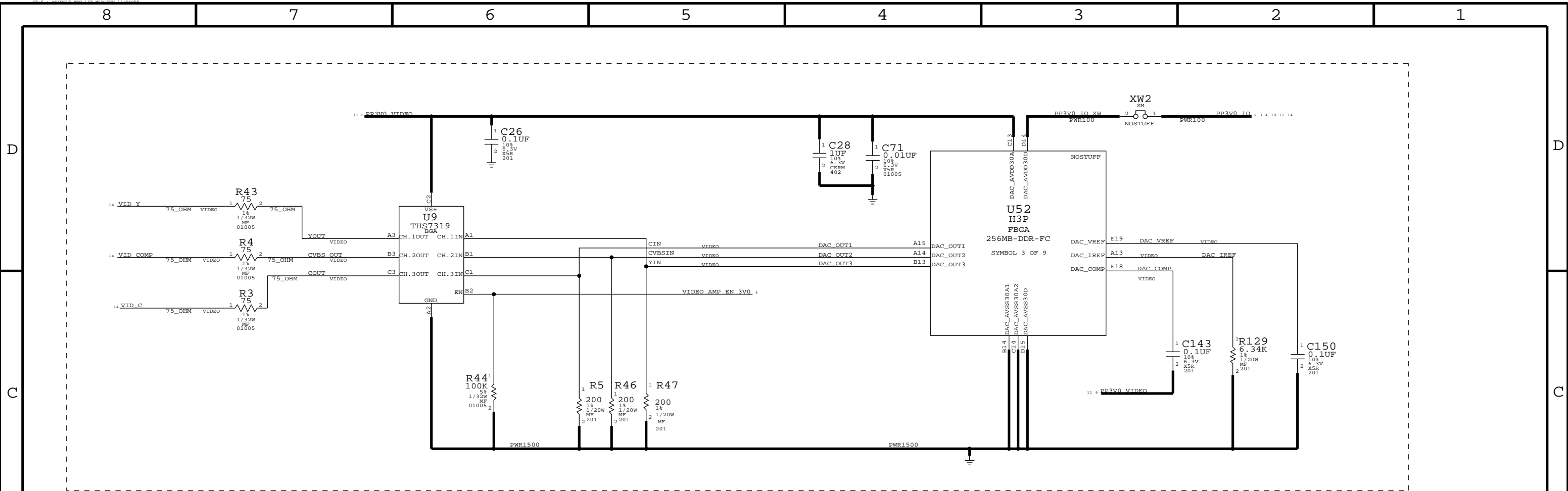
PAGE TITLE		SYNC DATE=N/A	
H3 GPIO, UART, SPI, I2S, I2C, SDIO			
DRAWING NUMBER		SIZE	
051-7921		D	
REVISION			
A.0.0			
NOTICE OF PROPRIETARY PROPERTY:			
THE INFORMATION CONTAINED HEREIN IS THE PROPRIETARY PROPERTY OF APPLE COMPUTER, INC. THE POSSESSOR AGREES TO THE FOLLOWING:			
I TO MAINTAIN THIS DOCUMENT IN CONFIDENCE			
II NOT TO REPRODUCE OR COPY IT			
III NOT TO REVEAL OR PUBLISH IT IN WHOLE OR PART			
IV ALL RIGHTS RESERVED			
PAGE		SHEET	
3 OF 18		3 OF 29	



SYNC MASTER=N/A		SYNC DATE=N/A	
AP PWR			
Apple Inc.		DRAWING NUMBER	SIZE
		051-7921	D
		REVISION	
		A.0.0	
NOTICE OF PROPRIETARY PROPERTY:			
THE INFORMATION CONTAINED HEREIN IS THE PROPRIETARY PROPERTY OF APPLE COMPUTER, INC. THE POSSESSOR AGREES TO THE FOLLOWING:			
I TO MAINTAIN THIS DOCUMENT IN CONFIDENCE			
II NOT TO REPRODUCE OR COPY IT			
III NOT TO REVEAL OR PUBLISH IT IN WHOLE OR PART			
IV ALL RIGHTS RESERVED			
PAGE	4 OF 18		
SHEET	4 OF 29		



SYNC MASTER=N/A		SYNC DATE=N/A	
PAGE TITLE			
AP PWR (CONT.)			
		DRAWING NUMBER	051-7921
		REVISION	A.0.0
NOTICE OF PROPRIETARY PROPERTY:			
THE INFORMATION CONTAINED HEREIN IS THE PROPRIETARY PROPERTY OF APPLE COMPUTER, INC. THE POSSESSOR AGREES TO THE FOLLOWING: I TO MAINTAIN THIS DOCUMENT IN CONFIDENCE II NOT TO REPRODUCE OR COPY IT III NOT TO REVEAL OR PUBLISH IT IN WHOLE OR PART IV ALL RIGHTS RESERVED			
PAGE		5 OF 18	
SHEET		5 OF 29	



SYNC MASTER=N/A		SYNC DATE=N/A	
PAGE TITLE			
ANALOG VIDEO,H3 NAND, NAND			
DRAWING NUMBER		051-7921	SIZE
REVISION		A.0.0	
BRANCH			
PAGE		6 OF 18	
SHEET		6 OF 29	
NOTICE OF PROPRIETARY PROPERTY: THE INFORMATION CONTAINED HEREIN IS THE PROPRIETARY PROPERTY OF APPLE COMPUTER, INC. THE POSSESSOR AGREES TO THE FOLLOWING: I TO MAINTAIN THIS DOCUMENT IN CONFIDENCE II NOT TO REPRODUCE OR COPY IT III NOT TO REVEAL OR PUBLISH IT IN WHOLE OR PART IV ALL RIGHTS RESERVED			

D

C

B

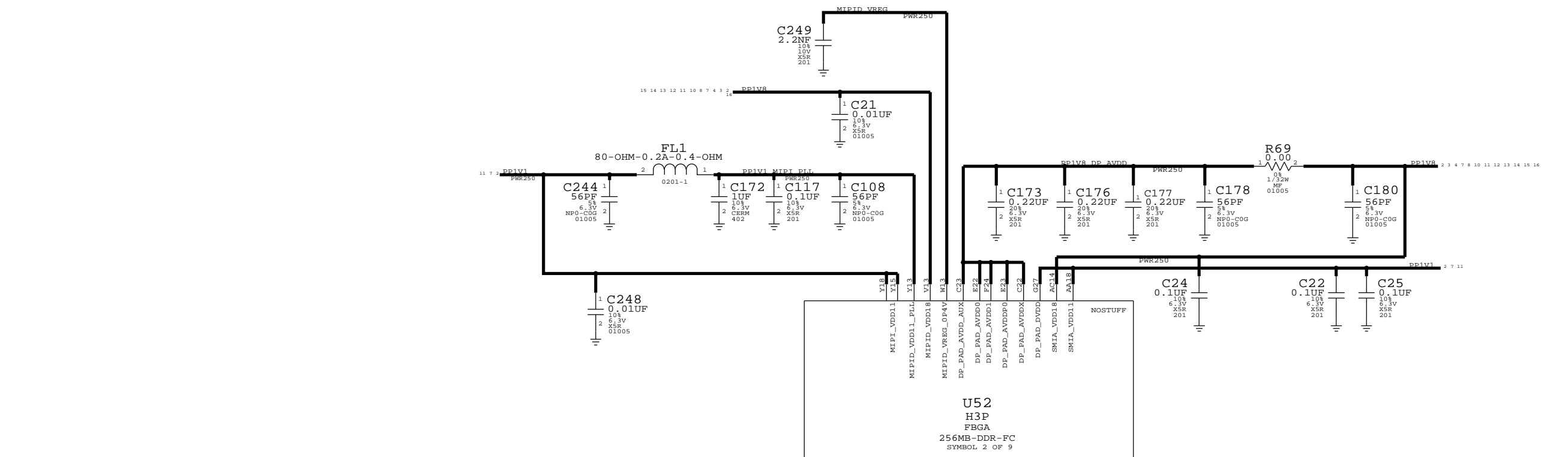
A

D

C

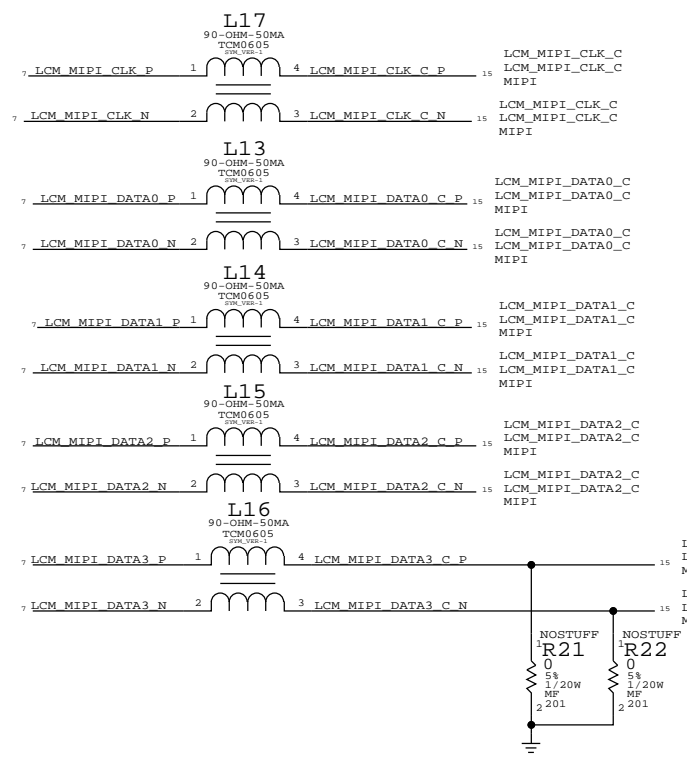
B

A



NC	AG13	MIPI_VSYNC
7	LCM_MIPI_DATA0_P	AG3 MIPI_DPDATA0
7	LCM_MIPI_DATA0_N	AF3 MIPI_DNDATA0
7	LCM_MIPI_DATA1_P	AE6 MIPI_DPDATA1
7	LCM_MIPI_DATA1_N	AE5 MIPI_DNDATA1
7	LCM_MIPI_DATA2_P	AG6 MIPI_DPDATA2
7	LCM_MIPI_DATA2_N	AF6 MIPI_DNDATA2
7	LCM_MIPI_DATA3_P	AF8 MIPI_DPDATA3
7	LCM_MIPI_DATA3_N	AG8 MIPI_DNDATA3
7	LCM_MIPI_CLK_P	AF5 MIPI_DPCLK
7	LCM_MIPI_CLK_N	AG5 MIPI_DNCLK
16	CAM_MIPI_DATA0_P	AG9 MIPIC_DPDATA0
16	CAM_MIPI_DATA0_N	AF9 MIPIC_DNDATA0
16	CAM_MIPI_DATA1_P	AF13 MIPIC_DPDATA1
16	CAM_MIPI_DATA1_N	AF12 MIPIC_DNDATA1
16	CAM_MIPI_CLK_P	AE13 MIPIC_DPCLK
16	CAM_MIPI_CLK_N	AE14 MIPIC_DNCLK

SWI_DATA	AA19	SWI_BLCCTRL	11
DP_HPD	R19	DP_HPD	14
DP_PAD_AUXP	E27	DP_AUX_P	14
DP_PAD_AUXN	E26	DP_AUX_N	14
DP_PAD_DC_TP	A22 NC		
DP_PAD_R_BIAS	E25		
DP_PAD_TX0+	C27	DP_DATA0_P	14
DP_PAD_TX0-	C26	DP_DATA0_N	14
DP_PAD_TX1+	A25	DP_DATA1_P	14
DP_PAD_TX1-	B25	DP_DATA1_N	14
SMIA_RX_DATA+	AD14	SMIA_DATA_P	16
SMIA_RX_DATA-	AD13	SMIA_DATA_N	16
SMIA_RX_CLK+	AF14	SMIA_CLK_P	16
SMIA_RX_CLK-	AG14	SMIA_CLK_N	16



SYNC MASTER=N/A SYNC DATE=N/A

H3 MIPI, DPORT, SMIA

Apple Inc.

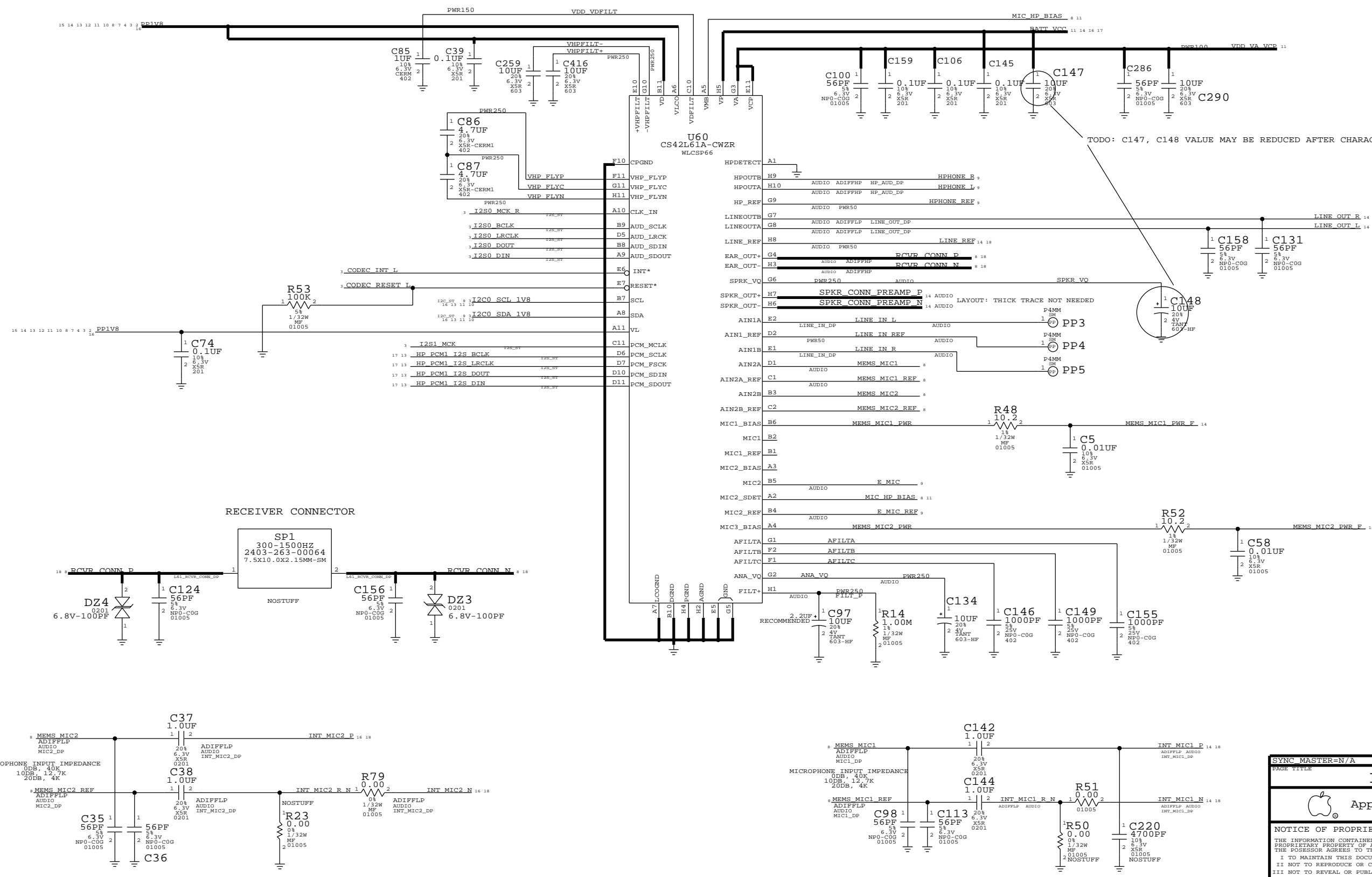
DRAWING NUMBER: 051-7921
REVISION: A.0.0

NOTICE OF PROPRIETARY PROPERTY:
THE INFORMATION CONTAINED HEREIN IS THE PROPRIETARY PROPERTY OF APPLE COMPUTER, INC. THE POSSESSOR AGREES TO THE FOLLOWING:
I TO MAINTAIN THIS DOCUMENT IN CONFIDENCE
II NOT TO REPRODUCE OR COPY IT
III NOT TO REVEAL OR PUBLISH IT IN WHOLE OR PART
IV ALL RIGHTS RESERVED

PAGE: 7 OF 18
SHEET: 7 OF 29

L61 AUDIO INTERFACE

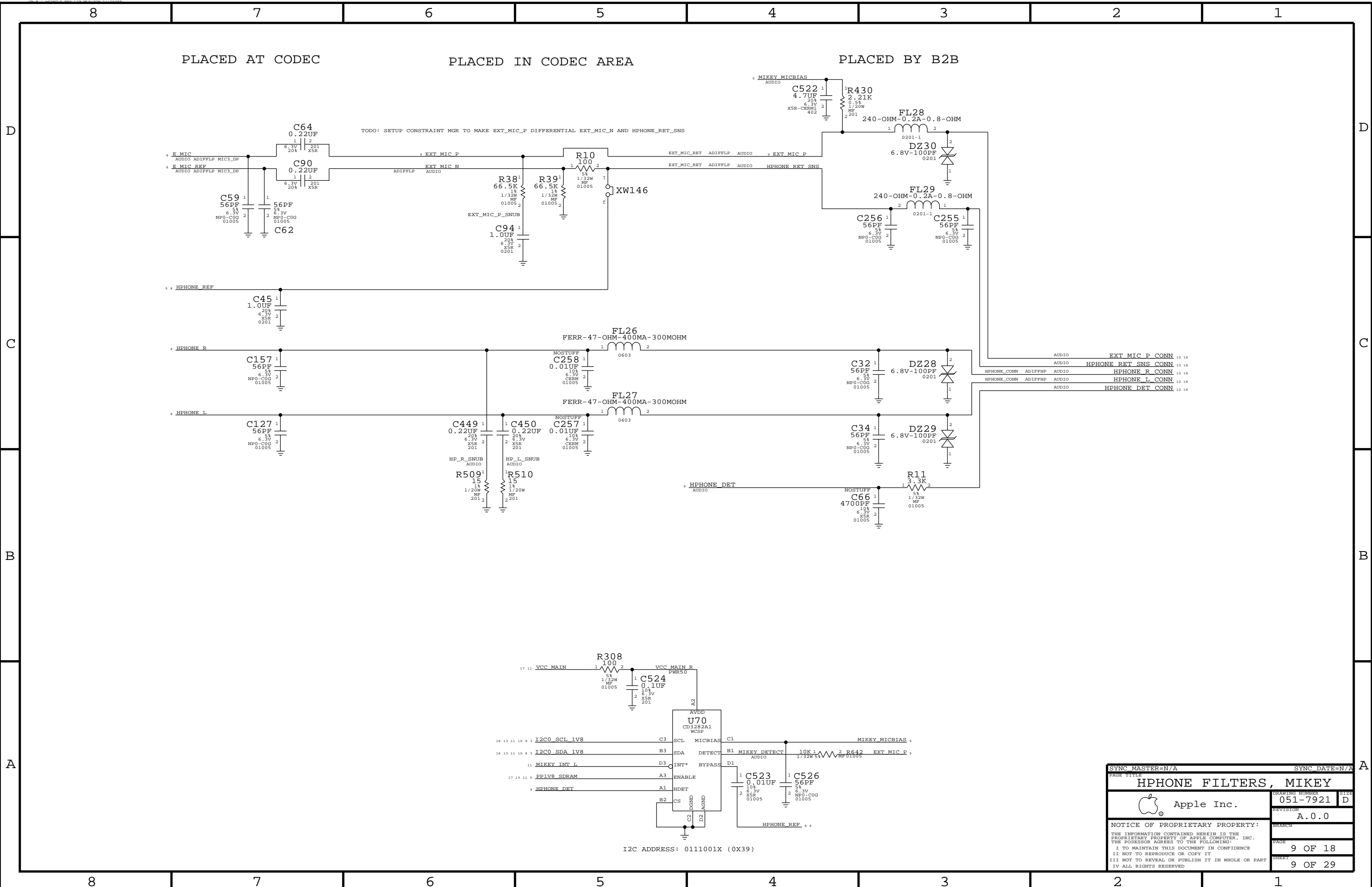
I2C ADDRESS: 1001010X



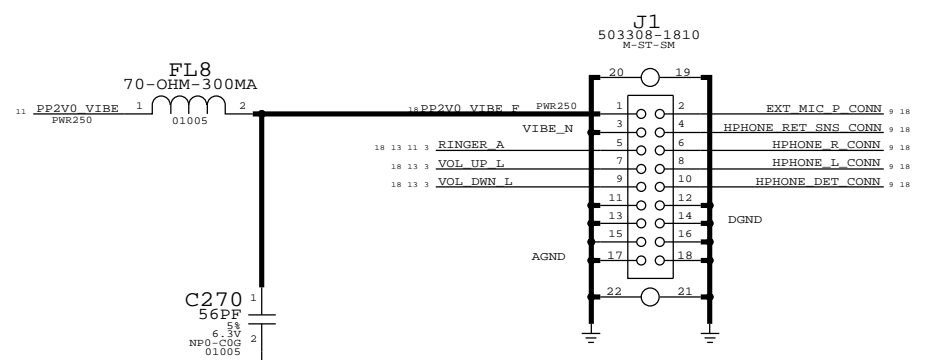
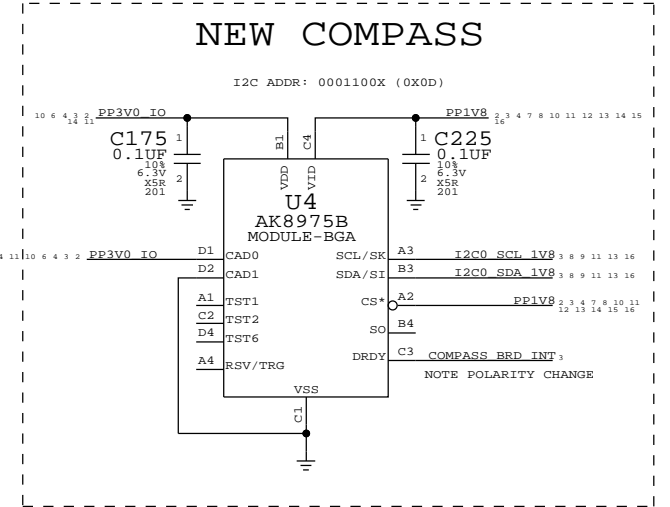
TODO: C147, C148 VALUE MAY BE REDUCED AFTER CHARACTERIZATION

LAYOUT: THICK TRACE NOT NEEDED

SYNC MASTER=N/A		SYNC DATE=N/A	
L61 CODEC			
Apple Inc.		DRAWING NUMBER	051-7921
		REVISION	A.0.0
		BRANCH	
		PAGE	8 OF 18
		SHEET	8 OF 29
NOTICE OF PROPRIETARY PROPERTY: THE INFORMATION CONTAINED HEREIN IS THE PROPRIETARY PROPERTY OF APPLE COMPUTER, INC. THE POSSESSOR AGREES TO THE FOLLOWING: I TO MAINTAIN THIS DOCUMENT IN CONFIDENCE II NOT TO REPRODUCE OR COPY IT III NOT TO REVEAL OR PUBLISH IT IN WHOLE OR PART IV ALL RIGHTS RESERVED			



SYNC MASTER=N/A		SYNC DATE=N/A	
HPHONE FILTERS, MIKEY			
DRAWING NUMBER	051-7921	SIZE	D
REVISION	A.0.0	BRANCH	
NOTICE OF PROPRIETARY PROPERTY: THE INFORMATION CONTAINED HEREIN IS THE PROPRIETARY PROPERTY OF APPLE COMPUTER, INC. THE POSSESSOR AGREES TO THE FOLLOWING: I TO MAINTAIN THIS DOCUMENT IN CONFIDENCE II NOT TO REPRODUCE OR COPY IT III NOT TO REVEAL OR PUBLISH IT IN WHOLE OR PART IV ALL RIGHTS RESERVED		PAGE	9 OF 18
		SHEET	9 OF 29



BUTTON FLEX CONNECTOR

D
C
B
A

D
C
B
A

SYNC MASTER=N/A		SYNC DATE=N/A	
PAGE TITLE BUTTON B2B, COMPASS			
DRAWING NUMBER 051-7921		SIZE D	
REVISION A.0.0		BRANCH	
NOTICE OF PROPRIETARY PROPERTY: THE INFORMATION CONTAINED HEREIN IS THE PROPRIETARY PROPERTY OF APPLE COMPUTER, INC. THE POSSESSOR AGREES TO THE FOLLOWING: I TO MAINTAIN THIS DOCUMENT IN CONFIDENCE II NOT TO REPRODUCE OR COPY IT III NOT TO REVEAL OR PUBLISH IT IN WHOLE OR PART IV ALL RIGHTS RESERVED			
PAGE 10 OF 18		SHEET 10 OF 29	

D

C

B

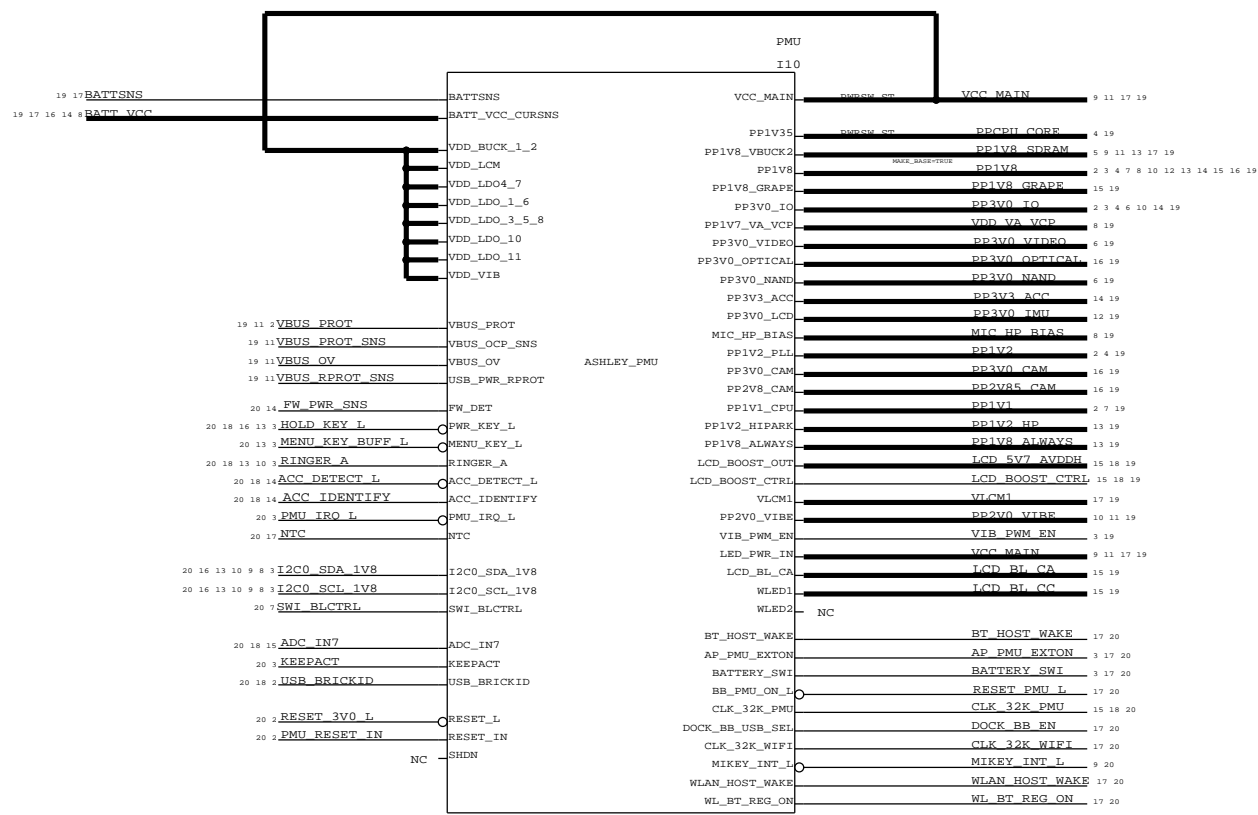
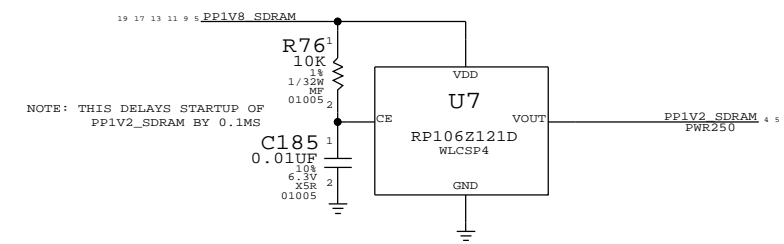
A

D

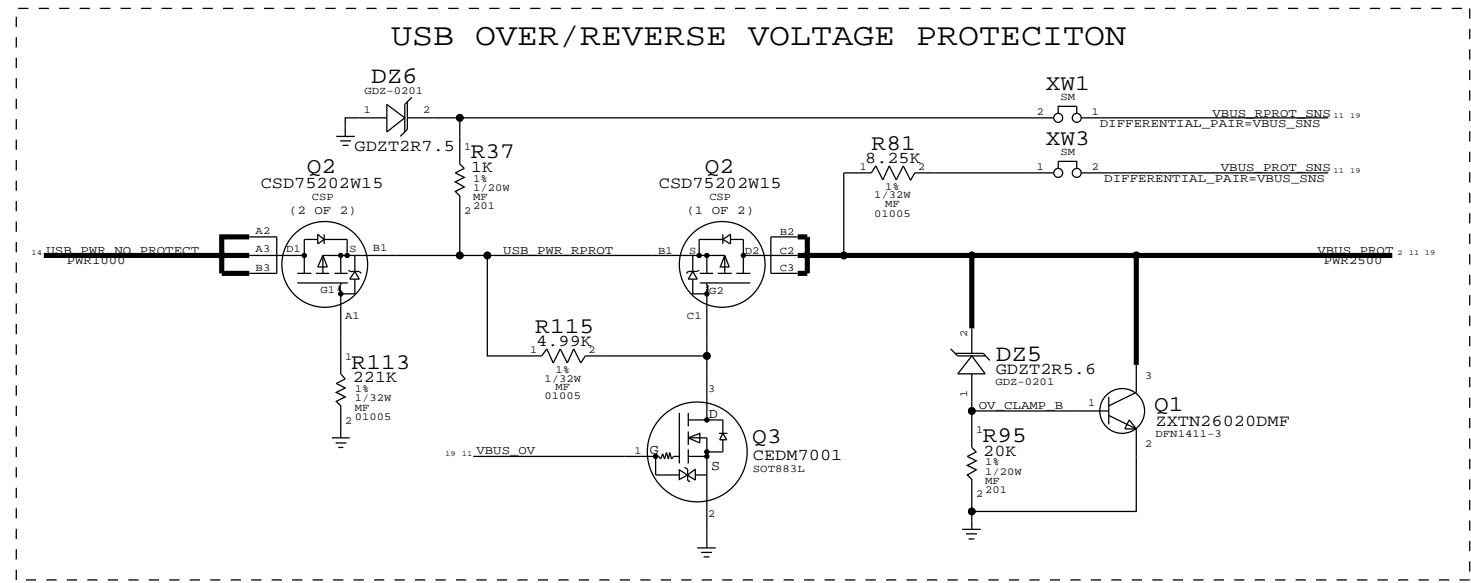
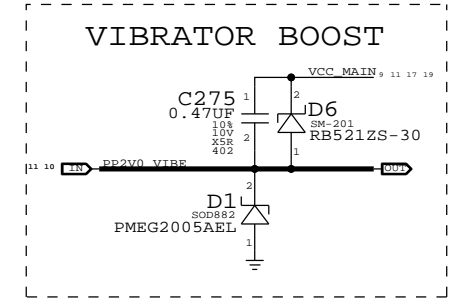
C

B

A



LOCATED ON PP 19 - 20



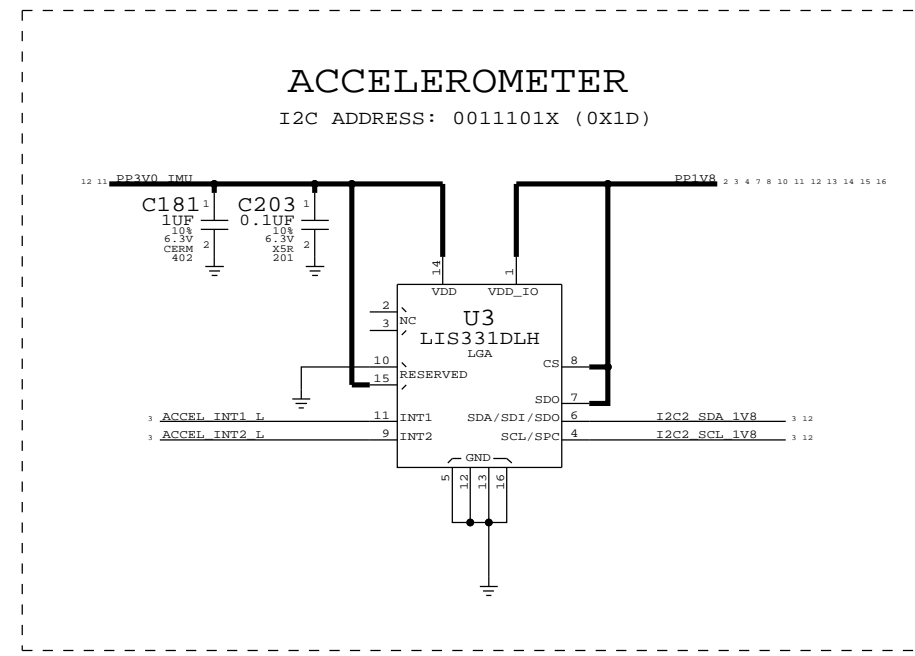
SYNC MASTER=N/A		SYNC DATE=N/A	
PAGE TITLE			
ASHLEY PMU			
Apple Inc.		DRAWING NUMBER	SIZE
Apple Inc.		051-7921	D
REVISION		A.0.0	
NOTICE OF PROPRIETARY PROPERTY:			
THE INFORMATION CONTAINED HEREIN IS THE PROPRIETARY PROPERTY OF APPLE COMPUTER, INC. THE POSSESSOR AGREES TO THE FOLLOWING:			
I TO MAINTAIN THIS DOCUMENT IN CONFIDENCE			
I NOT TO REPRODUCE OR COPY IT			
I NOT TO REVEAL OR PUBLISH IT IN WHOLE OR PART			
I ALL RIGHTS RESERVED			
PAGE		11 OF 18	
SHEET		11 OF 29	

D

D

ACCELEROMETER

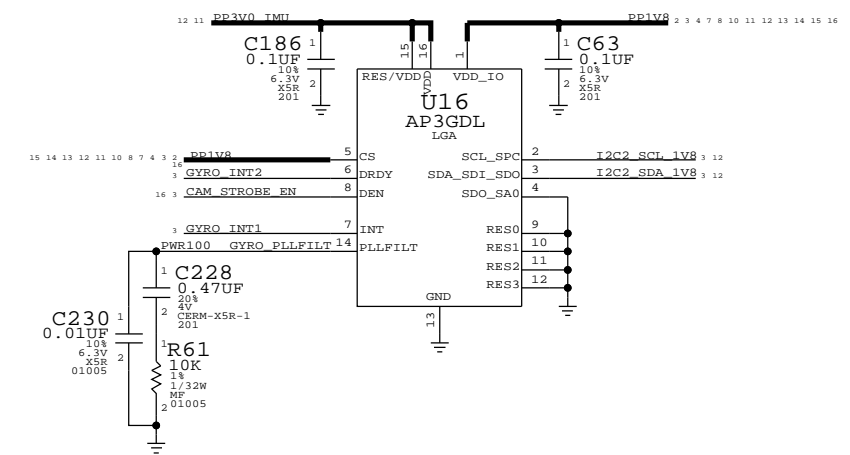
I2C ADDRESS: 0011101X (0X1D)



C

C

GYRO



B

B

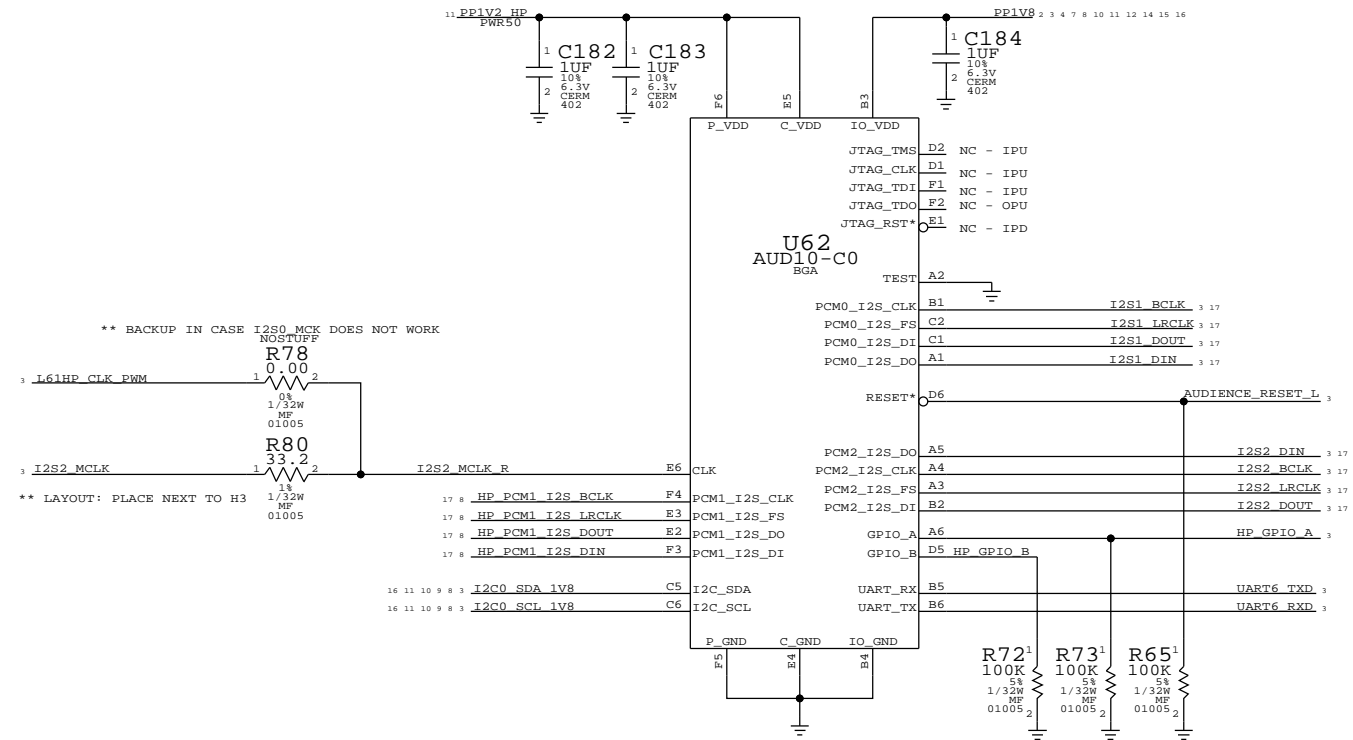
A

A

SYNC MASTER=N/A		SYNC DATE=N/A	
PAGE TITLE			
ACCEL, GYRO			
DRAWING NUMBER		051-7921	SIZE
REVISION		A.0.0	D
NOTICE OF PROPRIETARY PROPERTY:			
THE INFORMATION CONTAINED HEREIN IS THE PROPRIETARY PROPERTY OF APPLE COMPUTER, INC. THE POSSESSOR AGREES TO THE FOLLOWING:			
I TO MAINTAIN THIS DOCUMENT IN CONFIDENCE			
II NOT TO REPRODUCE OR COPY IT			
III NOT TO REVEAL OR PUBLISH IT IN WHOLE OR PART			
IV ALL RIGHTS RESERVED			
PAGE		12 OF 18	
SHEET		12 OF 29	

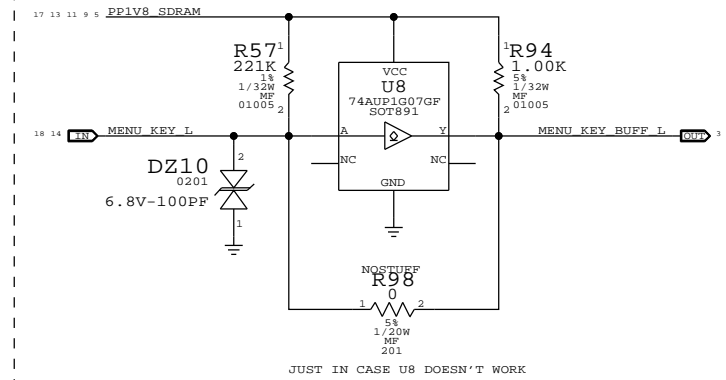
HIGHLAND PARK

I2C ADDRESS: 0111110X (0X3E)

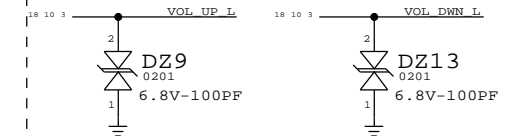


MENU KEY PU, ESD AND BUFFER

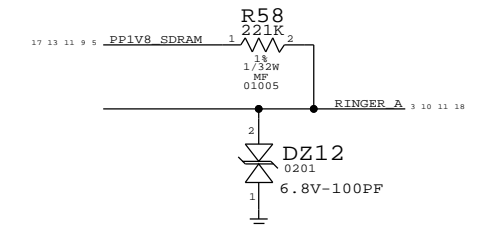
BUFFER IS NEEDED BECAUSE OF IT'S LOW V_{IH} AND LEAKAGE
IT MUST BE OPEN DRAIN SO THAT WHEN PPIV8_SDRAM IS DOWN,
MENU_KEY_BUFF_L IS PULLED LOW THROUGH R94 AND INTERNAL
PULLDOWN IN ASHLEY.



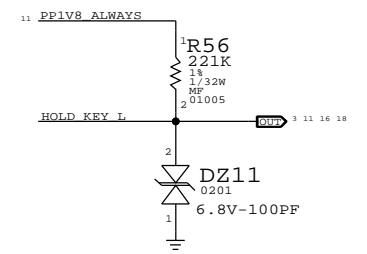
VOLUME SWITCH ESD



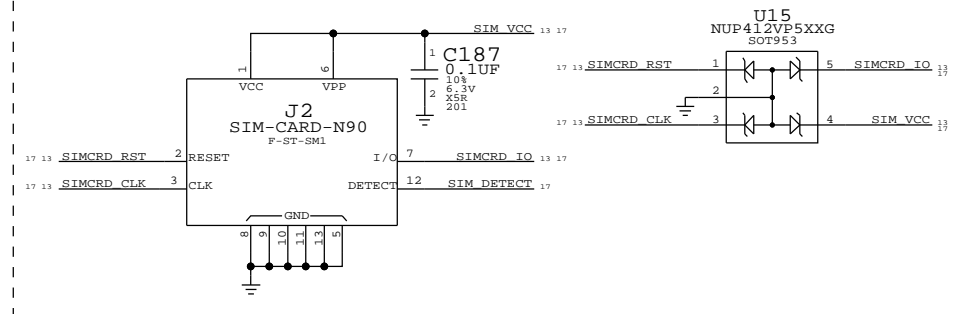
RINGER A/B SWITCH PU AND ESD



POWER/HOLD KEY PU AND ESD

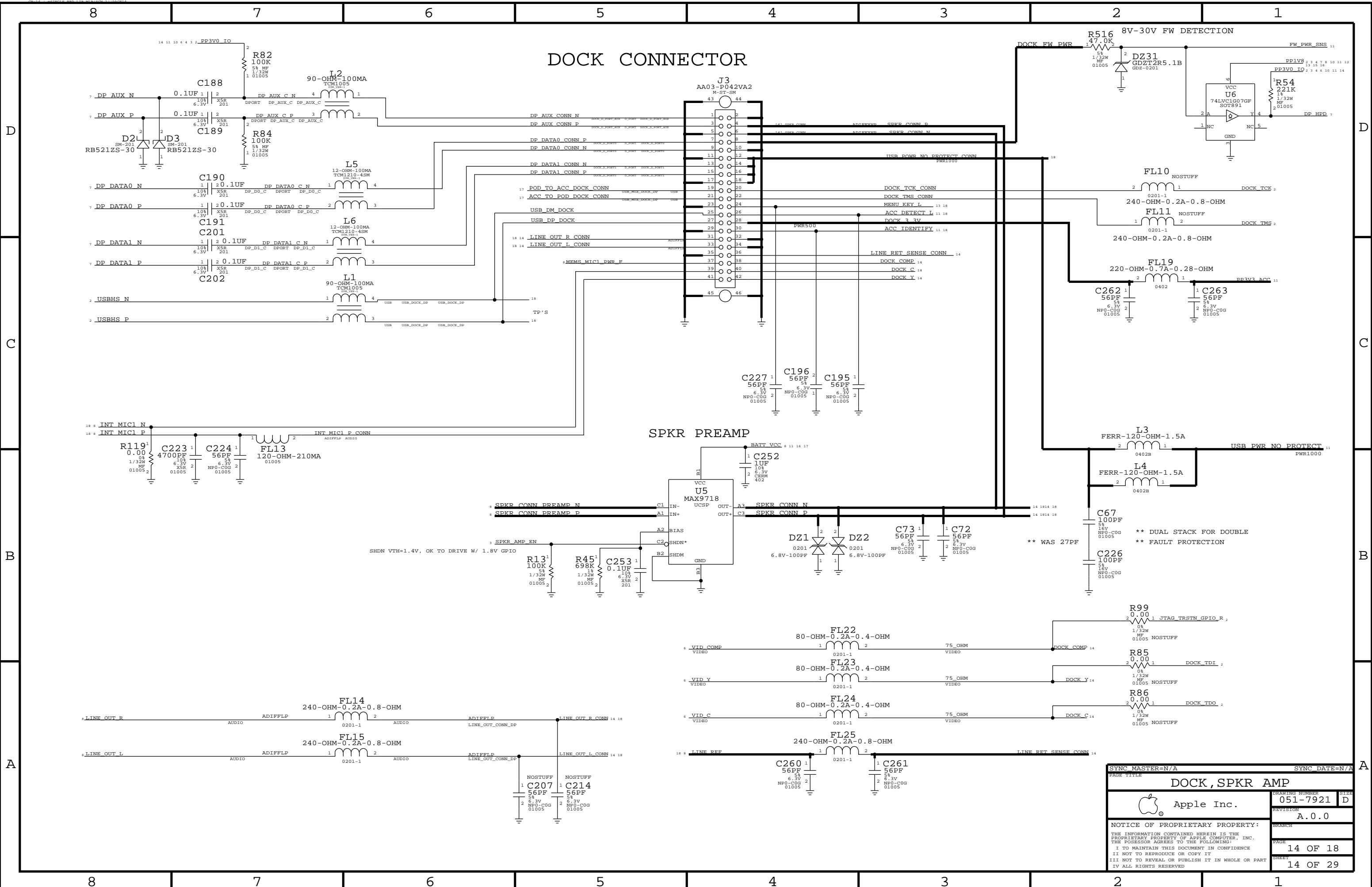


SIM CARD SLOT AND ESD



SYNC MASTER=N/A	SYNC DATE=N/A
HPARK, SWITCH ESD, SIM CARD	
Apple Inc.	DRAWING NUMBER: 051-7921
	REVISION: A.0.0
NOTICE OF PROPRIETARY PROPERTY: THE INFORMATION CONTAINED HEREIN IS THE PROPRIETARY PROPERTY OF APPLE COMPUTER, INC. THE POSSESSOR AGREES TO THE FOLLOWING: I TO MAINTAIN THIS DOCUMENT IN CONFIDENCE II NOT TO REPRODUCE OR COPY IT III NOT TO REVEAL OR PUBLISH IT IN WHOLE OR PART IV ALL RIGHTS RESERVED	
PAGE: 13 OF 18	SHEET: 13 OF 29

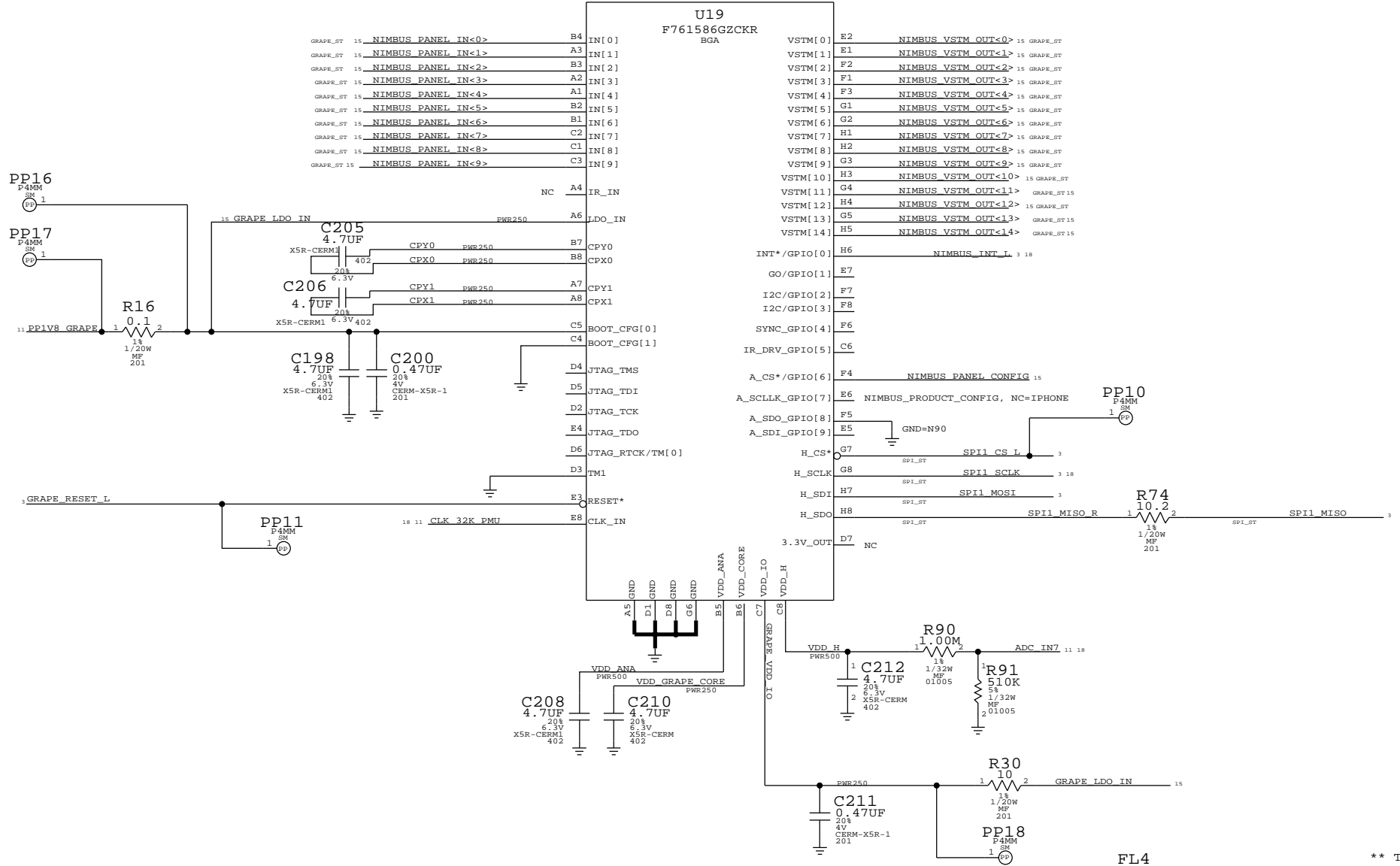
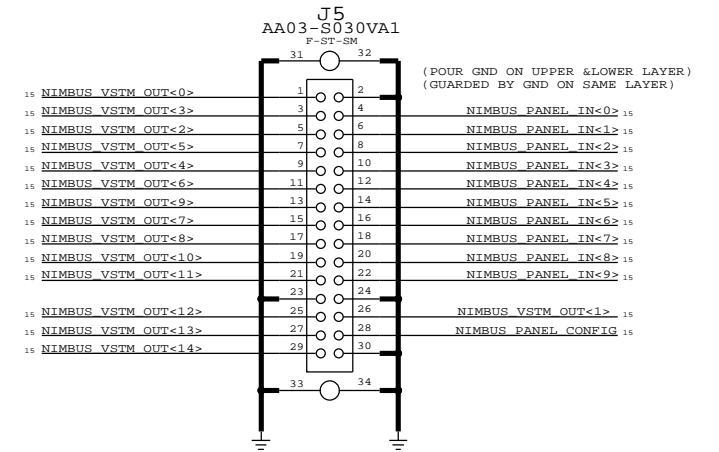
DOCK CONNECTOR



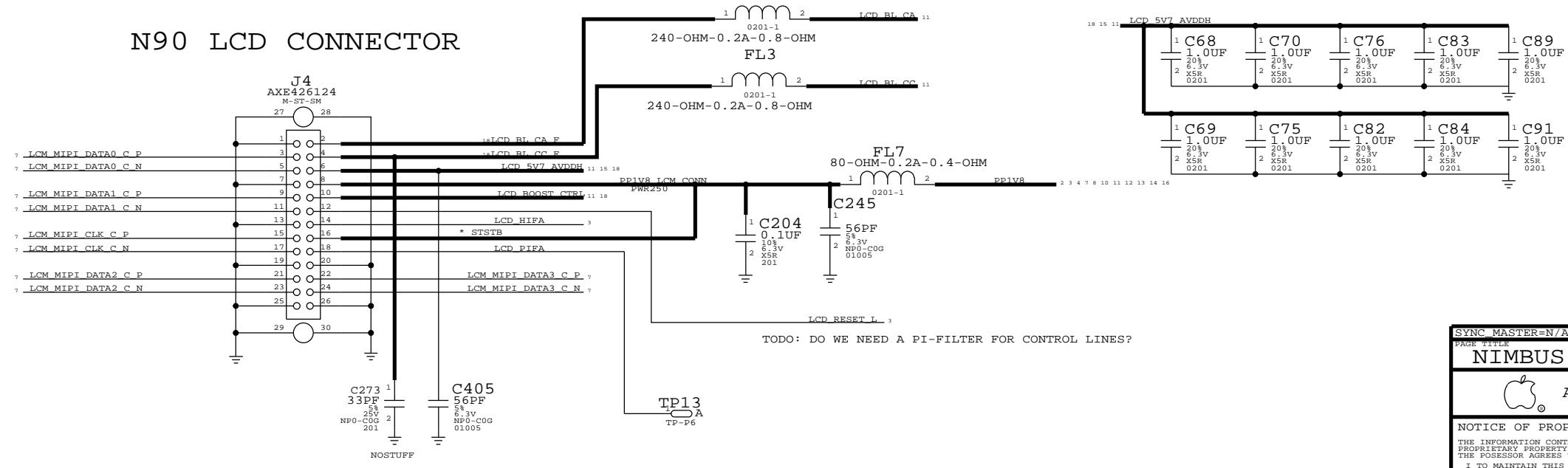
PAGE TITLE		DRAWING NUMBER		SIZE
DOCK, SPKR AMP		051-7921		D
Apple Inc.		REVISION		A.0.0
NOTICE OF PROPRIETARY PROPERTY:		BRANCH		PAGE
THE INFORMATION CONTAINED HEREIN IS THE PROPRIETARY PROPERTY OF APPLE COMPUTER, INC. THE POSSESSOR AGREES TO THE FOLLOWING:		PAGE		14 OF 18
I TO MAINTAIN THIS DOCUMENT IN CONFIDENCE		SHEET		14 OF 29
II NOT TO REPRODUCE OR COPY IT				
III NOT TO REVEAL OR PUBLISH IT IN WHOLE OR PART				
IV ALL RIGHTS RESERVED				

NIMBUS

GRAPE CONNECTOR N90 NIMBUS CONNECTOR



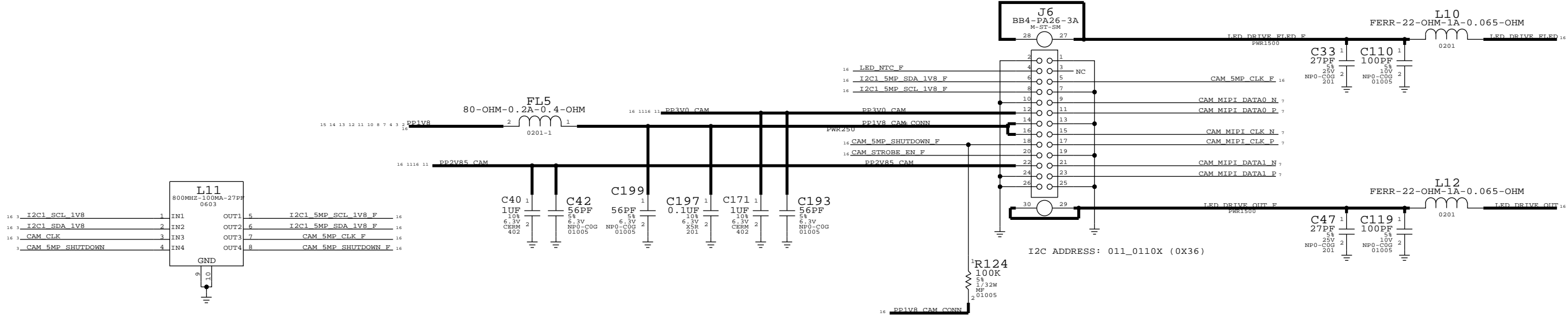
N90 LCD CONNECTOR



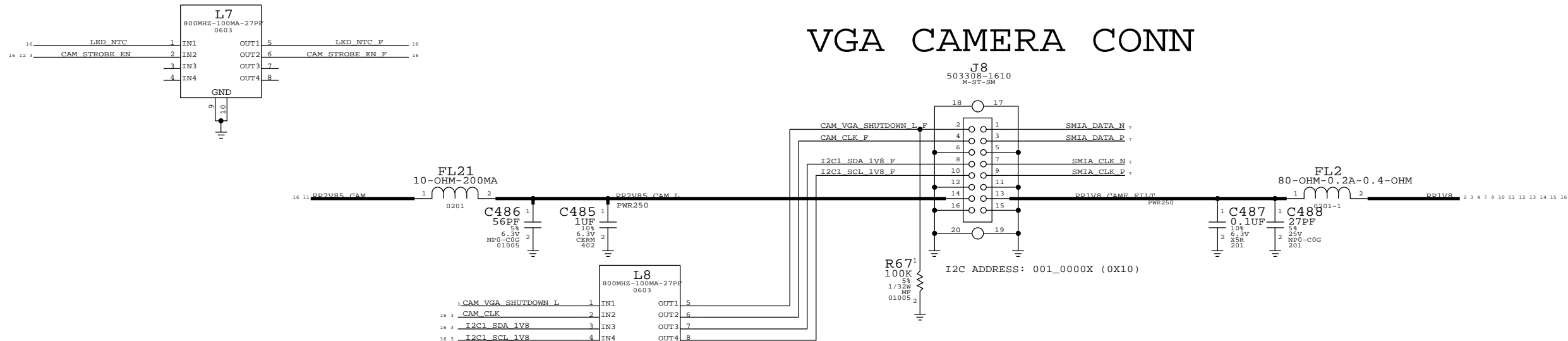
** THESE 10 CAPS ARE TO REPLACE 1 4.7 UF CAP IN ORDER TO REDUCE HEIGHT IN THE FORHEAD AREA

SYNC MASTER=N/A		SYNC DATE=N/A	
PAGE TITLE NIMBUS, GRAPE, LCD CONN.			
DRAWING NUMBER 051-7921		SIZE D	
REVISION A.0.0		BRANCH	
NOTICE OF PROPRIETARY PROPERTY: THE INFORMATION CONTAINED HEREIN IS THE PROPRIETARY PROPERTY OF APPLE COMPUTER, INC. THE POSSESSOR AGREES TO THE FOLLOWING: I TO MAINTAIN THIS DOCUMENT IN CONFIDENCE II NOT TO REPRODUCE OR COPY IT III NOT TO REVEAL OR PUBLISH IT IN WHOLE OR PART IV ALL RIGHTS RESERVED			
PAGE 15 OF 18		SHEET 15 OF 29	

5MP CAMERA CONNECTOR

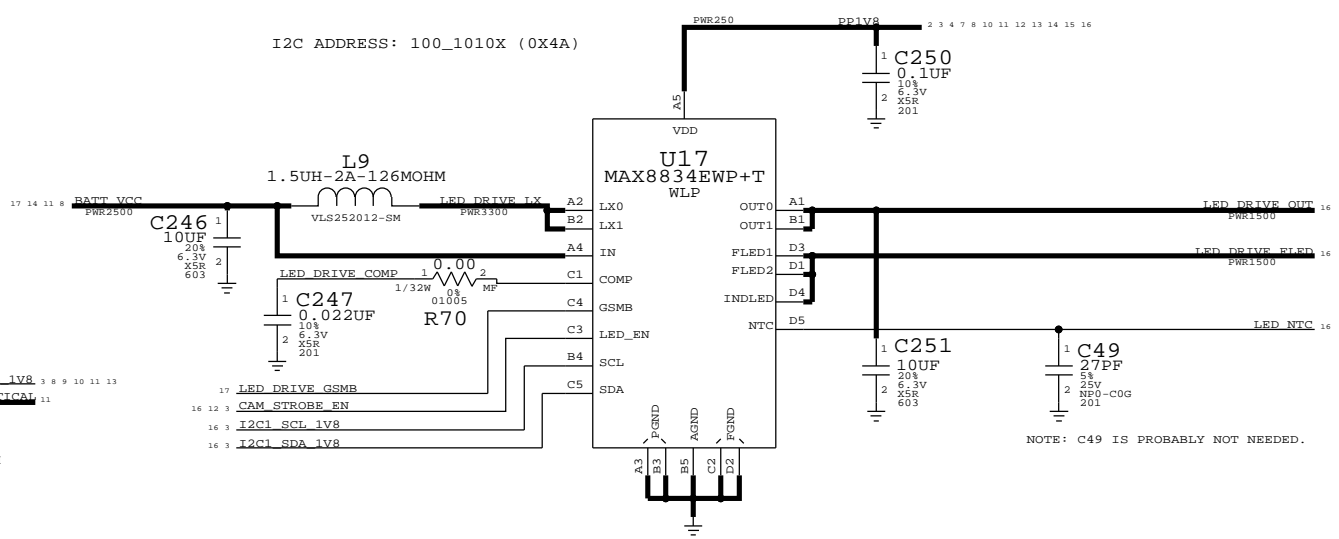


VGA CAMERA CONN



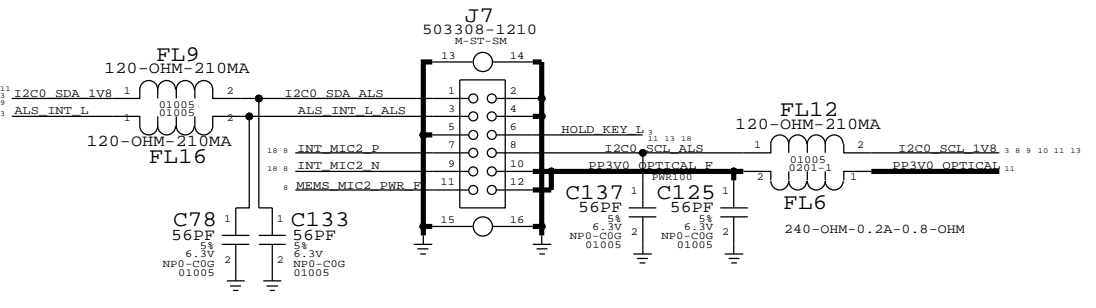
LED DRIVER

* PLACE CLOSE TO BATTERY *

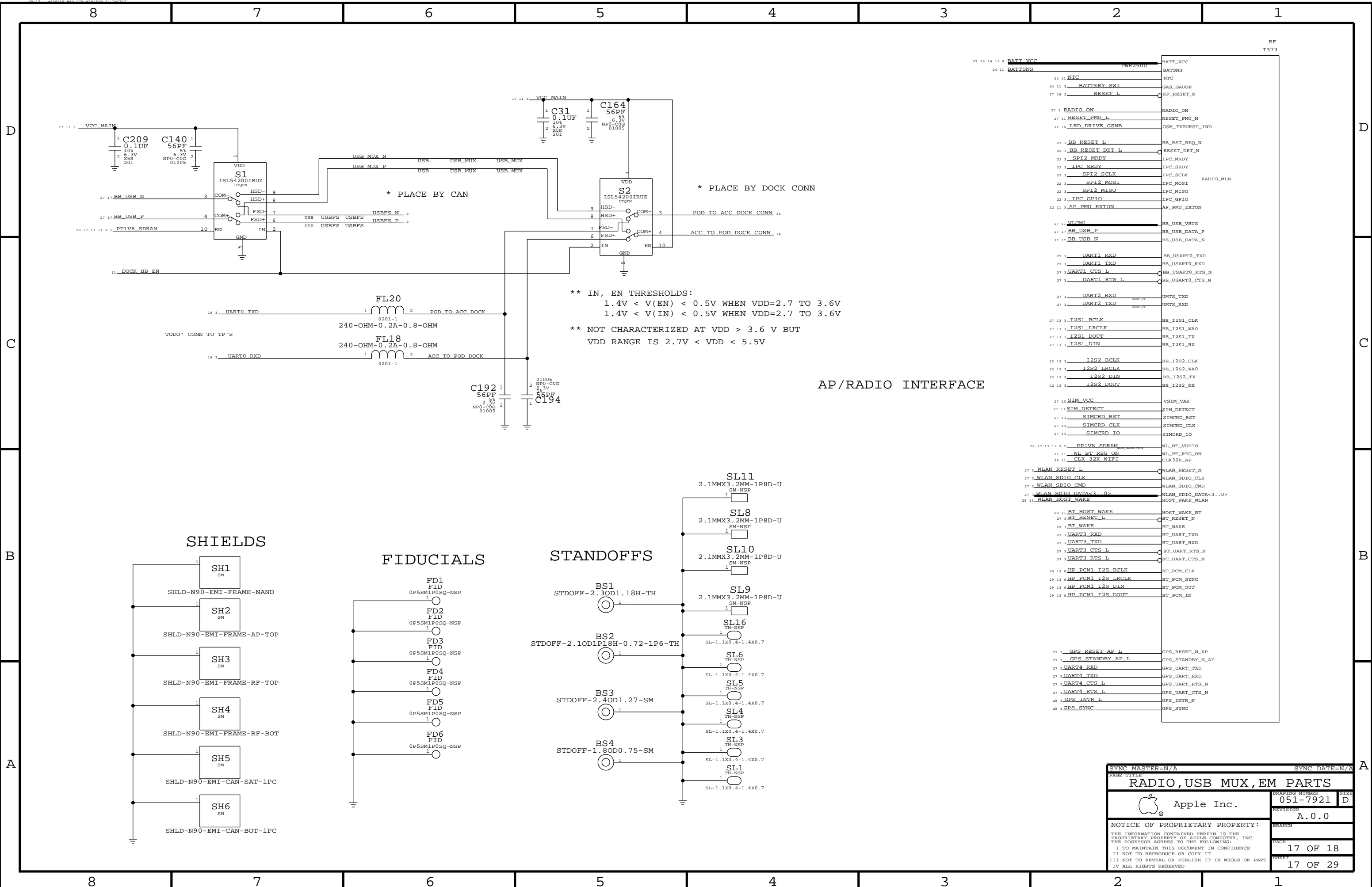


ALS/PROX

I2C ADDRESS: 011_1001X (0X39)

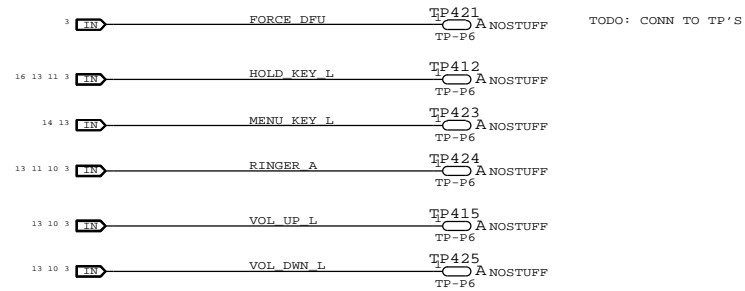


SYNC MASTER=N/A		SYNC DATE=N/A	
CAMERA, STROBE, SENSOR B2B			
Apple Inc.		DRAWING NUMBER	051-7921
		REVISION	A.0.0
NOTICE OF PROPRIETARY PROPERTY: THE INFORMATION CONTAINED HEREIN IS THE PROPRIETARY PROPERTY OF APPLE COMPUTER, INC. THE POSSESSOR AGREES TO THE FOLLOWING: I TO MAINTAIN THIS DOCUMENT IN CONFIDENCE II NOT TO REPRODUCE OR COPY IT III NOT TO REVEAL OR PUBLISH IT IN WHOLE OR PART IV ALL RIGHTS RESERVED			
PAGE	16 OF 18	SHEET	16 OF 29



SYNC MASTER=N/A		SYNC DATE=N/A	
DRAWING TITLE			
RADIO, USB MUX, EM PARTS			
DRAWING NUMBER		051-7921	SIZE
REVISION		A.0.0	
NOTICE OF PROPRIETARY PROPERTY:			
THE INFORMATION CONTAINED HEREIN IS THE PROPRIETARY PROPERTY OF APPLE COMPUTER, INC. THE POSSESSOR AGREES TO THE FOLLOWING:			
I TO MAINTAIN THIS DOCUMENT IN CONFIDENCE			
I NOT TO REPRODUCE OR COPY IT			
I NOT TO REVEAL OR PUBLISH IT IN WHOLE OR PART			
I ALL RIGHTS RESERVED			
PAGE		17 OF 18	
SHEET		17 OF 29	

GPIO

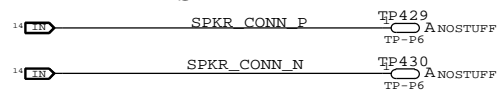


TEST

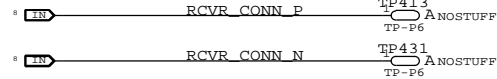


AUDIO

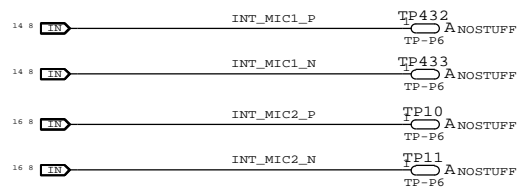
SPEAKER



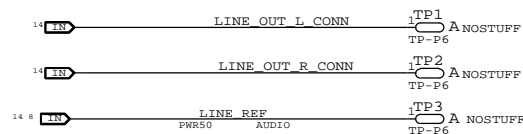
RECEIVER



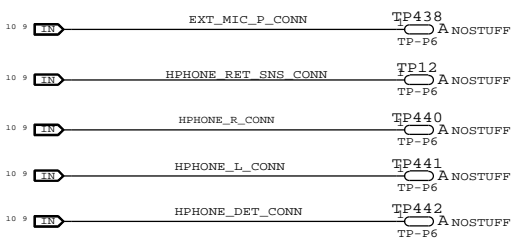
MIC



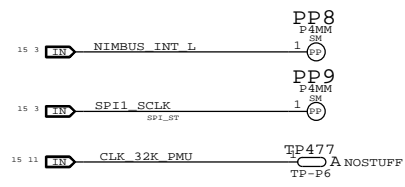
LINE OUT



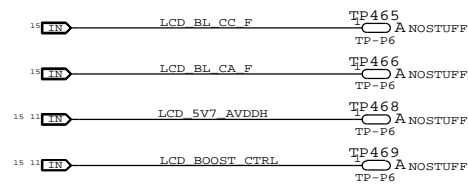
HEADPHONE



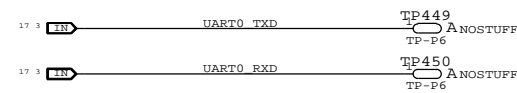
GRAPE



LCM



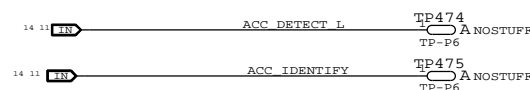
UART



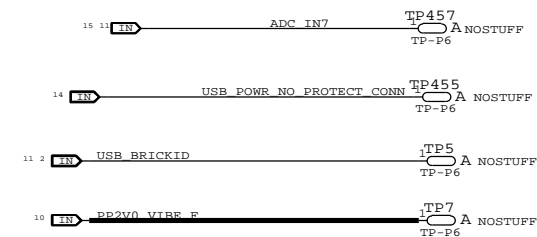
USB



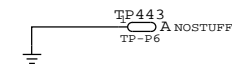
ACCESSORY DETECT



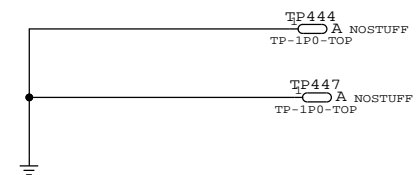
POWER



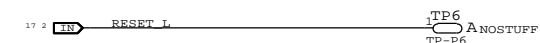
SIGNAL GND (SENSE)



POWER GND



RESET



SYNC MASTER=N/A		SYNC DATE=N/A	
PAGE TITLE			
TEST POINTS			
Apple Inc.		DRAWING NUMBER	SIZE
		051-7921	IT
		REVISION	
		A.0.0	
NOTICE OF PROPRIETARY PROPERTY:			
THE INFORMATION CONTAINED HEREIN IS THE PROPRIETARY PROPERTY OF APPLE COMPUTER, INC. THE POSSESSOR AGREES TO THE FOLLOWING:			
I TO MAINTAIN THIS DOCUMENT IN CONFIDENCE			
II NOT TO REPRODUCE OR COPY IT			
III NOT TO REVEAL OR PUBLISH IT IN WHOLE OR PART			
IV ALL RIGHTS RESERVED			
PAGE	18 OF 18		
SHEET	18 OF 29		

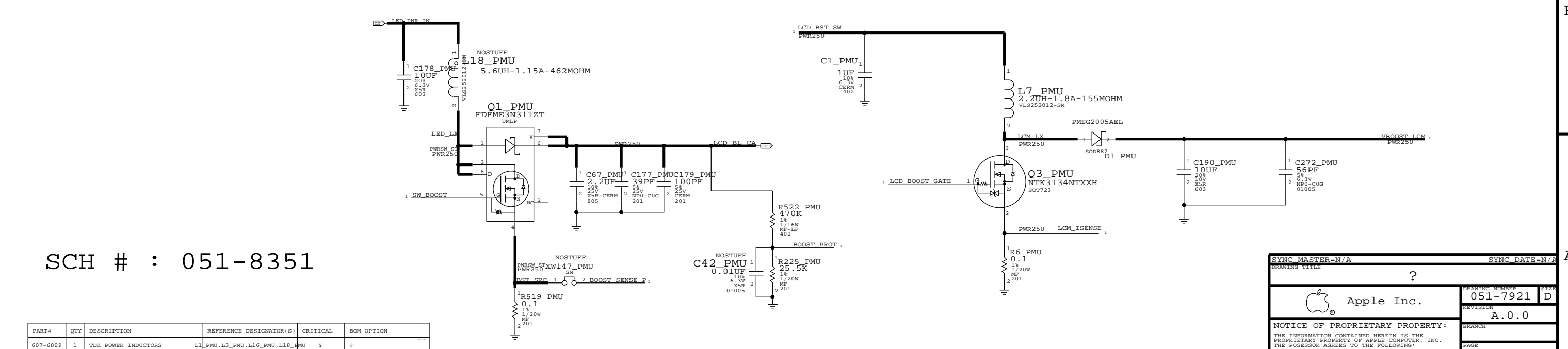
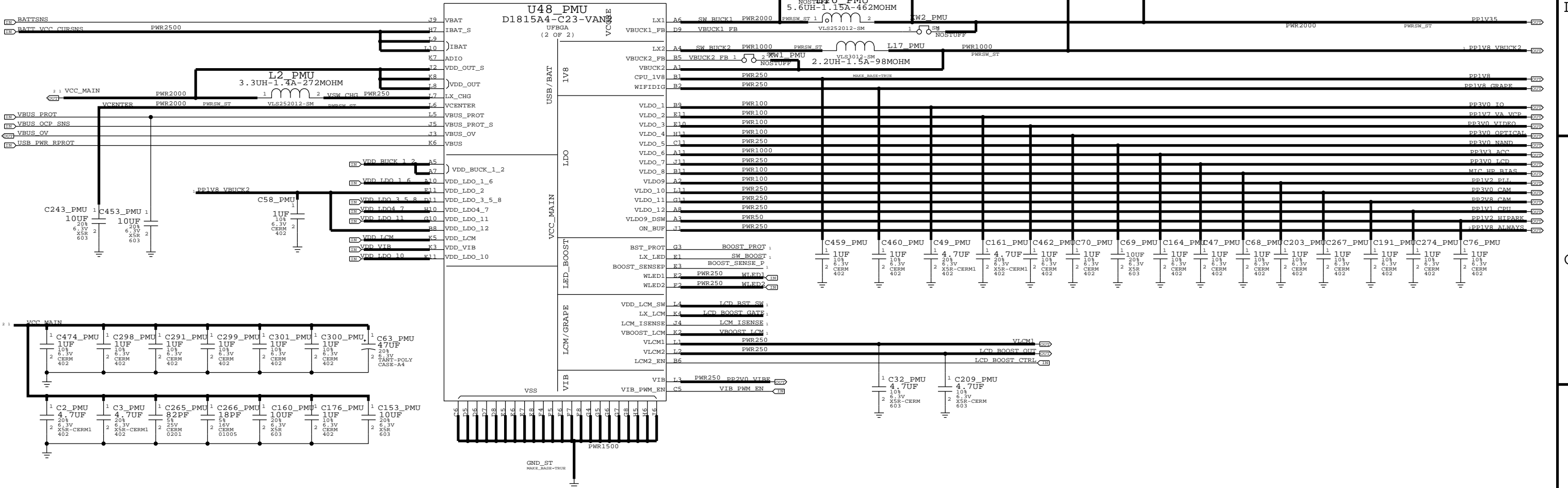
1. ALL RESISTANCE VALUES ARE IN OHMS, 0.1 WATT +/- 5%.
2. ALL CAPACITANCE VALUES ARE IN MICROFARADS.
3. ALL CRYSTALS & OSCILLATOR VALUES ARE IN HERTZ.

N90 ASHLEY_PMU SUB-DESIGN

Thu Mar 18 14:15:23 2010

REV	ECN	DESCRIPTION OF REVISION	CK APPD	DATE
A	0000880153	PRODUCTION RELEASED		2010-03-23

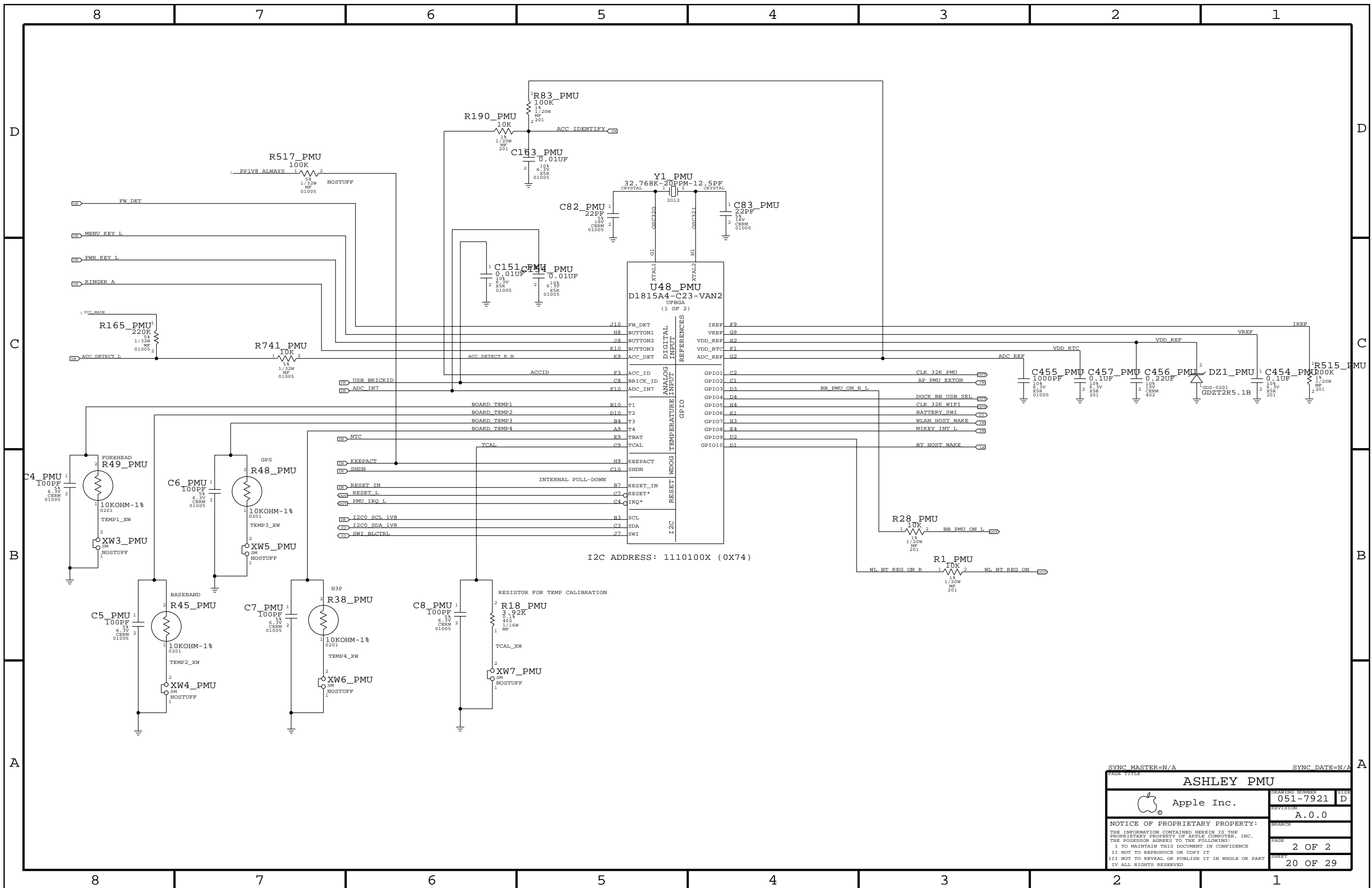
LAYOUT: PLACE XW1 AND XW2 REMOTELY BY AP



SCH # : 051-8351

PART#	QTY	DESCRIPTION	REFERENCE DESIGNATOR(S)	CRITICAL	BOM OPTION
607-6809	1	TDK POWER INDUCTORS	L1_PMU, L3_PMU, L16_PMU, L18_PMU	Y	?

SYNC MASTER=N/A		SYNC DATE=N/A	
DRAWING TITLE ?			
Apple Inc.		DRAWING NUMBER	SIZE
		051-7921	D
		REVISION	
		A.0.0	
		BRANCH	
		PAGE	1 OF 2
		SHEET	19 OF 29
NOTICE OF PROPRIETARY PROPERTY: THE INFORMATION CONTAINED HEREIN IS THE PROPRIETARY PROPERTY OF APPLE COMPUTER, INC. THE POSSESSOR AGREES TO THE FOLLOWING: I TO MAINTAIN THIS DOCUMENT IN CONFIDENCE II NOT TO REPRODUCE OR COPY IT III NOT TO REVEAL OR PUBLISH IT IN WHOLE OR PART IV ALL RIGHTS RESERVED			



PAGE TITLE		SYNC DATE=N/A	
ASHLEY PMU			
	DRAWING NUMBER	051-7921	SIZE
	REVISION	A.0.0	D
NOTICE OF PROPRIETARY PROPERTY: THE INFORMATION CONTAINED HEREIN IS THE PROPRIETARY PROPERTY OF APPLE COMPUTER, INC. THE POSSESSOR AGREES TO THE FOLLOWING: I TO MAINTAIN THIS DOCUMENT IN CONFIDENCE II NOT TO REPRODUCE OR COPY IT III NOT TO REVEAL OR PUBLISH IT IN WHOLE OR PART IV ALL RIGHTS RESERVED		BRANCH	
		PAGE	2 OF 2
		SHEET	20 OF 29

1. ALL RESISTANCE VALUES ARE IN OHMS, 0.1 WATT +/- 5%.
 2. ALL CAPACITANCE VALUES ARE IN MICROFARADS.
 3. ALL CRYSTALS & OSCILLATOR VALUES ARE IN HERTZ.


REV	ECN	DESCRIPTION OF REVISION	CK APPD DATE
A	0000880153	PRODUCTION RELEASED	2010-03-23

N90 (ICE3) HSPA RADIO

PVT - 04/15/10:BRD REV9

PAGE	CONTENTS
02	BASEBAND I/O
03	BASEBAND + MEMORY
04	BASEBAND POWER SUPPLY
05	GSM & UMTS TRANSCEIVER
06	POWER AMPS AND RF FRONT END
07	SYSTEM CONNECTORS
08	A-GPS
09	WLAN/BLEETOOTH RADIO

BOARD - 920-XXXX
 SCHEMATIC - 951-XXXX
 BOM - 630-XXXX

DRAWING TITLE		TITLE PAGE	
 Apple Inc.	DRAWING NUMBER	051-7921	SIZE D
	REVISION	A.0.0	BRANCH
NOTICE OF PROPRIETARY PROPERTY: <small>THE INFORMATION CONTAINED HEREIN IS THE PROPRIETARY PROPERTY OF APPLE COMPUTER, INC. THE POSSESSOR AGREES TO THE FOLLOWING: I TO MAINTAIN THIS DOCUMENT IN CONFIDENCE II NOT TO REPRODUCE OR COPY IT III NOT TO REVEAL OR PUBLISH IT IN WHOLE OR PART IV ALL RIGHTS RESERVED</small>		PAGE	1 OF 9
		SHEET	21 OF 29

BASEBAND I/O

D

C

B

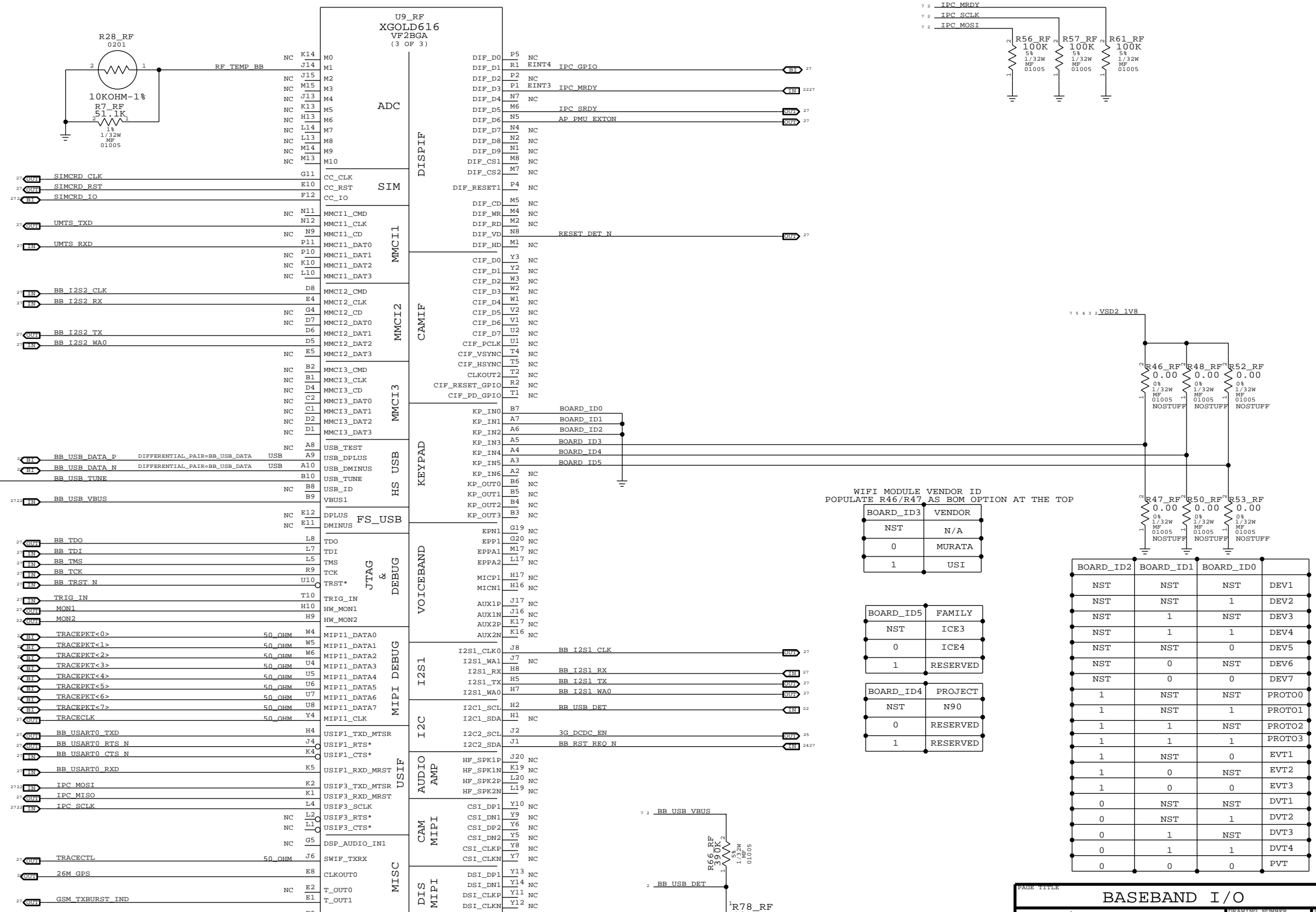
A

D

C

B

A



DSP_AUDIO_IN1, MON1 AND MON2 ARE ONLY ON TP AVAILABLE

DSP_AUDIO_IN1 HWCFG[3]	MON1 HWCFG[2]	MON2 HWCFG[1]	TRIG_IN HWCFG[0]	BOOT CONFIG DESCRIPTION
0	0	0	0	EXTERNAL BOOT VIA USB
0	0	0	1	NOR FLASH - EBU CONFIG: 16-BIT AD MUXED
0	0	1	0	NOR FLASH - EBU CONFIG: 16-BIT AAD MUXED

WIFI MODULE VENDOR ID
POPULATE R46/R47 AS BOM OPTION AT THE TOP

BOARD_ID3	VENDOR
NST	N/A
0	MURATA
1	USI

BOARD_ID5	FAMILY
NST	ICE3
0	ICE4
1	RESERVED

BOARD_ID4	PROJECT
NST	N90
0	RESERVED
1	RESERVED

BOARD_ID2	BOARD_ID1	BOARD_ID0	DEV
NST	NST	NST	DEV1
NST	NST	1	DEV2
NST	1	NST	DEV3
NST	1	1	DEV4
NST	NST	0	DEV5
NST	0	NST	DEV6
NST	0	0	DEV7
1	NST	NST	PROTO0
1	NST	1	PROTO1
1	1	NST	PROTO2
1	1	1	PROTO3
1	NST	0	EVT1
1	0	NST	EVT2
1	0	0	EVT3
0	NST	NST	DVT1
0	NST	1	DVT2
0	1	NST	DVT3
0	1	1	DVT4
0	0	0	PVT

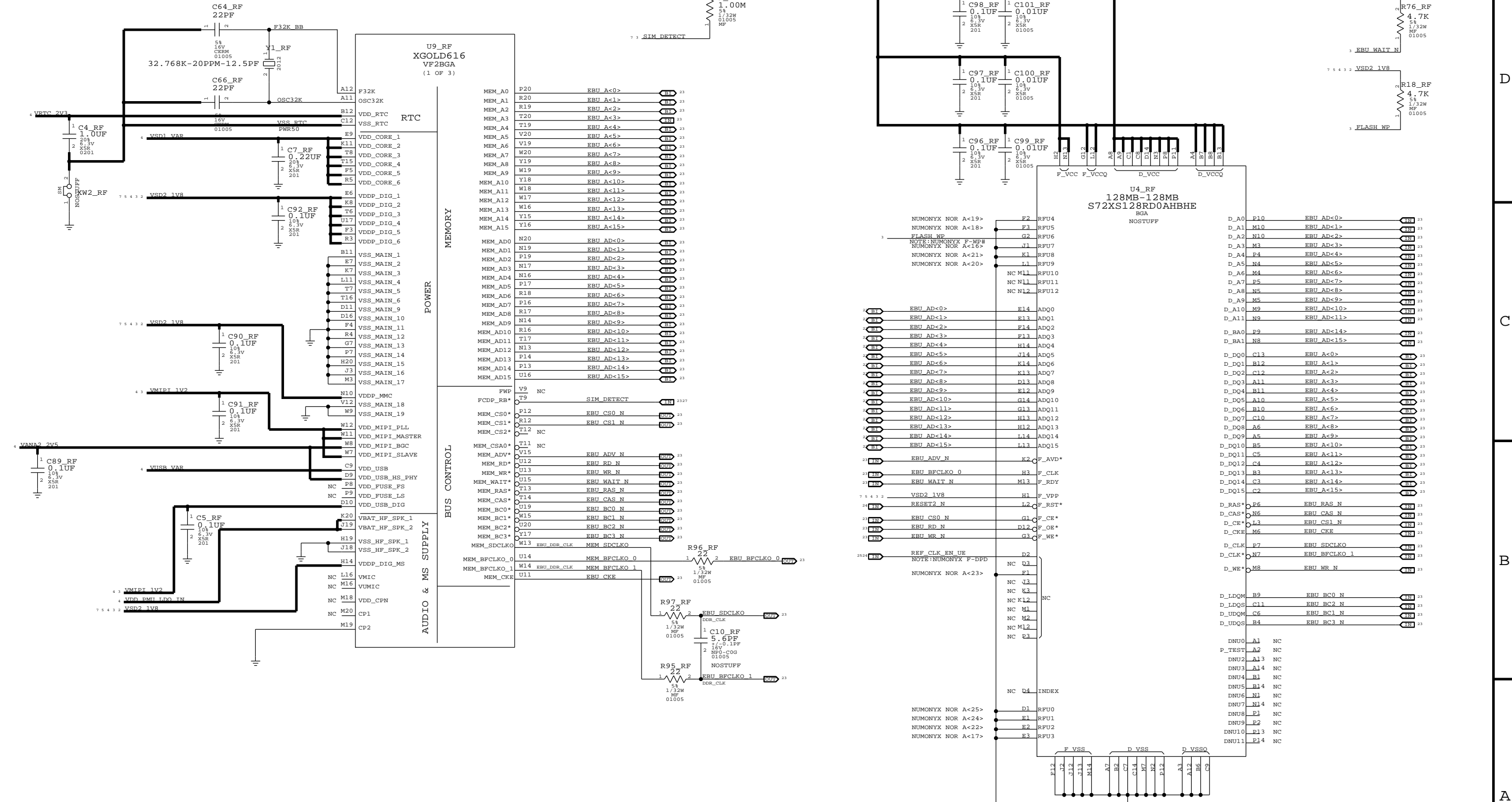
Apple Inc. BASEBAND I/O

DRAWING NUMBER: 051-7921
REVISION: A.0.0

NOTICE OF PROPRIETARY PROPERTY:
THE INFORMATION CONTAINED HEREIN IS THE PROPRIETARY PROPERTY OF APPLE COMPUTER, INC. THE POSSESSOR AGREES TO THE FOLLOWING:
I TO MAINTAIN THIS DOCUMENT IN CONFIDENCE
II NOT TO REPRODUCE OR COPY IT
III NOT TO REVEAL OR PUBLISH IT IN WHOLE OR PART
IV ALL RIGHTS RESERVED

PAGE: 2 OF 9
SHEET: 22 OF 29

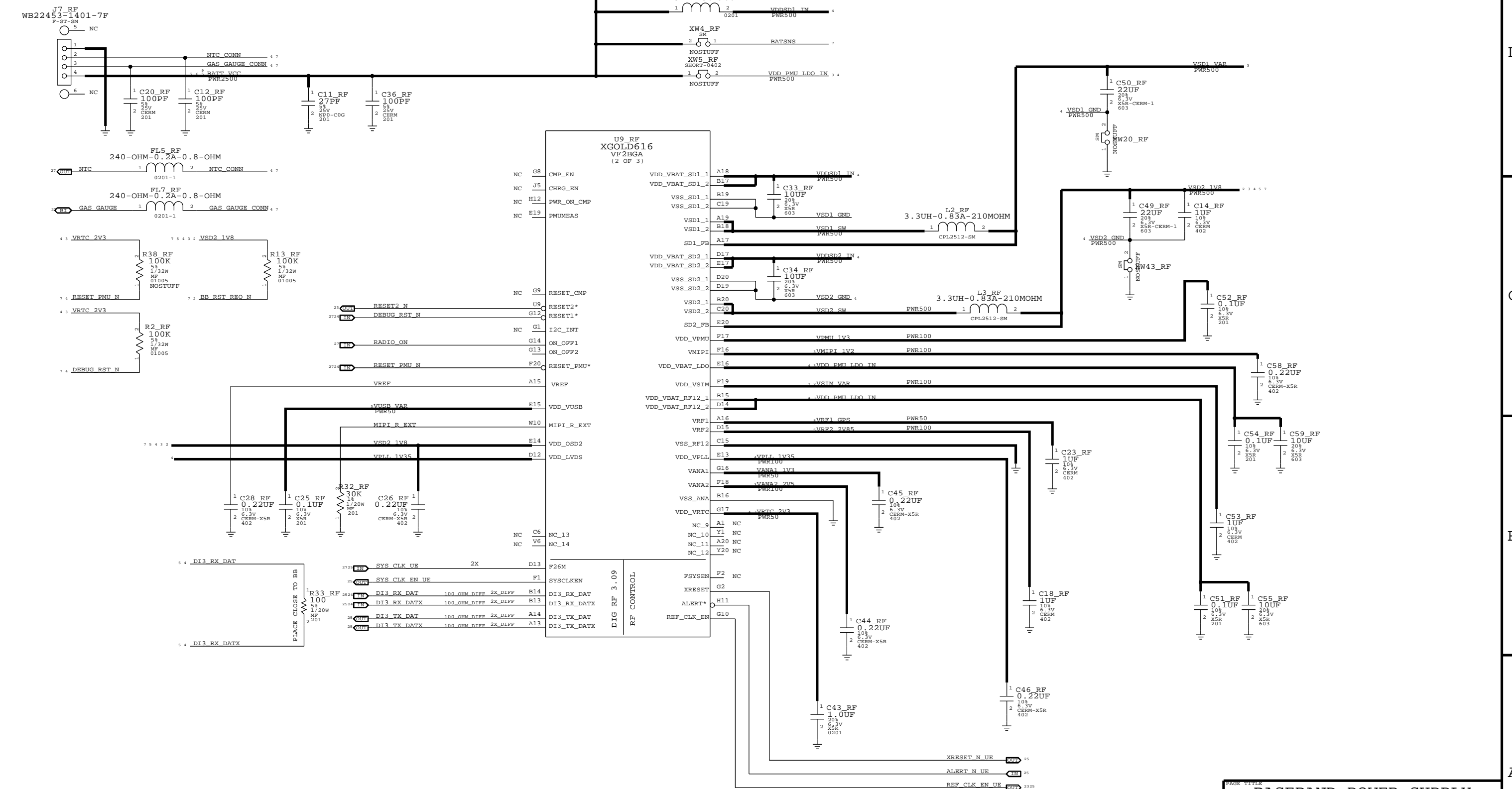
BASEBAND MEMORY



BASEBAND MEMORY Apple Inc.			DRAWING NUMBER 051-7921	SIZE D
REVISION A.0.0			BRANCH	
NOTICE OF PROPRIETARY PROPERTY: THE INFORMATION CONTAINED HEREIN IS THE PROPRIETARY PROPERTY OF APPLE COMPUTER, INC. THE POSSESSOR AGREES TO THE FOLLOWING: I TO MAINTAIN THIS DOCUMENT IN CONFIDENCE II NOT TO REPRODUCE OR COPY IT III NOT TO REVEAL OR PUBLISH IT IN WHOLE OR PART IV ALL RIGHTS RESERVED			PAGE 3 OF 9	
			SHEET 23 OF 29	

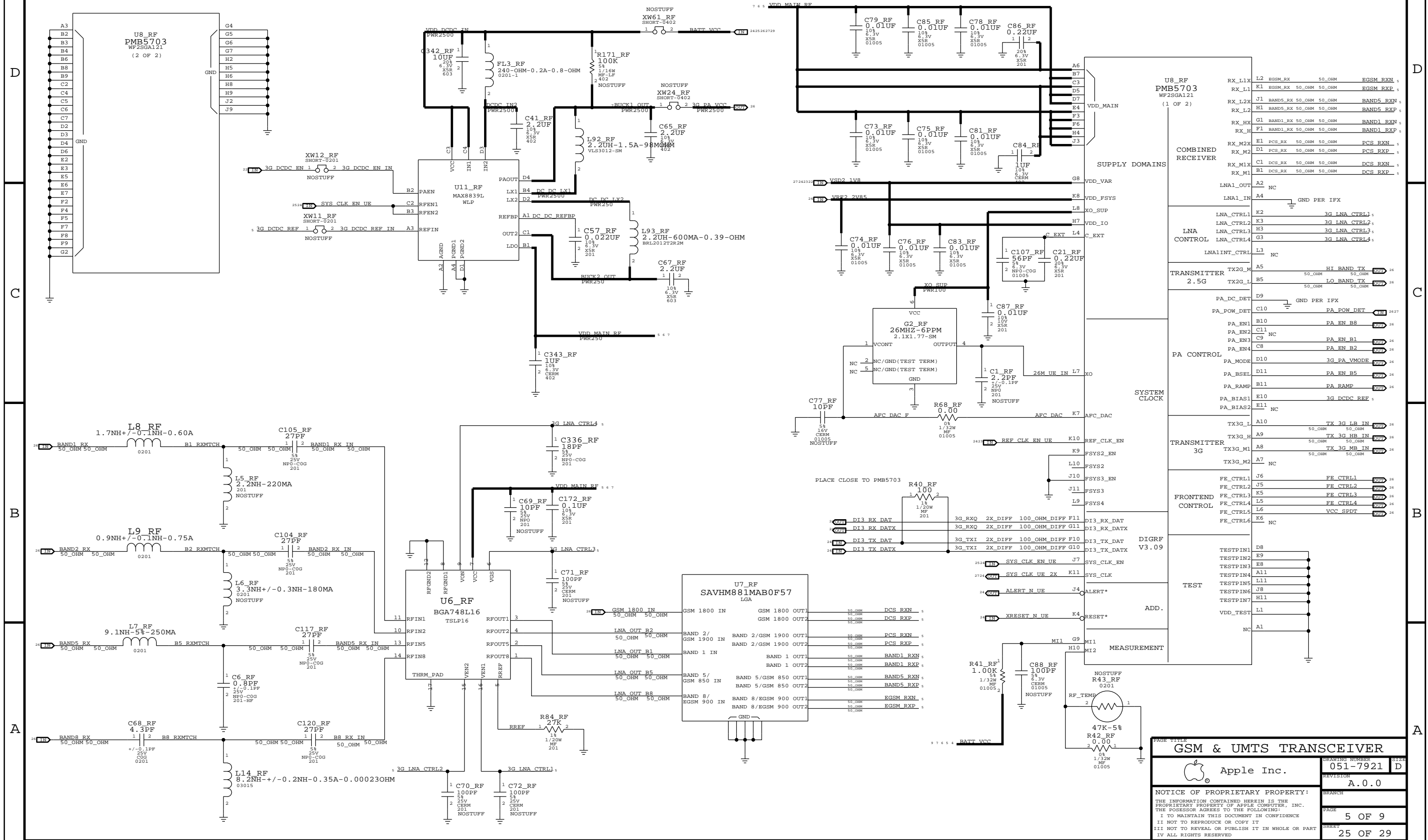
BASEBAND POWER SUPPLY

BATTERY CONNECTOR



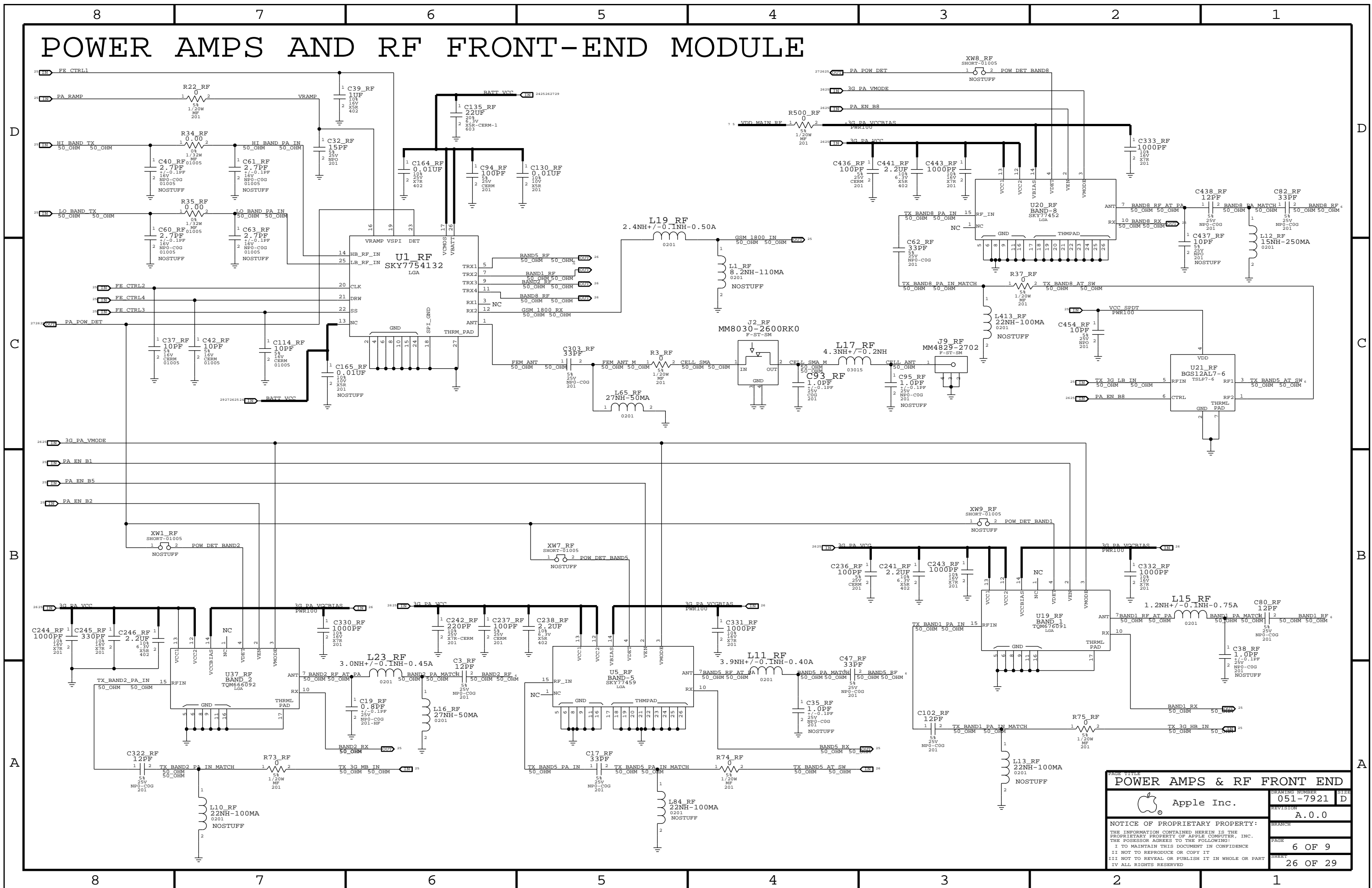
PAGE TITLE		BASEBAND POWER SUPPLY	
Apple Inc.		DRAWING NUMBER	051-7921
		REVISION	A.0.0
NOTICE OF PROPRIETARY PROPERTY:		BRANCH	
THE INFORMATION CONTAINED HEREIN IS THE PROPRIETARY PROPERTY OF APPLE COMPUTER, INC. THE POSSESSOR AGREES TO THE FOLLOWING:		PAGE	4 OF 9
I TO MAINTAIN THIS DOCUMENT IN CONFIDENCE		SHEET	24 OF 29
II NOT TO REPRODUCE OR COPY IT			
III NOT TO REVEAL OR PUBLISH IT IN WHOLE OR PART			
IV ALL RIGHTS RESERVED			

GSM & UMTS TRANSCEIVER - SMARTI UE



GSM & UMTS TRANSCEIVER		DRAWING NUMBER	051-7921	SIZE	D
Apple Inc.		REVISION	A.0.0		
NOTICE OF PROPRIETARY PROPERTY:					
THE INFORMATION CONTAINED HEREIN IS THE PROPRIETARY PROPERTY OF APPLE COMPUTER, INC. THE POSSESSOR AGREES TO THE FOLLOWING:					
I TO MAINTAIN THIS DOCUMENT IN CONFIDENCE					
II NOT TO REPRODUCE OR COPY IT					
III NOT TO REVEAL OR PUBLISH IT IN WHOLE OR PART					
IV ALL RIGHTS RESERVED					
		BRANCH			
		PAGE	5 OF 9		
		SHEET	25 OF 29		

POWER AMPS AND RF FRONT-END MODULE

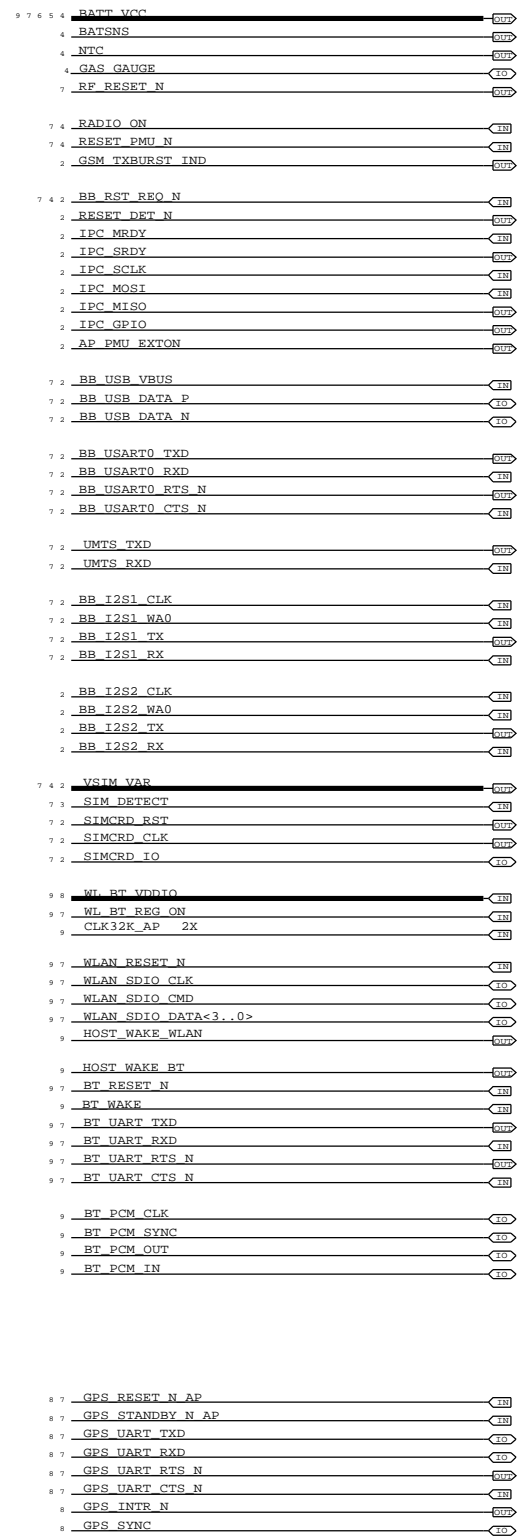


DRAWING NUMBER		051-7921	SIZE	D
REVISION		A.0.0		
BRANCH				
PAGE		6 OF 9		
SHEET		26 OF 29		

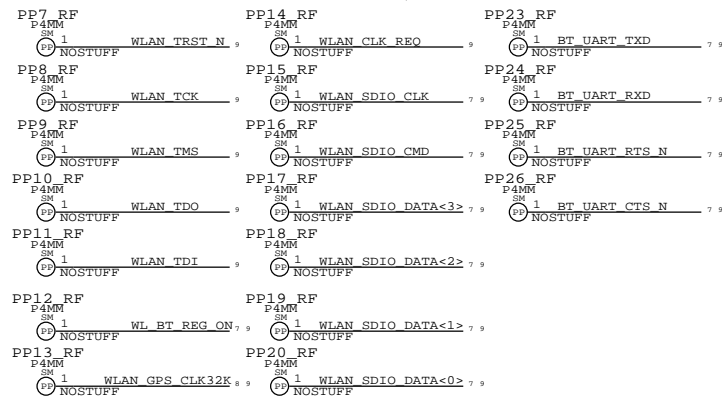
POWER AMPS & RF FRONT END
 Apple Inc.
 NOTICE OF PROPRIETARY PROPERTY:
 THE INFORMATION CONTAINED HEREIN IS THE PROPRIETARY PROPERTY OF APPLE COMPUTER, INC. THE POSSESSOR AGREES TO THE FOLLOWING:
 I TO MAINTAIN THIS DOCUMENT IN CONFIDENCE
 II NOT TO REPRODUCE OR COPY IT
 III NOT TO REVEAL OR PUBLISH IT IN WHOLE OR PART
 IV ALL RIGHTS RESERVED

SYSTEM CONNECTORS

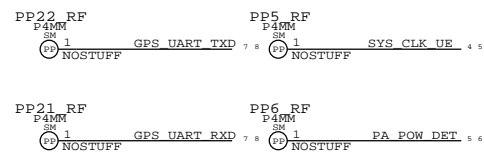
AP CONNECTIONS



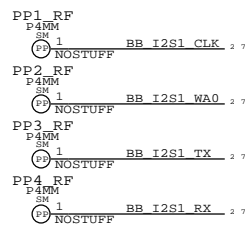
WLAN/BT



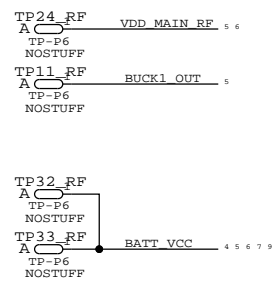
GPS TRX



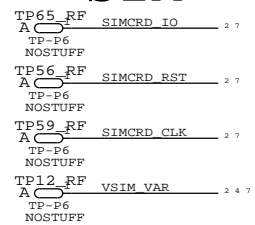
DIGITAL AUDIO



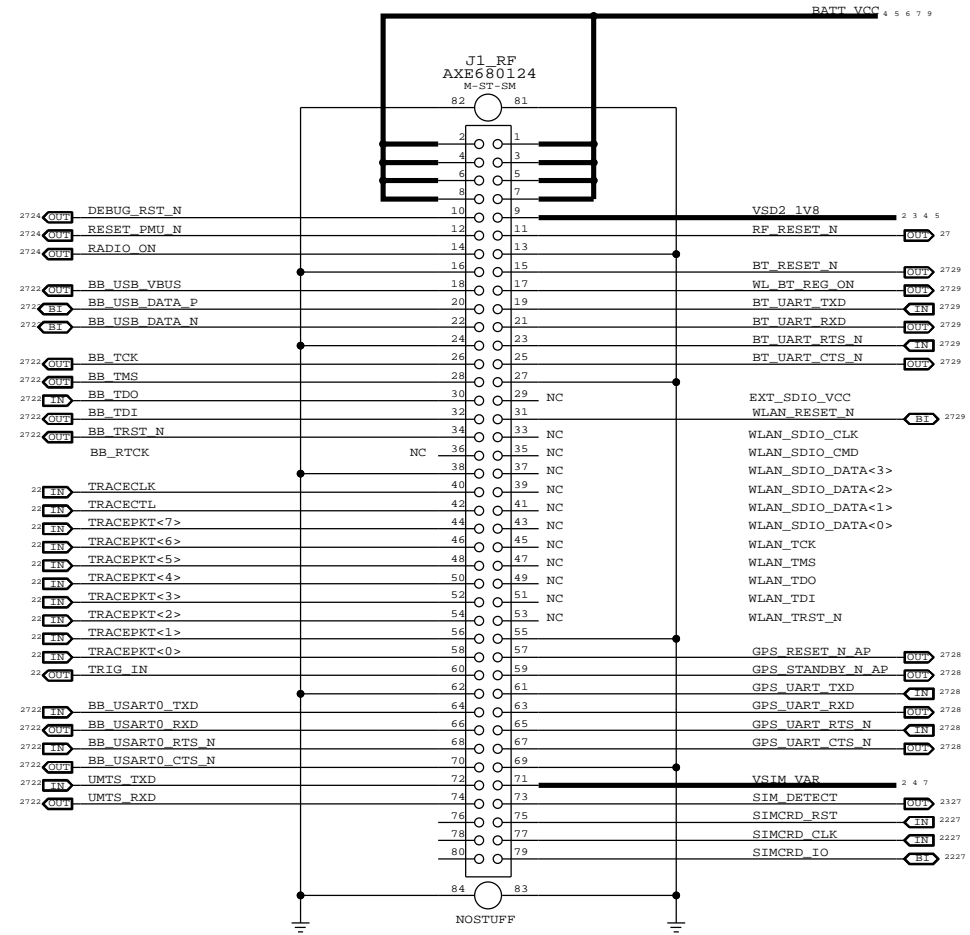
POWER DOMAINS



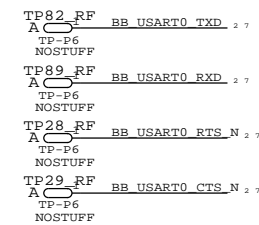
SIM



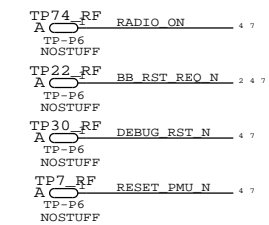
DEBUG CONNECTOR



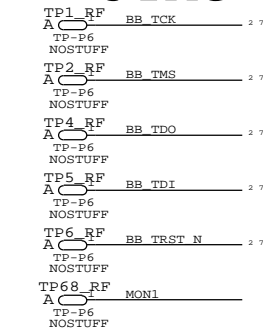
USART0



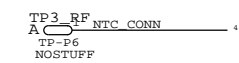
CONTROL



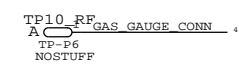
JTAG



NTC

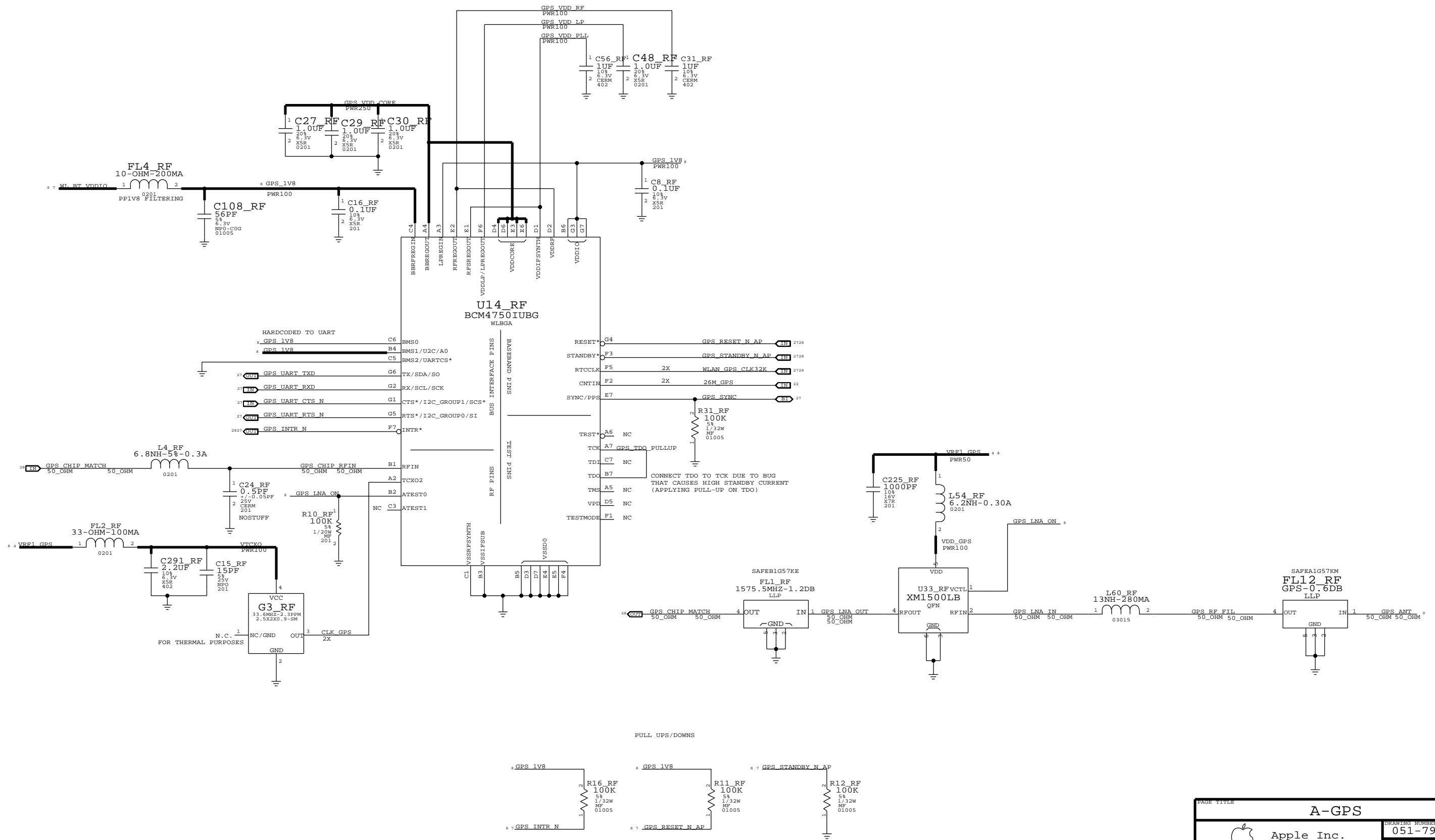



GAS GAUGE



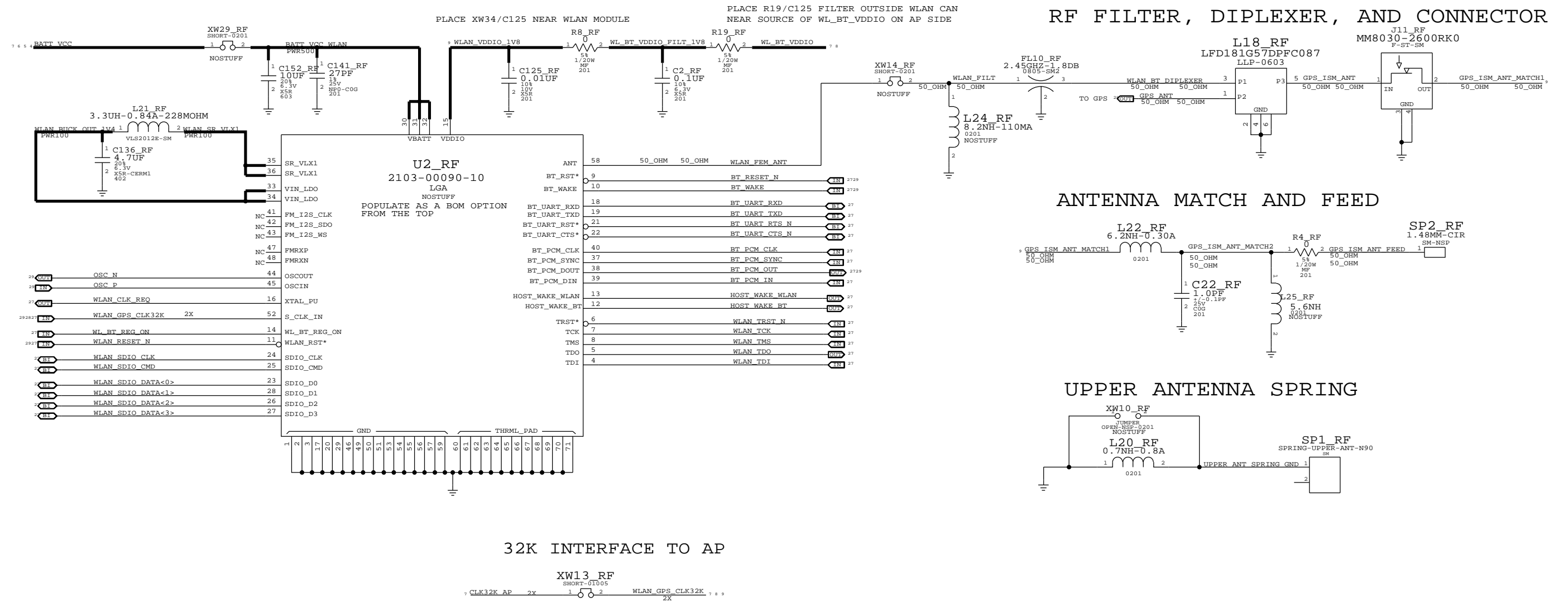
PAGE TITLE		DRAWING NUMBER		SIZE
SYSTEM & DEBUG CONNECTORS		051-7921		D
Apple Inc.		REVISION		A.0.0
NOTICE OF PROPRIETARY PROPERTY:		BRANCH		
THE INFORMATION CONTAINED HEREIN IS THE PROPRIETARY PROPERTY OF APPLE COMPUTER, INC. THE POSSESSOR AGREES TO THE FOLLOWING:		PAGE		7 OF 9
I TO MAINTAIN THIS DOCUMENT IN CONFIDENCE		SHEET		27 OF 29
II NOT TO REPRODUCE OR COPY IT				
III NOT TO REVEAL OR PUBLISH IT IN WHOLE OR PART				
IV ALL RIGHTS RESERVED				

A-GPS

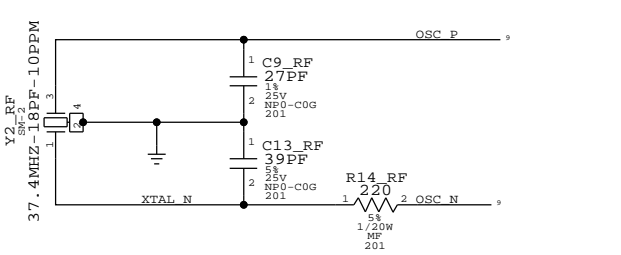


DRAWING TITLE		
A-GPS		
 Apple Inc.	DRAWING NUMBER	051-7921
	REVISION	A.0.0
NOTICE OF PROPRIETARY PROPERTY:		
THE INFORMATION CONTAINED HEREIN IS THE PROPRIETARY PROPERTY OF APPLE COMPUTER, INC. THE POSSESSOR AGREES TO THE FOLLOWING:		
I TO MAINTAIN THIS DOCUMENT IN CONFIDENCE		
II NOT TO REPRODUCE OR COPY IT		
III NOT TO REVEAL OR PUBLISH IT IN WHOLE OR PART		
IV ALL RIGHTS RESERVED		
PAGE	8 OF 9	SHEET
		28 OF 29

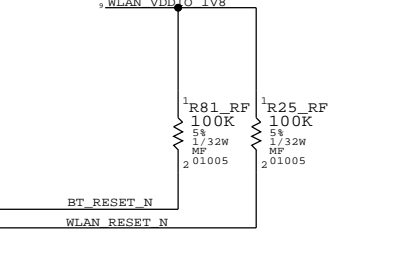
WLAN/BLUETOOTH/FM RADIO



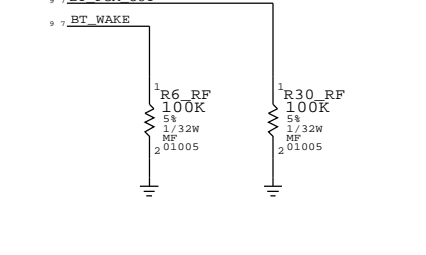
REFERENCE OSCILLATOR CRYSTAL



PULL UP RESISTORS



PULL DOWN RESISTORS



WIFI/BLUEOOTH/FM RADIO		
Apple Inc.	DRAWING NUMBER 051-7921	SIZE D
NOTICE OF PROPRIETARY PROPERTY: THE INFORMATION CONTAINED HEREIN IS THE PROPRIETARY PROPERTY OF APPLE COMPUTER, INC. THE POSSESSOR AGREES TO THE FOLLOWING: I TO MAINTAIN THIS DOCUMENT IN CONFIDENCE II NOT TO REPRODUCE OR COPY IT III NOT TO REVEAL OR PUBLISH IT IN WHOLE OR PART IV ALL RIGHTS RESERVED	REVISION A.0.0	PAGE 9 OF 9
		SHEET 29 OF 29