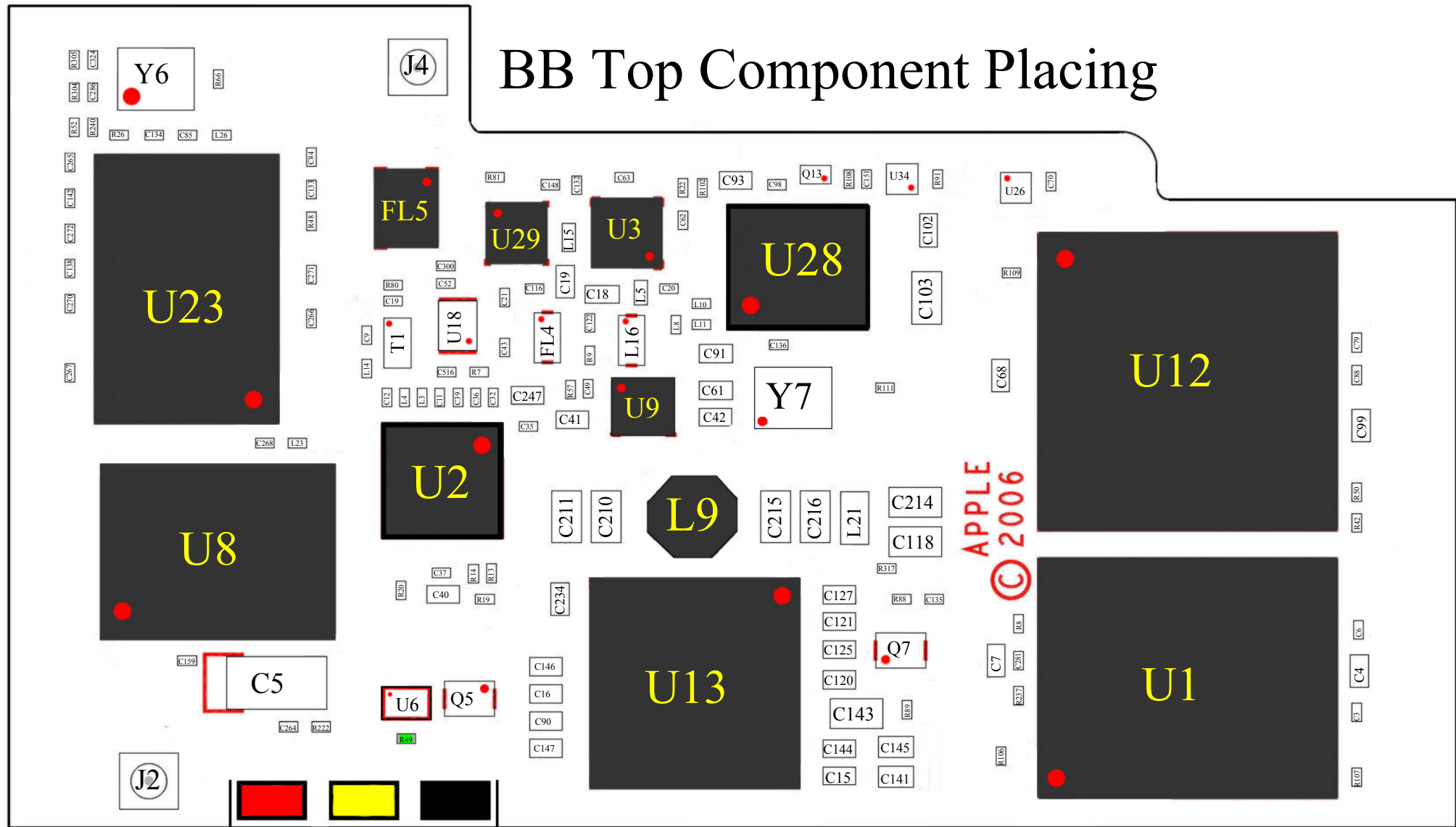


# iPhone 2G Schematic



Remake By OM Tesla for easy component search.

# BB Top Component Placing



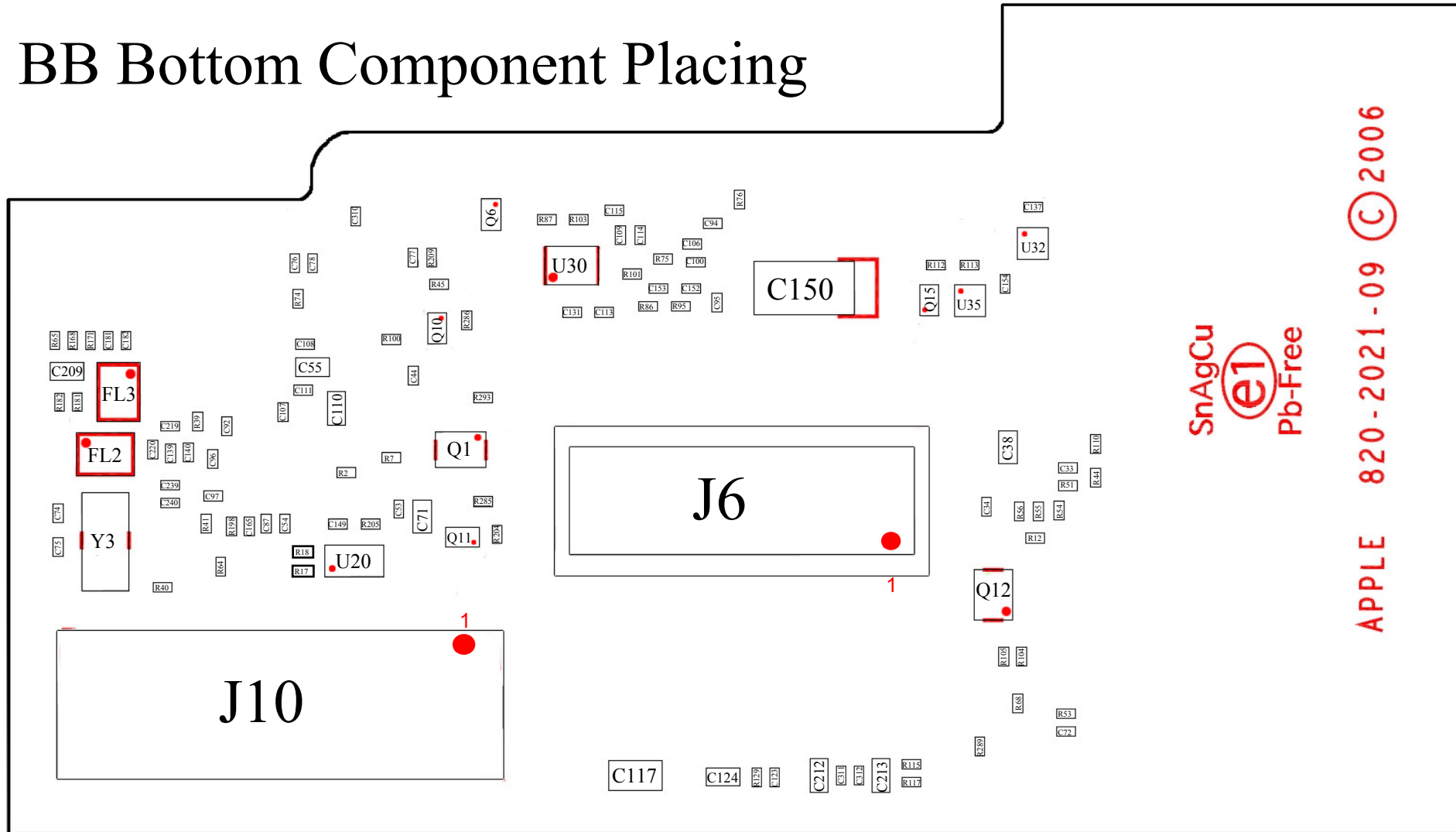
**FINAL**

**Jailbreak  
CONFIDENTIAL**

**APPROVED**  
By OM Tesla brother at 7:53 pm, Feb 03, 2012

**FOR PUBLIC RELEASE**

# BB Bottom Component Placing



SnAgCu  
e1  
Pb-Free  
APPLE 820-2021-09 © 2006

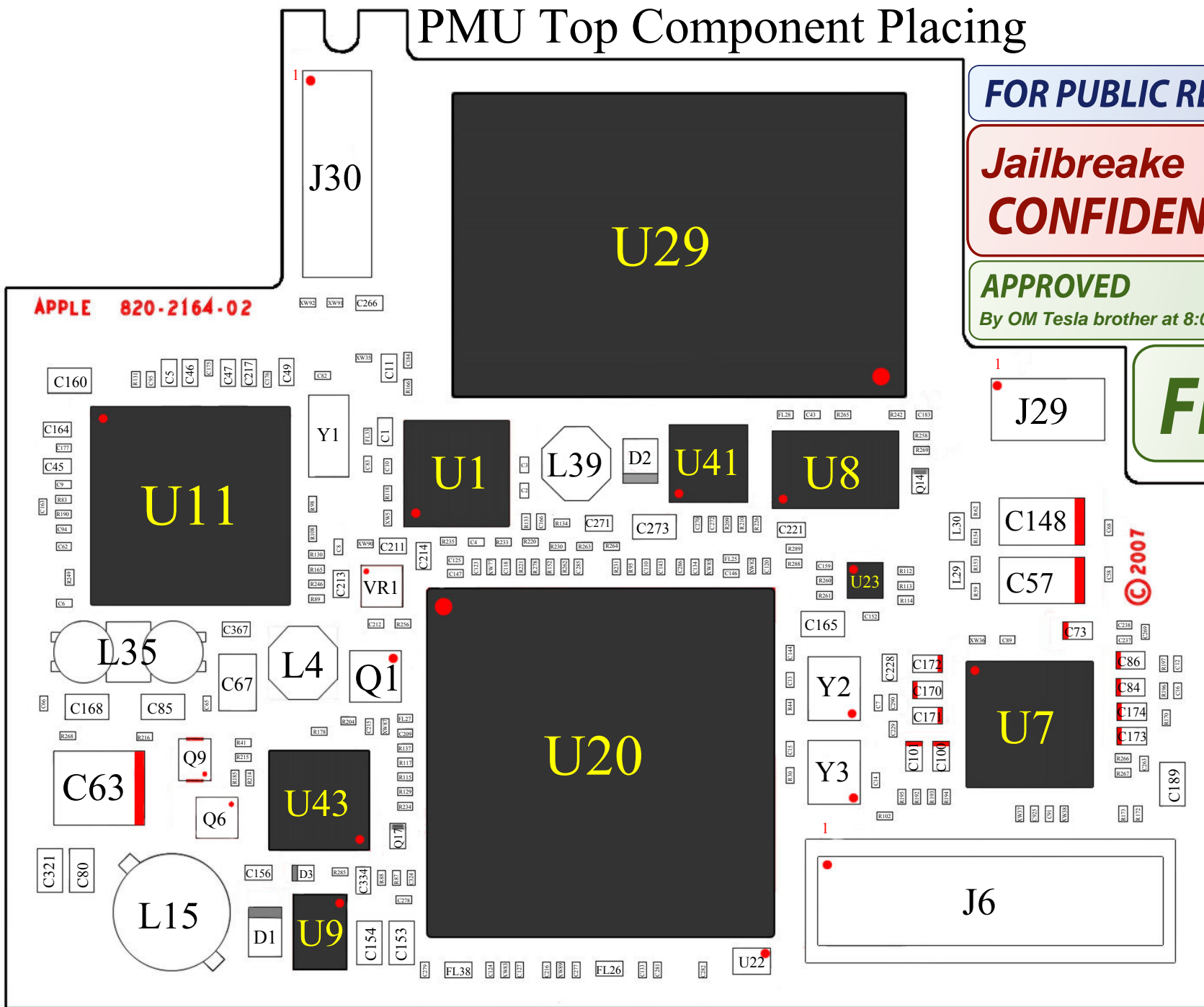
**Jailbreak**  
**CONFIDENTIAL**

**APPROVED**  
By OM Tesla brother at 7:58 pm, Feb 03, 2012

**FINAL**

**FOR PUBLIC RELEASE**

# PMU Top Component Placing



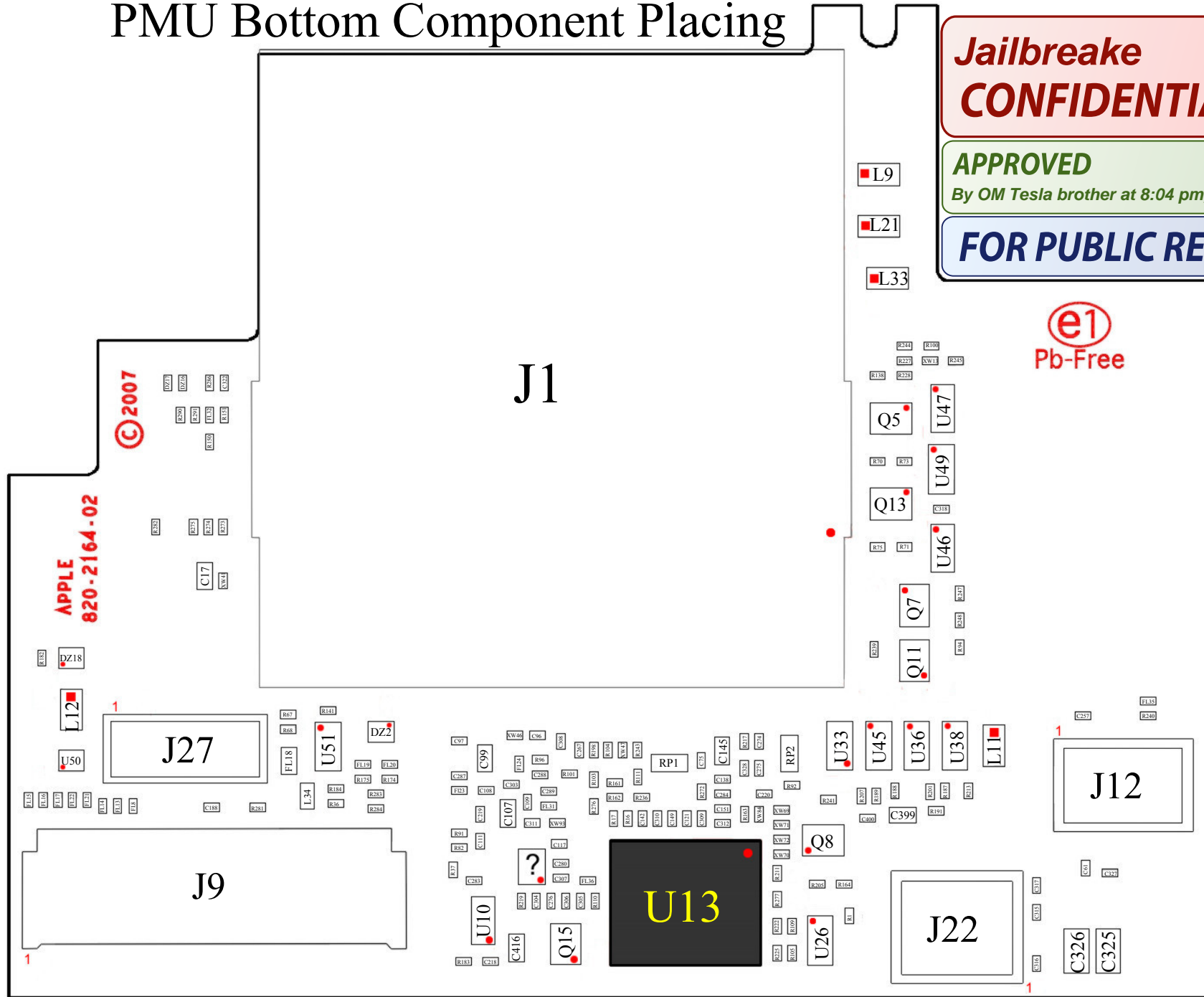
FOR PUBLIC RELEASE

Jailbreak  
**CONFIDENTIAL**

APPROVED  
By OM Tesla brother at 8:02 pm, Feb 03, 2012

**FINAL**

# PMU Bottom Component Placing



**Jailbreak**  
**CONFIDENTIAL**

**APPROVED**  
By OM Tesla brother at 8:04 pm, Feb 03, 2012

**FOR PUBLIC RELEASE**

**e1**  
Pb-Free

**FINAL**

8

7

6

5

4

3

2

1

- 1. ALL RESISTANCE VALUES ARE IN OHMS, 0.1 WATT +/- 5%.
- 2. ALL CAPACITANCE VALUES ARE IN MICROFARADS.
- 3. ALL CRYSTALS & OSCILLATOR VALUES ARE IN HERTZ.

REV	ZONE	ECN	DESCRIPTION OF CHANGE	CK APPD	ENG APPD
				DATE	DATE
27		472272	ENGINEERING RELEASED	11/07/06	?

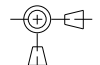

# IPOD M68 RADIO

## DVT - 11/06/06

PAGE	CONTENTS
02	BASEBAND
03	BASEBAND + MEMORY
04	BASEBAND PMU
05	GSM RF
06	SYSTEM CONNECTORS
07	BLUETOOTH
08	WLAN RADIO
09	FUNCTIONAL TEST POINTS

BOARD - 820-2021  
 SCHEMATIC - 051-7111  
 BOM - 630-7588

PART#	QTY	DESCRIPTION	REFERENCE DESIGNATOR(S)	CRITICAL	BOM OPTION
051-7111	1	M68_RADIO_SCHEMATIC	SCH	Y	
820-2021	1	M68_RADIO_PCB	PCB	Y	
825-2029	1	EEE	EEE:VKT	Y	

DIMENSIONS ARE IN MILLIMETERS XX : _____ X.XX : _____ X.XXX : _____ ANGLES : _____ DO NOT SCALE DRAWING  THIRD ANGLE PROJECTION	<b>METRIC</b>		 Apple Computer Inc.  <b>NOTICE OF PROPRIETARY PROPERTY</b> THE INFORMATION CONTAINED HEREIN IS THE PROPRIETARY PROPERTY OF APPLE COMPUTER, INC. THE POSSESSOR AGREES TO THE FOLLOWING: I TO MAINTAIN THE DOCUMENT IN CONFIDENCE II NOT TO REPRODUCE OR COPY IT III NOT TO REVEAL OR PUBLISH IN WHOLE OR PART	
	DRAPTER	DESIGN CK		TITLE
	ENG APPD	MFG APPD		
	QA APPD	DESIGNER		
RELEASE	SCALE	NONE		
MATERIAL/FINISH NOTED AS APPLICABLE	SIZE	D	DRAWING NUMBER 051-7111 REV. 27	
			SHT 1 OF 11	

8

7

6

5

4

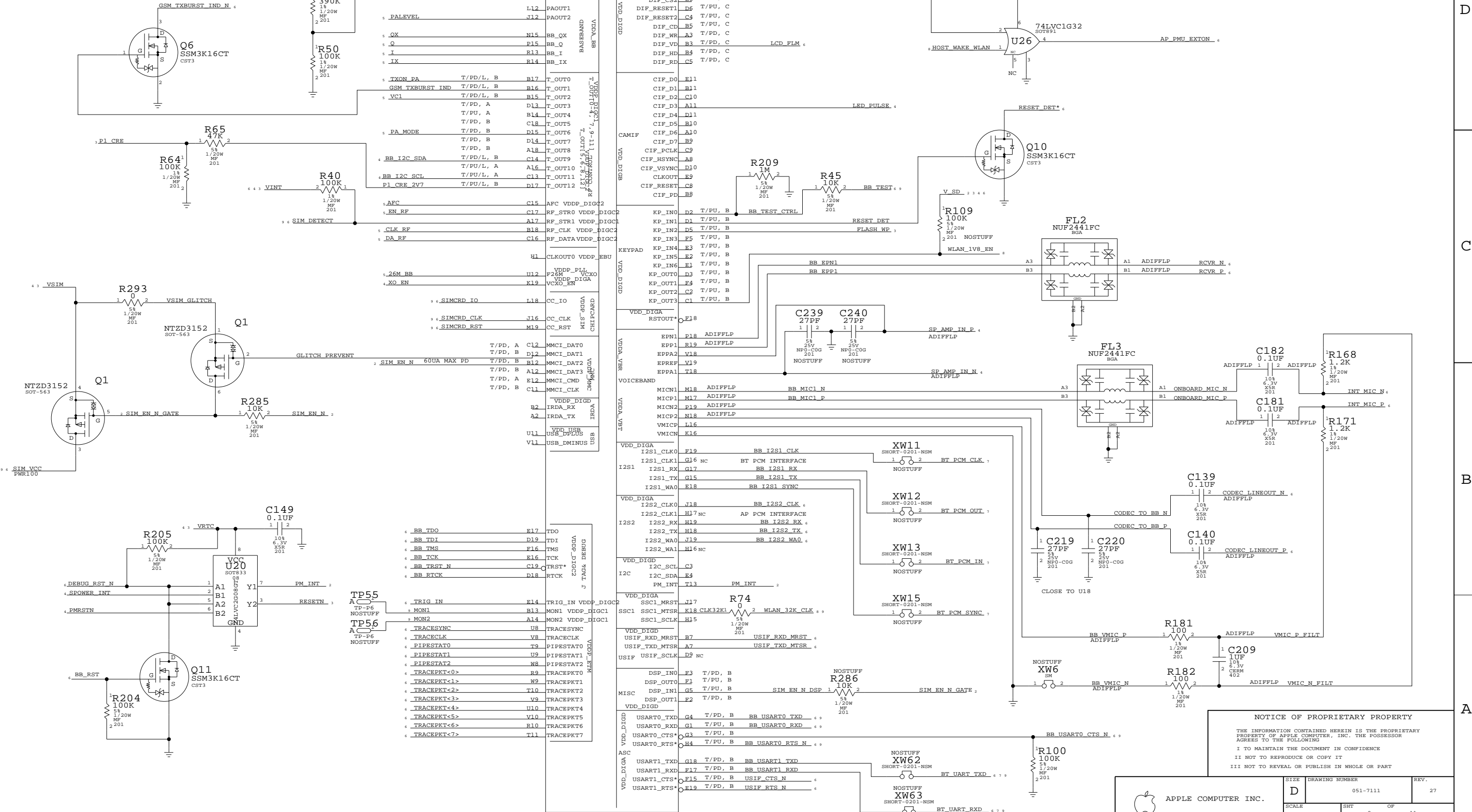
3

2

1

# GSM BB

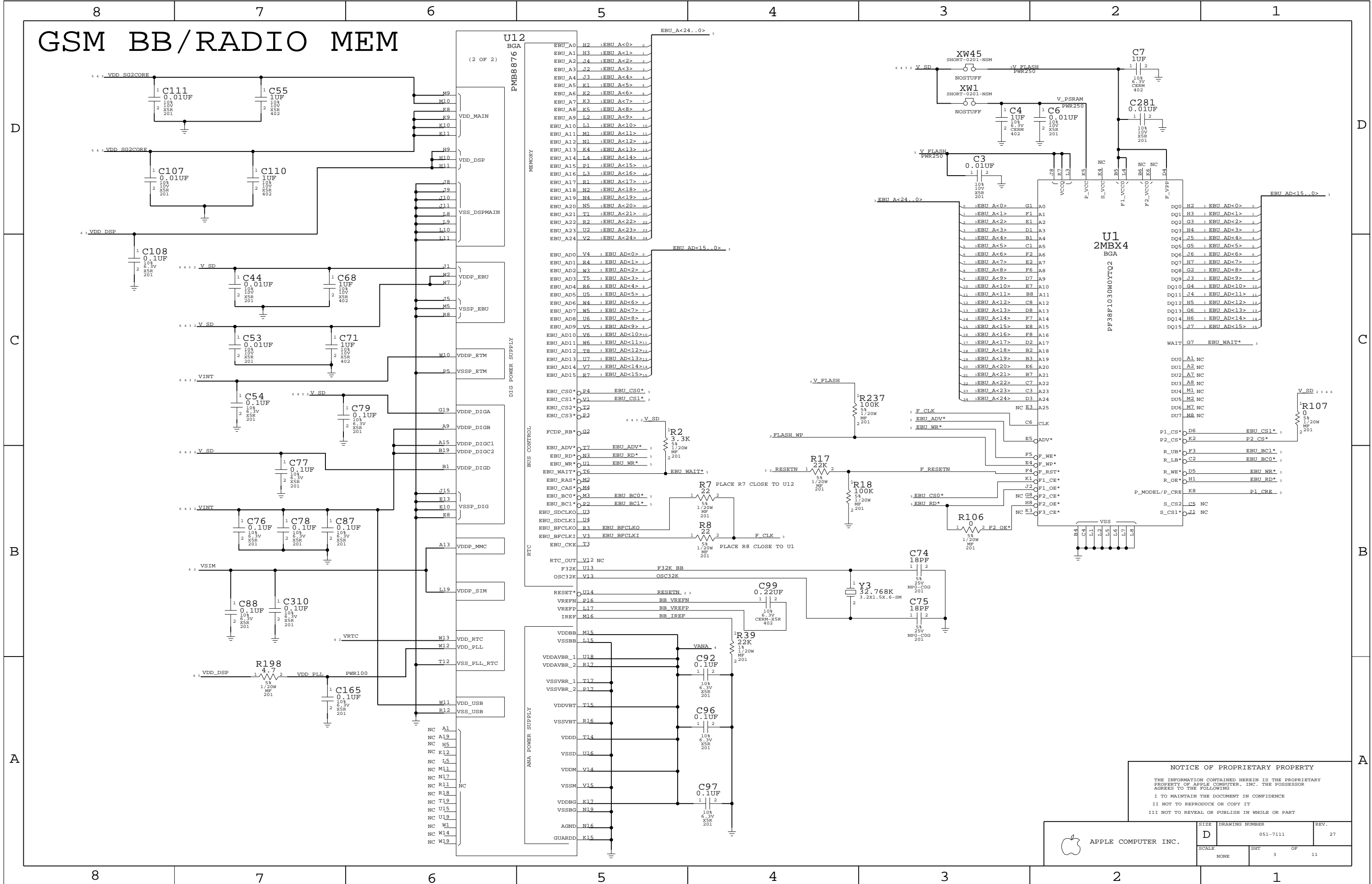
HW ID RESISTOR (R41)  
 3.3K = M62 DEV  
 6.8K = M68 RADIO PROTO1 & 2  
 10K = TBD  
 15K = TBD  
 22K = TBD  
 33K = TBD



**NOTICE OF PROPRIETARY PROPERTY**  
 THE INFORMATION CONTAINED HEREIN IS THE PROPRIETARY PROPERTY OF APPLE COMPUTER, INC. THE POSSESSOR AGREES TO THE FOLLOWING:  
 I TO MAINTAIN THE DOCUMENT IN CONFIDENCE  
 II NOT TO REPRODUCE OR COPY IT  
 III NOT TO REVEAL OR PUBLISH IN WHOLE OR PART

APPLE COMPUTER INC.	SIZE	DRAWING NUMBER	REV.
	D	051-7111	27
SCALE	SHT	OF	11
NONE	2		

# GSM BB/RADIO MEM



**NOTICE OF PROPRIETARY PROPERTY**

THE INFORMATION CONTAINED HEREIN IS THE PROPRIETARY PROPERTY OF APPLE COMPUTER, INC. THE POSSESSOR AGREES TO THE FOLLOWING

I TO MAINTAIN THE DOCUMENT IN CONFIDENCE

II NOT TO REPRODUCE OR COPY IT

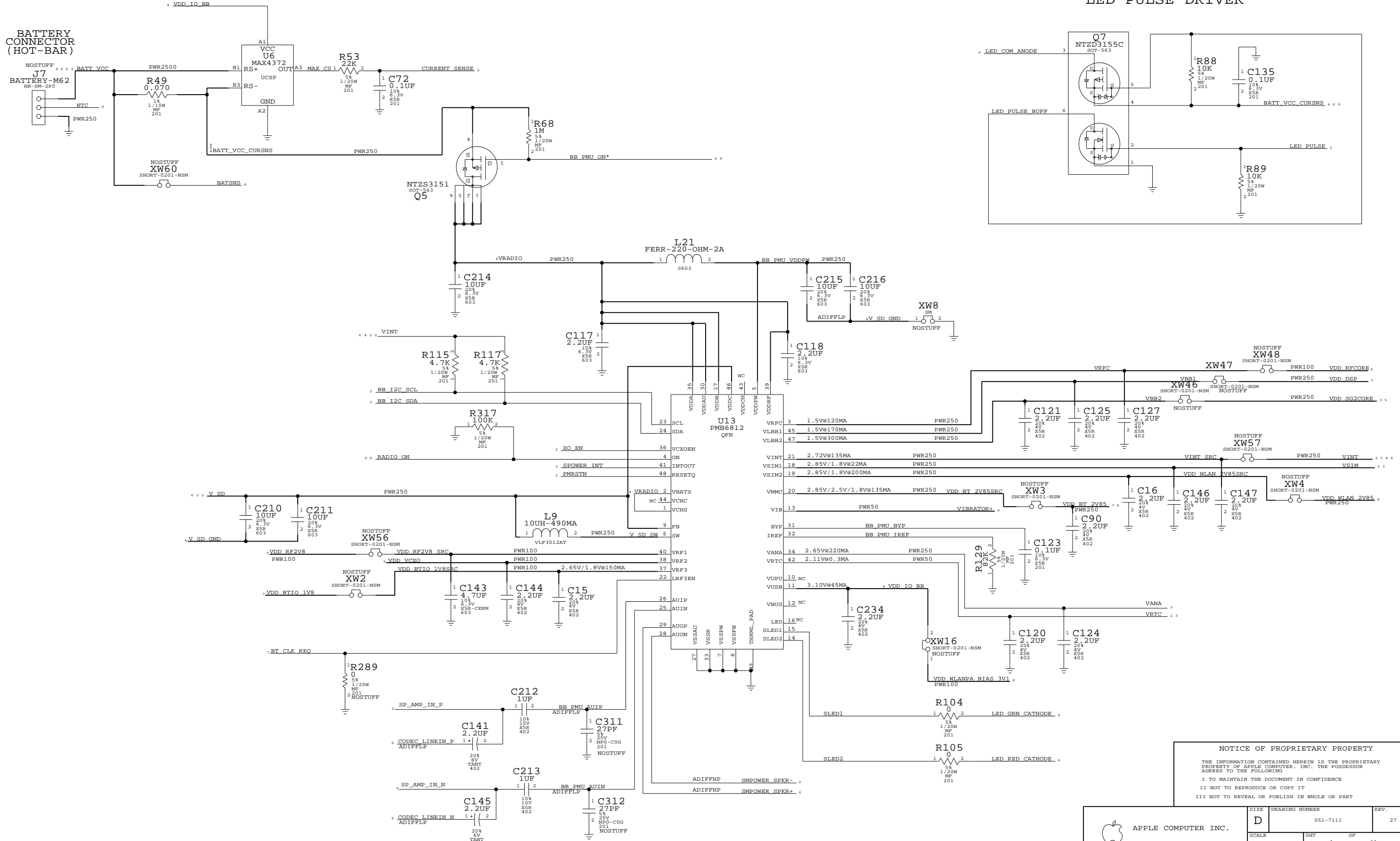
III NOT TO REVEAL OR PUBLISH IN WHOLE OR PART

APPLE COMPUTER INC.	SIZE <b>D</b>	DRAWING NUMBER 051-7111	REV. 27
	SCALE NONE	SHEET 3	OF 11



# PMU

## LED PULSE DRIVER



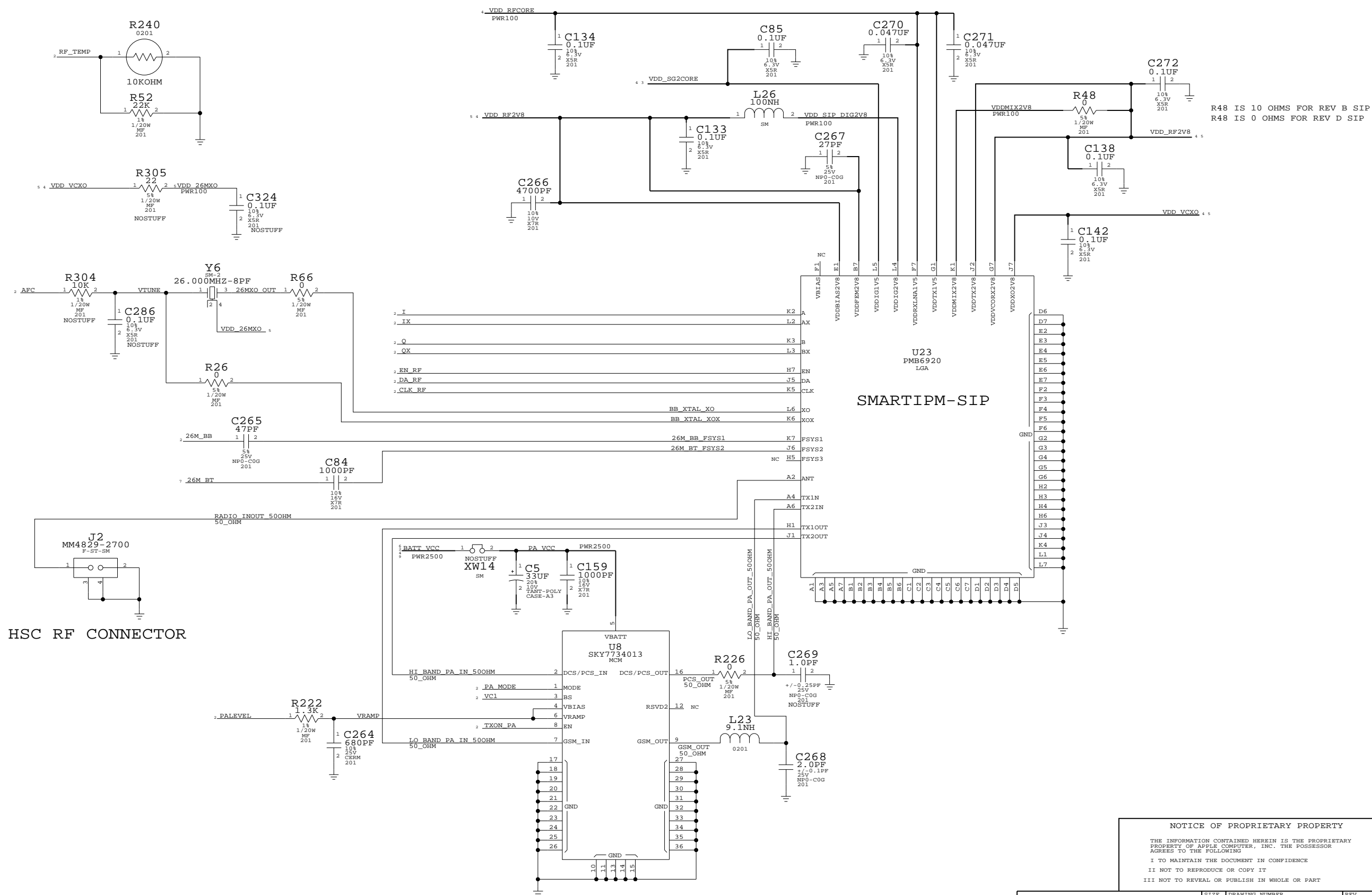
**NOTICE OF PROPRIETARY PROPERTY**

THE INFORMATION CONTAINED HEREIN IS THE PROPRIETARY PROPERTY OF APPLE COMPUTER, INC. THE POSSESSOR AGREES TO THE FOLLOWING:

- I TO MAINTAIN THE DOCUMENT IN CONFIDENCE
- II NOT TO REPRODUCE OR COPY IT
- III NOT TO REVEAL OR PUBLISH IN WHOLE OR PART

APPLE COMPUTER INC.	SIZE	DRAWING NUMBER	REV.
	D	051-7111	27
SCALE	SHT	OF	11
NONE	4		

# GSM RF - SMARTIPM-SIP + SKYWORKS



**NOTICE OF PROPRIETARY PROPERTY**

THE INFORMATION CONTAINED HEREIN IS THE PROPRIETARY PROPERTY OF APPLE COMPUTER, INC. THE POSSESSOR AGREES TO THE FOLLOWING

I TO MAINTAIN THE DOCUMENT IN CONFIDENCE

II NOT TO REPRODUCE OR COPY IT

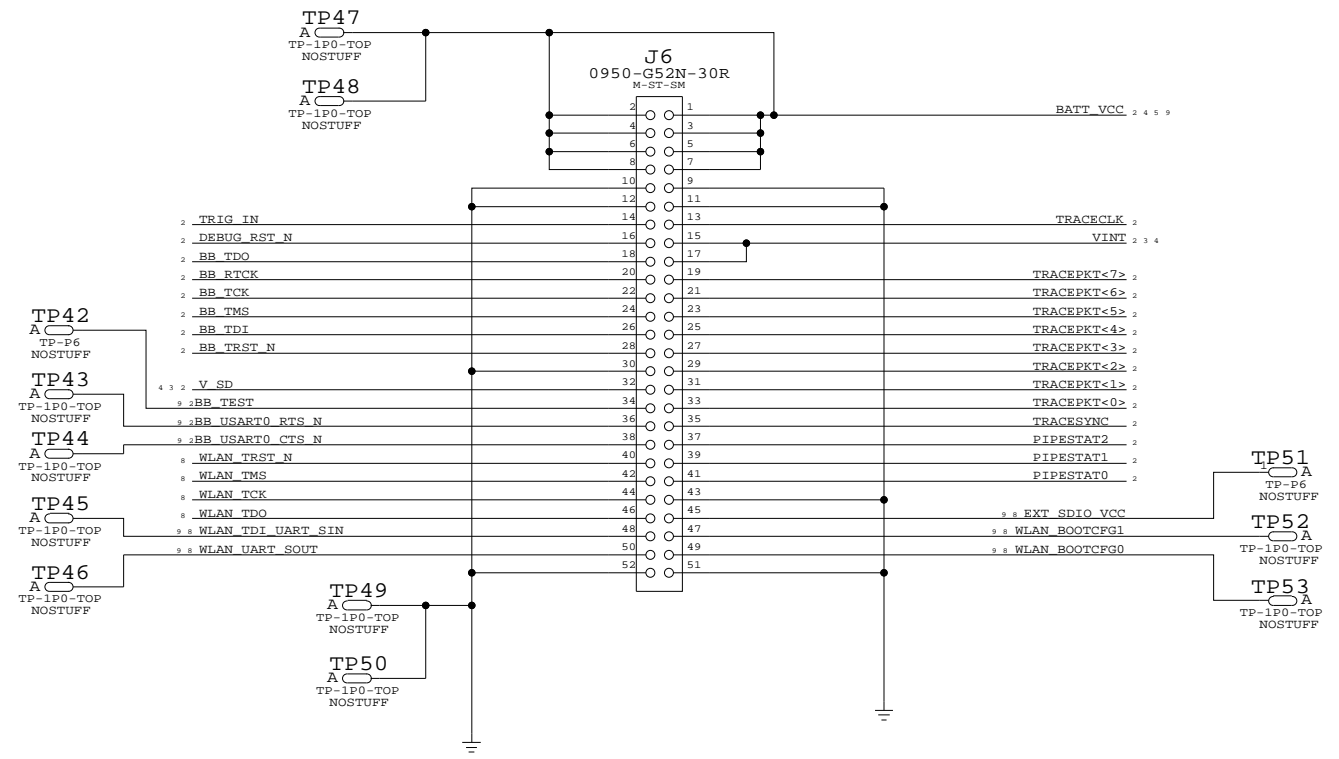
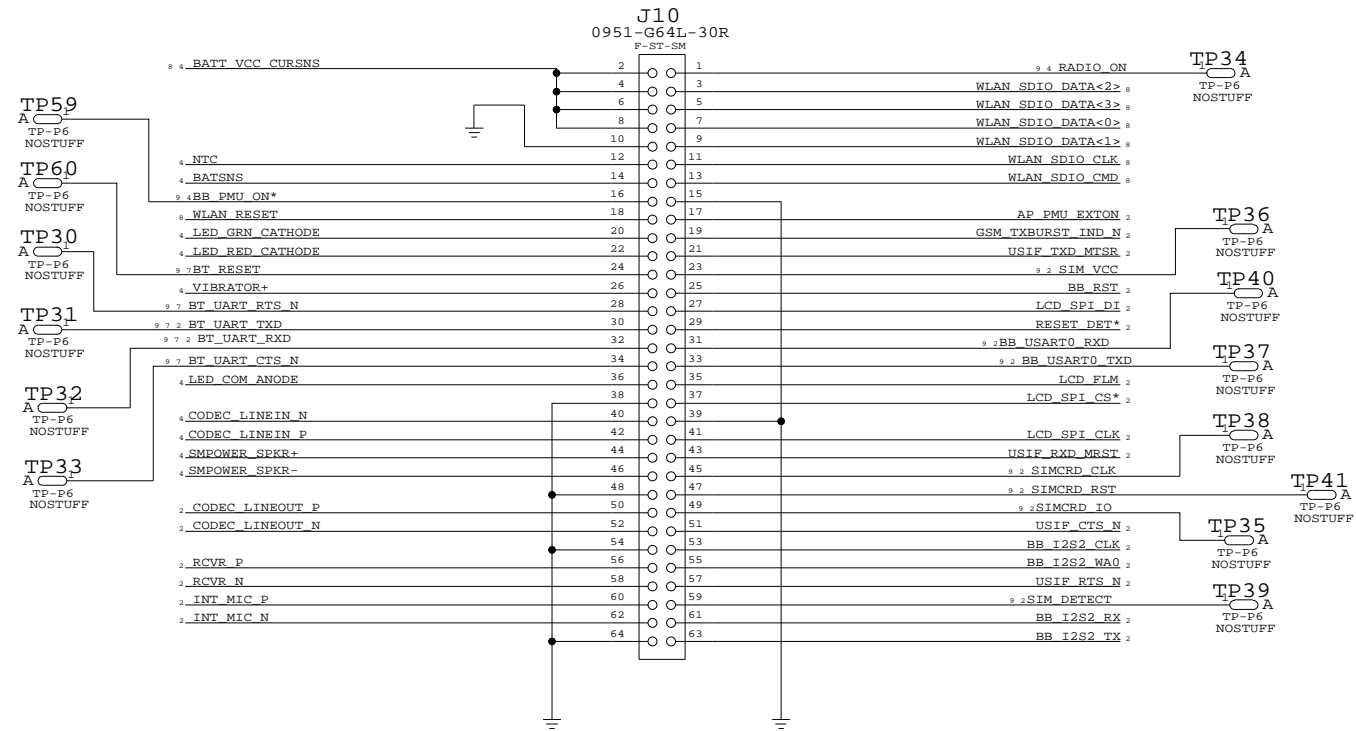
III NOT TO REVEAL OR PUBLISH IN WHOLE OR PART

APPLE COMPUTER INC.	SIZE <b>D</b>	DRAWING NUMBER 051-7111	REV. 27
	SCALE NONE	SHEET 5	OF 11

# SYSTEM CONNECTORS

## AP CONNECTOR 516S0505

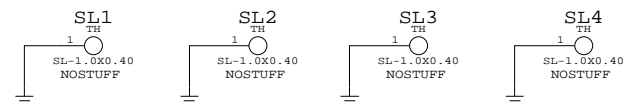
## DEBUG CONNECTOR 998-1410



## SHIELD CAN



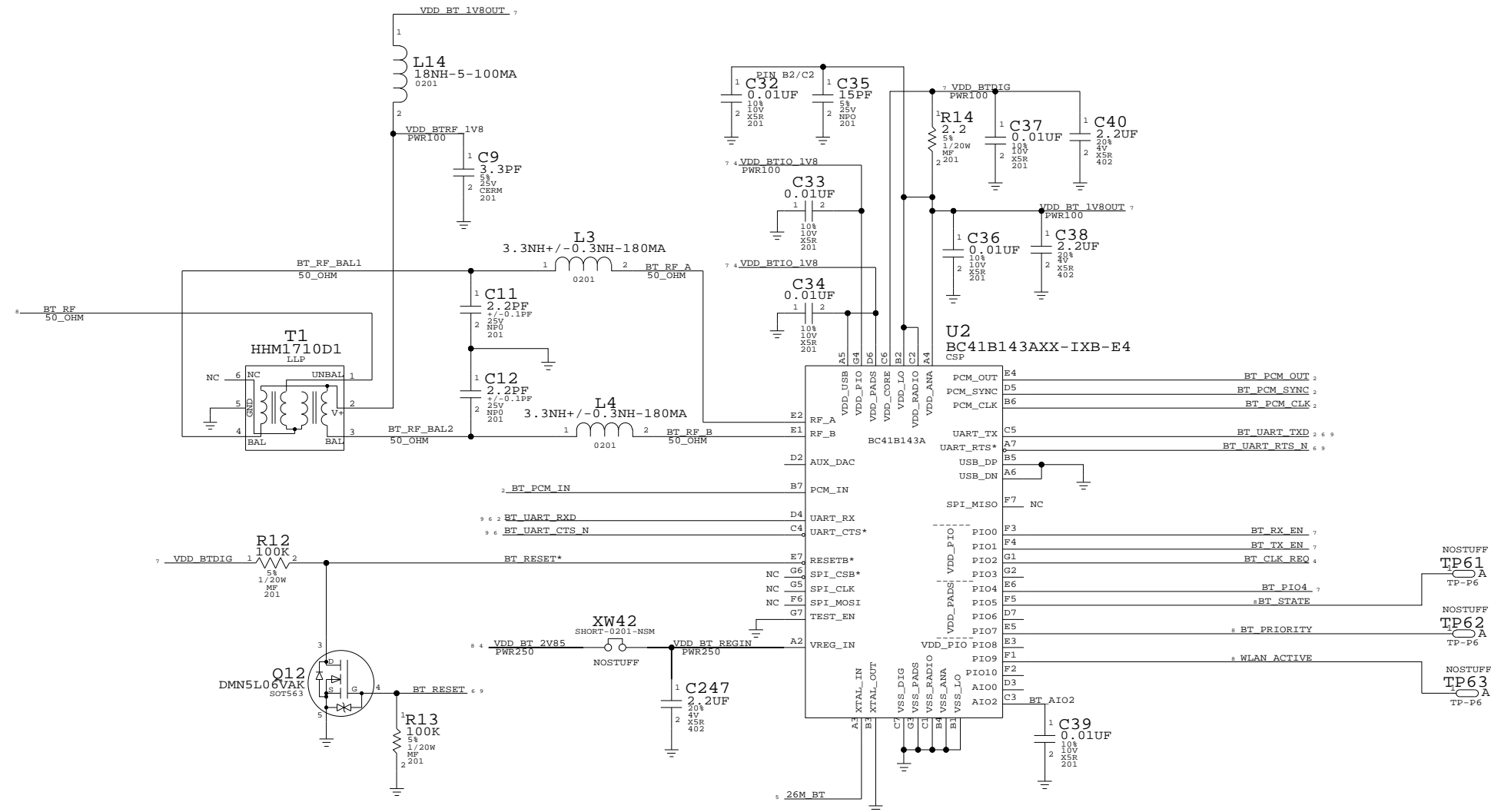
## SHIELD CAN ALIGNMENT SLOTS



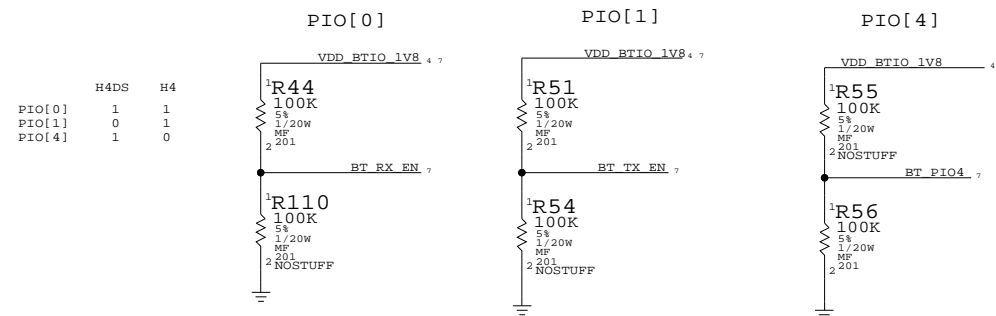
**NOTICE OF PROPRIETARY PROPERTY**  
 THE INFORMATION CONTAINED HEREIN IS THE PROPRIETARY PROPERTY OF APPLE COMPUTER, INC. THE POSSESSOR AGREES TO THE FOLLOWING:  
 I TO MAINTAIN THE DOCUMENT IN CONFIDENCE  
 II NOT TO REPRODUCE OR COPY IT  
 III NOT TO REVEAL OR PUBLISH IN WHOLE OR PART

APPLE COMPUTER INC.	SIZE	DRAWING NUMBER	REV.
	D	051-7111	27
SCALE	SHT		OF
NONE	6		11

# BLUETOOTH RADIO



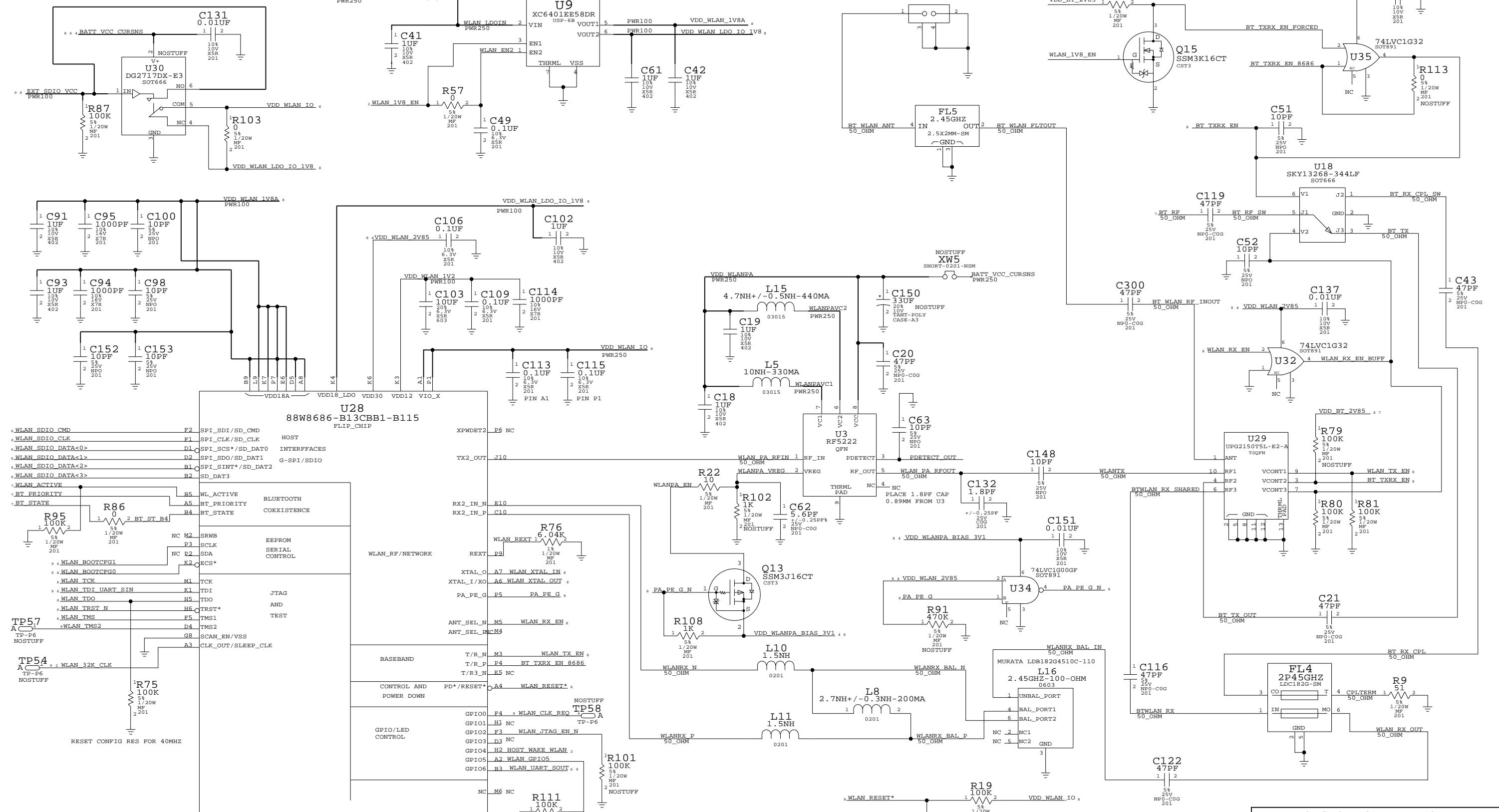
## HOST TRANSPORT CONFIGURATION RESISTORS



**NOTICE OF PROPRIETARY PROPERTY**  
 THE INFORMATION CONTAINED HEREIN IS THE PROPRIETARY PROPERTY OF APPLE COMPUTER, INC. THE POSSESSOR AGREES TO THE FOLLOWING:  
 I TO MAINTAIN THE DOCUMENT IN CONFIDENCE  
 II NOT TO REPRODUCE OR COPY IT  
 III NOT TO REVEAL OR PUBLISH IN WHOLE OR PART

APPLE COMPUTER INC.	SIZE	DRAWING NUMBER	REV.
	D	051-7111	27
SCALE	SHT		OF
NONE	7		11

# WLAN RADIO



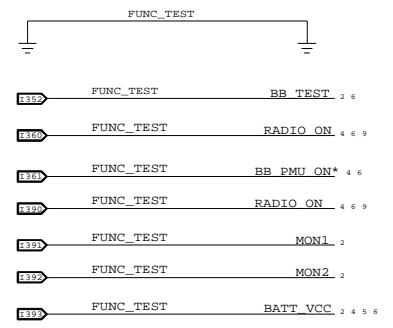
8686 I/O VOLTAGES:  
 VIO\_X (PIN A1): HOST I/P, GPIO, RESETN, CLK\_OUT, TMS2  
 VIO\_X (PIN P1): EEPROM, JTAG  
 VDD30: TR SW, ANT SW, PA PE  
 VDD18\_X3: INTERNAL 1.2V LDO, BT COEX

**NOTICE OF PROPRIETARY PROPERTY**  
 THE INFORMATION CONTAINED HEREIN IS THE PROPRIETARY PROPERTY OF APPLE COMPUTER, INC. THE POSSESSOR AGREES TO THE FOLLOWING:  
 I TO MAINTAIN THE DOCUMENT IN CONFIDENCE  
 II NOT TO REPRODUCE OR COPY IT  
 III NOT TO REVEAL OR PUBLISH IN WHOLE OR PART

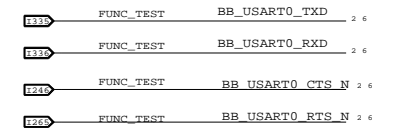
APPLE COMPUTER INC.	SIZE <b>D</b>	DRAWING NUMBER 051-7111	REV. 27
	SCALE NONE	SHEET 8	OF 11

# FUNCTIONAL TEST POINTS

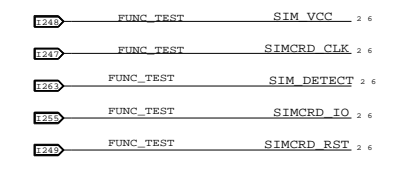
## BB CONTROL



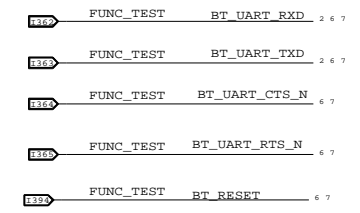
## BB USART TEST POINTS



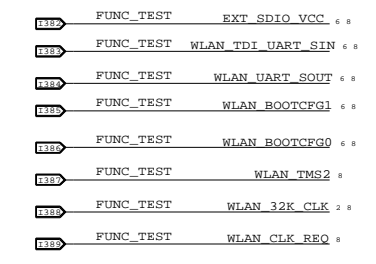
## SIM CARD TEST POINTS



## BLUETOOTH



## WLAN



**NOTICE OF PROPRIETARY PROPERTY**  
 THE INFORMATION CONTAINED HEREIN IS THE PROPRIETARY PROPERTY OF APPLE COMPUTER, INC. THE POSSESSOR AGREES TO THE FOLLOWING:  
 I TO MAINTAIN THE DOCUMENT IN CONFIDENCE  
 II NOT TO REPRODUCE OR COPY IT  
 III NOT TO REVEAL OR PUBLISH IN WHOLE OR PART

APPLE COMPUTER INC.	SIZE <b>D</b>	DRAWING NUMBER 051-7111	REV. 27
	SCALE NONE	SHEET 9	OF 11



	8	7	6	5	4	3	2	1	
	Title: Cref Part Report Design: m68 Date: Nov 6 14:16:29 2006								
D	C3 CAP_201 m68[3D3] C4 CAP_402 m68[3D3] C5 CAP_P_CASE-A3 m68[5B5] C6 CAP_201 m68[3D2] C7 CAP_402 m68[3D2] C9 CAP_201 m68[7C6] C11 CAP_201 m68[7C6] C12 CAP_201 m68[7C6] C15 CAP_402 m68[4B5] C16 CAP_402 m68[4B2] C18 CAP_402 m68[8C5] C19 CAP_402 m68[8C5] C20 CAP_201 m68[8C4] C21 CAP_201 m68[8B2] C32 CAP_201 m68[7D5] C33 CAP_201 m68[7C5] C34 CAP_201 m68[7C5] C35 CAP_201 m68[7D5] C36 CAP_201 m68[7C4] C37 CAP_201 m68[7D4] C38 CAP_402 m68[7C4] C39 CAP_201 m68[7B4] C40 CAP_402 m68[7D4] C41 CAP_402 m68[8D6] C42 CAP_402 m68[8D5] C43 CAP_201 m68[8C1] C44 CAP_201 m68[3C7] C49 CAP_201 m68[8D6] C51 CAP_201 m68[8D2] C52 CAP_201 m68[8C2] C53 CAP_201 m68[3C7] C54 CAP_201 m68[3C7] C55 CAP_402 m68[3D7] C61 CAP_402 m68[8D5] C62 CAP_201 m68[8B4] C63 CAP_201 m68[8B4] C65 CAP_201 m68[8C3] C68 CAP_402 m68[3C7] C70 CAP_201 m68[2D3] C71 CAP_402 m68[3C7] C72 CAP_201 m68[4D6] C74 CAP_201 m68[3B3] C75 CAP_201 m68[3B3] C76 CAP_201 m68[3B7] C77 CAP_201 m68[3B7] C78 CAP_201 m68[3B7] C79 CAP_201 m68[3C7] C84 CAP_201 m68[5B6] C85 CAP_201 m68[5D4] C87 CAP_201 m68[3B7] C88 CAP_201 m68[3B7] C90 CAP_402 m68[4B2] C91 CAP_402 m68[8C5] C92 CAP_201 m68[3A4] C93 CAP_402 m68[8C8] C94 CAP_201 m68[8C8] C95 CAP_201 m68[8C8] C96 CAP_201 m68[3A4] C97 CAP_201 m68[3A4] C98 CAP_201 m68[8C8] C99 CAP_402 m68[3B4] C100 CAP_201 m68[8C8] C102 CAP_402 m68[8C5] C103 CAP_603 m68[8C6] C106 CAP_201 m68[8C6] C107 CAP_201 m68[3D8] C108 CAP_201 m68[3C8] C109 CAP_201 m68[8C6] C110 CAP_402 m68[3D7] C111 CAP_201 m68[3D8] C113 CAP_201 m68[8C6] C114 CAP_201 m68[8C6] C115 CAP_201 m68[8C5] C116 CAP_201 m68[8A3] C117 CAP_603 m68[4C5] C118 CAP_603 m68[4C4] C119 CAP_201 m68[8C2] C120 CAP_402 m68[4A3] C121 CAP_402 m68[4B3] C122 CAP_201 m68[8A2] C123 CAP_201 m68[4B3] C124 CAP_402 m68[4A3] C125 CAP_402 m68[4B2] C127 CAP_402 m68[4B2] C131 CAP_201 m68[8D7] C132 CAP_201 m68[8B3] C133 CAP_201 m68[5D4] C134 CAP_201 m68[5D5] C135 CAP_201 m68[4D2] C136 CAP_201 m68[8A5] C137 CAP_201 m68[8C2] C138 CAP_201 m68[5C2] C139 CAP_201 m68[2B2] C140 CAP_201 m68[2B2] C141 CAP_P_402 m68[4A6] C142 CAP_201 m68[5C2] C143 CAP_603 m68[4B6] C144 CAP_402 m68[4B6] C145 CAP_P_402 m68[4A6] C146 CAP_402 m68[4B2] C147 CAP_402 m68[4B2] C148 CAP_201 m68[8B3] C149 CAP_201 m68[2B7] C150 CAP_P_CASE-A3 m68[8C4] C151 CAP_201 m68[8B3] C152 CAP_201 m68[8C8] C153 CAP_201 m68[8C8] C159 CAP_201 m68[5B5] C165 CAP_201 m68[3A7] C181 CAP_201 m68[2B2] C182 CAP_201 m68[2B2] C209 CAP_402 m68[2A2] C210 CAP_603 m68[4B7] C211 CAP_603 m68[4B7] C212 CAP_402 m68[4A5] C213 CAP_402 m68[4A5] C214 CAP_603 m68[4C6] C215 CAP_603 m68[4C4] C216 CAP_603 m68[4C4]	C219 CAP_201 m68[2B3] C220 CAP_201 m68[2B3] C234 CAP_402 m68[4A4] C239 CAP_201 m68[2C4] C240 CAP_201 m68[2C4] C247 CAP_402 m68[7B5] C264 CAP_201 m68[5A6] C265 CAP_201 m68[5B6] C266 CAP_201 m68[5C5] C267 CAP_201 m68[5D3] C268 CAP_201 m68[5A4] C269 CAP_201 m68[5A3] C270 CAP_201 m68[5D3] C271 CAP_201 m68[5D3] C272 CAP_201 m68[5D2] C281 CAP_201 m68[3D2] C286 CAP_201 m68[5C7] C300 CAP_201 m68[8C3] C310 CAP_201 m68[3B7] C311 CAP_201 m68[4A5] C312 CAP_201 m68[4A5] C324 CAP_201 m68[5C6] FL2 FIL_NUF2441FC_SWAP_B m68[2C3] GA FL3 FIL_NUF2441FC_SWAP_B m68[2B2] GA FL4 FILTER_LDC182G_LDC18 m68[8B2] 2G-SM FL5 FILTER_LFB2H_2_5X2MM m68[8D4] -SM J2 CON_F2ST_COAX_S2MT_S m68[5B7] M_F-ST-SM J4 CON_F2ST_COAX_S2MT_S m68[8D4] M_F-ST-SM J6 CON_M52ST_D_SM_M-ST- m68[6C3] SM J7 CON_3HB_S_HB-SM-2P0 m68[4D8] J10 CON_F64ST_D_SM_F-ST- m68[6C6] SM L3 IND_0201 m68[7C5] L4 IND_0201 m68[7C5] L5 IND_03015 m68[8C4] L8 IND_0201 m68[8A4] L9 IND_VLF2012AT m68[4B5] L10 IND_0201 m68[8A4] L11 IND_0201 m68[8A4] L14 IND_0201 m68[8D6] L15 IND_03015 m68[8C4] L16 FIL_LDB18_0603 m68[8A3] L21 IND_0603 m68[4C5] L23 IND_0201 m68[5A4] L26 IND_SM m68[5D4] Q1 TRA_DUAL_PCH_NTZD315 m68[2B8 2B7] 2_SOT-563 Q5 TRA_PCH_NTZS3151_SOT m68[4C6] 563 Q6 TRA_MOSFET_NCHN_3P_C m68[2D8] ST3 Q7 TRA_DUAL_NPCH_NTZD31 m68[4D2] 55C_SOT-563 Q10 TRA_MOSFET_NCHN_3P_C m68[2C3] ST3 Q11 TRA_MOSFET_NCHN_3P_C m68[2A7] ST3 Q12 TRA_DUAL_DMNSL06VAK_ m68[7B6] SOT563 Q12 TRA_DUAL_DMNSL06VAK_ m68[8A4] SOT563 Q13 TRA_PCH_SSM316CT_CS m68[8B5] T3 R2 RES_201 m68[3B5] R7 RES_201 m68[3B4] R8 RES_201 m68[3B4] R9 RES_201 m68[8A1] R12 RES_201 m68[7B6] R13 RES_201 m68[7B6] R14 RES_201 m68[7D4] R17 RES_201 m68[3B4] R18 RES_201 m68[3B4] R19 RES_201 m68[8A3] R20 RES_201 m68[8A3] R22 RES_201 m68[8B5] R23 RES_201 m68[8C3] R24 RES_201 m68[8C3] R26 RES_201 m68[5C6] R39 RES_201 m68[3A4] R40 RES_201 m68[2C7] R41 RES_201 m68[2D7] R42 RES_201 m68[2D7] R44 RES_201 m68[7A5] R45 RES_201 m68[2C4] R48 RES_201 m68[5D2] R49 RES_201 m68[4D7] R50 RES_201 m68[2D7] R51 RES_201 m68[7A5] R52 RES_201 m68[5D7] R53 RES_201 m68[4D6] R54 RES_201 m68[7A5] R55 RES_201 m68[7A4] R56 RES_201 m68[7A4] R57 RES_201 m68[8D6] R64 RES_201 m68[2C7] R65 RES_201 m68[2C7] R66 RES_201 m68[5C6] R68 RES_201 m68[4D5] R74 RES_201 m68[2A4] R75 RES_201 m68[8A8] R76 RES_201 m68[8B6] R78 RES_201 m68[8C3] R79 RES_201 m68[8B2] R80 RES_201 m68[8B2] R81 RES_201 m68[8B1] R86 RES_201 m68[8B8] R87 RES_201 m68[8D8] R88 RES_201 m68[4D2] R89 RES_201 m68[4C2] R91 RES_201 m68[8B4] R95 RES_201 m68[8B8] R100 RES_201 m68[2A3] R101 RES_201 m68[8A5] R102 RES_201 m68[8B5] R103 RES_201 m68[8D7] R104 RES_201 m68[4A3] R105 RES_201 m68[4A3]	R106 RES_201 m68[3B3] R107 RES_201 m68[3C1] R108 RES_201 m68[8B5] R109 RES_201 m68[2C3] R110 RES_201 m68[7A5] R111 RES_201 m68[8A6] R115 RES_201 m68[4C6] R117 RES_201 m68[4C6] R129 RES_201 m68[4B3] R168 RES_201 m68[2B1] R171 RES_201 m68[2B1] R181 RES_201 m68[2A2] R182 RES_201 m68[2A2] R198 RES_201 m68[3A7] R204 RES_201 m68[2A8] R205 RES_201 m68[2B8] R209 RES_201 m68[2C4] R222 RES_201 m68[5A6] R226 RES_201 m68[5A4] R237 RES_201 m68[3C4] R240 THERMISTER_0201 m68[5D7] R285 RES_201 m68[2B7] R286 RES_201 m68[2A4] R289 RES_201 m68[4A6] R293 RES_201 m68[2C8] R304 RES_201 m68[5C7] R305 RES_201 m68[5C7] R317 RES_201 m68[4B6] SH1 SHLD_LP_SM1 m68[6A7] SH2 SHLD_LP_SM1 m68[6A6] SL1 SLOT_TH m68[6A7] SL2 SLOT_TH m68[6A7] SL3 SLOT_TH m68[6A6] SL4 SLOT_TH m68[6A6] T1 XFR_HHM1710D1_LLP m68[7C7] TP30 TP_TP-P6 m68[6C8] TP31 TP_TP-P6 m68[6C8] TP32 TP_TP-P6 m68[6C8] TP33 TP_TP-P6 m68[6B8] TP34 TP_TP-P6 m68[6C5] TP35 TP_TP-P6 m68[6B5] TP36 TP_TP-P6 m68[6C5] TP37 TP_TP-P6 m68[6C5] TP38 TP_TP-P6 m68[6C5] TP39 TP_TP-P6 m68[6B5] TP40 TP_TP-P6 m68[6C5] TP41 TP_TP-P6 m68[6B5] TP42 TP_TP-P6 m68[6C4] TP43 TP_TP-1P0-TOP m68[6C4] TP44 TP_TP-1P0-TOP m68[6C4] TP45 TP_TP-1P0-TOP m68[6B4] TP46 TP_TP-1P0-TOP m68[6B4] TP47 TP_TP-1P0-TOP m68[6C3] TP48 TP_TP-1P0-TOP m68[6C3] TP49 TP_TP-1P0-TOP m68[6B3] TP50 TP_TP-1P0-TOP m68[6B3] TP51 TP_TP-P6 m68[6C1] TP52 TP_TP-1P0-TOP m68[6B1] TP53 TP_TP-1P0-TOP m68[6B1] TP54 TP_TP-P6 m68[8A8] TP55 TP_TP-P6 m68[2A6] TP56 TP_TP-P6 m68[2A6] TP57 TP_TP-P6 m68[8B8] TP58 TP_TP-P6 m68[8A5] TP59 TP_TP-P6 m68[6C8] TP60 TP_TP-P6 m68[6C8] TP61 TP_TP-P6 m68[7B2] TP62 TP_TP-P6 m68[7B2] TP63 TP_TP-P6 m68[7B2] U1 FLASH_2MBX4_BG888_1_ m68[3D2] BGA U2 BC41B143A_CSP m68[7C5] U3 RF5222_QFN m68[8C4] U6 MAX4372_UCSP5_UCSP m68[4D7] U8 SKY77340_MCM m68[5B5] U9 LBRG_XC6401_USP_USP- m68[8D6] 6B U12 PMB8876_BGA m68[2D5] U12 PMB8876_BGA m68[3D6] U13 PMB6812_QFN m68[4B5] U18 SWI_SPDT_SKY13268_SO m68[8C2] T666 U20 74LVC2G08_SOT833 m68[2B7] U23 PMB6920_LGA m68[5C3] U26 74LVC1G32GF_SOT891 m68[2D3] U28 89W8686_CSP67_FL1P_C m68[8C7] HIP U29 SWI_UPG2150TSL_TSQFN m68[8B2] U30 SWI_SPDT_DG2717_SOT6 m68[8D8] 66 U32 74LVC1G32GF_SOT891 m68[8C2] U34 74LVC1G00_SOT891 m68[8B3] XW1 SHORT_SHORT-0201-NSM m68[3D3] XW2 SHORT_SHORT-0201-NSM m68[4B6] XW3 SHORT_SHORT-0201-NSM m68[4B3] XW4 SHORT_SHORT-0201-NSM m68[4B1] XW5 SHORT_SHORT-0201-NSM m68[8C3] XW6 SHORT_SM m68[2A3] XW8 SHORT6L25_WITH_ALTS_ m68[4C3] SM XW11 SHORT_SHORT-0201-NSM m68[2B4] XW12 SHORT_SHORT-0201-NSM m68[2B4] XW13 SHORT_SHORT-0201-NSM m68[2B4] XW14 SHORT_SM m68[5B5] XW15 SHORT_SHORT-0201-NSM m68[2A4] XW16 SHORT_SHORT-0201-NSM m68[4A3] XW17 SHORT_SM m68[2D7] XW18 SHORT_SHORT-0201-NSM m68[8D6] XW42 SHORT_SHORT-0201-NSM m68[7B5] XW45 SHORT_SHORT-0201-NSM m68[3D3] XW46 SHORT_SHORT-0201-NSM m68[4B2] XW47 SHORT_SHORT-0201-NSM m68[4C2] XW48 SHORT_SHORT-0201-NSM m68[4C1] XW56 SHORT_SHORT-0201-NSM m68[4B6] XW57 SHORT_SHORT-0201-NSM m68[4B2] XW60 SHORT_SHORT-0201-NSM m68[4C7] XW62 SHORT_SHORT-0201-NSM m68[2A4] XW63 SHORT_SHORT-0201-NSM m68[2A4] Y3 CRYSTAL_3_2X1.5X.6-S m68[3B4] M Y6 CRYSTAL_4PIN_SM-2 m68[5C6] Y7 CRYSTAL_4PIN_SM-2 m68[8A5]						
A									



IPOD M68 AP MLB 8-LAYER -11/10/06(A) DVT (AMPHENOL)

PAGE	CONTENTS
02	H1 PERIPH INTERFACES (UART/SDIO)
03	H1 DDR SDRAM INTERFACE , NOR
04	H1 NAND, NAND FLASH (MASS STORAGE)
05	H1 CORE POWER & GND, MPL CLCD INTERFACE
06	H1 CAMERA, VIDEO OUT
07	WM8758
08	FIREWIRE PWR, USB OVERVOLTAGE, 4066 CHARGER
09	POWER MANAGER (+CHARGER +LED BOOST)
10	HEADPHONE CONECTOR
11	DOCK
12	1A USB BRICK DETECT, ACCELEROMETER
13	LCM CONNECTOR, TOUCH PANEL (TP) CONNECTOR, MISC CONN.
14	RADIO->AP BOARD TO BOARD
15	FUNCTIONAL TEST

4GB BOM - 630-7888


8GB BOM - 630-7890

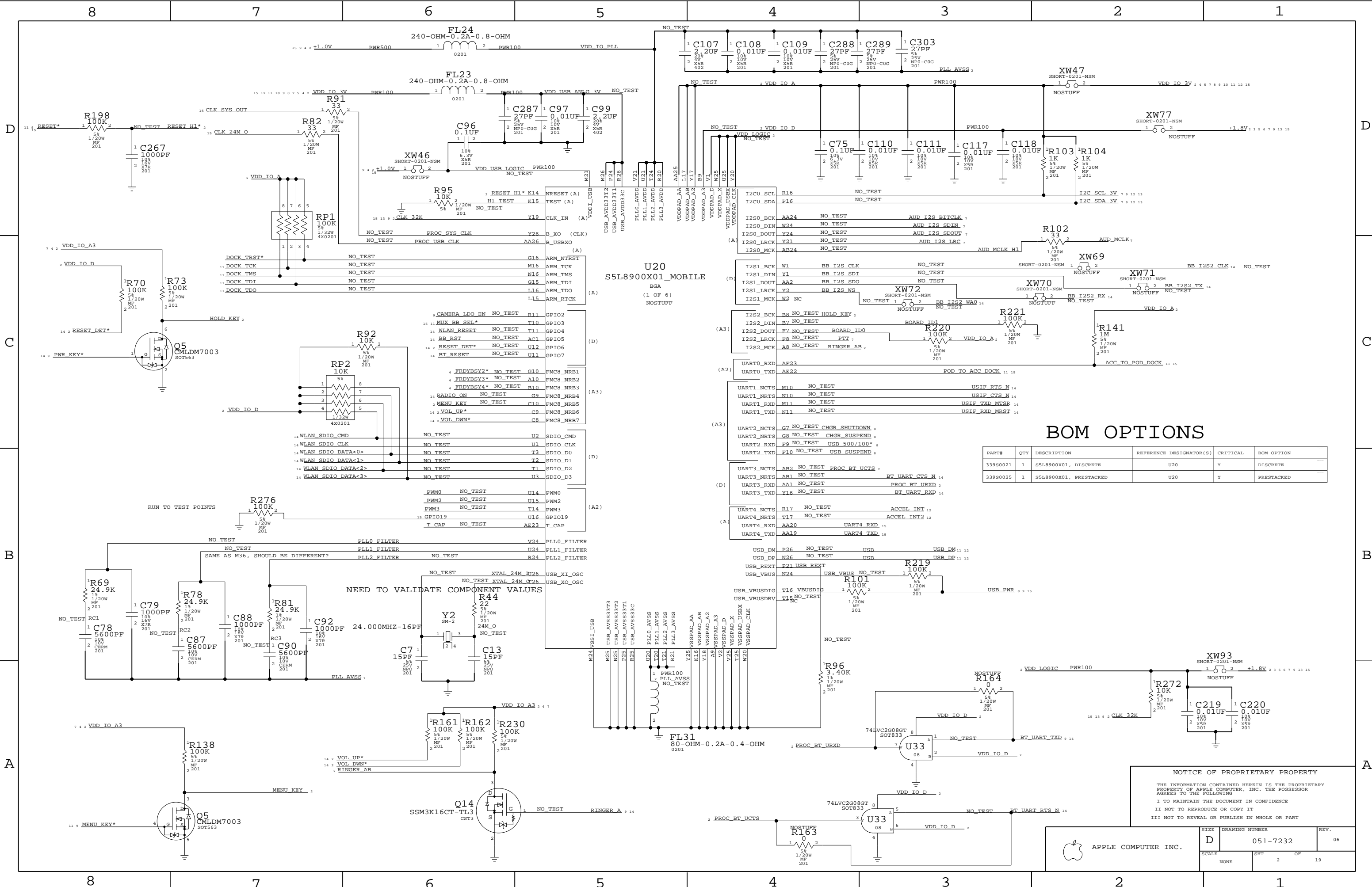
BOARD - 820-2106

SCHEMATIC - 051-7232

PART#	QTY	DESCRIPTION	REFERENCE DESIGNATOR(S)	CRITICAL	BOM OPTION
051-7232	1	M68_MLB_SCHEMATIC	SCH	Y	
820-2106	1	M68_MLB_PCB	PCB	Y	
825-2029	1	EEE	EEE:???	Y	
805-7511	1	SHIELD_FENCE	SH1	Y	
805-7513	1	SHIELD_BOTTOM	SH2	Y	
805-7514	1	SHIELD_BOTTOM	SH2	Y	

NOTICE OF PROPRIETARY PROPERTY  
 THE INFORMATION CONTAINED HEREIN IS THE PROPRIETARY PROPERTY OF APPLE COMPUTER, INC. THE POSSESSOR AGREES TO THE FOLLOWING  
 I TO MAINTAIN THE DOCUMENT IN CONFIDENCE  
 II NOT TO REPRODUCE OR COPY IT  
 III NOT TO REVEAL OR PUBLISH IN WHOLE OR PART

 APPLE COMPUTER INC.	SIZE D	DRAWING NUMBER 051-7232	REV. 06
	SCALE NONE	SH1 1	OF 19



### BOM OPTIONS

PART#	QTY	DESCRIPTION	REFERENCE DESIGNATOR(S)	CRITICAL	BOM OPTION
339S0021	1	S5L8900X01, DISCRETE	U20	Y	DISCRETE
339S0025	1	S5L8900X01, PRESTACKED	U20	Y	PRESTACKED

**NOTICE OF PROPRIETARY PROPERTY**

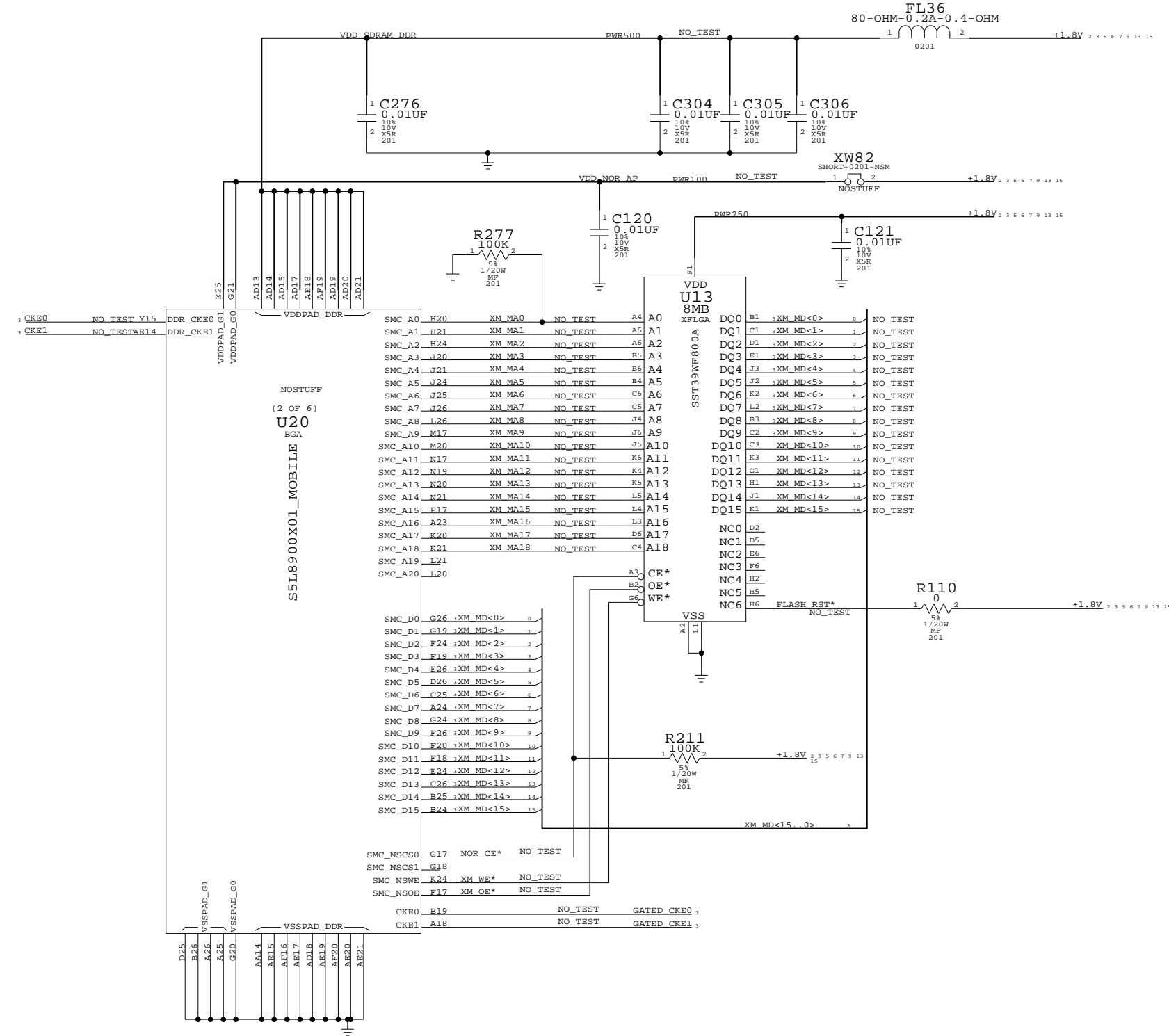
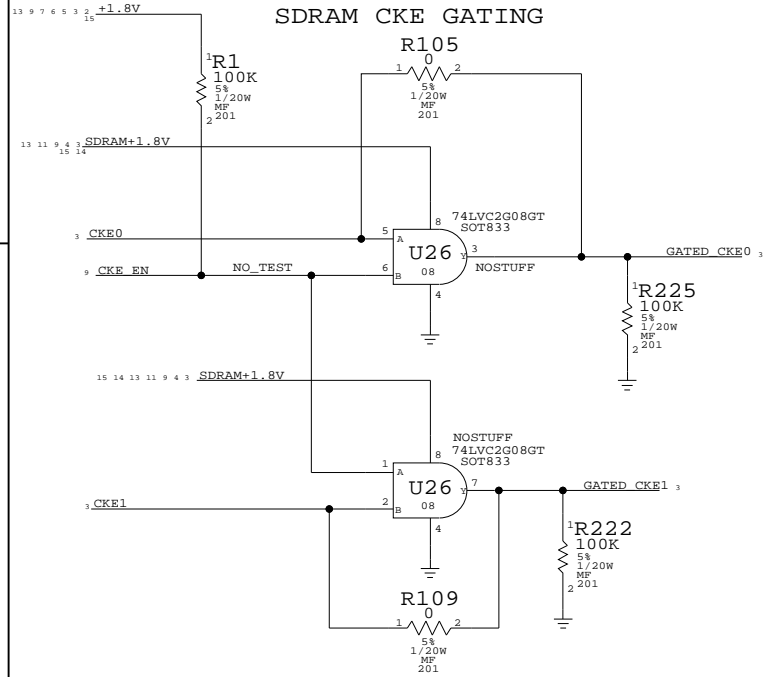
THE INFORMATION CONTAINED HEREIN IS THE PROPRIETARY PROPERTY OF APPLE COMPUTER, INC. THE POSSESSOR AGREES TO THE FOLLOWING:

I TO MAINTAIN THE DOCUMENT IN CONFIDENCE  
 II NOT TO REPRODUCE OR COPY IT  
 III NOT TO REVEAL OR PUBLISH IN WHOLE OR PART

APPLE COMPUTER INC.	SIZE	DRAWING NUMBER	REV.
	D	051-7232	06
SCALE	SHT	OF	19
NONE	2		

LEFT ON THE BOARD UNTIL IT IS VALIDATED ON THE H1 DEV BOARD.

SDRAM CKE GATING



NOSTUFF (2 OF 6)

U20

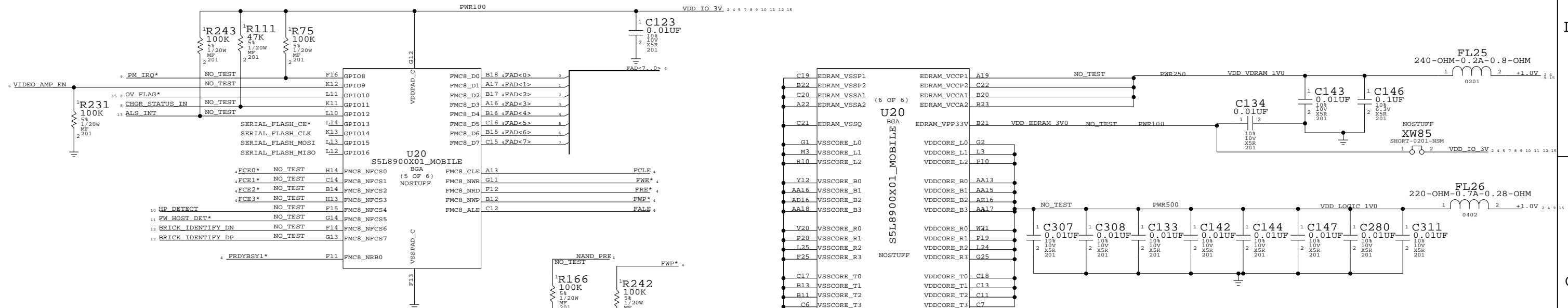
S51L8900X01\_MOBILE

SMC_A0	H20	XM MA0	NO_TEST	A4	A0	DQ0	B1	XM MD<0>	0	NO_TEST
SMC_A1	H21	XM MA1	NO_TEST	A5	A1	DQ1	C1	XM MD<1>	1	NO_TEST
SMC_A2	H24	XM MA2	NO_TEST	A6	A2	DQ2	D1	XM MD<2>	2	NO_TEST
SMC_A3	J20	XM MA3	NO_TEST	B5	A3	DQ3	E1	XM MD<3>	3	NO_TEST
SMC_A4	J21	XM MA4	NO_TEST	B6	A4	DQ4	J3	XM MD<4>	4	NO_TEST
SMC_A5	J24	XM MA5	NO_TEST	B4	A5	DQ5	J2	XM MD<5>	5	NO_TEST
SMC_A6	J25	XM MA6	NO_TEST	C6	A6	DQ6	K2	XM MD<6>	6	NO_TEST
SMC_A7	J26	XM MA7	NO_TEST	C5	A7	DQ7	L2	XM MD<7>	7	NO_TEST
SMC_A8	L26	XM MA8	NO_TEST	J4	A8	DQ8	B3	XM MD<8>	8	NO_TEST
SMC_A9	M17	XM MA9	NO_TEST	J6	A9	DQ9	C2	XM MD<9>	9	NO_TEST
SMC_A10	M20	XM MA10	NO_TEST	J5	A10	DQ10	C3	XM MD<10>	10	NO_TEST
SMC_A11	N17	XM MA11	NO_TEST	K6	A11	DQ11	K3	XM MD<11>	11	NO_TEST
SMC_A12	N19	XM MA12	NO_TEST	K4	A12	DQ12	G1	XM MD<12>	12	NO_TEST
SMC_A13	N20	XM MA13	NO_TEST	K5	A13	DQ13	H1	XM MD<13>	13	NO_TEST
SMC_A14	N21	XM MA14	NO_TEST	L5	A14	DQ14	J1	XM MD<14>	14	NO_TEST
SMC_A15	P17	XM MA15	NO_TEST	L4	A15	DQ15	K1	XM MD<15>	15	NO_TEST
SMC_A16	A23	XM MA16	NO_TEST	L3	A16	NC0	D2			
SMC_A17	K20	XM MA17	NO_TEST	D6	A17	NC1	D5			
SMC_A18	K21	XM MA18	NO_TEST	C4	A18	NC2	E6			
SMC_A19	L21					NC3	F6			
SMC_A20	L20					NC4	H2			
SMC_D0	G26	XM MD<0>	0			NC5	H5			
SMC_D1	G19	XM MD<1>	1			NC6	H6	FLASH_RST*	NO_TEST	
SMC_D2	F24	XM MD<2>	2							
SMC_D3	F19	XM MD<3>	3							
SMC_D4	E26	XM MD<4>	4							
SMC_D5	D26	XM MD<5>	5							
SMC_D6	C25	XM MD<6>	6							
SMC_D7	A24	XM MD<7>	7							
SMC_D8	G24	XM MD<8>	8							
SMC_D9	F26	XM MD<9>	9							
SMC_D10	F20	XM MD<10>	10							
SMC_D11	F18	XM MD<11>	11							
SMC_D12	E24	XM MD<12>	12							
SMC_D13	C26	XM MD<13>	13							
SMC_D14	B25	XM MD<14>	14							
SMC_D15	B24	XM MD<15>	15							
SMC_NSCS0	G17	NOR CE*	NO_TEST							
SMC_NSCS1	G18									
SMC_NSWE	K24	XM WE*	NO_TEST							
SMC_NSOE	F17	XM OE*	NO_TEST							
CKE0	B19	NO_TEST	GATED_CKE0							
CKE1	A18	NO_TEST	GATED_CKE1							

NOTICE OF PROPRIETARY PROPERTY  
THE INFORMATION CONTAINED HEREIN IS THE PROPRIETARY PROPERTY OF APPLE COMPUTER, INC. THE POSSESSOR AGREES TO THE FOLLOWING  
I TO MAINTAIN THE DOCUMENT IN CONFIDENCE  
II NOT TO REPRODUCE OR COPY IT  
III NOT TO REVEAL OR PUBLISH IN WHOLE OR PART

APPLE COMPUTER INC.	SIZE	DRAWING NUMBER	REV.
	D	051-7232	06
SCALE	SHT 3 OF 19		
NONE			

# NAND FLASH & GPIO

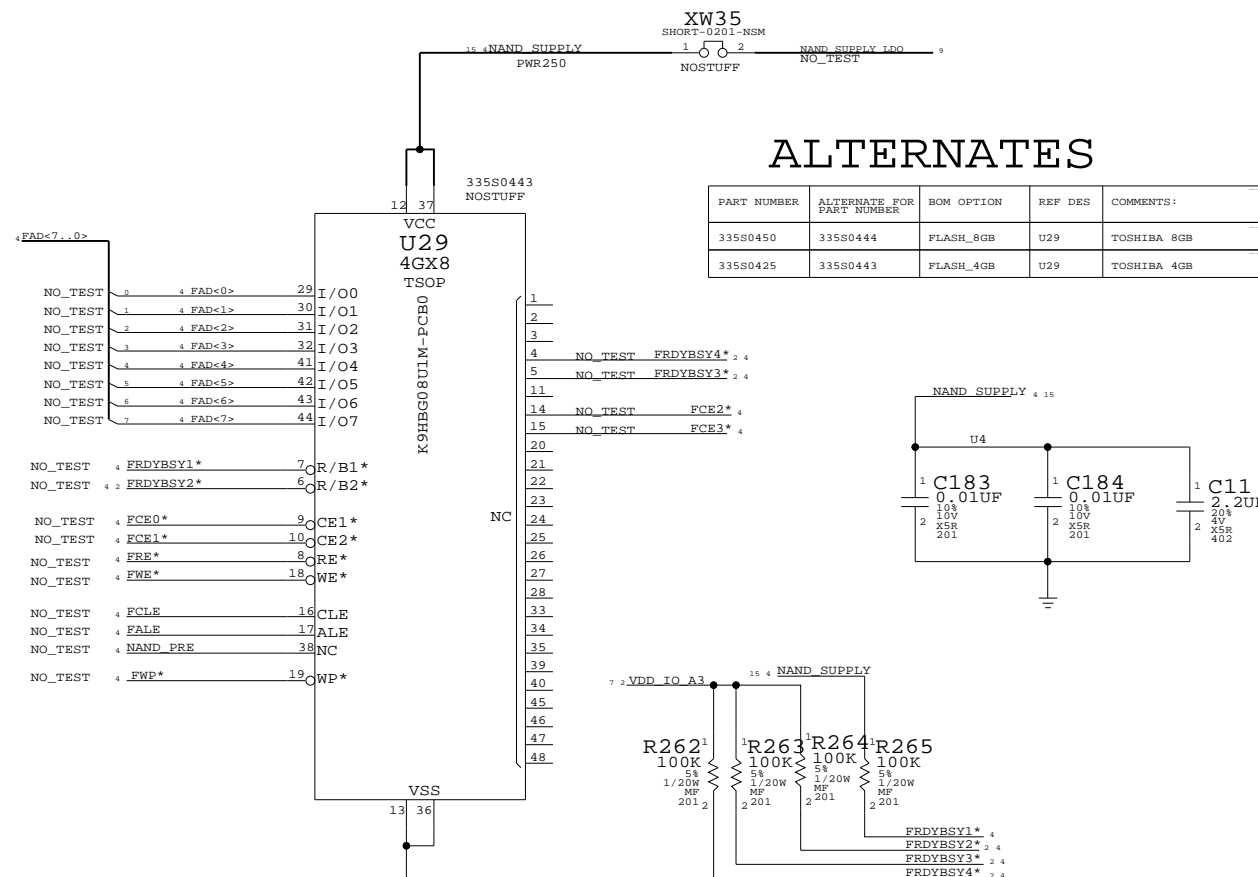


## BOM OPTIONS

PART#	QTY	DESCRIPTION	REFERENCE DESIGNATOR(S)	CRITICAL	BOM OPTION
335S0443	1	4GB SAMSUNG, 63NM FLASH	U29	Y	FLASH_4GB
335S0444	1	8GB SAMSUNG, 63NM FLASH	U29	Y	FLASH_8GB

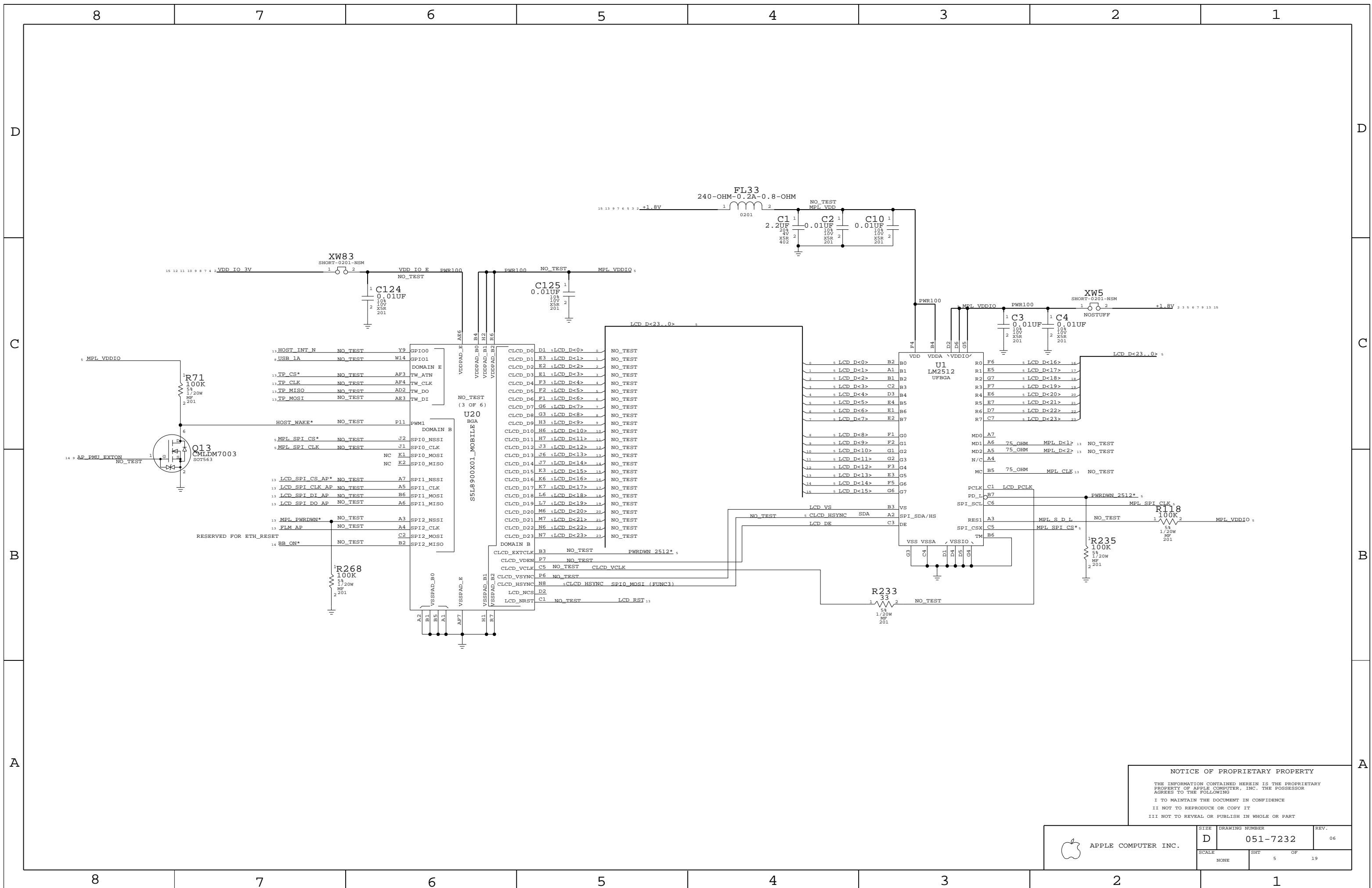
## ALTERNATES

PART NUMBER	ALTERNATE FOR PART NUMBER	BOM OPTION	REF DES	COMMENTS:
335S0450	335S0444	FLASH_8GB	U29	TOSHIBA 8GB
335S0425	335S0443	FLASH_4GB	U29	TOSHIBA 4GB



**NOTICE OF PROPRIETARY PROPERTY**  
 THE INFORMATION CONTAINED HEREIN IS THE PROPRIETARY PROPERTY OF APPLE COMPUTER, INC. THE POSSESSOR AGREES TO THE FOLLOWING:  
 I TO MAINTAIN THE DOCUMENT IN CONFIDENCE  
 II NOT TO REPRODUCE OR COPY IT  
 III NOT TO REVEAL OR PUBLISH IN WHOLE OR PART

APPLE COMPUTER INC.	SIZE <b>D</b>	DRAWING NUMBER 051-7232	REV. 06
	SCALE NONE	SHEET 4	OF 19

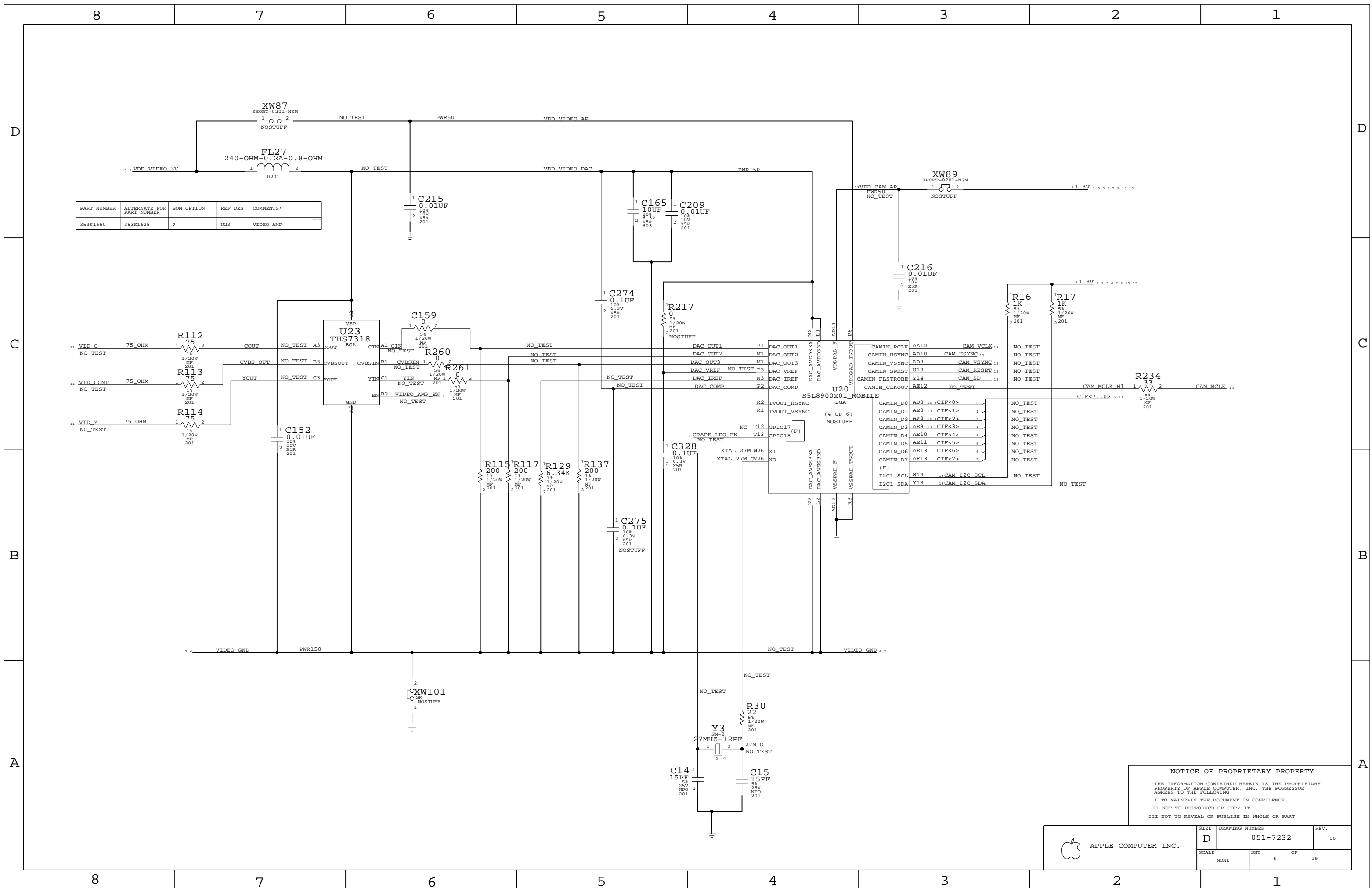


**NOTICE OF PROPRIETARY PROPERTY**

THE INFORMATION CONTAINED HEREIN IS THE PROPRIETARY PROPERTY OF APPLE COMPUTER, INC. THE POSSESSOR AGREES TO THE FOLLOWING

I TO MAINTAIN THE DOCUMENT IN CONFIDENCE  
 II NOT TO REPRODUCE OR COPY IT  
 III NOT TO REVEAL OR PUBLISH IN WHOLE OR PART

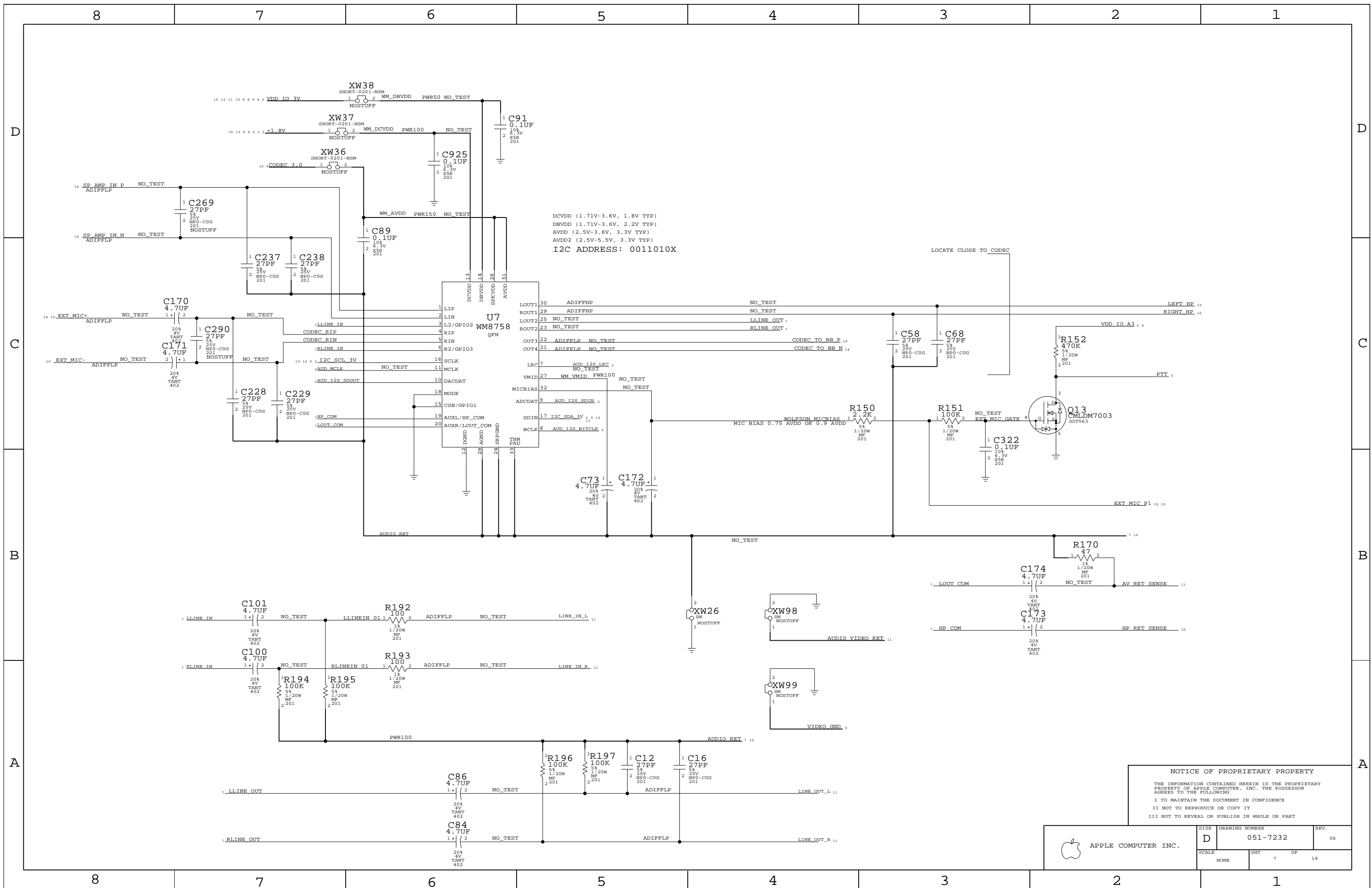
APPLE COMPUTER INC.	SIZE <b>D</b>	DRAWING NUMBER <b>051-7232</b>	REV. <b>06</b>
	SCALE NONE	SHEET 5	OF 19



PART NUMBER	ALTERNATE FOR PART NUMBER	BOM OPTION	REF DES	COMMENTS
35381650	35381625	?	U23	VIDEO AMP

NOTICE OF PROPRIETARY PROPERTY  
 THE INFORMATION CONTAINED HEREIN IS THE PROPRIETARY PROPERTY OF APPLE COMPUTER, INC. THE POSSESSOR AGREES TO THE FOLLOWING  
 I TO MAINTAIN THE DOCUMENT IN CONFIDENCE  
 II NOT TO REPRODUCE OR COPY IT  
 III NOT TO REVEAL OR PUBLISH IN WHOLE OR PART

APPLE COMPUTER INC.	SIZE	DRAWING NUMBER	REV.
	D	051-7232	06
SCALE	SHT		OF
NONE	6		19



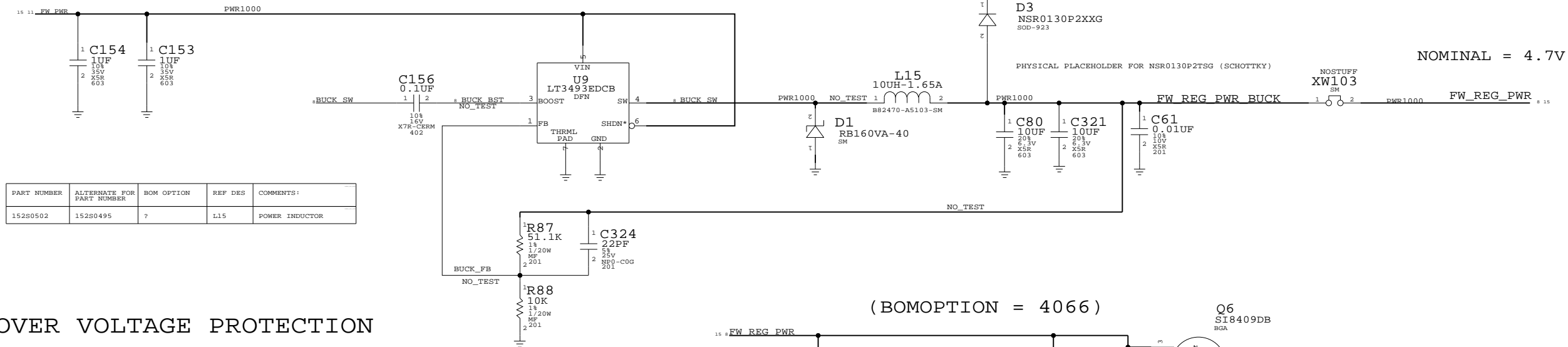
DCVDD (1.71V-3.6V, 1.8V TYP)  
 DBVDD (1.71V-3.6V, 2.2V TYP)  
 AVDD (2.5V-3.6V, 3.3V TYP)  
 AVDD2 (2.5V-5.5V, 3.3V TYP)  
 I2C ADDRESS: 0011010X

LOCATE CLOSE TO CODEC

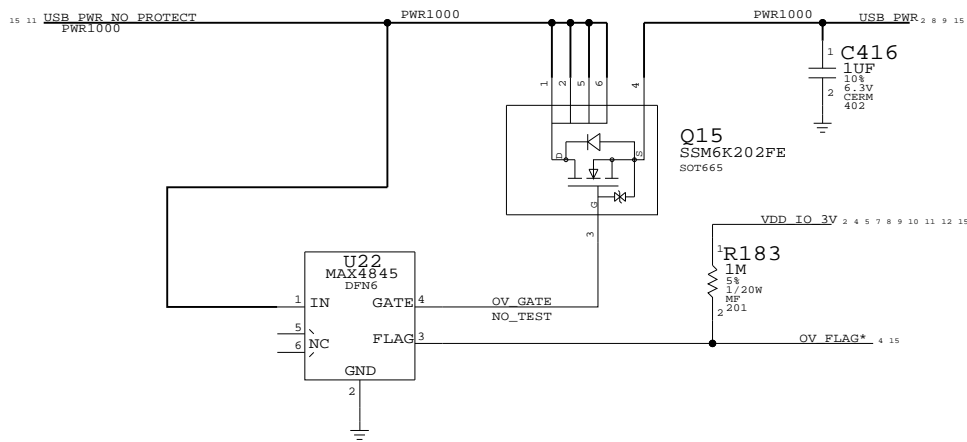
**NOTICE OF PROPRIETARY PROPERTY**  
 THE INFORMATION CONTAINED HEREIN IS THE PROPRIETARY PROPERTY OF APPLE COMPUTER, INC. THE POSSESSOR AGREES TO THE FOLLOWING:  
 I TO MAINTAIN THE DOCUMENT IN CONFIDENCE  
 II NOT TO REPRODUCE OR COPY IT  
 III NOT TO REVEAL OR PUBLISH IN WHOLE OR PART

APPLE COMPUTER INC.	SIZE D	DRAWING NUMBER 051-7232	REV. 06
	SCALE NONE	SHEET 7	OF 19

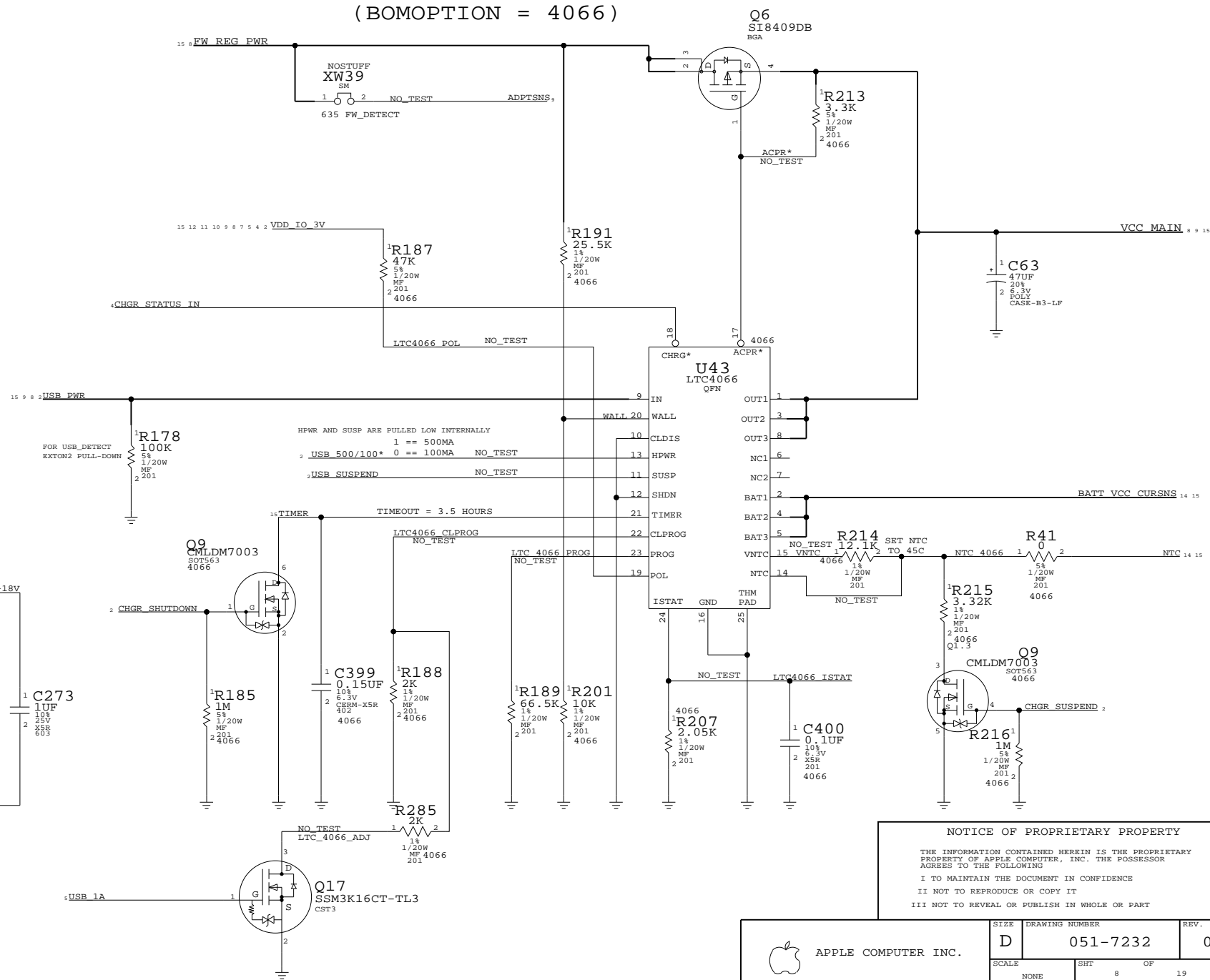
### FIREWIRE INPUT POWER



### USB OVER VOLTAGE PROTECTION



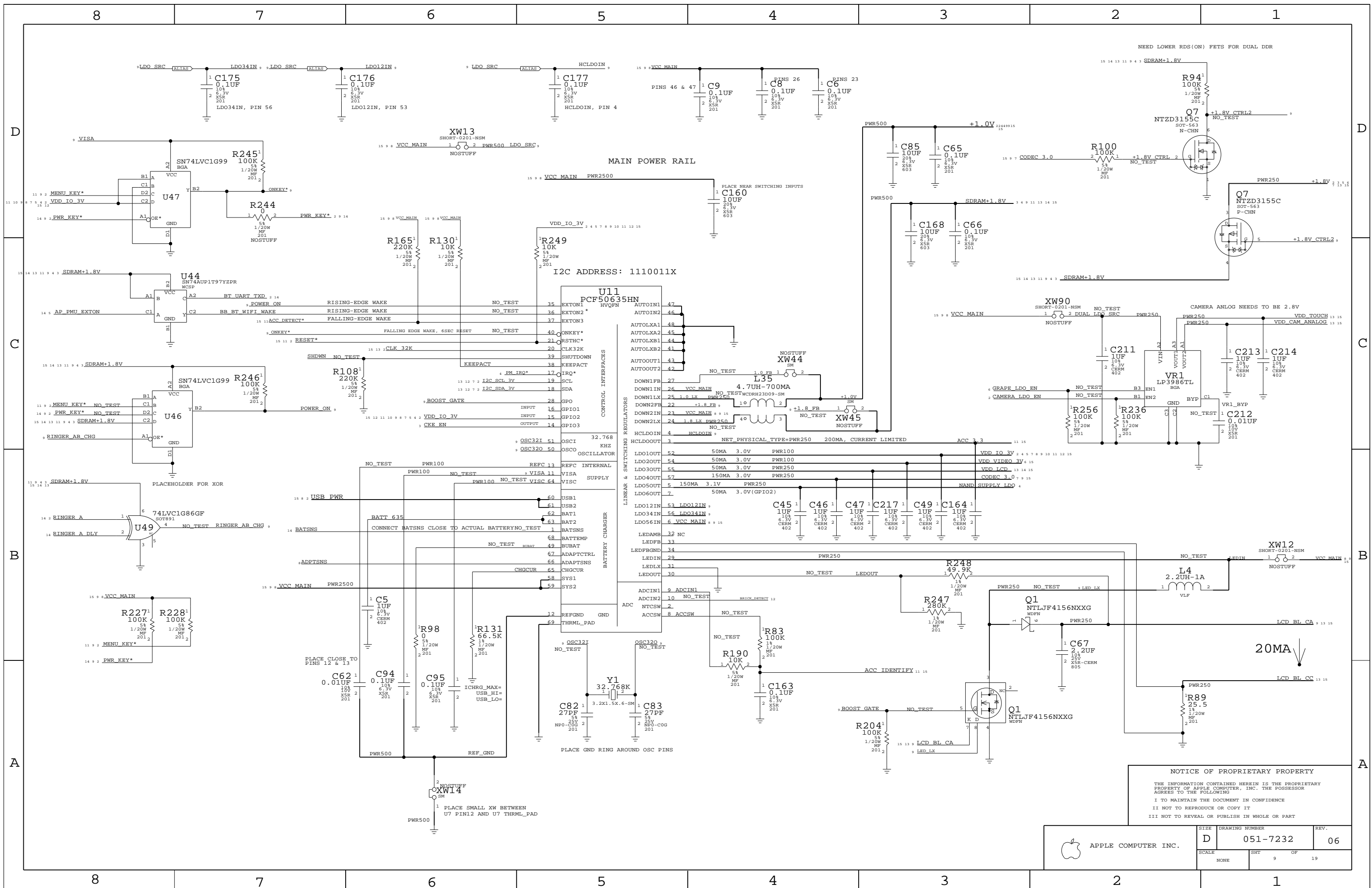
### (BOMOPTION = 4066)



**NOTICE OF PROPRIETARY PROPERTY**  
 THE INFORMATION CONTAINED HEREIN IS THE PROPRIETARY PROPERTY OF APPLE COMPUTER, INC. THE POSSESSOR AGREES TO THE FOLLOWING:  
 I TO MAINTAIN THE DOCUMENT IN CONFIDENCE  
 II NOT TO REPRODUCE OR COPY IT  
 III NOT TO REVEAL OR PUBLISH IN WHOLE OR PART

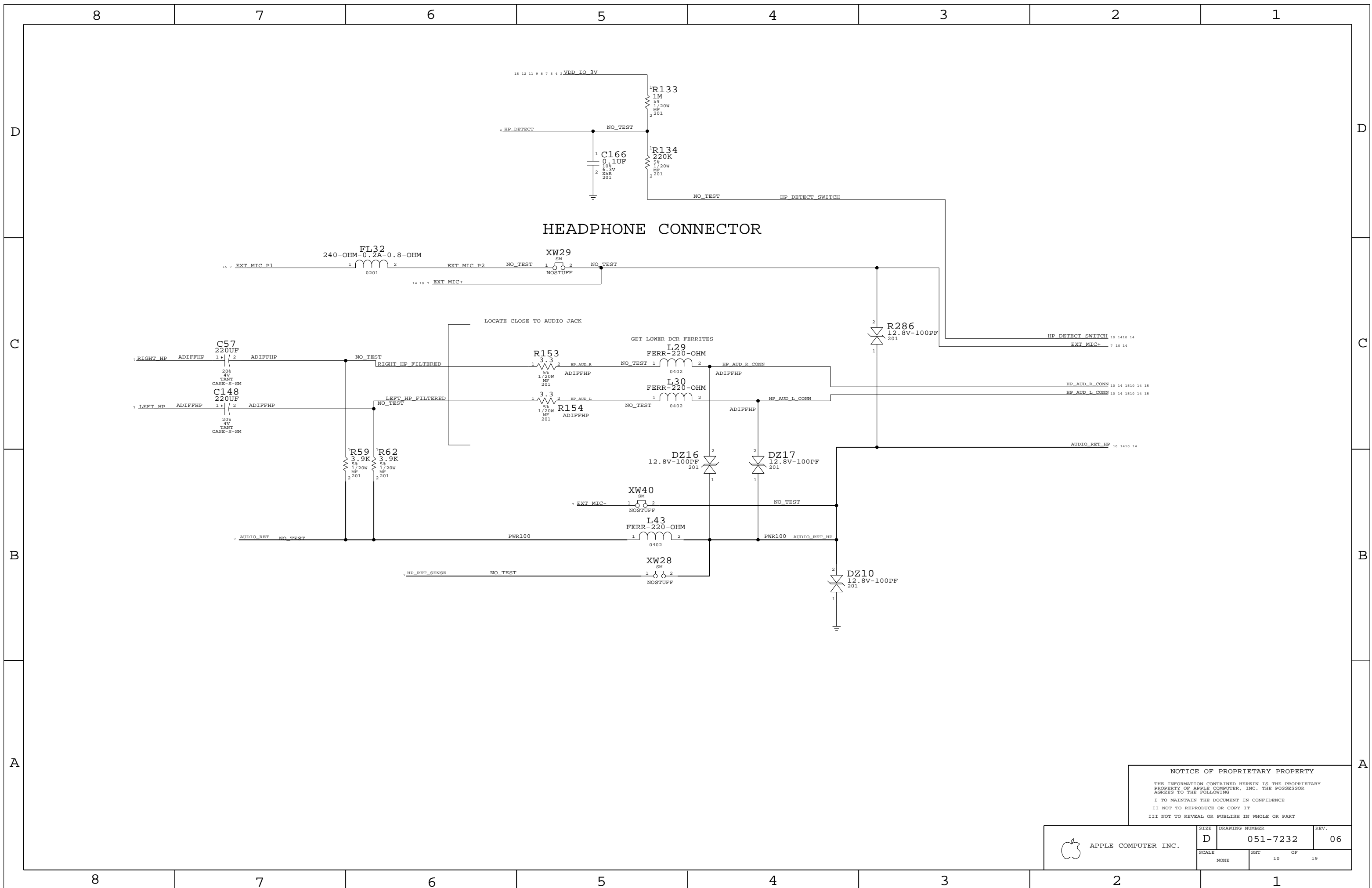
APPLE COMPUTER INC.	SIZE	DRAWING NUMBER	REV.
	D	051-7232	06
SCALE	SHT 8 OF 19		





**NOTICE OF PROPRIETARY PROPERTY**  
 THE INFORMATION CONTAINED HEREIN IS THE PROPRIETARY PROPERTY OF APPLE COMPUTER, INC. THE POSSESSOR AGREES TO THE FOLLOWING:  
 I TO MAINTAIN THE DOCUMENT IN CONFIDENCE  
 II NOT TO REPRODUCE OR COPY IT  
 III NOT TO REVEAL OR PUBLISH IN WHOLE OR PART

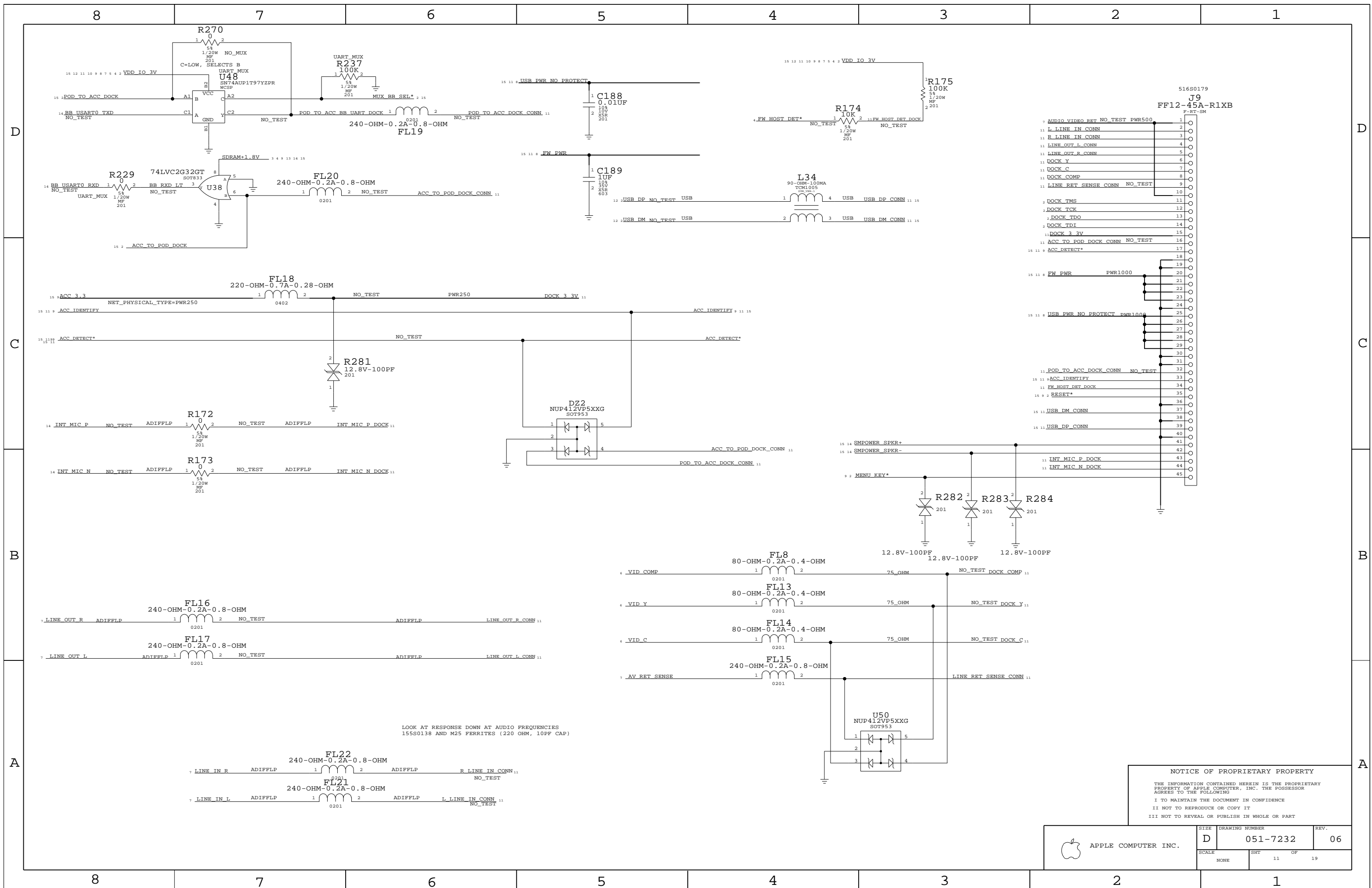
APPLE COMPUTER INC.	SIZE <b>D</b>	DRAWING NUMBER <b>051-7232</b>	REV. <b>06</b>
	SCALE NONE	SHEET 9	OF 19



HEADPHONE CONNECTOR

NOTICE OF PROPRIETARY PROPERTY  
 THE INFORMATION CONTAINED HEREIN IS THE PROPRIETARY PROPERTY OF APPLE COMPUTER, INC. THE POSSESSOR AGREES TO THE FOLLOWING  
 I TO MAINTAIN THE DOCUMENT IN CONFIDENCE  
 II NOT TO REPRODUCE OR COPY IT  
 III NOT TO REVEAL OR PUBLISH IN WHOLE OR PART

APPLE COMPUTER INC.	SIZE <b>D</b>	DRAWING NUMBER <b>051-7232</b>	REV. <b>06</b>
	SCALE NONE	SHEET 10	OF 19



APPLE COMPUTER INC.	SIZE	DRAWING NUMBER	REV.
	SCALE	11 OF 19	06

D

C

B

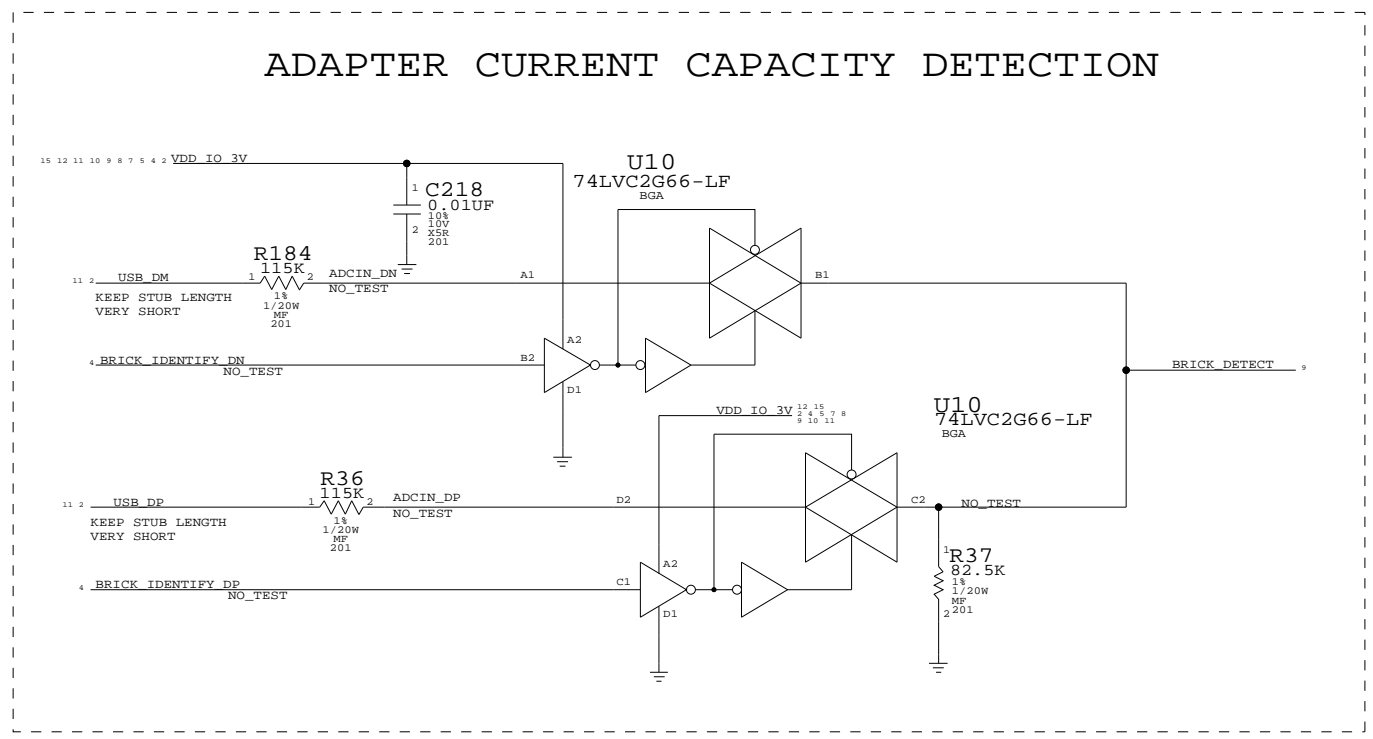
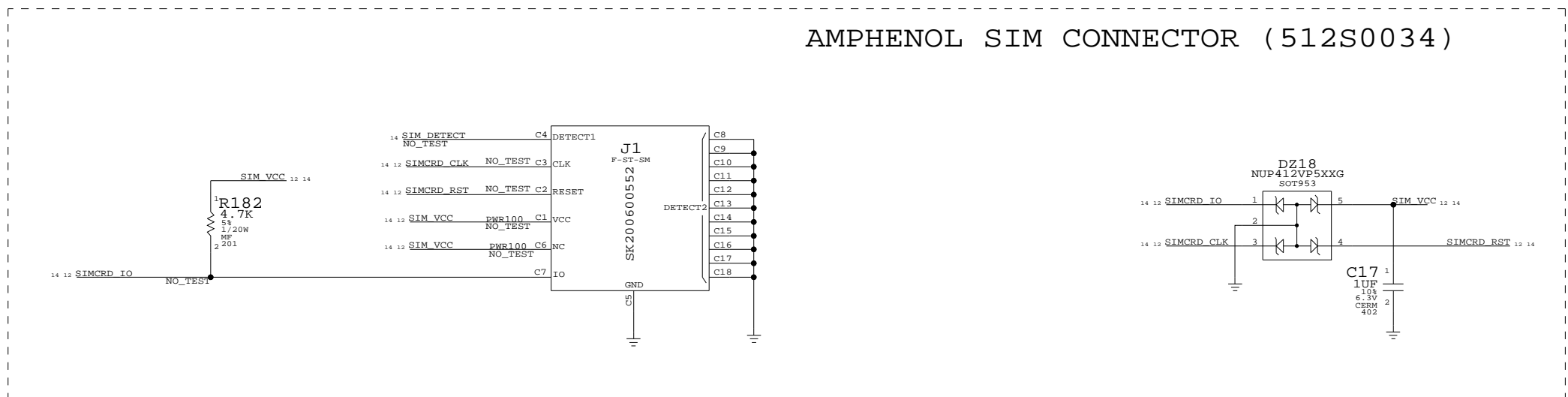
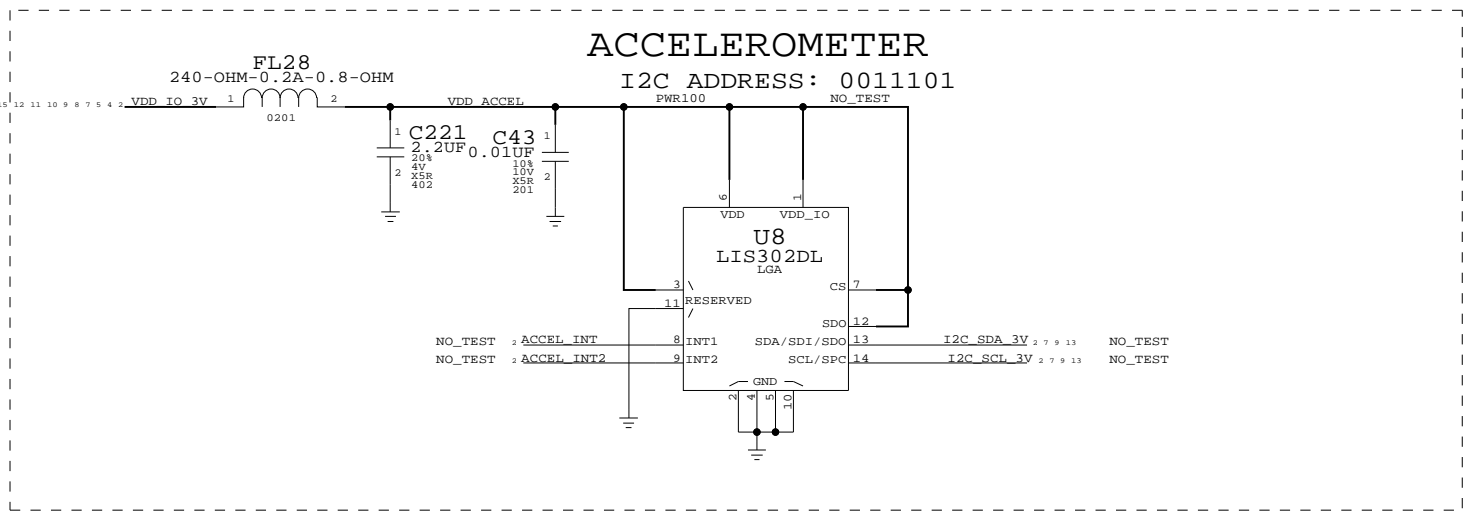
A

D

C

B

A



**NOTICE OF PROPRIETARY PROPERTY**

THE INFORMATION CONTAINED HEREIN IS THE PROPRIETARY PROPERTY OF APPLE COMPUTER, INC. THE POSSESSOR AGREES TO THE FOLLOWING  
 I TO MAINTAIN THE DOCUMENT IN CONFIDENCE  
 II NOT TO REPRODUCE OR COPY IT  
 III NOT TO REVEAL OR PUBLISH IN WHOLE OR PART

APPLE COMPUTER INC.	SIZE <b>D</b>	DRAWING NUMBER <b>051-7232</b>	REV. <b>06</b>
	SCALE NONE	SHEET 12	OF 19

8

7

6

5

4

3

2

1

# LCD CONNECTOR

# GRAPE CONNECTOR (POR)

D

D

C

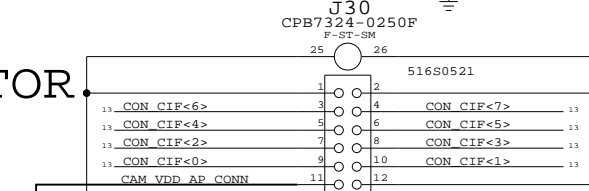
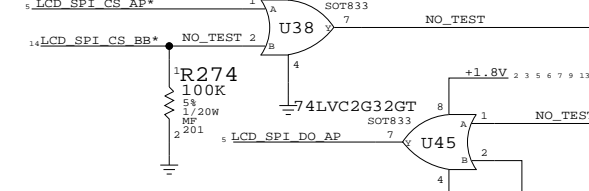
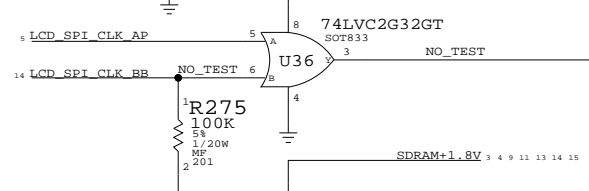
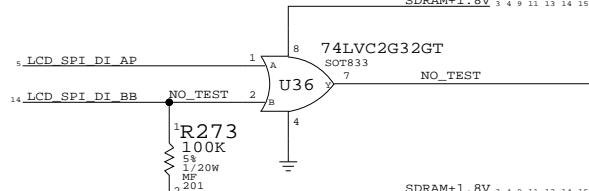
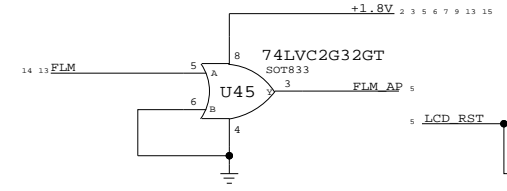
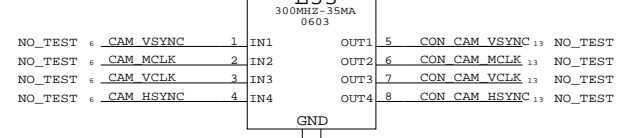
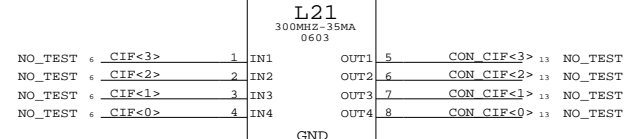
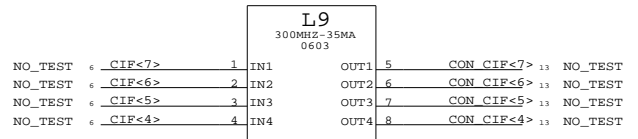
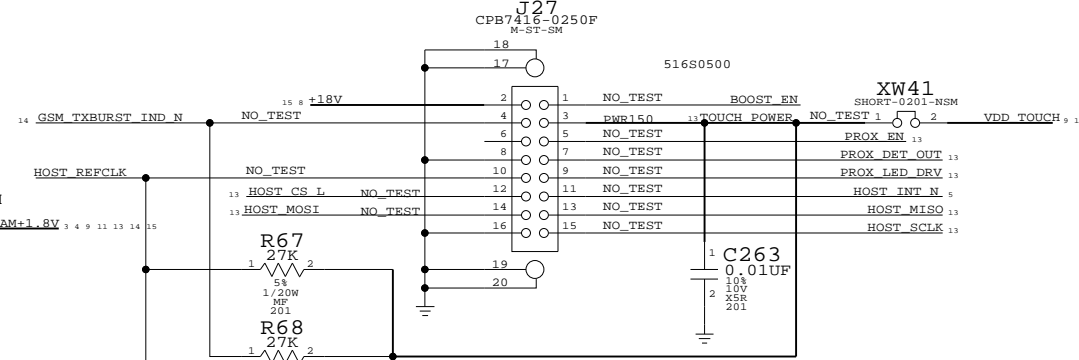
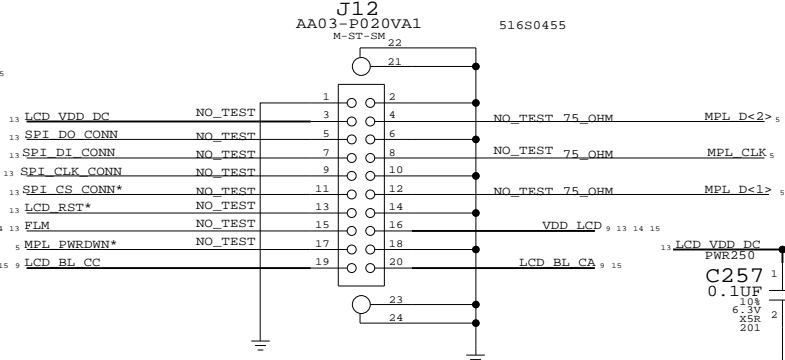
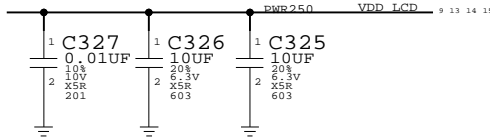
C

B

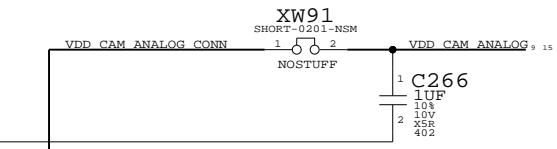
B

A

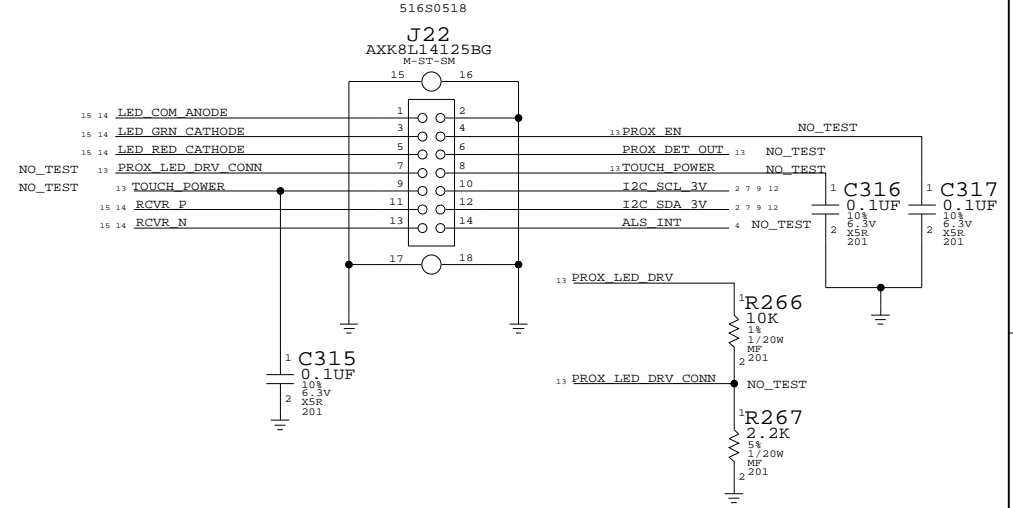
A



# CAMERA CONNECTOR



# PROX/RECV CONN



**NOTICE OF PROPRIETARY PROPERTY**  
 THE INFORMATION CONTAINED HEREIN IS THE PROPRIETARY PROPERTY OF APPLE COMPUTER, INC. THE POSSESSOR AGREES TO THE FOLLOWING:  
 I TO MAINTAIN THE DOCUMENT IN CONFIDENCE  
 II NOT TO REPRODUCE OR COPY IT  
 III NOT TO REVEAL OR PUBLISH IN WHOLE OR PART

APPLE COMPUTER INC.	SIZE	DRAWING NUMBER	REV.
	D	051-7232	06
SCALE	SHT	OF	19
NONE	13		

8

7

6

5

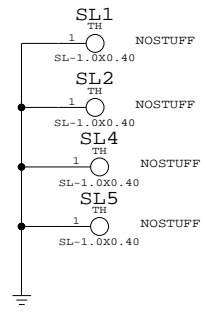
4

3

2

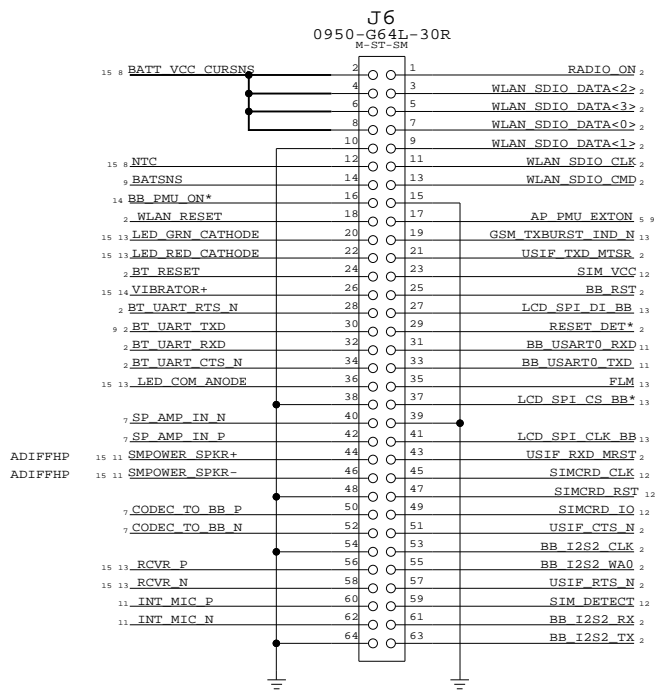
1

SHIELD ALIGNMENT SLOTS



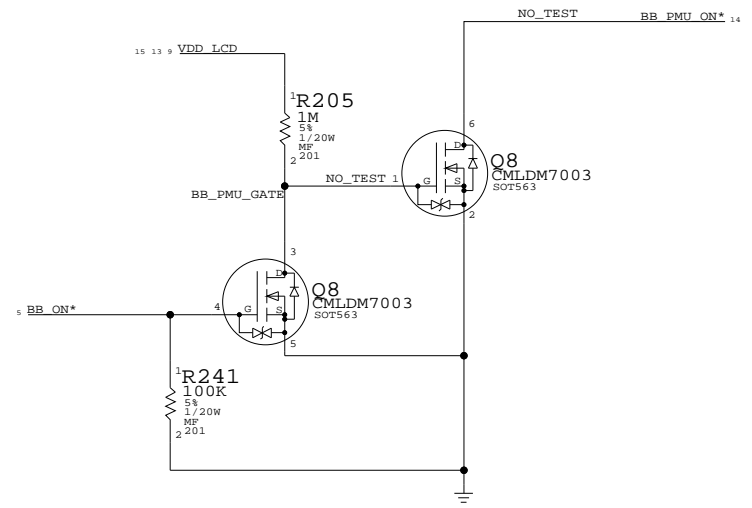
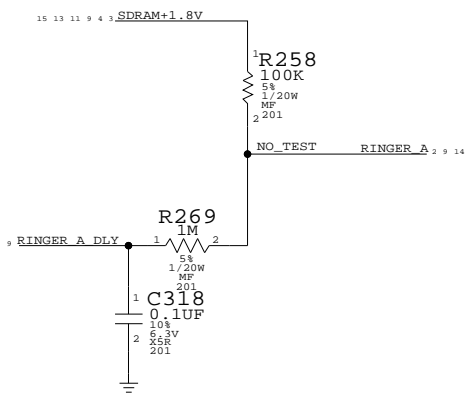
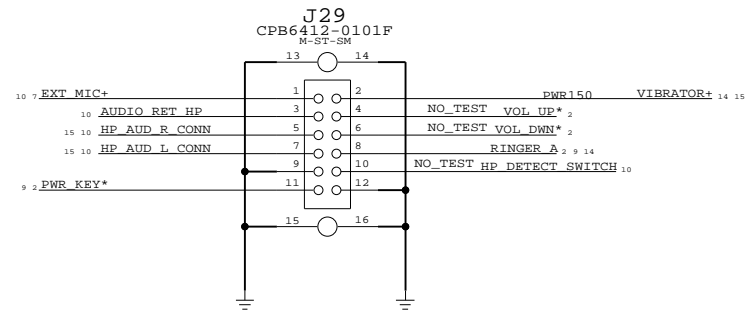
516S0506

SYNCHRONIZED WITH RADIO SCHEMATIC 6-15-06



HOLD/VOLUME UP&DOWN

516S0522



NOTICE OF PROPRIETARY PROPERTY  
 THE INFORMATION CONTAINED HEREIN IS THE PROPRIETARY PROPERTY OF APPLE COMPUTER, INC. THE POSSESSOR AGREES TO THE FOLLOWING  
 I TO MAINTAIN THE DOCUMENT IN CONFIDENCE  
 II NOT TO REPRODUCE OR COPY IT  
 III NOT TO REVEAL OR PUBLISH IN WHOLE OR PART

APPLE COMPUTER INC.	SIZE	DRAWING NUMBER	REV.
	D	051-7232	06
SCALE	SHT OF		
NONE	14 OF 19		

# TEST POINTS

## GPIO

FUNC\_TEST MUX\_BB\_SEL\* 2 11

FUNC\_TEST GPIO19 2

## AUDIO

FUNC\_TEST EXT\_MIC\_P1 7 10

### SPEAKER

FUNC\_TEST SMPPOWER\_SPKR+ 11 14

FUNC\_TEST SMPPOWER\_SPKR- 11 14

### RECEIVER

FUNC\_TEST RCVR\_P 13 14

FUNC\_TEST RCVR\_N 13 14

### INT MIC

FUNC\_TEST HP\_AUD\_R\_CONN 10 14

FUNC\_TEST HP\_AUD\_L\_CONN 10 14

## CLOCK

FUNC\_TEST CLK\_24M\_O 2

FUNC\_TEST CLK\_SYS\_OUT 2

FUNC\_TEST CLK\_32K 2 9 13

## LED

FUNC\_TEST LED\_GRN\_CATHODE 13 14

FUNC\_TEST LED\_RED\_CATHODE 13 14

FUNC\_TEST LED\_COM\_ANODE 13 14

## VIBE

FUNC\_TEST VIBRATOR+ 14

## UART

FUNC\_TEST POP\_TO\_ACC\_DOCK 2 11

FUNC\_TEST ACC\_TO\_POP\_DOCK 2 11

FUNC\_TEST UART4\_RXD 2

FUNC\_TEST UART4\_TXD 2

## USB

FUNC\_TEST USB\_DP\_CONN 11

FUNC\_TEST USB\_DM\_CONN 11

## POWER

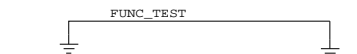
FUNC\_TEST +18V 8 13

FUNC\_TEST VCC\_MAIN 8 9

FUNC\_TEST FW\_PWR 8 11

FUNC\_TEST USB\_PWR\_NO\_PROTECT 8 11

FUNC\_TEST BATT\_VCC\_CURSNS 8 14



FUNC\_TEST FW\_REG\_PWR 8

FUNC\_TEST USB\_PWR 2 8 9

FUNC\_TEST +1.0V 2 4 9

FUNC\_TEST SDRAM+1.8V 3 4 9 11 13 14

FUNC\_TEST +1.8V 2 3 5 6 7 9 13

FUNC\_TEST ACC\_3.3 9 11

FUNC\_TEST VDD\_IO\_3V 2 4 5 7 8 9 10 11 12

FUNC\_TEST VDD\_VIDEO\_3V 6 9

FUNC\_TEST VDD\_LCD 9 13 14

FUNC\_TEST CODEC\_3.0 7 9

FUNC\_TEST NAND\_SUPPLY 4

FUNC\_TEST VDD\_TOUCH 9 13

FUNC\_TEST VDD\_CAM\_ANALOG 9 13

FUNC\_TEST LCD\_BL\_CC 9 13

FUNC\_TEST LCD\_BL\_CA 9 13

FUNC\_TEST OV\_FLAG\* 4 8

FUNC\_TEST NTC 8 14

FUNC\_TEST TIMER 8

## RESET

FUNC\_TEST RESET\* 2 9 11

## ACCESSORY DETECT

FUNC\_TEST ACC\_DETECT\* 9 11

FUNC\_TEST ACC\_IDENTIFY 9 11

NOTICE OF PROPRIETARY PROPERTY  
 THE INFORMATION CONTAINED HEREIN IS THE PROPRIETARY PROPERTY OF APPLE COMPUTER, INC. THE POSSESSOR AGREES TO THE FOLLOWING  
 I TO MAINTAIN THE DOCUMENT IN CONFIDENCE  
 II NOT TO REPRODUCE OR COPY IT  
 III NOT TO REVEAL OR PUBLISH IN WHOLE OR PART

APPLE COMPUTER INC.	SIZE <b>D</b>	DRAWING NUMBER 051-7232	REV. 06
	SCALE NONE	SHEET 15	OF 19





	8	7	6	5	4	3	2	1
D	VDD_VDRAM_LV0	VDD_VDRAM_LV0 - @m68_aps_lib.M68_APS	4D2					
	VDD_VIDEO_3V	VDD_VIDEO_3V - @m68_aps_lib.M68_APS	6D8 9B3 15B2					
	VDD_VIDEO_AP	VDD_VIDEO_AP - @m68_aps_lib.M68_APS	6D5					
	VDD_VIDEO_DAC	VDD_VIDEO_DAC - @m68_aps_lib.M68_APS	6D5					
	VDD_VRAM_LV0	VDD_VRAM_LV0 - @m68_aps_lib.M68_APS	4B3					
	VIBRATOR*	VIBRATOR* - @m68_aps_lib.M68_APS	14A4 14C5 15C5					
	VIDEO_AMP_EN	VIDEO_AMP_EN - @m68_aps_lib.M68_APS	4D8 6C6					
	VIDEO_GND	VIDEO_GND - @m68_aps_lib.M68_APS	6A3 6A7 7A4					
	VID_C	VID_C - @m68_aps_lib.M68_APS	6C8 11A5					
	VID_COMP	VID_COMP - @m68_aps_lib.M68_APS	6C8 11B5					
	VID_Y	VID_Y - @m68_aps_lib.M68_APS	6C8 11B5					
	VISA	VISA - @m68_aps_lib.M68_APS	9B5 9D8					
	VISC	VISC - @m68_aps_lib.M68_APS	9B5					
	VNTC	VNTC - @m68_aps_lib.M68_APS	8B2					
	C	VOL_DWN*	VOL_DWN* - @m68_aps_lib.M68_APS	2A7 2C6 14A4				
VOL_UP*		VOL_UP* - @m68_aps_lib.M68_APS	2A7 2C6 14A4					
VRL_BYP		VRL_BYP - @m68_aps_lib.M68_APS	9C1					
WALL		WALL - @m68_aps_lib.M68_APS	8B3					
WLAN_RESET		WLAN_RESET - @m68_aps_lib.M68_APS	2C6 14C5					
WLAN_SDIO_CLK		WLAN_SDIO_CLK - @m68_aps_lib.M68_APS	2B7 14D4					
WLAN_SDIO_CMD		WLAN_SDIO_CMD - @m68_aps_lib.M68_APS	2B7 14C4					
WLAN_SDIO_DATA<0>		WLAN_SDIO_DATA<0> - @m68_aps_lib.M68_APS	2B7 14D4					
WLAN_SDIO_DATA<1>		WLAN_SDIO_DATA<1> - @m68_aps_lib.M68_APS	2B7 14D4					
WLAN_SDIO_DATA<2>		WLAN_SDIO_DATA<2> - @m68_aps_lib.M68_APS	2B7 14D4					
WLAN_SDIO_DATA<3>		WLAN_SDIO_DATA<3> - @m68_aps_lib.M68_APS	2B7 14D4					
WM_AVDD		WM_AVDD - @m68_aps_lib.M68_APS	7D6					
WM_DBVDD		WM_DBVDD - @m68_aps_lib.M68_APS	7D6					
WM_DCVDD		WM_DCVDD - @m68_aps_lib.M68_APS	7D6					
WM_VMID		WM_VMID - @m68_aps_lib.M68_APS	7C5					
WOLFSON_MICBIAS	WOLFSON_MICBIAS - @m68_aps_lib.M68_APS	7C4						
B	XM_MA0	XM_MA0 - @m68_aps_lib.M68_APS	3C4					
	XM_MA1	XM_MA1 - @m68_aps_lib.M68_APS	3C4					
	XM_MA2	XM_MA2 - @m68_aps_lib.M68_APS	3C4					
	XM_MA3	XM_MA3 - @m68_aps_lib.M68_APS	3C4					
	XM_MA4	XM_MA4 - @m68_aps_lib.M68_APS	3C4					
	XM_MA5	XM_MA5 - @m68_aps_lib.M68_APS	3C4					
	XM_MA6	XM_MA6 - @m68_aps_lib.M68_APS	3C4					
	XM_MA7	XM_MA7 - @m68_aps_lib.M68_APS	3C4					
	XM_MA8	XM_MA8 - @m68_aps_lib.M68_APS	3C4					
	XM_MA9	XM_MA9 - @m68_aps_lib.M68_APS	3C4					
	XM_MA10	XM_MA10 - @m68_aps_lib.M68_APS	3C4					
	XM_MA11	XM_MA11 - @m68_aps_lib.M68_APS	3C4					
	XM_MA12	XM_MA12 - @m68_aps_lib.M68_APS	3C4					
	XM_MA13	XM_MA13 - @m68_aps_lib.M68_APS	3C4					
	XM_MA14	XM_MA14 - @m68_aps_lib.M68_APS	3C4					
A	XM_MA15	XM_MA15 - @m68_aps_lib.M68_APS	3C4					
	XM_MA16	XM_MA16 - @m68_aps_lib.M68_APS	3C4					
	XM_MA17	XM_MA17 - @m68_aps_lib.M68_APS	3C4					
	XM_MA18	XM_MA18 - @m68_aps_lib.M68_APS	3C4					
	XM_MD<0>	XM_MD<0> - @m68_aps_lib.M68_APS	3B5 3C3					
	XM_MD<1>	XM_MD<1> - @m68_aps_lib.M68_APS	3B5 3C3					
	XM_MD<2>	XM_MD<2> - @m68_aps_lib.M68_APS	3B5 3C3					
	XM_MD<3>	XM_MD<3> - @m68_aps_lib.M68_APS	3B5 3C3					
	XM_MD<4>	XM_MD<4> - @m68_aps_lib.M68_APS	3B5 3C3					
	XM_MD<5>	XM_MD<5> - @m68_aps_lib.M68_APS	3B5 3C3					
	XM_MD<6>	XM_MD<6> - @m68_aps_lib.M68_APS	3B5 3C3					
	XM_MD<7>	XM_MD<7> - @m68_aps_lib.M68_APS	3B5 3C3					
	XM_MD<8>	XM_MD<8> - @m68_aps_lib.M68_APS	3B5 3C3					
	XM_MD<9>	XM_MD<9> - @m68_aps_lib.M68_APS	3B5 3C3					
	XM_MD<10>	XM_MD<10> - @m68_aps_lib.M68_APS	3B5 3C3					
XM_MD<11>	XM_MD<11> - @m68_aps_lib.M68_APS	3B5 3C3						
XM_MD<12>	XM_MD<12> - @m68_aps_lib.M68_APS	3B5 3C3						
XM_MD<13>	XM_MD<13> - @m68_aps_lib.M68_APS	3B5 3C3						
XM_MD<14>	XM_MD<14> - @m68_aps_lib.M68_APS	3B5 3C3						
XM_MD<15>	XM_MD<15> - @m68_aps_lib.M68_APS	3B5 3C3						
XM_OP*	XM_OP* - @m68_aps_lib.M68_APS	3B5						
XM_WE*	XM_WE* - @m68_aps_lib.M68_APS	3B5						
XTAL_24M_I	XTAL_24M_I - @m68_aps_lib.M68_APS	2B6						
XTAL_24M_O	XTAL_24M_O - @m68_aps_lib.M68_APS	2B6						
XTAL_27M_I	XTAL_27M_I - @m68_aps_lib.M68_APS	6B4						
XTAL_27M_O	XTAL_27M_O - @m68_aps_lib.M68_APS	6B4						
YIN	YIN - @m68_aps_lib.M68_APS	6C6						
YOUT	YOUT - @m68_aps_lib.M68_APS	6C7						

	8	7	6	5	4	3	2	1
D	Title: Cref Part Report							
	Design: m68_apa							
	Date: Nov 10 11:08:47 2006							
	C1 CAP_402	m68_apa[5C4]						
	C2 CAP_201	m68_apa[5C4]						
	C3 CAP_201	m68_apa[5C3]						
	C4 CAP_201	m68_apa[5C4]						
	C5 CAP_402	m68_apa[9B6]						
	C6 CAP_201	m68_apa[9D4]						
	C7 CAP_201	m68_apa[2A6]						
	C8 CAP_201	m68_apa[9D4]						
	C9 CAP_201	m68_apa[9D4]						
	C10 CAP_201	m68_apa[5C3]						
	C11 CAP_402	m68_apa[4A5]						
	C12 CAP_201	m68_apa[7A5]						
	C13 CAP_201	m68_apa[2A6]						
	C14 CAP_201	m68_apa[6A4]						
	C15 CAP_201	m68_apa[6A4]						
	C16 CAP_201	m68_apa[7A5]						
	C17 CAP_402	m68_apa[12B3]						
	C43 CAP_201	m68_apa[12D5]						
	C45 CAP_402	m68_apa[9B4]						
	C46 CAP_402	m68_apa[9B4]						
	C47 CAP_402	m68_apa[9B3]						
	C49 CAP_402	m68_apa[9B3]						
C57 CAP_P_CASE-S-SM	m68_apa[10C7]							
C58 CAP_201	m68_apa[7C3]							
C61 CAP_201	m68_apa[8D3]							
C62 CAP_201	m68_apa[9A6]							
C63 CAP_P_CASE-B3-LF	m68_apa[8C1]							
C65 CAP_201	m68_apa[9D3]							
C66 CAP_201	m68_apa[9C3]							
C67 CAP_805	m68_apa[9A2]							
C68 CAP_201	m68_apa[7C3]							
C73 CAP_P_402	m68_apa[7B5]							
C75 CAP_201	m68_apa[2D4]							
C78 CAP_201	m68_apa[2B8]							
C79 CAP_201	m68_apa[2B8]							
C80 CAP_603	m68_apa[8D3]							
C82 CAP_201	m68_apa[9A5]							
C83 CAP_201	m68_apa[9A5]							
C84 CAP_P_402	m68_apa[7A6]							
C85 CAP_603	m68_apa[9D3]							
C86 CAP_P_402	m68_apa[7A6]							
C87 CAP_201	m68_apa[2A7]							
C88 CAP_201	m68_apa[2B7]							
C89 CAP_201	m68_apa[7C6]							
C90 CAP_201	m68_apa[2A7]							
C91 CAP_201	m68_apa[7D6]							
C92 CAP_201	m68_apa[2B7]							
C94 CAP_201	m68_apa[9A6]							
C95 CAP_201	m68_apa[9A6]							
C96 CAP_201	m68_apa[2D6]							
C97 CAP_201	m68_apa[2D5]							
C99 CAP_402	m68_apa[2D5]							
C100 CAP_P_402	m68_apa[7A7]							
C101 CAP_P_402	m68_apa[7B7]							
C107 CAP_402	m68_apa[2D4]							
C108 CAP_201	m68_apa[2D4]							
C109 CAP_201	m68_apa[2D4]							
C110 CAP_201	m68_apa[2D3]							
C111 CAP_201	m68_apa[2D3]							
C117 CAP_201	m68_apa[2D3]							
C118 CAP_201	m68_apa[2D3]							
C120 CAP_201	m68_apa[3D3]							
C121 CAP_201	m68_apa[3D3]							
C123 CAP_201	m68_apa[4D5]							
C124 CAP_201	m68_apa[5C6]							
C125 CAP_201	m68_apa[5C5]							
C127 CAP_201	m68_apa[4C2]							
C133 CAP_201	m68_apa[4C3]							
C134 CAP_201	m68_apa[4D2]							
C138 CAP_201	m68_apa[4C2]							
C142 CAP_201	m68_apa[4C2]							
C143 CAP_201	m68_apa[4D2]							
C144 CAP_201	m68_apa[4C2]							
C145 CAP_402	m68_apa[4C2]							
C146 CAP_201	m68_apa[4D2]							
C147 CAP_201	m68_apa[4C2]							
C148 CAP_P_CASE-S-SM	m68_apa[10C7]							
C149 CAP_201	m68_apa[4B2]							
C151 CAP_201	m68_apa[4B2]							
C152 CAP_201	m68_apa[6B7]							
C153 CAP_603	m68_apa[8D7]							
C154 CAP_603	m68_apa[8D7]							
C156 CAP_402	m68_apa[8D6]							
C159 RES_201	m68_apa[6C6]							
C160 CAP_603	m68_apa[9D4]							
C163 CAP_201	m68_apa[9A4]							
C164 CAP_402	m68_apa[9B3]							
C165 CAP_603	m68_apa[6D5]							
C166 CAP_201	m68_apa[10D5]							
C168 CAP_603	m68_apa[9C3]							
C170 CAP_P_402	m68_apa[7C7]							
C171 CAP_P_402	m68_apa[7C8]							
C172 CAP_P_402	m68_apa[7B5]							
C173 CAP_P_402	m68_apa[7B2]							
C174 CAP_P_402	m68_apa[7B2]							
C175 CAP_201	m68_apa[9D7]							
C176 CAP_201	m68_apa[9D7]							
C177 CAP_201	m68_apa[9D5]							
C183 CAP_201	m68_apa[4A6]							
C184 CAP_201	m68_apa[9B3]							
C188 CAP_201	m68_apa[11D5]							
C189 CAP_603	m68_apa[11D5]							
C209 CAP_201	m68_apa[6D5]							
C211 CAP_402	m68_apa[9C2]							
C212 CAP_201	m68_apa[9C1]							
C213 CAP_402	m68_apa[9C1]							
C214 CAP_402	m68_apa[9C1]							
C215 CAP_201	m68_apa[6D6]							
C216 CAP_201	m68_apa[6C3]							
C217 CAP_402	m68_apa[9B3]							
C218 CAP_201	m68_apa[12B5]							
C219 CAP_201	m68_apa[2A2]							
C220 CAP_201	m68_apa[2A1]							
C221 CAP_402	m68_apa[2D6]							
C228 CAP_201	m68_apa[7C7]							
C229 CAP_201	m68_apa[7C7]							
C237 CAP_201	m68_apa[7C7]							
C238 CAP_201	m68_apa[7C7]							
C257 CAP_201	m68_apa[13D4]							
C263 CAP_201	m68_apa[13D2]							
C266 CAP_402	m68_apa[13A3]							
C267 CAP_201	m68_apa[2D8]							
C269 CAP_201	m68_apa[7D7]							
C270 CAP_201	m68_apa[8A7]							
C271 CAP_402	m68_apa[8A7]							
C272 CAP_0201	m68_apa[8A6]							
C273 CAP_603	m68_apa[8A5]							
C274 CAP_201	m68_apa[6C5]							
C275 CAP_201	m68_apa[6B5]							
C276 CAP_201	m68_apa[3D5]							
C277 CAP_201	m68_apa[4B1]							
C278 CAP_201	m68_apa[4B1]							
C279 CAP_201	m68_apa[4B1]							
C280 CAP_201	m68_apa[4C2]							
C281 CAP_201	m68_apa[4B2]							
C282 CAP_201	m68_apa[4B2]							
C283 CAP_201	m68_apa[4B2]							
C284 CAP_201	m68_apa[4B2]							
C285 CAP_201	m68_apa[4B2]							
C286 CAP_201	m68_apa[4B2]							
C287 CAP_201	m68_apa[2D6]							
C288 CAP_201	m68_apa[2D4]							
C289 CAP_201	m68_apa[2D4]							
C290 CAP_201	m68_apa[7C7]							
C303 CAP_201	m68_apa[2D3]							
C304 CAP_201	m68_apa[3D4]							
C305 CAP_201	m68_apa[3D4]							
C306 CAP_201	m68_apa[3D3]							
C307 CAP_201	m68_apa[4C3]							
C308 CAP_201	m68_apa[4C3]							
C309 CAP_201	m68_apa[4C2]							
C310 CAP_201	m68_apa[4C1]							
C311 CAP_201	m68_apa[4C1]							
C312 CAP_201	m68_apa[4C1]							
C315 CAP_201	m68_apa[13A2]							
C316 CAP_201	m68_apa[13B1]							
C317 CAP_201	m68_apa[13B1]							
C318 CAP_201	m68_apa[14A6]							
C321 CAP_603	m68_apa[8D3]							
C322 CAP_201	m68_apa[7B3]							
C324 CAP_201	m68_apa[8C5]							
C325 CAP_603	m68_apa[13D7]							
C326 CAP_603	m68_apa[13D7]							
C327 CAP_201	m68_apa[13D7]							
C328 CAP_201	m68_apa[6B5]							
C329 CAP_402	m68_apa[8A4]							
C400 CAP_201	m68_apa[8A2]							
C416 CAP_402	m68_apa[8C6]							
C925 CAP_201	m68_apa[7D6]							
D1 DIODE_SCHOT_SM	m68_apa[8D4]							
D2 DIODE_SCHOT_SOD-323	m68_apa[8B6]							
D3 DIODE_SCHOT_2P_SOD-9	m68_apa[8D3]							
D22 SUPPR_NUP412VP5_SOT9	m68_apa[11C5]							
D210 SUPPR_TRANSIENT1_201	m68_apa[10B4]							
D216 SUPPR_TRANSIENT1_201	m68_apa[10B4]							
D217 SUPPR_TRANSIENT1_201	m68_apa[10B4]							
D218 SUPPR_TRANSIENT1_201	m68_apa[10B4]							
D218 SUPPR_NUP412VP5_SOT9	m68_apa[12C4]							
FL8 FILTER_2P_0201	m68_apa[11B4]							
FL13 FILTER_2P_0201	m68_apa[11B4]							
FL14 FILTER_2P_0201	m68_apa[11A4]							
FL15 FILTER_2P_0201	m68_apa[11A4]							
FL16 FILTER_2P_0201	m68_apa[11B7]							
FL17 FILTER_2P_0201	m68_apa[11A7]							
FL18 FILTER_2P_0402	m68_apa[11C7]							
FL19 FILTER_2								

8

7

6

5

4

3

2

1

Y3 CRYSTAL\_4PIN\_SM-2 m68\_apo[6A4]

D

D

C

C

B

B

A

A

8

7

6

5

4

3

2

1