

8

7

6

5

4

3

2

1

- 1. ALL RESISTANCE VALUES ARE IN OHMS, 0.1 WATT +/- 5%.
- 2. ALL CAPACITANCE VALUES ARE IN MICROFARADS.
- 3. ALL CRYSTALS & OSCILLATOR VALUES ARE IN HERTZ.

REV	ZONE	ECN	DESCRIPTION OF CHANGE	CK APPD	ENG APPD
				DATE	DATE
27		472272	ENGINEERING RELEASED	11/07/06	?

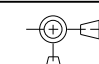

IPOD M68 RADIO

DVT - 11/06/06

PAGE	CONTENTS
02	BASEBAND
03	BASEBAND + MEMORY
04	BASEBAND PMU
05	GSM RF
06	SYSTEM CONNECTORS
07	BLUETOOTH
08	WLAN RADIO
09	FUNCTIONAL TEST POINTS

BOARD - 820-2021
 SCHEMATIC - 051-7111
 BOM - 630-7588

PART#	QTY	DESCRIPTION	REFERENCE DESIGNATOR(S)	CRITICAL	BOM OPTION
051-7111	1	M68_RADIO_SCHEMATIC	SCH	Y	
820-2021	1	M68_RADIO_PCB	PCB	Y	
825-2029	1	EEE	EEE:VKT	Y	

DIMENSIONS ARE IN MILLIMETERS XX : _____ X.XX : _____ X.XXX : _____ ANGLES : _____ DO NOT SCALE DRAWING  THIRD ANGLE PROJECTION	METRIC		 Apple Computer Inc. NOTICE OF PROPRIETARY PROPERTY THE INFORMATION CONTAINED HEREIN IS THE PROPRIETARY PROPERTY OF APPLE COMPUTER, INC. THE POSSESSOR AGREES TO THE FOLLOWING: I TO MAINTAIN THE DOCUMENT IN CONFIDENCE II NOT TO REPRODUCE OR COPY IT III NOT TO REVEAL OR PUBLISH IN WHOLE OR PART	
	DRAPTER	DESIGN CK		M68 DRAWING NUMBER 051-7111 REV. 27
	ENG APPD	MFG APPD		
	QA APPD	DESIGNER		
RELEASE	SCALE	TITLE		
MATERIAL/FINISH NOTED AS APPLICABLE		SIZE D	SHEET 1 OF 11	

8

7

6

5

4

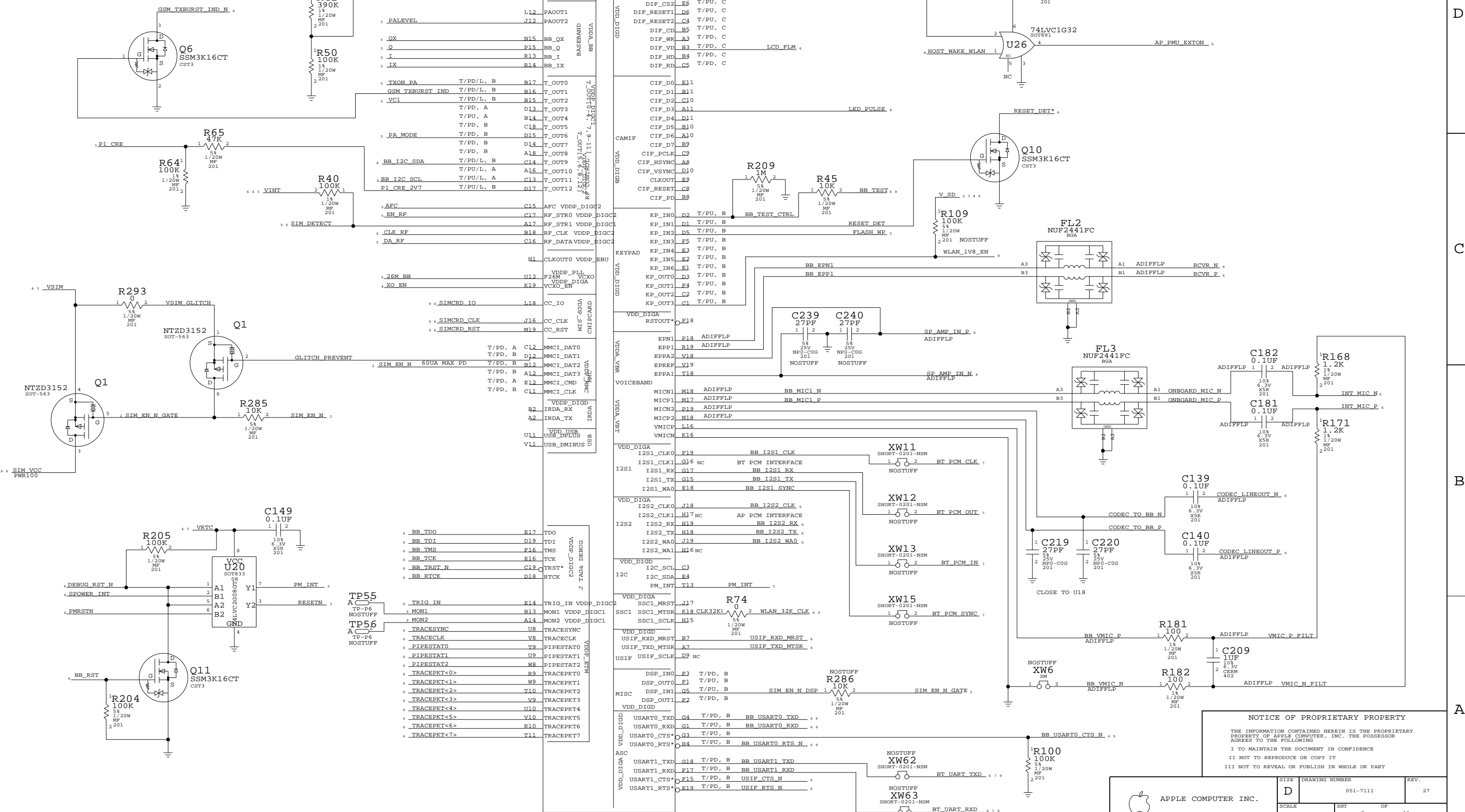
3

2

1

GSM BB

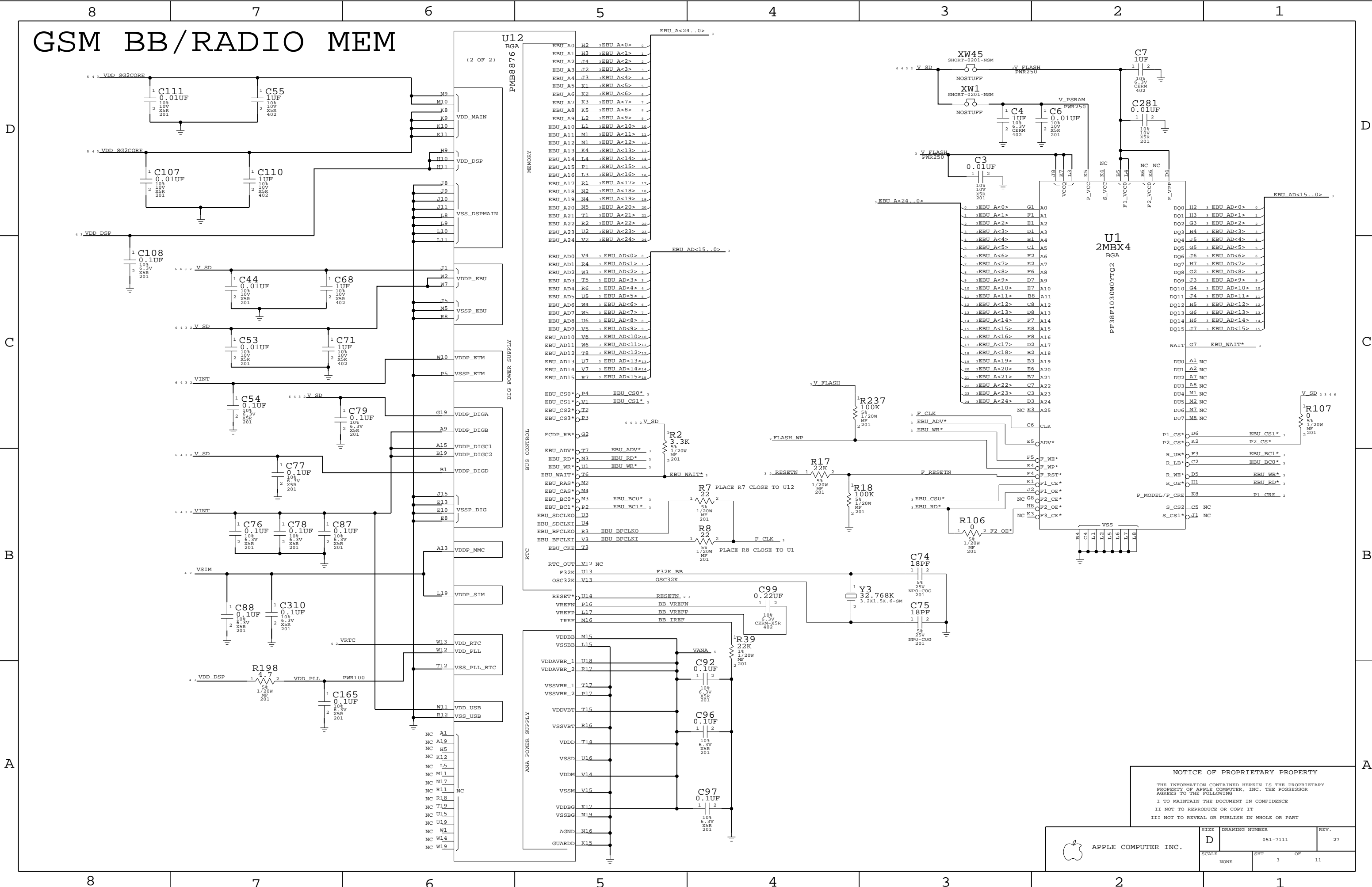
HW ID RESISTOR (R41)
 3.3K = M62 DEV
 6.8K = M68 RADIO PROTO1 & 2
 10K = TBD
 15K = TBD
 22K = TBD
 33K = TBD



NOTICE OF PROPRIETARY PROPERTY
 THE INFORMATION CONTAINED HEREIN IS THE PROPRIETARY PROPERTY OF APPLE COMPUTER, INC. THE POSSESSOR AGREES TO THE FOLLOWING:
 I TO MAINTAIN THE DOCUMENT IN CONFIDENCE
 II NOT TO REPRODUCE OR COPY IT
 III NOT TO REVEAL OR PUBLISH IN WHOLE OR PART

APPLE COMPUTER INC.	SIZE	DRAWING NUMBER	REV.
	D	051-7111	27
SCALE	SHT	OF	11
NONE	2		

GSM BB/RADIO MEM



NOTICE OF PROPRIETARY PROPERTY

THE INFORMATION CONTAINED HEREIN IS THE PROPRIETARY PROPERTY OF APPLE COMPUTER, INC. THE POSSESSOR AGREES TO THE FOLLOWING

I TO MAINTAIN THE DOCUMENT IN CONFIDENCE

II NOT TO REPRODUCE OR COPY IT

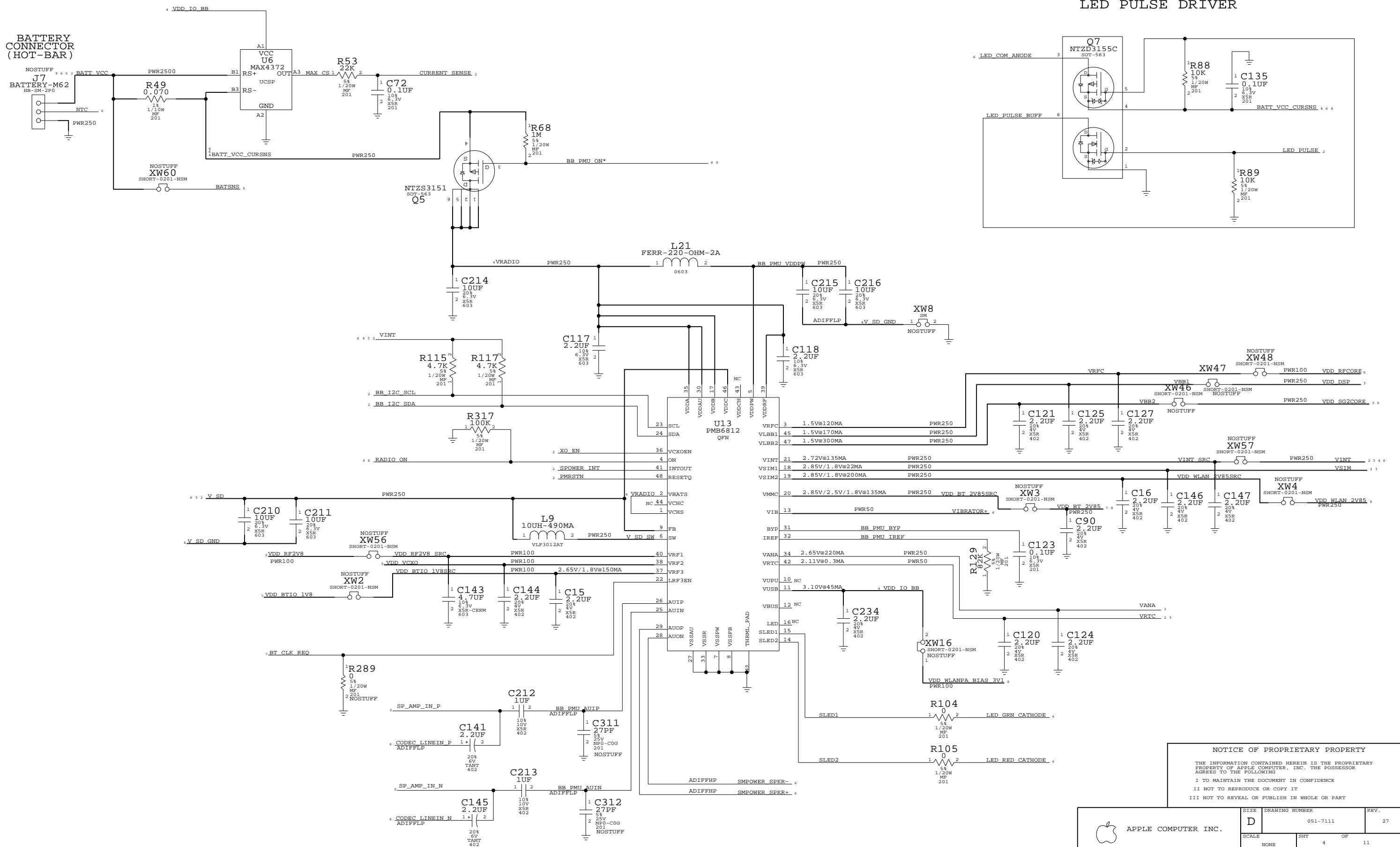
III NOT TO REVEAL OR PUBLISH IN WHOLE OR PART

APPLE COMPUTER INC.	SIZE D	DRAWING NUMBER 051-7111	REV. 27
	SCALE NONE	SHEET 3	OF 11

PMU

BATTERY CONNECTOR (HOT-BAR)

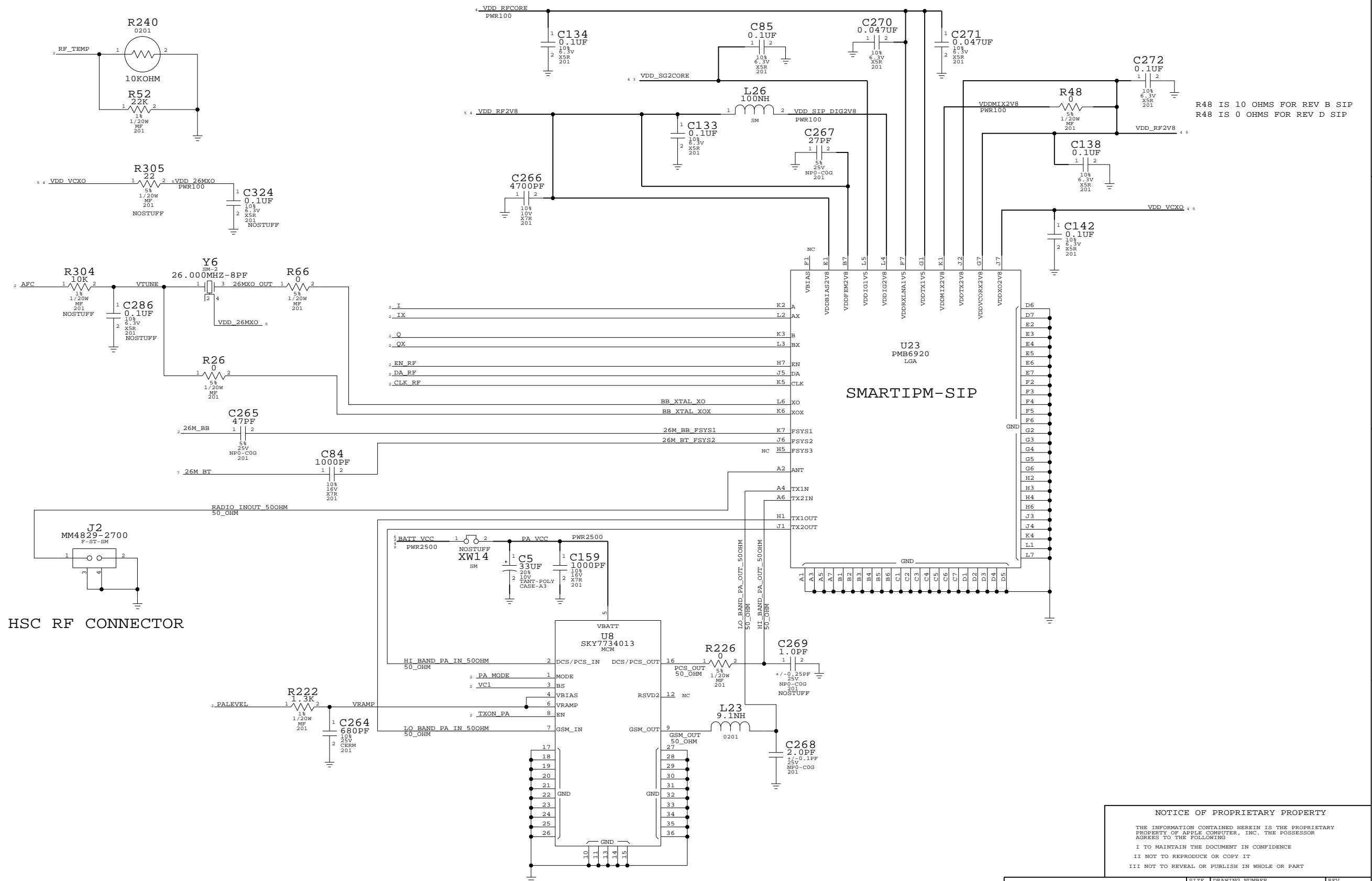
LED PULSE DRIVER



NOTICE OF PROPRIETARY PROPERTY
THE INFORMATION CONTAINED HEREIN IS THE PROPRIETARY PROPERTY OF APPLE COMPUTER, INC. THE POSSESSOR AGREES TO THE FOLLOWING
I TO MAINTAIN THE DOCUMENT IN CONFIDENCE
II NOT TO REPRODUCE OR COPY IT
III NOT TO REVEAL OR PUBLISH IN WHOLE OR PART

APPLE COMPUTER INC.	SCALE	SHT	OF	REV.
	NONE	4	11	27

GSM RF - SMARTIPM-SIP + SKYWORKS



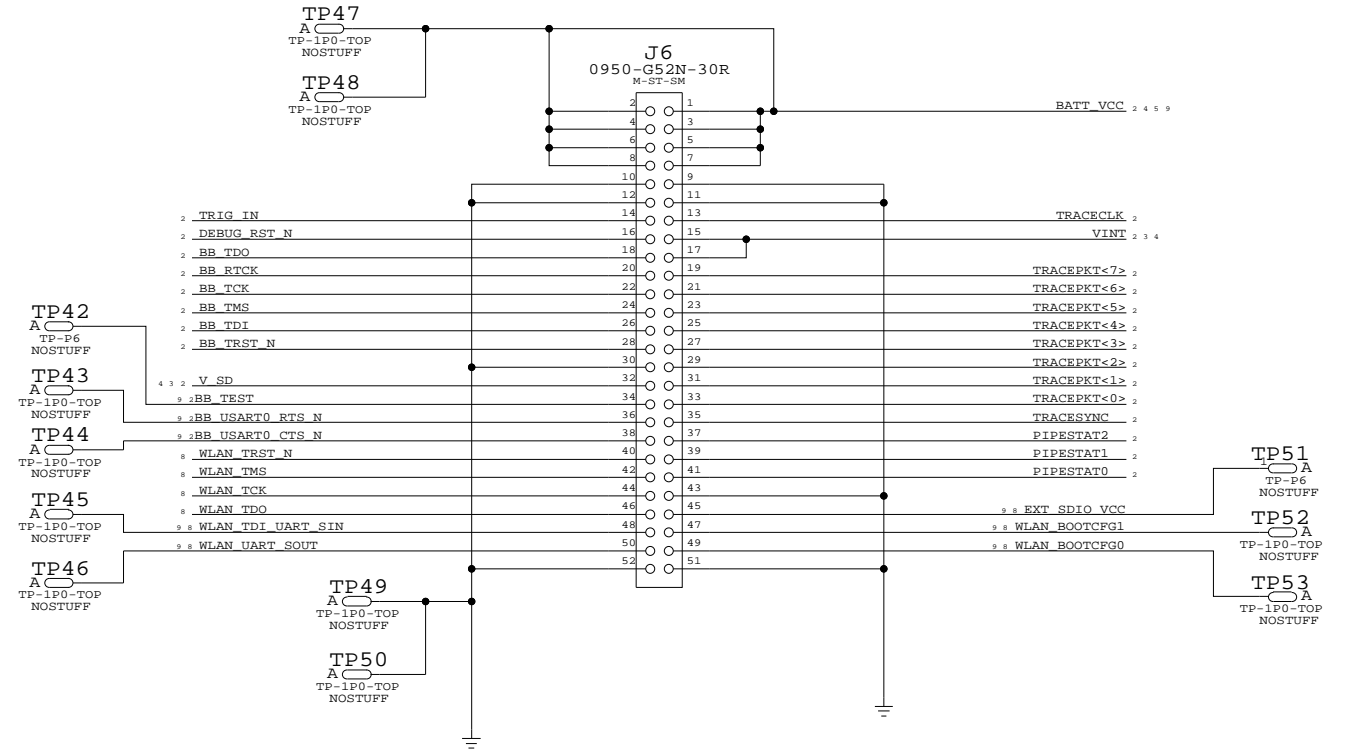
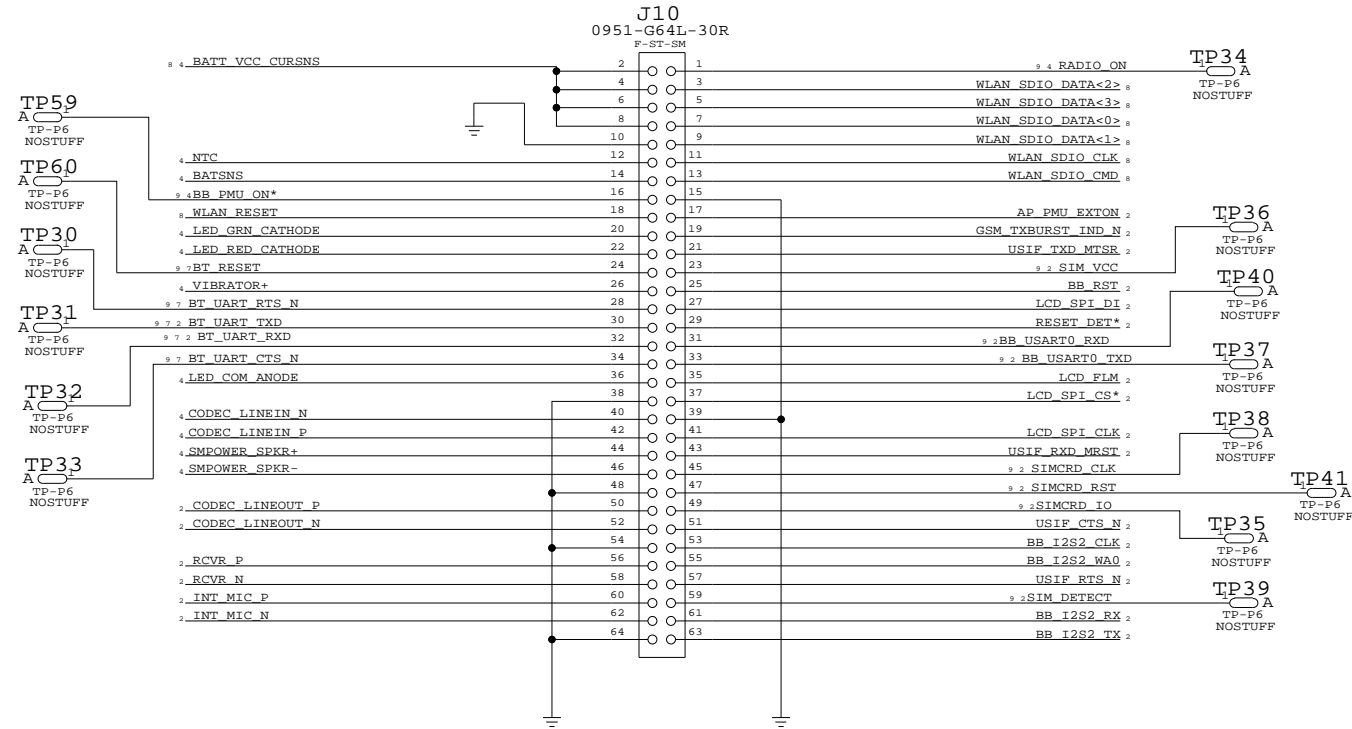
NOTICE OF PROPRIETARY PROPERTY
 THE INFORMATION CONTAINED HEREIN IS THE PROPRIETARY PROPERTY OF APPLE COMPUTER, INC. THE POSSESSOR AGREES TO THE FOLLOWING:
 I TO MAINTAIN THE DOCUMENT IN CONFIDENCE
 II NOT TO REPRODUCE OR COPY IT
 III NOT TO REVEAL OR PUBLISH IN WHOLE OR PART

APPLE COMPUTER INC.	SIZE	DRAWING NUMBER	REV.
	D	051-7111	27
SCALE	SHEET		OF
NONE	5		11

SYSTEM CONNECTORS

AP CONNECTOR 516S0505

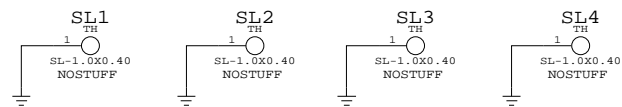
DEBUG CONNECTOR 998-1410



SHIELD CAN



SHIELD CAN ALIGNMENT SLOTS

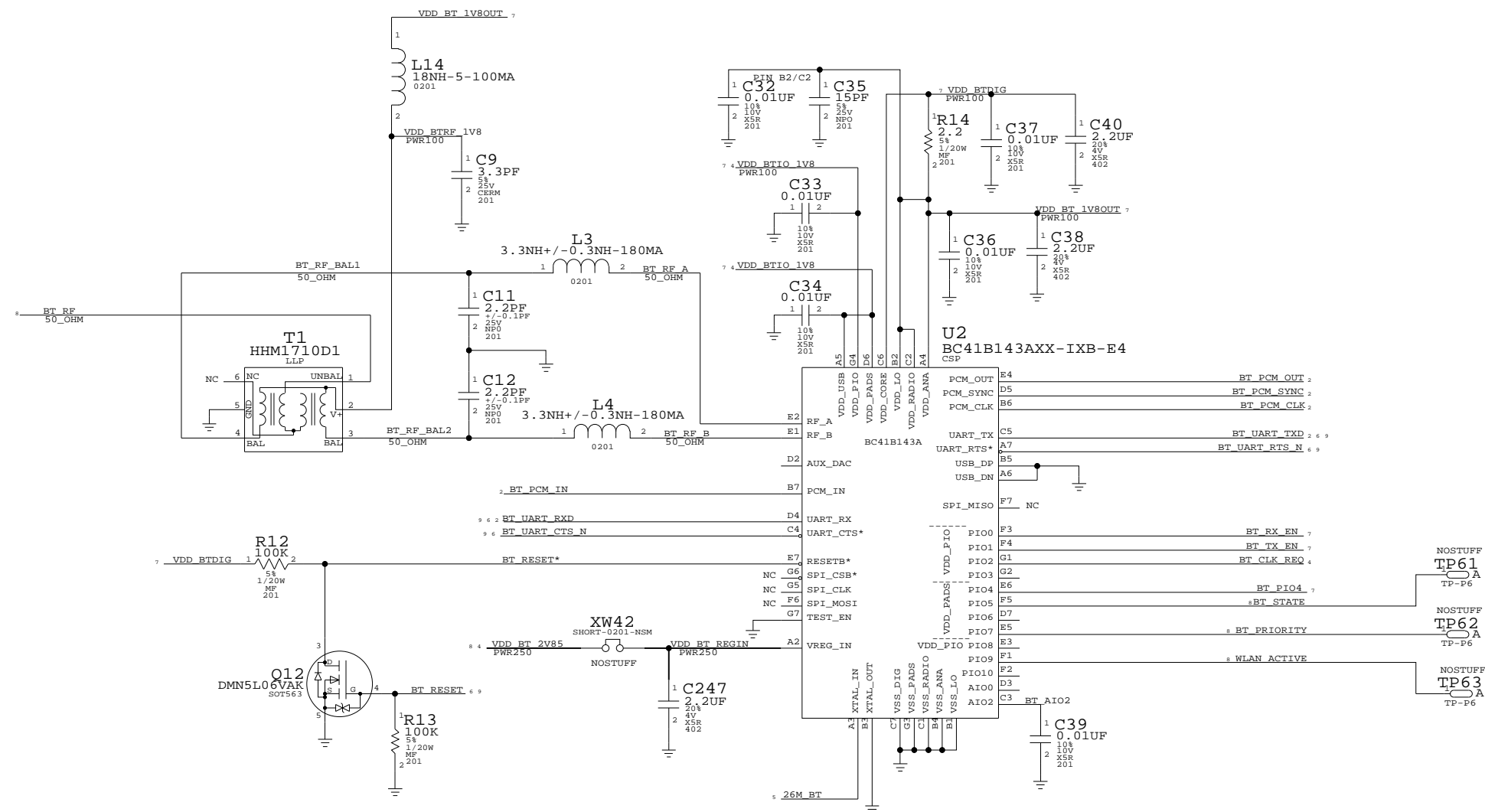


NOTICE OF PROPRIETARY PROPERTY

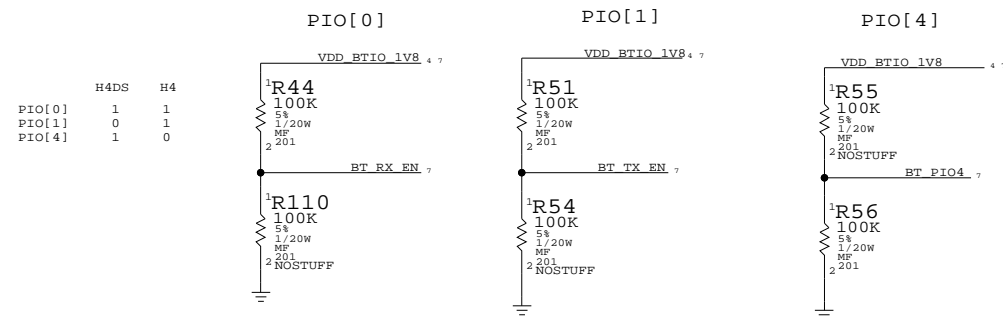
THE INFORMATION CONTAINED HEREIN IS THE PROPRIETARY PROPERTY OF APPLE COMPUTER, INC. THE POSSESSOR AGREES TO THE FOLLOWING:
I TO MAINTAIN THE DOCUMENT IN CONFIDENCE
II NOT TO REPRODUCE OR COPY IT
III NOT TO REVEAL OR PUBLISH IN WHOLE OR PART

APPLE COMPUTER INC.	SIZE	DRAWING NUMBER	REV.
	D	051-7111	27
SCALE	SHT		OF
NONE	6		11

BLUETOOTH RADIO



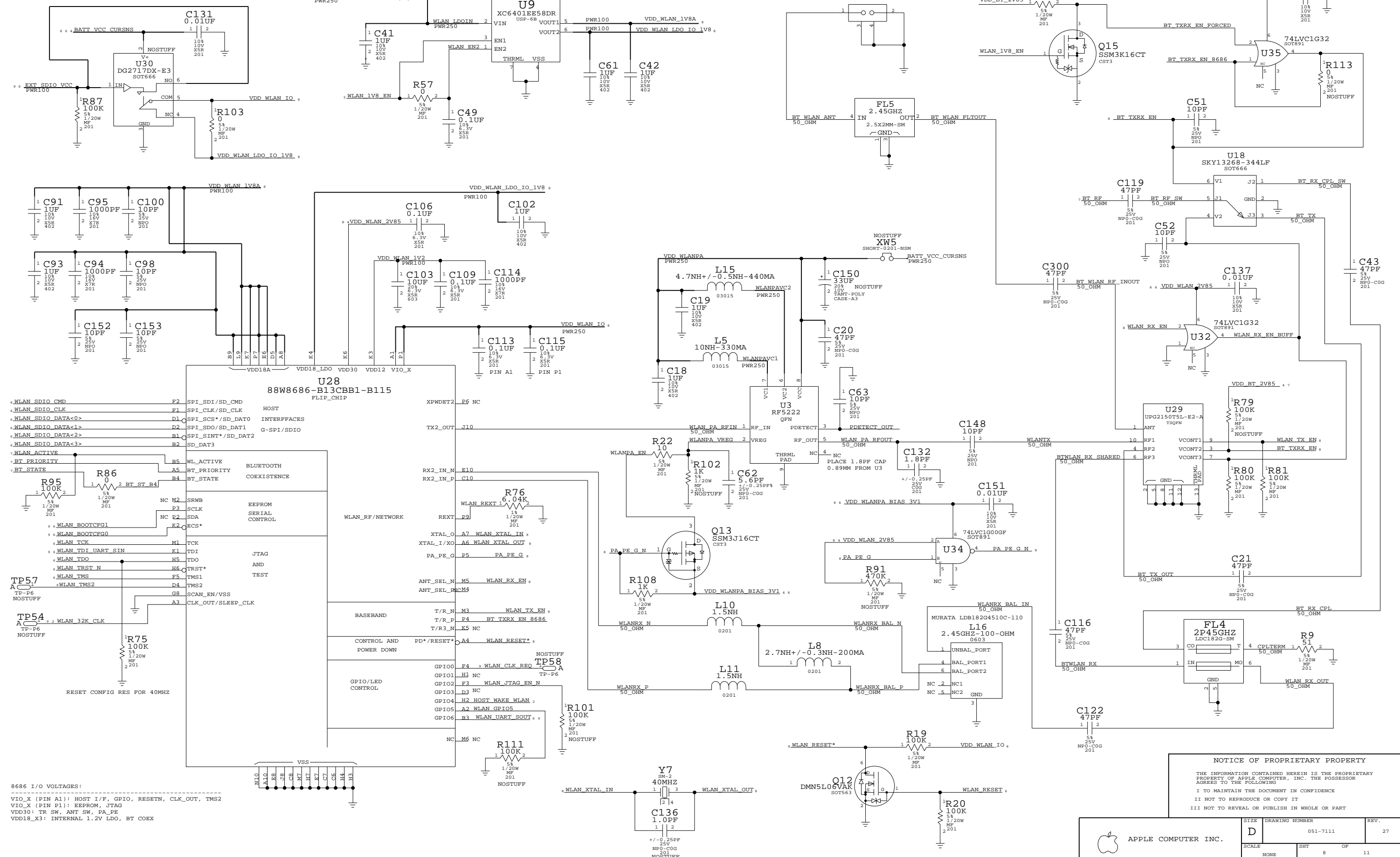
HOST TRANSPORT CONFIGURATION RESISTORS



NOTICE OF PROPRIETARY PROPERTY
 THE INFORMATION CONTAINED HEREIN IS THE PROPRIETARY PROPERTY OF APPLE COMPUTER, INC. THE POSSESSOR AGREES TO THE FOLLOWING:
 I TO MAINTAIN THE DOCUMENT IN CONFIDENCE
 II NOT TO REPRODUCE OR COPY IT
 III NOT TO REVEAL OR PUBLISH IN WHOLE OR PART

APPLE COMPUTER INC.	SIZE	DRAWING NUMBER	REV.
	D	051-7111	27
SCALE	SHT 7 OF 11		
NONE			

WLAN RADIO



88W8686-B13CBB1-B115
FLIP_CHIP

WLAN SDIO CMD	F2	SPI_SD1/SD_CMD	HOST
WLAN SDIO CLK	F1	SPI_CLK/SD_CLK	HOST
WLAN SDIO DATA<0>	D1	SPI_SCS*/SD_DAT0	INTERFACES
WLAN SDIO DATA<1>	D2	SPI_SDO/SD_DAT1	G-SPI/SDIO
WLAN SDIO DATA<2>	B1	SPI_SINT*/SD_DAT2	
WLAN SDIO DATA<3>	B2	SD_DAT3	
WLAN_ACTIVE		WL_ACTIVE	BLUETOOTH
BT PRIORITY	B5	BT_PRIORITY	COEXISTENCE
BT STATE	A5	BT_STATE	
	B4	BT_STATE	
	M2	SRWB	EEPROM
	F3	SCLK	SERIAL CONTROL
	E2	SDA	
	K2	ECS*	
	M1	TCK	JTAG
	K1	TDI	
	H5	TDO	AND
	H6	TRST*	TEST
	F5	TMS1	
	D4	TMS2	
	G8	SCAN_EN/VSS	
	A3	CLK_OUT/SLEEP_CLK	

BASEBAND: T/R_N M3 WLAN_TX_EN, T/R_P P4 BT_TXRX_EN_8686, T/R3_N K5 NC

CONTROL AND POWER DOWN: PD*/RESET* A4 WLAN_RESET*

GPIO/LED CONTROL: GPIO0 F4 WLAN_CLK_REQ TP58, GPIO1 H1 NC, GPIO2 F3 WLAN_JTAG_EN_N, GPIO3 D3 NC, GPIO4 H2 HOST_WAKE_WLAN, GPIO5 A2 WLAN_GPIO5, GPIO6 B3 WLAN_UART_SOUT*

GPIO0: F4 WLAN_CLK_REQ TP58

GPIO1: H1 NC

GPIO2: F3 WLAN_JTAG_EN_N

GPIO3: D3 NC

GPIO4: H2 HOST_WAKE_WLAN

GPIO5: A2 WLAN_GPIO5

GPIO6: B3 WLAN_UART_SOUT*

8686 I/O VOLTAGES:

VIO_X (PIN A1): HOST I/P, GPIO, RESETN, CLK_OUT, TMS2

VIO_X (PIN P1): EEPROM, JTAG

VDD30: TR SW, ANT SW, PA_PE

VDD18_X3: INTERNAL 1.2V LDO, BT COEX

NOTICE OF PROPRIETARY PROPERTY

THE INFORMATION CONTAINED HEREIN IS THE PROPRIETARY PROPERTY OF APPLE COMPUTER, INC. THE POSSESSOR AGREES TO THE FOLLOWING:

I TO MAINTAIN THE DOCUMENT IN CONFIDENCE

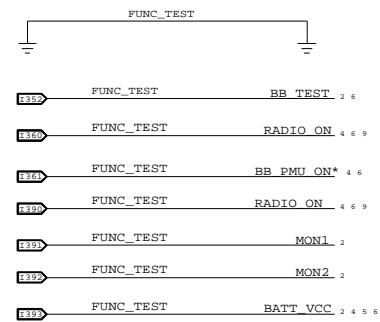
II NOT TO REPRODUCE OR COPY IT

III NOT TO REVEAL OR PUBLISH IN WHOLE OR PART

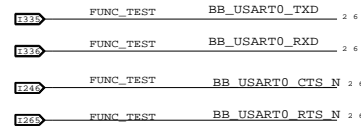
APPLE COMPUTER INC.	SIZE	DRAWING NUMBER	REV.
	D	051-7111	27
SCALE	SHEET	OF	
NONE	8	11	

FUNCTIONAL TEST POINTS

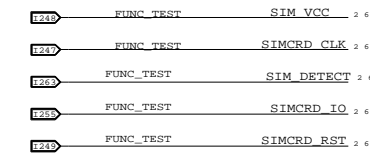
BB CONTROL



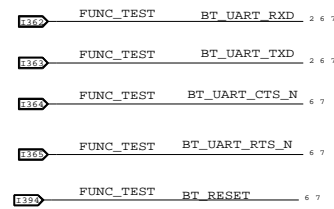
BB USART TEST POINTS



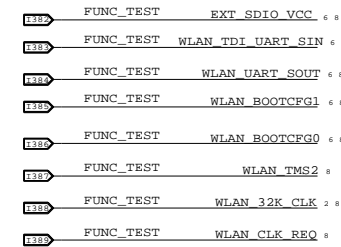
SIM CARD TEST POINTS



BLUETOOTH



WLAN



NOTICE OF PROPRIETARY PROPERTY

THE INFORMATION CONTAINED HEREIN IS THE PROPRIETARY PROPERTY OF APPLE COMPUTER, INC. THE POSSESSOR AGREES TO THE FOLLOWING
 I TO MAINTAIN THE DOCUMENT IN CONFIDENCE
 II NOT TO REPRODUCE OR COPY IT
 III NOT TO REVEAL OR PUBLISH IN WHOLE OR PART

APPLE COMPUTER INC.	SIZE D	DRAWING NUMBER 051-7111	REV. 27
	SCALE NONE	SHEET 9	OF 11

8			7			6			5			4			3			2			1		
Title: Cref Part Report			C219 CAP_201 m68[2B3]			C220 CAP_201 m68[2B3]			R106 RES_201 m68[3B3]			R107 RES_201 m68[3C1]											
Design: m68			C234 CAP_402 m68[4A4]			C239 CAP_201 m68[2C4]			R108 RES_201 m68[8B5]			R109 RES_201 m68[2C3]											
Date: Nov 6 14:16:29 2006			C240 CAP_201 m68[2C4]			C247 CAP_402 m68[7B5]			R110 RES_201 m68[7A5]			R111 RES_201 m68[8A6]											
C3 CAP_201 m68[3D3]			C264 CAP_201 m68[3D3]			C265 CAP_201 m68[5B6]			R115 RES_201 m68[4C6]			R117 RES_201 m68[4C6]											
C4 CAP_402 m68[3D3]			C266 CAP_201 m68[5D5]			C267 CAP_201 m68[5D3]			R119 RES_201 m68[4B3]			R168 RES_201 m68[2B1]											
C5 CAP_P_CASE-A3 m68[5B5]			C268 CAP_201 m68[5A4]			C269 CAP_201 m68[5A3]			R171 RES_201 m68[2B1]			R181 RES_201 m68[2A2]											
C6 CAP_201 m68[3D2]			C270 CAP_201 m68[5D3]			C271 CAP_201 m68[5D3]			R182 RES_201 m68[2A2]			R198 RES_201 m68[3A7]											
C7 CAP_402 m68[7C6]			C272 CAP_201 m68[5D2]			C281 CAP_201 m68[3D2]			R204 RES_201 m68[2A8]			R205 RES_201 m68[2B8]											
C9 CAP_201 m68[7C6]			C286 CAP_201 m68[5C7]			C300 CAP_201 m68[8C3]			R209 RES_201 m68[2C4]			R222 RES_201 m68[5A6]											
C11 CAP_201 m68[7C6]			C310 CAP_201 m68[3B7]			C311 CAP_201 m68[4A5]			R226 RES_201 m68[5A4]			R237 RES_201 m68[3C4]											
C12 CAP_201 m68[7C6]			C312 CAP_201 m68[4A5]			C324 CAP_201 m68[5C6]			R240 THERMISTER_0201 m68[5D7]			R285 RES_201 m68[2B7]											
C15 CAP_402 m68[4B5]			FL2 FIL_NUF2441FC_SWAP_B m68[2C3]			FL3 FIL_NUF2441FC_SWAP_B m68[2B2]			R286 RES_201 m68[2A4]			R289 RES_201 m68[4A6]											
C16 CAP_402 m68[4B2]			FL4 FILTER_LDC182G_LDC18 m68[8B2]			FL5 FILTER_LFB2H_2_5X2MM m68[8D4]			R293 RES_201 m68[2C8]			R304 RES_201 m68[5C7]											
C18 CAP_402 m68[8C5]			J2 CON_F2ST_COAX_S2MT_S m68[5B7]			J4 CON_F2ST_COAX_S2MT_S m68[8D4]			R305 RES_201 m68[5C7]			R317 RES_201 m68[4B6]											
C19 CAP_402 m68[8C5]			J6 CON_M52ST_D_SM_M-ST- m68[6C3]			J7 CON_3BH_S_HB_SM-2P0 m68[4D8]			R317 RES_201 m68[4B6]			SH1 SHLD_LP_SM1 m68[6A7]											
C20 CAP_201 m68[8C4]			L3 IND_0201 m68[7C5]			L4 IND_0201 m68[7C5]			R317 RES_201 m68[4B6]			SH2 SHLD_LP_SM1 m68[6A6]											
C21 CAP_201 m68[8B2]			L5 IND_03015 m68[8C4]			L8 IND_0201 m68[8A4]			R317 RES_201 m68[4B6]			SH2 SHLD_LP_SM1 m68[6A6]											
C22 CAP_201 m68[8B2]			L9 IND_VLF2012AT m68[4B5]			L10 IND_0201 m68[8A4]			R317 RES_201 m68[4B6]			SH2 SHLD_LP_SM1 m68[6A6]											
C23 CAP_201 m68[7D5]			L11 IND_0201 m68[8A4]			L14 IND_0201 m68[8D6]			R317 RES_201 m68[4B6]			SH2 SHLD_LP_SM1 m68[6A6]											
C33 CAP_201 m68[7C5]			L15 IND_03015 m68[8C4]			L16 FIL_LDB18_0603 m68[8A3]			R317 RES_201 m68[4B6]			SH2 SHLD_LP_SM1 m68[6A6]											
C34 CAP_201 m68[7C5]			L21 IND_0603 m68[4C5]			L23 IND_0201 m68[5A4]			R317 RES_201 m68[4B6]			SH2 SHLD_LP_SM1 m68[6A6]											
C35 CAP_201 m68[7D5]			L26 IND_SM m68[5D4]			Q1 TRA_DUAL_PCH_NTZD315 m68[2B8 2B7]			R317 RES_201 m68[4B6]			SH2 SHLD_LP_SM1 m68[6A6]											
C36 CAP_201 m68[7C4]			Q5 TRA_PCH_NTZS3151_SOT m68[4C6]			Q6 TRA_MOSFET_NCHN_3P_C m68[2D8]			R317 RES_201 m68[4B6]			SH2 SHLD_LP_SM1 m68[6A6]											
C37 CAP_201 m68[7D4]			Q7 TRA_DUAL_NPCH_NTZD31 m68[4D2]			Q10 TRA_MOSFET_NCHN_3P_C m68[2C3]			R317 RES_201 m68[4B6]			SH2 SHLD_LP_SM1 m68[6A6]											
C38 CAP_402 m68[7C4]			Q11 TRA_MOSFET_NCHN_3P_C m68[2A7]			Q12 TRA_DUAL_DMNSL06VAK_ m68[7B6]			R317 RES_201 m68[4B6]			SH2 SHLD_LP_SM1 m68[6A6]											
C39 CAP_201 m68[7B4]			Q12 TRA_DUAL_DMNSL06VAK_ m68[8A4]			Q13 TRA_PCH_SSM316CT_CS m68[8B5]			R317 RES_201 m68[4B6]			SH2 SHLD_LP_SM1 m68[6A6]											
C40 CAP_402 m68[7D4]			R2 RES_201 m68[3B5]			R7 RES_201 m68[3B4]			R8 RES_201 m68[3B4]			R9 RES_201 m68[3D7]											
C41 CAP_402 m68[8D6]			R12 RES_201 m68[7B6]			R13 RES_201 m68[7B6]			R14 RES_201 m68[7A4]			R17 RES_201 m68[3B4]											
C42 CAP_402 m68[8D5]			R18 RES_201 m68[3B4]			R19 RES_201 m68[8A3]			R20 RES_201 m68[8A3]			R22 RES_201 m68[8B5]											
C43 CAP_201 m68[8C1]			R24 RES_201 m68[8C3]			R26 RES_201 m68[5C6]			R39 RES_201 m68[3A4]			R40 RES_201 m68[2C7]											
C44 CAP_201 m68[3C7]			R32 RES_201 m68[3B4]			R41 RES_201 m68[2D7]			R42 RES_201 m68[2D7]			R44 RES_201 m68[7A5]											
C49 CAP_201 m68[8D6]			R33 RES_201 m68[7A5]			R45 RES_201 m68[2C4]			R48 RES_201 m68[5D2]			R49 RES_201 m68[4D7]											
C51 CAP_201 m68[8D2]			R34 RES_201 m68[5D2]			R50 RES_201 m68[2D7]			R51 RES_201 m68[7A5]			R52 RES_201 m68[5D7]											
C52 CAP_201 m68[8C2]			R35 RES_201 m68[4D6]			R54 RES_201 m68[7A5]			R55 RES_201 m68[7A4]			R56 RES_201 m68[7A4]											
C53 CAP_201 m68[3C7]			R36 RES_201 m68[5C6]			R57 RES_201 m68[8D6]			R64 RES_201 m68[2C7]			R65 RES_201 m68[2C7]											
C54 CAP_201 m68[3C7]			R37 RES_201 m68[8B5]			R66 RES_201 m68[5C6]			R74 RES_201 m68[2A4]			R75 RES_201 m68[8A8]											
C55 CAP_402 m68[3D7]			R38 RES_201 m68[7A5]			R76 RES_201 m68[8B6]			R78 RES_201 m68[8C3]			R79 RES_201 m68[8B2]											
C61 CAP_402 m68[8D5]			R39 RES_201 m68[5D7]			R80 RES_201 m68[8B2]			R81 RES_201 m68[8B1]			R86 RES_201 m68[8B8]											
C62 CAP_201 m68[8B4]			R40 RES_201 m68[8B5]			R87 RES_201 m68[8D8]			R88 RES_201 m68[4D2]			R89 RES_201 m68[4C2]											
C63 CAP_201 m68[8B4]			R41 RES_201 m68[8C3]			R91 RES_201 m68[8B4]			R95 RES_201 m68[8B8]			R100 RES_201 m68[2A3]											
C65 CAP_201 m68[8C3]			R42 RES_201 m68[8B3]			R95 RES_201 m68[8B8]			R101 RES_201 m68[8A5]			R102 RES_201 m68[8B5]											
C68 CAP_402 m68[3C7]			R43 RES_201 m68[8B5]			R99 RES_201 m68[8B4]			R103 RES_201 m68[8D7]			R104 RES_201 m68[4A3]											
C70 CAP_201 m68[2D3]			R44 RES_201 m68[8C3]			R99 RES_201 m68[8B4]			R105 RES_201 m68[4A3]														
C71 CAP_402 m68[3B7]			R45 RES_201 m68[8B3]			R99 RES_201 m68[8B4]																	
C72 CAP_201 m68[4D6]			R46 RES_201 m68[8B3]			R99 RES_201 m68[8B4]																	
C74 CAP_201 m68[3B3]			R47 RES_201 m68[8B3]			R99 RES_201 m68[8B4]																	
C75 CAP_201 m68[3B3]			R48 RES_201 m68[8B3]			R99 RES_201 m68[8B4]																	
C76 CAP_201 m68[3B7]			R49 RES_201 m68[8B3]			R99 RES_201 m68[8B4]																	
C77 CAP_201 m68[3B7]			R50 RES_201 m68[8B3]			R99 RES_201 m68[8B4]																	
C78 CAP_201 m68[3B7]			R51 RES_201 m68[8B3]			R99 RES_201 m68[8B4]																	
C79 CAP_201 m68[3C7]			R52 RES_201 m68[8B3]			R99 RES_201 m68[8B4]																	
C84 CAP_201 m68[5B6]			R53 RES_201 m68[8B3]			R99 RES_201 m68[8B4]																	
C85 CAP_201 m68[5D4]			R54 RES_201 m68[8B3]			R99 RES_201 m68[8B4]																	
C87 CAP_201 m68[3B7]			R55 RES_201 m68[8B3]			R99 RES_201 m68[8B4]																	
C88 CAP_201 m68[3B7]			R56 RES_201 m68[8B3]			R99 RES_201 m68[8B4]																	
C90 CAP_402 m68[4B2]			R57 RES_201 m68[8B3]			R99 RES_201 m68[8B4]																	
C91 CAP_402 m68[8C5]			R58 RES_201 m68[8B3]			R99 RES_201 m68[8B4]																	
C92 CAP_201 m68[3A4]			R59 RES_201 m68[8B3]			R99 RES_201 m68[8B4]																	
C93 CAP_402 m68[8C8]			R60 RES_201 m68[8B3]			R99 RES_201 m68[8B4]																	
C94 CAP_201 m68[8C8]			R61 RES_201 m68[8B3]			R99 RES_201 m68[8B4]																	
C95 CAP_201 m68[8C8]			R62 RES_201 m68[8B3]			R99 RES_201 m68[8B4]																	
C96 CAP_201 m68[3A4]			R63 RES_201 m68[8B3]			R99 RES_201 m68[8B4]																	
C97 CAP_201 m68[3A4]			R64 RES_201 m68[8B3]			R99 RES_201 m68[8B4]																	
C98 CAP_201 m68[8C8]			R65 RES_201 m68[8B3]			R99 RES_201 m68[8B4]																	
C99 CAP_402 m68[3B4]			R66 RES_201 m68[8B3]			R99 RES_201 m68[8B4]																	
C100 CAP_201 m68[8C8]			R67 RES_201 m68[8B3]			R99 RES_201 m68[8B4]																	
C102 CAP_402 m68[8C5]			R68 RES_201 m68[8B3]			R99 RES_201 m68[8B4]																	
C103 CAP_603 m68[8C6]			R69 RES_201 m68[8B3]			R99 RES_201 m68[8B4]																	
C106 CAP_201 m68[8C6]			R70 RES_201 m68[8B3]			R99 RES_201 m68[8B4]																	
C107 CAP_201 m68[3D8]			R71 RES_201 m68[8B3]			R99 RES_201 m68[8B4]																	
C108 CAP_201 m68[3C8]			R72 RES_201 m68[8B3]			R99 RES_201 m68[8B4]																	
C109 CAP_201 m68[8C6]			R73 RES_201 m68[8B3]			R99 RES_201 m68[8B4]																	
C110 CAP_402 m68[3D7]			R74 RES_201 m68[8B3]			R99 RES_201 m68[8B4]																	
C111 CAP_201 m68[3D8]			R75 RES_201 m68[8B3]			R99 RES_201 m68[8B4]																	
C113 CAP_201 m68[8C6]			R76 RES_201 m68[8B3]			R99 RES_201 m68[8B4]																	
C114 CAP_201 m68[8C6]			R77 RES_201 m68[8B3]			R99 RES_201 m68[8B4]																	
C115 CAP_201 m68[8C5]			R78 RES_201 m68[8B3]			R99 RES_201 m68[8B4]																	
C116 CAP_201 m68[8A3]			R79 RES_201 m68[8B3]			R99 RES_201 m68[8B4]																	
C117 CAP_603 m68[4C5]			R80 RES_201 m68[8B3]			R99 RES_201 m68[8B4]																	
C118 CAP_603 m68[4C4]			R81 RES_201 m68[8B3]			R99 RES_201 m68[8B4]																	
C119 CAP_201 m68[8C2]			R82 RES_201 m68[8B3]			R99 RES_201 m68[8B4]																	
C120 CAP_402 m68[4A3]			R83 RES_201 m68[8B3]			R99 RES_201 m68[8B4]																	
C121 CAP_402 m68[4B3]			R84 RES_201 m68[8B3]			R99 RES_201 m68[8B4]																	
C122 CAP_201 m68[8A2]			R85 RES_201 m68[8B3]			R99 RES_201 m68[8B4]																	
C123 CAP_201 m68[8B3]			R86 RES_201 m68[8B3]			R99 RES_201 m68[8B4]																	
C124 CAP_402 m68[4A3]			R87 RES_201 m68[8B3]			R99 RES_201 m68[8B4]																	
C125 CAP_402 m68[4B2]			R88 RES_201 m68[8B3]			R99 RES_201 m68[8B4]																	
C127 CAP_402 m68[4B2]			R89 RES_201 m68[8B3]			R99 RES_201 m68[8B4]																	
C131 CAP_201 m68[8D7]			R90 RES_201 m68[8B3]			R99 RES_201 m68[8B4]																	
C132 CAP_201 m68[8B3]			R91 RES_201 m68[8B3]			R99 RES_201 m68[8B4]																	
C133 CAP_20																							