

1. ALL RESISTANCE VALUES ARE IN OHMS, 0.1 WATT +/- 5%.  
 2. ALL CAPACITANCE VALUES ARE IN MICROFARADS.  
 3. ALL CRYSTALS & OSCILLATOR VALUES ARE IN HERTZ.

REV	ECN	DESCRIPTION OF REVISION	CK APPD	DATE
4	0004752417	ENGINEERING RELEASED		2015-08-24

# N69 MLB - EVT


LAST\_MODIFICATION=Wed Aug 19 11:42:47 2015

PAGE	<CSA>	CONTENTS	SYNC	DATE
1	1	TABLE OF CONTENTS		
2	3	SYSTEM:BOM TABLES		
3	4	SYSTEM:N69 SPECIFIC [4]		
4	5	SYSTEM:MECHANICAL		
5	6	SOC:JTAG,USB,XTAL		
6	7	SOC:PCIE		
7	8	SOC:CAMERA & DISPLAY		
8	9	SOC:SERIAL & GPIO		
9	10	SOC:OWL		
10	11	SOC:POWER (1/3)		
11	12	SOC:POWER (2/3)		
12	13	SOC:POWER (3/3)		
13	15	NAND		
14	20	SYSTEM POWER:PMU (1/3)		
15	21	SYSTEM POWER:PMU (2/3)		
16	22	SYSTEM POWER:PMU (3/3)		
17	23	SYSTEM POWER:CHARGER		
18	24	SYSTEM POWER:BATTERY CONN		
19	30	SENSORS:MOTION SENSORS		
20	31	CAMERA:FOREHEAD FLEX B2B		
21	32	CAMERA:REAR CAMERA B2B		
22	33	CAMERA:STROBE DRIVER		
23	35	AUDIO:CALTRA CODEC (1/2)		
24	36	AUDIO:CALTRA CODEC (2/2)		
25	37	AUDIO:SPEAKER DRIVER		
26	40	DISPLAY:POWER		
27	41	MESA POWER AND IO FILTERS		
28	42	DISPLAY FLEX		
29	43	D403 (TOUCH B2B, DRIVER ICS)		
30	45	I/O:TRISTAR 2		

PAGE	<CSA>	CONTENTS	SYNC	DATE
31	46	I/O:DOCK FLEX B2B		
32		I/O:BUTTON FLEX B2B		
33	49	BASEBAND:RADIO SYMBOL		
34	50	page1		
35	51	CELL:ALIASES		
36		AP INTERFACE & DEBUG CONNECTORS		
37		BASEBAND PMU (1 OF 2)		
38		BASEBAND PMU (2 OF 2)		
39		BASEBAND (1 OF 2)		
40		BASEBAND (1 OF 2)		
41		MOBILE DATA MODEM (2 OF 2)		
42		RF TRANSCEIVER (1 OF 3)		
43		RF TRANSCEIVER (2 OF 3)		
44		RF TRANSCEIVER (3 OF 3)		
45		QFE DCDC		
46		2G PA		
47		VERY LOW BAND PAD		
48		LOW BAND PAD		
49		MID BAND PAD		
50		HIGH BAND PAD		
51		ANTENNA SWITCH		
52		HIGH BAND SWITCH		
53		RX DIVERSITY		
54		RX DIVERSITY (2)		
55		GPS		
56		ANTENNA FEEDS		
57		WIFI/BT: MODULE AND FRONT END		
58		STOCKHOLM		
59		OMIT_TABLE_RF		
60		Radio Subdesign Ports		

- SCH 051-00648
- BRD 820-00282
- MCO 056-01352
- BOM 639-00931 (N69 BETTER)
- BOM 639-01012 (N69H BETTER)
- BOM 639-01231 (N69 BEST)
- BOM 639-01232 (N69H BEST)
- BOM 639-01271 (N69 ULTRA)
- BOM 639-01272 (N69H ULTRA)

TABLE OF CONTENTS

DRAWING TITLE		SCH, MLB, N69	
 Apple Inc.	DRAWING NUMBER	051-00648	SIZE
	REVISION	4.0.0	D
NOTICE OF PROPRIETARY PROPERTY:		BRANCH	
THE INFORMATION CONTAINED HEREIN IS THE PROPRIETARY PROPERTY OF APPLE INC. THE POSSESSOR AGREES TO THE FOLLOWING: I TO MAINTAIN THIS DOCUMENT IN CONFIDENCE II NOT TO REPRODUCE OR COPY IT III NOT TO REVEAL OR PUBLISH IT IN WHOLE OR PART IV ALL RIGHTS RESERVED		PAGE	
		1 OF 49	
		SHEET	
		1 OF 60	

### SCHEMATIC & PCB BOM CALLOUTS

PART#	QTY	DESCRIPTION	REFERENCE DESIGNATOR(S)	CRITICAL	BOM OPTION
051-00648	1	SCH_MLB_N69	SCH	CRITICAL	?
820-00282	1	PCBF_MLB_N69	PCB	CRITICAL	?
825-6838	1	EEEE CODE FOR 639-00931 16GB	EEEE_GH6K	CRITICAL	EEEE_16G
825-6838	1	EEEE CODE FOR 639-01012 16GB	EEEE_GJYD	CRITICAL	EEEE_16GH
825-6838	1	EEEE CODE FOR 639-01231 32GB	EEEE_GN7J	CRITICAL	EEEE_32G
825-6838	1	EEEE CODE FOR 639-01232 32GB	EEEE_GN7H	CRITICAL	EEEE_32GH
825-6838	1	EEEE CODE FOR 639-01271 64GB	EEEE_GP3V	CRITICAL	EEEE_64G
825-6838	1	EEEE CODE FOR 639-01272 64GB	EEEE_GP3W	CRITICAL	EEEE_64GH

### S3E NAND BOM OPTIONS

PART#	QTY	DESCRIPTION	REFERENCE DESIGNATOR(S)	CRITICAL	BOM OPTION
335S00054	1	NAND_1YNN_16GB_S3E_64G_T_SLGA70	U1500	CRITICAL	NAND_16G
335S00072	1	NAND_1YNN_32GB_S3E_64G_T_SLGA70	U1500	CRITICAL	NAND_32G
335S00076	1	NAND_1YNN_64GB_S3E_TTC_128G_H_SLGA70	U1500	CRITICAL	NAND_64G

PART NUMBER	ALTERNATE FOR PART NUMBER	BOM OPTION	REF DES	COMMENTS:
335S00071	335S00054	NAND_16G	U1500	HYNIX 16G SLGA70
335S00085	335S00072	NAND_32G	U1500	TOSHIBA 16G SLGA70

### CARBON BOM OPTIONS

PART#	QTY	DESCRIPTION	REFERENCE DESIGNATOR(S)	BOM OPTION
338S00017	1	IC_CARBON_MPU-6700-12_1GA16	U3010	INVENSENSE_CARBON
338S1163	1	IC_ACCSL_3-AXIS_D1G_8MA282_1GA14	U3020	INVENSENSE_CARBON
132S0316	1	CAP_CER_X5R_0.1UF_20%_6.3V_01005	C3020	INVENSENSE_CARBON
138S0692	1	CAP_CER_X5R_1UF_20%_6.3V_0201	C3021	INVENSENSE_CARBON
132S0316	1	CAP_CER_X5R_0.1UF_20%_6.3V_01005	C3022	INVENSENSE_CARBON
117S0202	1	RES_MF_200HM_5%_1/32W_01005	R3020	INVENSENSE_CARBON
117S0202	1	RES_MF_200HM_5%_1/32W_01005	R3021	INVENSENSE_CARBON
117S0202	1	RES_MF_200HM_5%_1/32W_01005	R3022	INVENSENSE_CARBON
338S00087	1	IC_CARBON_MPU-6800-00_1GA16	U3010	INVENSENSE_CARBON_1_1

### COMPASS PART NUMBER

PART#	QTY	DESCRIPTION	REFERENCE DESIGNATOR(S)	BOM OPTION
338S00084	1	IC_COMPASS_MAGNETOM_401A-19_F5GA14	U3000	COMMON

### SHIELD PART NUMBERS

PART#	QTY	DESCRIPTION	REFERENCE DESIGNATOR(S)	BOM OPTION
806-03629	1	SHIELD_EMI_UPPER_FRONT_N69	SH0500	COMMON
806-03630	1	SHIELD_EMI_LOWER_FRONT_N69	SH0501	COMMON
806-03556	1	SHIELD_EMI_BACK_N69	SH0503	COMMON

### POWER INDUCTOR ALTERNATES

PART NUMBER	ALTERNATE FOR PART NUMBER	BOM OPTION	REF DES	COMMENTS:
152S00117	152S00074	?	L2000	TAIYO 2016 1.0UH
152S00121	152S00081	?	L2001	TAIYO 2012 0.47UH
152S00120	152S00077	?	L2070	TAIYO 2016 1.0UH 0.65MM
152S00118	152S00075	?	L3700	TAIYO 2016 1.2UH
152S00123	152S1936	?	L4020	TAIYO 3225 15UH

### ALTERNATE BOM OPTIONS

PART NUMBER	ALTERNATE FOR PART NUMBER	BOM OPTION	REF DES	COMMENTS:
138S00032	138S0831	ALTERNATE	C0610	TY, 2.2UF, 0201
138S00049	138S0831	ALTERNATE	C0610	KYOCERA, 2.2UF, 0201
155S0660	155S0513	ALTERNATE	FL3100	MURATA, FERR, 22-OHM
138S00005	138S00003	ALTERNATE	C1500	TY, 15UF, 0402
138S00048	138S00003	ALTERNATE	C1500	KYOCERA, 15UF, 0402
118S0764	118S0717	ALTERNATE	R2250	PANASONIC, 3.92K-OHM, 0201
138S00006	138S0835	ALTERNATE	C1106	TY, 4.3UF, 0402
152S2052	152S1929	ALTERNATE	L2060	CYNTEC, 1UH, 1608
155S0773	155S0453	ALTERNATE	FL3101	TY, FERR, 120-OHM, 01005
377S0168	377S0140	ALTERNATE	D23150	TKX, VARIATOR, 6.8V, 100PP, 01005
155S00067	155S0581	ALTERNATE	FL4200	TKX, FERR, 240-OHM, 0201
155S00012	155S00009	ALTERNATE	L3100	MURATA, CHOKO, 65-OHM, 0605
138S0706	138S0739	ALTERNATE	C5302_RF	MURATA, CAP, CER, 10P, 20%, 100, 0201
138S0945	138S0739	ALTERNATE	C5302_RF	MURATA, CAP, CER, 10P, 20%, 100, 0201
155S00095	155S00068	ALTERNATE	FL1280	FERR 80.110 OHM, 20%, 100MM, 4 SMD, 01005
138S0648	138S0652	ALTERNATE	C3650	TY, 4.7UF, 0402
132S0400	132S0436	ALTERNATE	C1280	CAP, CER, X5R, 0.1UF, 20%, 6.3V, 01005
155S0960	155S0941	ALTERNATE	FL3151	FERR 80.75 OHM, 20%, 100MM, 4 SMD, 01005
138S00024	138S0986	ALTERNATE	C5201_RF	CAP, CER, 3-TERMS, 1, 10P, 20%, 01, 0201
335S00066	335S0946	ALTERNATE	U0900	IC, EEPROM, 16KB, 1, 8V, 120, 60204
376S00106	376S00047	ALTERNATE	Q2300	DIODES INC. ACT DIODE
343S0688	343S0638	ALTERNATE	U4301	CUMULUS 2ND FLOW
138S00022	138S0867	ALTERNATE	C1100	TY, 10UF, 0402
138S00020	138S0867	ALTERNATE	C1100	MURATA, 10UF, 0402

NOT ALL REFERENCE DESIGNATORS LISTED.  
USED 91 TIMES IN DESIGN.  
USED 91 TIMES IN DESIGN.  
USED 5 TIMES IN DESIGN.  
USED 61 TIMES IN DESIGN.  
USED 61 TIMES IN DESIGN.  
USED 1 TIME IN DESIGN.  
USED 20 TIMES IN DESIGN.  
USED 1 TIME IN DESIGN.  
USED 35 TIMES IN DESIGN.  
USED 9 TIMES IN DESIGN.  
USED 5 TIMES IN DESIGN.  
USED 10 TIMES IN DESIGN.  
USED 4 TIMES IN DESIGN.  
USED 4 TIMES IN DESIGN.  
USED 1 TIME IN DESIGN.  
USED 9 TIMES IN DESIGN.  
USED 1 TIME IN DESIGN.  
USED 8 TIMES IN DESIGN.  
USED 1 TIME IN DESIGN.  
USED 1 TIME IN DESIGN.  
USED 1 TIME IN DESIGN.  
USED 1 TIME IN DESIGN.  
USED 1 TIME IN DESIGN.  
USED 51 TIMES IN DESIGN.  
USED 51 TIMES IN DESIGN.

### PMU/SOC BOM OPTIONS

PART#	QTY	DESCRIPTION	REFERENCE DESIGNATOR(S)	BOM OPTION
339S00121	1	POP_MALTA+2GB 25NM DDR, AI, M, DEV	U0600	MALTA
118S00009	1	RES_MF_3.01KOHM, 1%, 1/32W, 01005	R0730	MALTA
131S0307	1	CAP_CER_NPO/COG_100PF, 5%, 16V, 01005	C0730	NOSTUFF
118S00025	1	RES_MF_330OHM, 1%, 1/32W, 01005	R0651	MALTA
132S0316	1	CAP_CER_X5R_0.1UF, 20%, 6.3V, 01005	C0731	NOSTUFF
338S00170	1	IC_PMU_ANTIQUA_D2255A1_OTP-BG	U2000	MALTA

PART#	QTY	DESCRIPTION	REFERENCE DESIGNATOR(S)	BOM OPTION
339S00096	1	POP_MAUI+2GB 25NM DDR, CO, H, DEV	U0600	MAUI
118S0631	1	RES_MF_100OHM, 1%, 1/32W, 01005	R0730	MAUI
131S0307	1	CAP_CER_NPO/COG_100PF, 5%, 16V, 01005	C0730	MAUI
117S0161	1	RES_MF_0OHM, 1/32W, 01005	R0651	MAUI
132S0316	1	CAP_CER_X5R_0.1UF, 20%, 6.3V, 01005	C0731	MAUI
338S00171	1	IC_PMU_ANTIQUA_D2255A1_OTP-FG	U2000	MAUI

### SOC ALTERNATES

PART NUMBER	ALTERNATE FOR PART NUMBER	BOM OPTION	REF DES	COMMENTS:
339S00122	339S00121	ALTERNATE	U0600	MALTA DEV, H DRAM
339S00123	339S00121			

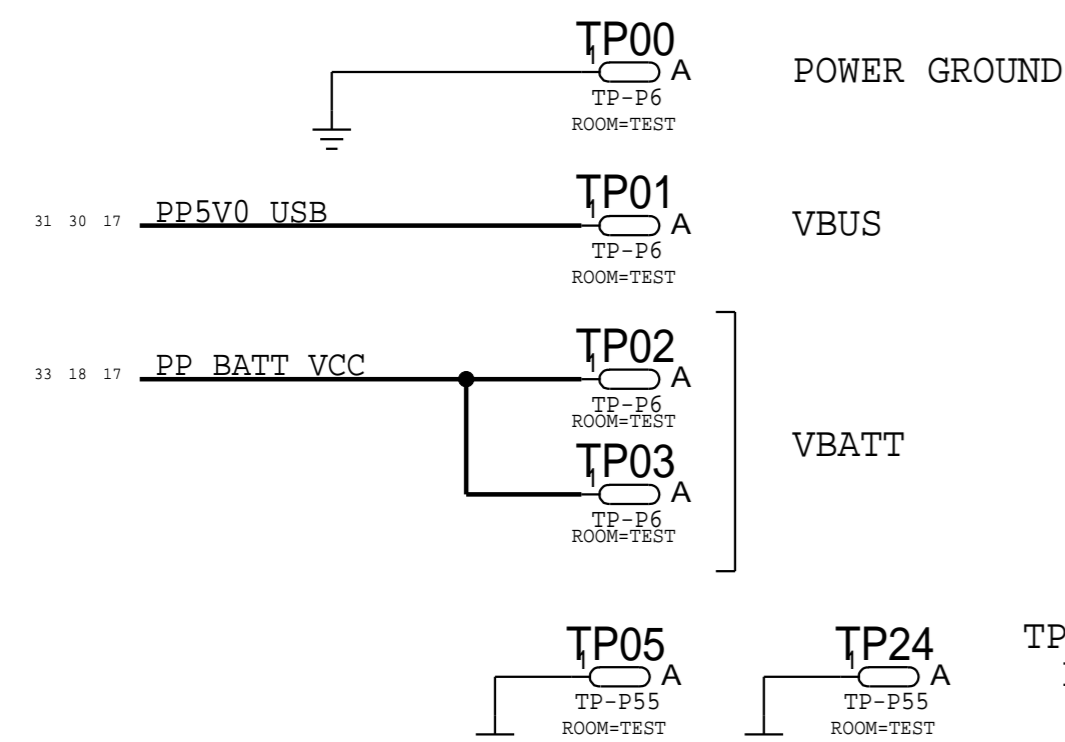
PART NUMBER	ALTERNATE FOR PART NUMBER	BOM OPTION	REF DES	COMMENTS:
339S00097	339S00096	ALTERNATE	U0600	MAUI DEV, M DRAM
339S00098	339S00096	ALTERNATE	U0600	MAUI DEV, S DRAM

SYNC_MASTER=N/A		SYNC_DATE=N/A	
PAGE TITLE			
<b>SYSTEM: BOM TABLES</b>			
	DRAWING NUMBER		SIZE
	051-00648		D
REVISION		4.0.0	
BRANCH			
PAGE		3 OF 49	
SHEET		2 OF 60	
NOTICE OF PROPRIETARY PROPERTY: THE INFORMATION CONTAINED HEREIN IS THE PROPRIETARY PROPERTY OF APPLE INC. THE POSSESSOR AGREES TO THE FOLLOWING: I TO MAINTAIN THIS DOCUMENT IN CONFIDENCE II NOT TO REPRODUCE OR COPY IT III NOT TO REVEAL OR PUBLISH IT IN WHOLE OR PART IV ALL RIGHTS RESERVED			

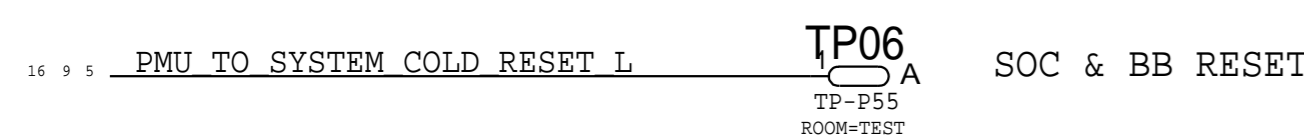


# TESTPOINTS

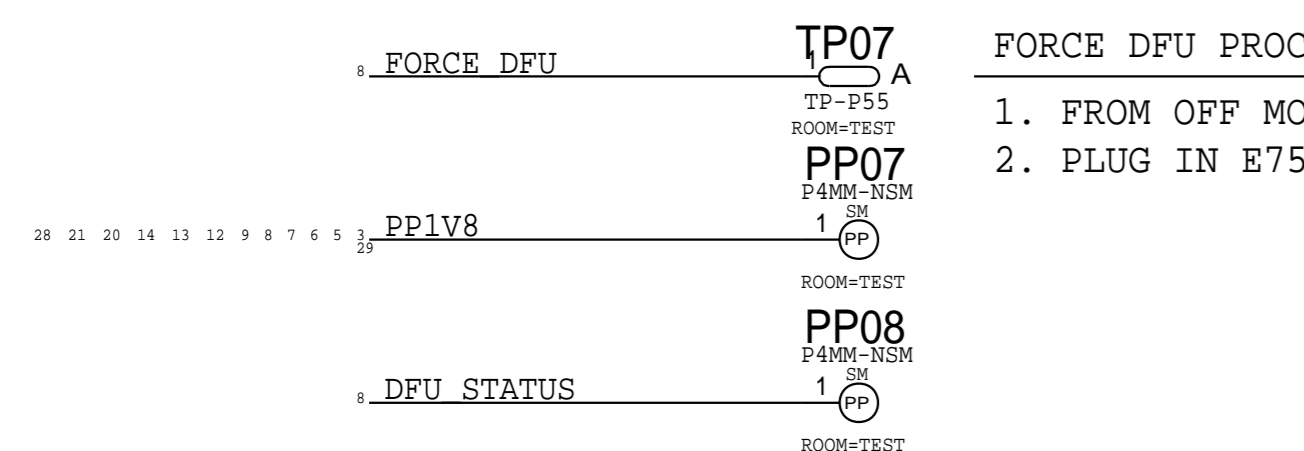
## POWER



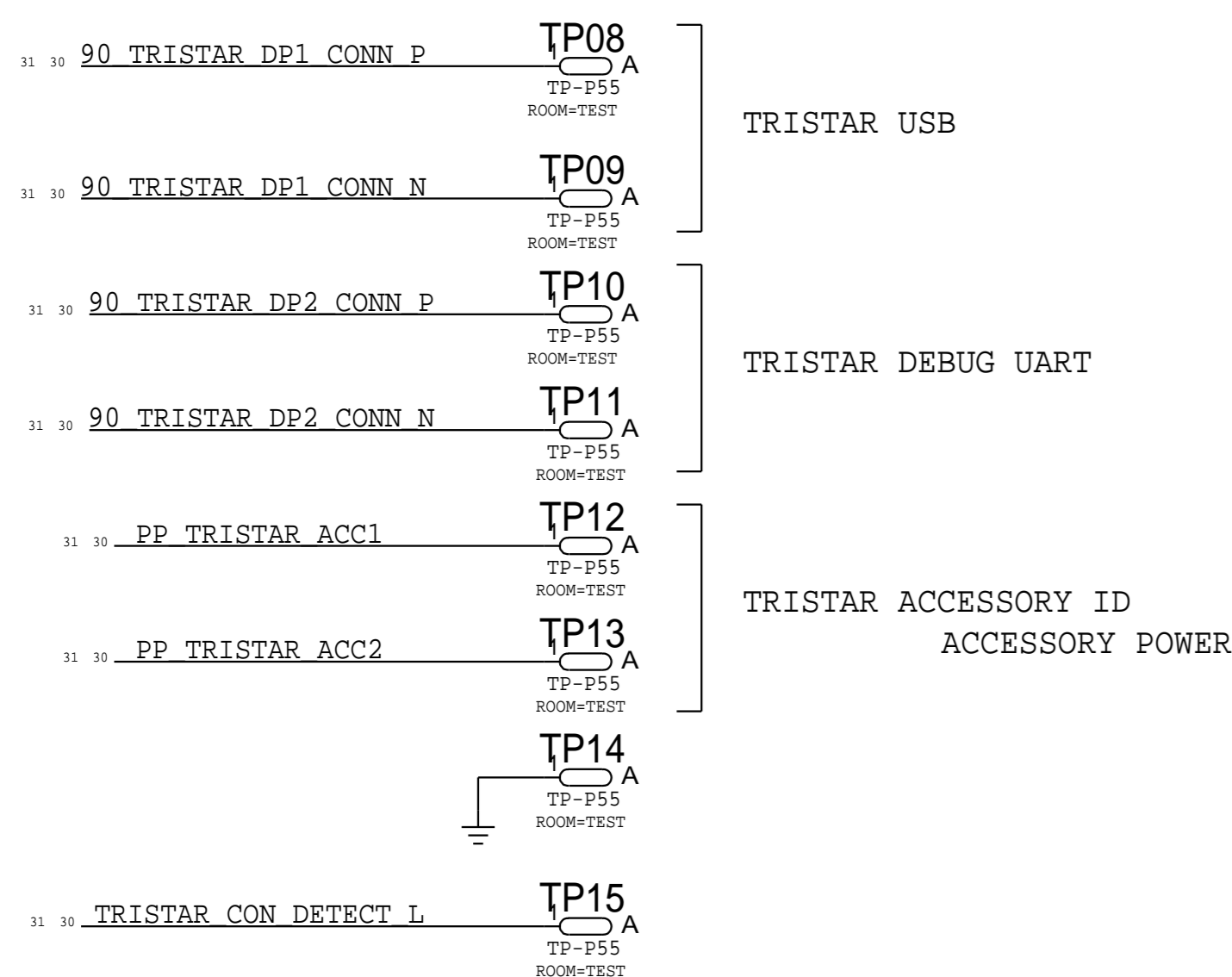
## RESET



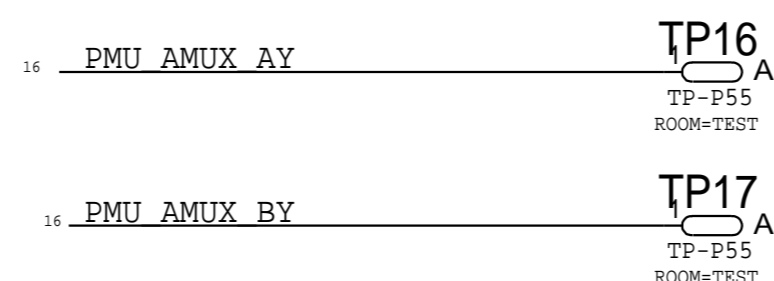
## DFU



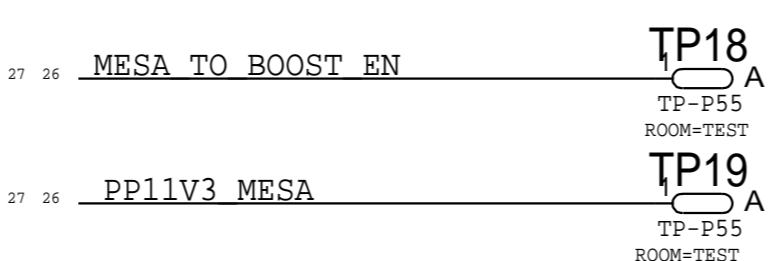
## E75



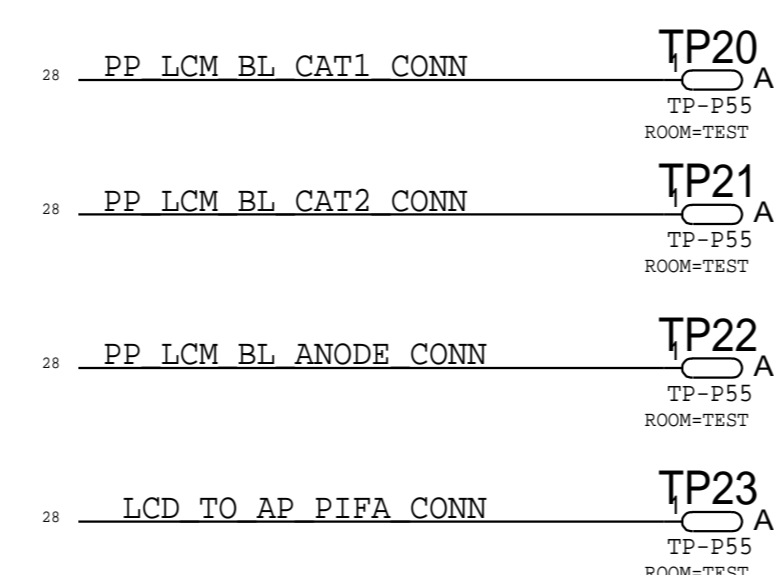
## AMUX



## MOJAVE



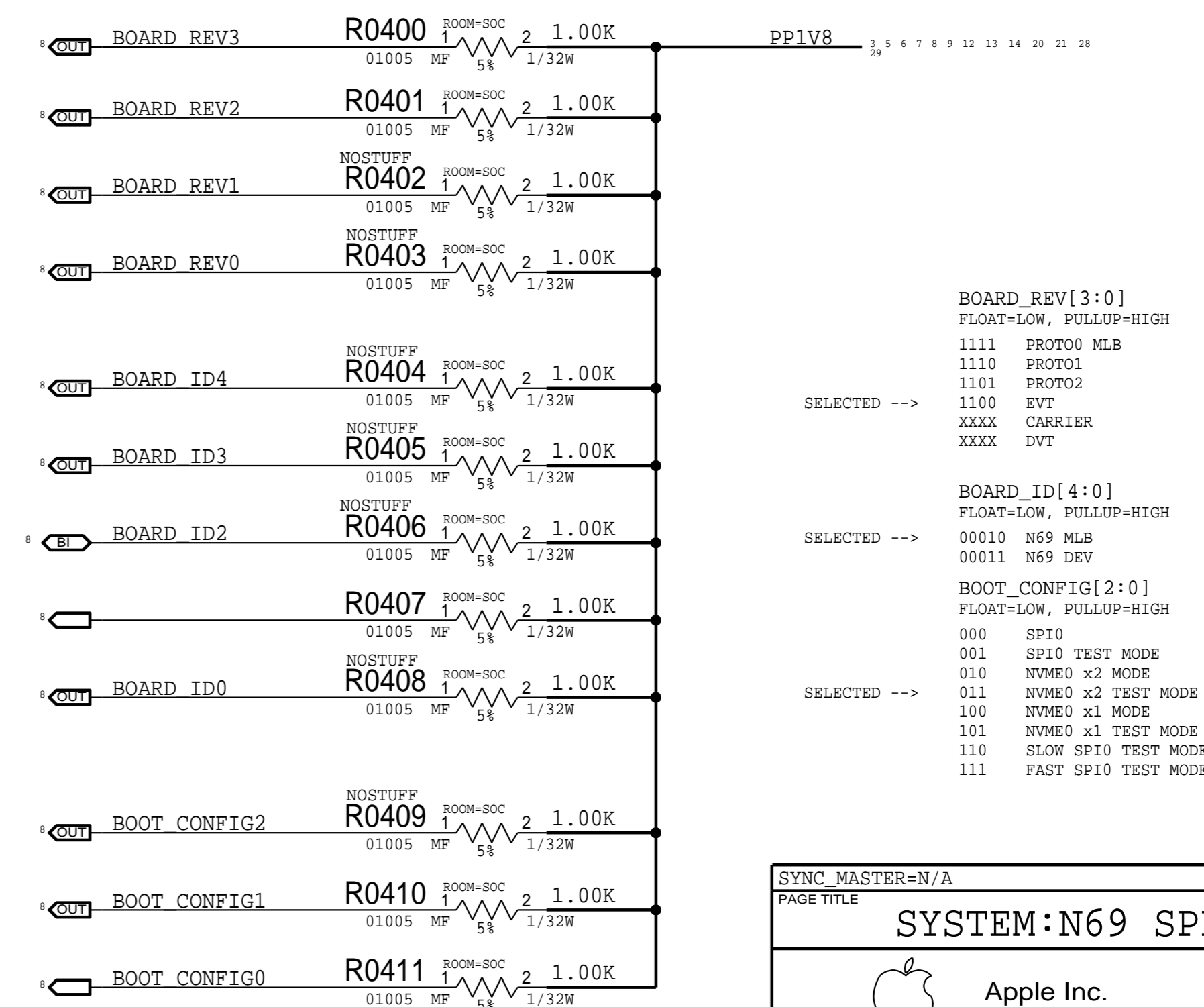
## LCM



# N69 I2C DEVICE MAP

I2C BUS	DEVICE	BINARY	7-BIT HEX	8-BIT HEX
I2C0	ANTIGUA PMU	1110100X	0X74	0XE8
	CHESTNUT	0100111X	0X27	0X4E
	BACKLIGHT	1100010X	0X62	0XC4
I2C1	TIGRIS	1110101X	0X75	0XEA
	SPEAKER AMP	1000000X	0X40	0X80
	TRISTAR	0011010X	0X1A	0X34
I2C2	ALS	0101001X	0X29	0X52
OWL	UNUSED	N/A	N/A	N/A
ISP I2C0	REAR CAM	TBD	TBD	TBD
	LED DRIVER	1100011X	0X63	0XC6
ISP I2C1	FRONT CAM	0110110X	0X36	0X6C
TOUCH I2C	UNUSED	N/A	N/A	N/A
SEP I2C	SEP EEPROM	1010001X	0x51	0xA2

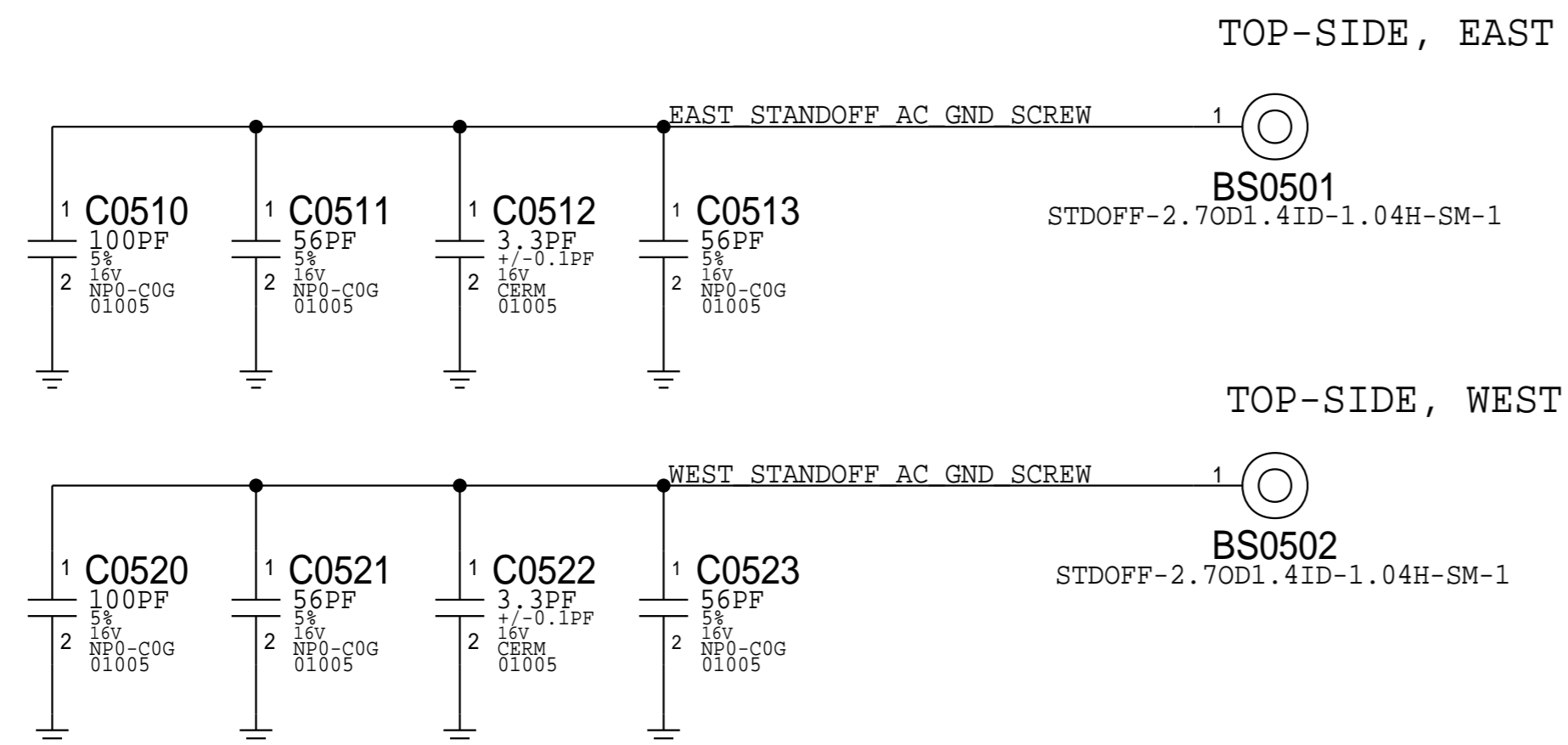
# BOOTSTRAPPING: BOARD REV BOARD ID BOOT CONFIG



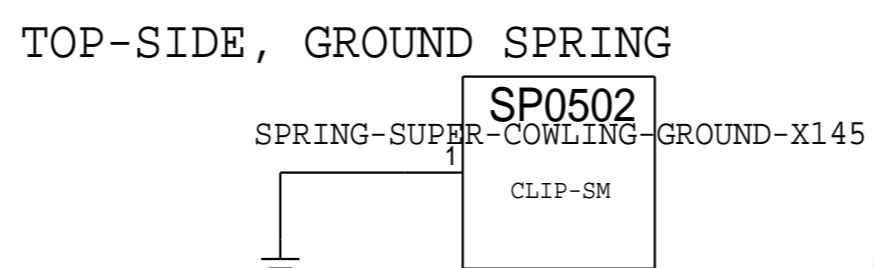
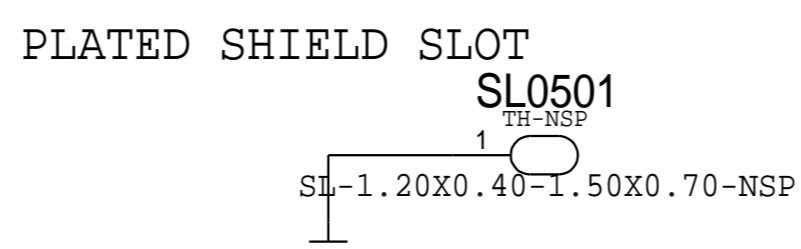
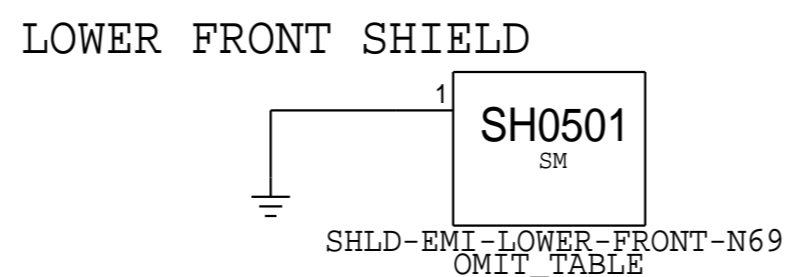
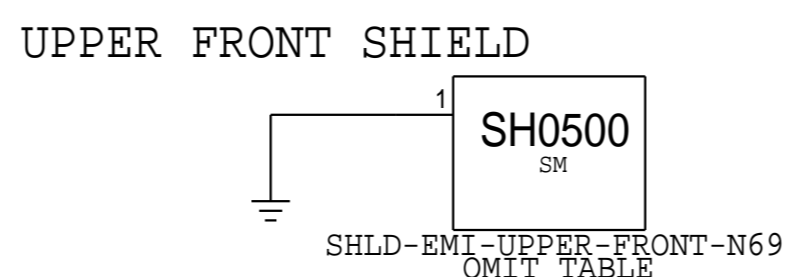
RESISTOR STUFF = HIGH '1'  
RESISTOR NOSTUFF = LOW '0'

SYNC_MASTER=N/A		SYNC_DATE=N/A	
PAGE TITLE SYSTEM:N69 SPECIFIC [4]			
DRAWING NUMBER 051-00648		SIZE D	
REVISION 4.0.0		BRANCH	
PAGE 4 OF 49		SHEET 3 OF 60	
NOTICE OF PROPRIETARY PROPERTY: THE INFORMATION CONTAINED HEREIN IS THE PROPRIETARY PROPERTY OF APPLE INC. THE POSSESSOR AGREES TO THE FOLLOWING: I TO MAINTAIN THIS DOCUMENT IN CONFIDENCE II NOT TO REPRODUCE OR COPY IT III NOT TO REVEAL OR PUBLISH IT IN WHOLE OR PART IV ALL RIGHTS RESERVED			

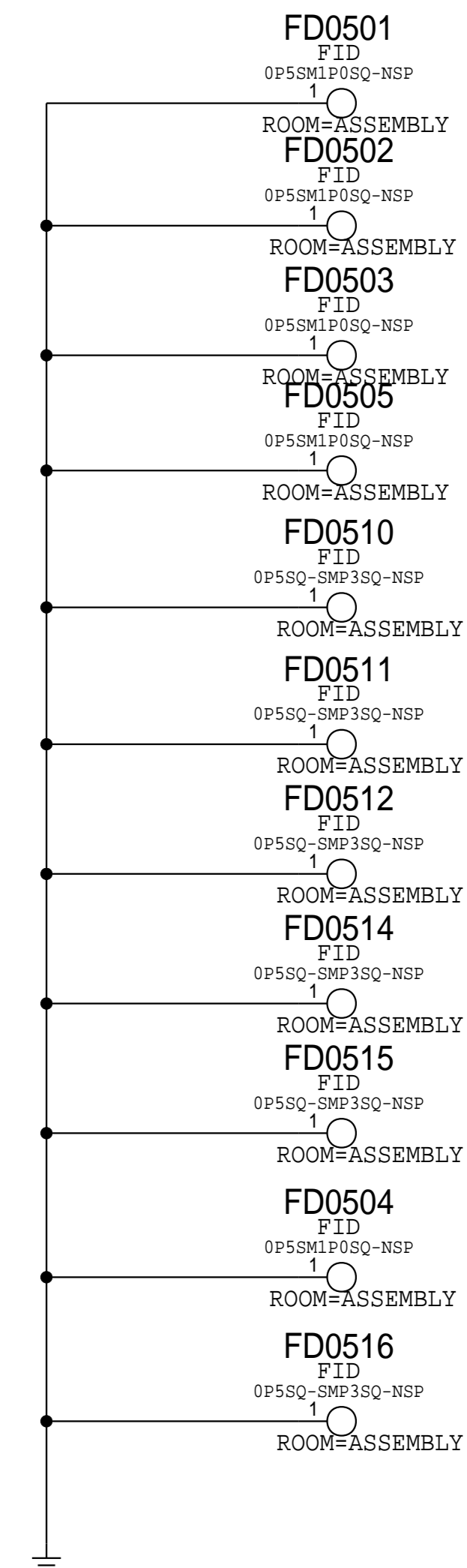
**BOARD STANDOFFS  
AND AC COUPLING CAPS FOR  
COMPASS RETURN CURRENTS**



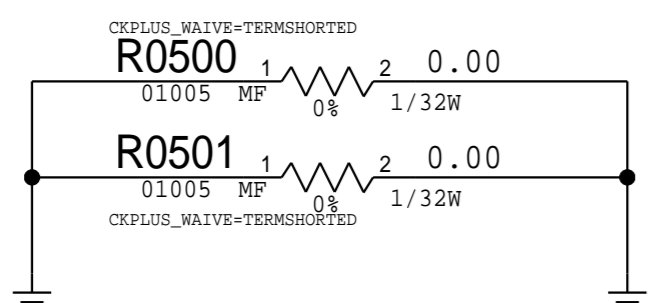
**SHIELDS**



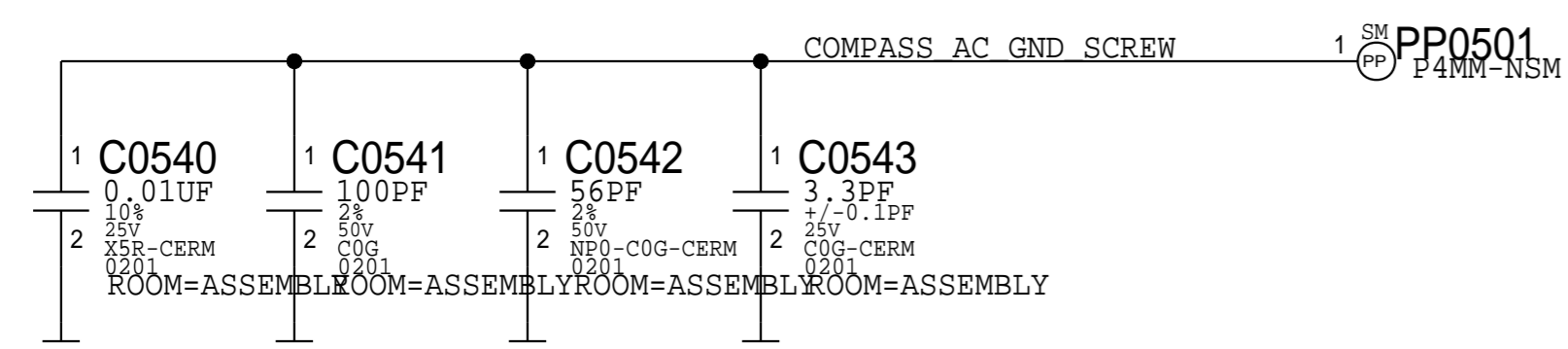
**FIDUCIALS**



**NORTH WIFI UNDERFILL BLOCKING**



**COMPASS AC GROUNDING CAPS**

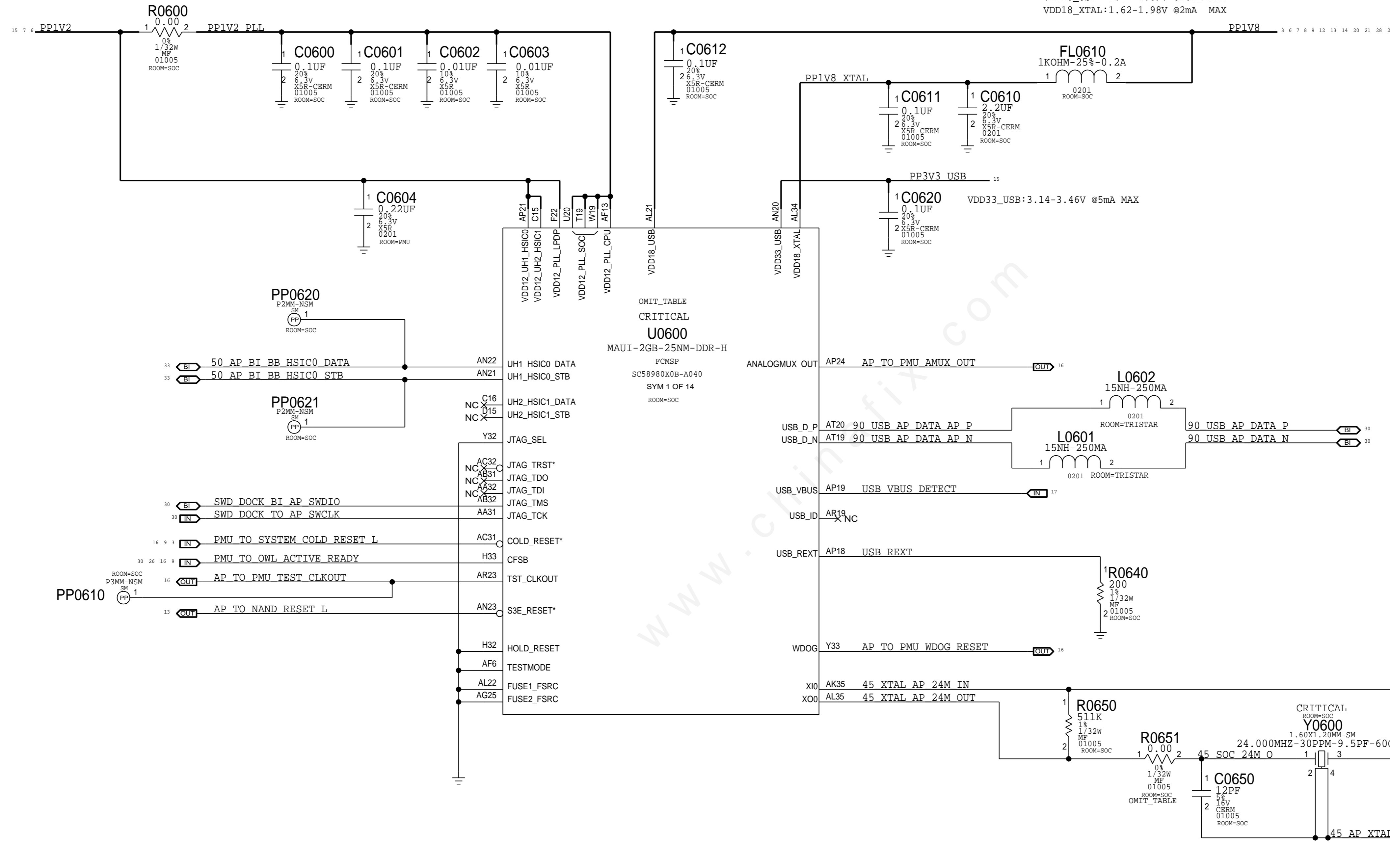


SYNC_MASTER=N/A		SYNC_DATE=N/A	
PAGE TITLE			
<b>SYSTEM:MECHANICAL</b>			
	DRAWING NUMBER	051-00648	SIZE
	REVISION	4.0.0	D
NOTICE OF PROPRIETARY PROPERTY: THE INFORMATION CONTAINED HEREIN IS THE PROPRIETARY PROPERTY OF APPLE INC. THE POSSESSOR AGREES TO THE FOLLOWING: I TO MAINTAIN THIS DOCUMENT IN CONFIDENCE II NOT TO REPRODUCE OR COPY IT III NOT TO REVEAL OR PUBLISH IT IN WHOLE OR PART IV ALL RIGHTS RESERVED		BRANCH	
		PAGE	5 OF 49
		SHEET	4 OF 60

# SOC - USB, JTAG, XTAL

VDD12\_PLL\_LPDP: 1.14-1.26V @2mA MAX  
 VDD12\_PLL\_SOC: 1.14-1.26V @12mA MAX  
 VDD12\_PLL\_CPU: 1.14-1.26V @2mA MAX

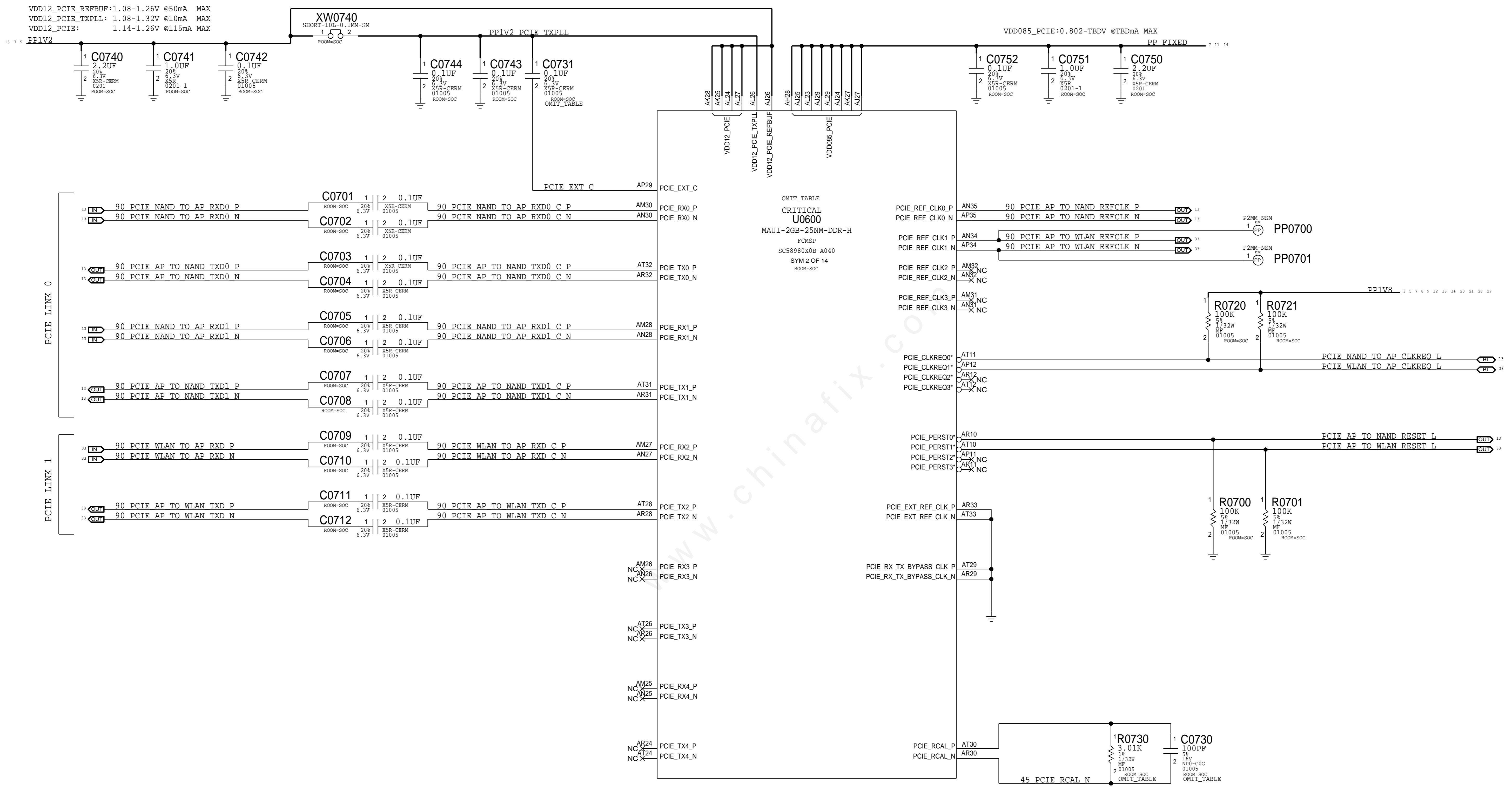
VDD18\_USB: 1.71-1.89V @20mA MAX  
 VDD18\_XTAL: 1.62-1.98V @2mA MAX



SYNC_MASTER=N/A		SYNC_DATE=N/A	
PAGE TITLE			
<b>SOC : JTAG , USB , XTAL</b>			
	DRAWING NUMBER	051-00648	SIZE
	REVISION	4.0.0	D
NOTICE OF PROPRIETARY PROPERTY: THE INFORMATION CONTAINED HEREIN IS THE PROPRIETARY PROPERTY OF APPLE INC. THE POSSESSOR AGREES TO THE FOLLOWING: I TO MAINTAIN THIS DOCUMENT IN CONFIDENCE II NOT TO REPRODUCE OR COPY IT III NOT TO REVEAL OR PUBLISH IT IN WHOLE OR PART IV ALL RIGHTS RESERVED		BRANCH	
		PAGE	6 OF 49
		SHEET	5 OF 60



# SOC - PCIE INTERFACES



SYNC_MASTER=N/A		SYNC_DATE=N/A	
PAGE TITLE			
<b>SOC:PCIE</b>			
	DRAWING NUMBER	051-00648	SIZE
	REVISION	4.0.0	D
NOTICE OF PROPRIETARY PROPERTY: THE INFORMATION CONTAINED HEREIN IS THE PROPRIETARY PROPERTY OF APPLE INC. THE POSSESSOR AGREES TO THE FOLLOWING: I TO MAINTAIN THIS DOCUMENT IN CONFIDENCE II NOT TO REPRODUCE OR COPY IT III NOT TO REVEAL OR PUBLISH IT IN WHOLE OR PART IV ALL RIGHTS RESERVED		BRANCH	
		PAGE	7 OF 49
		SHEET	6 OF 60

# SOC - CAMERA & DISPLAY INTERFACES

8

7

6

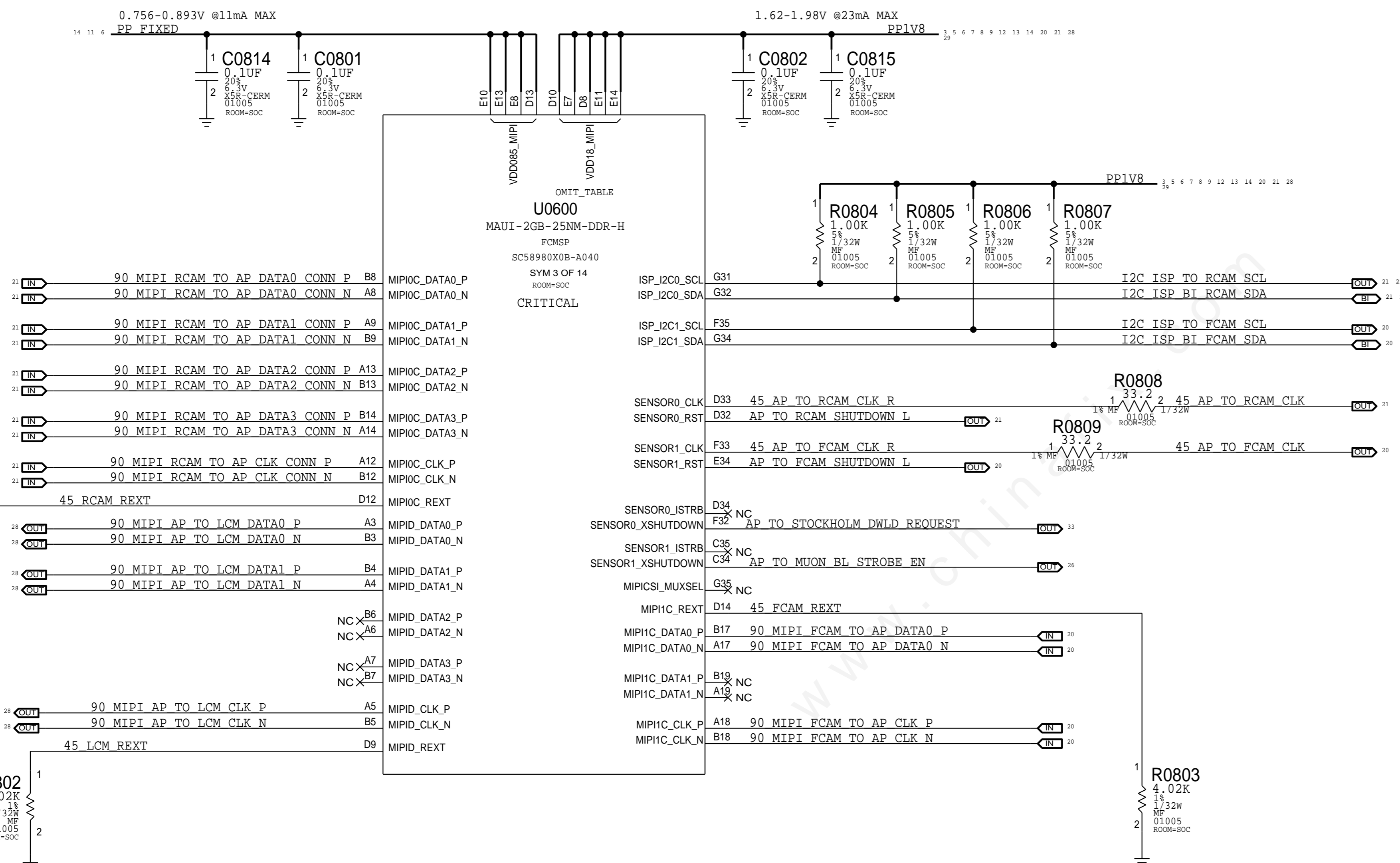
5

4

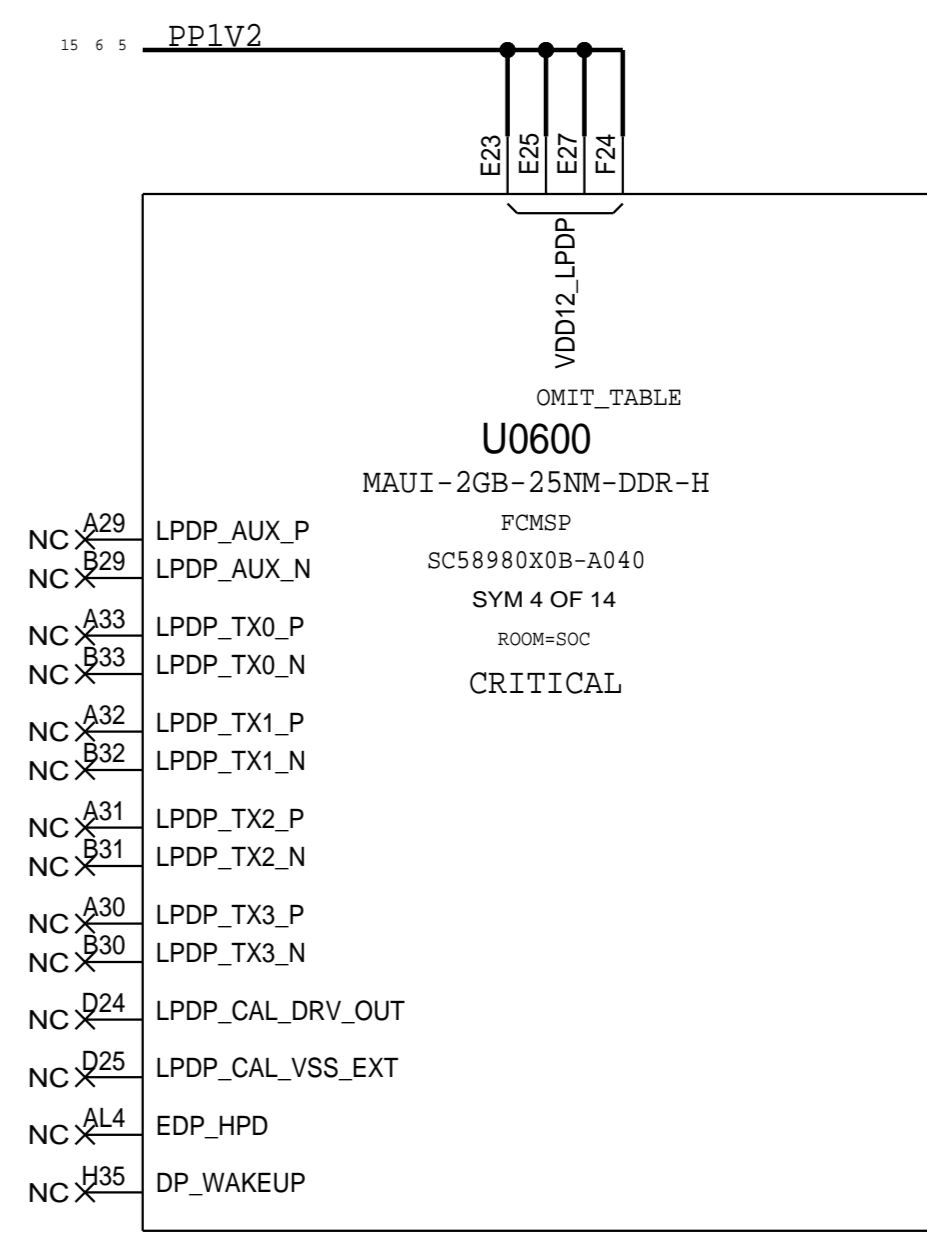
3

2

1



NOTE:VDD12\_LPDP SHOULD BE POWERED  
EVEN WHEN LPDP IS NOT USED



SYNC_MASTER=N/A		SYNC_DATE=N/A	
PAGE TITLE			
<b>SOC:CAMERA &amp; DISPLAY</b>			
	DRAWING NUMBER	051-00648	SIZE D
	REVISION	4.0.0	
NOTICE OF PROPRIETARY PROPERTY: THE INFORMATION CONTAINED HEREIN IS THE PROPRIETARY PROPERTY OF APPLE INC. THE POSSESSOR AGREES TO THE FOLLOWING: I TO MAINTAIN THIS DOCUMENT IN CONFIDENCE II NOT TO REPRODUCE OR COPY IT III NOT TO REVEAL OR PUBLISH IT IN WHOLE OR PART IV ALL RIGHTS RESERVED		BRANCH	
		PAGE	8 OF 49
		SHEET	7 OF 60

8

7

6

5

4

3

2

1



# SOC - GPIO & SERIAL INTERFACES

D

C

B

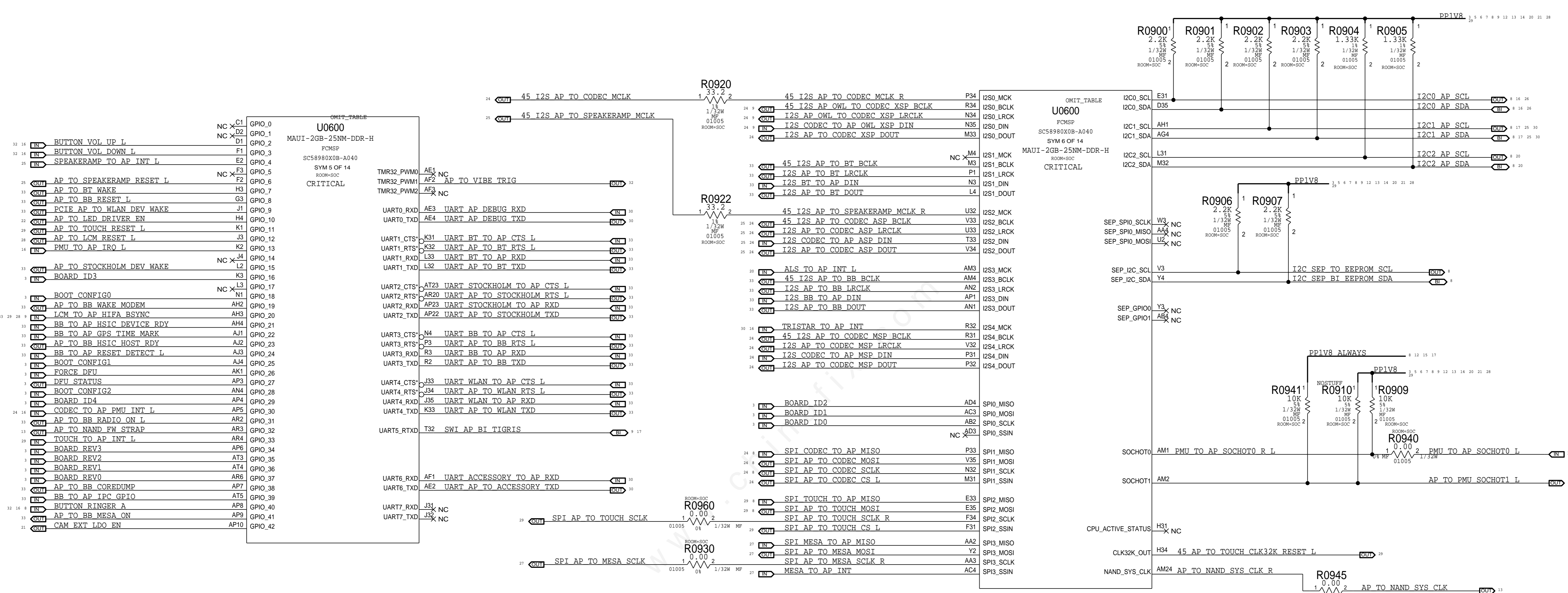
A

D

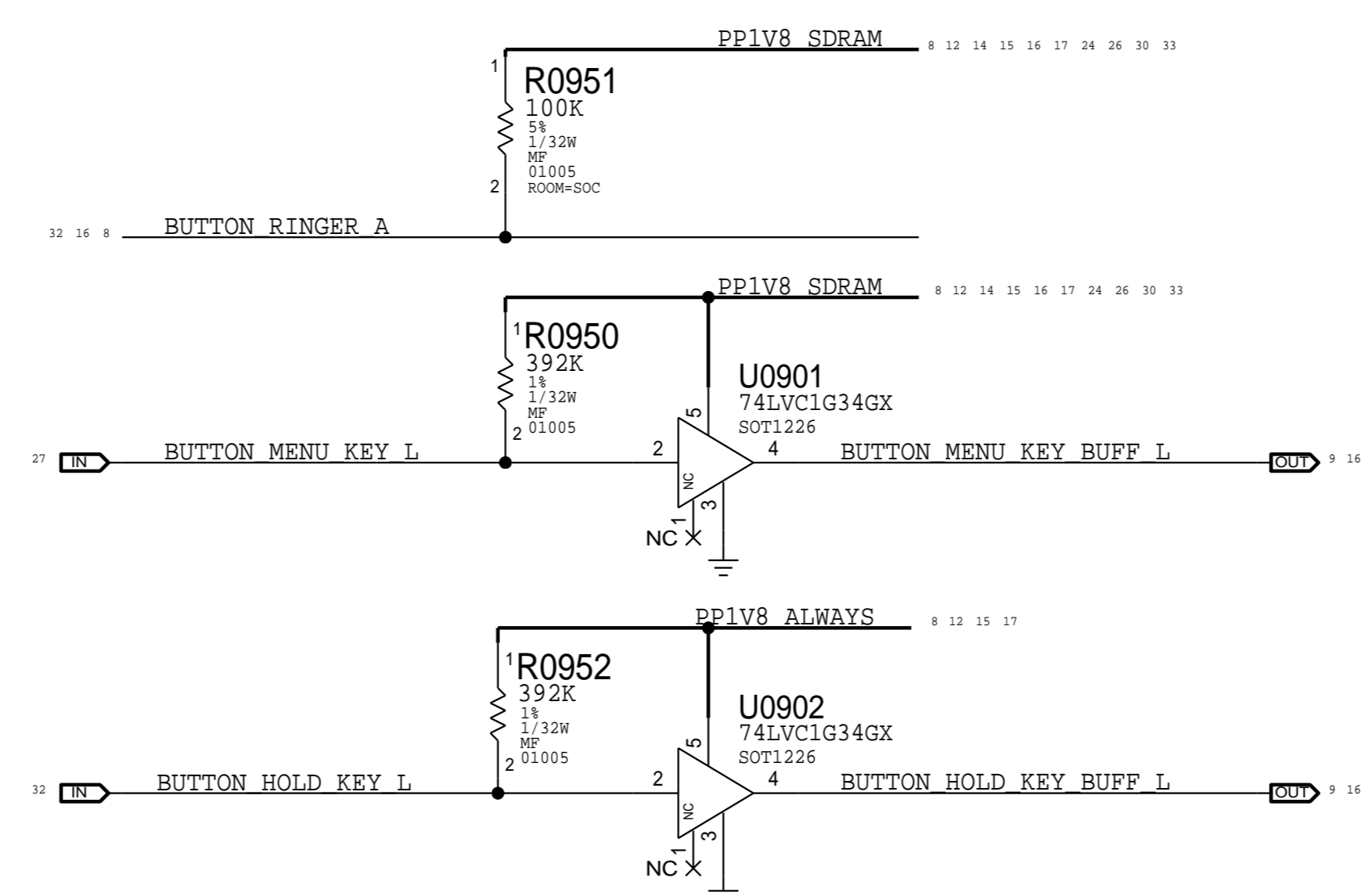
C

B

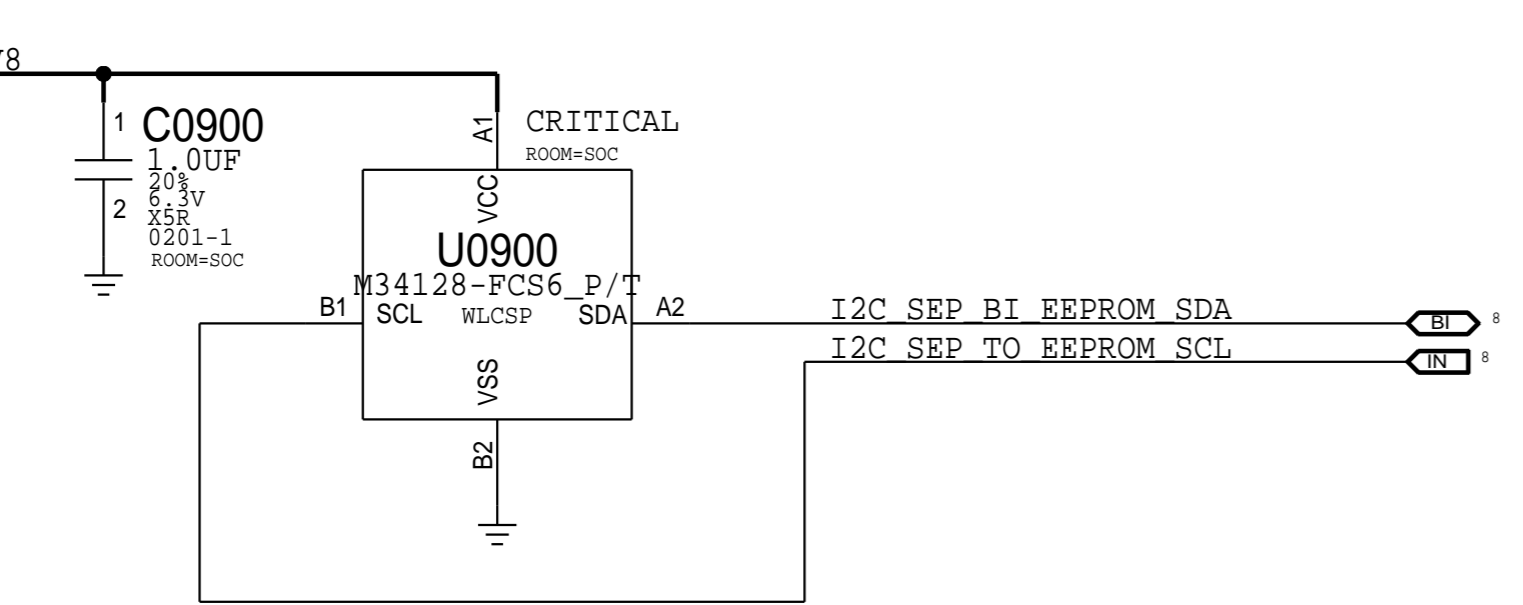
A



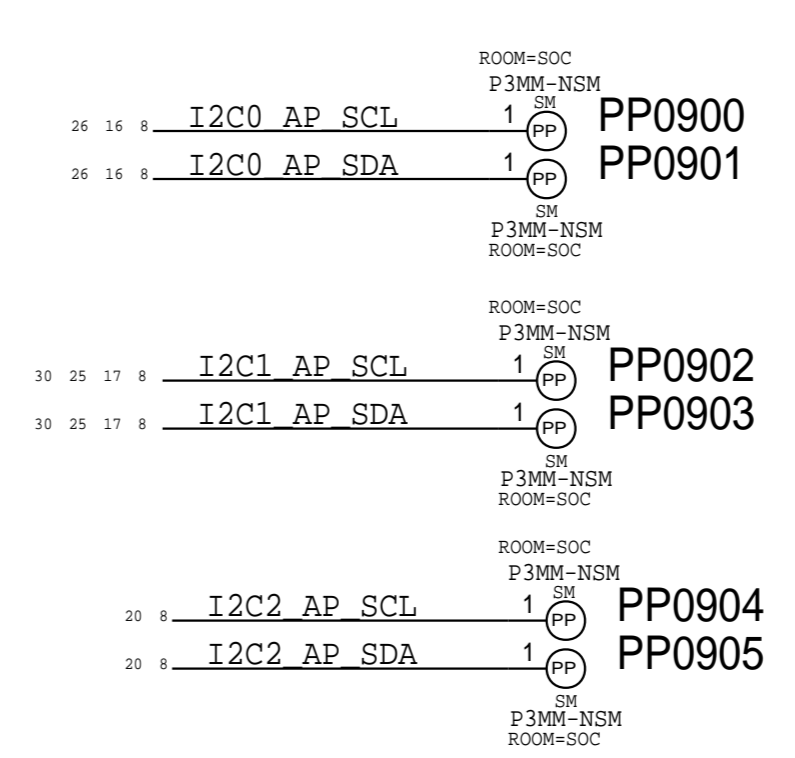
## BUTTON PULL-UP RESISTORS AND BUFFERS



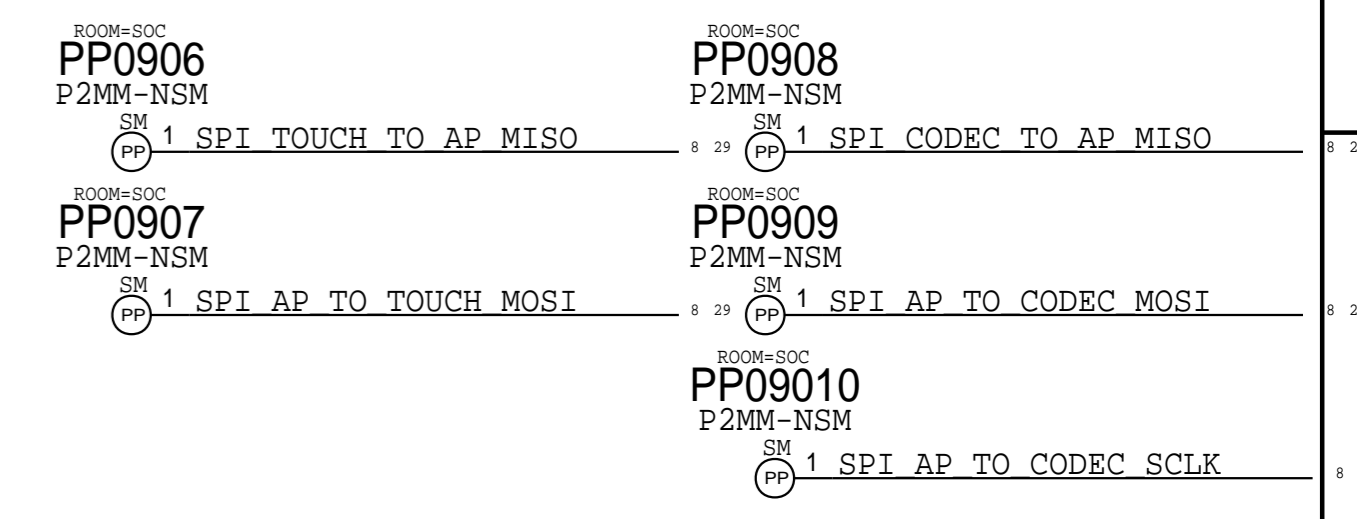
## ANTI-ROLLBACK EEPROM 128kbit APN:335S0946



## I2C PROBE POINTS



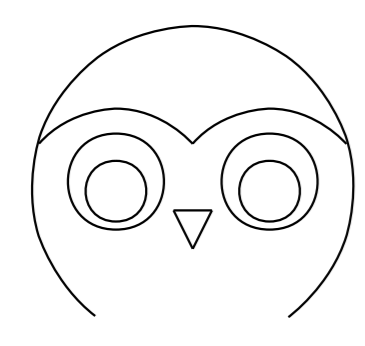
## SPI PROBE POINTS



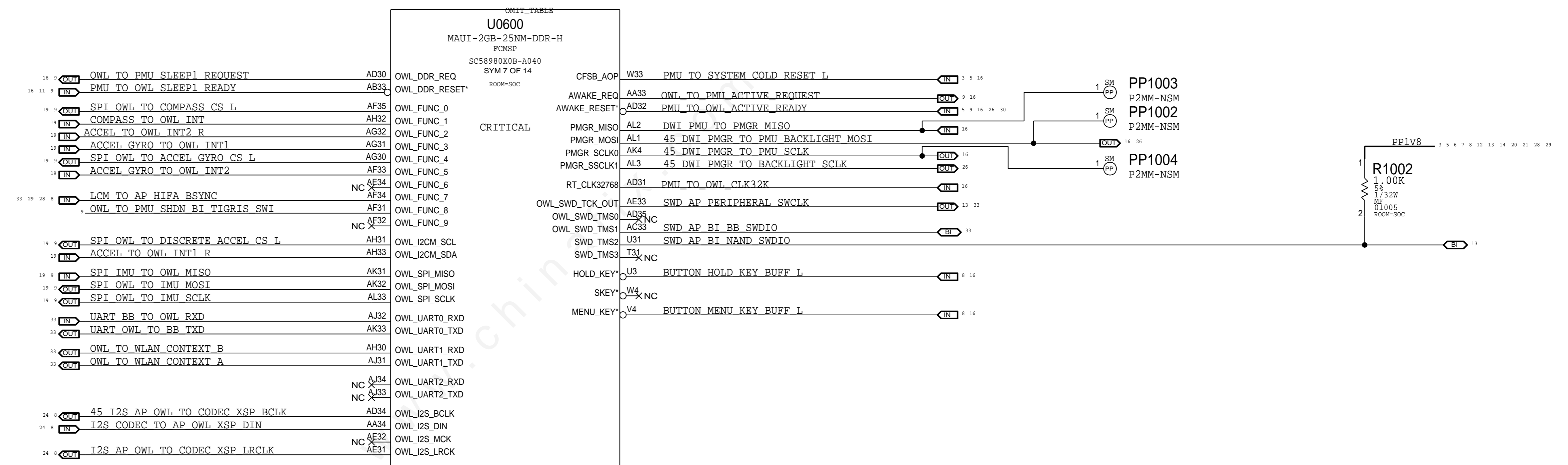
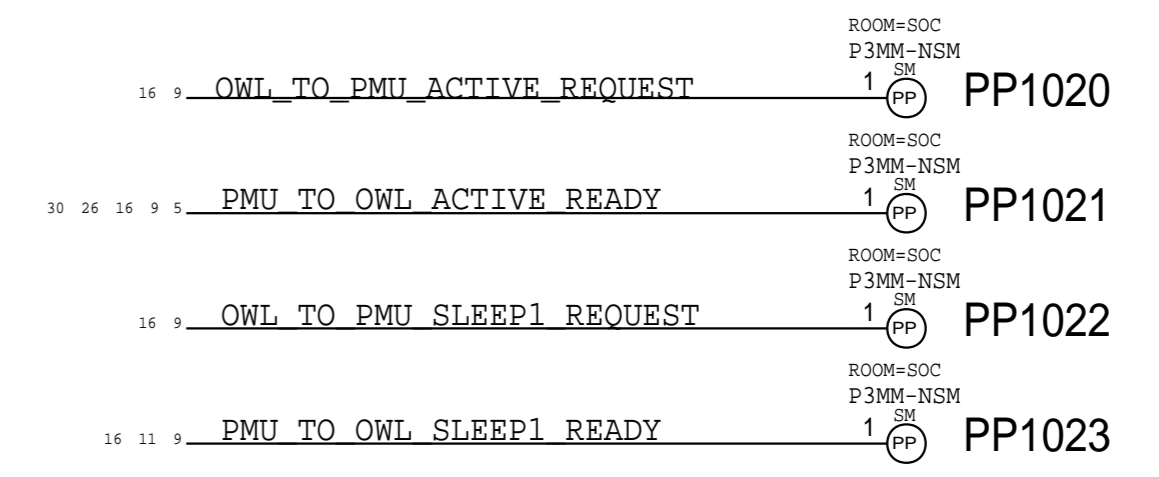
SYNC_MASTER=N/A		SYNC_DATE=N/A	
PAGE TITLE			
<b>SOC:SERIAL &amp; GPIO</b>			
		DRAWING NUMBER	SIZE
		051-00648	D
		REVISION	4.0.0
		BRANCH	
		PAGE	9 OF 49
		SHEET	8 OF 60
NOTICE OF PROPRIETARY PROPERTY: THE INFORMATION CONTAINED HEREIN IS THE PROPRIETARY PROPERTY OF APPLE INC. THE POSSESSOR AGREES TO THE FOLLOWING: I TO MAINTAIN THIS DOCUMENT IN CONFIDENCE II NOT TO REPRODUCE OR COPY IT III NOT TO REVEAL OR PUBLISH IT IN WHOLE OR PART IV ALL RIGHTS RESERVED			



# SOC - OWL

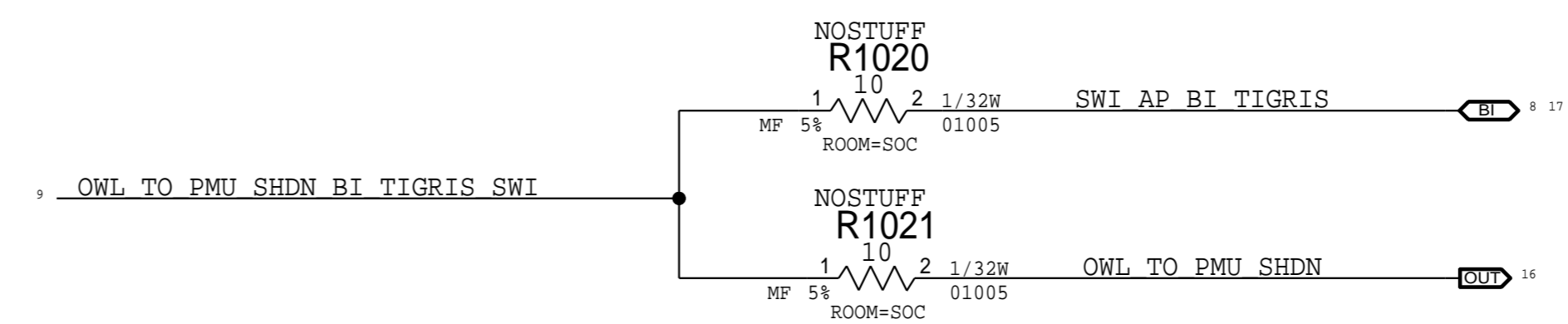


## POWER STATE CONTROL PROBE POINTS



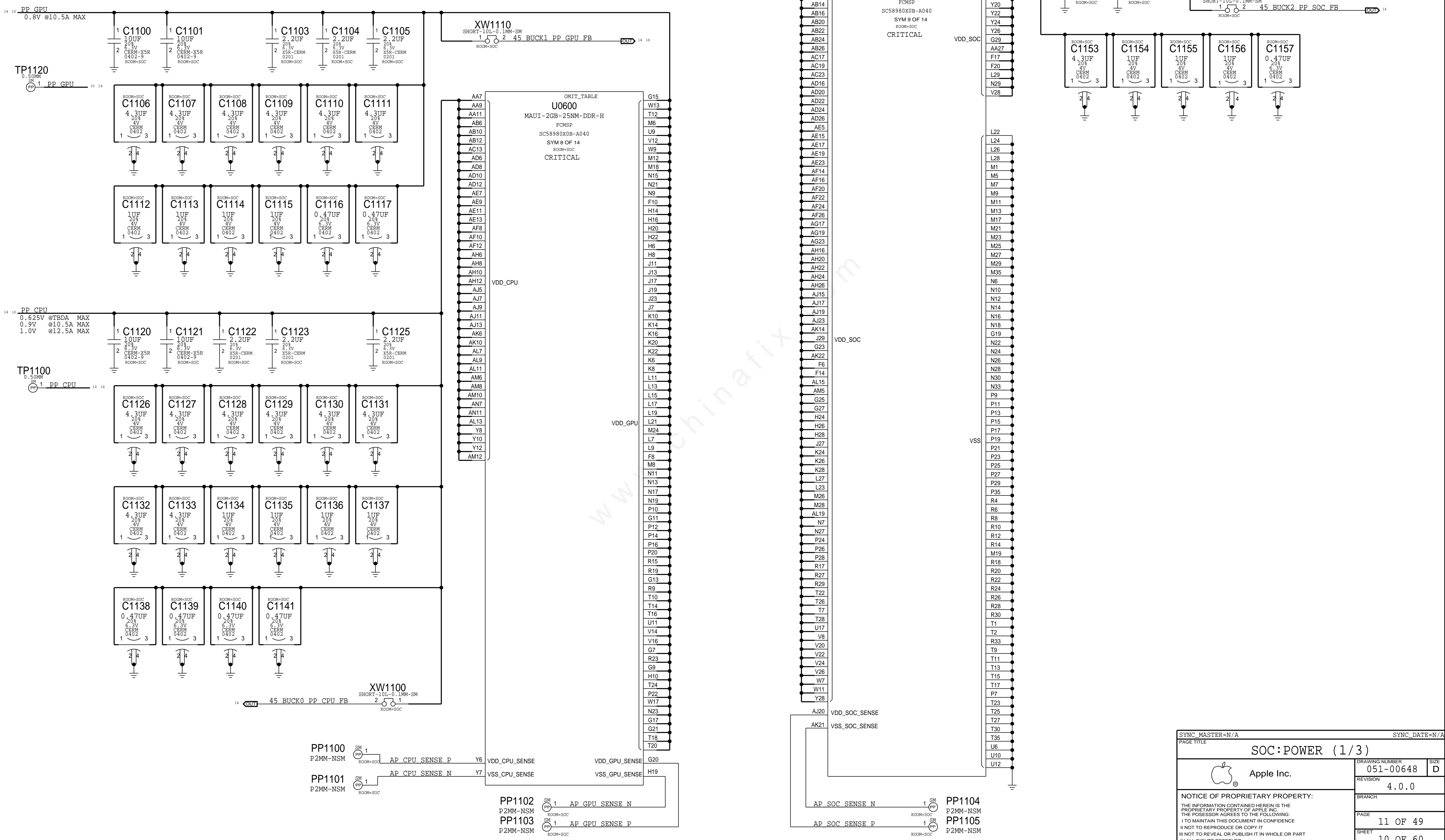
- PP1005 P2MM-NSM 1 SPI OWL TO IMU MOSI 9 19
- PP1006 P2MM-NSM 1 SPI IMU TO OWL MISO 9 19
- PP1007 P2MM-NSM 1 SPI OWL TO IMU SCLK 9 19
- PP1008 P2MM-NSM 1 SPI OWL TO DISCRETE ACCEL CS L 9 19
- PP1009 P2MM-NSM 1 SPI OWL TO ACCEL GYRO CS L 9 19
- PP1010 P2MM-NSM 1 SPI OWL TO COMPASS CS L 9 19

## OWL SYSTEM SHUTDOWN OPTION



SYNC_MASTER=N/A		SYNC_DATE=N/A	
PAGE TITLE <b>SOC:OWL</b>			
		DRAWING NUMBER	SIZE
		051-00648	D
NOTICE OF PROPRIETARY PROPERTY: THE INFORMATION CONTAINED HEREIN IS THE PROPRIETARY PROPERTY OF APPLE INC. THE POSSESSOR AGREES TO THE FOLLOWING: I TO MAINTAIN THIS DOCUMENT IN CONFIDENCE II NOT TO REPRODUCE OR COPY IT III NOT TO REVEAL OR PUBLISH IT IN WHOLE OR PART IV ALL RIGHTS RESERVED		REVISION	4.0.0
		BRANCH	
		PAGE	10 OF 49
		SHEET	9 OF 60

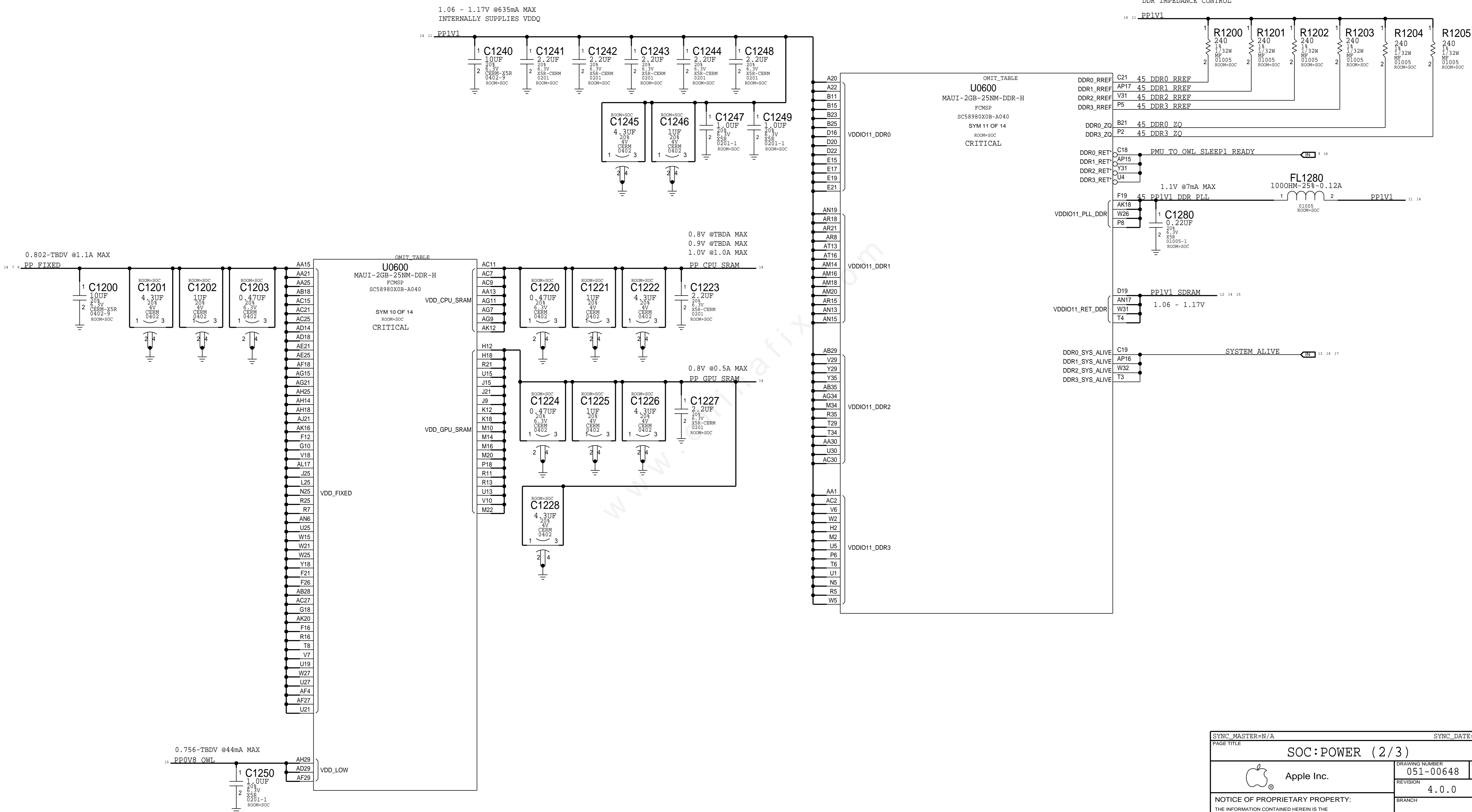
# SOC - CPU, GPU & SOC RAILS



SYNC_MASTER=N/A		SYNC_DATE=N/A	
PAGE TITLE			
<b>SOC:POWER (1/3)</b>			
		DRAWING NUMBER	SIZE
		051-00648	D
NOTICE OF PROPRIETARY PROPERTY: THE INFORMATION CONTAINED HEREIN IS THE PROPRIETARY PROPERTY OF APPLE INC. THE POSSESSOR AGREES TO THE FOLLOWING: I TO MAINTAIN THIS DOCUMENT IN CONFIDENCE II NOT TO REPRODUCE OR COPY IT III NOT TO REVEAL OR PUBLISH IT IN WHOLE OR PART IV ALL RIGHTS RESERVED		REVISION	4.0.0
		BRANCH	
		PAGE	11 OF 49
		SHEET	10 OF 60

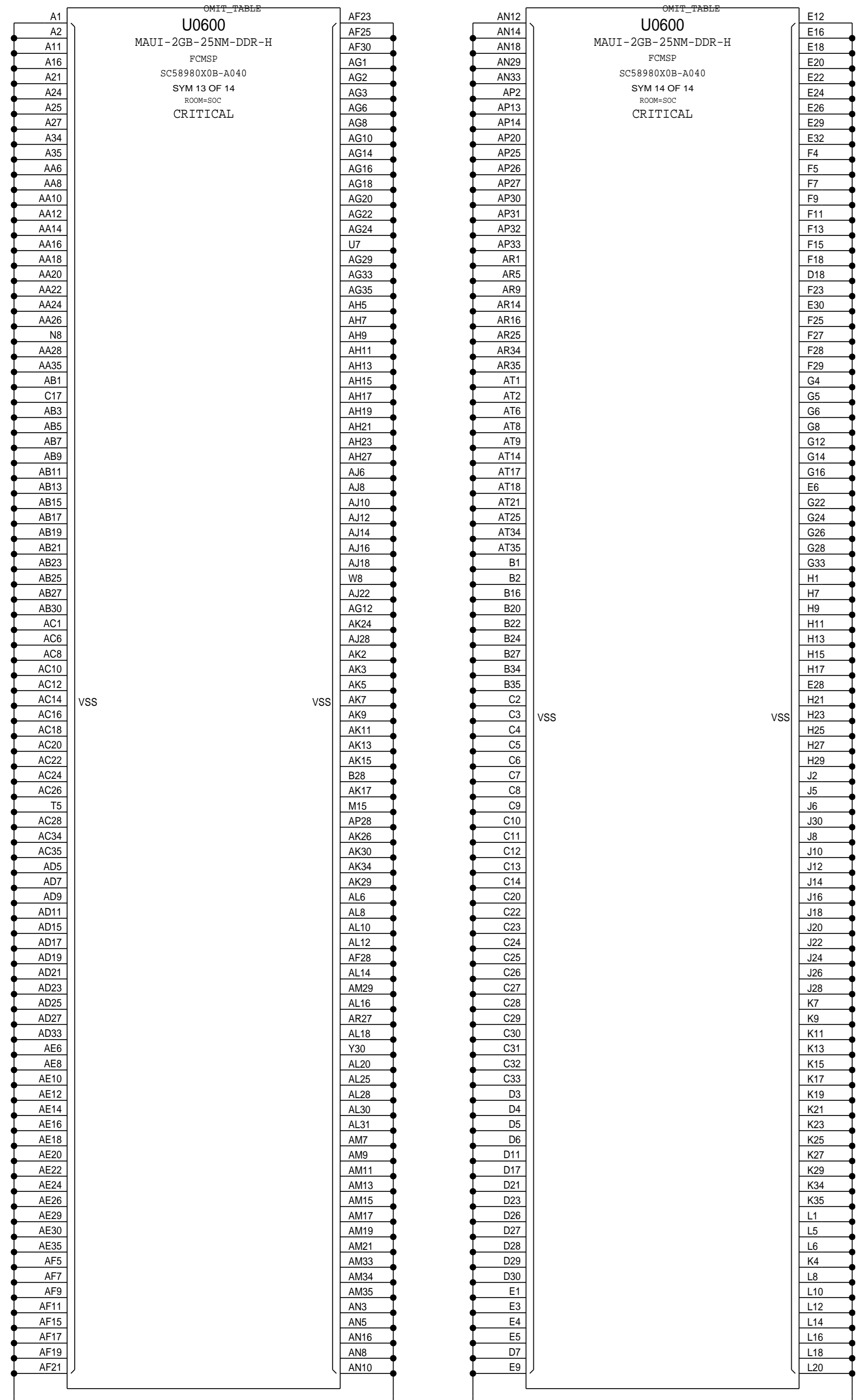
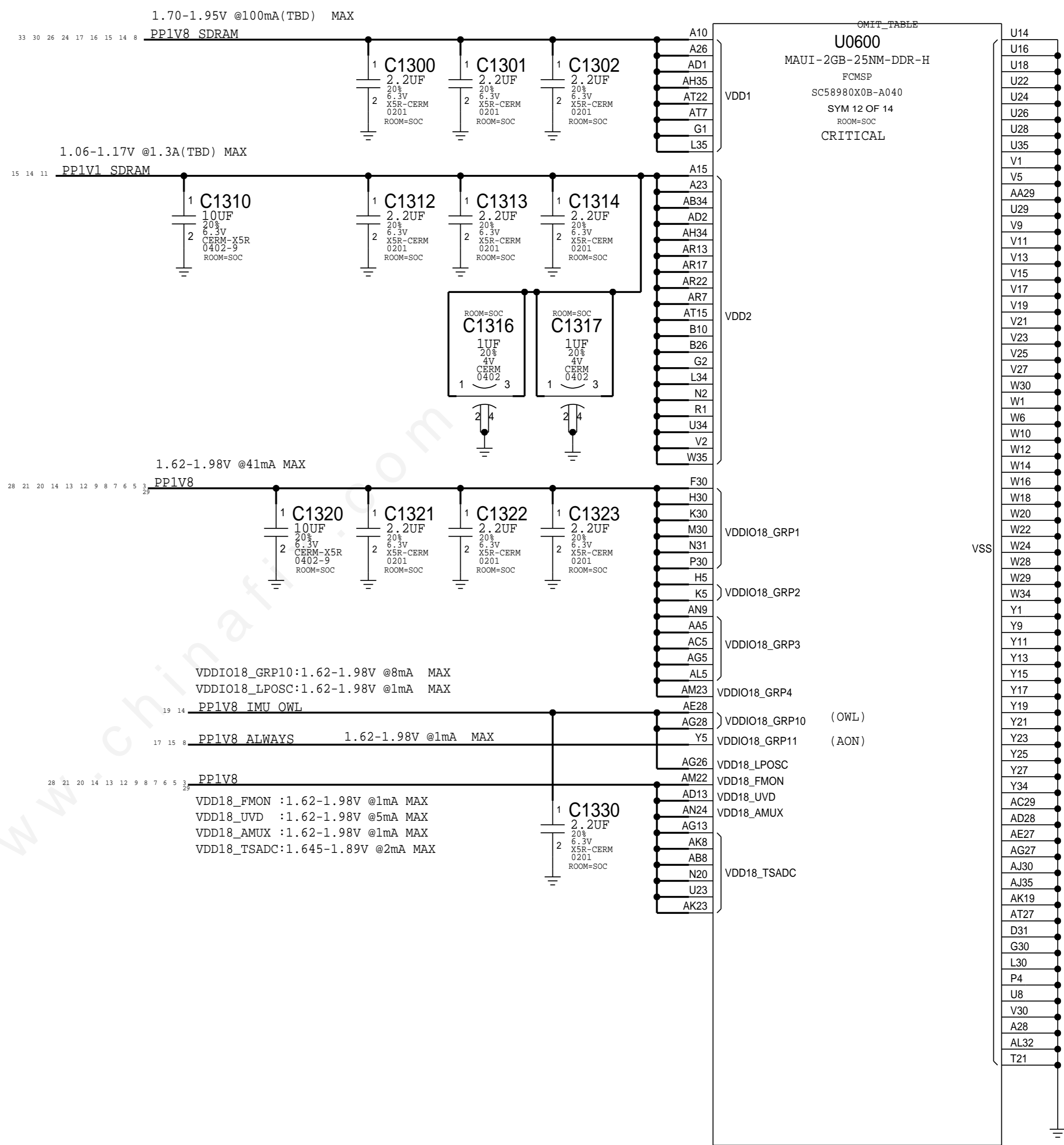


# SOC - POWER SUPPLIES



SYNC_MASTER=N/A		SYNC_DATE=N/A	
PAGE TITLE			
<b>SOC:POWER (2/3)</b>			
	DRAWING NUMBER	051-00648	SIZE
	REVISION	4.0.0	D
NOTICE OF PROPRIETARY PROPERTY: THE INFORMATION CONTAINED HEREIN IS THE PROPRIETARY PROPERTY OF APPLE INC. THE POSSESSOR AGREES TO THE FOLLOWING: I TO MAINTAIN THIS DOCUMENT IN CONFIDENCE II NOT TO REPRODUCE OR COPY IT III NOT TO REVEAL OR PUBLISH IT IN WHOLE OR PART IV ALL RIGHTS RESERVED		BRANCH	
		PAGE	12 OF 49
		SHEET	11 OF 60

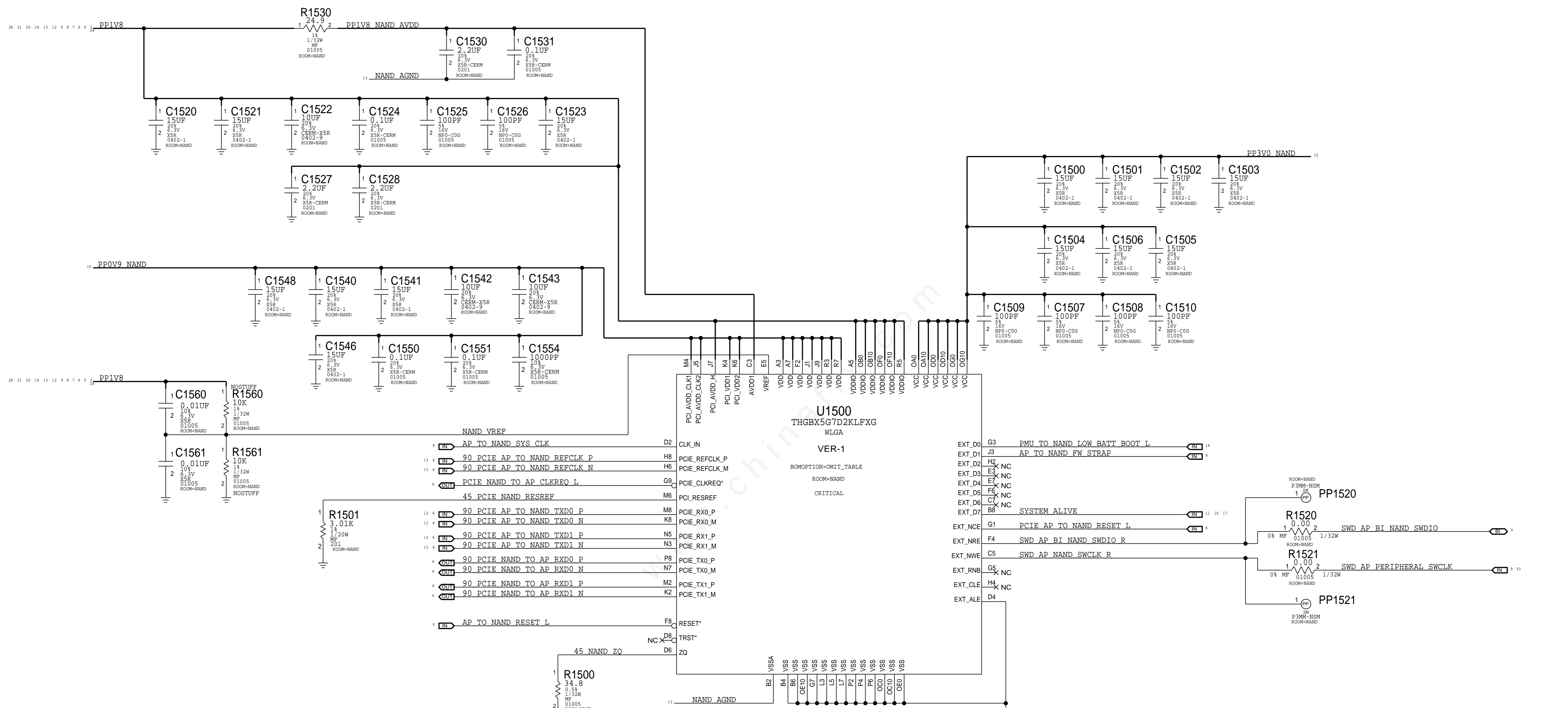
# SOC - POWER SUPPLIES



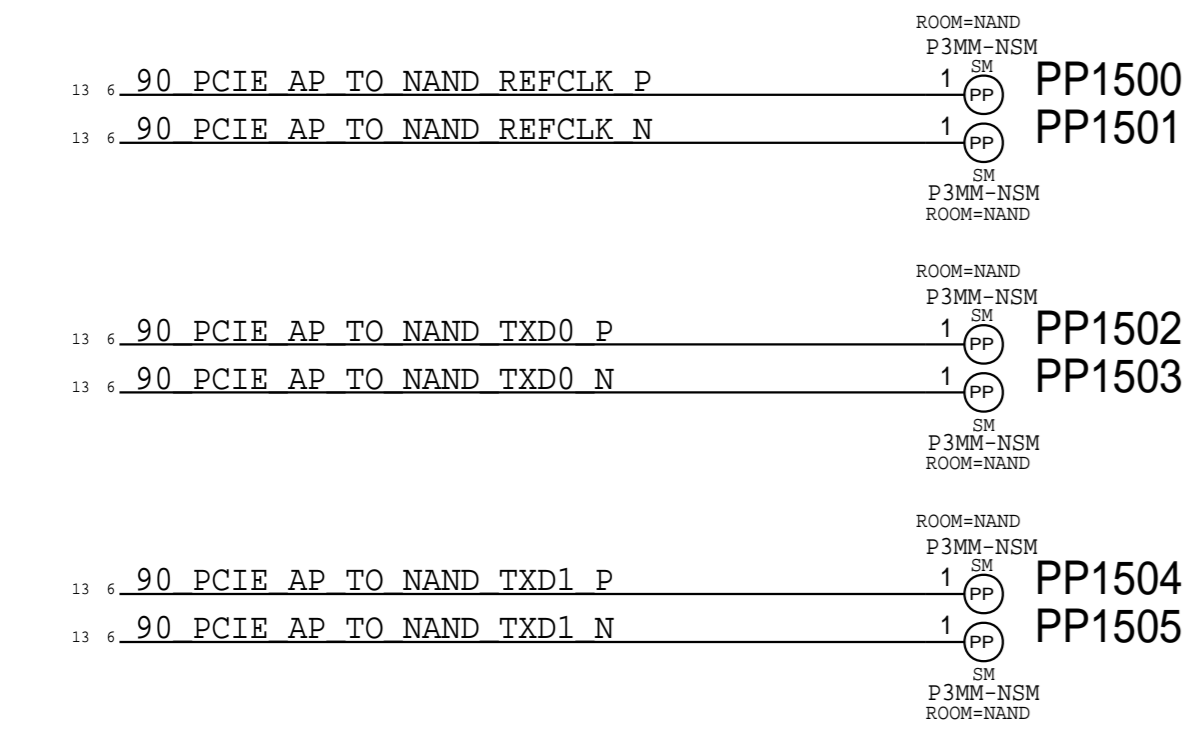
SYNC_MASTER=N/A		SYNC_DATE=N/A	
PAGE TITLE			
<b>SOC:POWER (3/3)</b>			
	DRAWING NUMBER	051-00648	SIZE
	REVISION	4.0.0	D
NOTICE OF PROPRIETARY PROPERTY: THE INFORMATION CONTAINED HEREIN IS THE PROPRIETARY PROPERTY OF APPLE INC. THE POSSESSOR AGREES TO THE FOLLOWING: I TO MAINTAIN THIS DOCUMENT IN CONFIDENCE II NOT TO REPRODUCE OR COPY IT III NOT TO REVEAL OR PUBLISH IT IN WHOLE OR PART IV ALL RIGHTS RESERVED		BRANCH	
		PAGE	13 OF 49
		SHEET	12 OF 60



# S3E NAND

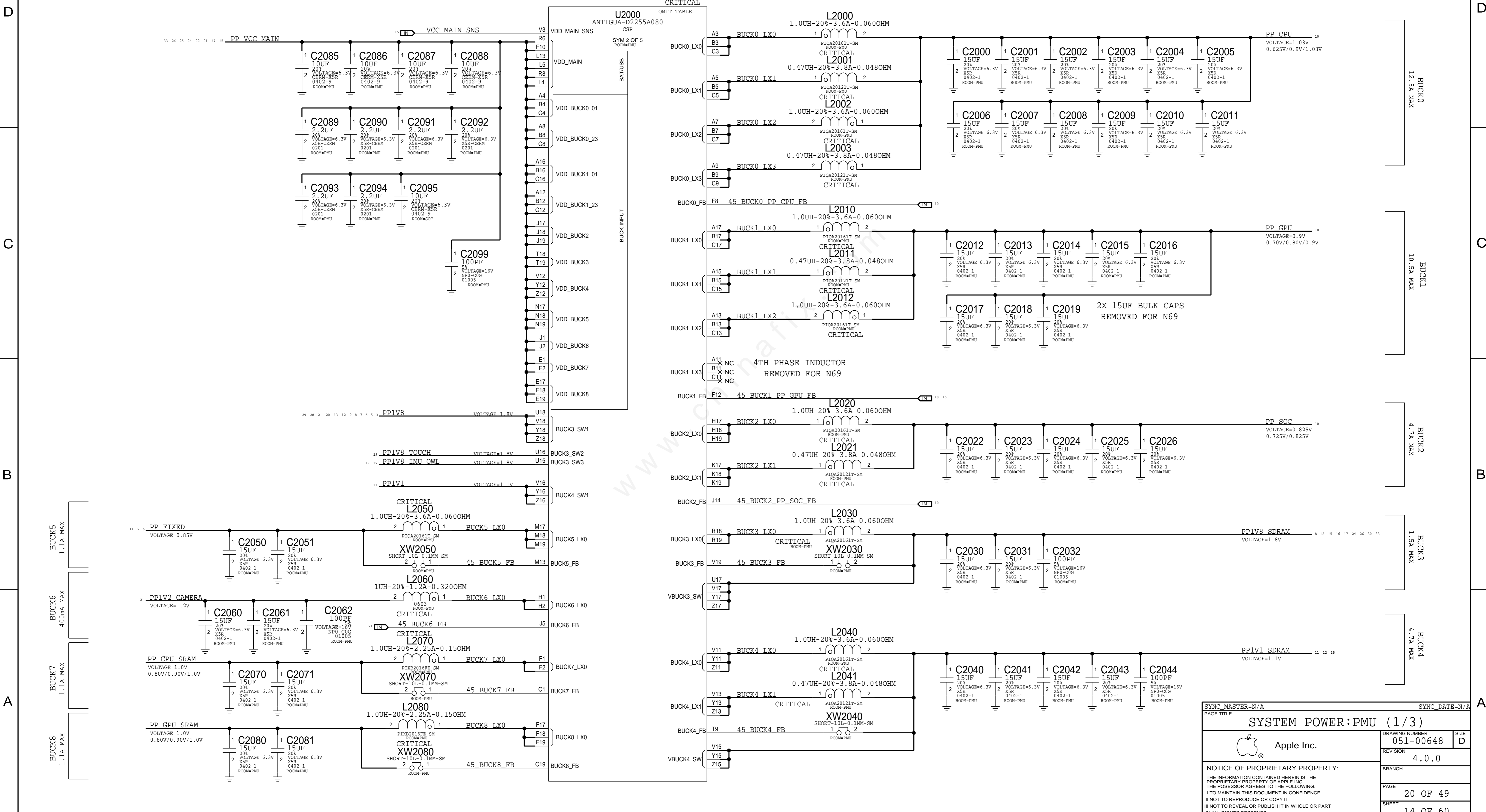
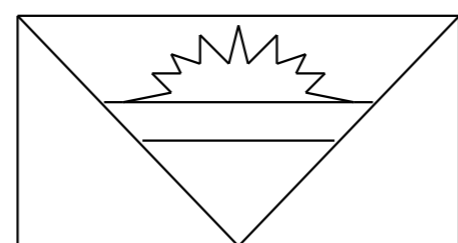


## PCIE RECEIVE-SIDE PROBE POINTS



SYNC_MASTER=N/A		SYNC_DATE=N/A	
PAGE TITLE			
<b>NAND</b>			
		DRAWING NUMBER	051-00648
		REVISION	4.0.0
NOTICE OF PROPRIETARY PROPERTY: THE INFORMATION CONTAINED HEREIN IS THE PROPRIETARY PROPERTY OF APPLE INC. THE POSSESSOR AGREES TO THE FOLLOWING: I TO MAINTAIN THIS DOCUMENT IN CONFIDENCE II NOT TO REPRODUCE OR COPY IT III NOT TO REVEAL OR PUBLISH IT IN WHOLE OR PART IV ALL RIGHTS RESERVED		BRANCH	
		PAGE	15 OF 49
		SHEET	13 OF 60

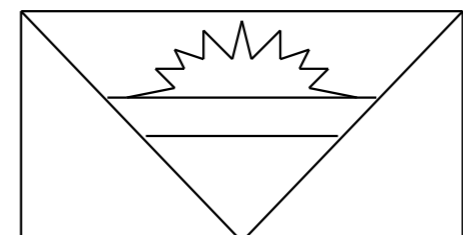
# ANTIGUA PMU - Buck Supplies



SYNC_MASTER=N/A		SYNC_DATE=N/A	
PAGE TITLE			
<b>SYSTEM POWER: PMU (1/3)</b>			
Apple Inc.		DRAWING NUMBER	SIZE
		051-00648	D
		REVISION	
		4.0.0	
		BRANCH	
		PAGE	
		20 OF 49	
		SHEET	
		14 OF 60	
NOTICE OF PROPRIETARY PROPERTY: THE INFORMATION CONTAINED HEREIN IS THE PROPRIETARY PROPERTY OF APPLE INC. THE POSSESSOR AGREES TO THE FOLLOWING: I TO MAINTAIN THIS DOCUMENT IN CONFIDENCE II NOT TO REPRODUCE OR COPY IT III NOT TO REVEAL OR PUBLISH IT IN WHOLE OR PART IV ALL RIGHTS RESERVED			

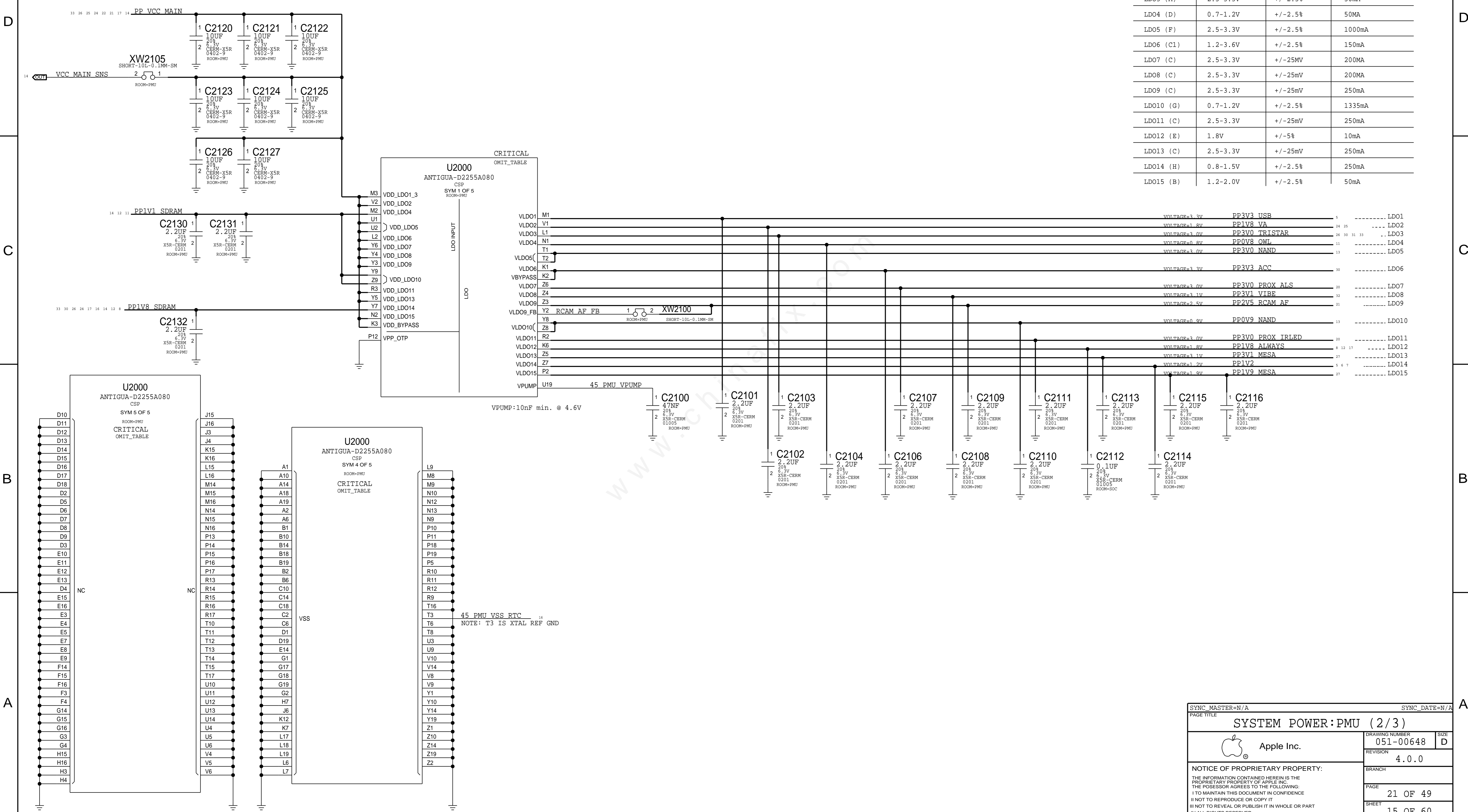


# ANTIGUA PMU - LDOs



## ANTIGUA LDO SPECS

LDO#	ADJ. RANGE	ACCURACY	MAX. CURRENT
LDO1 (A)	2.5-3.3V	+/-2.5%	50mA
LDO2 (B)	1.2-1.9V	+/-2.5%	50mA
LDO3 (A)	2.5-3.3V	+/-2.5%	50mA
LDO4 (D)	0.7-1.2V	+/-2.5%	50mA
LDO5 (F)	2.5-3.3V	+/-2.5%	1000mA
LDO6 (C1)	1.2-3.6V	+/-2.5%	150mA
LDO7 (C)	2.5-3.3V	+/-25mV	200mA
LDO8 (C)	2.5-3.3V	+/-25mV	200mA
LDO9 (C)	2.5-3.3V	+/-25mV	250mA
LDO10 (G)	0.7-1.2V	+/-2.5%	1335mA
LDO11 (C)	2.5-3.3V	+/-25mV	250mA
LDO12 (E)	1.8V	+/-5%	10mA
LDO13 (C)	2.5-3.3V	+/-25mV	250mA
LDO14 (H)	0.8-1.5V	+/-2.5%	250mA
LDO15 (B)	1.2-2.0V	+/-2.5%	50mA



SYNC_MASTER=N/A		SYNC_DATE=N/A	
PAGE TITLE			
<b>SYSTEM POWER: PMU (2/3)</b>			
 Apple Inc.	DRAWING NUMBER	051-00648	SIZE
	REVISION	4.0.0	
BRANCH			
PAGE		21 OF 49	
SHEET		15 OF 60	
NOTICE OF PROPRIETARY PROPERTY: THE INFORMATION CONTAINED HEREIN IS THE PROPRIETARY PROPERTY OF APPLE INC. THE POSSESSOR AGREES TO THE FOLLOWING: I TO MAINTAIN THIS DOCUMENT IN CONFIDENCE II NOT TO REPRODUCE OR COPY IT III NOT TO REVEAL OR PUBLISH IT IN WHOLE OR PART IV ALL RIGHTS RESERVED			

# ANTIGUA PMU - GPIOs, NTCs

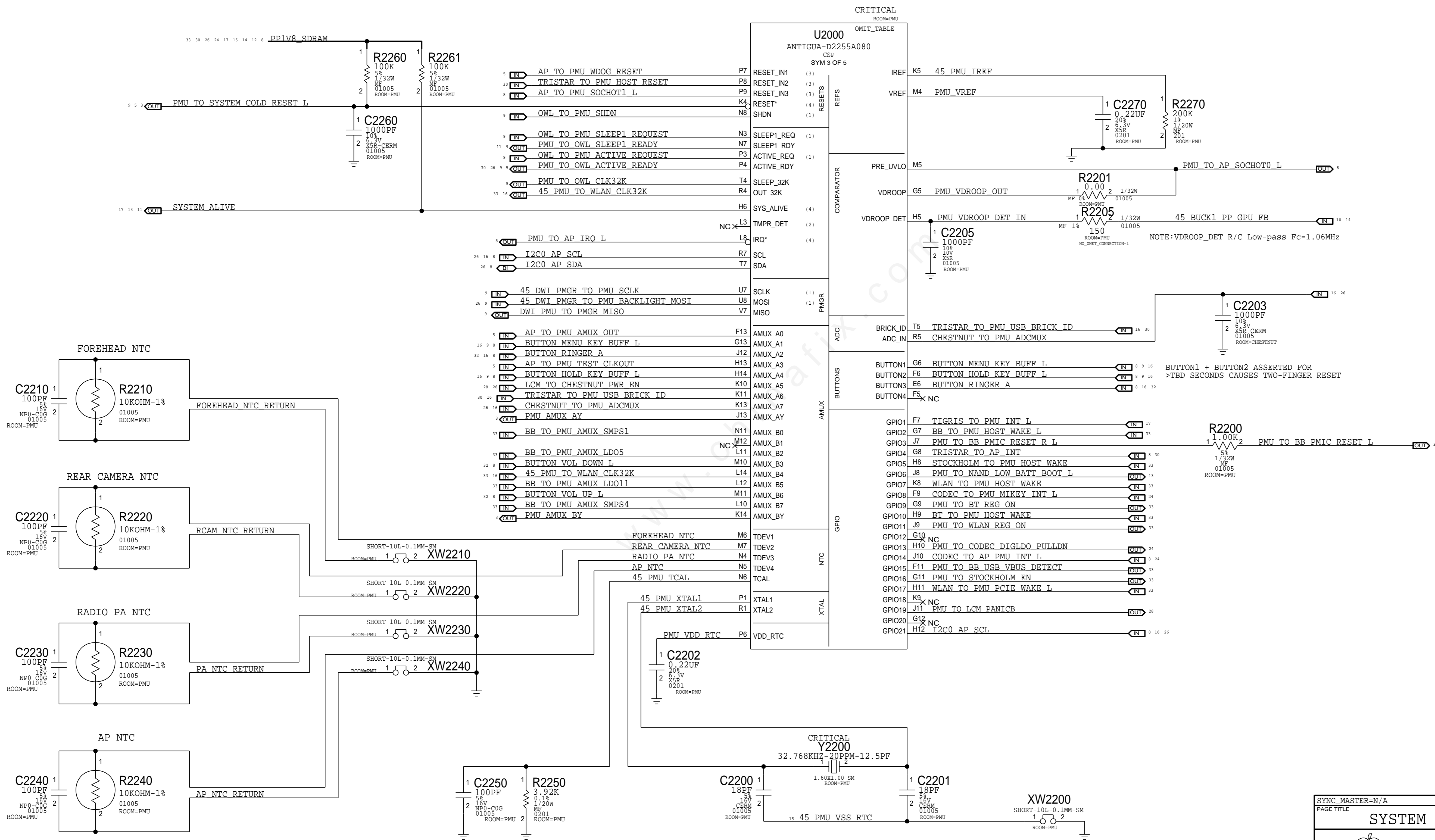
CONTROL PIN NOTES:

NOTE (1): INPUT PULL-DOWN 100-300k

NOTE (2): INPUT PULL-DOWN 1M

NOTE (3): INPUT PULL-UP OR DOWN 100k-300k

NOTE (4): OUTPUT OPEN-DRAIN, REQUIRES PULL-UP



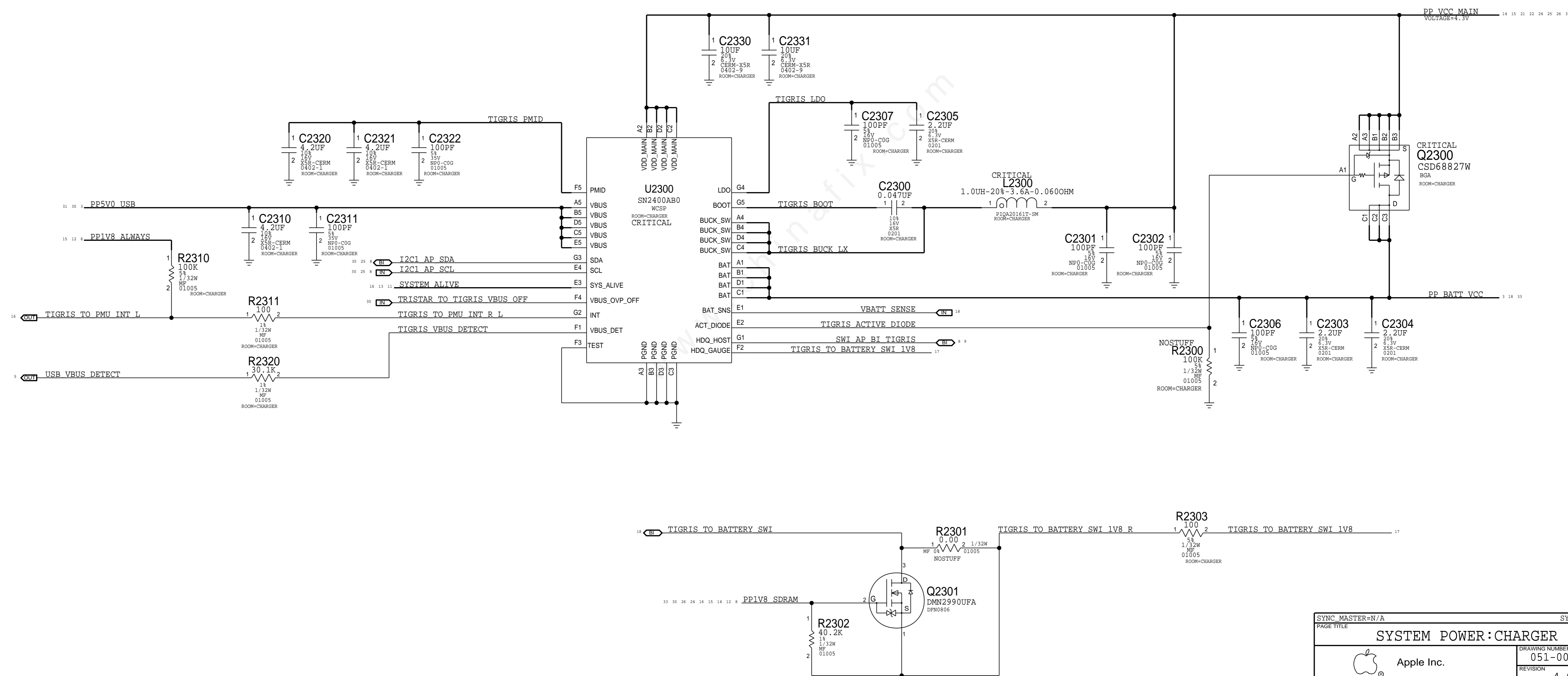
NOTE: 100PF CAPS ARE THE SAMPLING CAPS FOR PMU ADC

SYNC_MASTER=N/A		SYNC_DATE=N/A	
PAGE TITLE			
<b>SYSTEM POWER: PMU (3/3)</b>			
		DRAWING NUMBER	051-00648
		REVISION	4.0.0
NOTICE OF PROPRIETARY PROPERTY: THE INFORMATION CONTAINED HEREIN IS THE PROPRIETARY PROPERTY OF APPLE INC. THE POSSESSOR AGREES TO THE FOLLOWING: I TO MAINTAIN THIS DOCUMENT IN CONFIDENCE II NOT TO REPRODUCE OR COPY IT III NOT TO REVEAL OR PUBLISH IT IN WHOLE OR PART IV ALL RIGHTS RESERVED		BRANCH	
		PAGE	22 OF 49
		SHEET	16 OF 60



# TIGRIS CHARGER

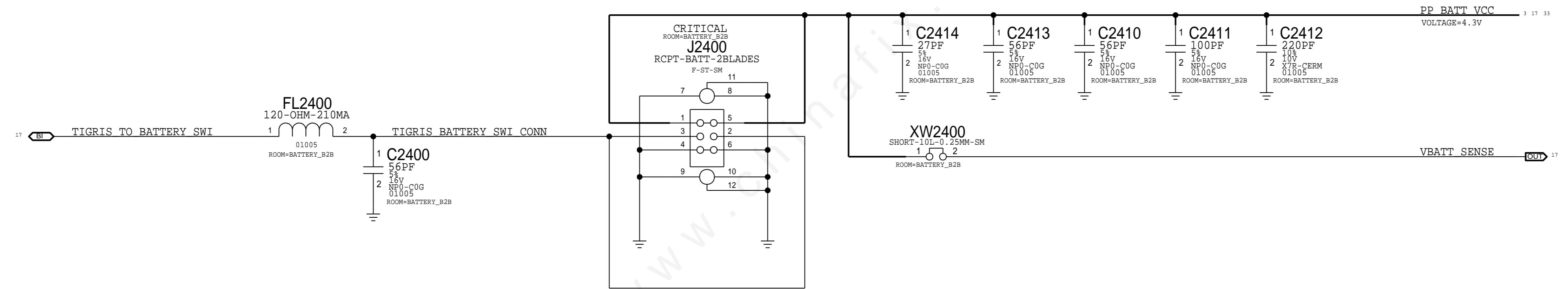
APN: 343S00033



SYNC_MASTER=N/A		SYNC_DATE=N/A	
PAGE TITLE			
<b>SYSTEM POWER: CHARGER</b>			
		DRAWING NUMBER	051-00648
		REVISION	4.0.0
NOTICE OF PROPRIETARY PROPERTY: THE INFORMATION CONTAINED HEREIN IS THE PROPRIETARY PROPERTY OF APPLE INC. THE POSSESSOR AGREES TO THE FOLLOWING: I TO MAINTAIN THIS DOCUMENT IN CONFIDENCE II NOT TO REPRODUCE OR COPY IT III NOT TO REVEAL OR PUBLISH IT IN WHOLE OR PART IV ALL RIGHTS RESERVED		BRANCH	
		PAGE	23 OF 49
		SHEET	17 OF 60

# BATTERY CONNECTOR

THIS ONE ON MLB ----> 516S00104 (RCPT)  
516S00105 (PLUG)

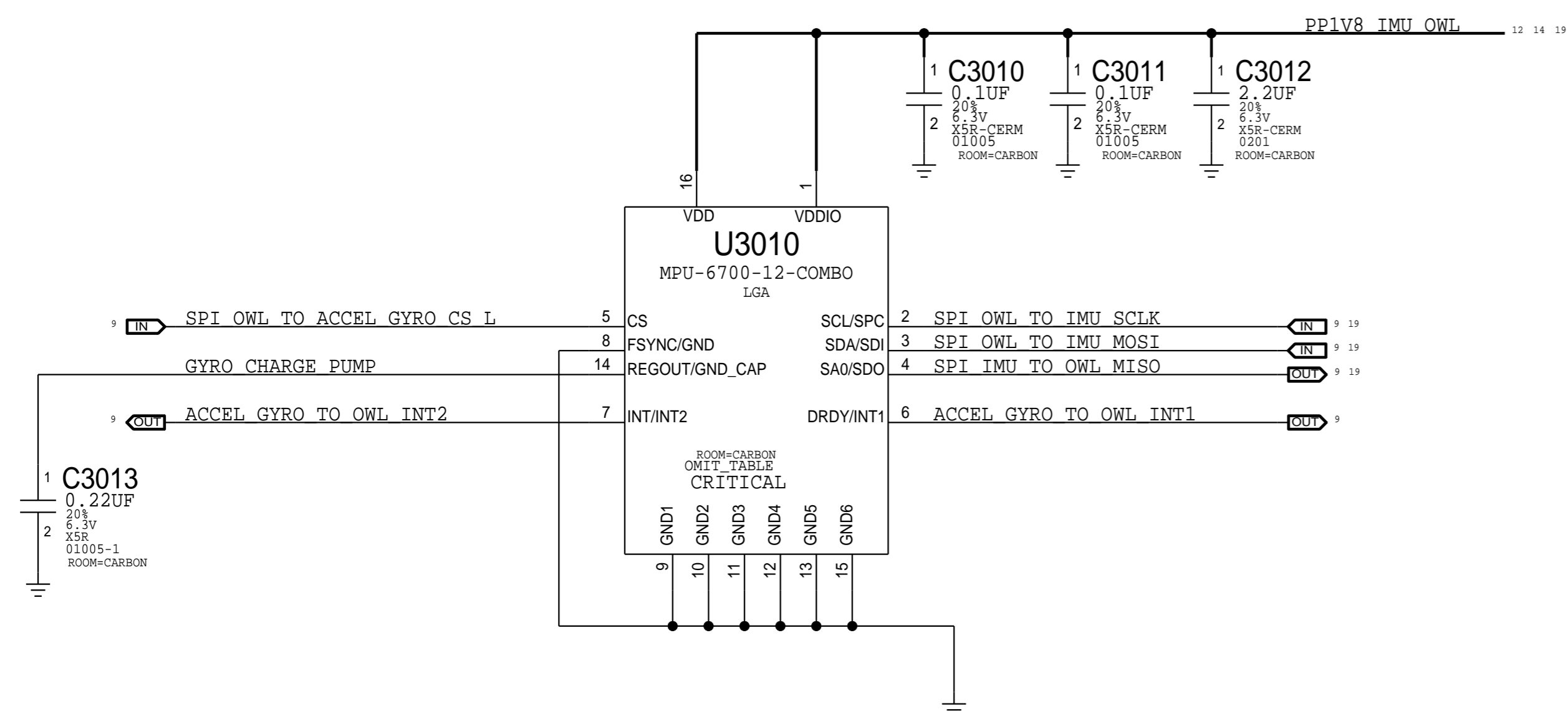


SYNC_MASTER=N/A		SYNC_DATE=N/A	
PAGE TITLE			
SYSTEM POWER: BATTERY CONN			
	DRAWING NUMBER	051-00648	SIZE
	REVISION	4.0.0	D
NOTICE OF PROPRIETARY PROPERTY:		BRANCH	
THE INFORMATION CONTAINED HEREIN IS THE PROPRIETARY PROPERTY OF APPLE INC. THE POSSESSOR AGREES TO THE FOLLOWING: I TO MAINTAIN THIS DOCUMENT IN CONFIDENCE II NOT TO REPRODUCE OR COPY IT III NOT TO REVEAL OR PUBLISH IT IN WHOLE OR PART IV ALL RIGHTS RESERVED		PAGE	
		24 OF 49	
		SHEET	
		18 OF 60	



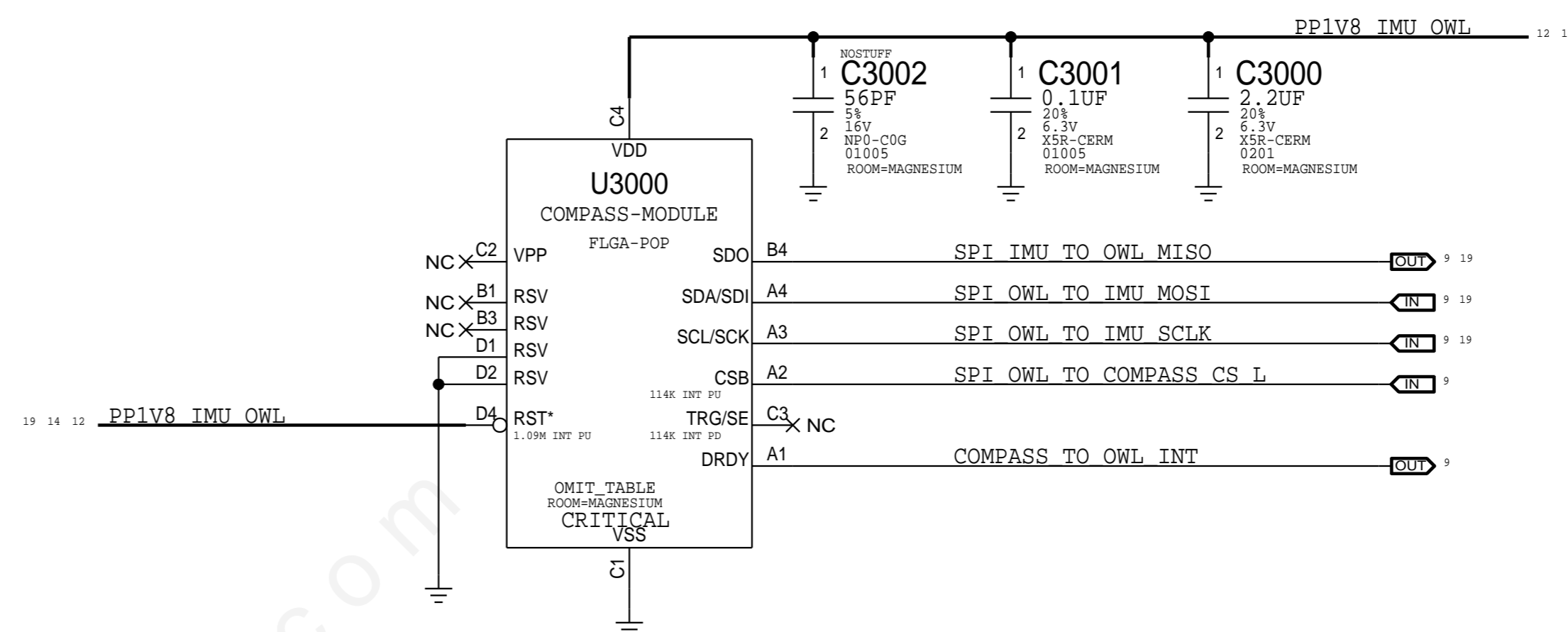
# CARBON - ACCEL & GYRO

INVENSENSE (APN 338S00017): C3013=0.22UF  
 INVENSENSE 1.1 (APN 338S00087): C3013=0.22UF



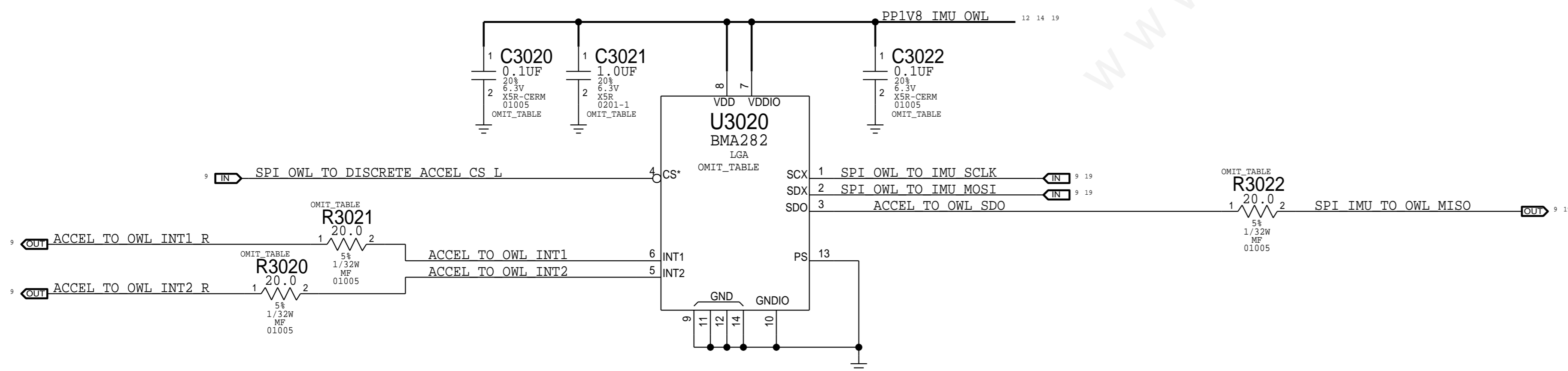
# MAGNESIUM - COMPASS

ALPS (APN:338S00084)



# DISCRETE ACCEL

BOSCH (APN:338S1163)



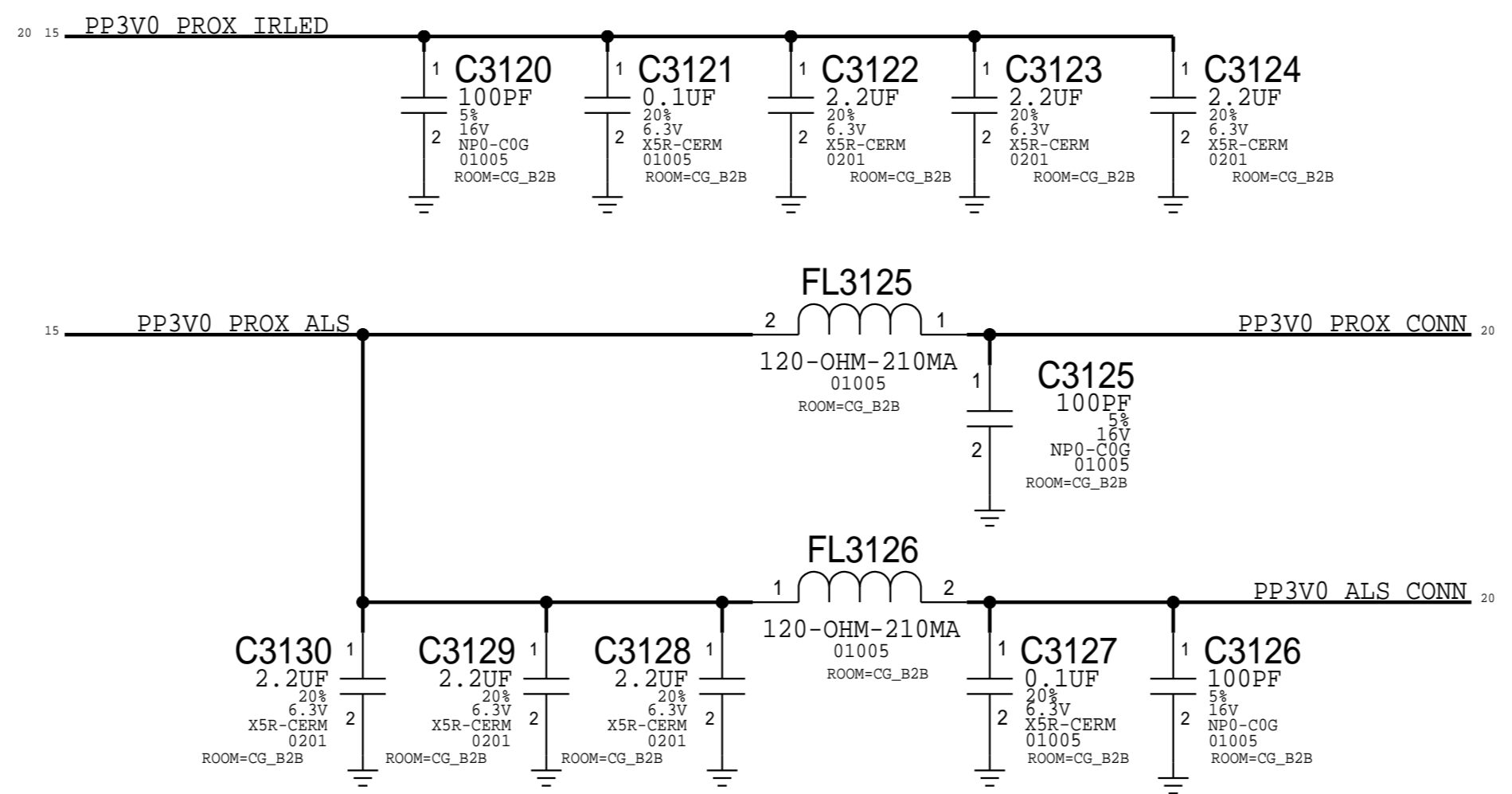
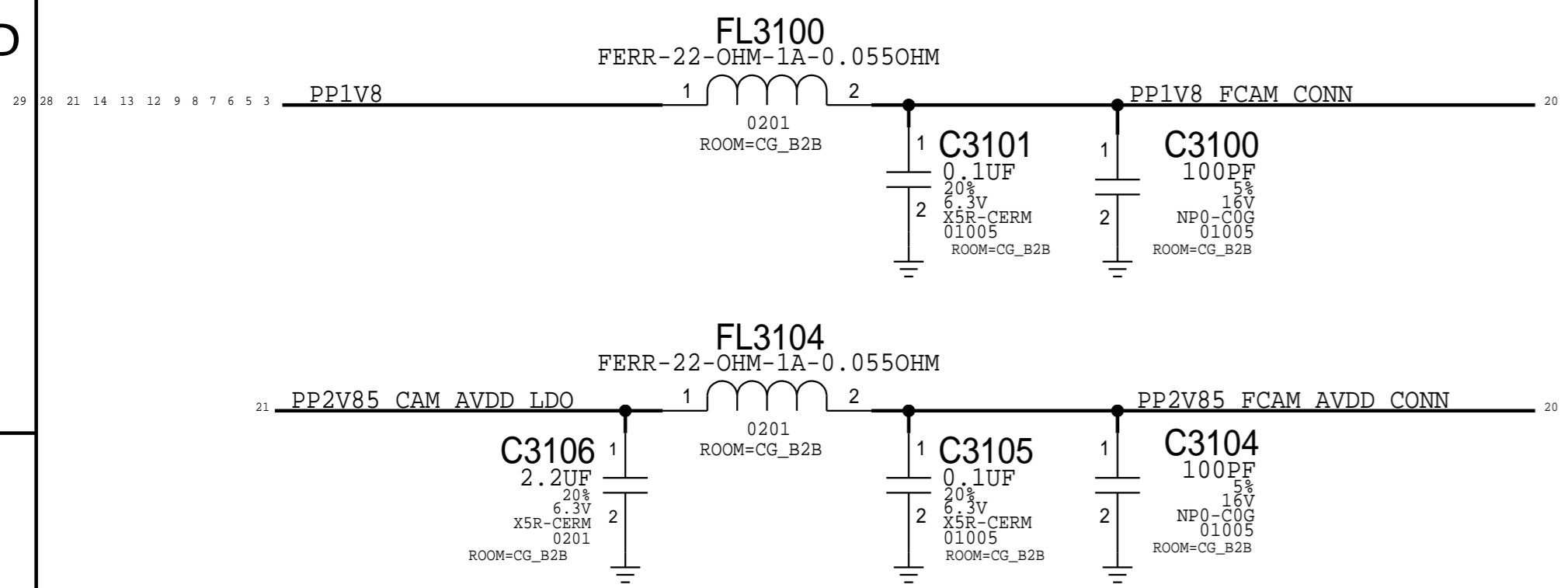
SYNC_MASTER=N/A		SYNC_DATE=N/A	
PAGE TITLE			
<b>SENSORS:MOTION SENSORS</b>			
	DRAWING NUMBER	051-00648	SIZE
	REVISION	4.0.0	D
NOTICE OF PROPRIETARY PROPERTY: THE INFORMATION CONTAINED HEREIN IS THE PROPRIETARY PROPERTY OF APPLE INC. THE POSSESSOR AGREES TO THE FOLLOWING: I TO MAINTAIN THIS DOCUMENT IN CONFIDENCE II NOT TO REPRODUCE OR COPY IT III NOT TO REVEAL OR PUBLISH IT IN WHOLE OR PART IV ALL RIGHTS RESERVED		BRANCH	
		PAGE	30 OF 49
		SHEET	19 OF 60

# FOREHEAD FLEX (FCAM)

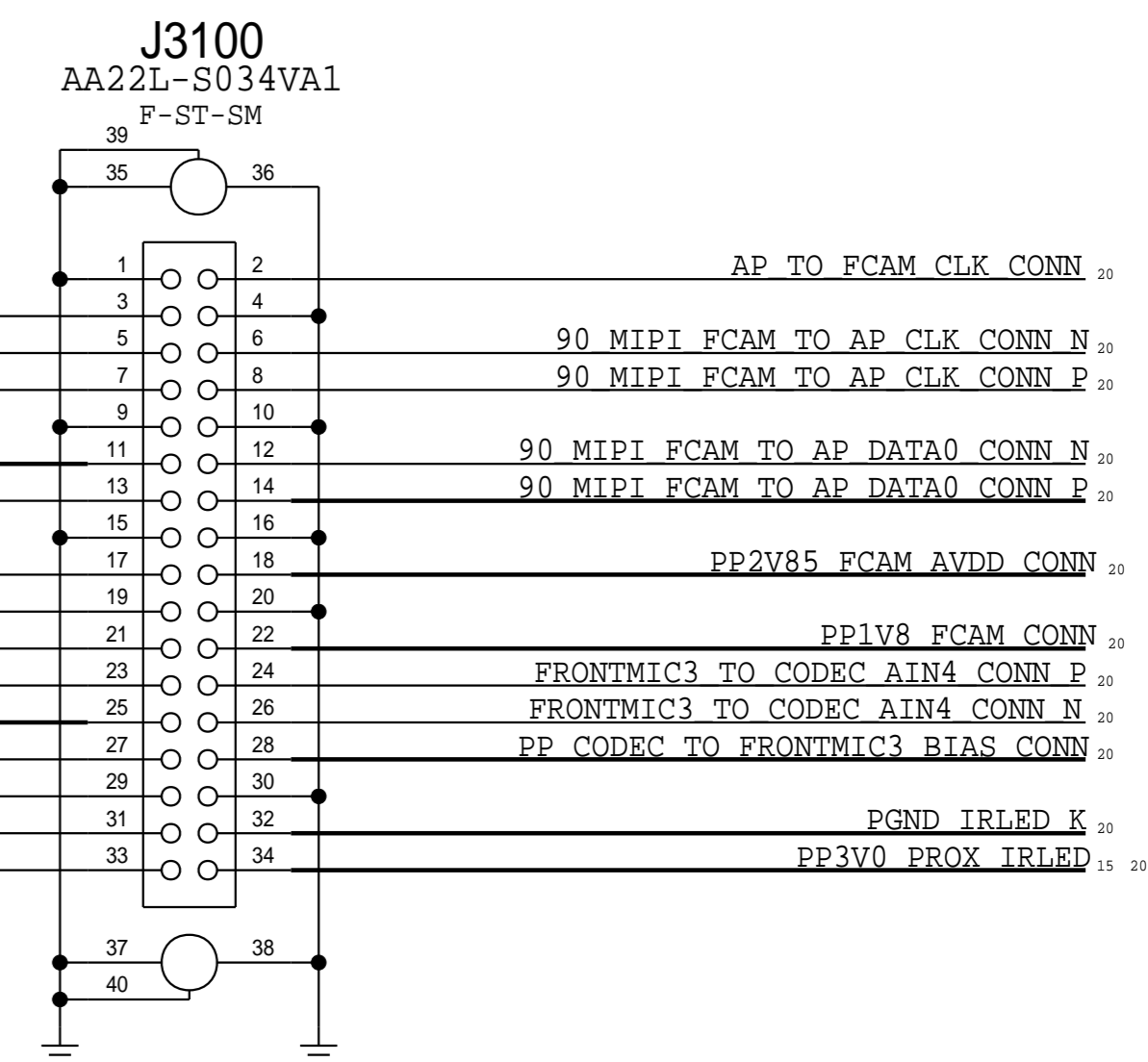
## PROX & ALS POWER

## FOREHEAD CONNECTOR

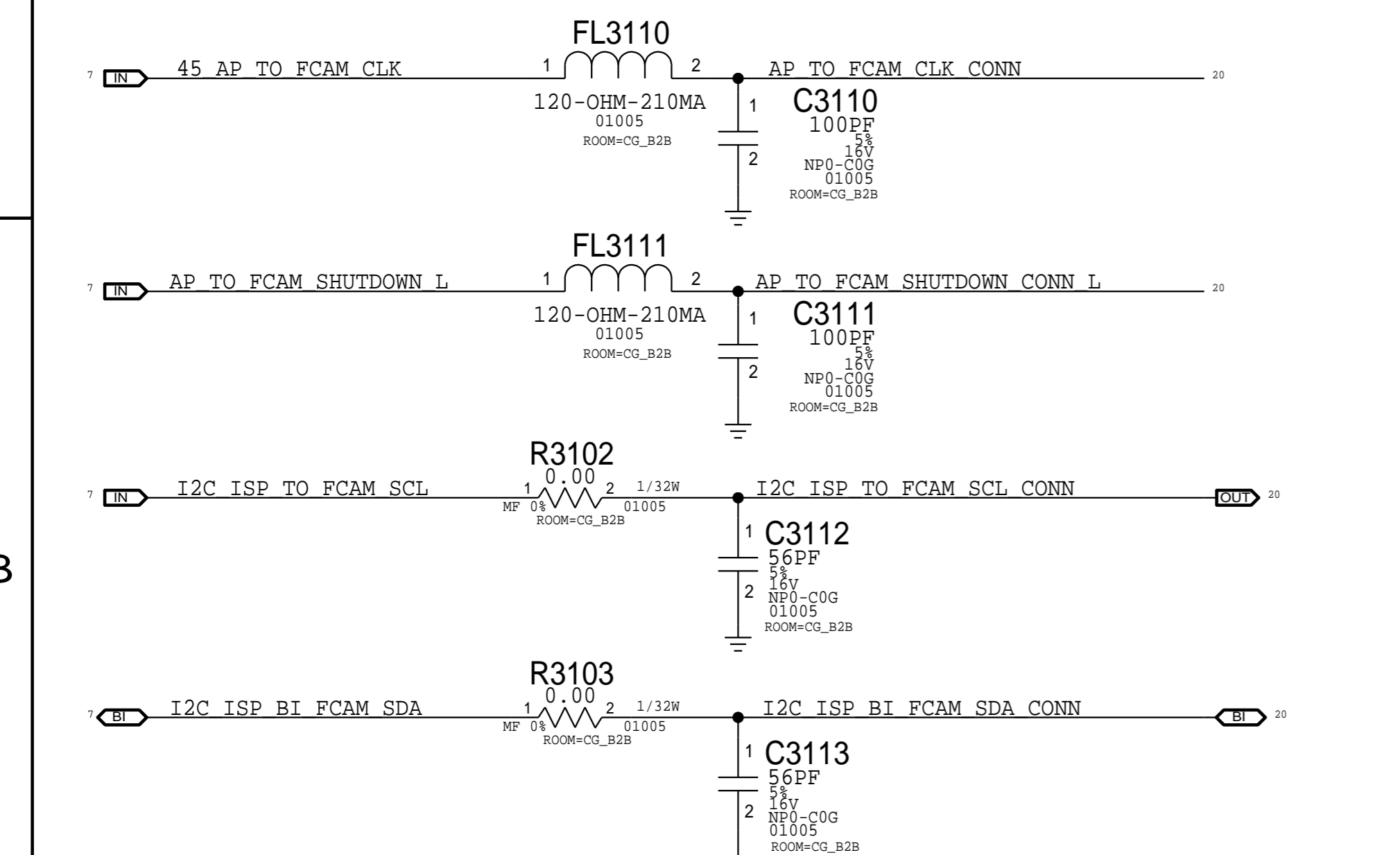
### CAMERA POWER



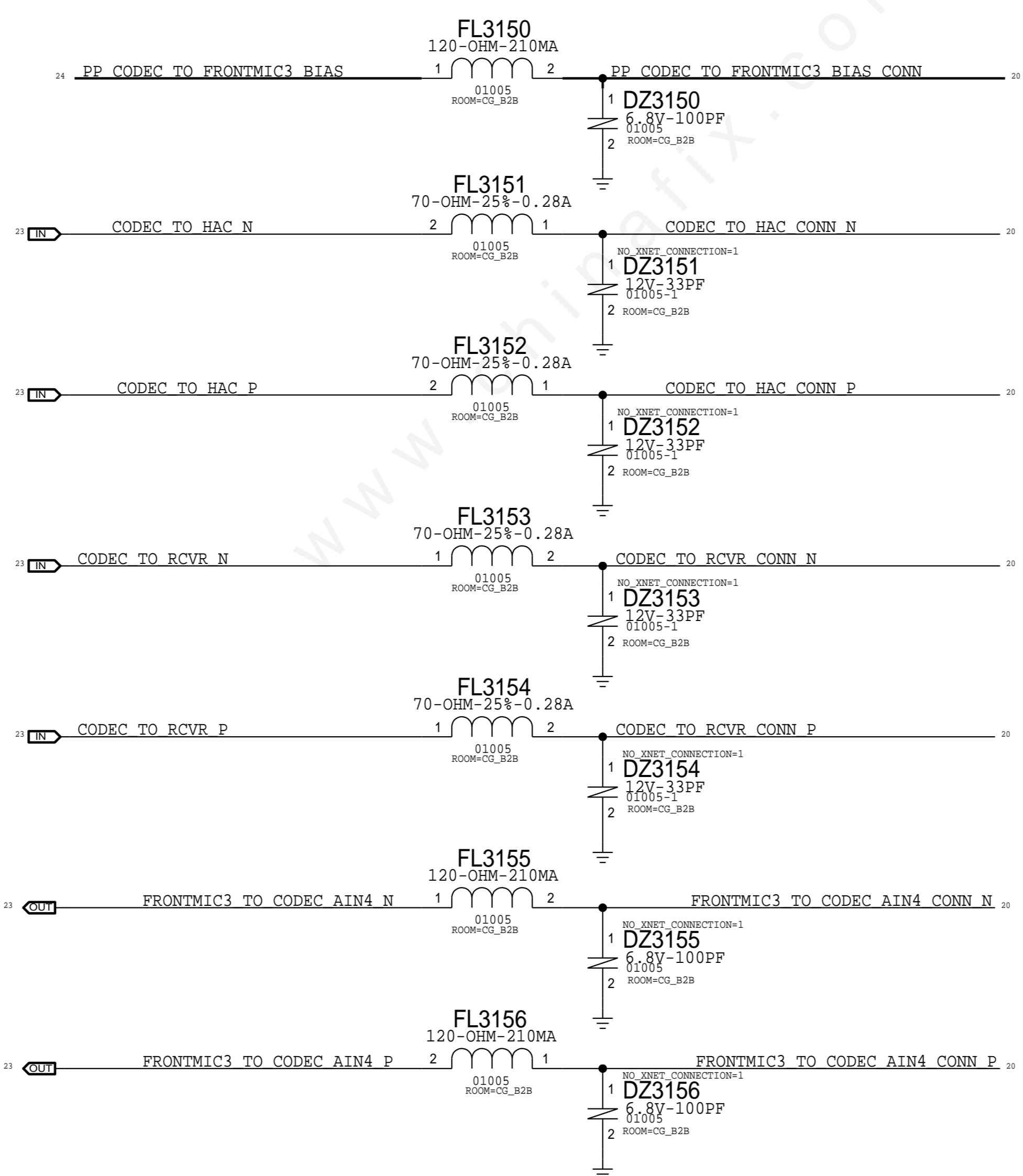
THIS ONE ON MLB ---> 516S0986 (RCPT)  
516S0987 (PLUG)



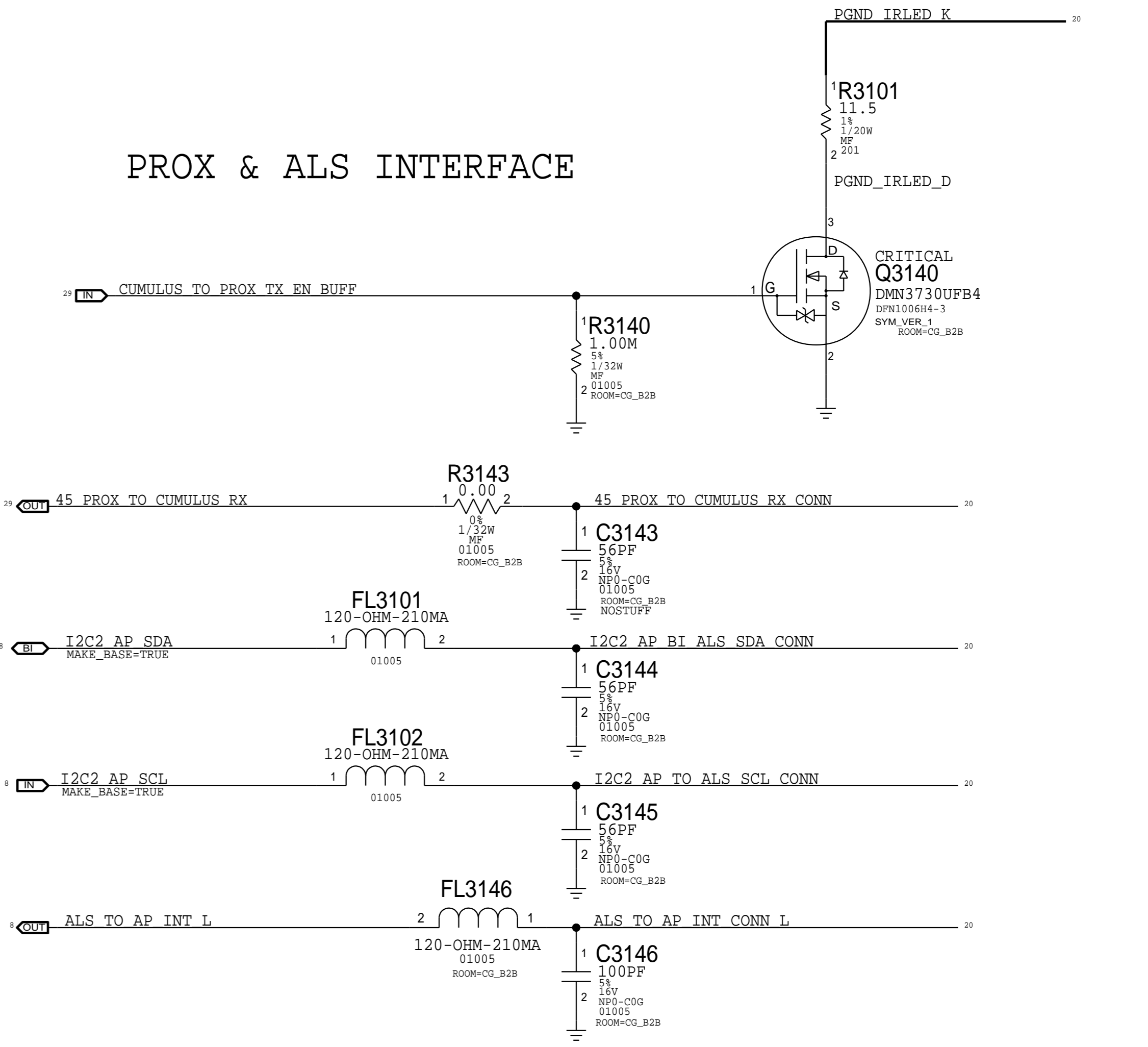
### CAMERA I/O



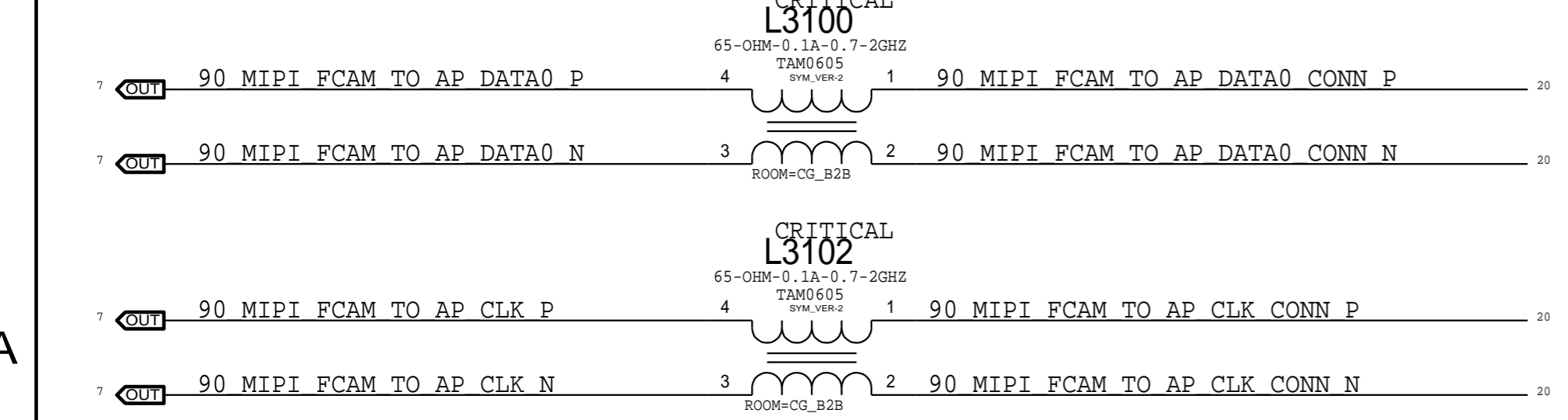
### MIC3/HAC/RCVR INTERFACE



### PROX & ALS INTERFACE



### CAMERA MIPI



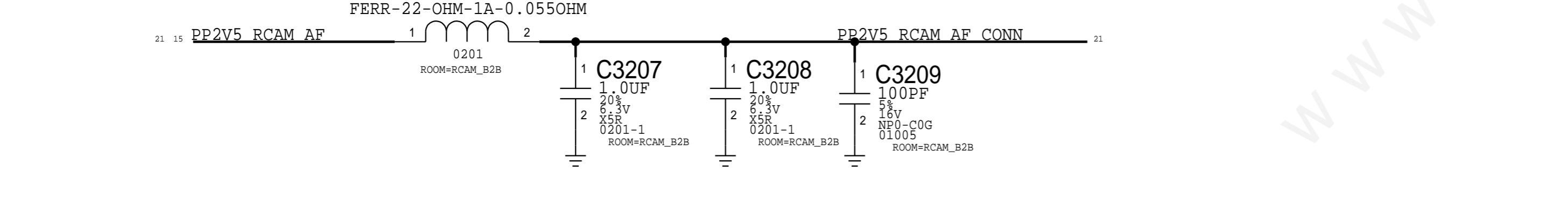
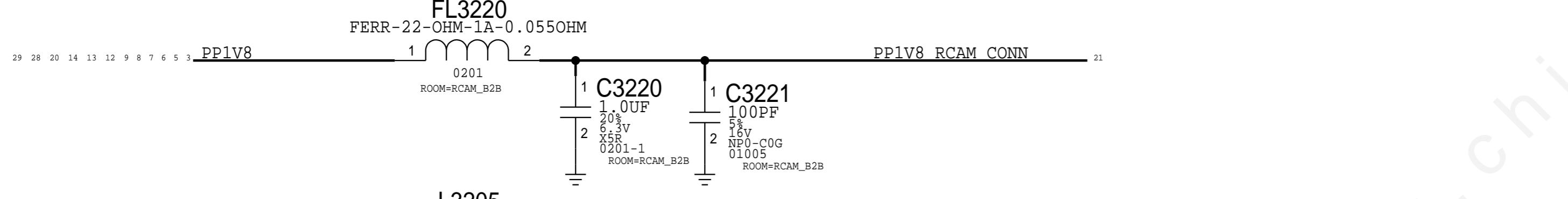
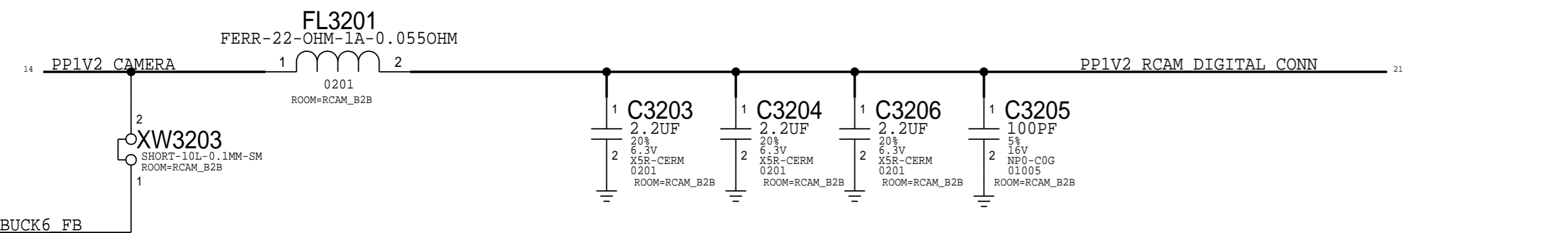
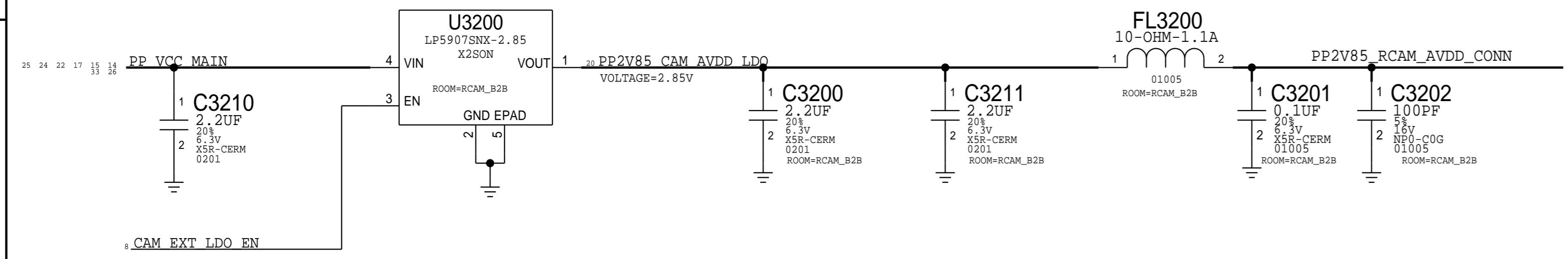
SYNC_MASTER=N/A		SYNC_DATE=N/A	
PAGE TITLE			
<b>CAMERA:FOREHEAD FLEX B2B</b>			
		DRAWING NUMBER	051-00648
		REVISION	4.0.0
NOTICE OF PROPRIETARY PROPERTY: THE INFORMATION CONTAINED HEREIN IS THE PROPRIETARY PROPERTY OF APPLE INC. THE POSSESSOR AGREES TO THE FOLLOWING: I TO MAINTAIN THIS DOCUMENT IN CONFIDENCE II NOT TO REPRODUCE OR COPY IT III NOT TO REVEAL OR PUBLISH IT IN WHOLE OR PART IV ALL RIGHTS RESERVED		BRANCH	
		PAGE	31 OF 49
		SHEET	20 OF 60



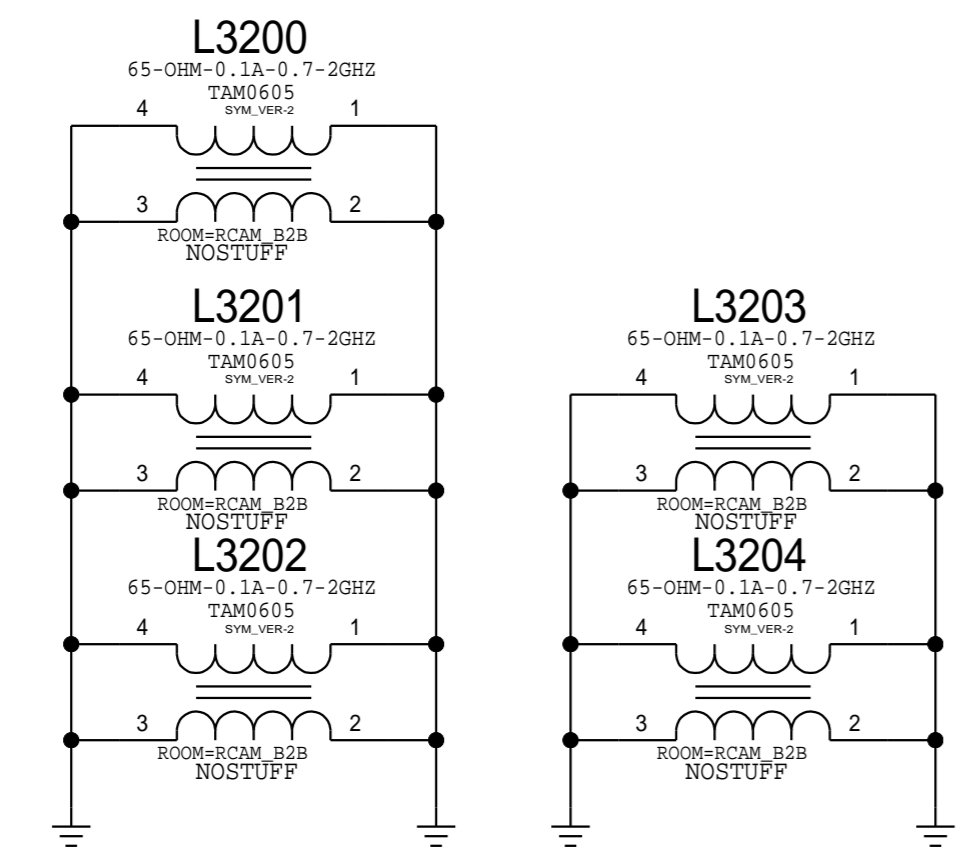
# REAR CAMERA FLEX

# RCAM CONNECTOR

## CAMERA POWER

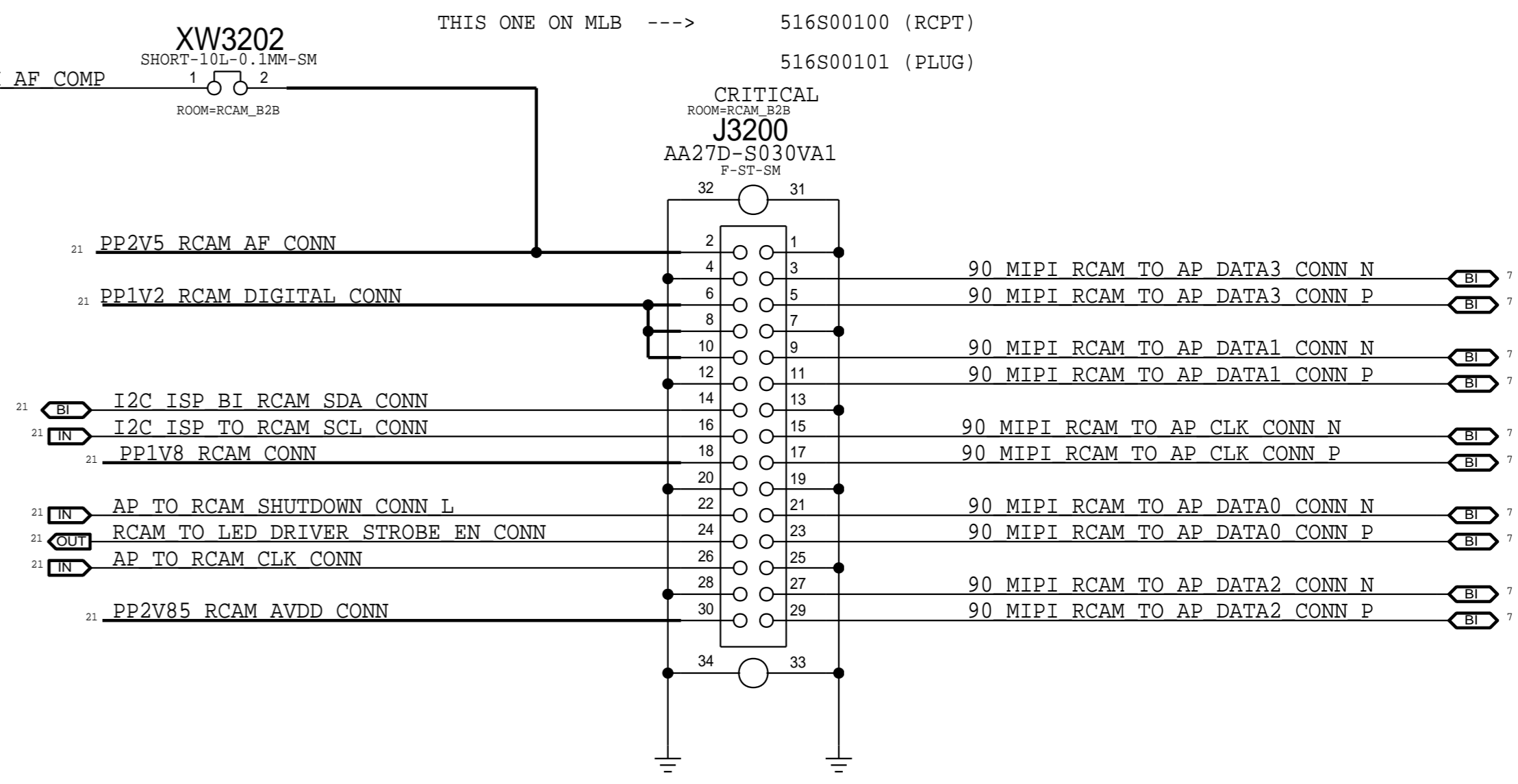
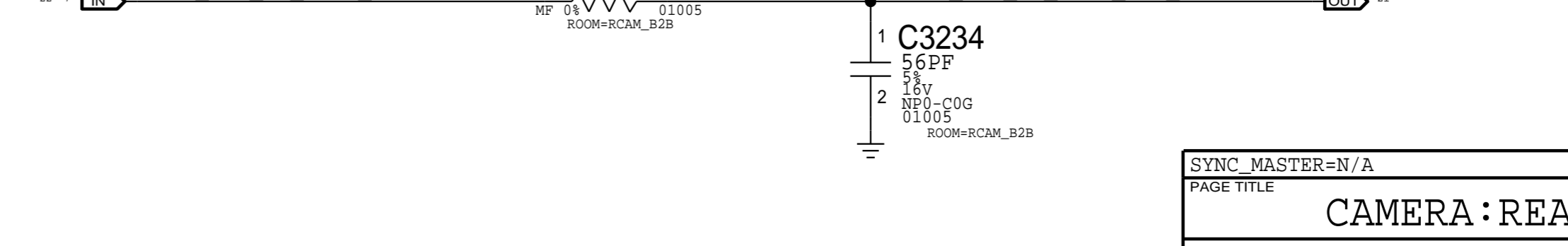
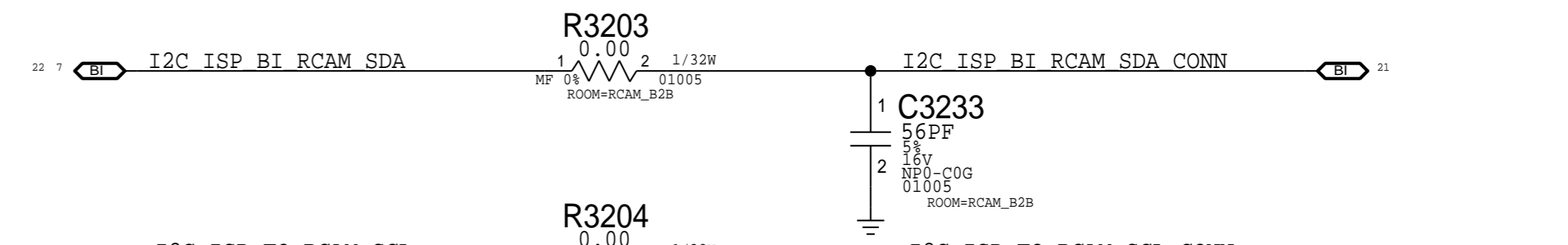
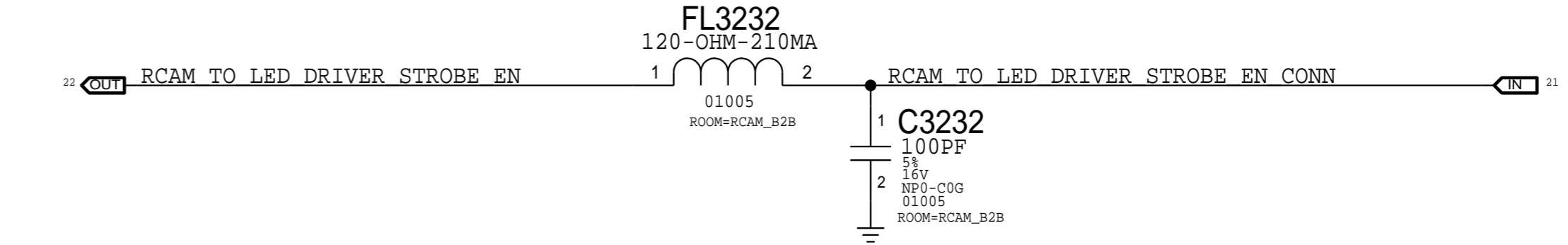
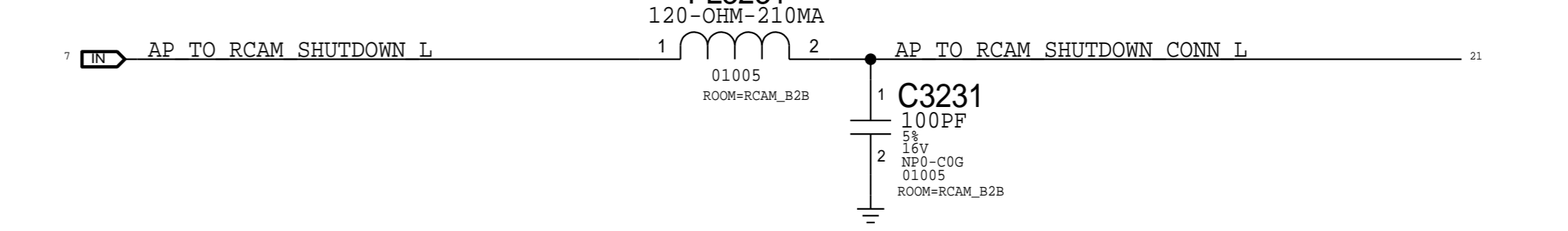
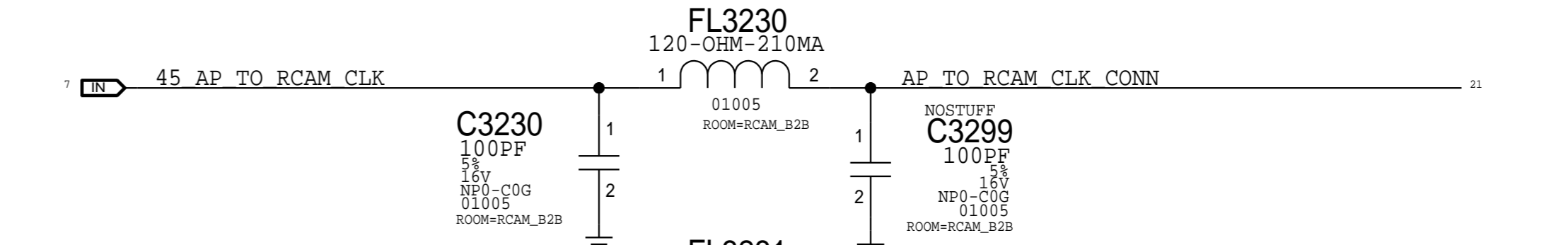


## MIPI COMMON-MODE CHOKES



## PLACEHOLDER FOOTPRINTS

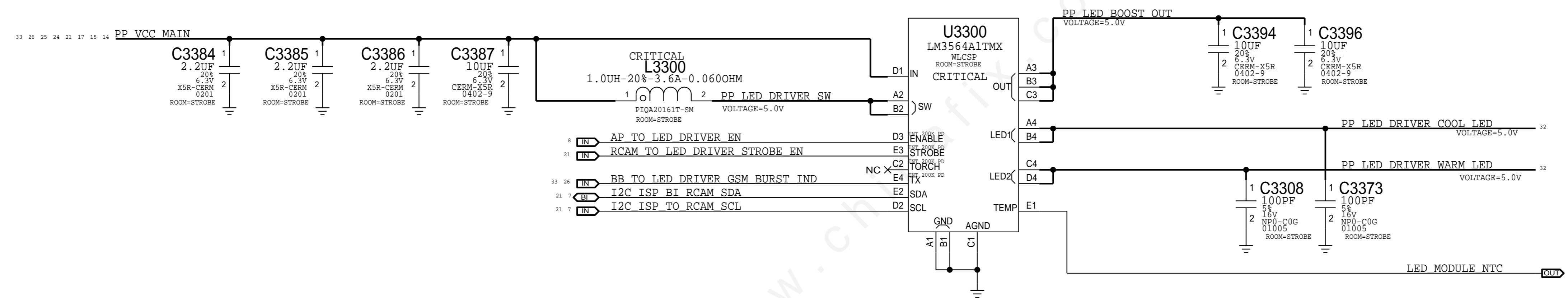
## DIGITAL I/O



SYNC_MASTER=N/A		SYNC_DATE=N/A	
PAGE TITLE			
<b>CAMERA:REAR CAMERA B2B</b>			
	DRAWING NUMBER	051-00648	SIZE
	REVISION	4.0.0	D
NOTICE OF PROPRIETARY PROPERTY: THE INFORMATION CONTAINED HEREIN IS THE PROPRIETARY PROPERTY OF APPLE INC. THE POSSESSOR AGREES TO THE FOLLOWING: I TO MAINTAIN THIS DOCUMENT IN CONFIDENCE II NOT TO REPRODUCE OR COPY IT III NOT TO REVEAL OR PUBLISH IT IN WHOLE OR PART IV ALL RIGHTS RESERVED		BRANCH	
		PAGE	32 OF 49
		SHEET	21 OF 60

# DUAL LED STROBE DRIVER

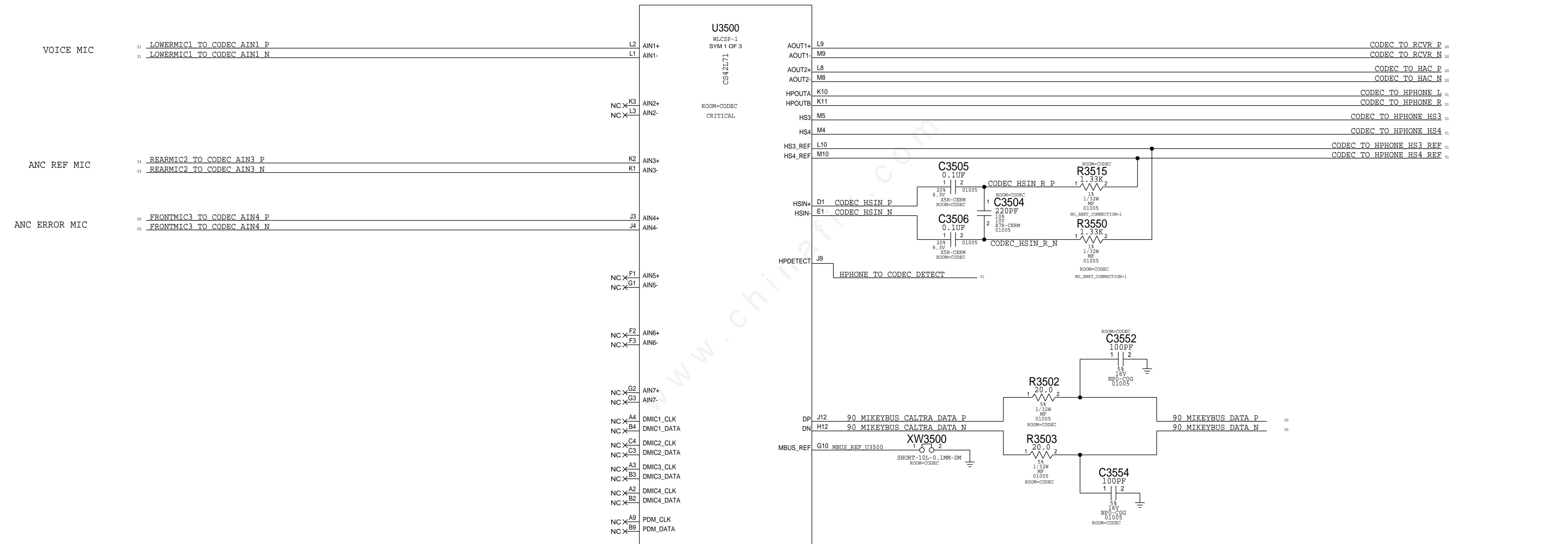
APN: 353S3899



SYNC_MASTER=N/A		SYNC_DATE=N/A	
PAGE TITLE			
<b>CAMERA: STROBE DRIVER</b>			
	DRAWING NUMBER	051-00648	SIZE
	REVISION	4.0.0	D
NOTICE OF PROPRIETARY PROPERTY: THE INFORMATION CONTAINED HEREIN IS THE PROPRIETARY PROPERTY OF APPLE INC. THE POSSESSOR AGREES TO THE FOLLOWING: I TO MAINTAIN THIS DOCUMENT IN CONFIDENCE II NOT TO REPRODUCE OR COPY IT III NOT TO REVEAL OR PUBLISH IT IN WHOLE OR PART IV ALL RIGHTS RESERVED		BRANCH	
		PAGE	33 OF 49
		SHEET	22 OF 60

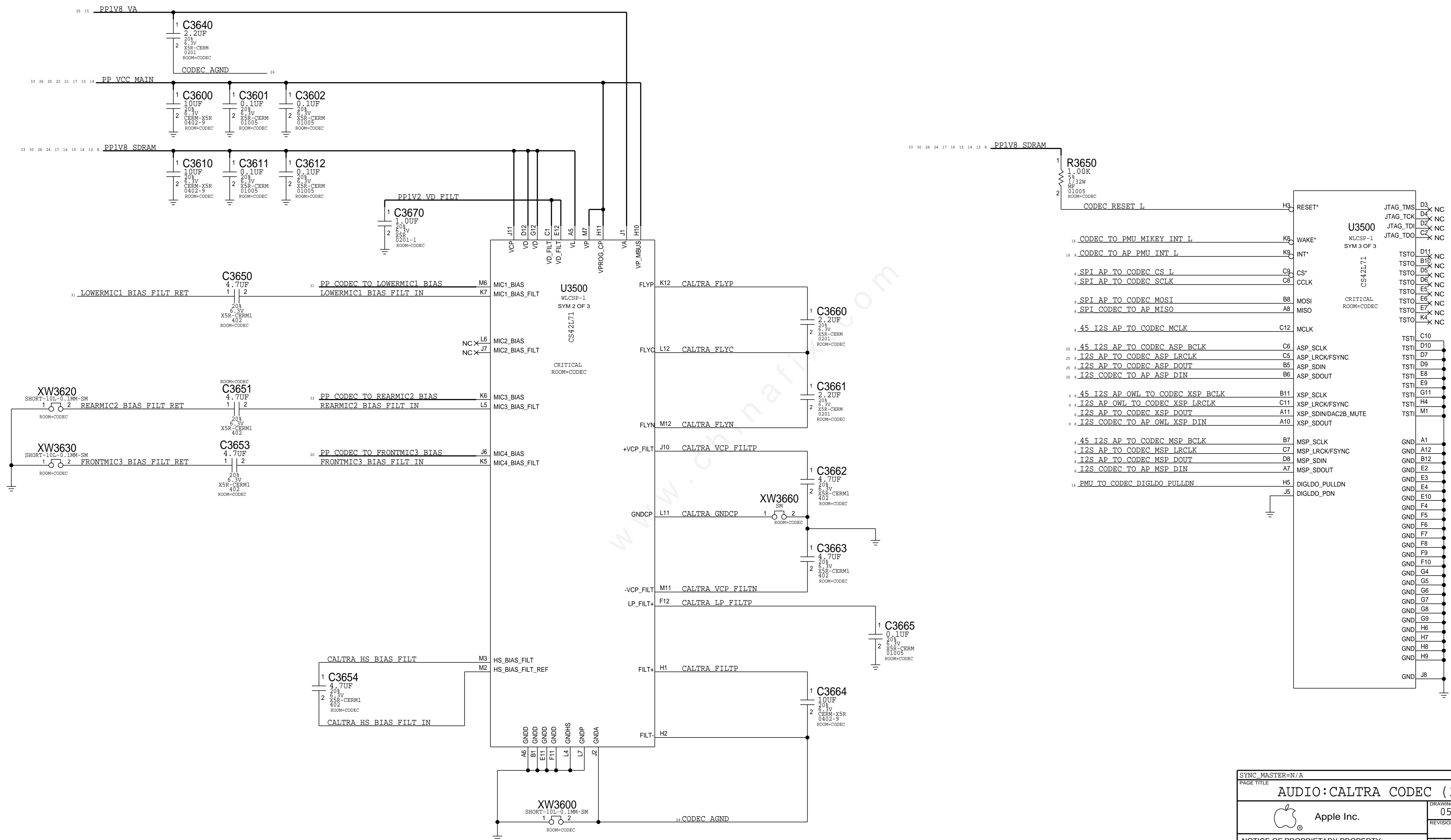


# CALTRA AUDIO CODEC (ANALOG INPUTS & OUTPUTS)



SYNC_MASTER=N/A		SYNC_DATE=N/A	
PAGE TITLE <b>AUDIO:CALTRA CODEC (1/2)</b>			
	DRAWING NUMBER	051-00648	SIZE D
	REVISION	4.0.0	
NOTICE OF PROPRIETARY PROPERTY: THE INFORMATION CONTAINED HEREIN IS THE PROPRIETARY PROPERTY OF APPLE INC. THE POSSESSOR AGREES TO THE FOLLOWING: I TO MAINTAIN THIS DOCUMENT IN CONFIDENCE II NOT TO REPRODUCE OR COPY IT III NOT TO REVEAL OR PUBLISH IT IN WHOLE OR PART IV ALL RIGHTS RESERVED		BRANCH	
		PAGE	35 OF 49
		SHEET	23 OF 60

# CALTRA AUDIO CODEC (POWER & I/O)

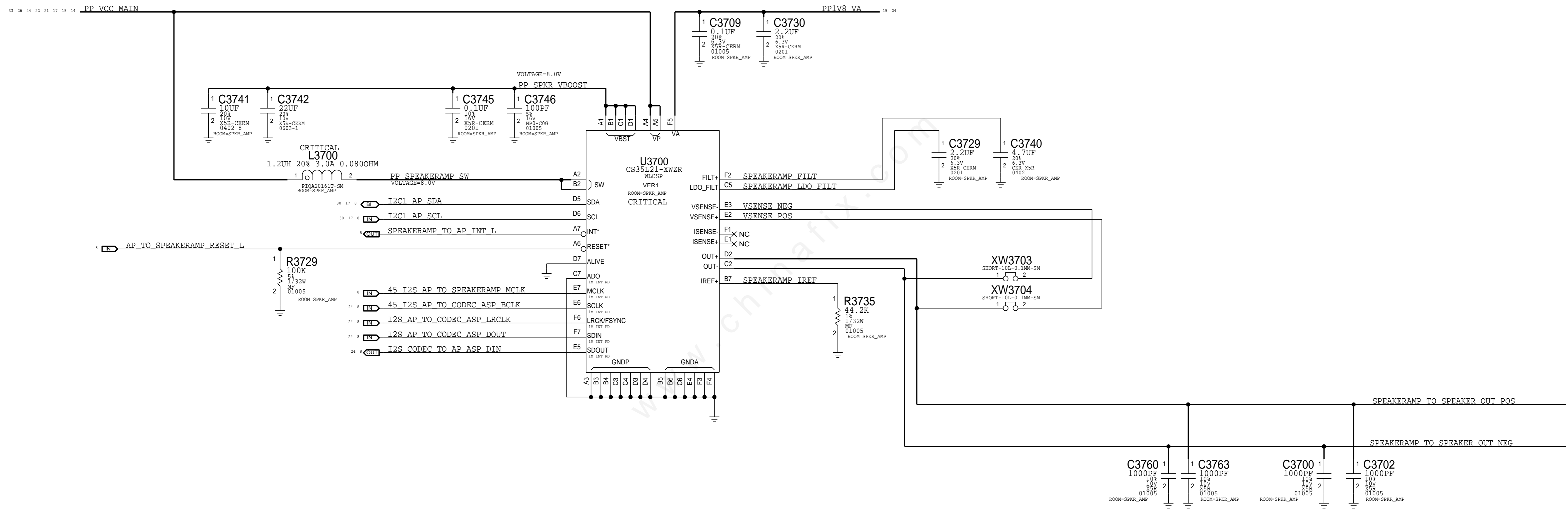


SYNC_MASTER=N/A	SYNC_DATE=N/A
PAGE TITLE <b>AUDIO:CALTRA CODEC (2/2)</b>	
	DRAWING NUMBER 051-00648
	REVISION 4.0.0
NOTICE OF PROPRIETARY PROPERTY: THE INFORMATION CONTAINED HEREIN IS THE PROPRIETARY PROPERTY OF APPLE INC. THE POSSESSOR AGREES TO THE FOLLOWING: I TO MAINTAIN THIS DOCUMENT IN CONFIDENCE II NOT TO REPRODUCE OR COPY IT III NOT TO REVEAL OR PUBLISH IT IN WHOLE OR PART IV ALL RIGHTS RESERVED	
BRANCH	PAGE 36 OF 49
SHEET	24 OF 60



# SPEAKER AMPLIFIER

APN: 338S1285

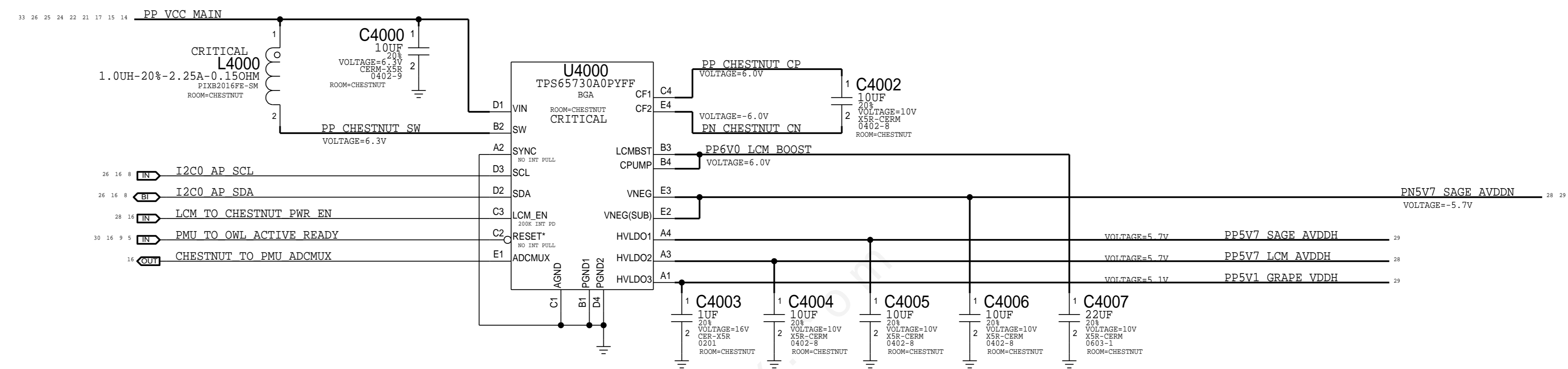


SYNC_MASTER=N/A		SYNC_DATE=N/A	
PAGE TITLE			
<b>AUDIO: SPEAKER DRIVER</b>			
	DRAWING NUMBER	051-00648	SIZE D
	REVISION	4.0.0	
NOTICE OF PROPRIETARY PROPERTY: THE INFORMATION CONTAINED HEREIN IS THE PROPRIETARY PROPERTY OF APPLE INC. THE POSSESSOR AGREES TO THE FOLLOWING: I TO MAINTAIN THIS DOCUMENT IN CONFIDENCE II NOT TO REPRODUCE OR COPY IT III NOT TO REVEAL OR PUBLISH IT IN WHOLE OR PART IV ALL RIGHTS RESERVED		BRANCH	
		PAGE	37 OF 49
		SHEET	25 OF 60

# DISPLAY & TOUCH - POWER SUPPLIES

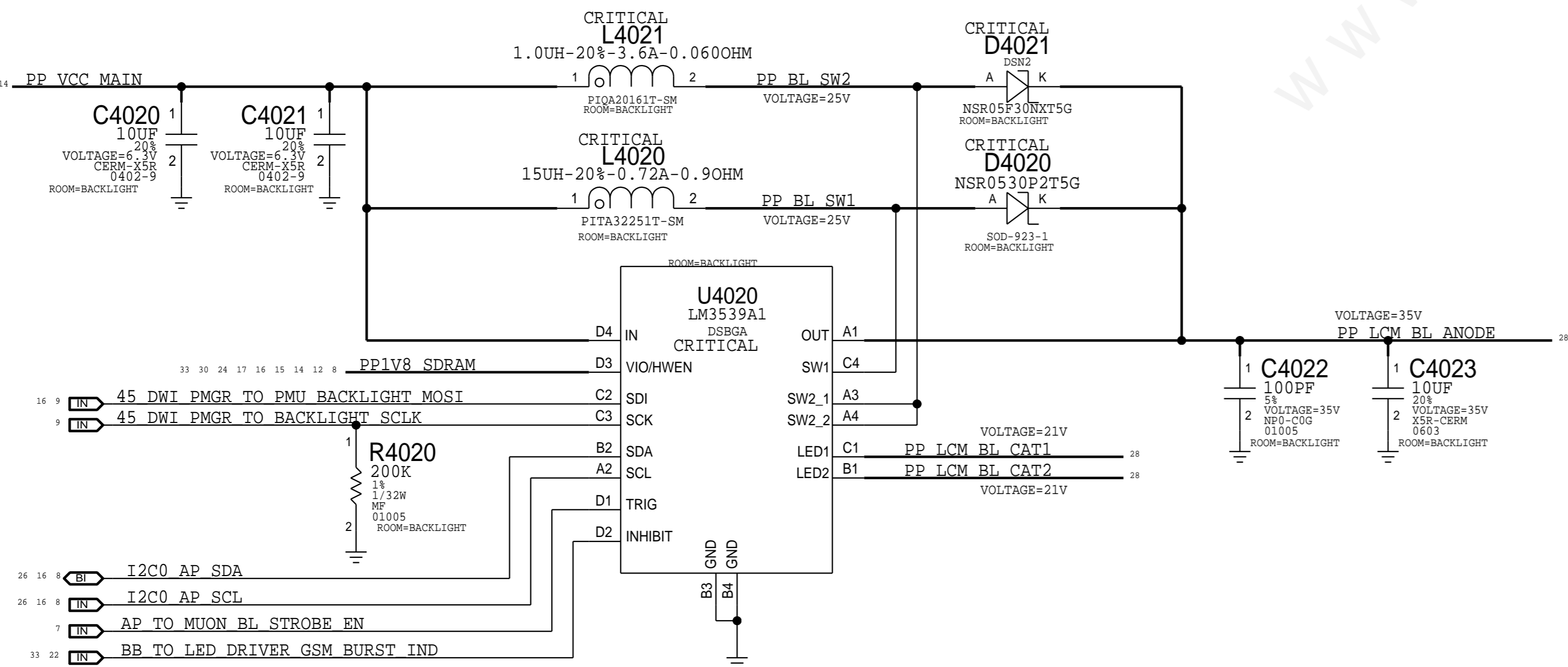
## CHESTNUT DISPLAY PMU

APN:338S1172



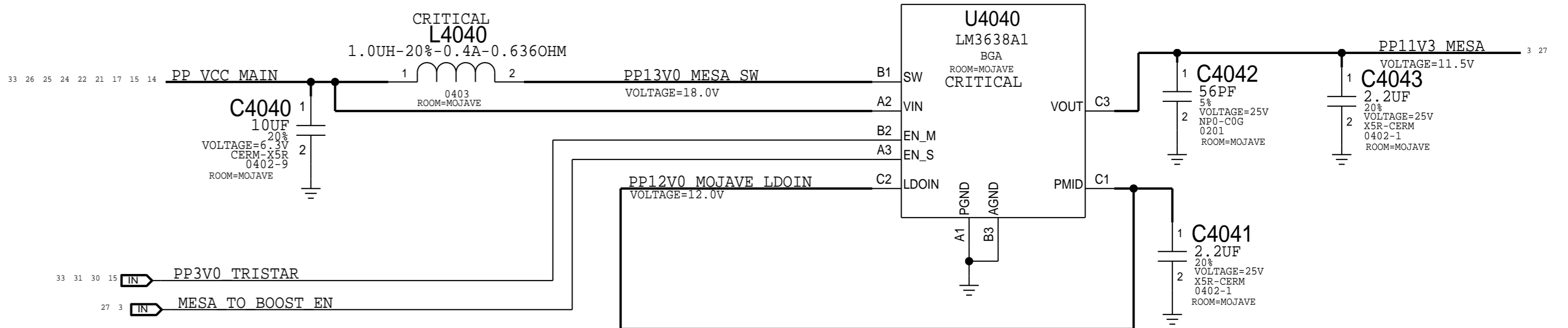
## LED BACKLIGHT DRIVER

APN:353S00640



## MOJAVE MESA BOOST

APN:353S4207 (A1)

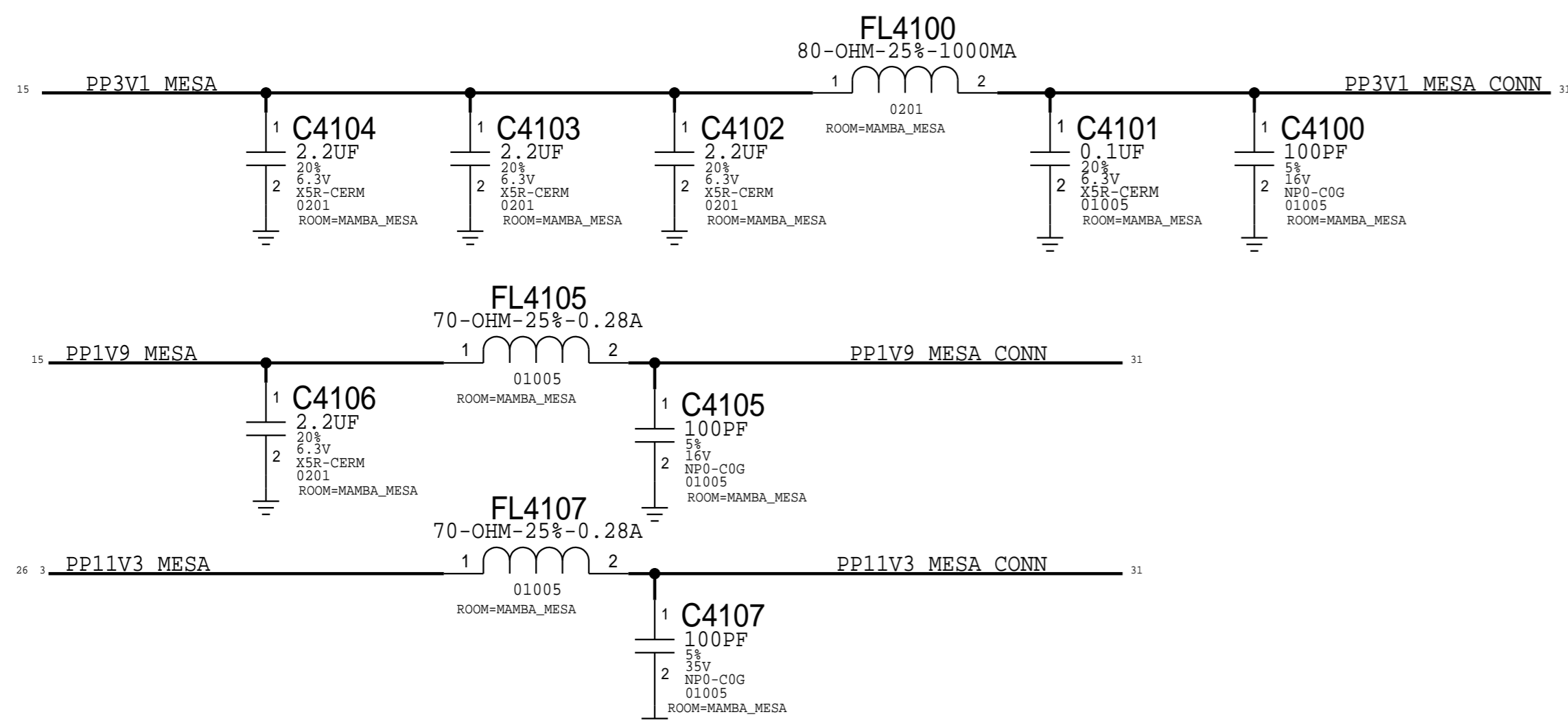


SYNC_MASTER=N/A		SYNC_DATE=N/A	
PAGE TITLE			
<b>DISPLAY : POWER</b>			
	DRAWING NUMBER	051-00648	SIZE
	REVISION	4.0.0	D
NOTICE OF PROPRIETARY PROPERTY: THE INFORMATION CONTAINED HEREIN IS THE PROPRIETARY PROPERTY OF APPLE INC. THE POSSESSOR AGREES TO THE FOLLOWING: I TO MAINTAIN THIS DOCUMENT IN CONFIDENCE II NOT TO REPRODUCE OR COPY IT III NOT TO REVEAL OR PUBLISH IT IN WHOLE OR PART IV ALL RIGHTS RESERVED		BRANCH	
		PAGE	40 OF 49
		SHEET	26 OF 60

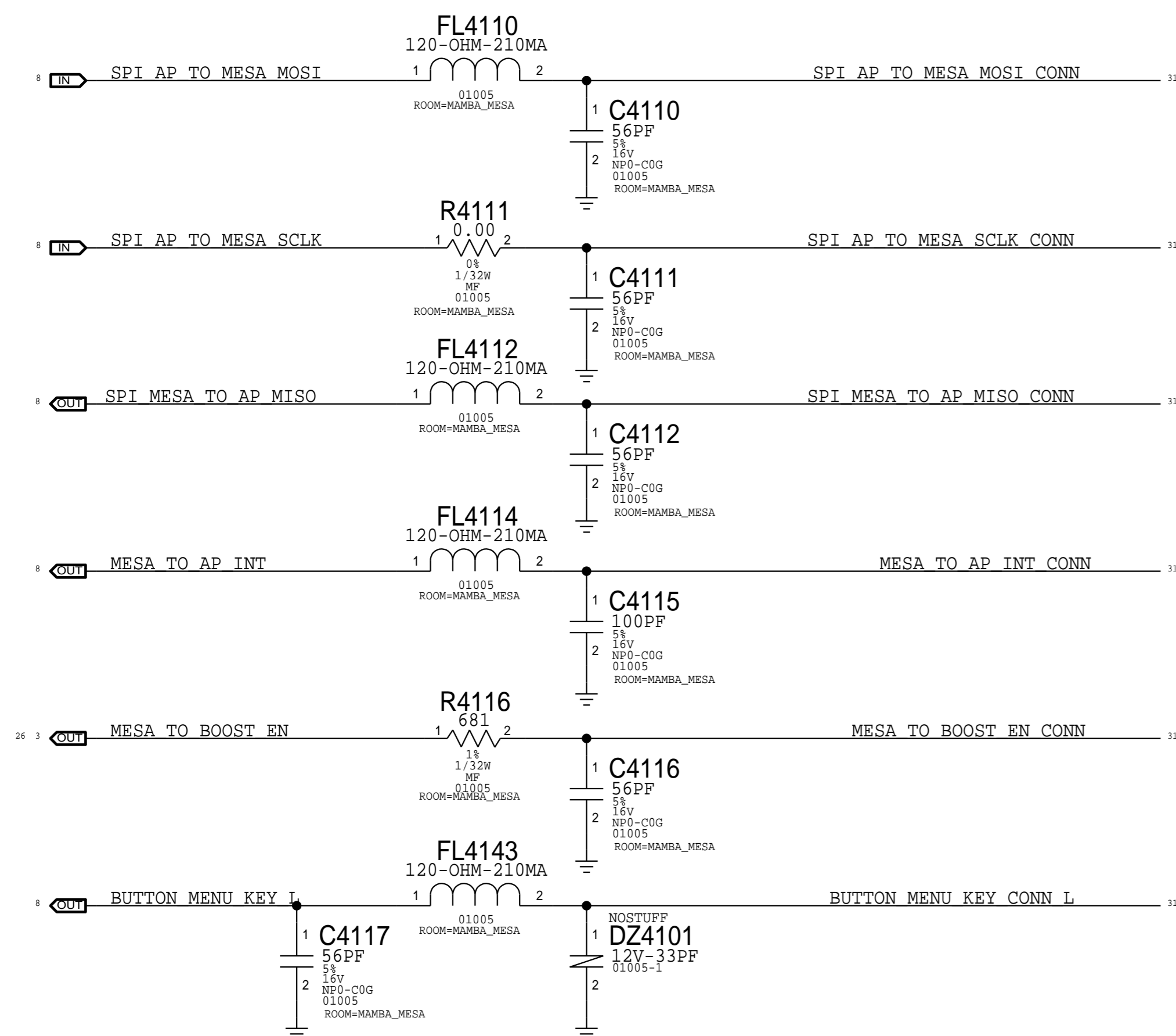


# MESA POWER AND IO FILTERS

## MESA POWER



## MESA DIGITAL I/O



SYNC_MASTER=N/A		SYNC_DATE=N/A	
PAGE TITLE			
MESA POWER AND IO FILTERS			
DRAWING NUMBER		SIZE	
051-00648		D	
REVISION		4.0.0	
BRANCH			
PAGE		41 OF 49	
SHEET		27 OF 60	
NOTICE OF PROPRIETARY PROPERTY: THE INFORMATION CONTAINED HEREIN IS THE PROPRIETARY PROPERTY OF APPLE INC. THE POSSESSOR AGREES TO THE FOLLOWING: I TO MAINTAIN THIS DOCUMENT IN CONFIDENCE II NOT TO REPRODUCE OR COPY IT III NOT TO REVEAL OR PUBLISH IT IN WHOLE OR PART IV ALL RIGHTS RESERVED			

www.chinafix.com

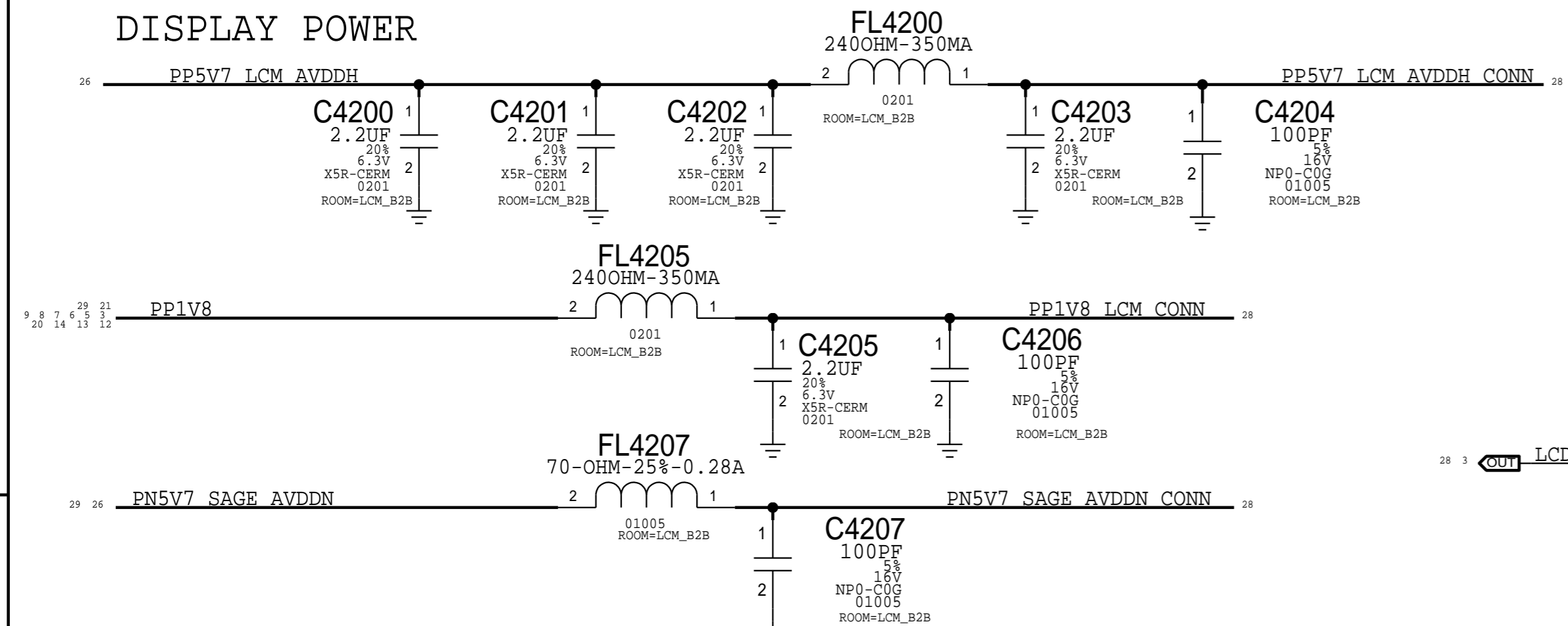


# DISPLAY FLEX

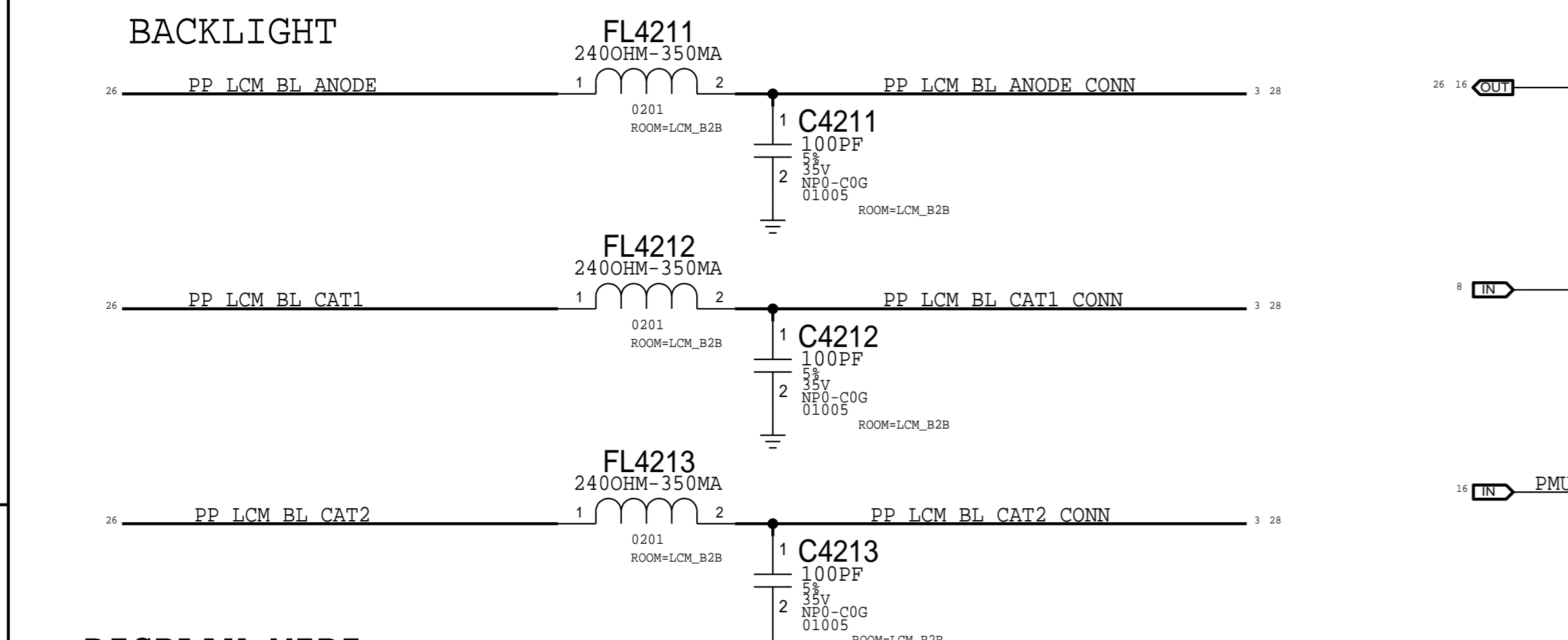
# DISPLAY CONNECTOR

THIS ONE ON MLB ---> 516S1051 (RCPT)  
516S1050 (PLUG)

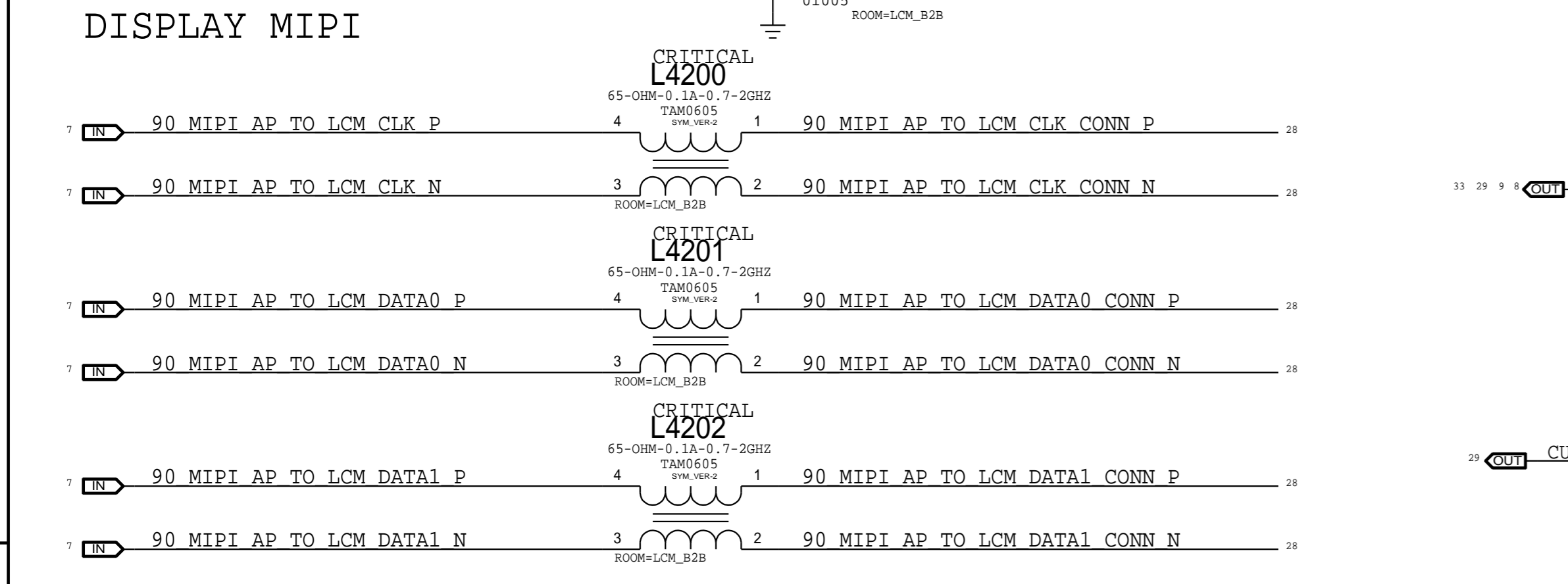
## DISPLAY POWER



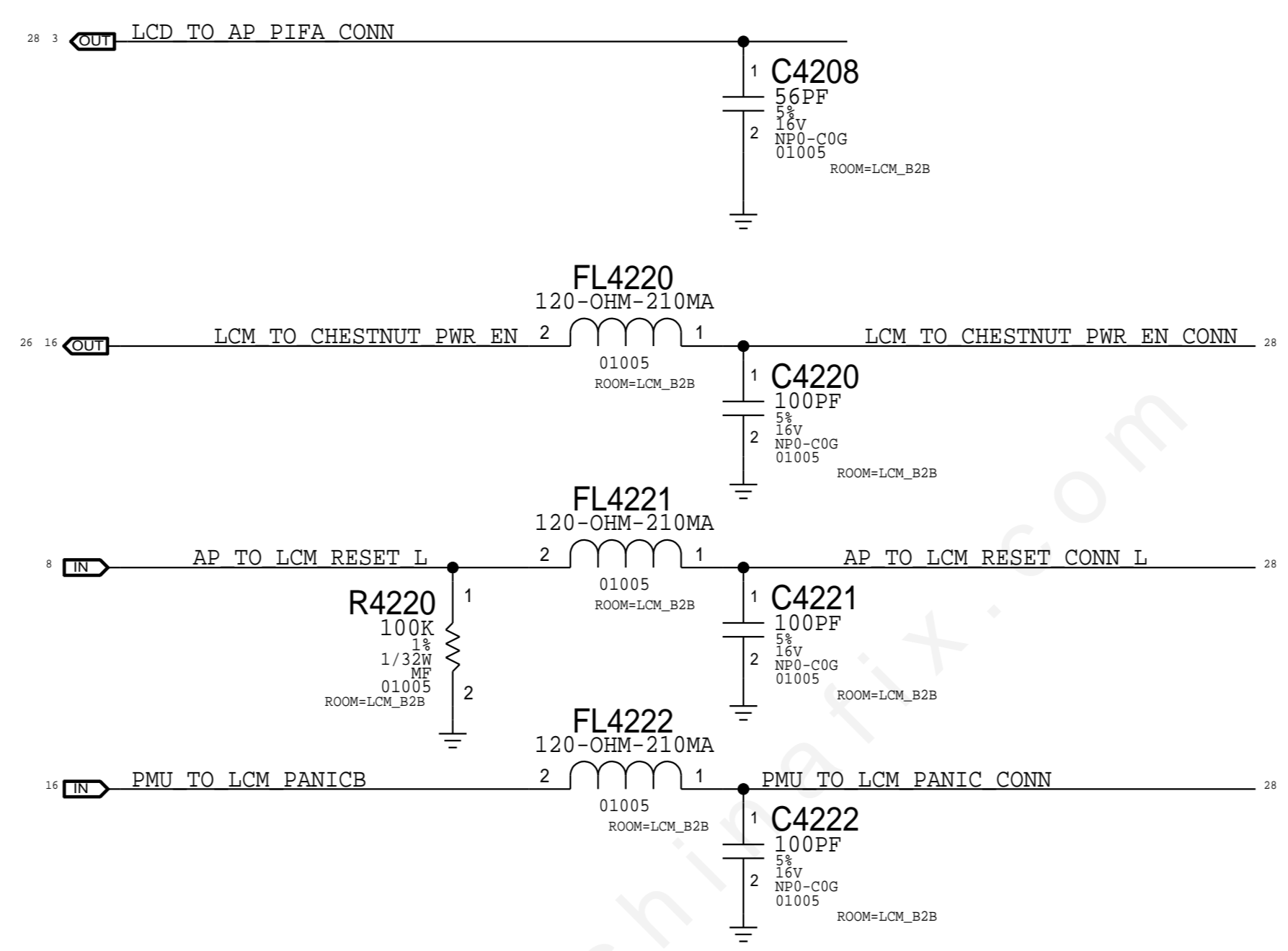
## BACKLIGHT



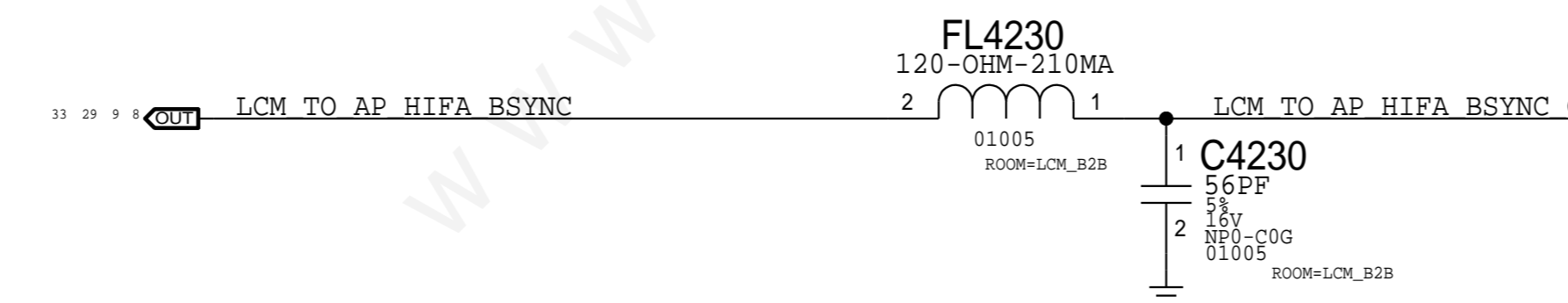
## DISPLAY MIPI



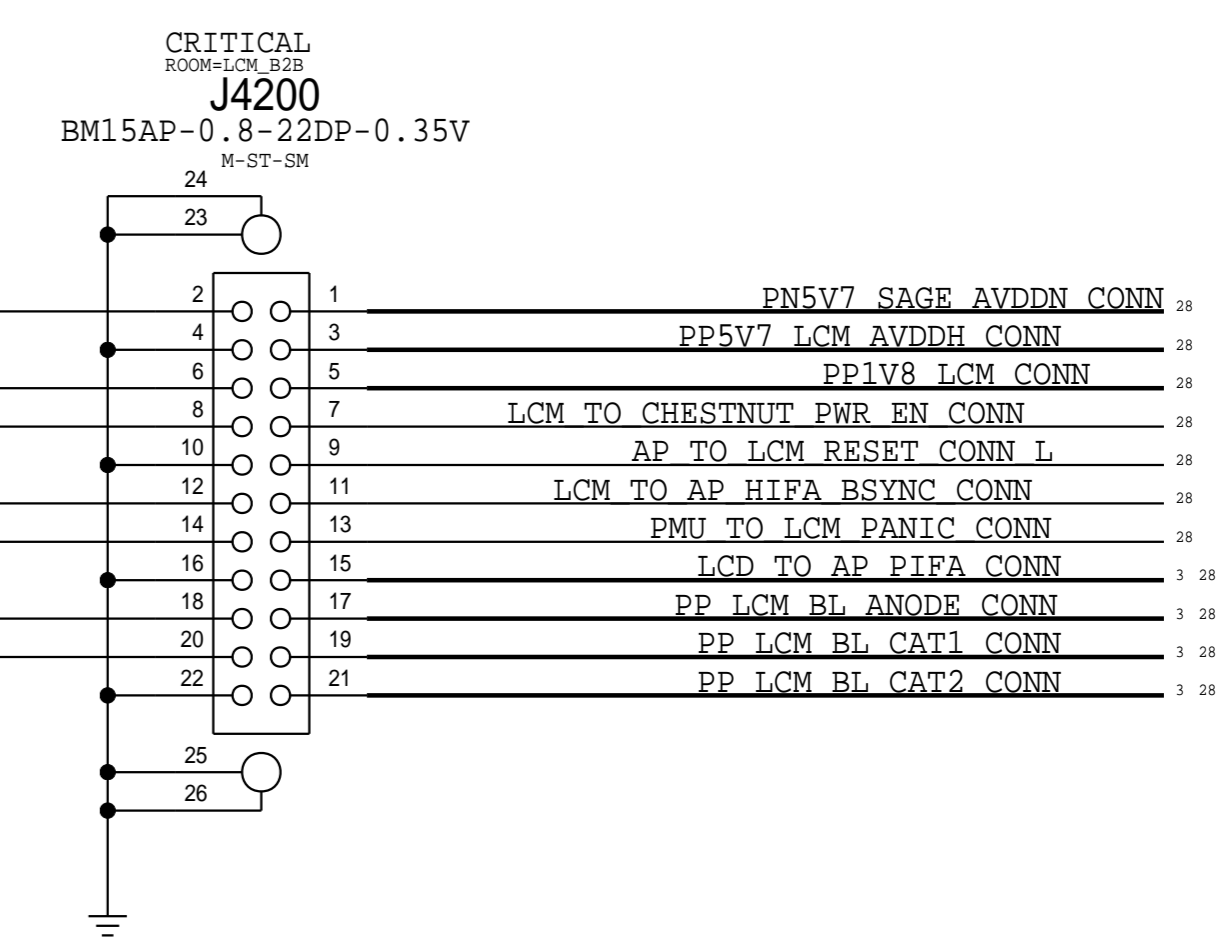
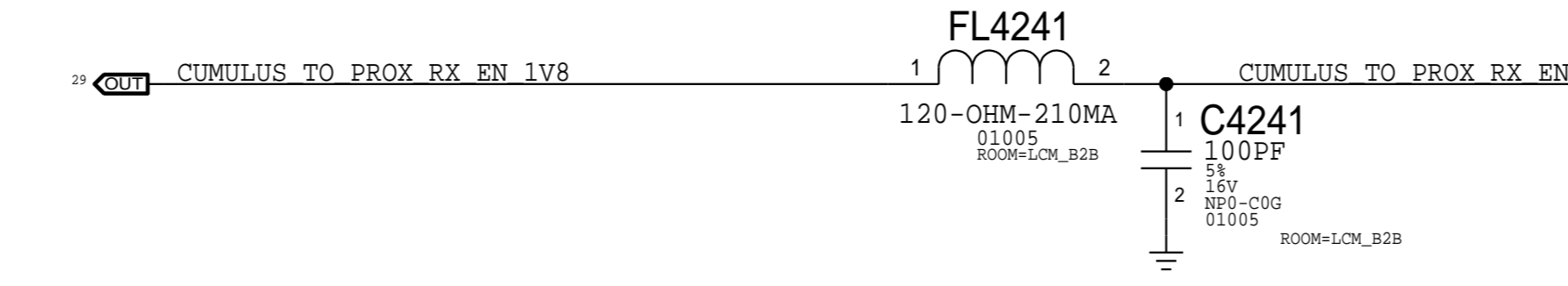
## DISPLAY CONTROL SIGNALS



## OWL TO TOUCH INTERFACE



## PROX TO TOUCH INTERFACE



SYNC_MASTER=N/A		SYNC_DATE=N/A	
PAGE TITLE			
<b>DISPLAY FLEX</b>			
	DRAWING NUMBER	051-00648	SIZE
	REVISION	4.0.0	D
NOTICE OF PROPRIETARY PROPERTY: THE INFORMATION CONTAINED HEREIN IS THE PROPRIETARY PROPERTY OF APPLE INC. THE POSSESSOR AGREES TO THE FOLLOWING: I TO MAINTAIN THIS DOCUMENT IN CONFIDENCE II NOT TO REPRODUCE OR COPY IT III NOT TO REVEAL OR PUBLISH IT IN WHOLE OR PART IV ALL RIGHTS RESERVED		BRANCH	
		PAGE	42 OF 49
		SHEET	28 OF 60



# D403 (B2B, DRIVER ICS)

## SAGE2 C0

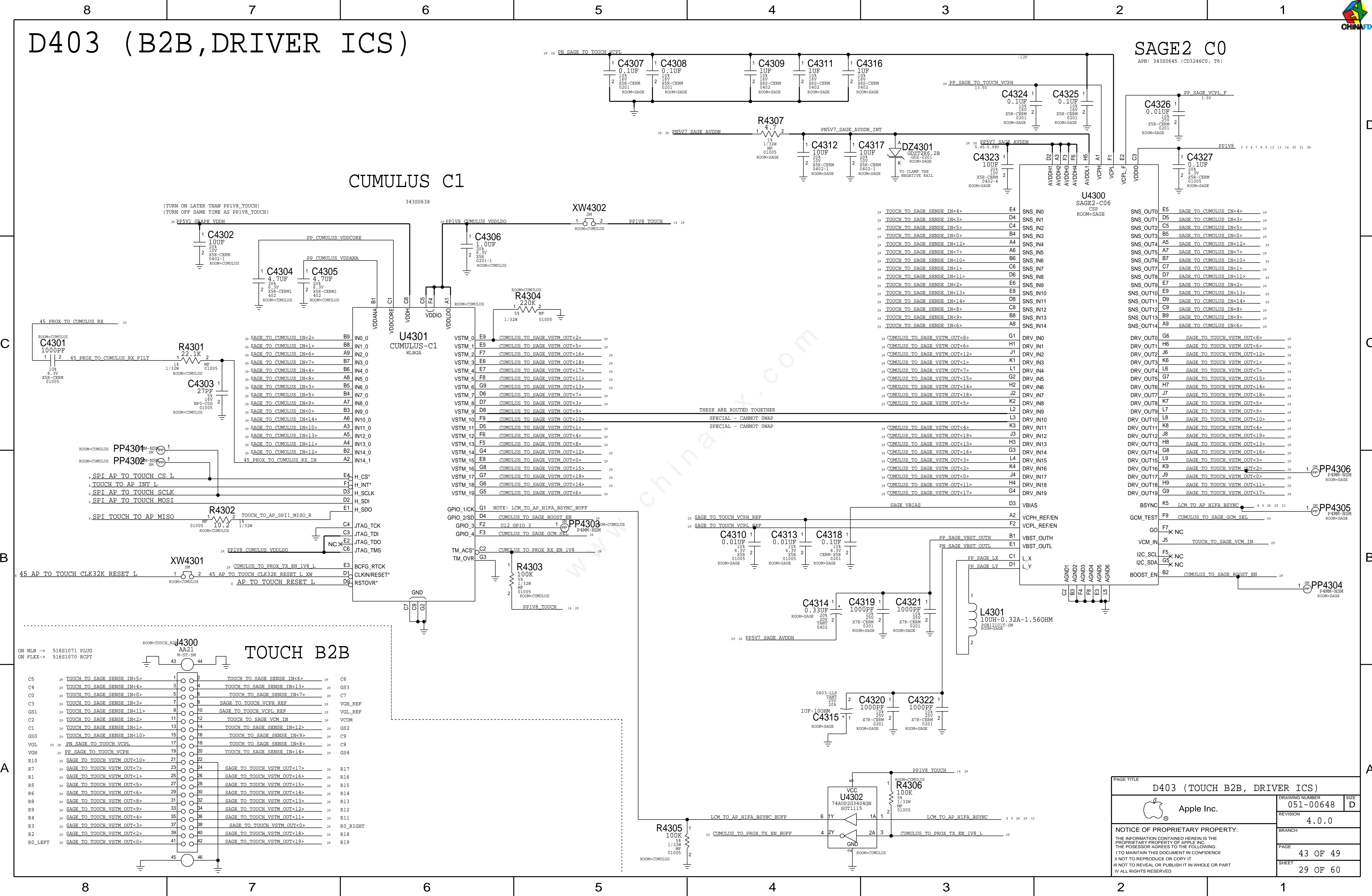
APN: 34350645 (CD3246C0, T6)

## CUMULUS C1

34350638

XW4302

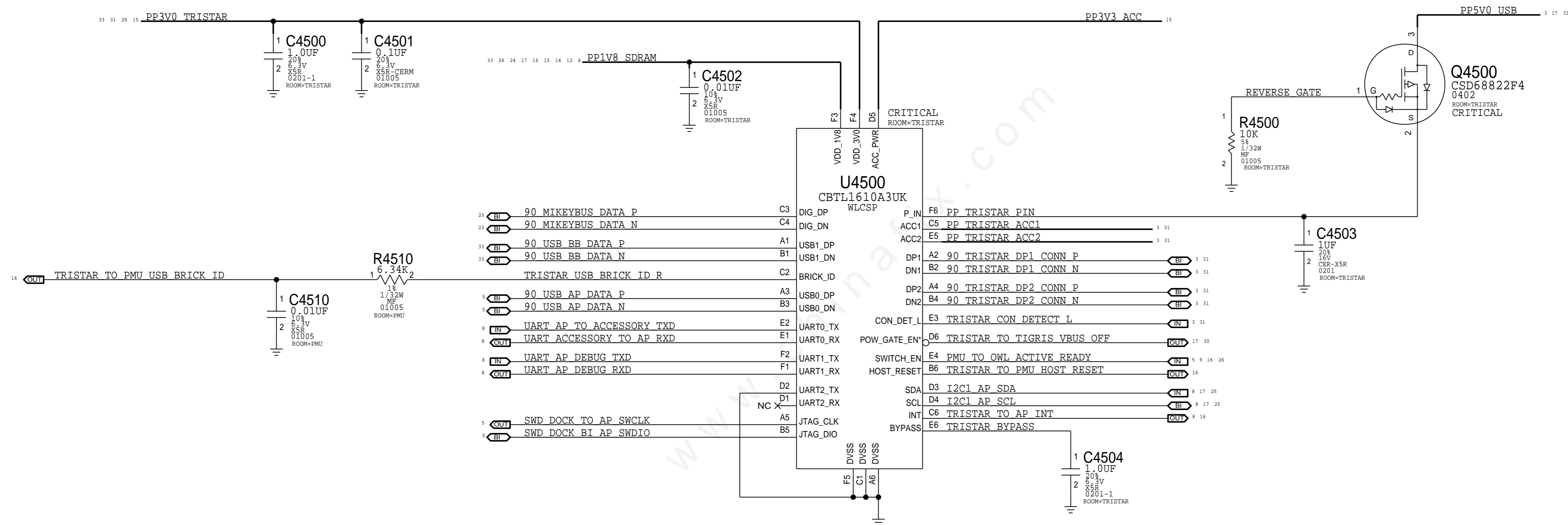
(TURN ON LATER THAN PP1V8\_TOUCH)  
(TURN OFF SAME TIME AS PP1V8\_TOUCH)



PAGE TITLE		D403 (TOUCH B2B, DRIVER ICS)	
		DRAWING NUMBER	051-00648
		REVISION	4.0.0
NOTICE OF PROPRIETARY PROPERTY:		BRANCH	
THE INFORMATION CONTAINED HEREIN IS THE PROPRIETARY PROPERTY OF APPLE INC. THE POSSESSOR AGREES TO THE FOLLOWING: I TO MAINTAIN THIS DOCUMENT IN CONFIDENCE I NOT TO REPRODUCE OR COPY IT I NOT TO REVEAL OR PUBLISH IT IN WHOLE OR PART I ALL RIGHTS RESERVED		PAGE	43 OF 49
		SHEET	29 OF 60

# TRISTAR 2 (A3)

APN: 343S0695



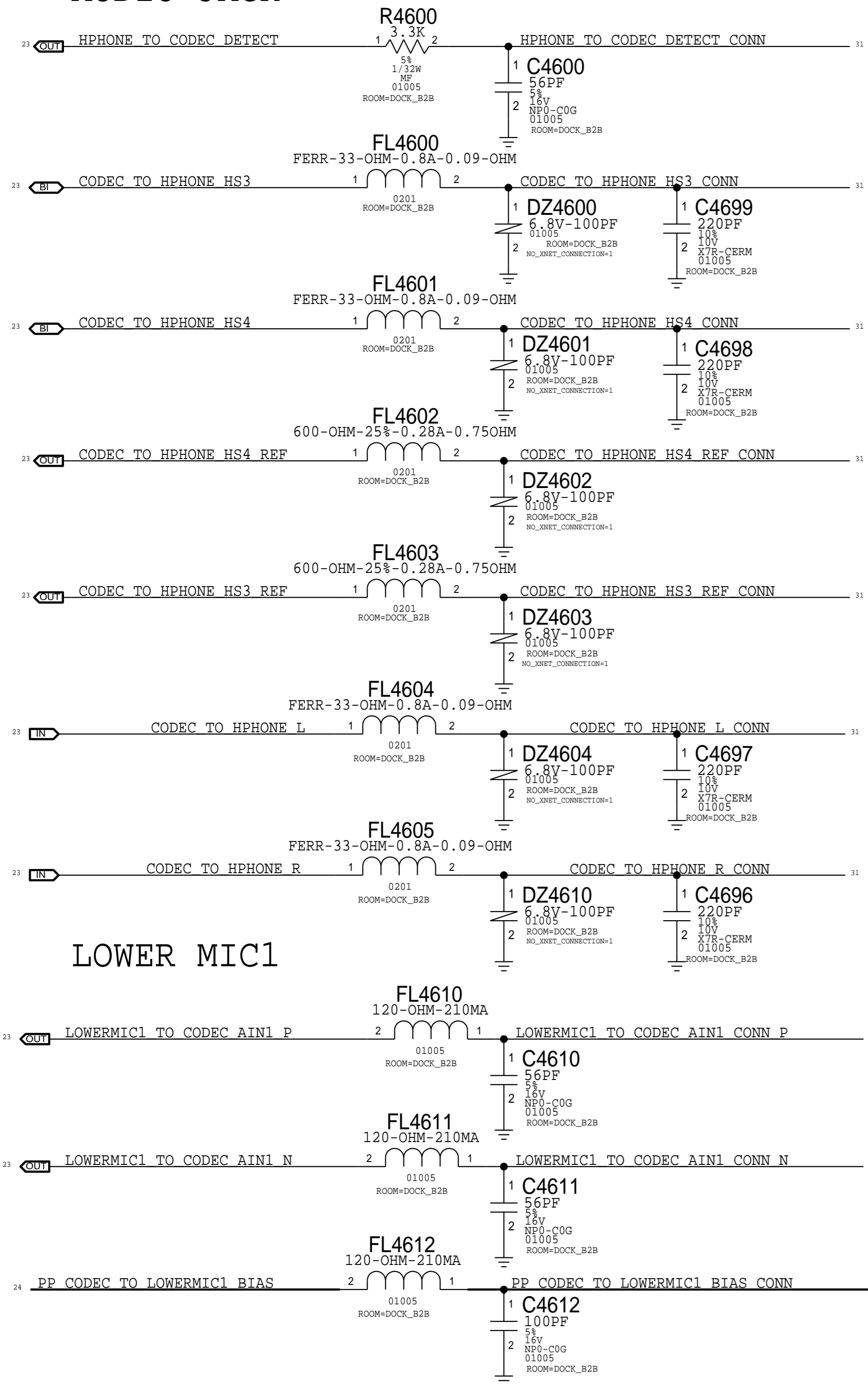
ROOM=TRISTAR  
P3MM-NSM  
30 17 TRISTAR TO TIGRIS VBUS OFF 1 PP4500

SYNC_MASTER=N/A		SYNC_DATE=N/A	
PAGE TITLE I/O:TRISTAR 2			
	DRAWING NUMBER	051-00648	SIZE D
	REVISION	4.0.0	
NOTICE OF PROPRIETARY PROPERTY: THE INFORMATION CONTAINED HEREIN IS THE PROPRIETARY PROPERTY OF APPLE INC. THE POSSESSOR AGREES TO THE FOLLOWING: I TO MAINTAIN THIS DOCUMENT IN CONFIDENCE II NOT TO REPRODUCE OR COPY IT III NOT TO REVEAL OR PUBLISH IT IN WHOLE OR PART IV ALL RIGHTS RESERVED			
BRANCH			
PAGE	45 OF 49		
SHEET	30 OF 60		

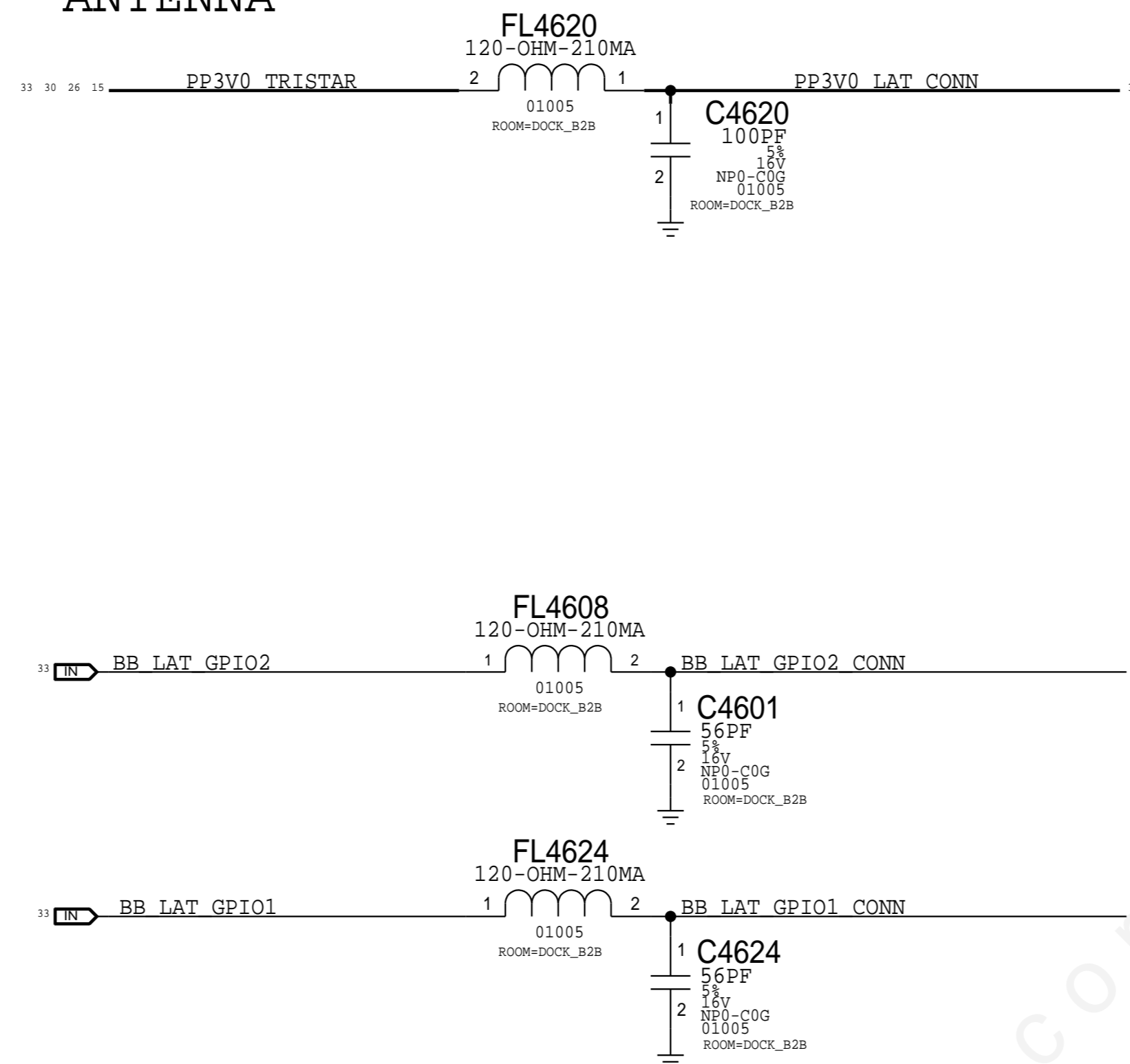


# DOCK FLEX CONNECTOR

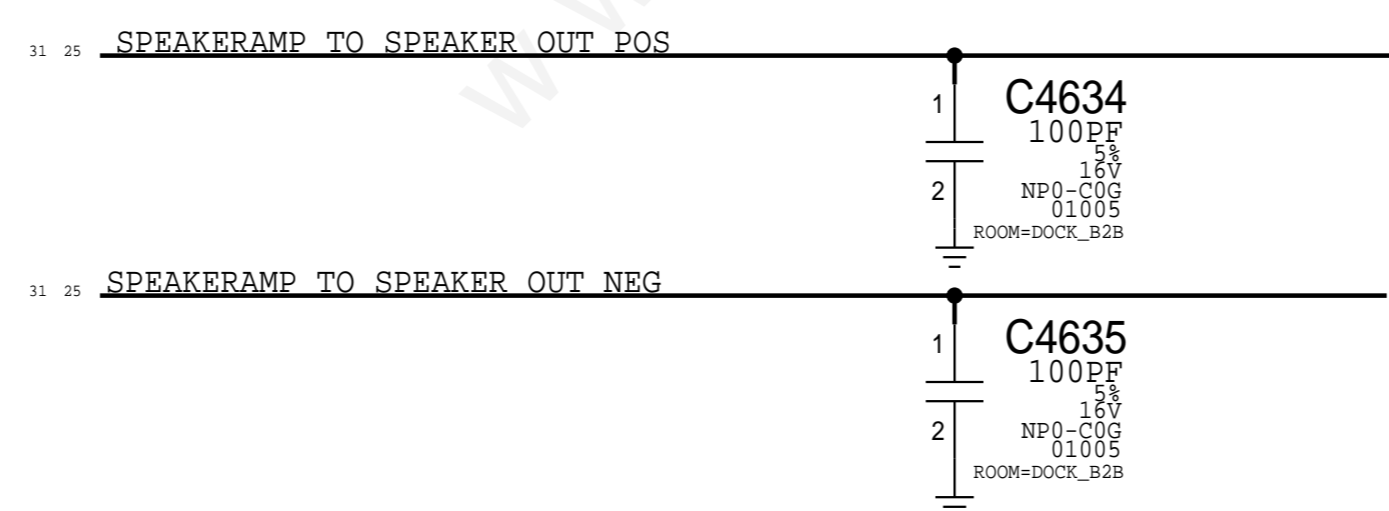
## AUDIO JACK



## ANTENNA

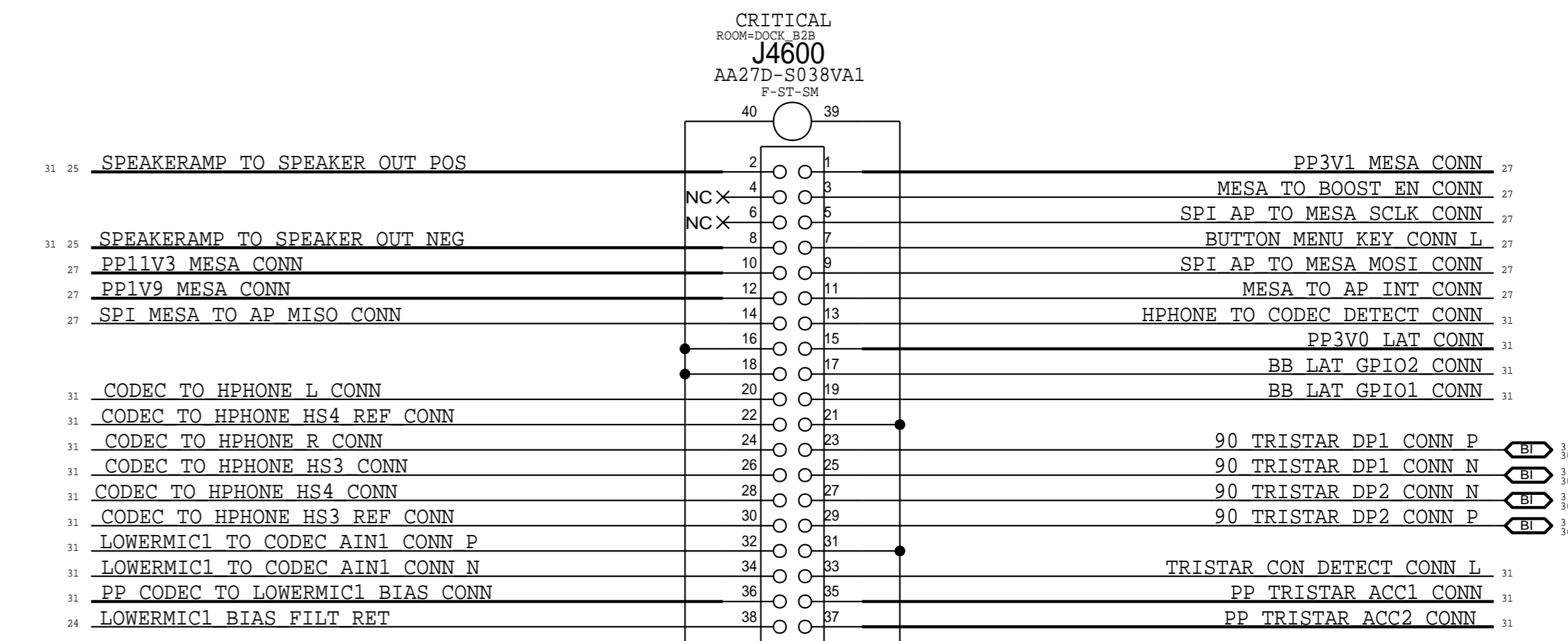


## SPEAKER

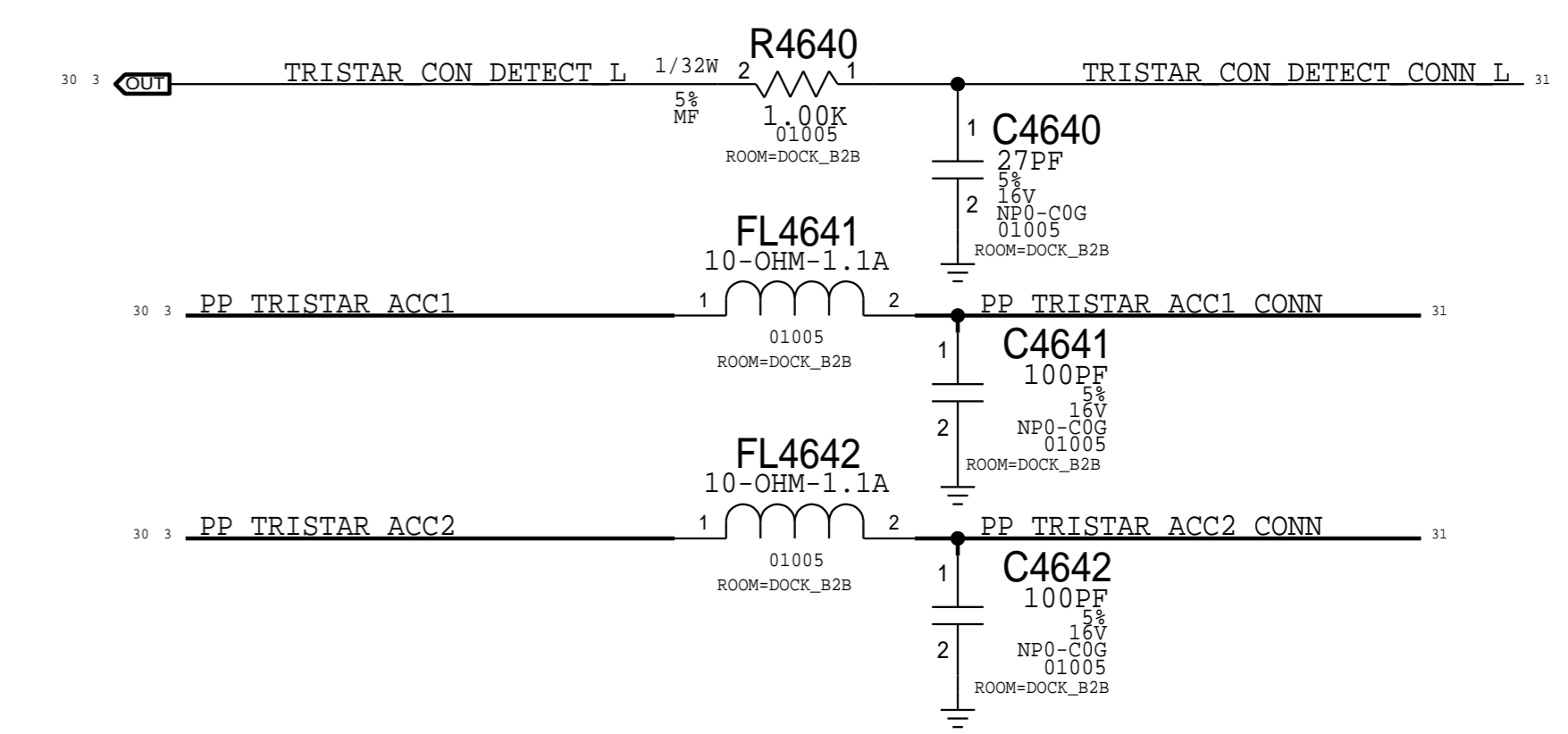


# DOCK FLEX CONNECTOR

THIS ONE ON MLB ----> 516S00116 (RCPT)  
516S00117 (PLUG)



## TRISTAR

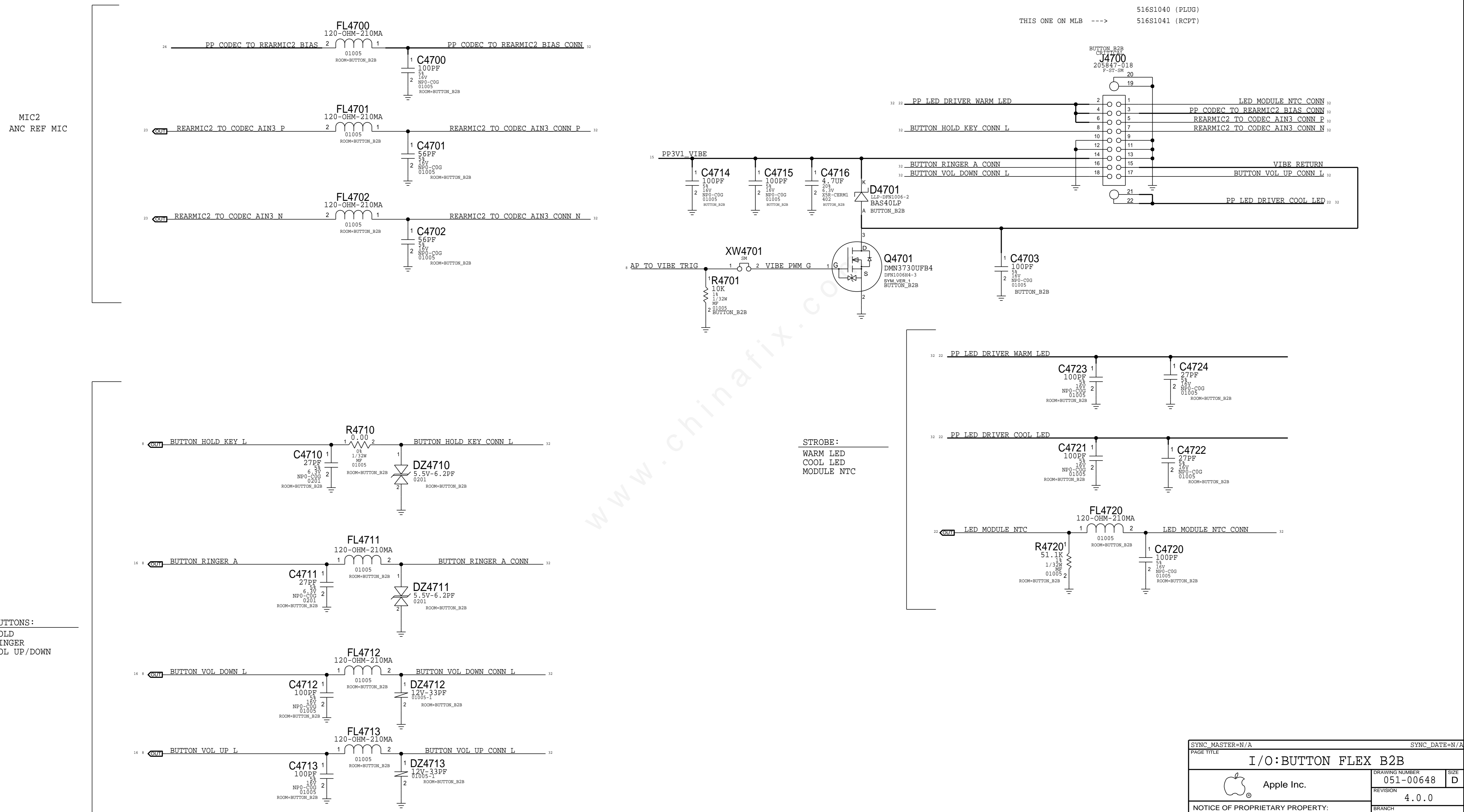


SYNC_MASTER=N/A		SYNC_DATE=N/A	
PAGE TITLE			
<b>I/O:DOCK FLEX B2B</b>			
	DRAWING NUMBER	051-00648	SIZE
	REVISION	4.0.0	D
NOTICE OF PROPRIETARY PROPERTY: THE INFORMATION CONTAINED HEREIN IS THE PROPRIETARY PROPERTY OF APPLE INC. THE POSSESSOR AGREES TO THE FOLLOWING: I TO MAINTAIN THIS DOCUMENT IN CONFIDENCE II NOT TO REPRODUCE OR COPY IT III NOT TO REVEAL OR PUBLISH IT IN WHOLE OR PART IV ALL RIGHTS RESERVED		BRANCH	
		PAGE	46 OF 49
		SHEET	31 OF 60

# BUTTON FLEX

## BUTTON FLEX CONNECTOR

THIS ONE ON MLB ---> 516S1040 (PLUG)  
516S1041 (RCPT)



BUTTONS:  
HOLD  
RINGER  
VOL UP/DOWN

STROBE:  
WARM LED  
COOL LED  
MODULE NTC

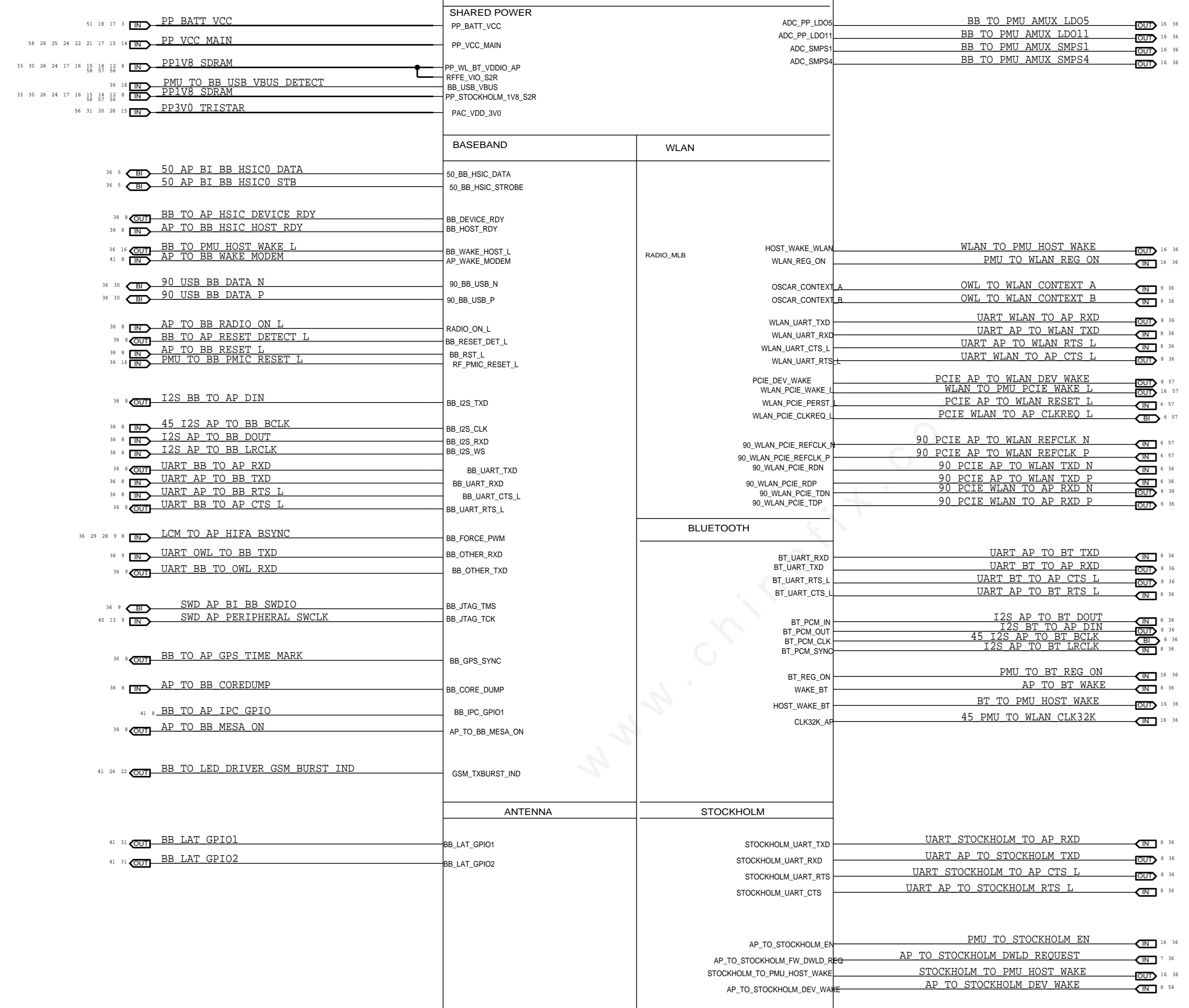
SYNC_MASTER=N/A		SYNC_DATE=N/A	
PAGE TITLE			
<b>I/O:BUTTON FLEX B2B</b>			
	DRAWING NUMBER	051-00648	SIZE
	REVISION	4.0.0	D
NOTICE OF PROPRIETARY PROPERTY: THE INFORMATION CONTAINED HEREIN IS THE PROPRIETARY PROPERTY OF APPLE INC. THE POSSESSOR AGREES TO THE FOLLOWING: I TO MAINTAIN THIS DOCUMENT IN CONFIDENCE II NOT TO REPRODUCE OR COPY IT III NOT TO REVEAL OR PUBLISH IT IN WHOLE OR PART IV ALL RIGHTS RESERVED		BRANCH	
		PAGE	47 OF 49
		SHEET	32 OF 60



# BASEBAND, WLAN, BT & STOCKHOLM

RF I566

## N69 CELLULAR/WLAN/BT/STOCKHOLM SUBDESIGN SYMBOL



SYNC_MASTER=N/A		SYNC_DATE=N/A	
PAGE TITLE			
<b>BASEBAND:RADIO SYMBOL</b>			
	DRAWING NUMBER	051-00648	SIZE D
	REVISION	4.0.0	
NOTICE OF PROPRIETARY PROPERTY: THE INFORMATION CONTAINED HEREIN IS THE PROPRIETARY PROPERTY OF APPLE INC. THE POSSESSOR AGREES TO THE FOLLOWING: I TO MAINTAIN THIS DOCUMENT IN CONFIDENCE II NOT TO REPRODUCE OR COPY IT III NOT TO REVEAL OR PUBLISH IT IN WHOLE OR PART IV ALL RIGHTS RESERVED		BRANCH	
		PAGE	49 OF 49
		SHEET	33 OF 60

8

7

6

5

4

3

2

1

- 1. ALL RESISTANCE VALUES ARE IN OHMS, 0.1 WATT +/- 5%.
- 2. ALL CAPACITANCE VALUES ARE IN MICROFARADS.
- 3. ALL CRYSTALS & OSCILLATOR VALUES ARE IN HERTZ.

REV	ECN	DESCRIPTION OF REVISION	CK APPD	DATE
4	0004752417	ENGINEERING RELEASED		2015-08-24

# N69 RADIO\_MLB SUBDESIGN - EVT


## 8/19/2015

LAST\_MODIFICATION=Wed Aug 19 10:34:24 2015

PAGE	<CSA>	CONTENTS	SYNC	DATE
34	1	page1		
35	3	CELL:ALIASES		
36	4	AP INTERFACE & DEBUG CONNECTORS		
37	5	BASEBAND PMU (1 OF 2)		
38	6	BASEBAND PMU (2 OF 2)		
39	7	BASEBAND (1 OF 2)		
40	8	BASEBAND (1 OF 2)		
41	9	MOBILE DATA MODEM (2 OF 2)		
42	10	RF TRANSCEIVER (1 OF 3)		
43	11	RF TRANSCEIVER (2 OF 3)		
44	12	RF TRANSCEIVER (3 OF 3)		
45	13	QFE DCDC		
46	15	2G PA		
47	20	VERY LOW BAND PAD		
48	21	LOW BAND PAD		
49	22	MID BAND PAD		
50	23	HIGH BAND PAD		
51	24	ANTENNA SWITCH		
52	30	HIGH BAND SWITCH		
53	31	RX DIVERSITY		
54	32	RX DIVERSITY (2)		
55	33	GPS		
56	35	ANTENNA FEEDS		
57	36	WIFI/BT: MODULE AND FRONT END		
58	37	STOCKHOLM		
59	40	OMIT_TABLE_RF		
60	41	Radio Subdesign Ports		
	42			
	43			
	45			

www.chinafix.com

?

DRAWING TITLE		SCH, MLB, N69	
 Apple Inc.	DRAWING NUMBER	051-00648	SIZE
	REVISION	4.0.0	D
NOTICE OF PROPRIETARY PROPERTY:		BRANCH	
THE INFORMATION CONTAINED HEREIN IS THE PROPRIETARY PROPERTY OF APPLE INC. THE POSSESSOR AGREES TO THE FOLLOWING: I TO MAINTAIN THIS DOCUMENT IN CONFIDENCE II NOT TO REPRODUCE OR COPY IT III NOT TO REVEAL OR PUBLISH IT IN WHOLE OR PART IV ALL RIGHTS RESERVED		PAGE	
		1 OF 55	
		SHEET	
		34 OF 60	

8

7

6

5

4

3

2

1





8

7

6

5

4

3

2

1

BLANK PAGE

D

D

C

C

B

B

A

A

www.chinafix.com

8

7

6


5

4

3

2

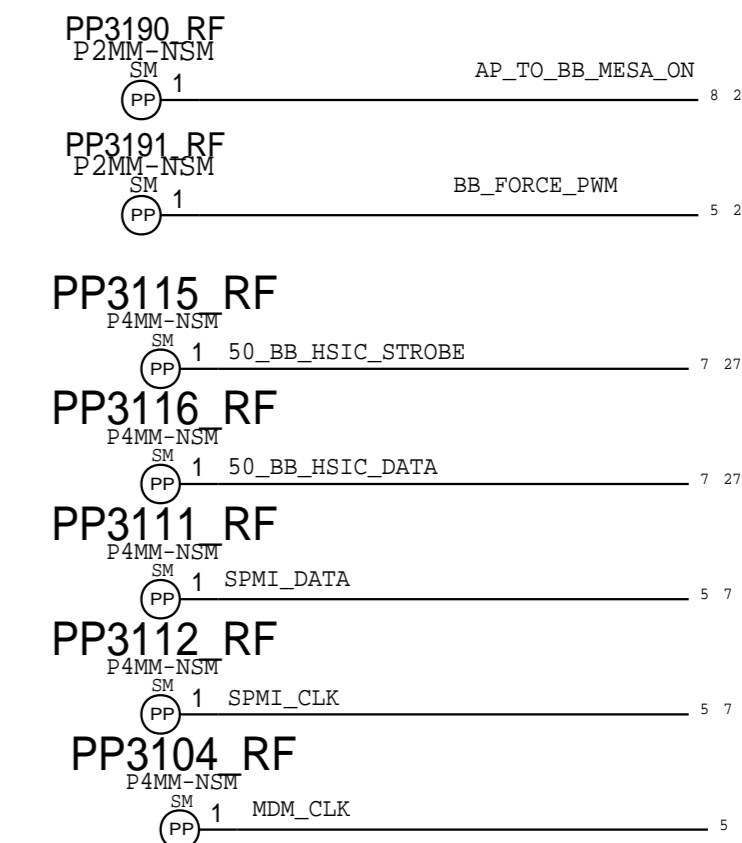
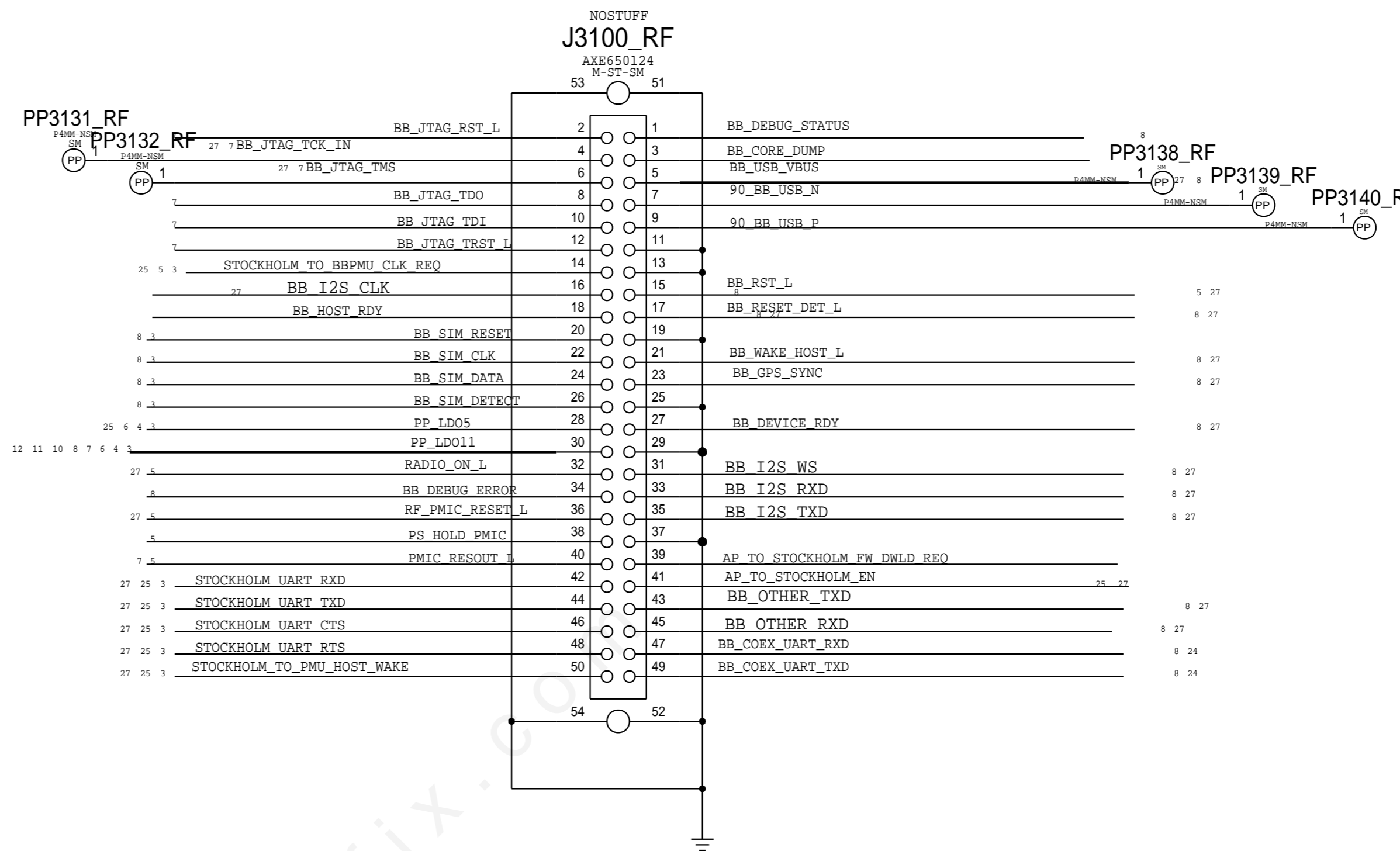
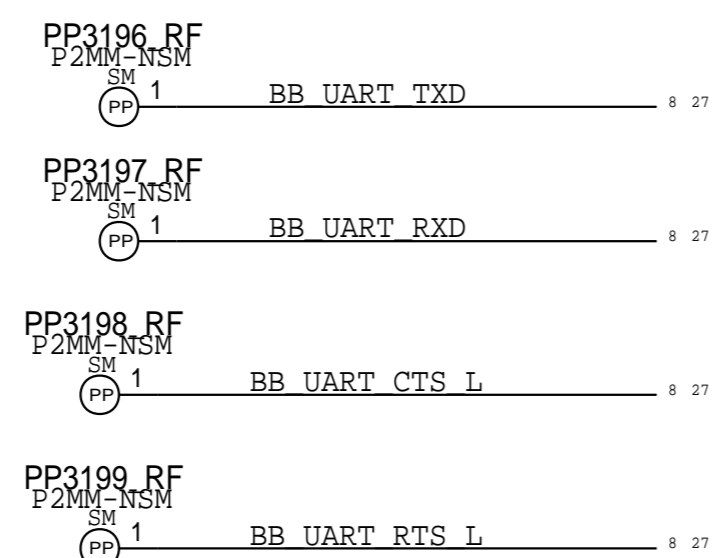
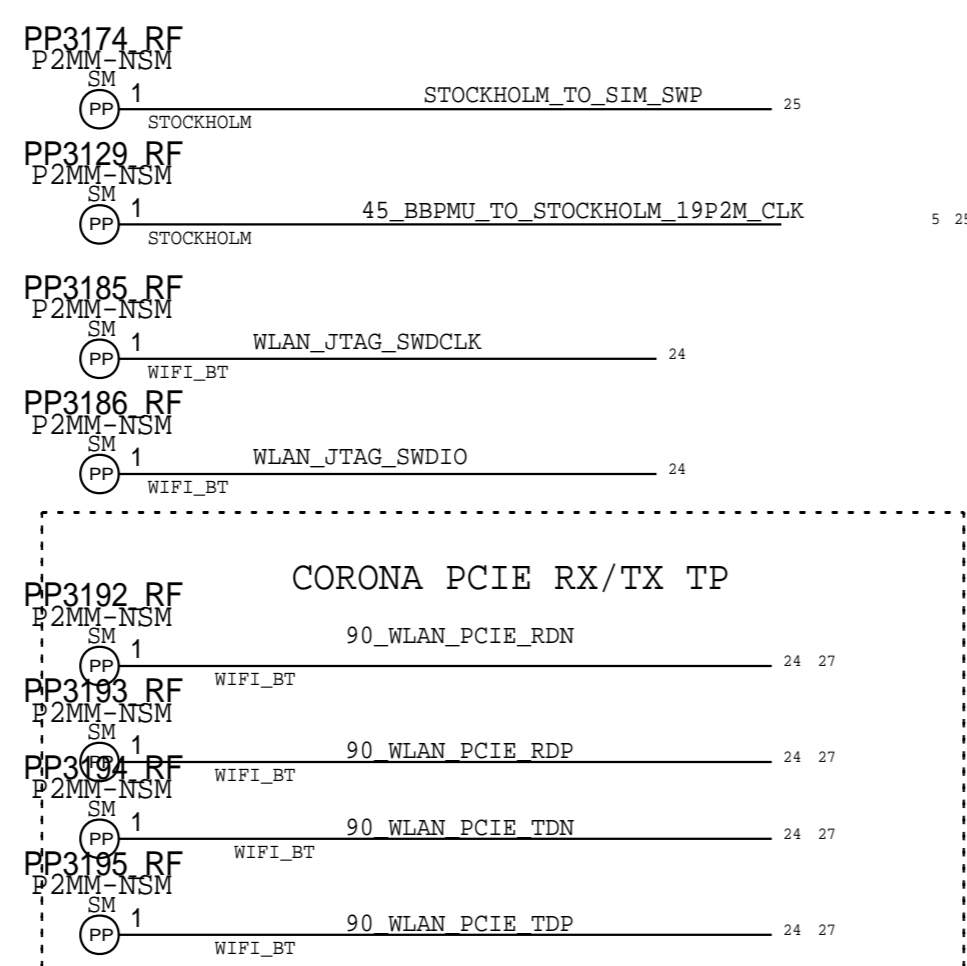
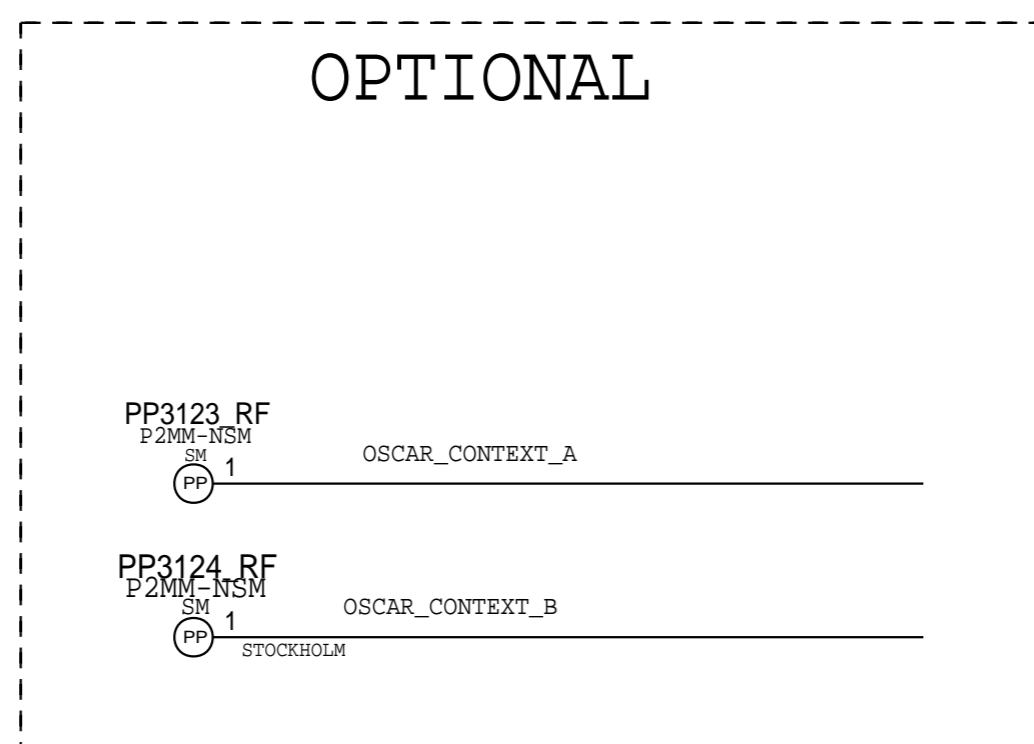
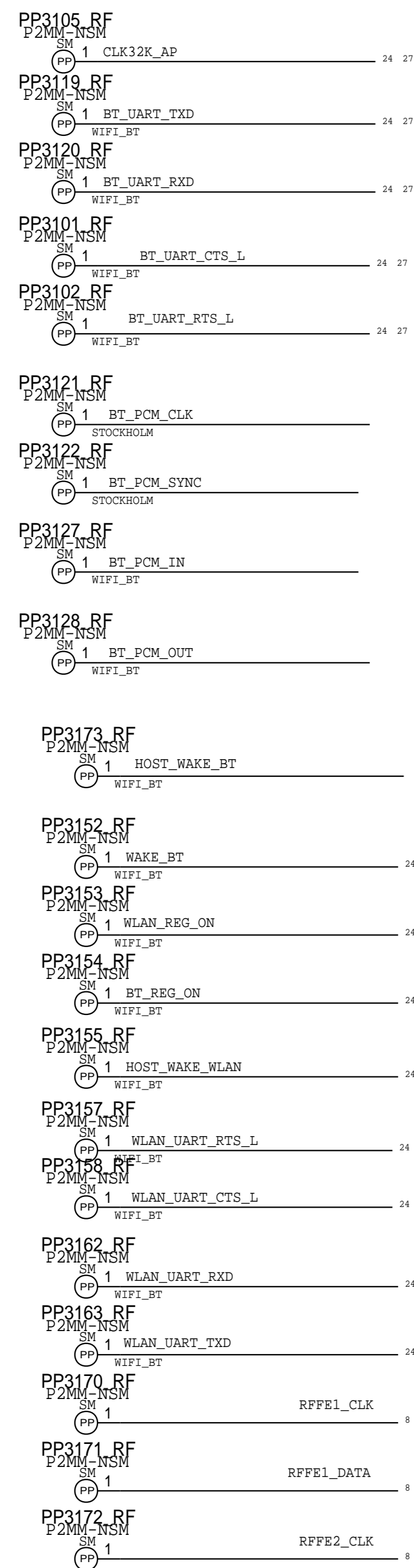
1

PAGE TITLE		CELL:ALIASES	
 Apple Inc.	DRAWING NUMBER	051-00648	SIZE
	REVISION	4.0.0	D
NOTICE OF PROPRIETARY PROPERTY:		BRANCH	
THE INFORMATION CONTAINED HEREIN IS THE PROPRIETARY PROPERTY OF APPLE INC. THE POSSESSOR AGREES TO THE FOLLOWING: I TO MAINTAIN THIS DOCUMENT IN CONFIDENCE II NOT TO REPRODUCE OR COPY IT III NOT TO REVEAL OR PUBLISH IT IN WHOLE OR PART IV ALL RIGHTS RESERVED		PAGE	
		30 OF 55	
		SHEET	
		35 OF 60	

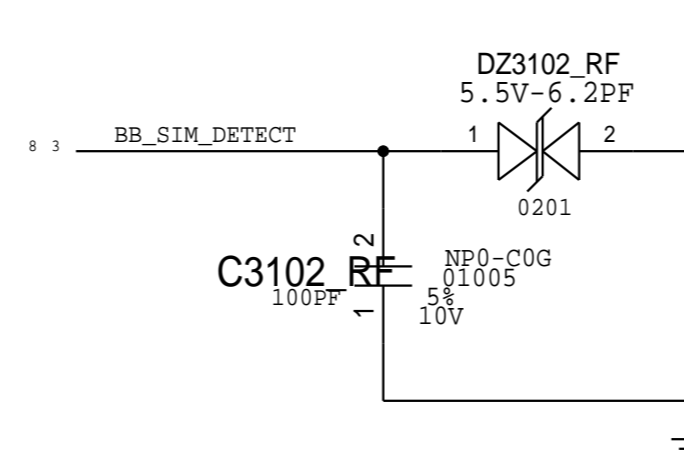
# AP INTERFACE & DEBUG CONNECTORS

NOT UNDER SIM

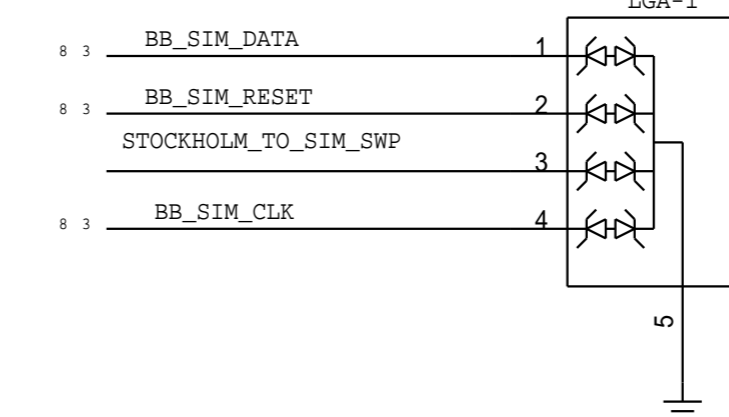
UNDER THE SIM



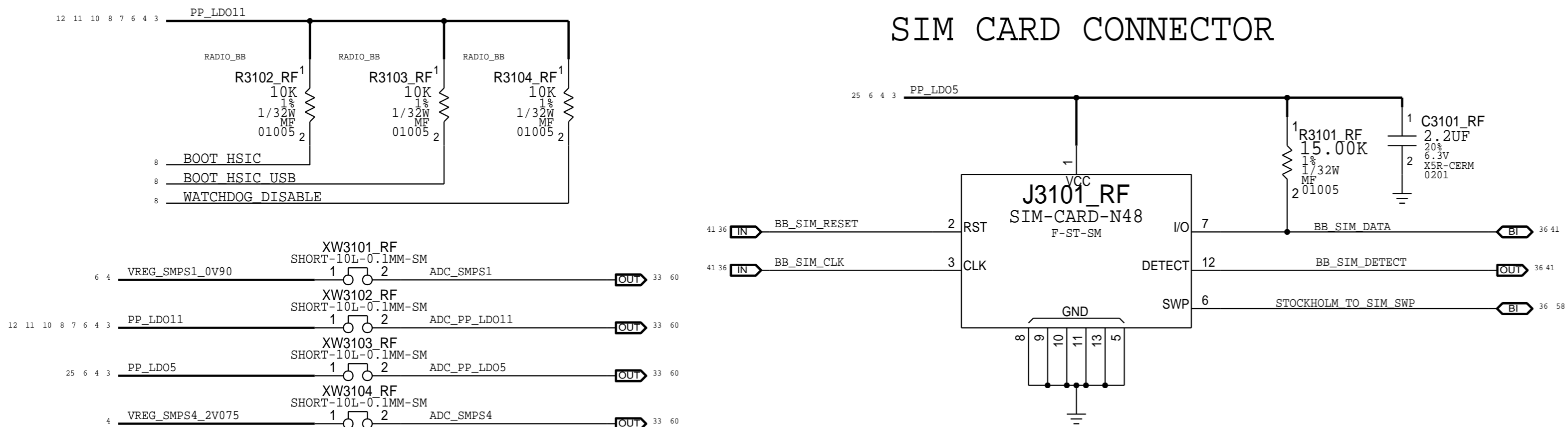
## SIM CARD ESD PROTECTION



## VR3101\_RF



## SIM CARD CONNECTOR



PART NUMBER	ALTERNATE FOR PART NUMBER	BOM OPTION	REF DES	COMMENTS:
377S0163	371S00044	ALTERNATE	VR3101	ESD ALTERNATIVE

SYNC_MASTER=N/A		SYNC_DATE=N/A	
PAGE TITLE AP INTERFACE & DEBUG CONNECTORS			
DRAWING NUMBER 051-00648		SIZE D	
REVISION 4.0.0		BRANCH	
PAGE 31 OF 55		SHEET 36 OF 60	
NOTICE OF PROPRIETARY PROPERTY: THE INFORMATION CONTAINED HEREIN IS THE PROPRIETARY PROPERTY OF APPLE INC. THE POSSESSOR AGREES TO THE FOLLOWING: I TO MAINTAIN THIS DOCUMENT IN CONFIDENCE I NOT TO REPRODUCE OR PUBLISH IT IN WHOLE OR PART I NOT TO REVEAL OR PUBLISH IT IN WHOLE OR PART IV ALL RIGHTS RESERVED			

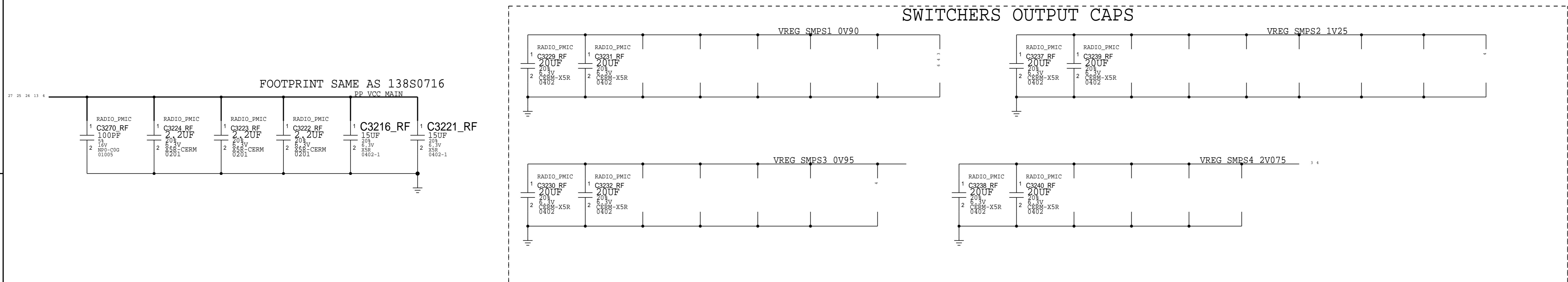


# BASEBAND PMU (1 OF 2)

CONFIDENTIAL AND PROPRIETARY APPLE SYSTEM DESIGN. FOR REFERENCE PURPOSES ONLY - NOT A CHANGE REQUEST.

D

D

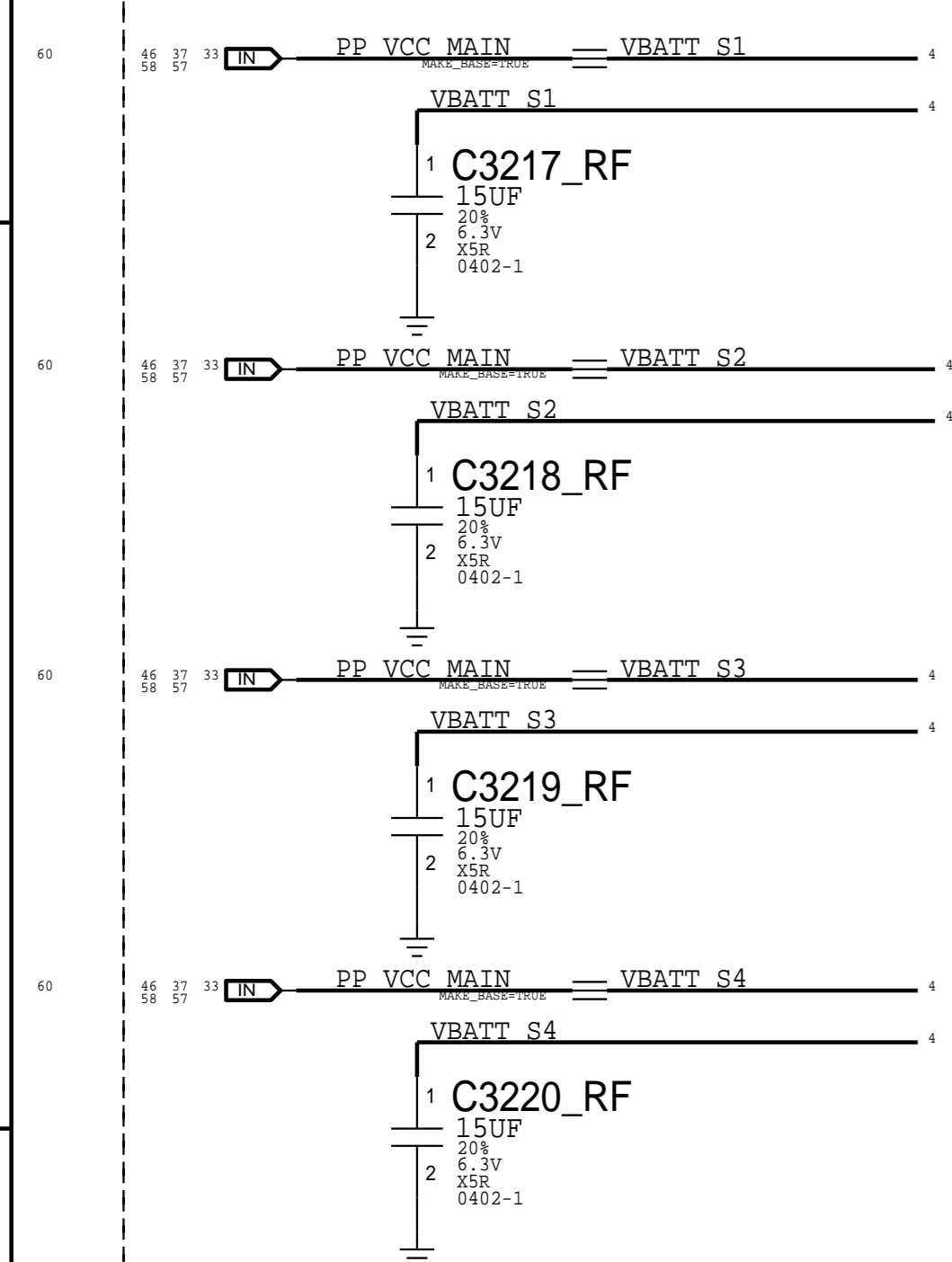


C

C

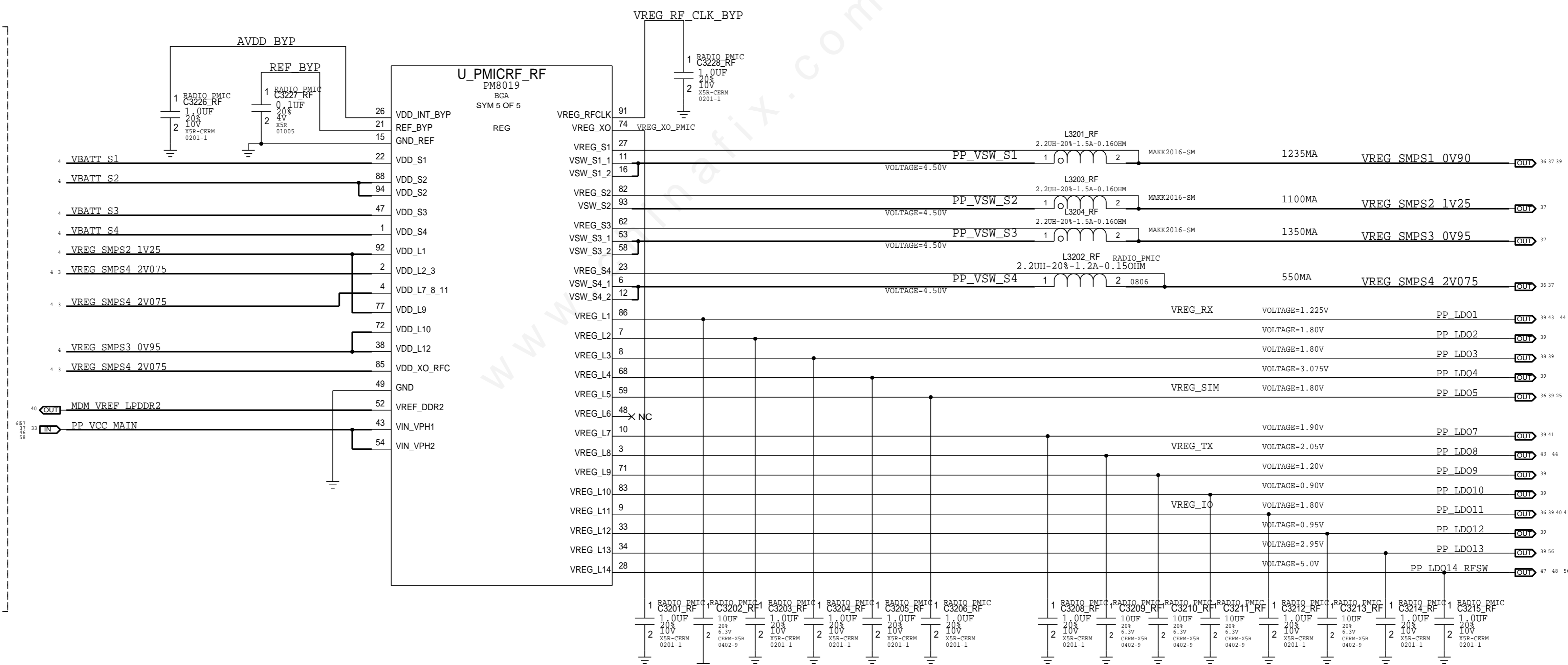
## SWITCHERS BULK CAPS

FOOTPRINT SAME AS 138S0716



B

B



A

A

PAGE TITLE: BASEBAND PMU (1 OF 2)

Apple Inc.

DRAWING NUMBER: 051-00648

REVISION: 4.0.0

NOTICE OF PROPRIETARY PROPERTY:  
 THE INFORMATION CONTAINED HEREIN IS THE PROPRIETARY PROPERTY OF APPLE INC. THE POSSESSOR AGREES TO THE FOLLOWING:  
 I TO MAINTAIN THIS DOCUMENT IN CONFIDENCE  
 II NOT TO REPRODUCE OR COPY IT  
 III NOT TO REVEAL OR PUBLISH IT IN WHOLE OR PART  
 IV ALL RIGHTS RESERVED

BRANCH:

PAGE: 32 OF 55

SHEET: 37 OF 60



# BASEBAND PMU (2 OF 2)

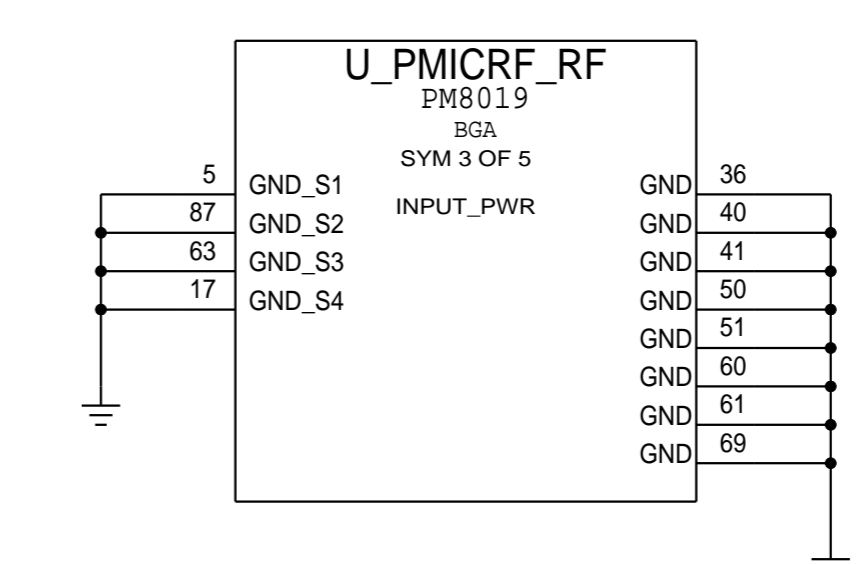
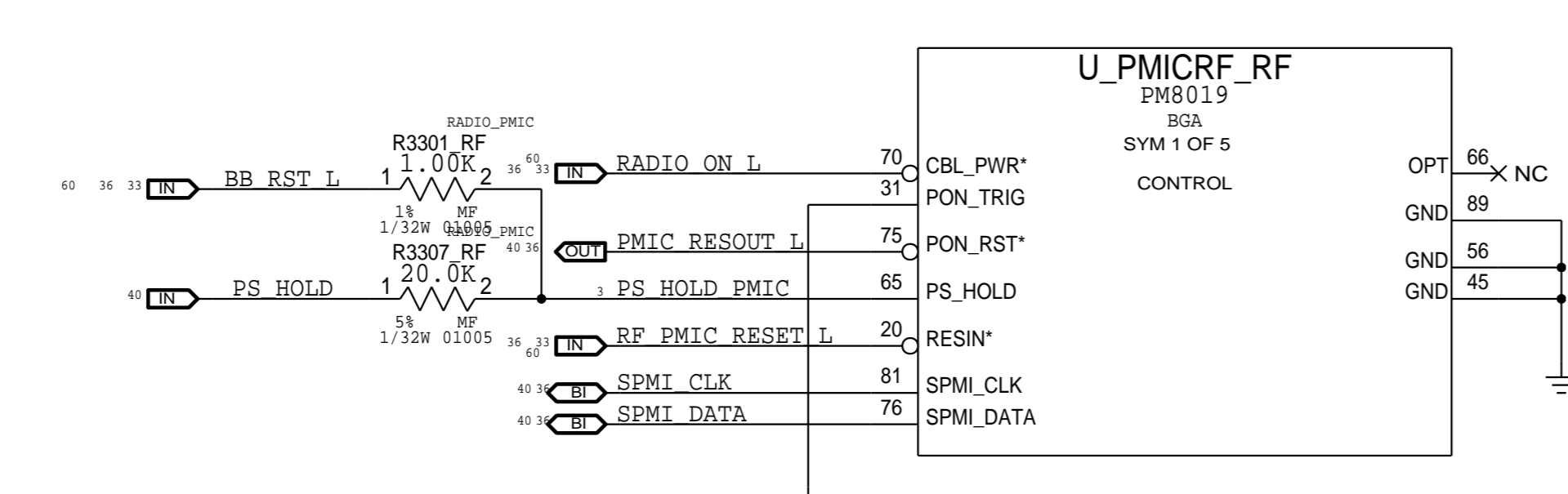
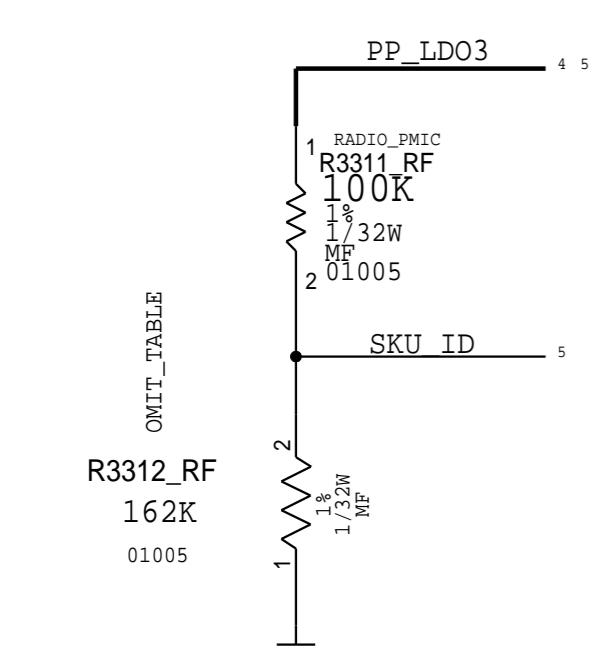
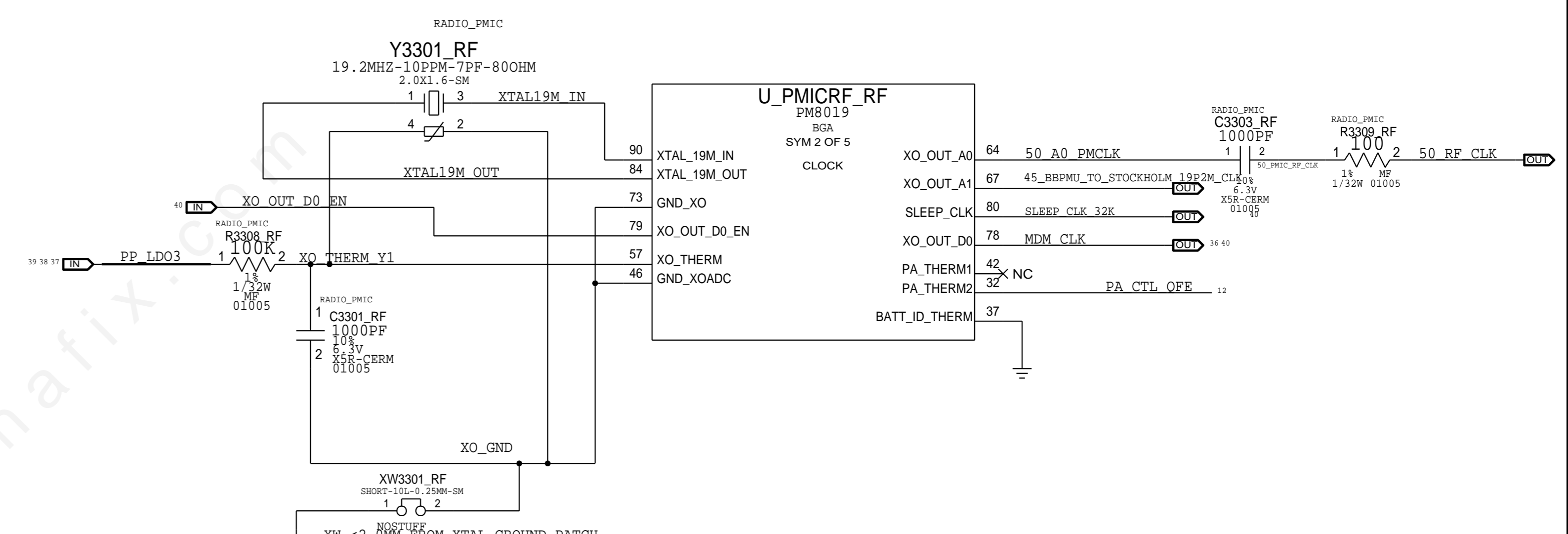
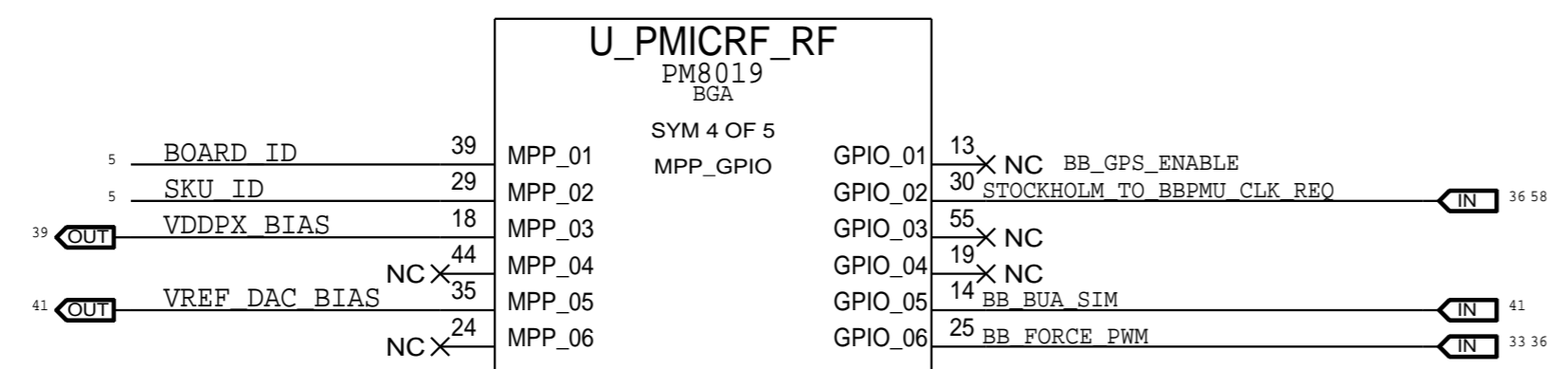
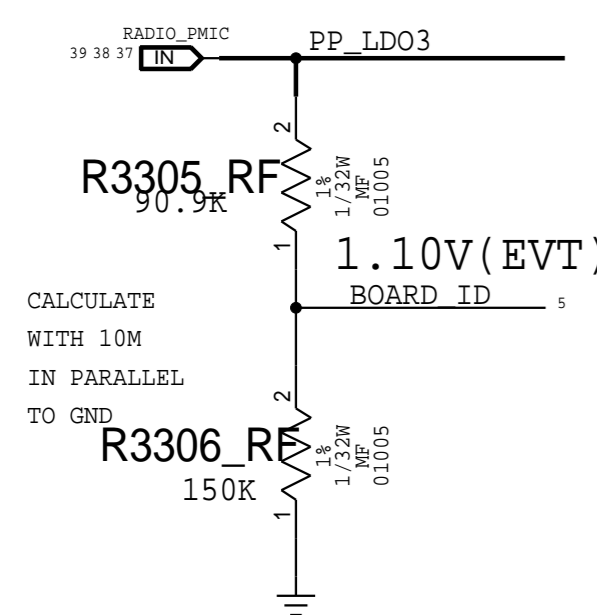
CONFIDENTIAL AND PROPRIETARY APPLE SYSTEM DESIGN. FOR REFERENCE PURPOSES ONLY - NOT A CHANGE REQUEST.

C401
R411
L400
U404

BOARD_ID	REVISION
0.00V	N69/69H PRE-PROTO
0.50V	SPARE
0.70V	N69/69H PROTO1
0.90V	N69/69H PROTO2
1.10V	N69/69H EVT1
1.30V	N69/69H EVT2
1.40V	SPARE
1.50V	N69/69H DVT
1.60V	SPARE
1.70V	N69/69H PVT

SKU_ID	REVISION
0.5V	N69
1.1V	N69H

PART NUMBER	ALTERNATE FOR PART NUMBER	BOM OPTION	REF DES	COMMENTS
19780565	19780593	ALTERNATE	Y3301_RF	XTAL 19MHZ
19780598	19780593	ALTERNATE	Y3301_RF	XTAL 19MHZ



PAGE TITLE <b>BASEBAND PMU (2 OF 2)</b>		
	DRAWING NUMBER 051-00648	SIZE D
	REVISION 4.0.0	BRANCH
NOTICE OF PROPRIETARY PROPERTY: THE INFORMATION CONTAINED HEREIN IS THE PROPRIETARY PROPERTY OF APPLE INC. THE POSSESSOR AGREES TO THE FOLLOWING: I TO MAINTAIN THIS DOCUMENT IN CONFIDENCE II NOT TO REPRODUCE OR COPY IT III NOT TO REVEAL OR PUBLISH IT IN WHOLE OR PART IV ALL RIGHTS RESERVED		
PAGE 33 OF 55	SHEET 38 OF 60	





# BASEBAND (1 OF 3)

CONFIDENTIAL AND PROPRIETARY APPLE SYSTEM DESIGN. FOR REFERENCE PURPOSES ONLY - NOT A CHANGE REQUEST.

C538
R500
L500
U502

D

C

B

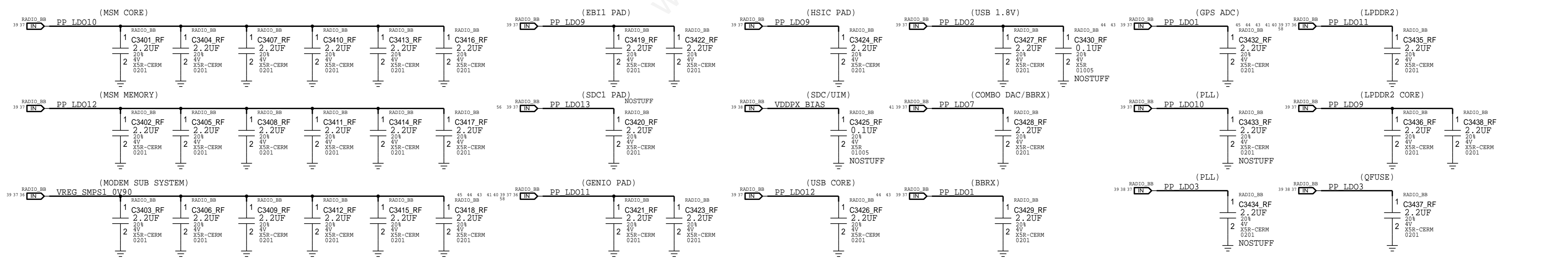
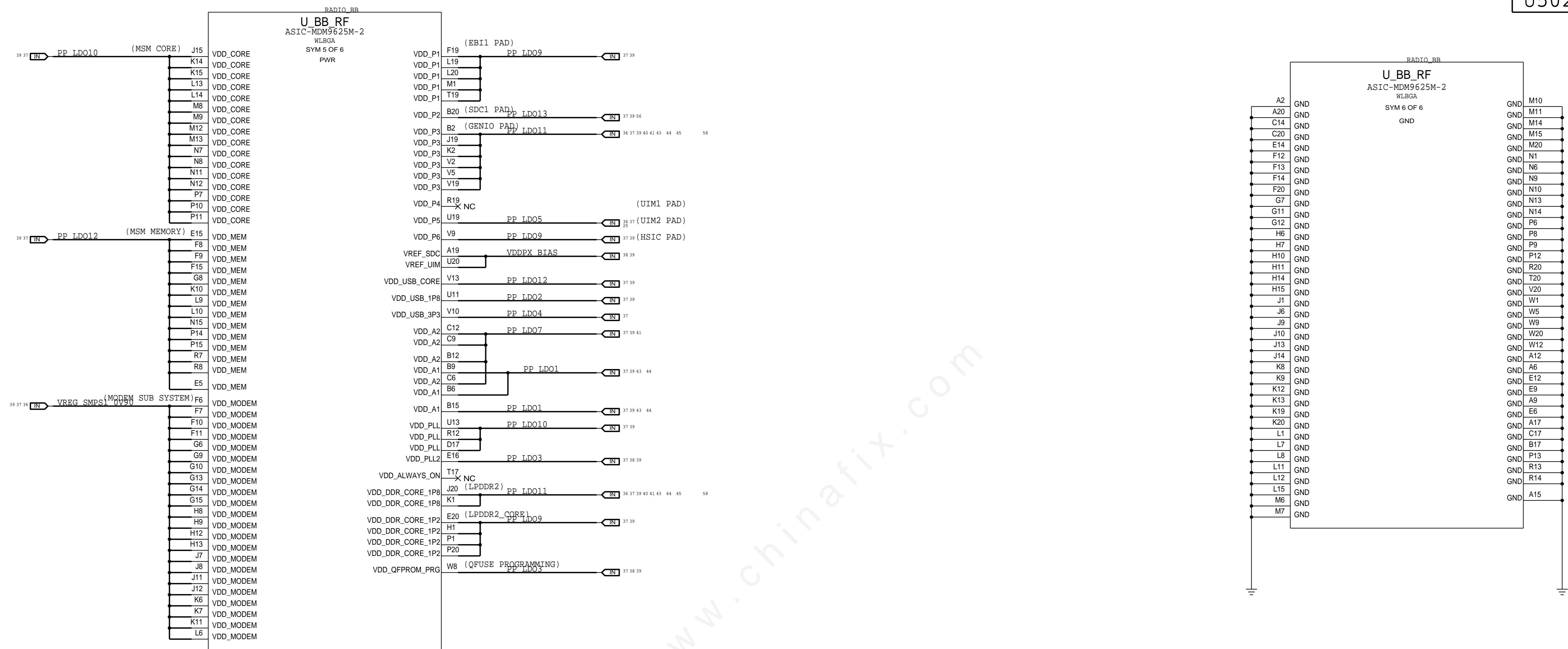
A

D

C

B

A



PAGE TITLE		
BASEBAND (1 OF 2)		
Apple Inc.		DRAWING NUMBER: 051-00648
REVISION: 4.0.0		SIZE: D
NOTICE OF PROPRIETARY PROPERTY:		
THE INFORMATION CONTAINED HEREIN IS THE PROPRIETARY PROPERTY OF APPLE INC. THE POSSESSOR AGREES TO THE FOLLOWING:		
I TO MAINTAIN THIS DOCUMENT IN CONFIDENCE		
II NOT TO REPRODUCE OR COPY IT		
III NOT TO REVEAL OR PUBLISH IT IN WHOLE OR PART		
IV ALL RIGHTS RESERVED		
BRANCH:	PAGE: 34 OF 55	SHEET: 39 OF 60

# BASEBAND (2 OF 3)

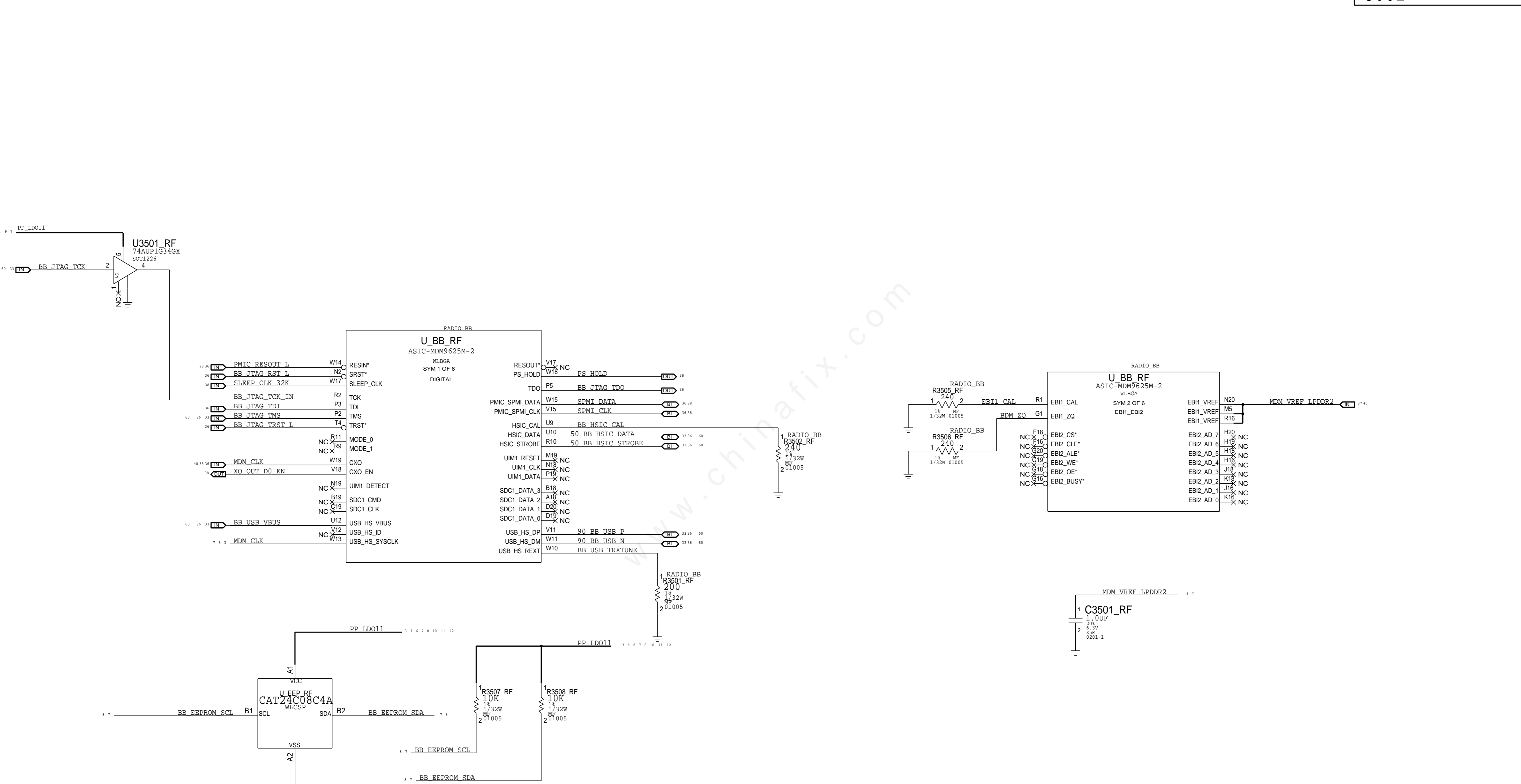
CONFIDENTIAL AND PROPRIETARY APPLE SYSTEM DESIGN. FOR REFERENCE PURPOSES ONLY - NOT A CHANGE REQUEST.

C600  
R606  
L600  
U602



D  
C  
B  
A

D  
C  
B  
A



PAGE TITLE		BASEBAND (1 OF 2)	
Apple Inc.	DRAWING NUMBER	051-00648	SIZE
	REVISION	4.0.0	D
NOTICE OF PROPRIETARY PROPERTY: THE INFORMATION CONTAINED HEREIN IS THE PROPRIETARY PROPERTY OF APPLE INC. THE POSSESSOR AGREES TO THE FOLLOWING: I TO MAINTAIN THIS DOCUMENT IN CONFIDENCE II NOT TO REPRODUCE OR COPY IT III NOT TO REVEAL OR PUBLISH IT IN WHOLE OR PART IV ALL RIGHTS RESERVED		BRANCH	
		PAGE	35 OF 55
		SHEET	40 OF 60

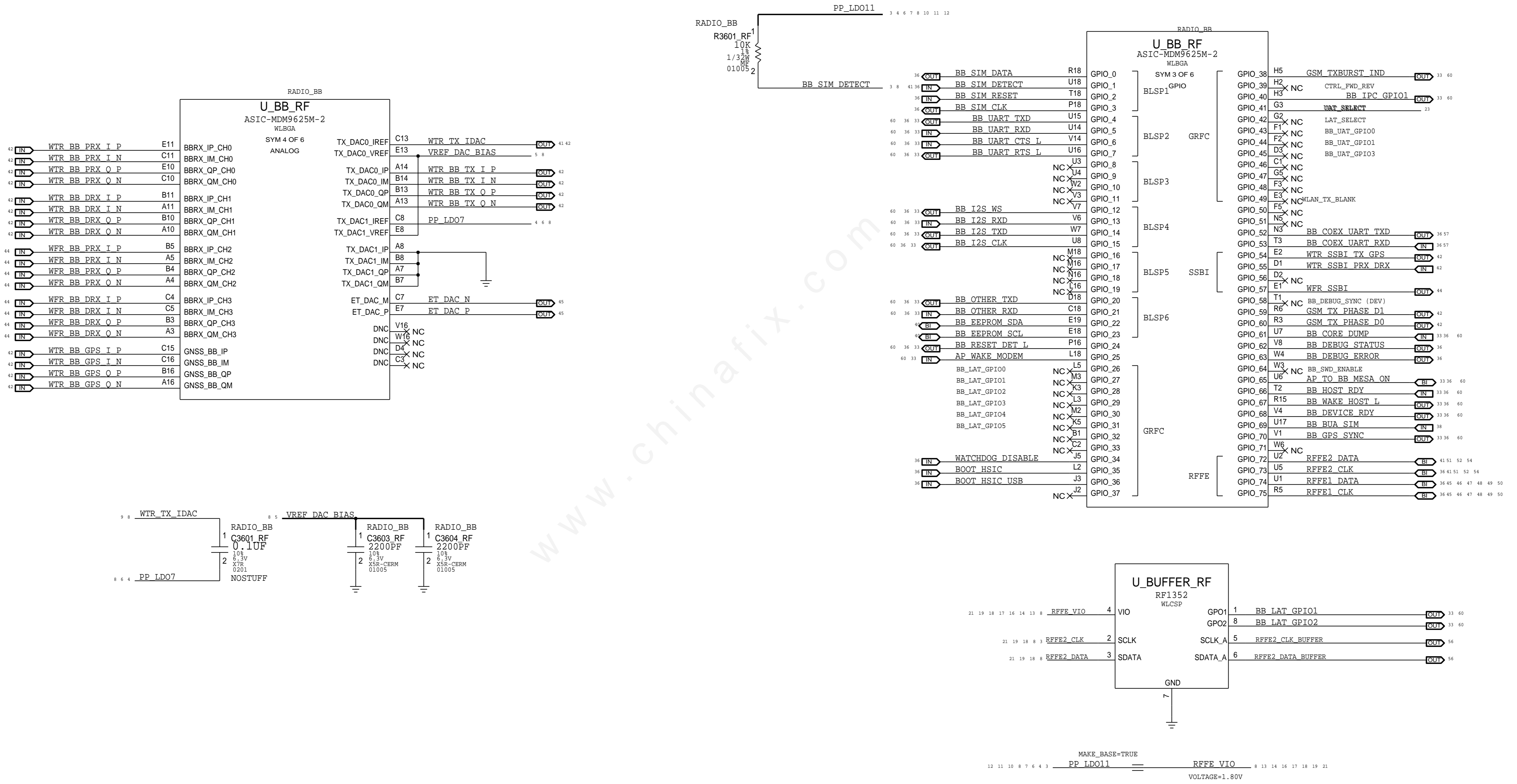
8 7 6 5 4 3 2 1



# BASEBAND (3 OF 3)

CONFIDENTIAL AND PROPRIETARY APPLE SYSTEM DESIGN. FOR REFERENCE PURPOSES ONLY - NOT A CHANGE REQUEST.

C704
R700
L700
U702



MOBILE DATA MODEM (2 OF 2)	
Apple Inc.	DRAWING NUMBER 051-00648 SIZE D
REVISION 4.0.0	BRANCH
PAGE 36 OF 55	SHEET 41 OF 60
NOTICE OF PROPRIETARY PROPERTY: THE INFORMATION CONTAINED HEREIN IS THE PROPRIETARY PROPERTY OF APPLE INC. THE POSSESSOR AGREES TO THE FOLLOWING: I TO MAINTAIN THIS DOCUMENT IN CONFIDENCE II NOT TO REPRODUCE OR COPY IT III NOT TO REVEAL OR PUBLISH IT IN WHOLE OR PART IV ALL RIGHTS RESERVED	

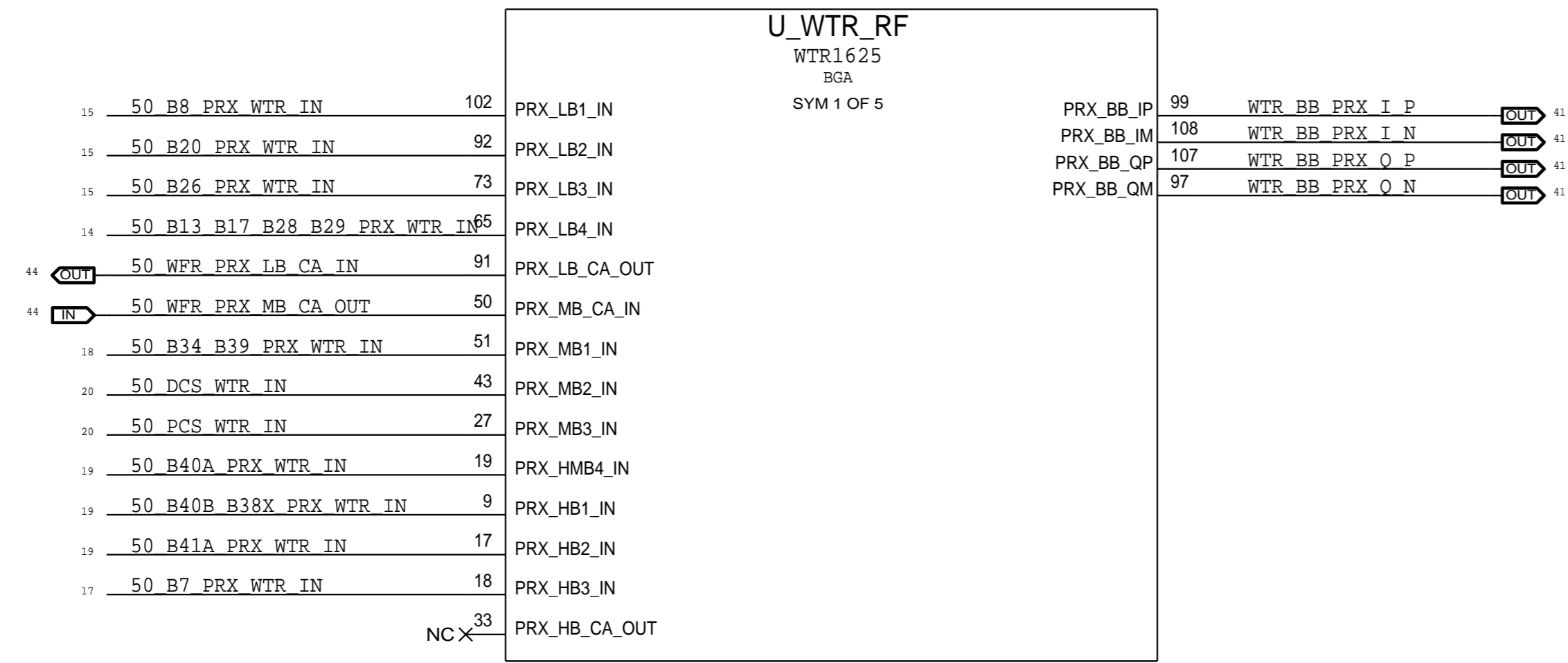
# WTR TRANSCEIVER (1 OF 2)

CONFIDENTIAL AND PROPRIETARY APPLE SYSTEM DESIGN. FOR REFERENCE PURPOSES ONLY - NOT A CHANGE REQUEST.

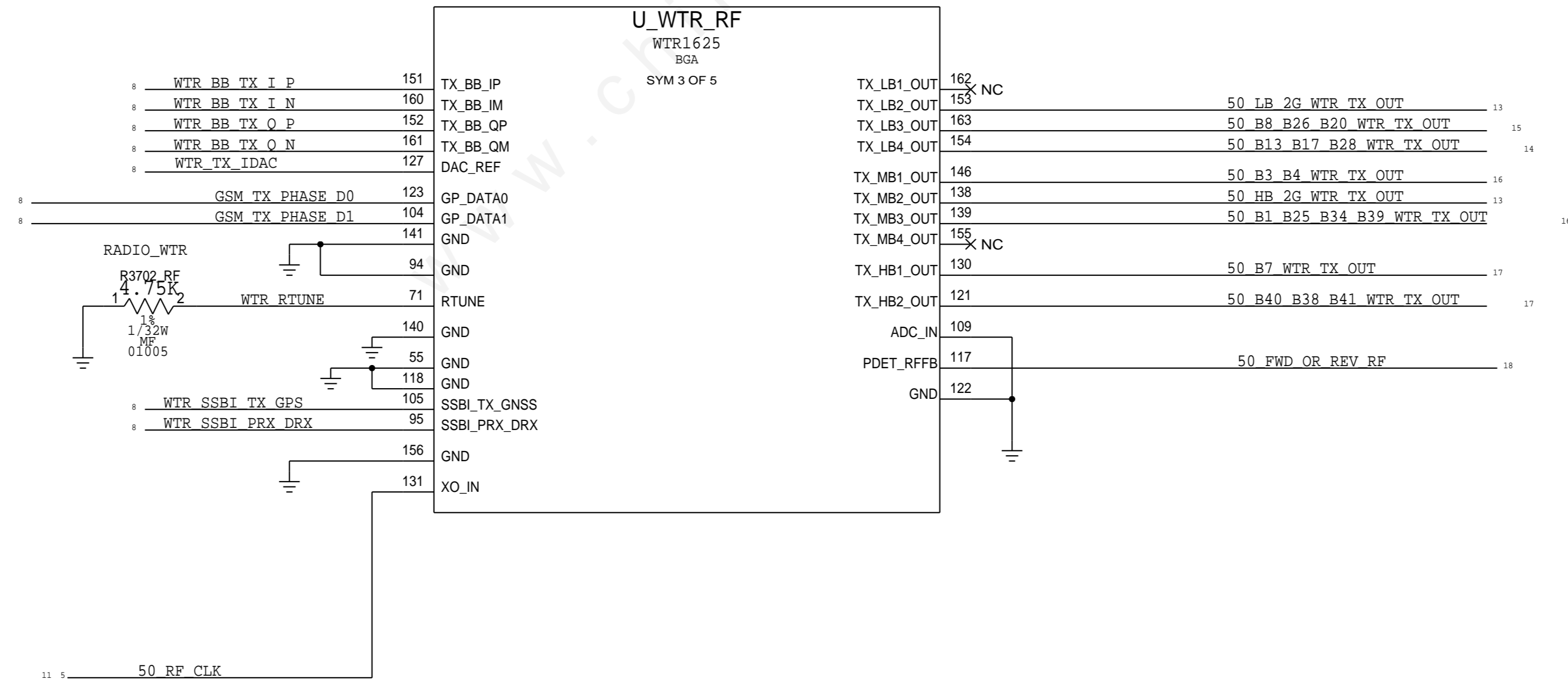
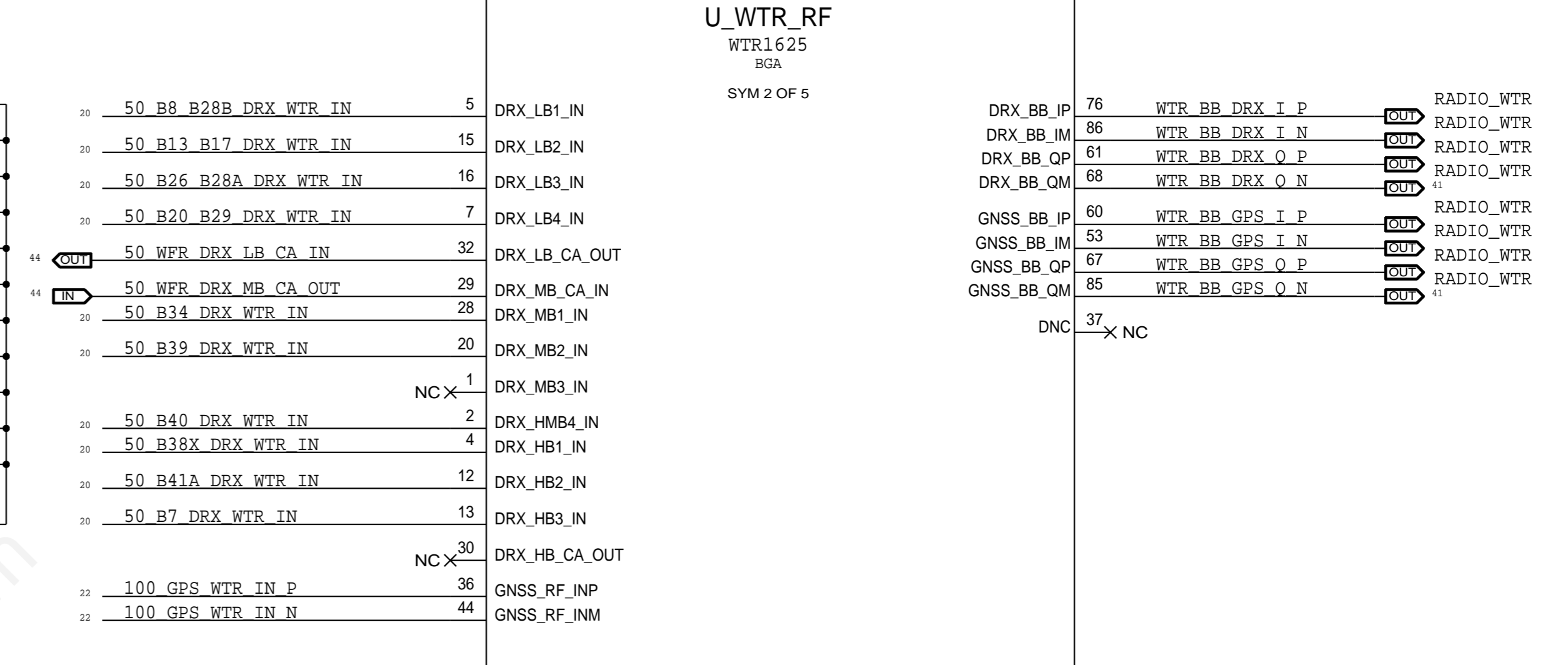


C802  
R802  
L800  
U803

LB1	DC
LB2	DC
LB3	DC
LB4	DC
MB1	NO DC
MB2	DC
MB3	DC
HB1	NO DC
HB2	DC
HB3	DC
HBMB4	NO DC



LB1	DC
LB2	DC
LB3	DC
LB4	DC
MB1	NO DC
MB2	DC
MB3	DC
HB1	NO DC
HB2	DC
HB3	DC
HBMB4	NO DC



RF\_CLK IS SHARED BETWEEN WTR AND WFR. LENGTH DIFFERENCE BETWEEN THE TWO SHOULD BE < 5MM.

## RF TRANSCEIVER (1 OF 3)

Apple Inc.		DRAWING NUMBER	051-00648	SIZE	D
		REVISION	4.0.0		
NOTICE OF PROPRIETARY PROPERTY:		BRANCH			
THE INFORMATION CONTAINED HEREIN IS THE PROPRIETARY PROPERTY OF APPLE INC. THE POSSESSOR AGREES TO THE FOLLOWING:		PAGE	37 OF 55		
I TO MAINTAIN THIS DOCUMENT IN CONFIDENCE		SHEET	42 OF 60		
II NOT TO REPRODUCE OR COPY IT					
III NOT TO REVEAL OR PUBLISH IT IN WHOLE OR PART					
IV ALL RIGHTS RESERVED					

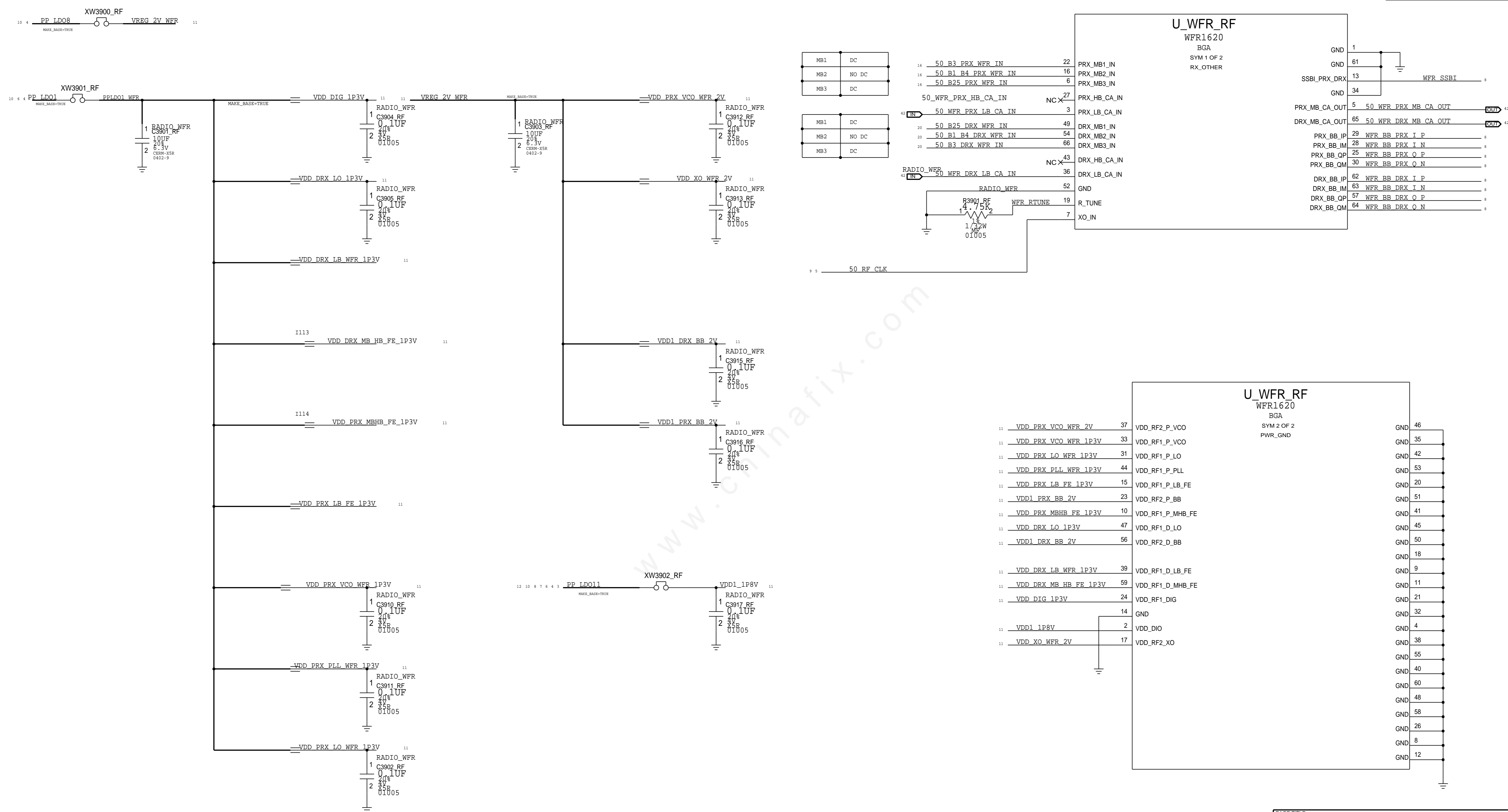




# WFR TRANSCEIVER

CONFIDENTIAL AND PROPRIETARY APPLE SYSTEM DESIGN. FOR REFERENCE PURPOSES ONLY - NOT A CHANGE REQUEST.

C1019
R1016
L1000
U1002



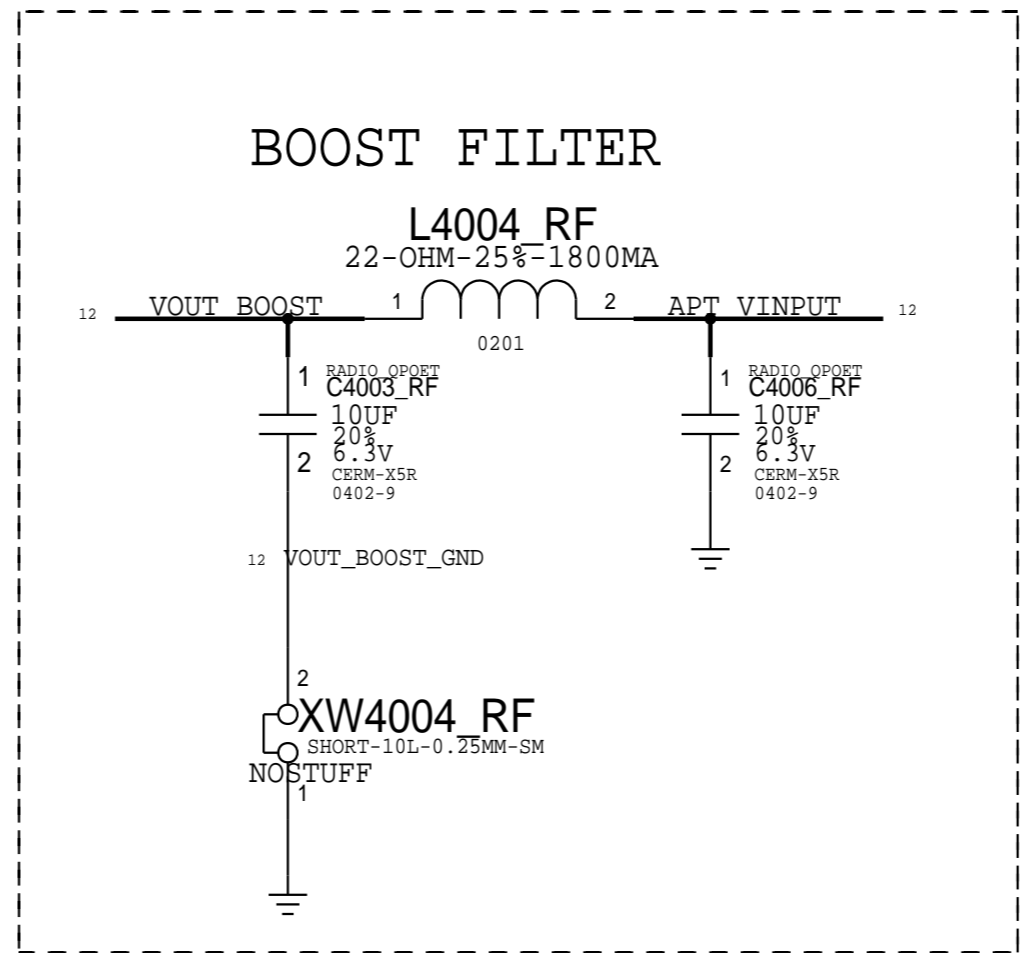
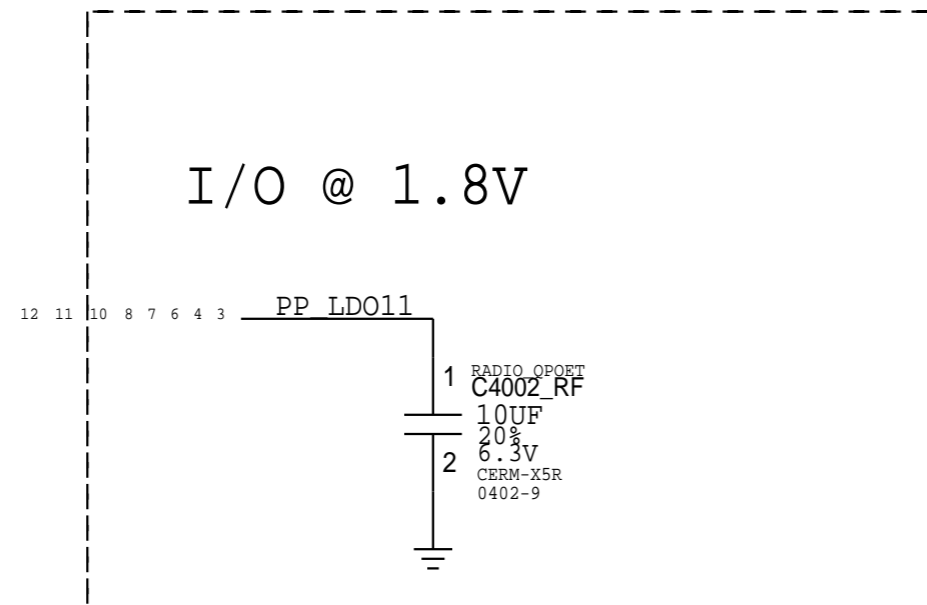
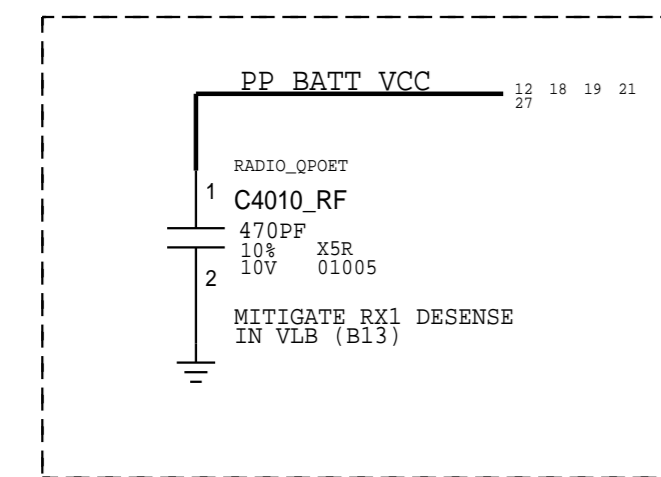
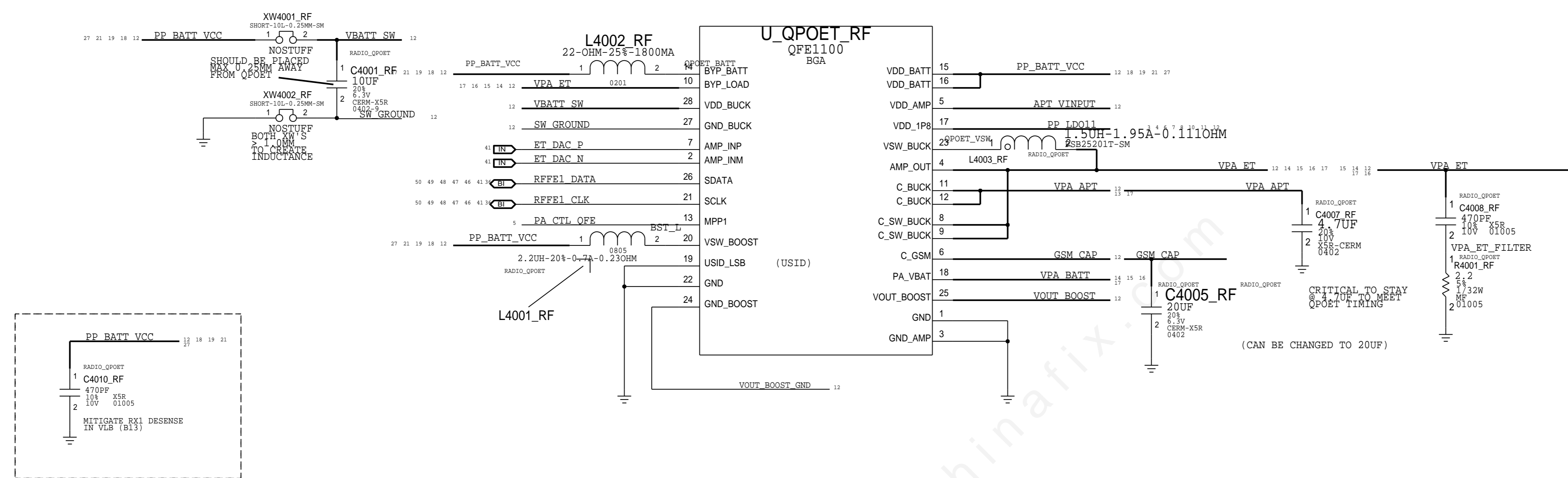
PAGE TITLE	
RF TRANSCEIVER (3 OF 3)	
Apple Inc.	DRAWING NUMBER 051-00648 SIZE D
REVISION 4.0.0	BRANCH
NOTICE OF PROPRIETARY PROPERTY: THE INFORMATION CONTAINED HEREIN IS THE PROPRIETARY PROPERTY OF APPLE INC. THE POSSESSOR AGREES TO THE FOLLOWING: I TO MAINTAIN THIS DOCUMENT IN CONFIDENCE II NOT TO REPRODUCE OR COPY IT III NOT TO REVEAL OR PUBLISH IT IN WHOLE OR PART IV ALL RIGHTS RESERVED	
PAGE 39 OF 55	SHEET 44 OF 60



# QFE DCDC

CONFIDENTIAL AND PROPRIETARY APPLE SYSTEM DESIGN. FOR REFERENCE PURPOSES ONLY - NOT A CHANGE REQUEST.

C1110  
R1102  
L1104  
U1101

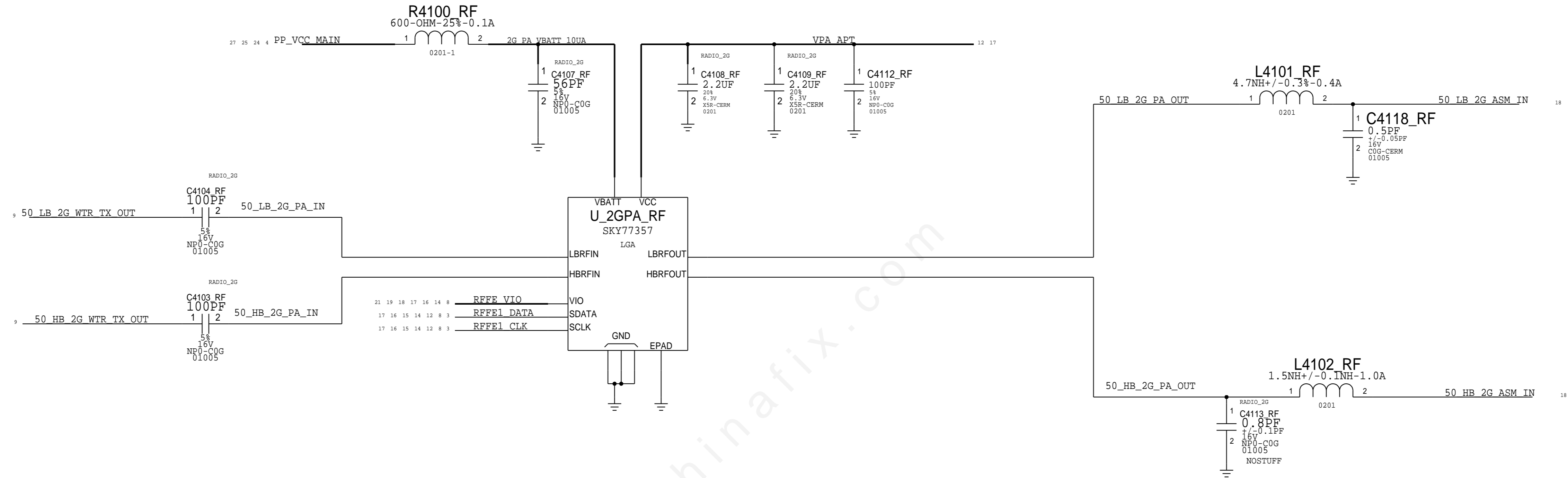


PAGE TITLE		QFE DCDC	
Apple Inc.	DRAWING NUMBER	051-00648	SIZE D
	REVISION	4.0.0	
NOTICE OF PROPRIETARY PROPERTY: THE INFORMATION CONTAINED HEREIN IS THE PROPRIETARY PROPERTY OF APPLE INC. THE POSSESSOR AGREES TO THE FOLLOWING: I TO MAINTAIN THIS DOCUMENT IN CONFIDENCE II NOT TO REPRODUCE OR COPY IT III NOT TO REVEAL OR PUBLISH IT IN WHOLE OR PART IV ALL RIGHTS RESERVED		BRANCH	
		PAGE	40 OF 55
		SHEET	45 OF 60

# 2G PA

CONFIDENTIAL AND PROPRIETARY APPLE SYSTEM DESIGN. FOR REFERENCE PURPOSES ONLY - NOT A CHANGE REQUEST.

C1208  
R1200  
L1204  
U1201



www.chinafix.com

PAGE TITLE		2G PA	
Apple Inc.	DRAWING NUMBER	051-00648	SIZE D
	REVISION	4.0.0	
NOTICE OF PROPRIETARY PROPERTY: THE INFORMATION CONTAINED HEREIN IS THE PROPRIETARY PROPERTY OF APPLE INC. THE POSSESSOR AGREES TO THE FOLLOWING: I TO MAINTAIN THIS DOCUMENT IN CONFIDENCE II NOT TO REPRODUCE OR COPY IT III NOT TO REVEAL OR PUBLISH IT IN WHOLE OR PART IV ALL RIGHTS RESERVED		BRANCH	
		PAGE	41 OF 55
		SHEET	46 OF 60

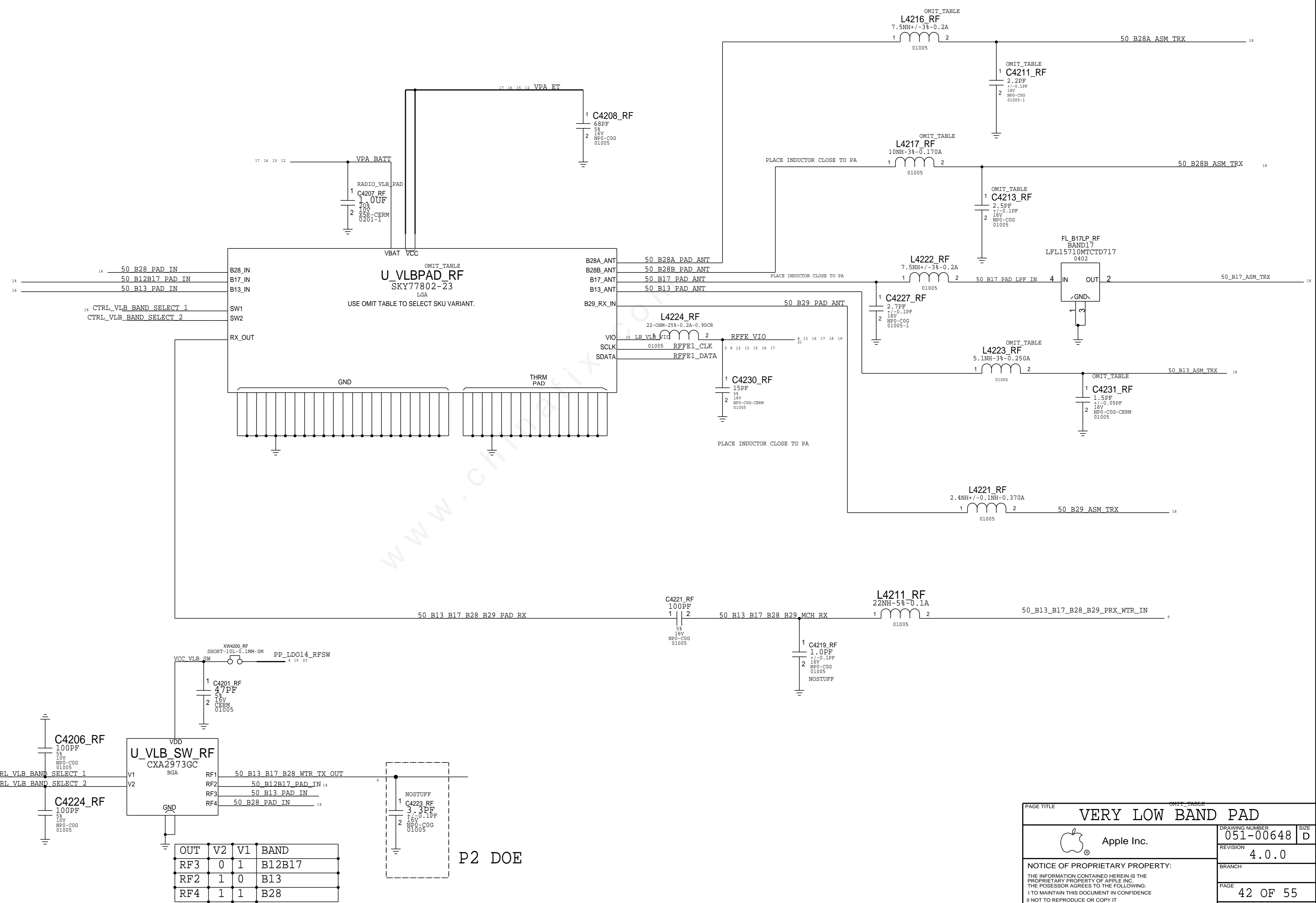




# VERY LOW BAND PAD (B13, B17, B28)

CONFIDENTIAL AND PROPRIETARY APPLE SYSTEM DESIGN. FOR REFERENCE PURPOSES ONLY - NOT A CHANGE REQUEST.

C1332
R1300
L4215_RF
U1304



Apple Inc.		DRAWING NUMBER <b>051-00648</b>	SIZE <b>D</b>
REVISION <b>4.0.0</b>		BRANCH	
PAGE <b>42 OF 55</b>		SHEET <b>47 OF 60</b>	
NOTICE OF PROPRIETARY PROPERTY: THE INFORMATION CONTAINED HEREIN IS THE PROPRIETARY PROPERTY OF APPLE INC. THE POSSESSOR AGREES TO THE FOLLOWING: I TO MAINTAIN THIS DOCUMENT IN CONFIDENCE II NOT TO REPRODUCE OR COPY IT III NOT TO REVEAL OR PUBLISH IT IN WHOLE OR PART IV ALL RIGHTS RESERVED			

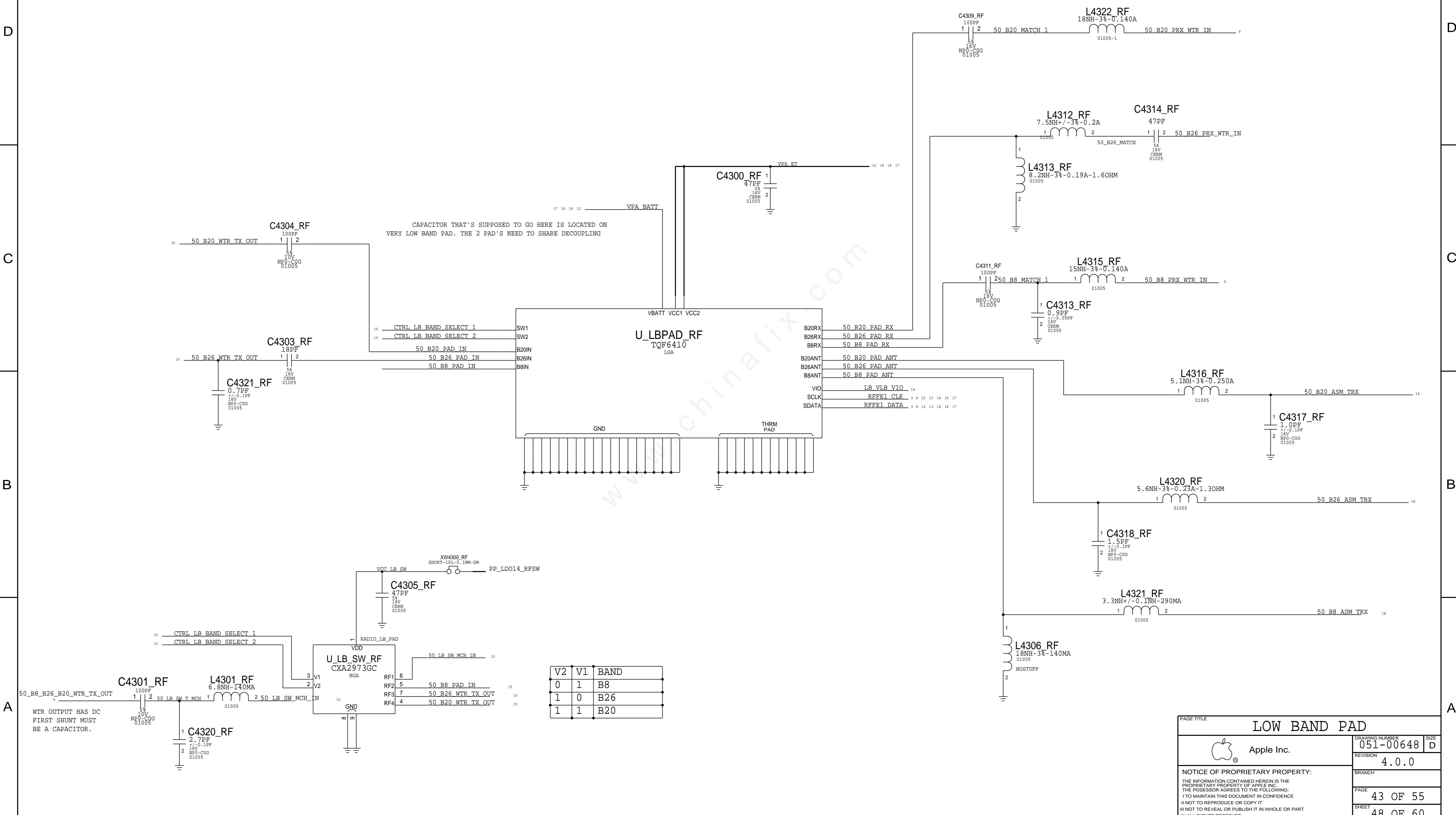
# LOW BAND PAD (B8, B26, B20)

CONFIDENTIAL AND PROPRIETARY APPLE SYSTEM DESIGN. FOR REFERENCE PURPOSES ONLY - NOT A CHANGE REQUEST.

C4318\_RF  
R1400  
L4322\_RF  
U1402

D  
C  
B  
A

D  
C  
B  
A



PAGE TITLE: **LOW BAND PAD**

Apple Inc.

DRAWING NUMBER: 051-00648  
REVISION: 4.0.0

BRANCH: [Blank]  
PAGE: 43 OF 55  
SHEET: 48 OF 60

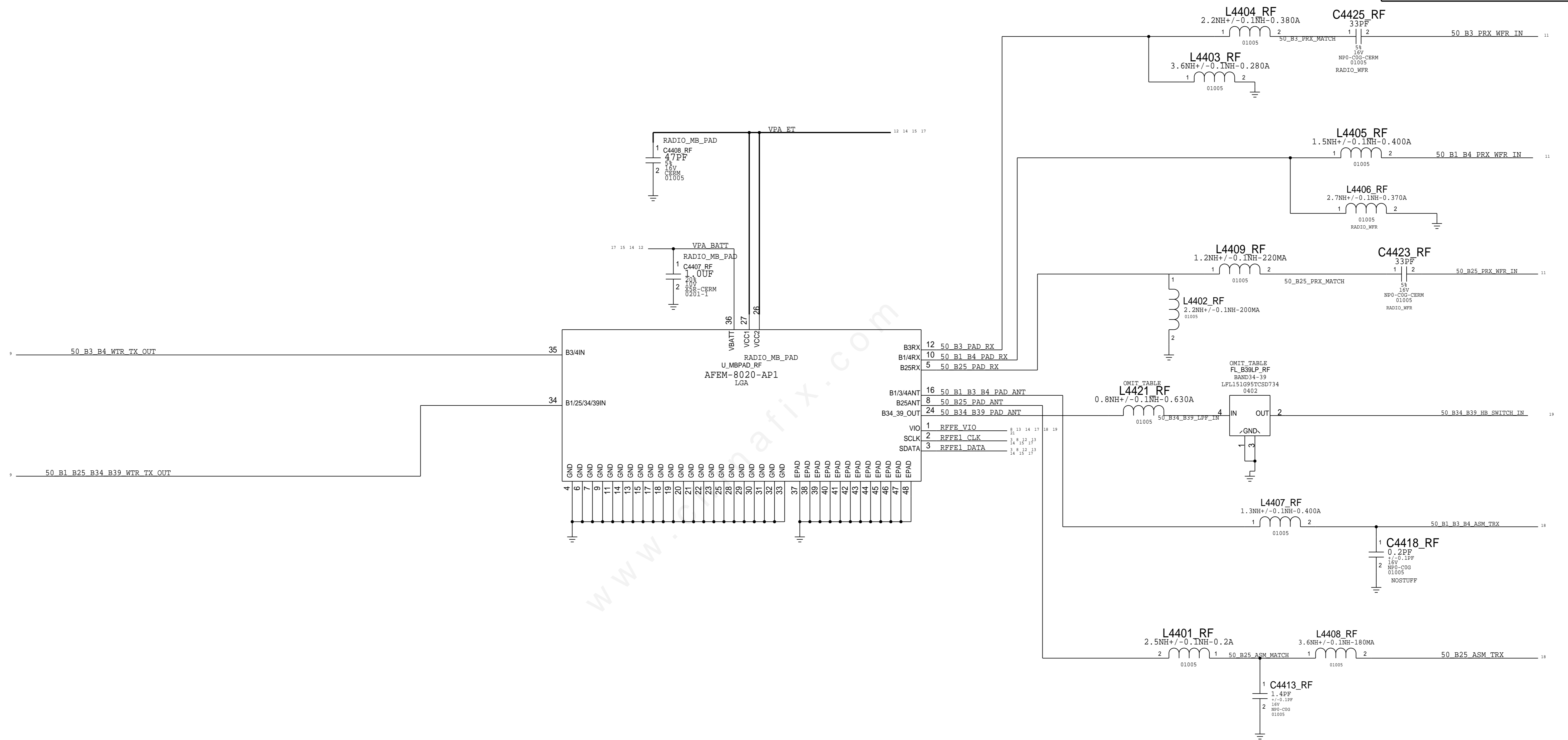
NOTICE OF PROPRIETARY PROPERTY:  
THE INFORMATION CONTAINED HEREIN IS THE PROPRIETARY PROPERTY OF APPLE INC. THE POSSESSOR AGREES TO THE FOLLOWING:  
I TO MAINTAIN THIS DOCUMENT IN CONFIDENCE  
II NOT TO REPRODUCE OR COPY IT  
III NOT TO REVEAL OR PUBLISH IT IN WHOLE OR PART  
IV ALL RIGHTS RESERVED



# MID BAND PAD (B1, B25, B3, B4, B34, B39)

CONFIDENTIAL AND PROPRIETARY APPLE SYSTEM DESIGN. FOR REFERENCE PURPOSES ONLY - NOT A CHANGE REQUEST.

C4426\_RF  
R1500  
L4409\_RF  
U1501



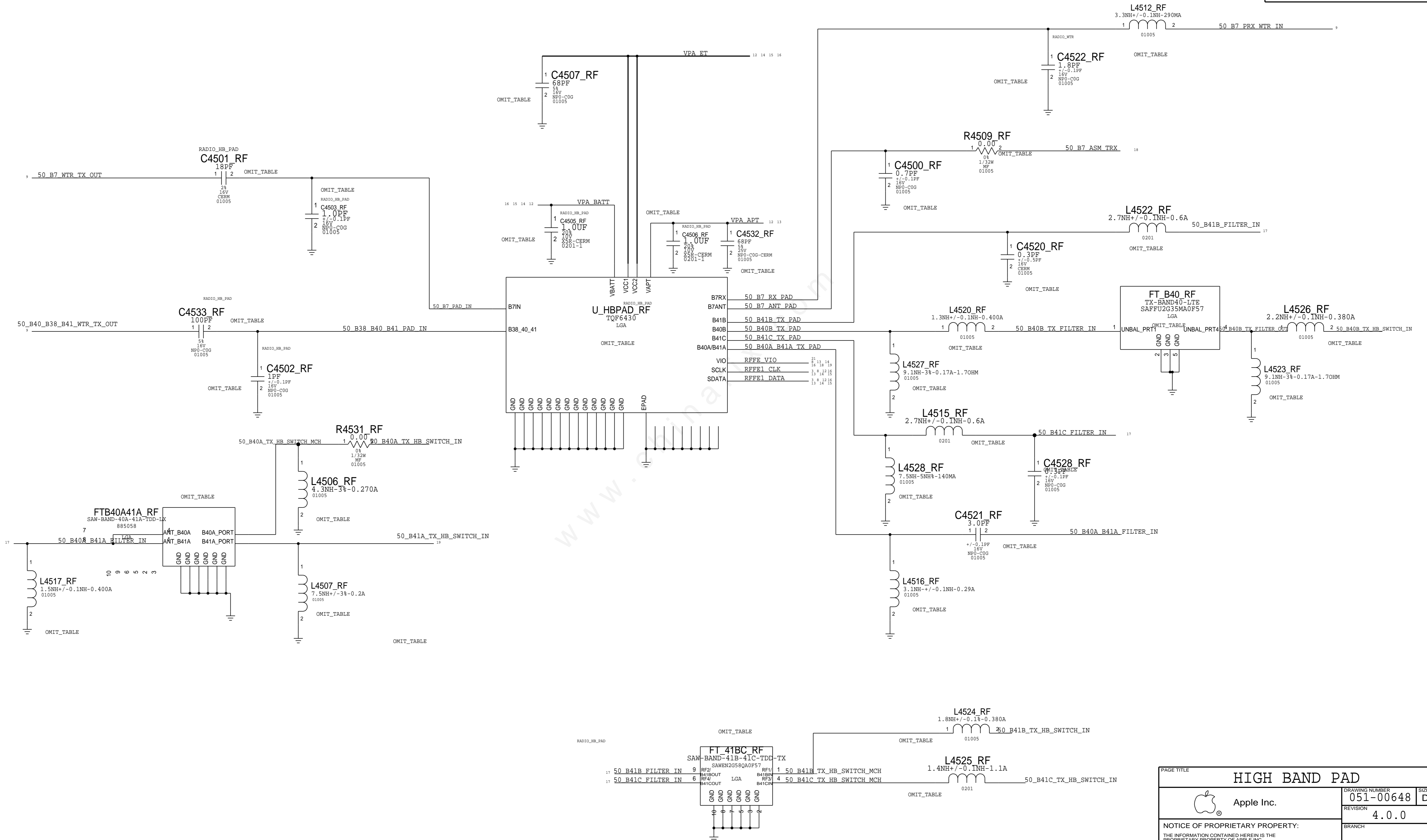
PAGE TITLE		MID BAND PAD	
Apple Inc.	DRAWING NUMBER	051-00648	SIZE D
	REVISION	4.0.0	
NOTICE OF PROPRIETARY PROPERTY: THE INFORMATION CONTAINED HEREIN IS THE PROPRIETARY PROPERTY OF APPLE INC. THE POSSESSOR AGREES TO THE FOLLOWING: I TO MAINTAIN THIS DOCUMENT IN CONFIDENCE II NOT TO REPRODUCE OR COPY IT III NOT TO REVEAL OR PUBLISH IT IN WHOLE OR PART IV ALL RIGHTS RESERVED		BRANCH	
		PAGE	44 OF 55
		SHEET	49 OF 60

# HIGH BAND PAD (B7, B38, B40, B41, XGP)

CONFIDENTIAL AND PROPRIETARY APPLE SYSTEM DESIGN. FOR REFERENCE PURPOSES ONLY - NOT A CHANGE REQUEST.



C4533_RF
R1600
L1616
U1601

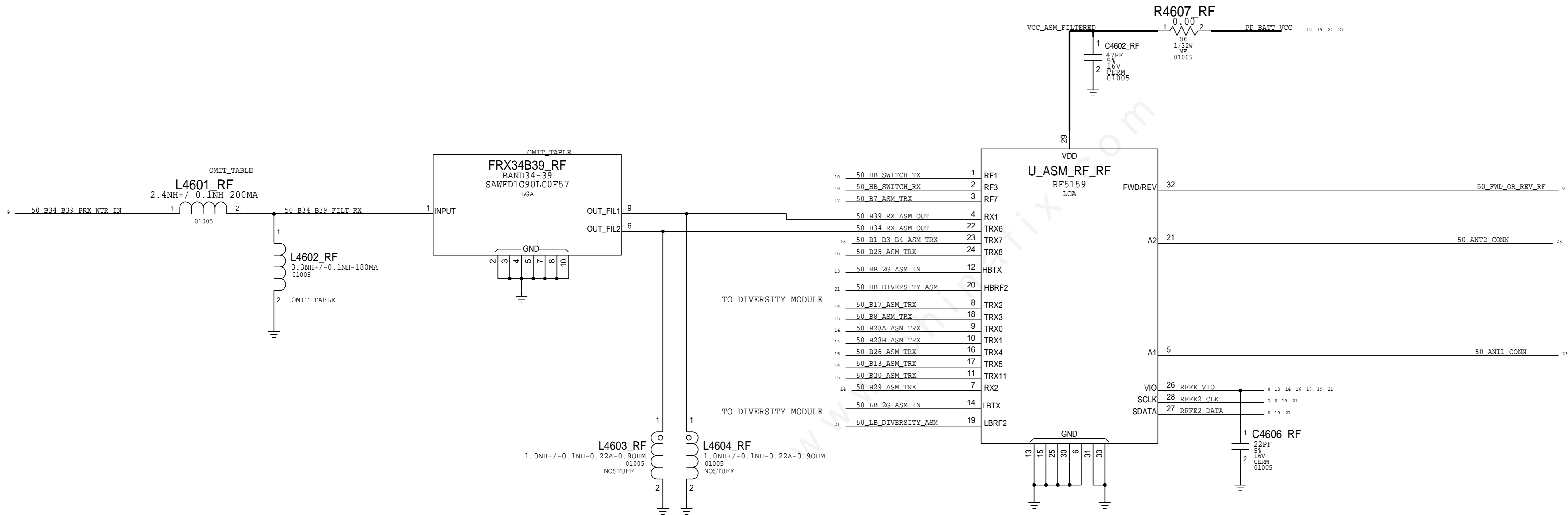


PAGE TITLE	
HIGH BAND PAD	
Apple Inc.	DRAWING NUMBER: 051-00648
REVISION: 4.0.0	SIZE: D
NOTICE OF PROPRIETARY PROPERTY: THE INFORMATION CONTAINED HEREIN IS THE PROPRIETARY PROPERTY OF APPLE INC. THE POSSESSOR AGREES TO THE FOLLOWING: I TO MAINTAIN THIS DOCUMENT IN CONFIDENCE II NOT TO REPRODUCE OR COPY IT III NOT TO REVEAL OR PUBLISH IT IN WHOLE OR PART IV ALL RIGHTS RESERVED	
BRANCH:	PAGE: 45 OF 55
SHEET: 50 OF 60	

# ANTENNA SWITCH

CONFIDENTIAL AND PROPRIETARY APPLE SYSTEM DESIGN. FOR REFERENCE PURPOSES ONLY - NOT A CHANGE REQUEST.

C1702  
R1700  
L4608\_RF  
U1702

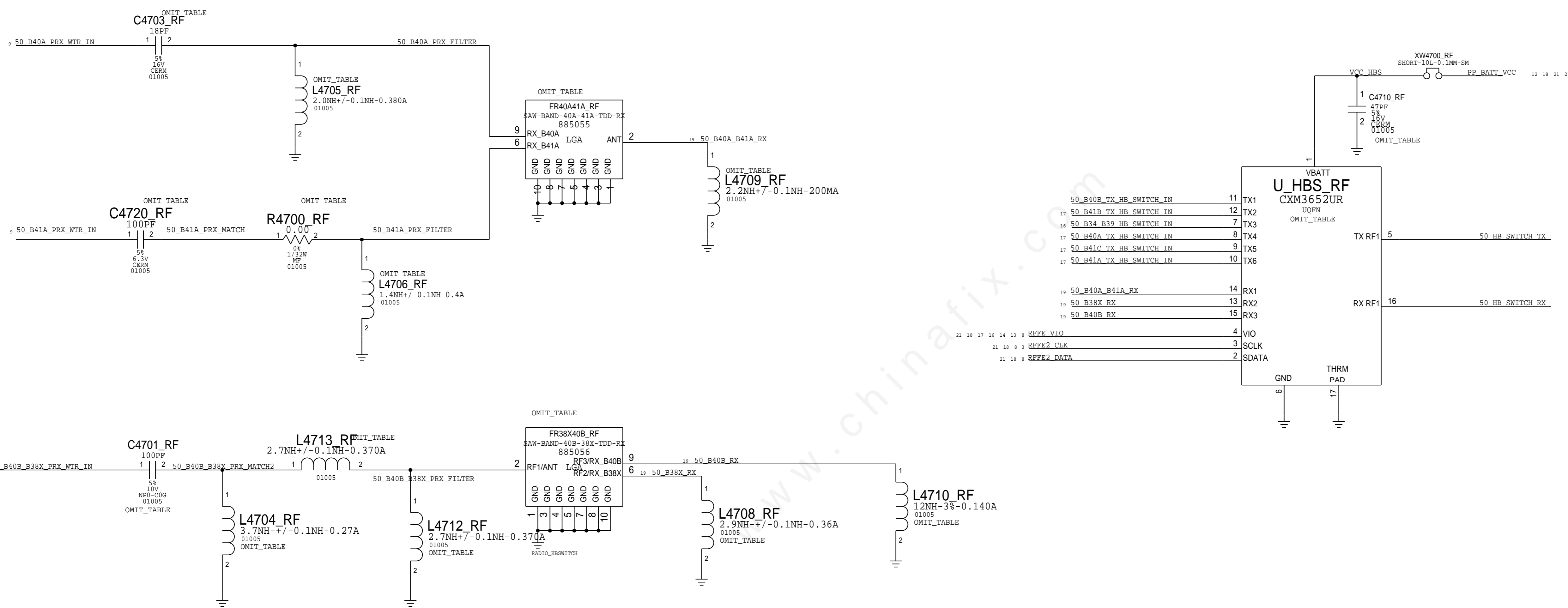


PAGE TITLE		ANTENNA SWITCH	
	DRAWING NUMBER	051-00648	SIZE
	REVISION	4.0.0	D
NOTICE OF PROPRIETARY PROPERTY: THE INFORMATION CONTAINED HEREIN IS THE PROPRIETARY PROPERTY OF APPLE INC. THE POSSESSOR AGREES TO THE FOLLOWING: I TO MAINTAIN THIS DOCUMENT IN CONFIDENCE II NOT TO REPRODUCE OR COPY IT III NOT TO REVEAL OR PUBLISH IT IN WHOLE OR PART IV ALL RIGHTS RESERVED		BRANCH	
		PAGE	46 OF 55
		SHEET	51 OF 60



# HIGH BAND SWITCH

CONFIDENTIAL AND PROPRIETARY APPLE SYSTEM DESIGN. FOR REFERENCE PURPOSES ONLY - NOT A CHANGE REQUEST.

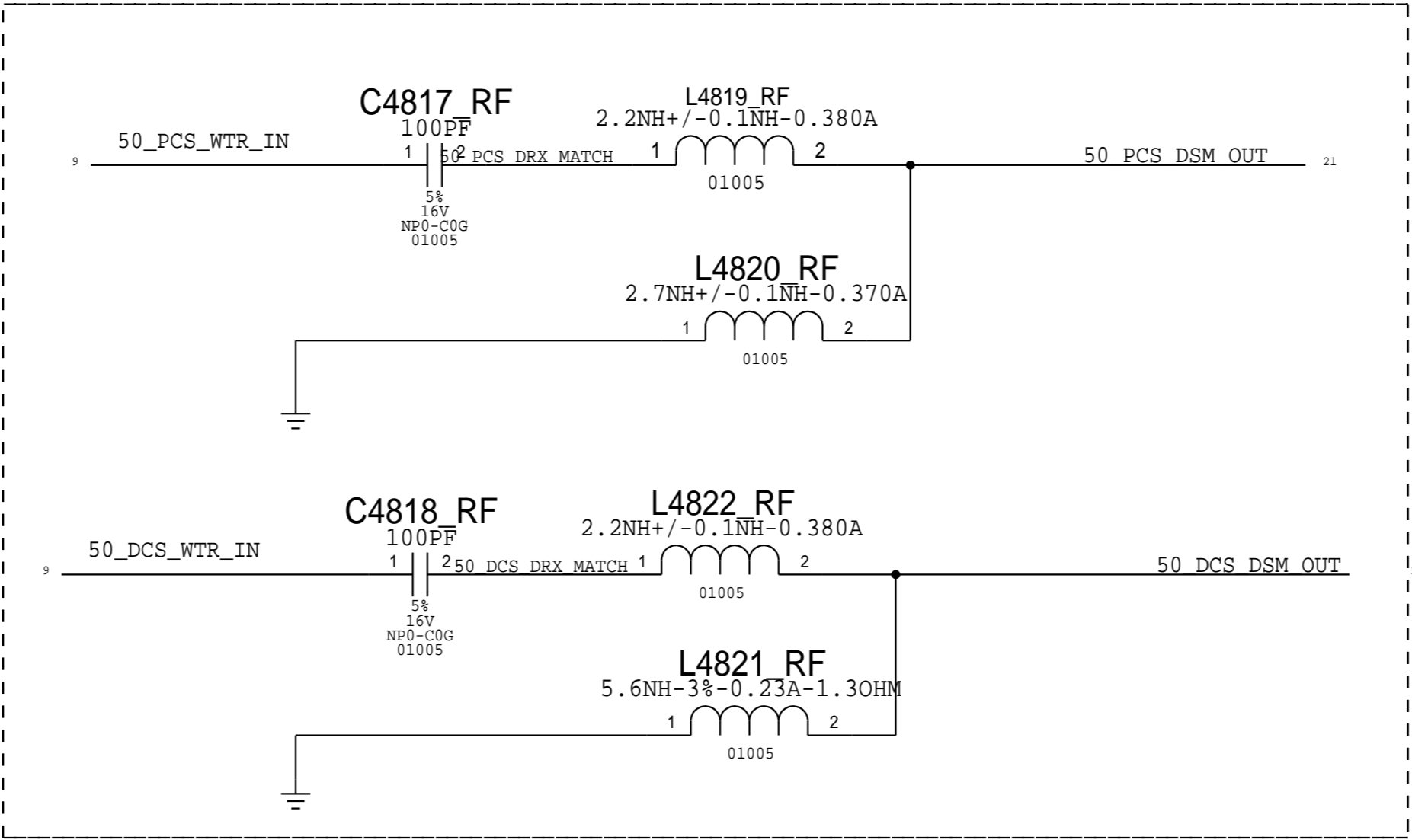
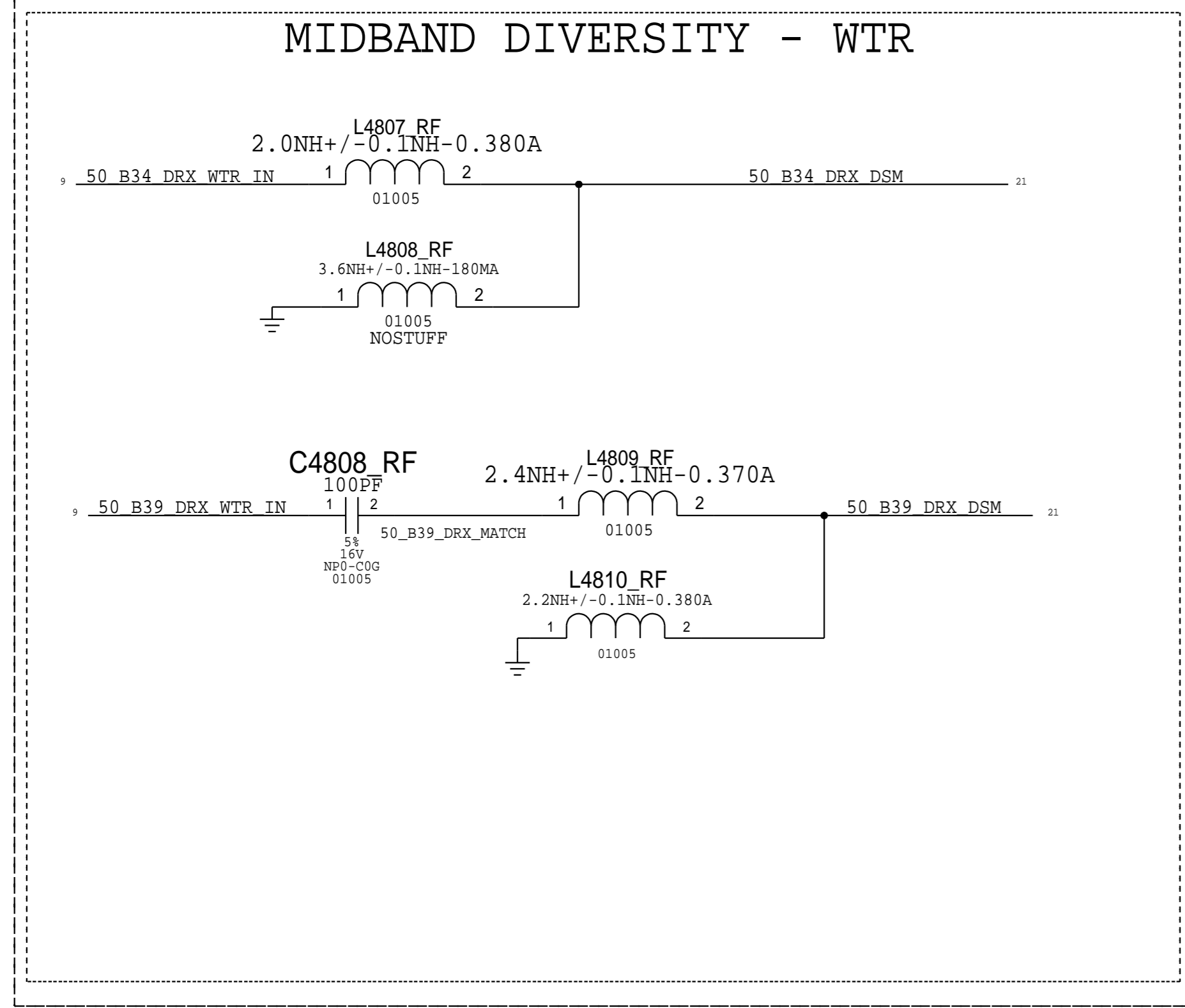
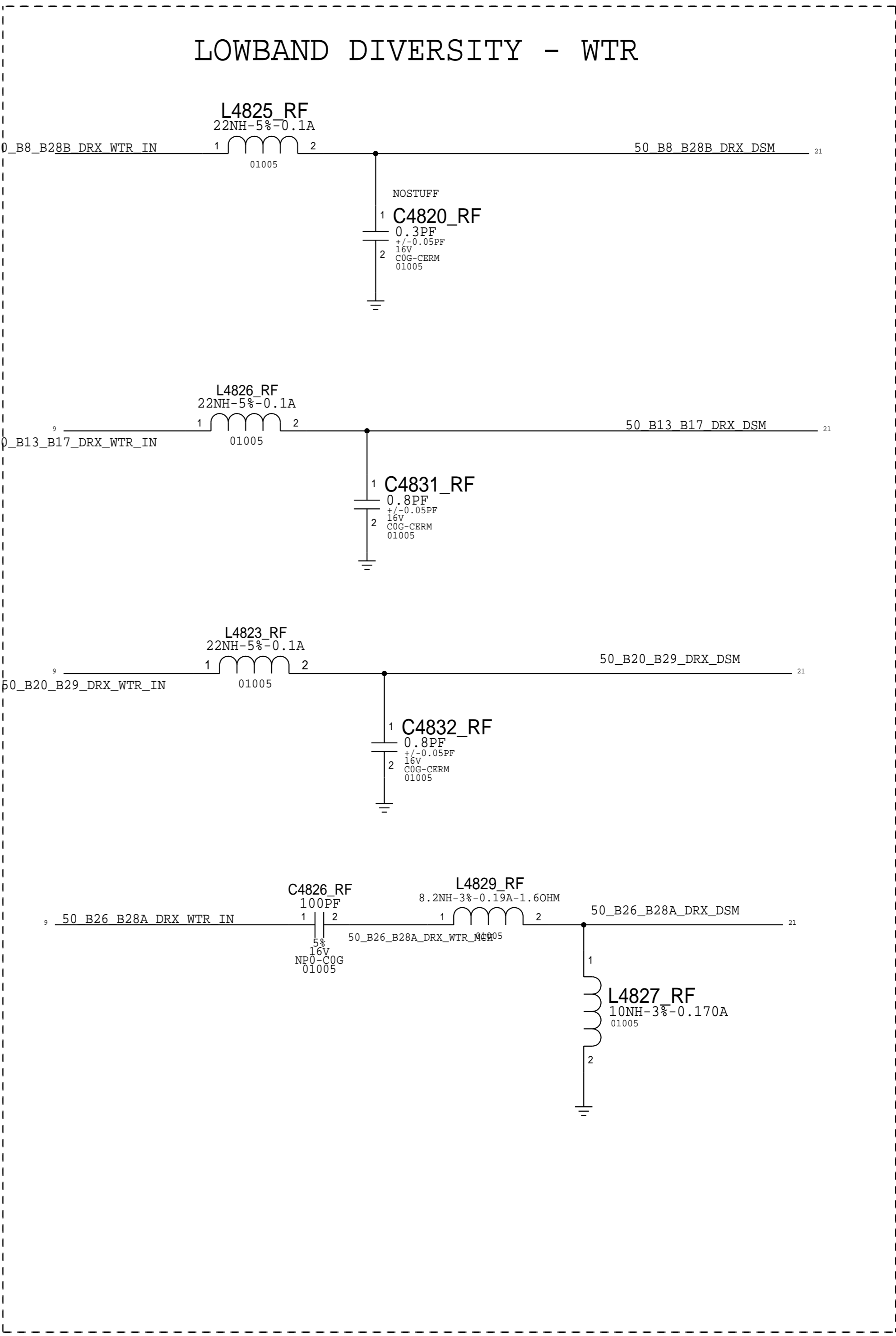
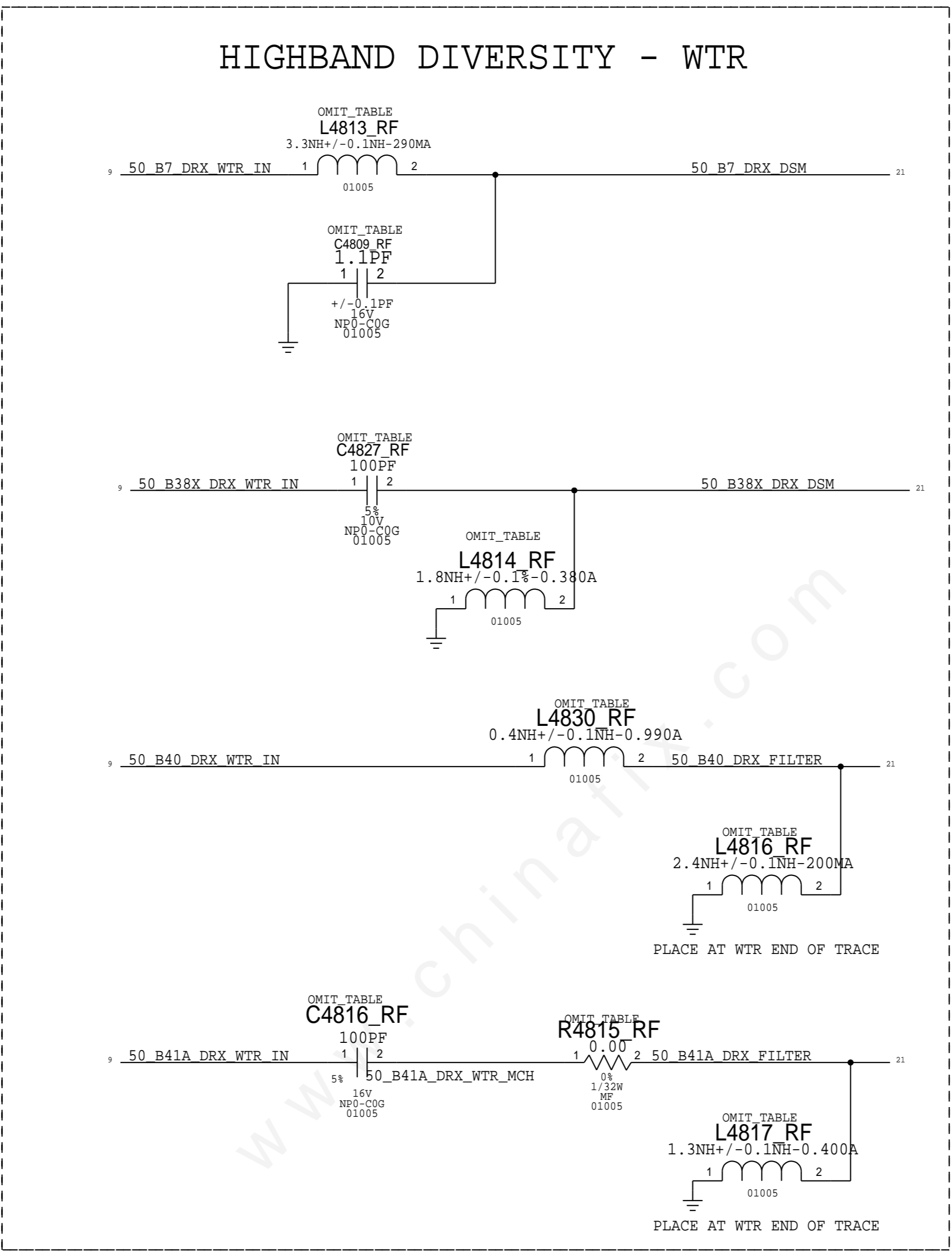
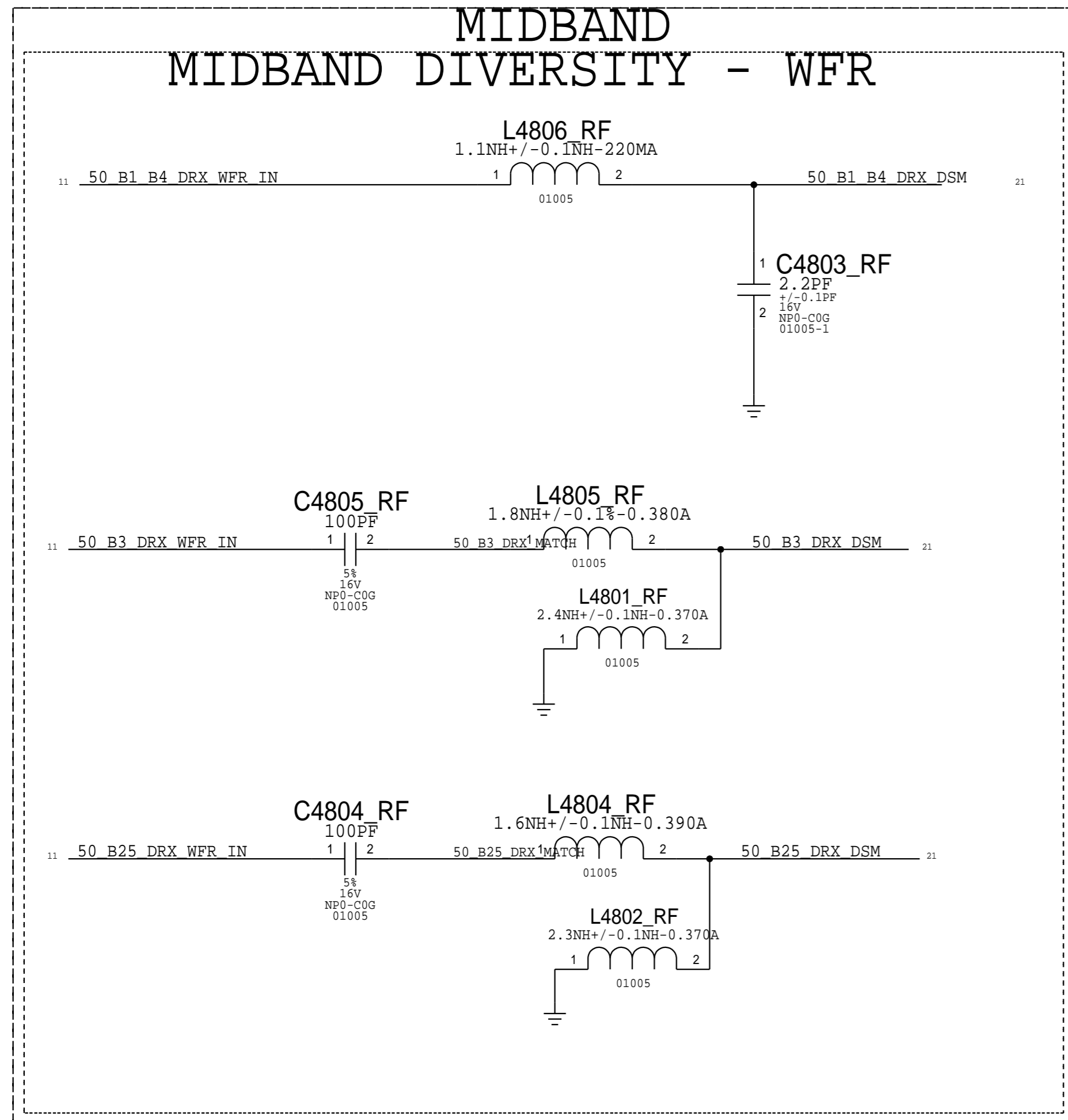


PAGE TITLE		
HIGH BAND SWITCH		
	DRAWING NUMBER	051-00648
	REVISION	4.0.0
NOTICE OF PROPRIETARY PROPERTY: THE INFORMATION CONTAINED HEREIN IS THE PROPRIETARY PROPERTY OF APPLE INC. THE POSSESSOR AGREES TO THE FOLLOWING: I TO MAINTAIN THIS DOCUMENT IN CONFIDENCE II NOT TO REPRODUCE OR COPY IT III NOT TO REVEAL OR PUBLISH IT IN WHOLE OR PART IV ALL RIGHTS RESERVED		
BRANCH	PAGE	SHEET
	47 OF 55	52 OF 60

# RX DIVERSITY (1)

CONFIDENTIAL AND PROPRIETARY APPLE SYSTEM DESIGN. FOR REFERENCE PURPOSES ONLY - NOT A CHANGE REQUEST.

8	7	6	5	4	3	2	1
							C4826_RF
							R1800
							L1829
							U1801



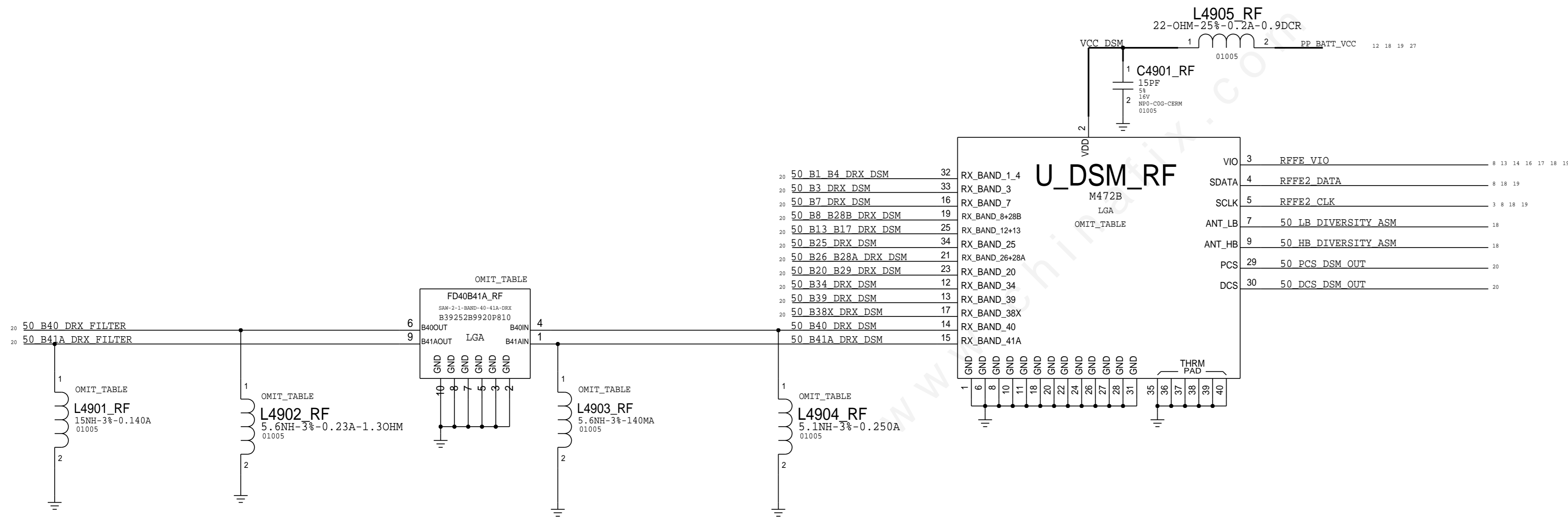
PAGE TITLE		RX DIVERSITY	
DRAWING NUMBER		051-00648	SIZE D
REVISION		4.0.0	
BRANCH			
PAGE		48 OF 55	
SHEET		53 OF 60	

NOTICE OF PROPRIETARY PROPERTY:  
 THE INFORMATION CONTAINED HEREIN IS THE PROPRIETARY PROPERTY OF APPLE INC. THE POSSESSOR AGREES TO THE FOLLOWING:  
 I TO MAINTAIN THIS DOCUMENT IN CONFIDENCE  
 II NOT TO REPRODUCE OR COPY IT  
 III NOT TO REVEAL OR PUBLISH IT IN WHOLE OR PART  
 IV ALL RIGHTS RESERVED

# RX DIVERSITY (2)

CONFIDENTIAL AND PROPRIETARY APPLE SYSTEM DESIGN. FOR REFERENCE PURPOSES ONLY - NOT A CHANGE REQUEST.

C1900  
R1900  
L1900  
U1901



PAGE TITLE		RX DIVERSITY (2)	
Apple Inc.	DRAWING NUMBER	051-00648	SIZE
	REVISION	4.0.0	D
NOTICE OF PROPRIETARY PROPERTY: THE INFORMATION CONTAINED HEREIN IS THE PROPRIETARY PROPERTY OF APPLE INC. THE POSSESSOR AGREES TO THE FOLLOWING: I TO MAINTAIN THIS DOCUMENT IN CONFIDENCE II NOT TO REPRODUCE OR COPY IT III NOT TO REVEAL OR PUBLISH IT IN WHOLE OR PART IV ALL RIGHTS RESERVED		BRANCH	
		PAGE	49 OF 55
		SHEET	54 OF 60

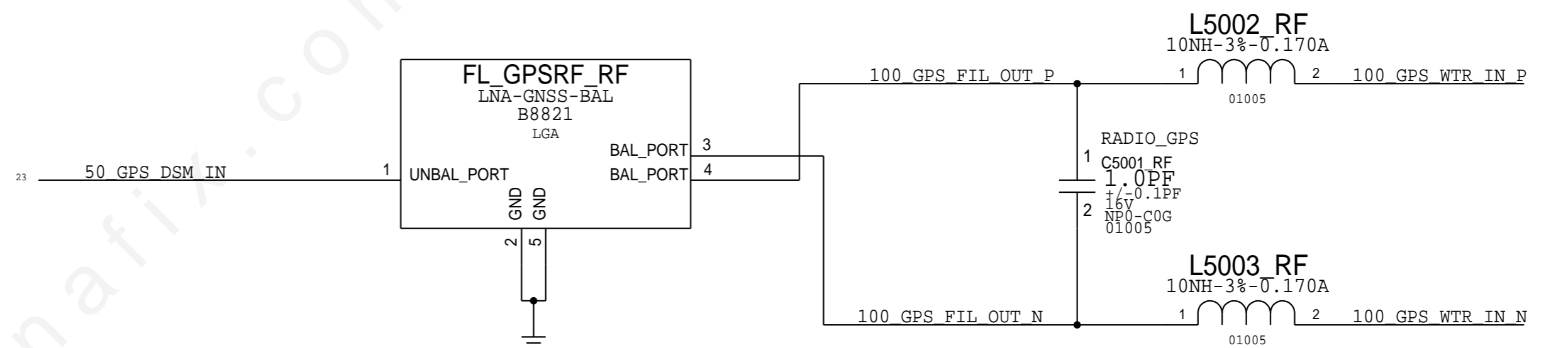




# GPS

CONFIDENTIAL AND PROPRIETARY APPLE SYSTEM DESIGN. FOR REFERENCE PURPOSES ONLY - NOT A CHANGE REQUEST.

C1900
R1900
L1900
U1901



www.chinafix.com

PAGE TITLE		GPS	
Apple Inc.		DRAWING NUMBER	051-00648
		REVISION	4.0.0
NOTICE OF PROPRIETARY PROPERTY: THE INFORMATION CONTAINED HEREIN IS THE PROPRIETARY PROPERTY OF APPLE INC. THE POSSESSOR AGREES TO THE FOLLOWING: I TO MAINTAIN THIS DOCUMENT IN CONFIDENCE II NOT TO REPRODUCE OR COPY IT III NOT TO REVEAL OR PUBLISH IT IN WHOLE OR PART IV ALL RIGHTS RESERVED		BRANCH	
		PAGE	50 OF 55
		SHEET	55 OF 60

# ANTENNA FEEDS

CONFIDENTIAL AND PROPRIETARY APPLE SYSTEM DESIGN. FOR REFERENCE PURPOSES ONLY - NOT A CHANGE REQUEST.

ANT & COAX CONNECTOR FOR LOWER & UPPER SECTION OF MLB

D

C

B

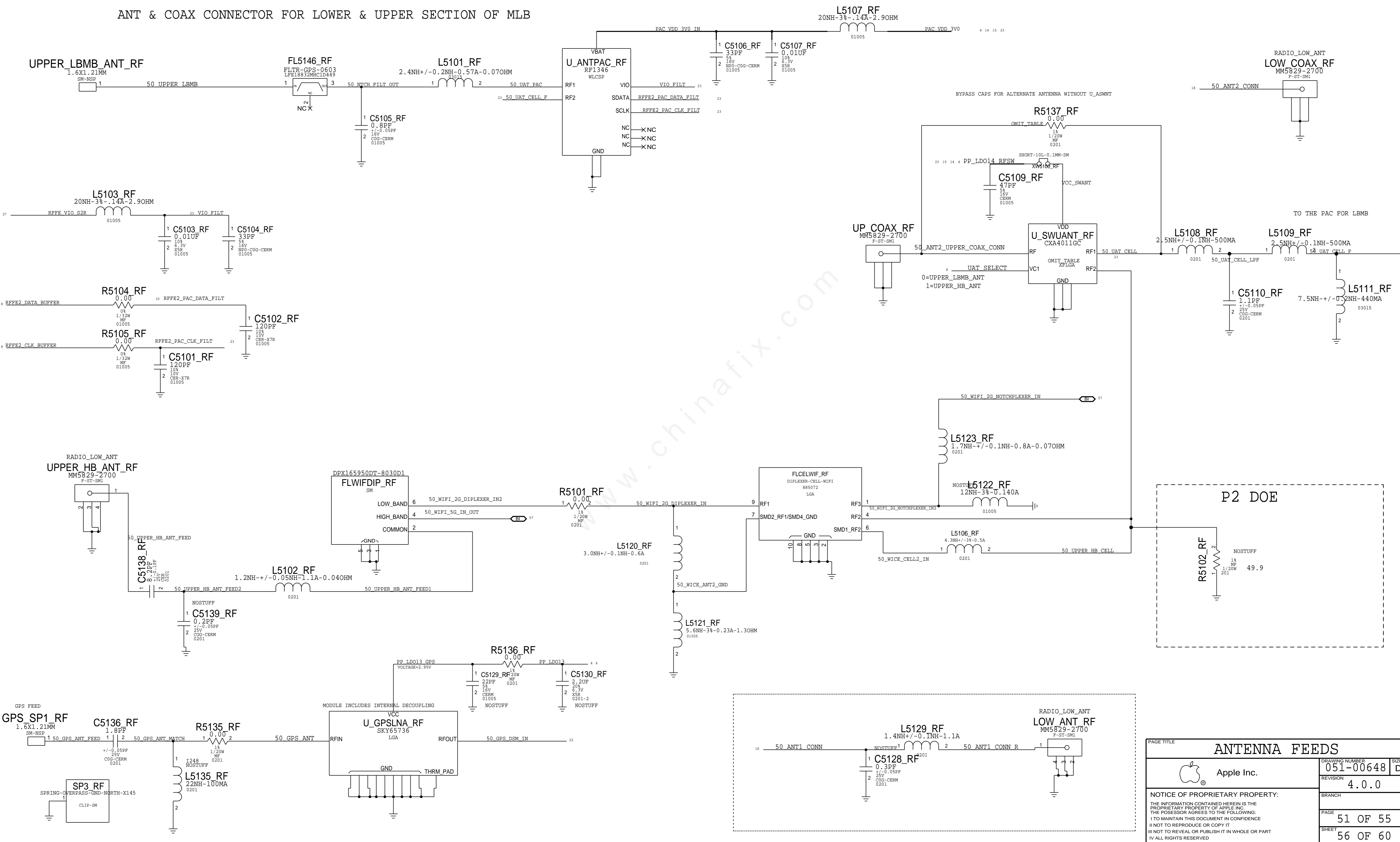
A

D

C

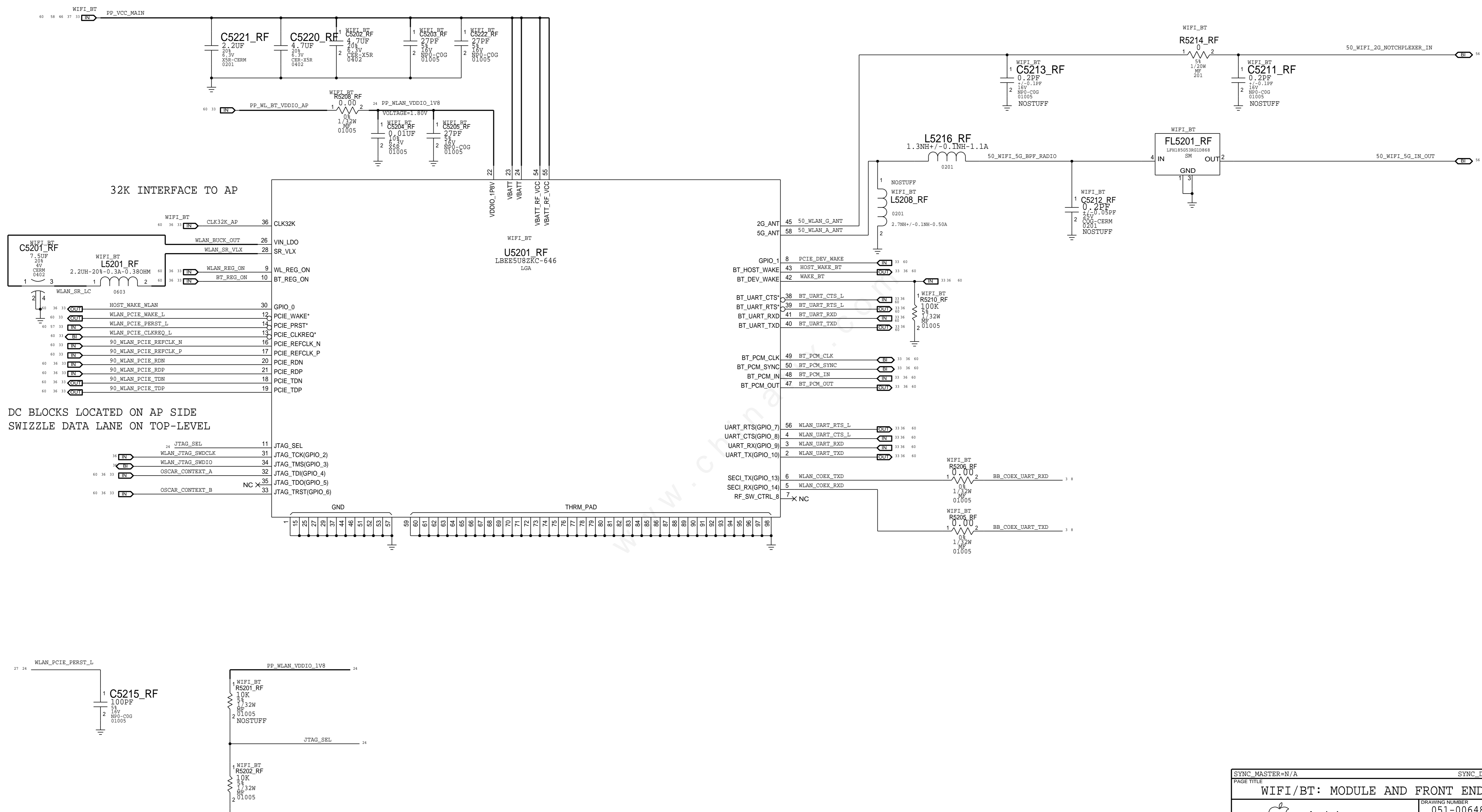
B

A



PAGE TITLE		DRAWING NUMBER		SIZE
ANTENNA FEEDS		051-00648		D
Apple Inc.		REVISION		4.0.0
NOTICE OF PROPRIETARY PROPERTY:		BRANCH		
THE INFORMATION CONTAINED HEREIN IS THE PROPRIETARY PROPERTY OF APPLE INC. THE POSSESSOR AGREES TO THE FOLLOWING:		PAGE		51 OF 55
I TO MAINTAIN THIS DOCUMENT IN CONFIDENCE		SHEET		56 OF 60
II NOT TO REPRODUCE OR COPY IT				
III NOT TO REVEAL OR PUBLISH IT IN WHOLE OR PART				
IV ALL RIGHTS RESERVED				

# WLAN / BT



MODULE ROOT STRAPPED TO HOSTIC INTEGRAL Sdio2/Sdio1=110

SYNC_MASTER=N/A		SYNC_DATE=N/A	
PAGE TITLE			
WIFI/BT: MODULE AND FRONT END			
		DRAWING NUMBER	051-00648
		REVISION	4.0.0
NOTICE OF PROPRIETARY PROPERTY: THE INFORMATION CONTAINED HEREIN IS THE PROPRIETARY PROPERTY OF APPLE INC. THE POSSESSOR AGREES TO THE FOLLOWING: I TO MAINTAIN THIS DOCUMENT IN CONFIDENCE II NOT TO REPRODUCE OR COPY IT III NOT TO REVEAL OR PUBLISH IT IN WHOLE OR PART IV ALL RIGHTS RESERVED		BRANCH	
		PAGE	52 OF 55
		SHEET	57 OF 60

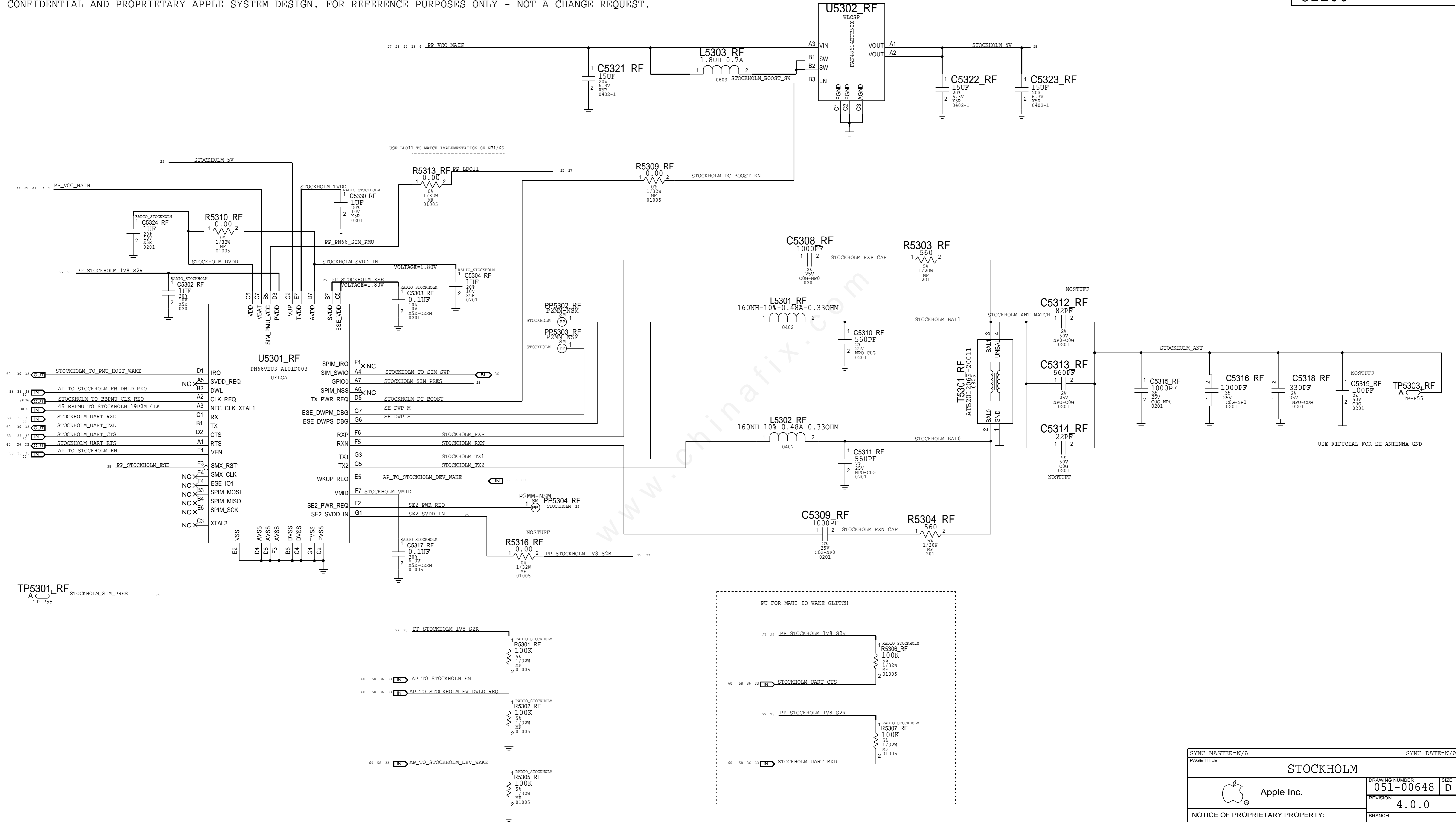


# STOCKHOLM

CONFIDENTIAL AND PROPRIETARY APPLE SYSTEM DESIGN. FOR REFERENCE PURPOSES ONLY - NOT A CHANGE REQUEST.



C2101  
R2100  
L2102  
U2100



SYNC_MASTER=N/A		SYNC_DATE=N/A	
PAGE TITLE			
		DRAWING NUMBER	
		051-00648	
NOTICE OF PROPRIETARY PROPERTY: THE INFORMATION CONTAINED HEREIN IS THE PROPRIETARY PROPERTY OF APPLE INC. THE POSSESSOR AGREES TO THE FOLLOWING: I TO MAINTAIN THIS DOCUMENT IN CONFIDENCE II NOT TO REPRODUCE OR COPY IT III NOT TO REVEAL OR PUBLISH IT IN WHOLE OR PART IV ALL RIGHTS RESERVED		REVISION	
		4.0.0	
		BRANCH	
		PAGE	
		53 OF 55	
		SHEET	
		58 OF 60	

# N69 SKU BOM OPTION TABLE

## N69H N69H TDD

# N69

PART#	QTY	DESCRIPTION	REFERENCE DESIGNATOR(S)	CRITICAL	BOM OPTION
353S4180	1	RADIO HIGH BAND PAD	U_HBPAD_RF	CRITICAL	N69H
131S0417	1	18PF 01005 16V	C4501_RF	CRITICAL	N69H
131S0375	1	1.0PF 01005 16V	C4503_RF	CRITICAL	N69H
131S0635	1	68PF 01005 16V	C4507_RF	CRITICAL	N69H
138S0706	1	1UF 0201 10V	C4505_RF	CRITICAL	N69H
152S1907	1	3.3NH 01005 +/-0.1NH	L4512_RF	CRITICAL	N69H
131S0247	1	1.8PF 01005 16V	C4522_RF	CRITICAL	N69H

353S00374	1	TDK MODULE M472A NO B12/B13/B17	U_DSM_RF	CRITICAL	N69H
152S1998	1	IND 0.8NH 630MA 01005	L4421_RF	CRITICAL	N69H
353S00390	1	SKY77827	U_VLBPAD_RF	CRITICAL	N69H
131S0387	1	2.2PF 0.1PF 01005 COG	C4211_RF	CRITICAL	N69H
152S1567	1	3.3NH 01005	L4813_RF	CRITICAL	N69H
131S0376	1	1.1PF 01005	C4809_RF	CRITICAL	N69H
152S1977	1	10NH 01005 170MA	L4217_RF	CRITICAL	N69H
131S0390	1	2.5PF 0.1PF 01005 COG	C4213_RF	CRITICAL	N69H
152S1853	1	7.5NH 3% 01005 200MA	L4216_RF	CRITICAL	N69H
118S0726	1	162K 1% 01005	R3312_RF	CRITICAL	N69H
353S3876	1	SWTICH SPDT 1.1X1.1	U_SWUANT_RF	CRITICAL	N69H
152S2045	1	3.0NH 0201	L5120_RF	CRITICAL	N69H
152S1851	1	5.6NH 01005	L5121_RF	CRITICAL	N69H

118S0652	1	01005 49.9R	C4231_RF	CRITICAL	N69H
----------	---	-------------	----------	----------	------

131S0307	1	100PF 01005	C4827_RF	CRITICAL	N69H
152S1720	1	1.8NH 01005	L4814_RF	CRITICAL	N69H
152S1544	1	0.4NH 01005	L4830_RF	CRITICAL	N69H
152S1564	1	2.4NH 01005	L4816_RF	CRITICAL	N69H
131S0307	1	100PF 01005	C4816_RF	CRITICAL	N69H
117S0161	1	0R 01005	R4815_RF	CRITICAL	N69H
152S1900	1	1.3NH 01005	L4817_RF	CRITICAL	N69H

152S1996	1	15NH 01005	L4901_RF	CRITICAL	N69H
152S1571	1	5.6NH 01005	L4902_RF	CRITICAL	N69H
152S1571	1	5.6NH 01005	L4903_RF	CRITICAL	N69H
152S1623	1	5.1NH 01005	L4904_RF	CRITICAL	N69H
155S0908	1	SAW DRX B40B41A	FD40B41A_RF	CRITICAL	N69H
117S0161	1	0R 01005	R4509_RF	CRITICAL	N69H
152S1907	1	3.3NH 01005 290MA	L4602_RF	CRITICAL	N69H
155S0981	1	FLTR SAW DUAL FILTER B34B39	FRX34B39_RF	CRITICAL	N69H
152S1988	1	2.4NH 01005 370MA	L4601_RF	CRITICAL	N69H
155S0906	1	SAW FILTER B40A B41A	FTB40A41A_RF	CRITICAL	N69H
152S1983	1	1.5NH 01005 +/-0.1NH	L4517_RF	CRITICAL	N69H
152S2061	1	7.5NH 01005 3%	L4507_RF	CRITICAL	N69H
117S0161	1	0R 01005	R4531_RF	CRITICAL	N69H
152S2040	1	4.3NH 01005 3%	L4506_RF	CRITICAL	N69H
131S00042	1	0.3PF +/-0.05PF 01005 16V	C4528_RF	CRITICAL	N69H
131S0307	1	100PF 01005 16V	C4533_RF	CRITICAL	N69H
131S0244	1	1PF 01005 16V	C4502_RF	CRITICAL	N69H
138S0706	1	1UF 0201 10V	C4506_RF	CRITICAL	N69H
131S0644	1	68PF 01005 25V	C4532_RF	CRITICAL	N69H
131S00042	1	0.3PF 01005 16V	C4520_RF	CRITICAL	N69H
152S2002	1	2.7NH 0201 +/-0.1NH	L4522_RF	CRITICAL	N69H
152S1982	1	1.3NH 01005 +/-0.1NH	L4520_RF	CRITICAL	N69H
155S0982	1	FILTER B40	FT_B40_RF	CRITICAL	N69H
152S1986	1	2.2NH 01005 +/-0.1NH	L4526_RF	CRITICAL	N69H
152S1853	1	9.1NH 01005 3%	L4523_RF	CRITICAL	N69H
152S2002	1	2.7NH 0201 +/-0.1NH	L4515_RF	CRITICAL	N69H
152S1408	1	7.5NH 01005 5%	L4528_RF	CRITICAL	N69H
152S00035	1	3.1NH 01005 +/-0.1NH	L4516_RF	CRITICAL	N69H
131S0395	1	3.0PF 01005 +/-0.1PF	C4521_RF	CRITICAL	N69H
152S1853	1	9.1NH 01005 3%	L4527_RF	CRITICAL	N69H
155S0900	1	FILTER SAW BAND 41B 41C	FT_41BC_RF	CRITICAL	N69H
152S1965	1	1.8NH 01005 380MA	L4524_RF	CRITICAL	N69H
152S2024	1	1.4NH 0201 1.1A	L4525_RF	CRITICAL	N69H
353S4167	1	SWITCH IC LGA16	U_HBS_RF	CRITICAL	N69H
155S0903	1	FILTER SAW B40B 38X	FR38X40B_RF	CRITICAL	N69H
155S0881	1	FILTER LOW PASS B39	FL_B39LP_RF	CRITICAL	N69H
131S0214	1	18PF 01005	C4703_RF	CRITICAL	N69H
152S1917	1	2.0NH 01005 380MA	L4705_RF	CRITICAL	N69H
117S0161	1	00HM 01005	R4700_RF	CRITICAL	N69H
131S0307	1	100PF 01005	C4720_RF	CRITICAL	N69H
155S0902	1	FILTER SAW BAND 40A B41A	FR40A41A_RF	CRITICAL	N69H
152S1619	1	2.2NH 01005 200MA	L4709_RF	CRITICAL	N69H
131S0214	1	18PF 01005	C4701_RF	CRITICAL	N69H
152S00036	1	3.7NH 01005 270MA	L4704_RF	CRITICAL	N69H
152S1989	1	2.7NH 01005 370MA	L4713_RF	CRITICAL	N69H
152S1989	1	2.7NH 01005 370MA	L4712_RF	CRITICAL	N69H
152S00034	1	2.9NH 01005 360MA	L4708_RF	CRITICAL	N69H
152S1576	1	12NH 01005 140MA	L4710_RF	CRITICAL	N69H
131S0216	1	47PF 01005	C4710_RF	CRITICAL	N69H

152S1946	1	1.4NH 01005 220MA	L4706_RF	CRITICAL	N69H
----------	---	-------------------	----------	----------	------

PART#	QTY	DESCRIPTION	REFERENCE DESIGNATOR(S)	CRITICAL	BOM OPTION
353S00373	1	DSM M471A NO B7	U_DSM_RF	CRITICAL	N69
353S00331	1	SKY77826	U_VLBPAD_RF	CRITICAL	N69
118S0729	1	39K 1% 01005	R3312_RF	CRITICAL	N69
118S0724	1	0R 0201	R5137_RF	CRITICAL	N69
152S1993	1	5.1NH 0.1NH 01005 250MA	L4223_RF	CRITICAL	N69
131S0599	1	01005 1.5PF	C4231_RF	CRITICAL	N69

118S0652	1	01005 49.9R	C4211_RF	CRITICAL	N69
118S0652	1	01005 49.9R	C4213_RF	CRITICAL	N69
118S0652	1	01005 49.9R	C4500_RF	CRITICAL	N69
117S0161	1	0R 01005	R4509_RF	CRITICAL	N69

PAGE TITLE		OMIT_TABLE_RF	
	DRAWING NUMBER	051-00648	SIZE
	REVISION	4.0.0	D
NOTICE OF PROPRIETARY PROPERTY:		BRANCH	
THE INFORMATION CONTAINED HEREIN IS THE PROPRIETARY PROPERTY OF APPLE INC. THE POSSESSOR AGREES TO THE FOLLOWING: I TO MAINTAIN THIS DOCUMENT IN CONFIDENCE II NOT TO REPRODUCE OR COPY IT III NOT TO REVEAL OR PUBLISH IT IN WHOLE OR PART IV ALL RIGHTS RESERVED		PAGE	
		54 OF 55	
		SHEET	
		59 OF 60	

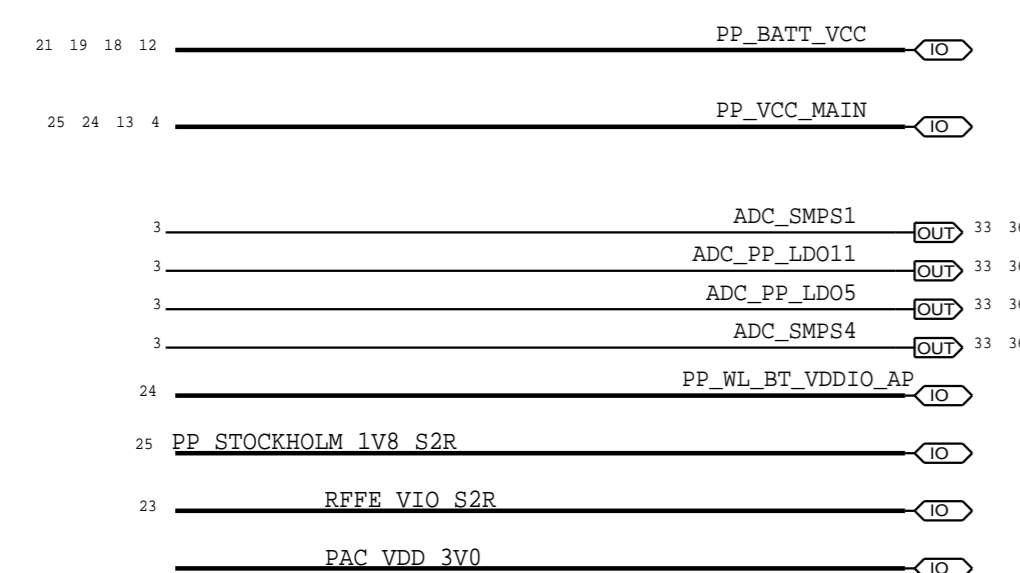
# RADIO SYMBOL (HEIARCHY)

CONFIDENTIAL AND PROPRIETARY APPLE SYSTEM DESIGN. FOR REFERENCE PURPOSES ONLY - NOT A CHANGE REQUEST.

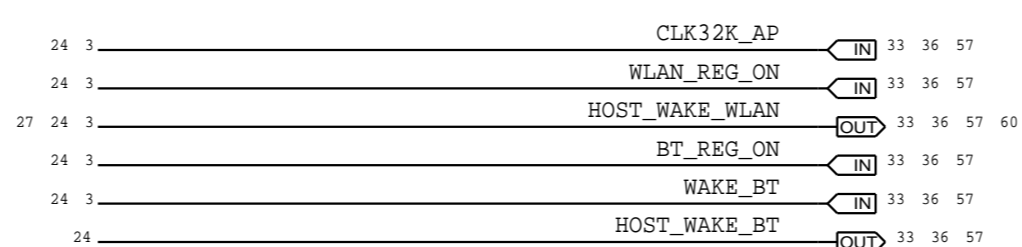
D

D

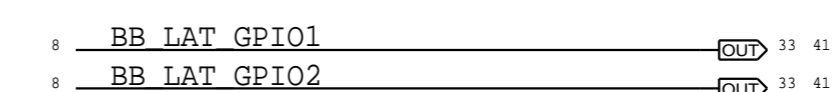
## FCT TESTING



## WLAN/BT HOUSE KEEPING



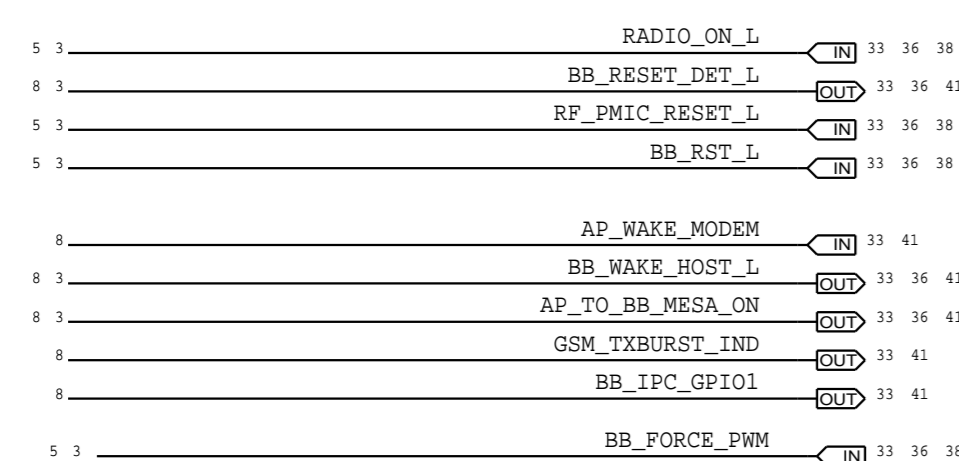
## ANTENNA CONTROL



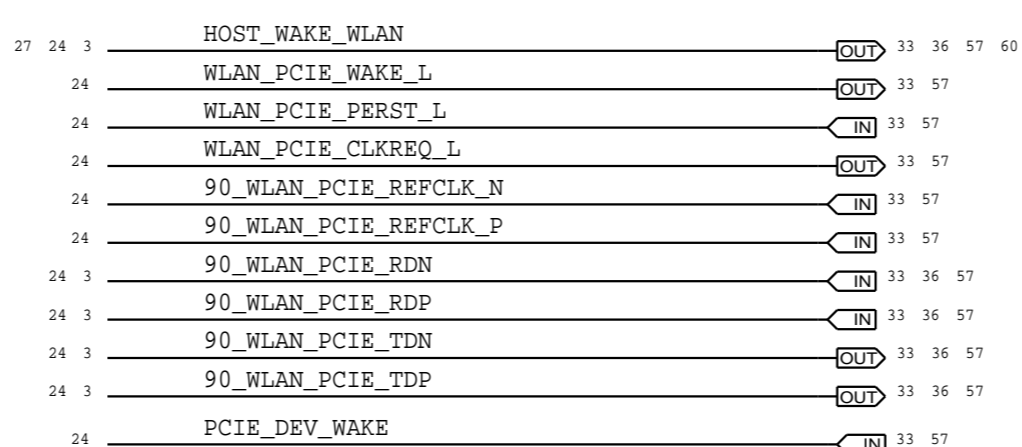
C

C

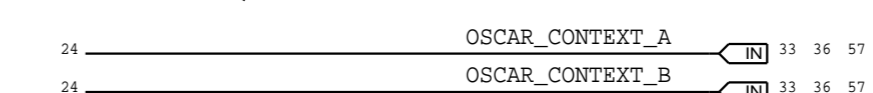
## CELLULAR HOUSE KEEPING



## WLAN PCIE IPC



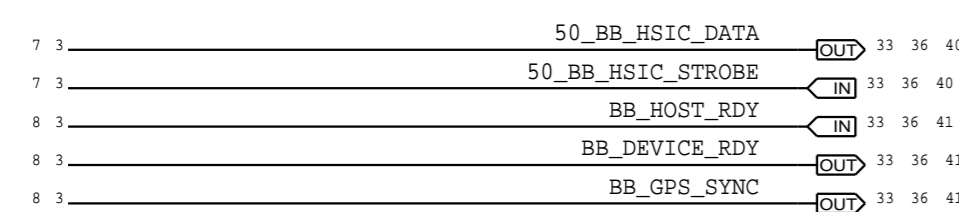
## WLAN/OWL UART



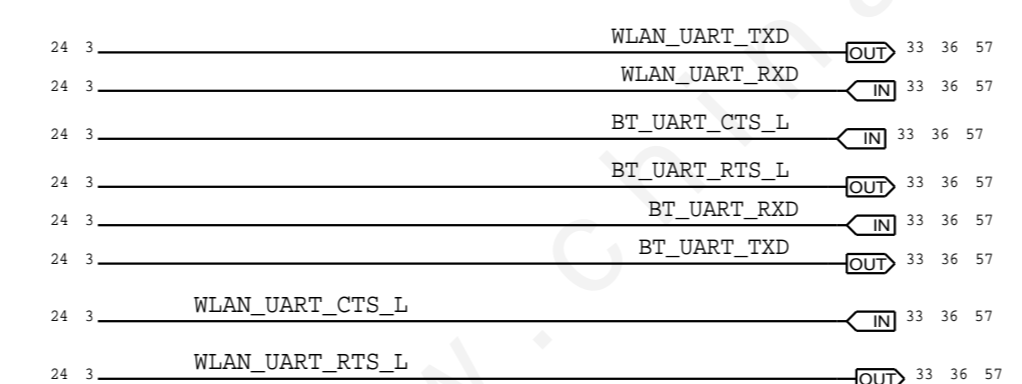
B

B

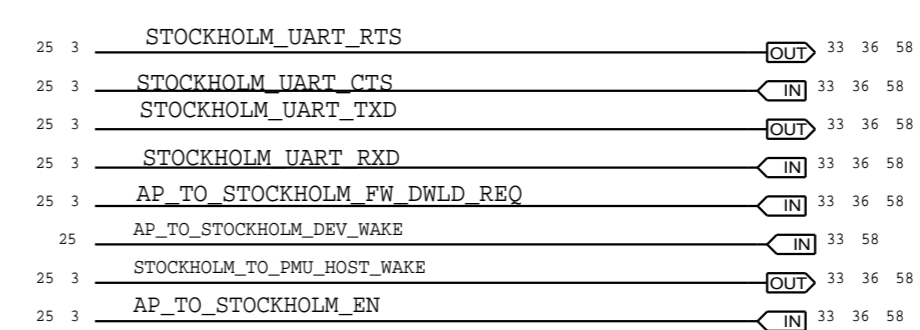
## HSIC IPC



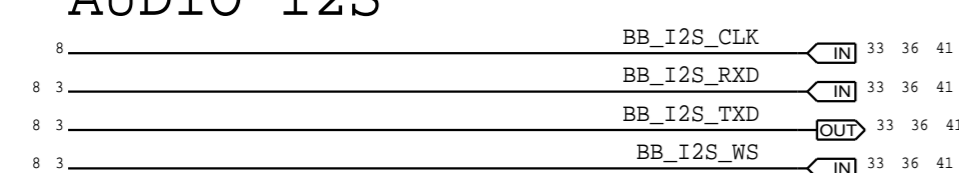
## WLAN/BT UART



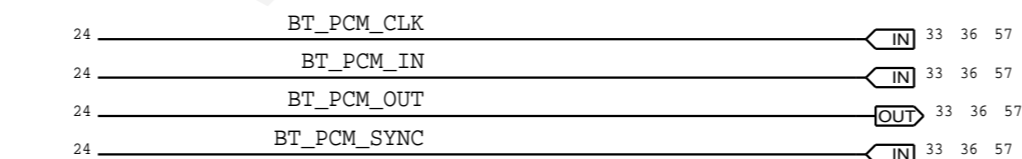
## STOCKHOLM INTERFACES



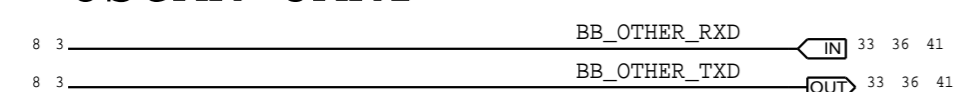
## AUDIO I2S



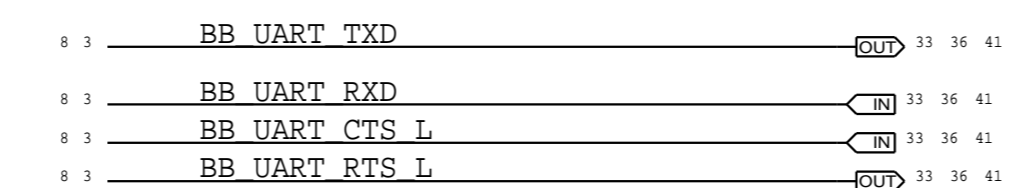
## BT AUDIO PCM



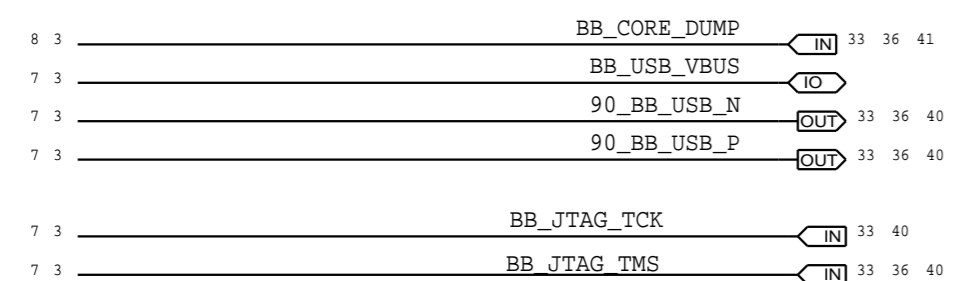
## OSCAR UART



## BB UART



## BB DEBUG INTERFACES



A

A

PAGE TITLE		
Radio Subdesign Ports		
	DRAWING NUMBER	051-00648
	REVISION	4.0.0
NOTICE OF PROPRIETARY PROPERTY:		
THE INFORMATION CONTAINED HEREIN IS THE PROPRIETARY PROPERTY OF APPLE INC. THE POSSESSOR AGREES TO THE FOLLOWING: I TO MAINTAIN THIS DOCUMENT IN CONFIDENCE II NOT TO REPRODUCE OR COPY IT III NOT TO REVEAL OR PUBLISH IT IN WHOLE OR PART IV ALL RIGHTS RESERVED		
BRANCH	PAGE	55 OF 55
SHEET	60 OF 60	