

# VICE MLB

2/4/2010 PVT K48-DRI

REV	ECN	DESCRIPTION OF REVISION	CK APPD	DATE
B	0000854735	PRODUCTION RELEASED		2010-02-04

1. ALL RESISTANCE VALUES ARE IN OHMS, 0.1 WATT +/- 5%.
2. ALL CAPACITANCE VALUES ARE IN MICROFARADS.
3. ALL CRYSTALS & OSCILLATOR VALUES ARE IN HERTZ.

D  
C  
B  
A

D  
C  
B  
A

PDF	CSA	CONTENTS	SYNC MASTER	DATE	PDF	CSA	CONTENTS	SYNC MASTER	DATE
1	1	TABLE OF CONTENTS			32	40	AUDIO: AUDIENCE	AUDIO	12/04/2009
2	2	SYSTEM BLOCK DIAGRAM	ALEX	05/02/2009	33	42	AUDIO: DETECT/MIC BIAS	AUDIO	12/04/2009
3	3	POWER BLOCK DIAGRAM	MARK	12/04/2009	34	43	AUDIO: HP CONN	AUDIO	12/04/2009
4	4	CONFIGURATION OPTIONS	MIAMI	08/06/2009	35	45	ALS CONNECTOR	MIAMI	09/16/2009
5	5	FUNC/ICT TEST/BRACKETS	MIAMI	09/16/2009	36	48	I/O EXPANDER	JAMES	12/21/2009
6	6	AP MAIN	JAMES	12/21/2009	37	49	DISPLAY PORT SWITCH	JAMES	12/21/2009
7	7	AP PWR, AP BB&WIFI	JAMES	12/21/2009	38	50	44-PIN LANDSCAPE DOCK CONN	JAMES	12/21/2009
8	8	AP NAND & GPIO, NOR	JAMES	12/21/2009	39	51	60-PIN PORTRAIT DOCK CONN	JAMES	12/21/2009
9	9	AP RGB/CLCD, CAMERA	JAMES	12/21/2009	40	54	BUTTONS CONNECTOR	MIAMI	09/16/2009
10	10	AP TVOUT	JAMES	12/21/2009	41	55	3G CONNECTOR	MIAMI	09/16/2009
11	11	3G AND DEBUG MUXES	JAMES	12/21/2009	42	57	PROX SENSOR	MARKSIN	10/14/2009
12	12	AP MISC & ALIASES	JAMES	12/21/2009	43	67	FLASH	MIAMI	09/16/2009
13	14	MLC	MIAMI	09/16/2009	44	100	CONSTRAINTS	MIAMI	09/16/2009
14	15	MLC ALIASES	MIAMI	09/16/2009	45	101	MORE CONSTRAINTS	MIAMI	09/16/2009
15	17	Power Conn / Alias	MARK	12/04/2009	46	106	PHYSICAL/SPACING RULES	MIAMI	09/16/2009
16	18	DCIN POWER PATH	MARK	12/04/2009	47	113	Cross Reference Page		
17	19	CHARGER	MARK	12/04/2009	48	114	Cross Reference Page		
18	20	PMU	MARK	12/04/2009	49	115	Cross Reference Page		
19	21	PMU	MARK	12/04/2009	50	116	Cross Reference Page		
20	24	3.3V SUPPLY	MARK	12/04/2009	51	117	Cross Reference Page		
21	26	LED BACKLIGHT CONTROLLER	MARK	12/04/2009	52	118	Cross Reference Page		
22	29	DEBUG RESET ACCESS	MIAMI	09/16/2009	53	119	Cross Reference Page		
23	30	GRAPE 1 OF 2	JAMES	12/21/2009					
24	31	GRAPE 2 OF 2	JAMES	12/21/2009					
25	32	LVDS CONNECTOR	MIAMI	09/16/2009					
26	34	MOTION, GYRO, COMPASS/THERM	MIAMI	09/16/2009					
27	35	USB MUX/BRK DET	MIAMI	09/16/2009					
28	36	L61 AUDIO INTERFACE	AUDIO	12/04/2009					
29	37	AUDIO: SPEAKER AMP	AUDIO	12/04/2009					
30	38	AUDIO: HEADPHONE OUT	AUDIO	12/04/2009					
31	39	AUDIO: LINE OUT DOCK ESD CIRCUIT	AUDIO	12/04/2009					

<http://www.apple.com/supplier>

DRAWING  
TITLE=0230  
ASSEMBLY DRAWING  
LAST\_MODIFIED=Thu Feb 4 09:41:44 2010

DRAWING TITLE		VICE MLB	
DRAWING NUMBER		051-8245	SIZE D
REVISION		B.0.0	
NOTICE OF PROPRIETARY PROPERTY:		BRANCH	
THE INFORMATION CONTAINED HEREIN IS THE PROPRIETARY PROPERTY OF APPLE COMPUTER, INC. THE POSSESSOR AGREES TO THE FOLLOWING:		PAGE	
I TO MAINTAIN THIS DOCUMENT IN CONFIDENCE		1 OF 119	
II NOT TO REPRODUCE OR COPY IT		SHEET	
III NOT TO REVEAL OR PUBLISH IT IN WHOLE OR PART		1 OF 53	
IV ALL RIGHTS RESERVED			

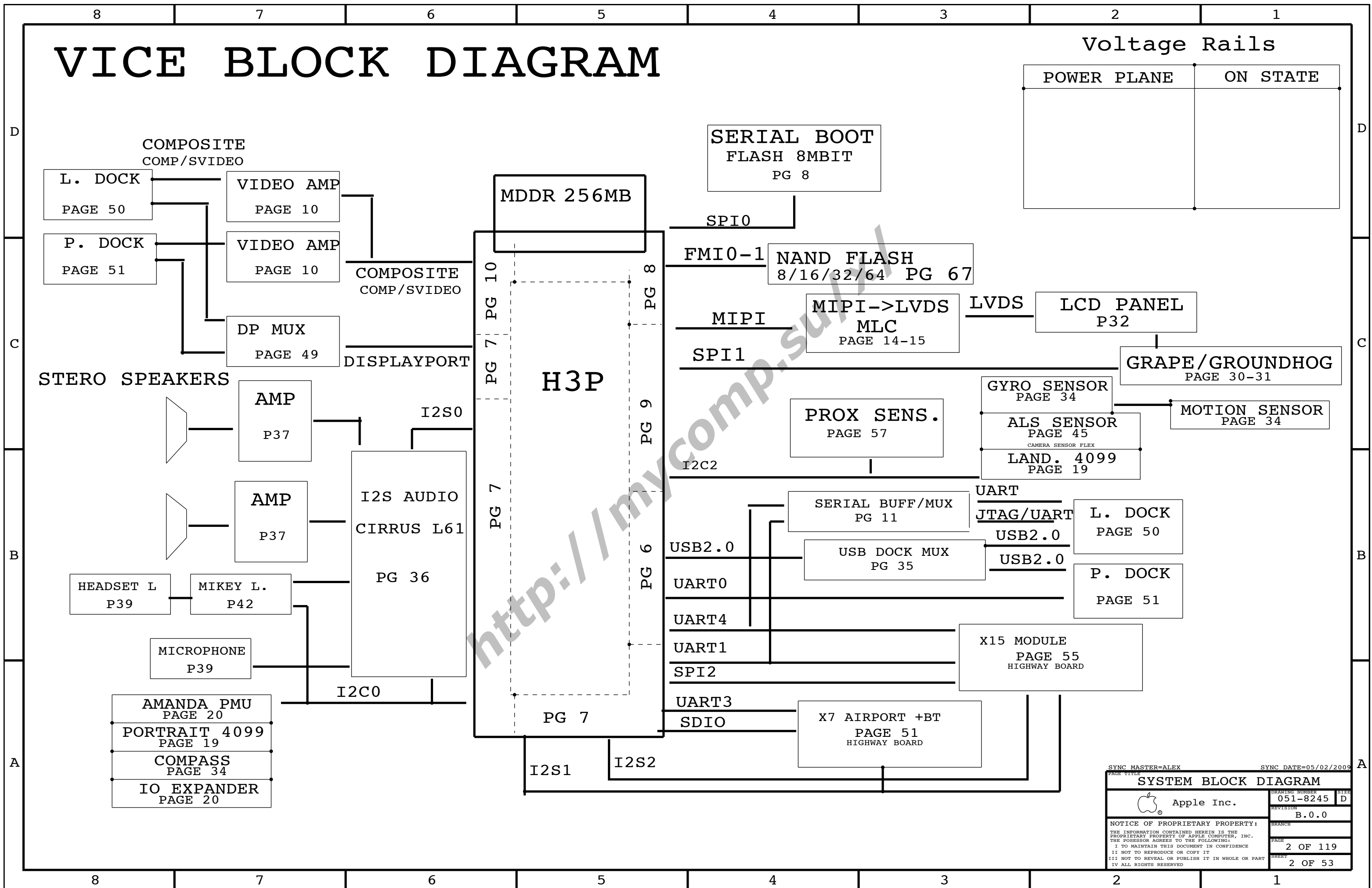




# VICE BLOCK DIAGRAM

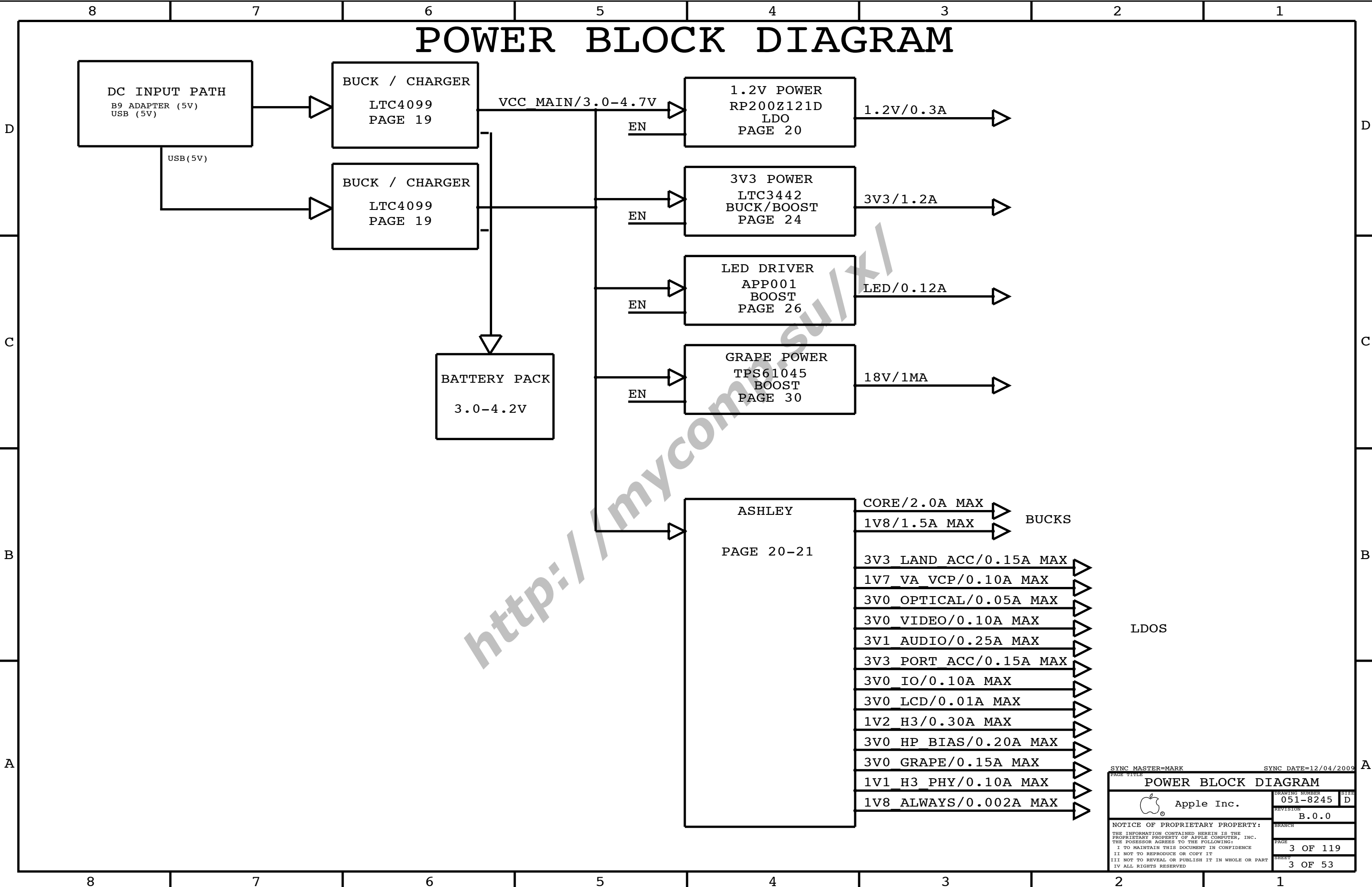
## Voltage Rails

POWER PLANE	ON STATE



PAGE TITLE		SYNC MASTER=ALEX		SYNC DATE=05/02/2009	
<b>SYSTEM BLOCK DIAGRAM</b>					
Apple Inc.		DRAWING NUMBER	051-8245	SIZE	D
		REVISION	B.0.0		
NOTICE OF PROPRIETARY PROPERTY:					
THE INFORMATION CONTAINED HEREIN IS THE PROPRIETARY PROPERTY OF APPLE COMPUTER, INC. THE POSSESSOR AGREES TO THE FOLLOWING:					
I TO MAINTAIN THIS DOCUMENT IN CONFIDENCE					
II NOT TO REPRODUCE OR COPY IT					
III NOT TO REVEAL OR PUBLISH IT IN WHOLE OR PART					
IV ALL RIGHTS RESERVED					
		PAGE	2 OF 119		
		SHEET	2 OF 53		

# POWER BLOCK DIAGRAM



SYNC MASTER=MARK SYNC DATE=12/04/2009

**POWER BLOCK DIAGRAM**

Apple Inc.

DRAWING NUMBER	051-8245	SIZE	D
REVISION	B.0.0	BRANCH	
PAGE		3 OF 119	
SHEET		3 OF 53	

NOTICE OF PROPRIETARY PROPERTY:  
 THE INFORMATION CONTAINED HEREIN IS THE PROPRIETARY PROPERTY OF APPLE COMPUTER, INC. THE POSSESSOR AGREES TO THE FOLLOWING:  
 I TO MAINTAIN THIS DOCUMENT IN CONFIDENCE  
 II NOT TO REPRODUCE OR COPY IT  
 III NOT TO REVEAL OR PUBLISH IT IN WHOLE OR PART  
 IV ALL RIGHTS RESERVED

Page Notes

Power aliases required by this page:  
(NONE)

Signal aliases required by this page:  
(NONE)

BOM options provided by this page:

ALL AVAIL BOM OPTIONS

COMMON  
ALTERNATE  
DEMUX  
32GB\_FLASH\_SAM  
12GB\_FLASH  
16GB\_FLASH  
16GB\_FLASH\_TOSH  
8GB\_FLASH  
8GB\_FLASH\_SAM  
BKLT\_PLL  
CAMERA  
JTAG\_2\_WIRE  
JTAG\_1\_WIRE  
PRODUCTION  
DEVELOPMENT  
ADD19  
MIKEY  
INTERNAL\_MIC  
LANDSCAPE\_DOCK  
LEFT\_HS  
LINE\_OUT\_1  
LINE\_OUT\_2  
PORTRAIT\_DOCK

SPEAKER

ADD DEVELOPMENT AND OTHER BOMS ONCE YOU GET BOM NUMBERS

BOM GROUP	BOM OPTIONS
BASIC	COMMON, ALTERNATE
AUDIO	LEFT_HS, SPEAKER, INTERNAL_MIC

USE SCHUTIL BOMCONFIG TO GENERATE CONFIG FILE.  
PUT CONFIG FILE AT SAME LEVEL AS .CPM FILE  
USE "READ BOM-CONFIG" BUTTON ON DMS TO READ IN BOMS

BOM OPTIONS

PROGRAMMABLE PARTS

PART#	QTY	DESCRIPTION	REFERENCE DESIGNATOR(S)	BOM OPTION
-------	-----	-------------	-------------------------	------------

SCH AND BOARD P/N

PART#	QTY	DESCRIPTION	REFERENCE DESIGNATOR(S)	BOM OPTION
051-8245	1	SCHM,VICE,MLB,K48	SCH1	
820-2740	1	PCBA,VICE,MLB,K48	PCB1	

PART#	QTY	DESCRIPTION	REFERENCE DESIGNATOR(S)	BOM OPTION
085-1028	1	DEV,VICE,MLB,K48	DEV1	K48_DEV
085-1133	1	DEV,VICE,MLB,K48H	DEV1	K48M_DEV


VICE BOM OPTIONS

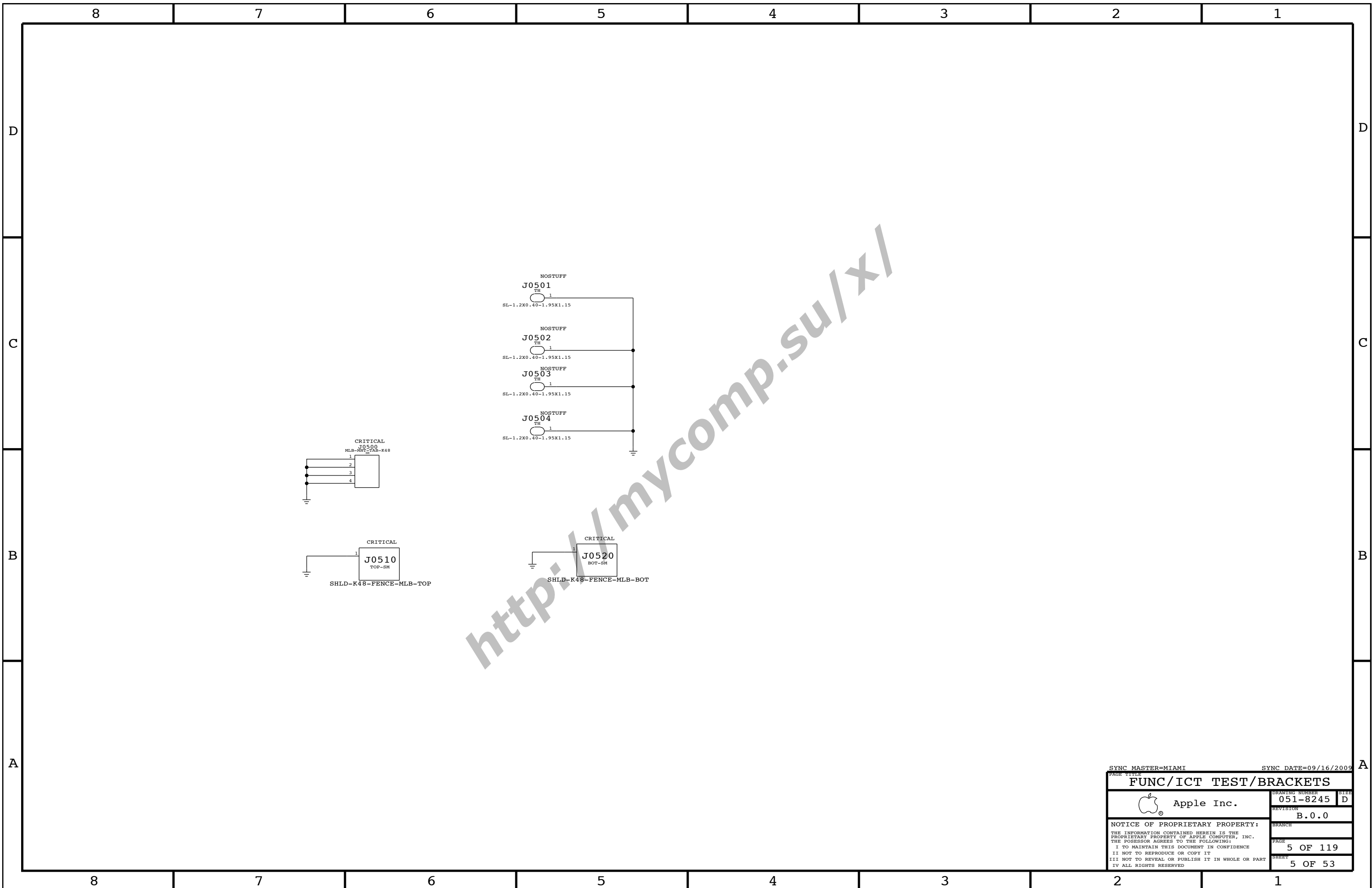
<http://mycomp.su/xl>

USE 825-6447  
NEED MORE LINE ITEMS FOR OTHER CONFIGURATIONS  
BARCODE LABEL/EEE CODES

PART#	QTY	DESCRIPTION	REFERENCE DESIGNATOR(S)	CRITICAL	BOM OPTION
825-7456	1	EEE FOR 639-0455 (16G)	EEE_BWY	CRITICAL	EEE_16G
825-7456	1	EEE FOR 639-0601 (32G)	EEE_D66	CRITICAL	EEE_32G
825-7456	1	EEE FOR 639-0598 (64G)	EEE_D61	CRITICAL	EEE_64G
825-7456	1	EEE FOR 639-0602 (16G)M	EEE_D67	CRITICAL	EEE_16G_M
825-7456	1	EEE FOR 639-0599 (32G)M	EEE_D62	CRITICAL	EEE_32G_M
825-7456	1	EEE FOR 639-0600 (64G)M	EEE_D63	CRITICAL	EEE_64G_M

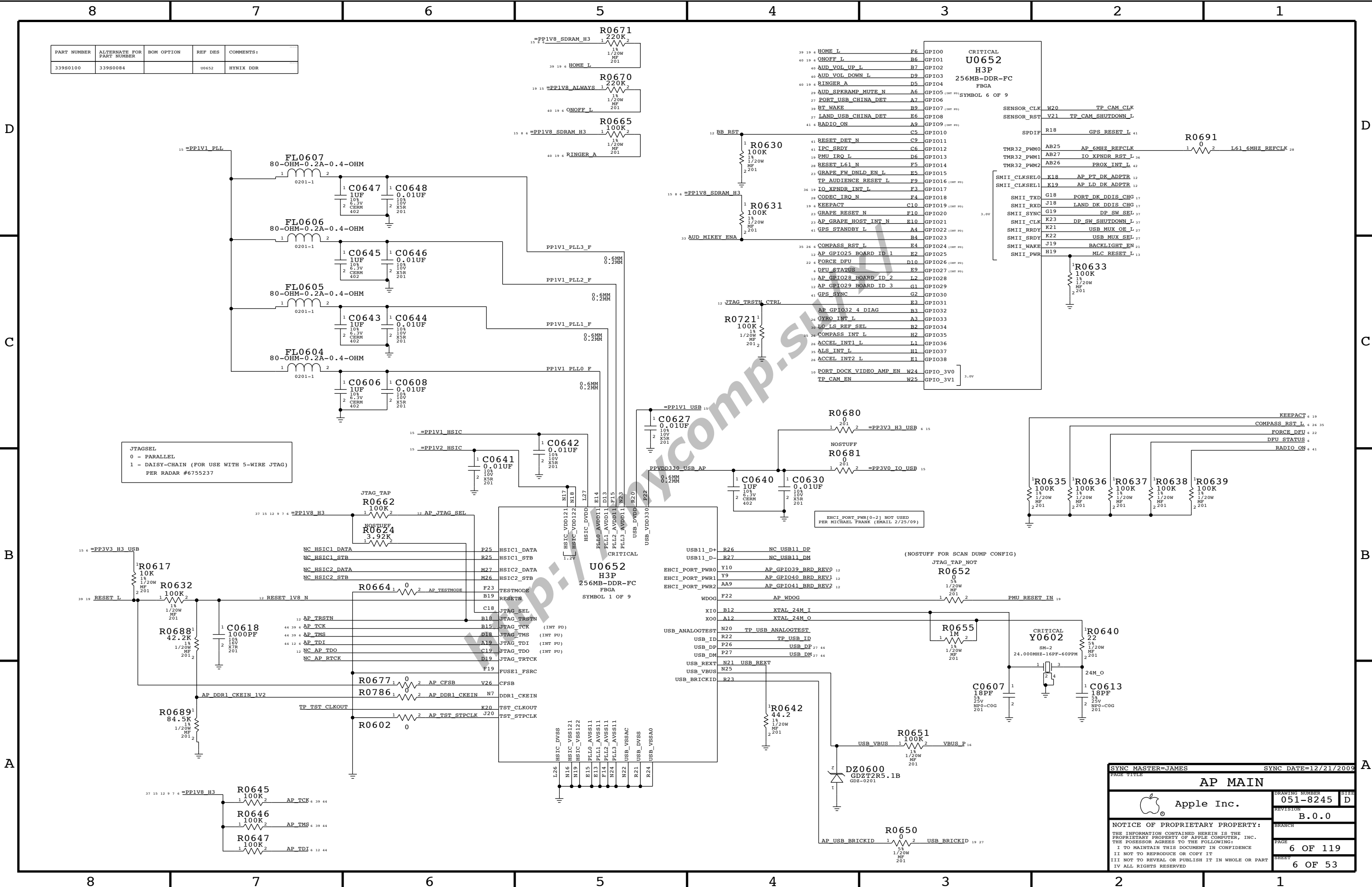
SYNC MASTER=MIAMI SYNC DATE=08/06/2009

<b>CONFIGURATION OPTIONS</b>	
 Apple Inc.	DRAWING NUMBER 051-8245 SIZE D
REVISION B.0.0	
NOTICE OF PROPRIETARY PROPERTY: THE INFORMATION CONTAINED HEREIN IS THE PROPRIETARY PROPERTY OF APPLE COMPUTER, INC. THE POSSESSOR AGREES TO THE FOLLOWING: I TO MAINTAIN THIS DOCUMENT IN CONFIDENCE II NOT TO REPRODUCE OR COPY IT III NOT TO REVEAL OR PUBLISH IT IN WHOLE OR PART IV ALL RIGHTS RESERVED	
PAGE 4 OF 119	
SHEET 4 OF 53	



SYNC MASTER=MIAMI		SYNC DATE=09/16/2009	
PAGE TITLE <b>FUNC/ICT TEST/BRACKETS</b>			
DRAWING NUMBER 051-8245		SIZE D	
REVISION B.0.0		BRANCH	
NOTICE OF PROPRIETARY PROPERTY: THE INFORMATION CONTAINED HEREIN IS THE PROPRIETARY PROPERTY OF APPLE COMPUTER, INC. THE POSSESSOR AGREES TO THE FOLLOWING: I TO MAINTAIN THIS DOCUMENT IN CONFIDENCE II NOT TO REPRODUCE OR COPY IT III NOT TO REVEAL OR PUBLISH IT IN WHOLE OR PART IV ALL RIGHTS RESERVED			
PAGE 5 OF 119		SHEET 5 OF 53	

PART NUMBER	ALTERNATE FOR PART NUMBER	BOM OPTION	REF DES	COMMENTS:
339S0100	339S0084		U0652	HYNIX DDR

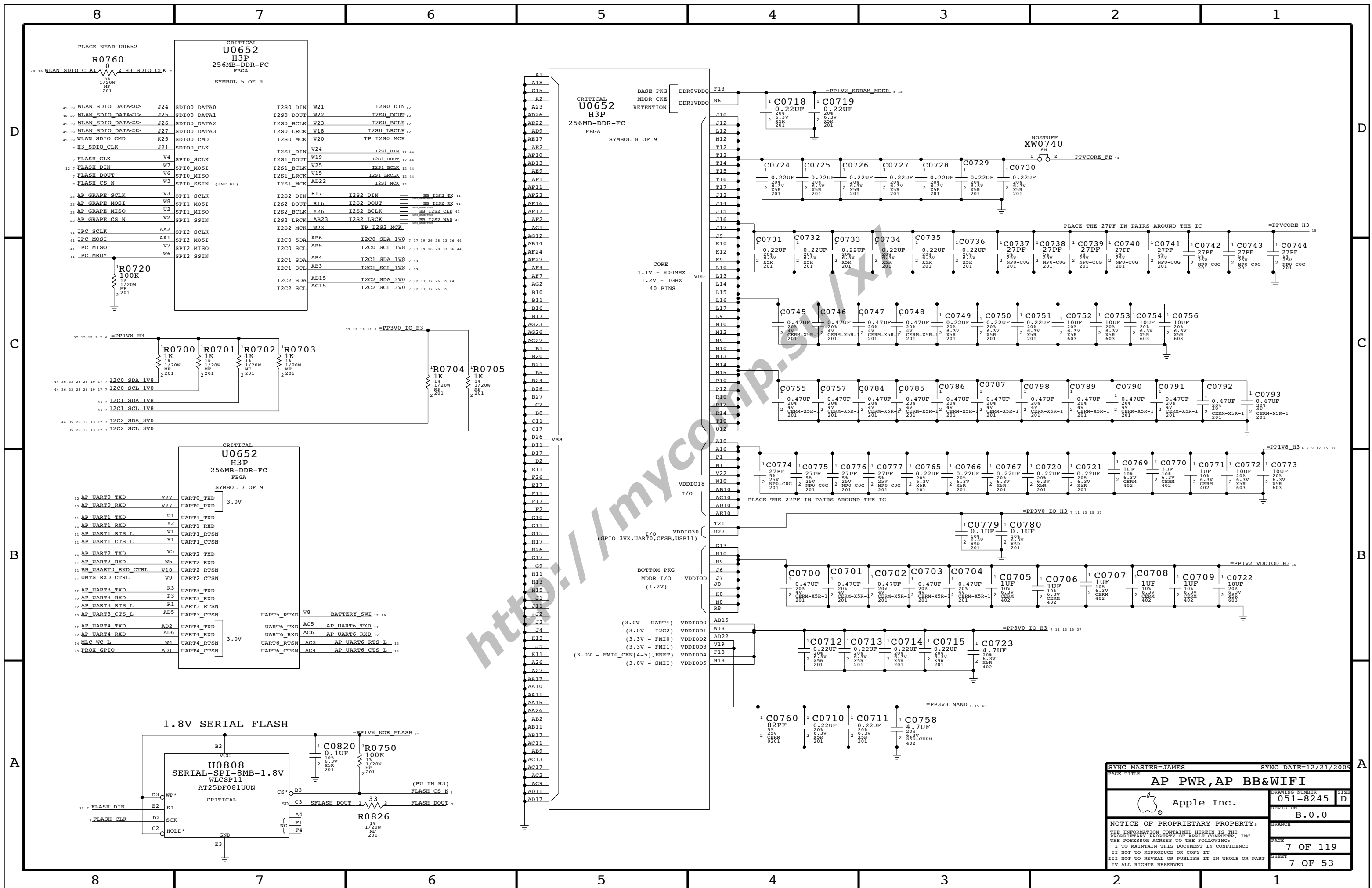


JTAGSEL  
 0 - PARALLEL  
 1 - DAISY-CHAIN (FOR USE WITH 5-WIRE JTAG)  
 PER RADAR #6755237

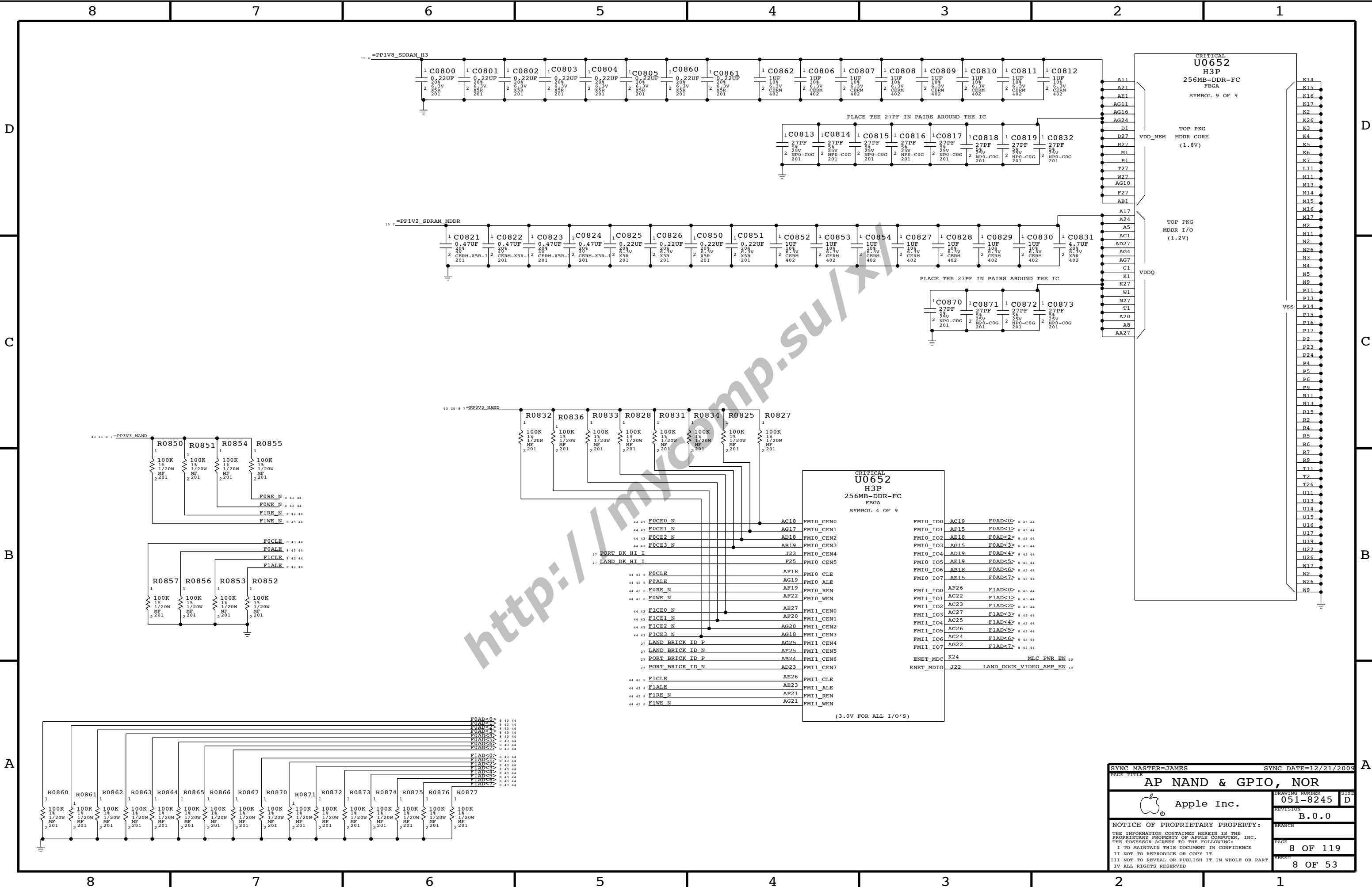
EHCI PORT PWR(0-2) NOT USED  
 PER MICHAEL FRANK (EMAIL 2/25/09)

PAGE TITLE		SYNC DATE=12/21/2009	
<b>AP MAIN</b>			
Apple Inc.		DRAWING NUMBER	SIZE
NOTICE OF PROPRIETARY PROPERTY: THE INFORMATION CONTAINED HEREIN IS THE PROPRIETARY PROPERTY OF APPLE COMPUTER, INC. THE POSSESSOR AGREES TO THE FOLLOWING: I TO MAINTAIN THIS DOCUMENT IN CONFIDENCE II NOT TO REPRODUCE OR COPY IT III NOT TO REVEAL OR PUBLISH IT IN WHOLE OR PART IV ALL RIGHTS RESERVED		REVISION	
		BRANCH	
		PAGE	6 OF 119
		SHEET	6 OF 53



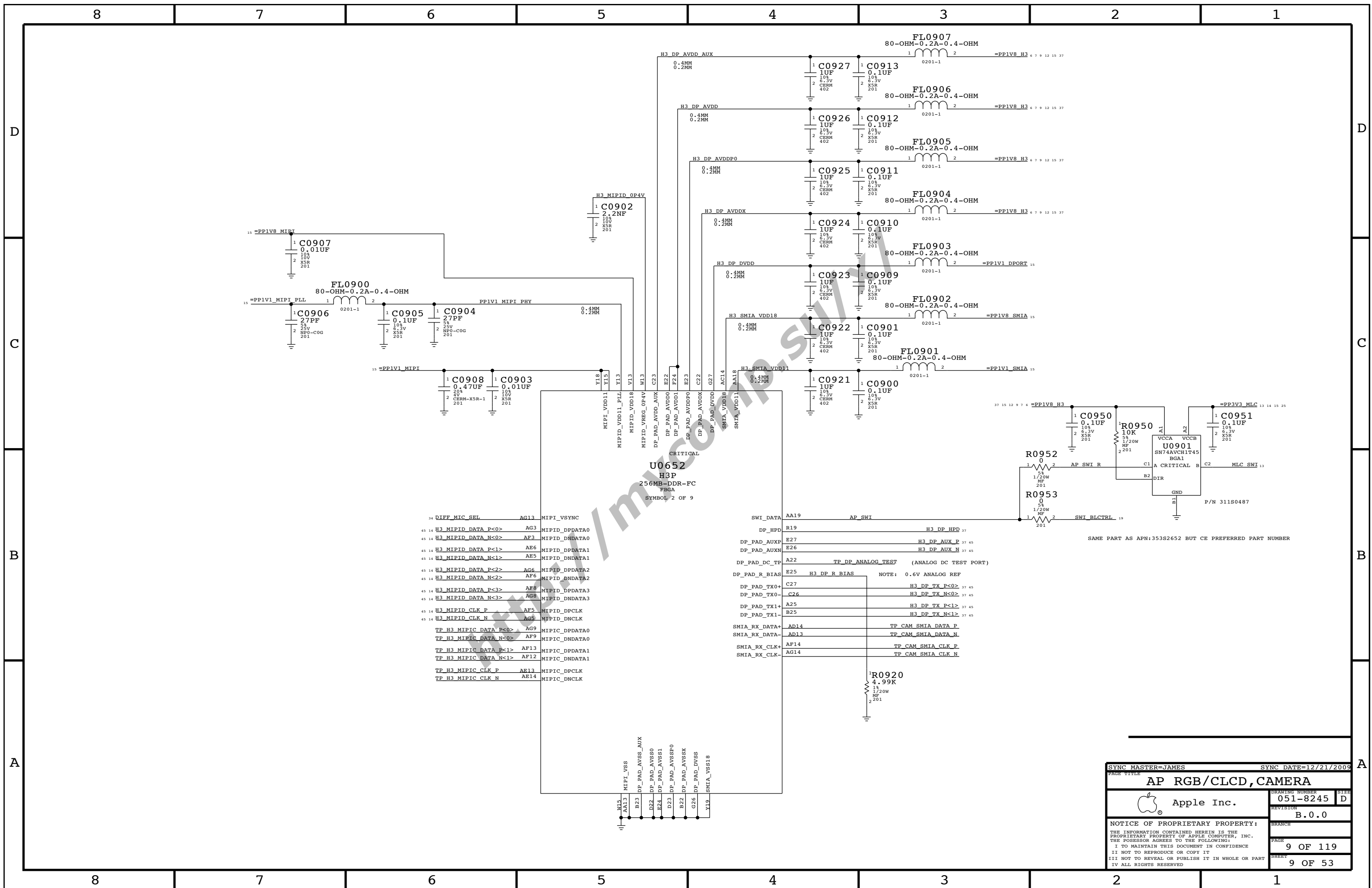


SYNC MASTER=JAMES		SYNC DATE=12/21/2009	
PAGE TITLE			
<b>AP PWR, AP BB&amp;WiFi</b>		DRAWING NUMBER	SIZE
Apple Inc.		051-8245	D
		REVISION	
		B.0.0	
NOTICE OF PROPRIETARY PROPERTY:			
THE INFORMATION CONTAINED HEREIN IS THE PROPRIETARY PROPERTY OF APPLE COMPUTER, INC. THE POSSESSOR AGREES TO THE FOLLOWING:			
I TO MAINTAIN THIS DOCUMENT IN CONFIDENCE			
II NOT TO REPRODUCE OR COPY IT			
III NOT TO REVEAL OR PUBLISH IT IN WHOLE OR PART			
IV ALL RIGHTS RESERVED			
PAGE	7 OF 119		SHEET
			7 OF 53



<http://mycomp.su/xl>

SYNC MASTER=JAMES SYNC DATE=12/21/2009  
 PAGE TITLE  
**AP NAND & GPIO, NOR**  
 Apple Inc. DRAWING NUMBER 051-8245 SIZE D  
 REVISION B.0.0  
 NOTICE OF PROPRIETARY PROPERTY:  
 THE INFORMATION CONTAINED HEREIN IS THE PROPRIETARY PROPERTY OF APPLE COMPUTER, INC. THE POSSESSOR AGREES TO THE FOLLOWING:  
 I TO MAINTAIN THIS DOCUMENT IN CONFIDENCE  
 II NOT TO REPRODUCE OR COPY IT  
 III NOT TO REVEAL OR PUBLISH IT IN WHOLE OR PART  
 IV ALL RIGHTS RESERVED  
 PAGE 8 OF 119  
 SHEET 8 OF 53



**U0652**  
H3P  
256MB-DDR-FC  
FBGA  
SYMBOL 2 OF 9

34 DIFF MIC SEL	AG13	MIPI_VSYNC
45 H3_MIPID_DATA_P<0>	AG3	MIPI_DPDATA0
45 H3_MIPID_DATA_N<0>	AF3	MIPI_DNDATA0
45 H3_MIPID_DATA_P<1>	AE6	MIPI_DPDATA1
45 H3_MIPID_DATA_N<1>	AE5	MIPI_DNDATA1
45 H3_MIPID_DATA_P<2>	AG6	MIPI_DPDATA2
45 H3_MIPID_DATA_N<2>	AF6	MIPI_DNDATA2
45 H3_MIPID_DATA_P<3>	AF8	MIPI_DPDATA3
45 H3_MIPID_DATA_N<3>	AG8	MIPI_DNDATA3
45 H3_MIPID_CLK_P	AF5	MIPI_DPCLK
45 H3_MIPID_CLK_N	AG5	MIPI_DNCLK
TP H3_MIPIC_DATA_P<0>	AG9	MIPI_DPDATA0
TP H3_MIPIC_DATA_N<0>	AF9	MIPI_DNDATA0
TP H3_MIPIC_DATA_P<1>	AF13	MIPI_DPDATA1
TP H3_MIPIC_DATA_N<1>	AF12	MIPI_DNDATA1
TP H3_MIPIC_CLK_P	AE13	MIPI_DPCLK
TP H3_MIPIC_CLK_N	AE14	MIPI_DNCLK

SWI_DATA	AA19	AP_SWI
DP_HPD	R19	H3_DP_HPD
DP_PAD_AUXP	E27	H3_DP_AUX_P
DP_PAD_AUXN	E26	H3_DP_AUX_N
DP_PAD_DC_TP	A22	TP_DP_ANALOG_TEST (ANALOG DC TEST PORT)
DP_PAD_R_BIAS	E25	H3_DP_R_BIAS NOTE: 0.6V ANALOG REF
DP_PAD_TX0+	C27	H3_DP_TX_P<0>
DP_PAD_TX0-	C26	H3_DP_TX_N<0>
DP_PAD_TX1+	A25	H3_DP_TX_P<1>
DP_PAD_TX1-	B25	H3_DP_TX_N<1>
SMIA_RX_DATA+	AD14	TP_CAM_SMIA_DATA_P
SMIA_RX_DATA-	AD13	TP_CAM_SMIA_DATA_N
SMIA_RX_CLK+	AF14	TP_CAM_SMIA_CLK_P
SMIA_RX_CLK-	AG14	TP_CAM_SMIA_CLK_N

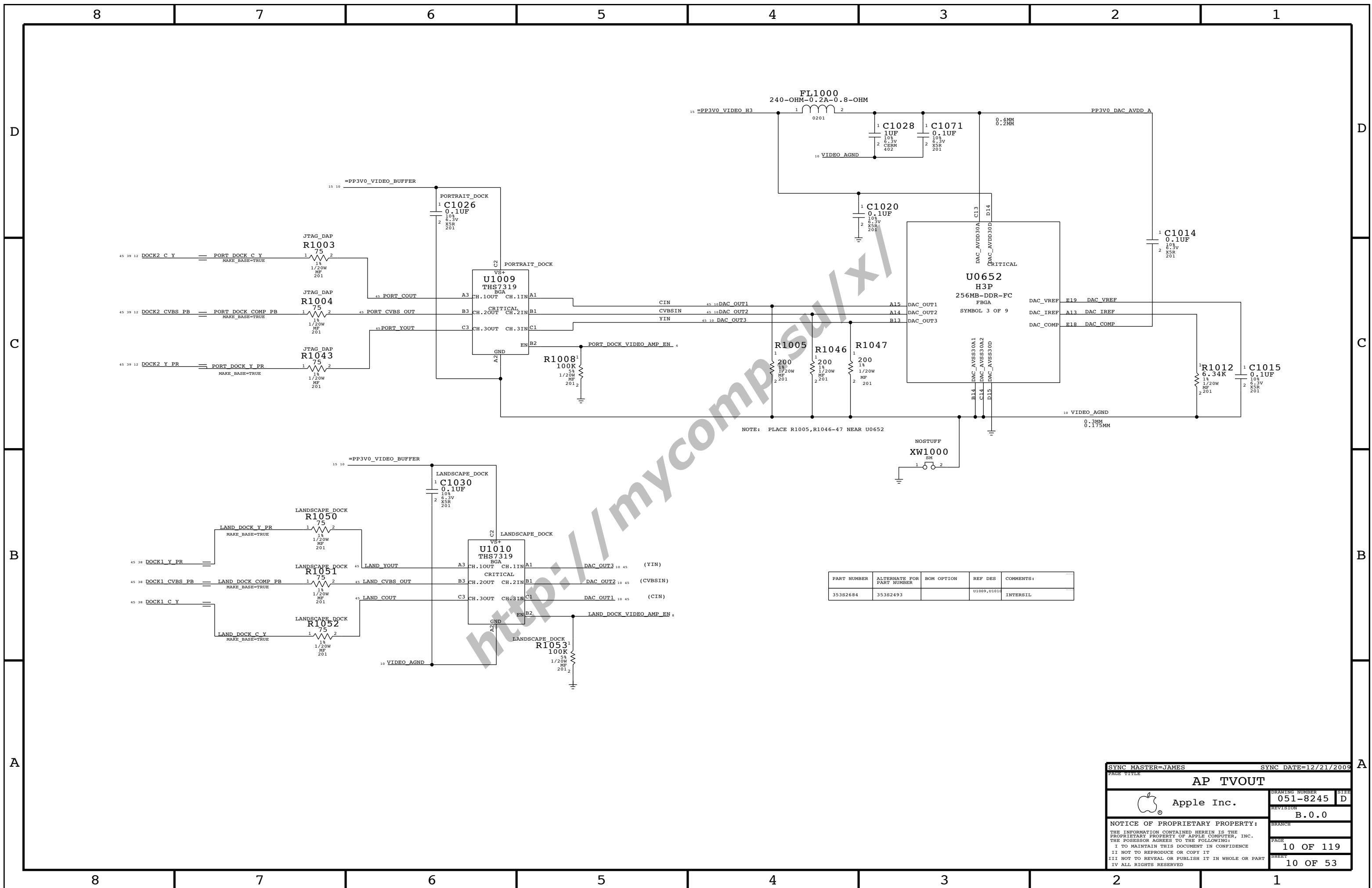
SYNC MASTER=JAMES SYNC DATE=12/21/2009

**AP RGB/CLCD, CAMERA**

Apple Inc.

DRAWING NUMBER	051-8245	SIZE	D
REVISION	B.0.0	BRANCH	
PAGE	9 OF 119	SHEET	9 OF 53

NOTICE OF PROPRIETARY PROPERTY:  
THE INFORMATION CONTAINED HEREIN IS THE PROPRIETARY PROPERTY OF APPLE COMPUTER, INC. THE POSSESSOR AGREES TO THE FOLLOWING:  
I TO MAINTAIN THIS DOCUMENT IN CONFIDENCE  
II NOT TO REPRODUCE OR COPY IT  
III NOT TO REVEAL OR PUBLISH IT IN WHOLE OR PART  
IV ALL RIGHTS RESERVED



NOTE: PLACE R1005, R1046-47 NEAR U0652

NOSTUFF

PART NUMBER	ALTERNATE FOR PART NUMBER	BOM OPTION	REF DES	COMMENTS:
35382684	35382493		U1009, U1010	INTERSIL

SYNC MASTER=JAMES SYNC DATE=12/21/2009

AP TVOUT

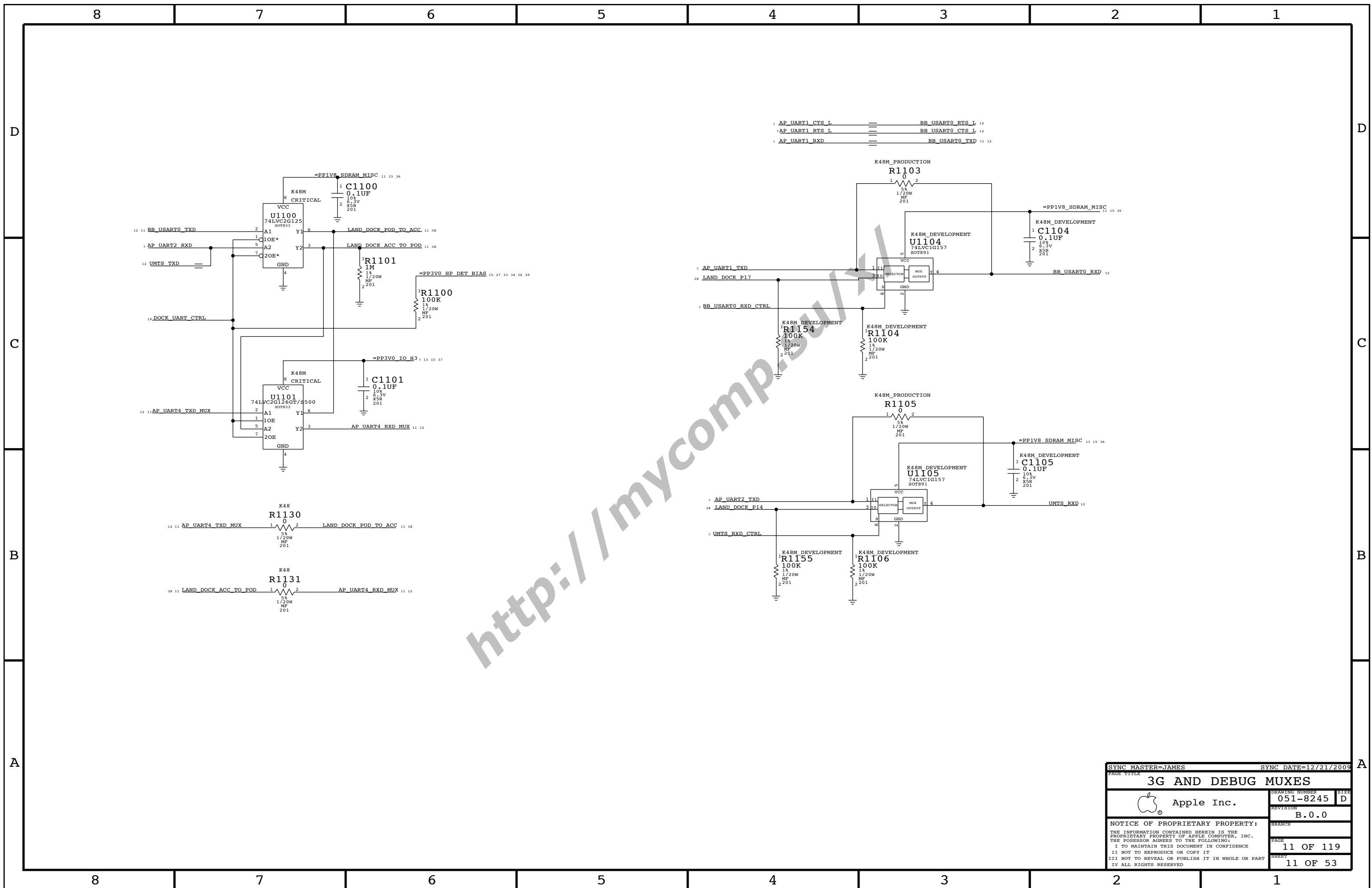
Apple Inc.

DRAWING NUMBER: 051-8245 SIZE: D

REVISION: B.0.0

NOTICE OF PROPRIETARY PROPERTY: THE INFORMATION CONTAINED HEREIN IS THE PROPRIETARY PROPERTY OF APPLE COMPUTER, INC. THE POSSESSOR AGREES TO THE FOLLOWING: I TO MAINTAIN THIS DOCUMENT IN CONFIDENCE II NOT TO REPRODUCE OR COPY IT III NOT TO REVEAL OR PUBLISH IT IN WHOLE OR PART IV ALL RIGHTS RESERVED

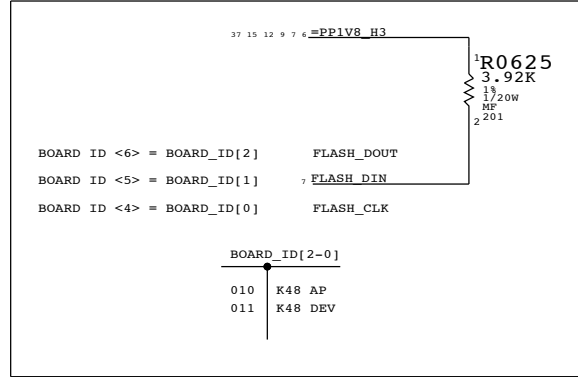
PAGE: 10 OF 119 SHEET: 10 OF 53



7 AP\_UART1\_CTS\_L == BB\_USART0\_RTS\_L 12  
 7 AP\_UART1\_RTS\_L == BB\_USART0\_CTS\_L 12  
 7 AP\_UART1\_RXD == BB\_USART0\_TXD 11 12

SYNC MASTER=JAMES		SYNC DATE=12/21/2009	
PAGE TITLE <b>3G AND DEBUG MUXES</b>			
Apple Inc.	DRAWING NUMBER	051-8245	SIZE D
	REVISION	B.0.0	
NOTICE OF PROPRIETARY PROPERTY:		BRANCH	
THE INFORMATION CONTAINED HEREIN IS THE PROPRIETARY PROPERTY OF APPLE COMPUTER, INC. THE POSSESSOR AGREES TO THE FOLLOWING: I TO MAINTAIN THIS DOCUMENT IN CONFIDENCE II NOT TO REPRODUCE OR COPY IT III NOT TO REVEAL OR PUBLISH IT IN WHOLE OR PART IV ALL RIGHTS RESERVED		PAGE	11 OF 119
		SHEET	11 OF 53

BOARD ID



ALIASES FROM PAGE 7

- 7 I2S0 DIN == AUD\_I2S\_SDOUT\_L61 28
- 7 I2S0 DOUT == AUD\_I2S\_SDIN\_L61 28
- 7 I2S0 BCLK == AUD\_I2S\_BITCLK\_L61 28
- 7 I2S0 LRCLK == AUD\_I2S\_LRC\_L61 28
- 44 I2S1 DIN == BB\_I2S1\_RX 32 41
- 44 I2S1 DOUT == BB\_I2S1\_TX 32 41
- 44 I2S1 BCLK == BB\_I2S1\_CLK 32 41
- 44 I2S1 LRCLK == BB\_I2S1\_WAG 32 41
- 7 I2S1 MCK == L61\_I2S\_MCLK 28
- 7 AP\_UART0\_TXD == PORT\_DOCK\_POD\_TO\_ACC 39
- 7 AP\_UART0\_RXD == PORT\_DOCK\_ACC\_TO\_POD 39
- 7 AP\_UART6\_TXD == GPS\_UART\_RX 41
- 7 AP\_UART6\_RXD == GPS\_UART\_TX 41
- 7 AP\_UART6\_RTS\_L == GPS\_UARTS\_CTS\_L 41
- 7 AP\_UART6\_CTS\_L == GPS\_UARTS\_RTS\_L 41

ALIASES FROM PAGE 11

- 11 BB\_USART0\_TXD == BB\_USART0\_TXD\_CONN 41
- 11 BB\_USART0\_RXD == BB\_USART0\_RXD\_CONN 41
- 11 BB\_USART0\_RTS\_L == BB\_USART0\_RTS\_L\_CONN 41
- 11 BB\_USART0\_CTS\_L == BB\_USART0\_CTS\_L\_CONN 41
- 11 UMTS\_TXD == UMTS\_TXD\_CONN 41
- 11 UMTS\_RXD == UMTS\_RXD\_CONN 41
- 7 AP\_UART4\_TXD == AP\_UART4\_TXD\_MUX 11
- 7 AP\_UART4\_RXD == AP\_UART4\_RXD\_MUX 11
- 12 AP\_GPIO41\_BRD\_REV2 == BB\_FLASH\_ACTIVE 41

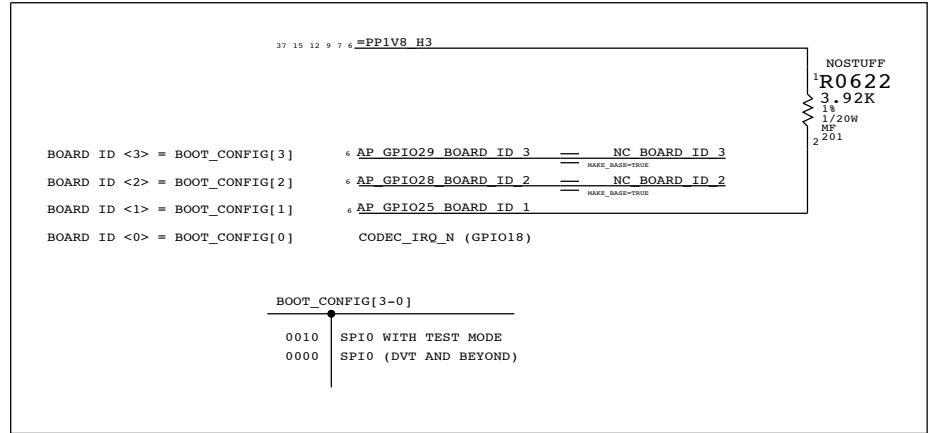
ALIASES FROM PAGE 50

- 39 LAND\_USB\_PWR == USB\_PWR\_A 16
- MAKE\_BASE=TRUE

ALIASES FROM PAGE 51

- 39 CONN\_AP\_UART3\_RTS\_L == AP\_UART3\_RTS\_L 7
- MAKE\_BASE=TRUE
- 39 CONN\_AP\_UART3\_CTS\_L == AP\_UART3\_CTS\_L 7
- MAKE\_BASE=TRUE
- 39 CONN\_AP\_UART3\_TXD == AP\_UART3\_TXD 7
- MAKE\_BASE=TRUE
- 39 CONN\_AP\_UART3\_RXD == AP\_UART3\_RXD 7
- MAKE\_BASE=TRUE

BOOT CONFIG ID

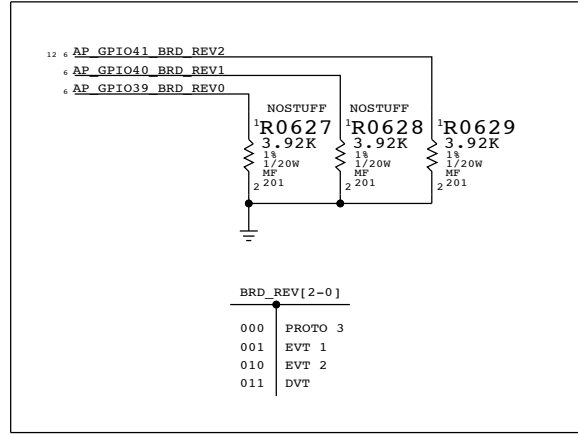


- 6 BB\_RST == BB\_RST\_RADIO 41

ALIASES FOR PAGE 57

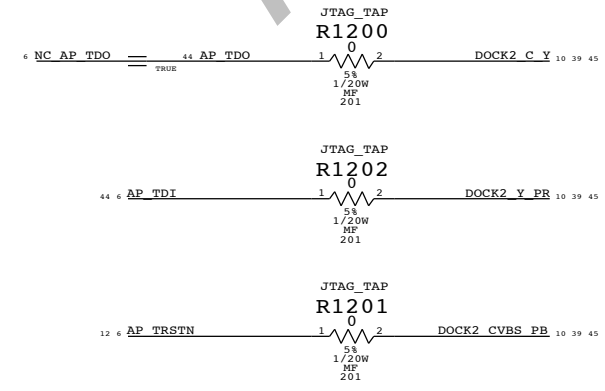
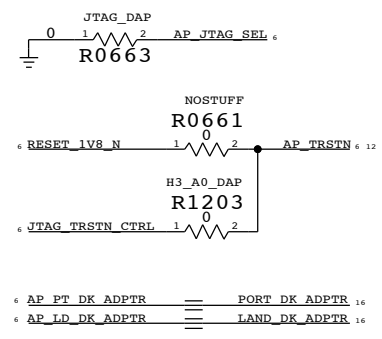
- 42 PROX\_SDA\_3V0 == I2C2\_SDA\_3V0 7 13 17 26 35 44
- 42 PROX\_SCL\_3V0 == I2C2\_SCL\_3V0 7 13 17 26 35
- 42 PROX\_ACSHIELD\_CONN == PROX\_ACSHIELD 42

BOARD REVISION



http://mycomp.su/xl

NOTE: JTAG SCAN DUMP



FOR REFERENCE

0000 SPI0	BOARD_ID[2:0]
0001 SPI1	010 K48AP
0010 SPI0 W/TEST	011 K48 DEV
0011 SPI1 W/TEST	
0100 FMIO 2CS	
0101 FMIO 4CS	
0110 FMIO 4CS W/TEST	
0111 RESERVED	
1000 FMIO 2 CS	BOARD_REV[2:0]
1001 FMIO 4 CS	000 PROTO3
1010 FMIO 4CS W/TEST	
1100 FMIO/1 2/2 CS	
1101 FMIO/1 4/4 CS	
1110 FMIO/1 4/4 CS W/TEST	
1111 RESERVED	

SYNC MASTER=JAMES SYNC DATE=12/21/2009

AP MISC & ALIASES

Apple Inc.

DRAWING NUMBER 051-8245 SIZE D

REVISION B.0.0

NOTICE OF PROPRIETARY PROPERTY:  
 THE INFORMATION CONTAINED HEREIN IS THE PROPRIETARY PROPERTY OF APPLE COMPUTER, INC. THE POSSESSOR AGREES TO THE FOLLOWING:  
 I TO MAINTAIN THIS DOCUMENT IN CONFIDENCE  
 II NOT TO REPRODUCE OR COPY IT  
 III NOT TO REVEAL OR PUBLISH IT IN WHOLE OR PART  
 IV ALL RIGHTS RESERVED

PAGE 12 OF 119

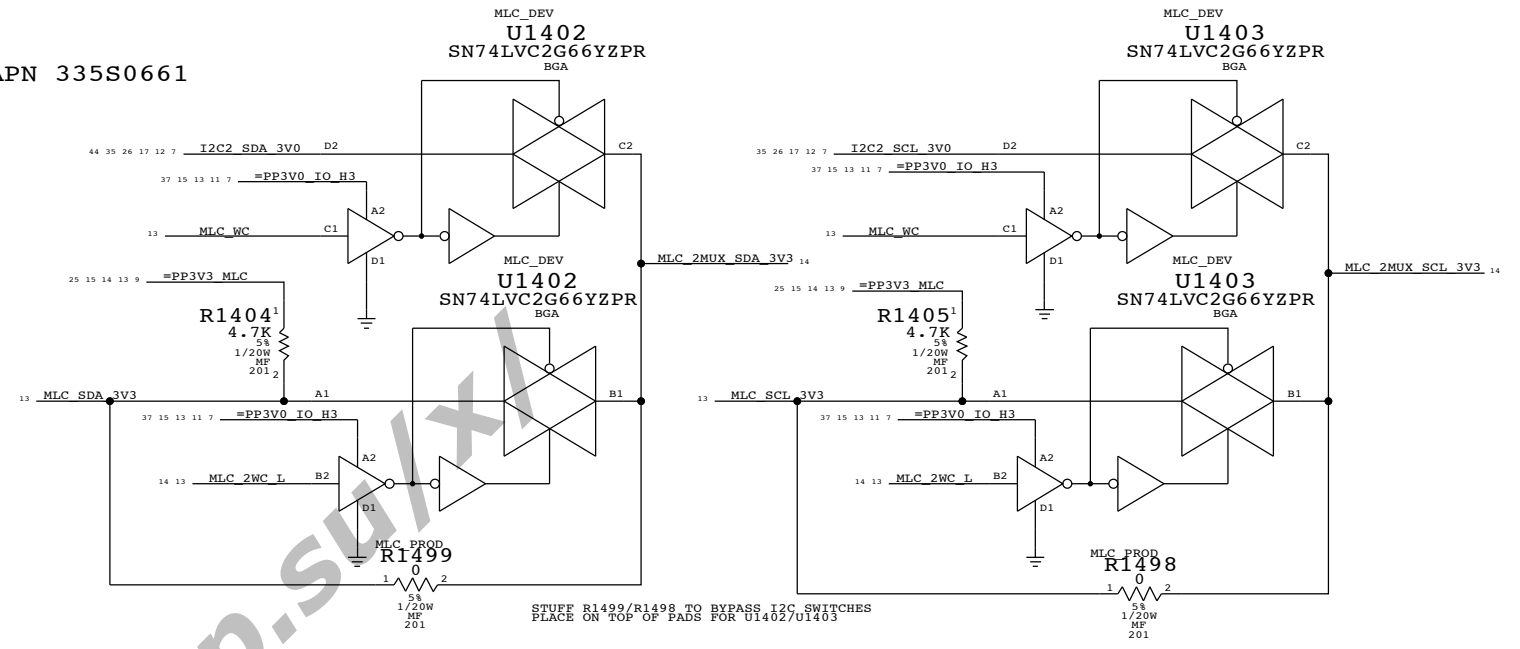
SHEET 12 OF 53

# MLC

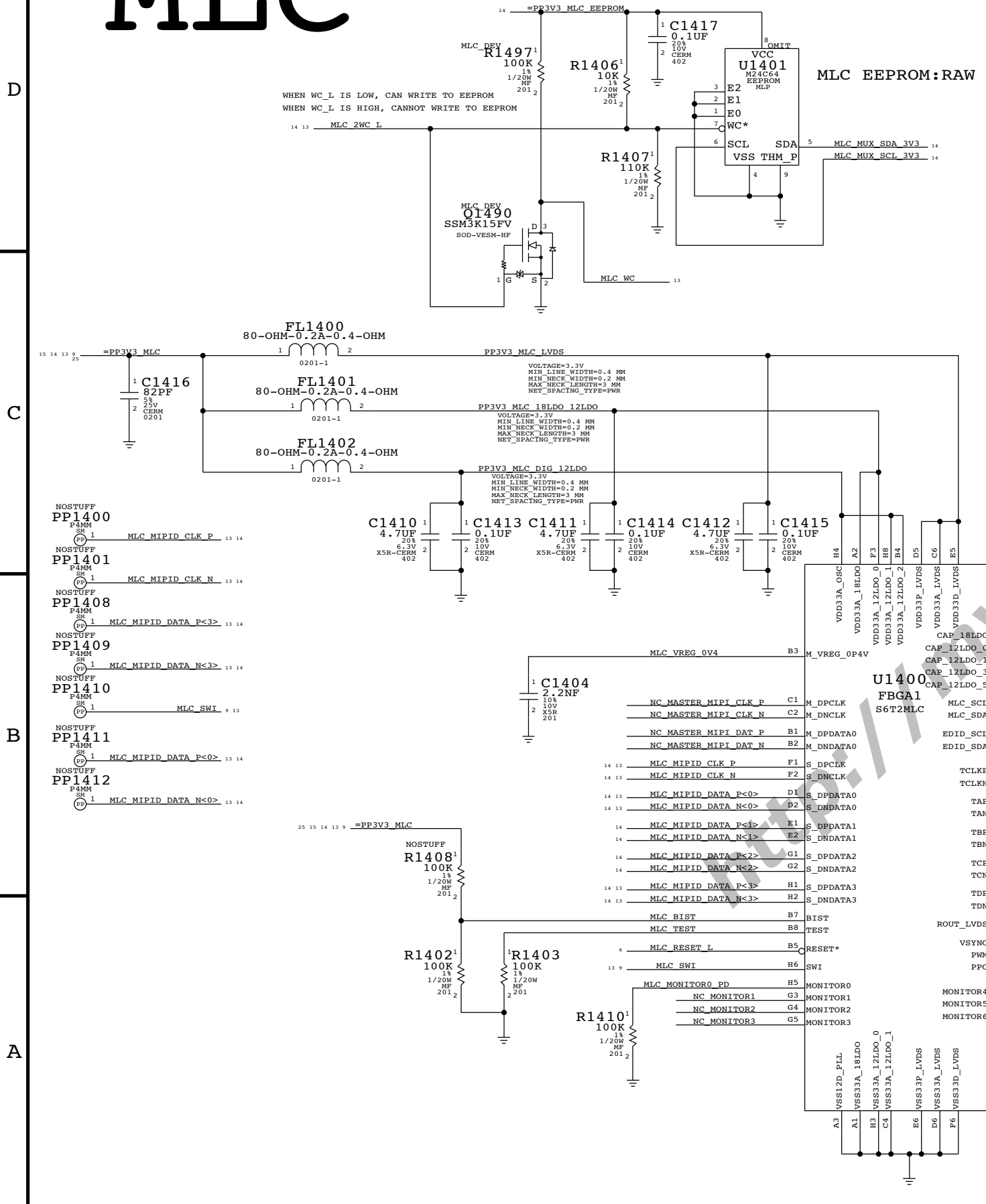
PART#	QTY	DESCRIPTION	REFERENCE DESIGNATOR(S)	CRITICAL	BOM OPTION
34182604	1	MLC EEPROM 54MHZ LVDS,2MHZ SW	U1401	CRITICAL	54MHZ_PANEL
34182606	1	MLC EEPROM 100MHZ LVDS,2MHZ SW	U1401	CRITICAL	100MHZ_PANEL

MLC EEPROM:RAW APN 335S0661

## I2C MUXING CIRCUITRY



WC_L	SELECTED I2C
0	H3P CAN WRITE
1	MLC CAN READ



SYNC MASTER=MIAMI		SYNC DATE=09/16/2009	
<b>MLC</b>			
Apple Inc.		DRAWING NUMBER	SIZE
		051-8245	D
		REVISION	
		B.0.0	
NOTICE OF PROPRIETARY PROPERTY:			
THE INFORMATION CONTAINED HEREIN IS THE PROPRIETARY PROPERTY OF APPLE COMPUTER, INC. THE POSSESSOR AGREES TO THE FOLLOWING:			
I TO MAINTAIN THIS DOCUMENT IN CONFIDENCE			
II NOT TO REPRODUCE OR COPY IT			
III NOT TO REVEAL OR PUBLISH IT IN WHOLE OR PART			
IV ALL RIGHTS RESERVED			
PAGE		SHEET	
14 OF 119		13 OF 53	

# MLC ALIASES


```

45 9 H3 MIPID_CLK_P == MLC MIPID_CLK_P 13
45 9 H3 MIPID_CLK_N MAKE_BASE=TRUE == MLC MIPID_CLK_N 13
      MAKE_BASE=TRUE
45 9 H3 MIPID_DATA_P<0> == MLC MIPID_DATA_P<0> 13
45 9 H3 MIPID_DATA_N<0> MAKE_BASE=TRUE == MLC MIPID_DATA_N<0> 13
      MAKE_BASE=TRUE
45 9 H3 MIPID_DATA_P<1> == MLC MIPID_DATA_P<1> 13
45 9 H3 MIPID_DATA_N<1> MAKE_BASE=TRUE == MLC MIPID_DATA_N<1> 13
      MAKE_BASE=TRUE
45 9 H3 MIPID_DATA_P<2> == MLC MIPID_DATA_P<2> 13
45 9 H3 MIPID_DATA_N<2> MAKE_BASE=TRUE == MLC MIPID_DATA_N<2> 13
      MAKE_BASE=TRUE
45 9 H3 MIPID_DATA_P<3> == MLC MIPID_DATA_P<3> 13
45 9 H3 MIPID_DATA_N<3> MAKE_BASE=TRUE == MLC MIPID_DATA_N<3> 13
      MAKE_BASE=TRUE

13 MLC_MUX_SDA_3V3 == MLC_2MUX_SDA_3V3 13
13 MLC_MUX_SCL_3V3 MAKE_BASE=TRUE == MLC_2MUX_SCL_3V3 13
      MAKE_BASE=TRUE
13 MLC_2WC_L == MLC_WC_L 7
13 =PP3V3_MLC_EEPROM MAKE_BASE=TRUE ==PP3V3_MLC 9 13 15 25
      MAKE_BASE=TRUE

```

<http://mycomp.su/xl>

SYNC MASTER=MIAMI		SYNC DATE=09/16/2009	
PAGE TITLE			
<b>MLC ALIASES</b>			
 Apple Inc.		DRAWING NUMBER	051-8245
		REVISION	B.0.0
NOTICE OF PROPRIETARY PROPERTY: THE INFORMATION CONTAINED HEREIN IS THE PROPRIETARY PROPERTY OF APPLE COMPUTER, INC. THE POSSESSOR AGREES TO THE FOLLOWING: I TO MAINTAIN THIS DOCUMENT IN CONFIDENCE II NOT TO REPRODUCE OR COPY IT III NOT TO REVEAL OR PUBLISH IT IN WHOLE OR PART IV ALL RIGHTS RESERVED		BRANCH	
		PAGE	15 OF 119
		SHEET	14 OF 53
		SIZE	D





# DCIN POWER PATH

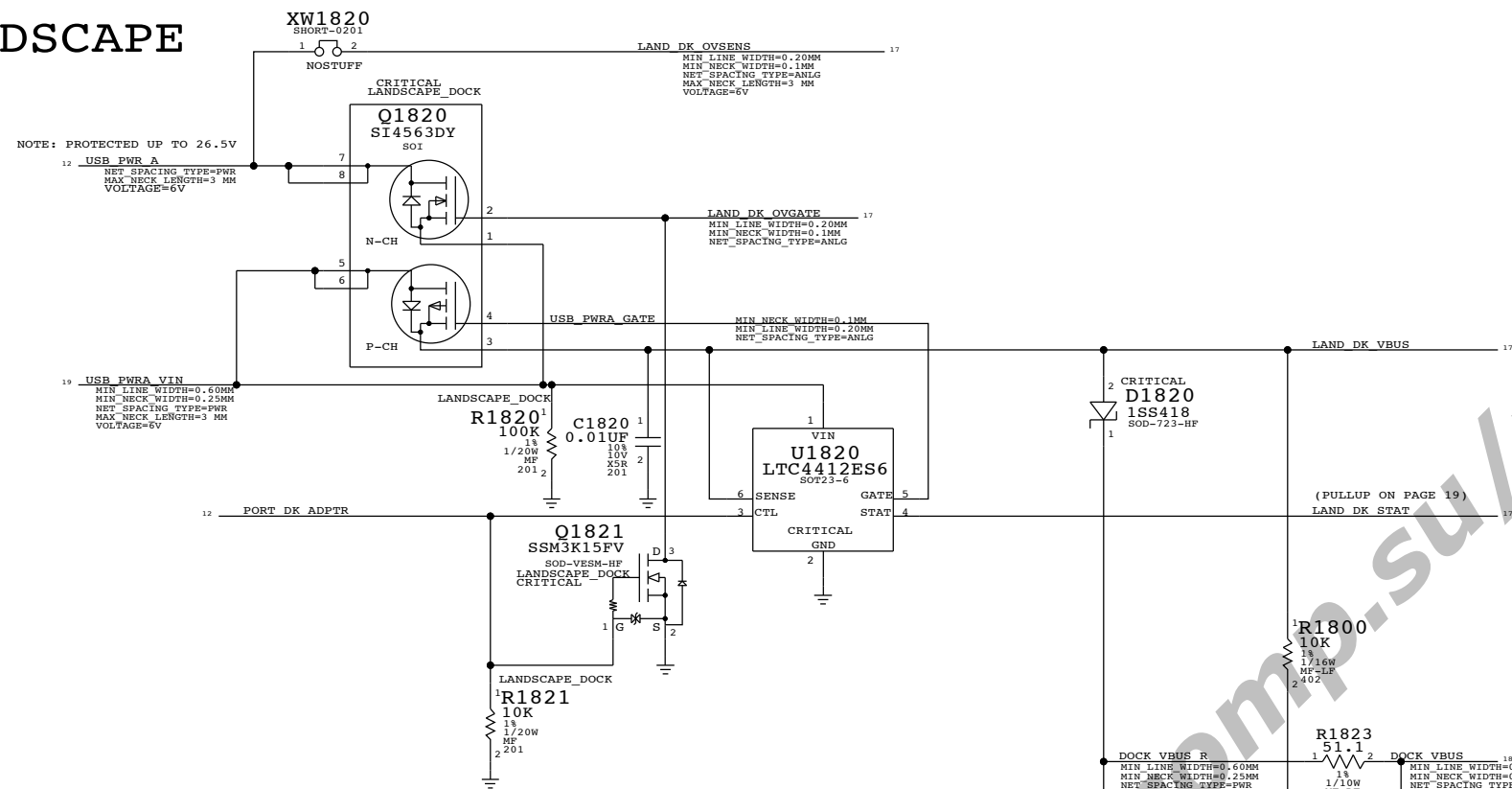
## SO-8 DUAL P/N FETS

MOSFET	SI4563DY
CHANNEL	N-TYPE
RDS(ON)	15 MOHM @4.5V
IMAX	8 A
VGS MAX	+/- 16V

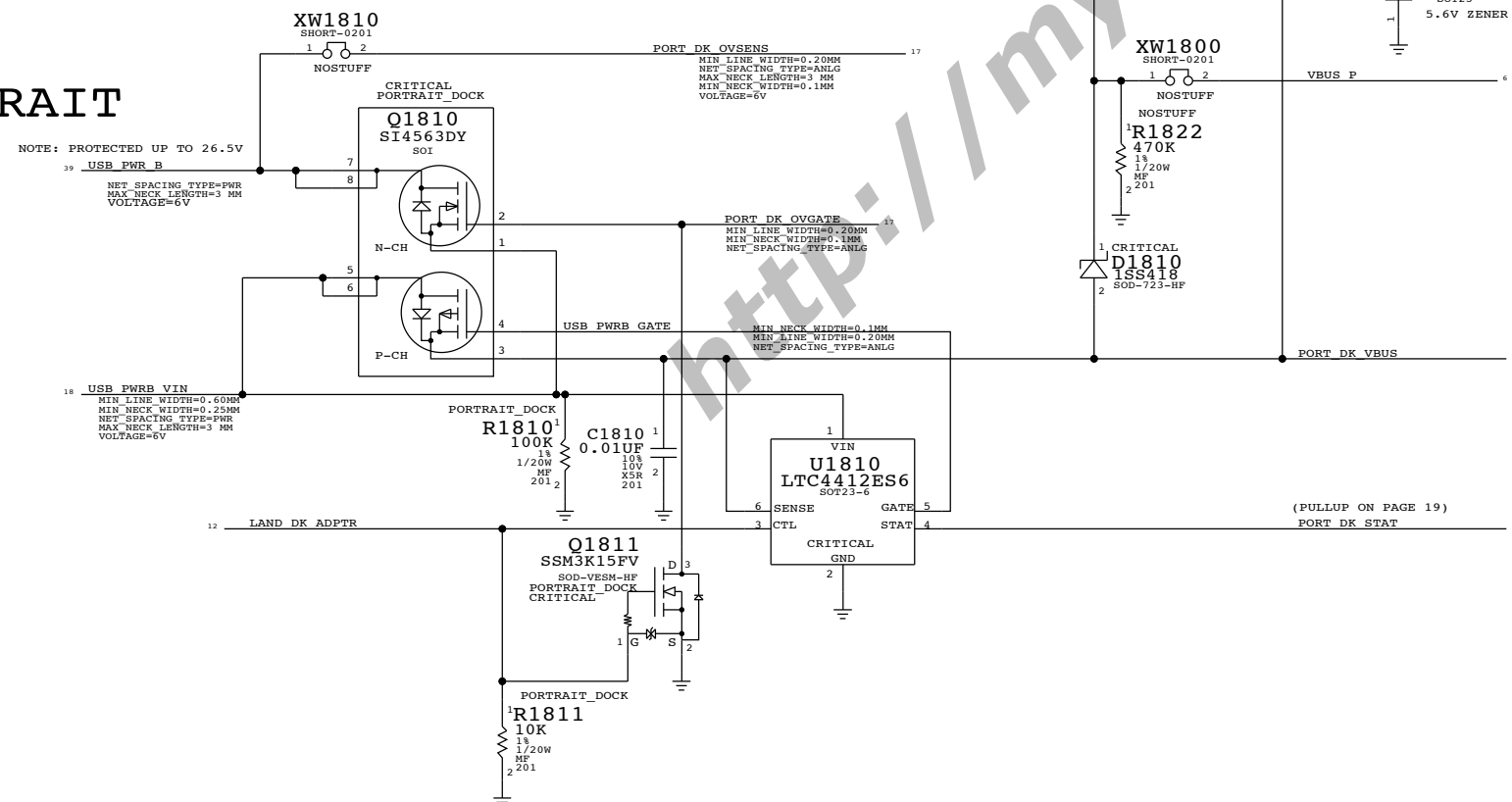
## SO-8 DUAL P/N FETS

MOSFET	SI4563DY
CHANNEL	P-TYPE
RDS(ON)	25 MOHM @-4.5V
IMAX	8 A
VGS MAX	+/- 16V

### LANDSCAPE



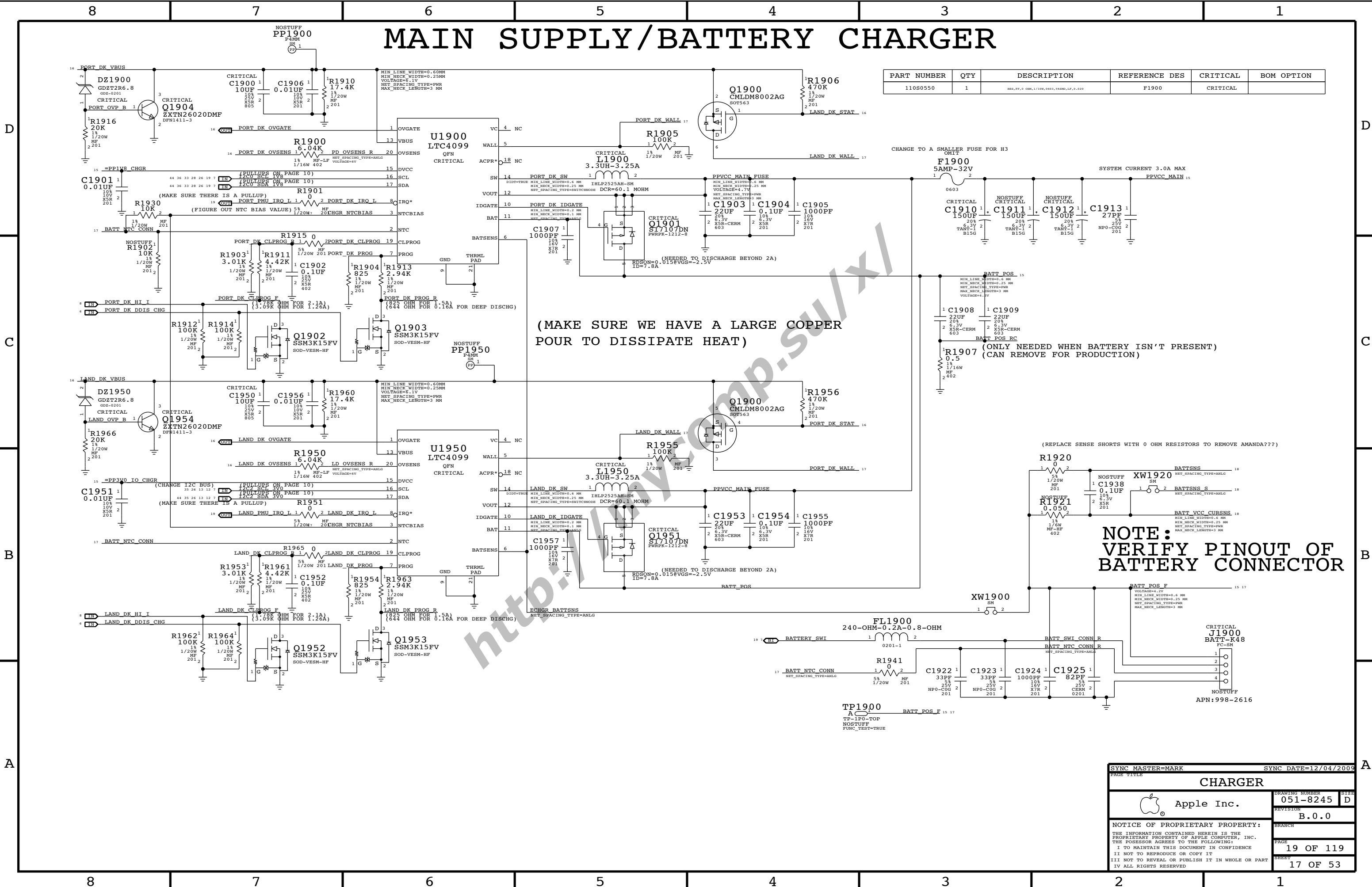
### PORTRAIT



SYNC MASTER=MARK		SYNC DATE=12/04/2009	
PAGE TITLE			
DCIN POWER PATH			
DRAWING NUMBER		051-8245	SIZE
REVISION		B.0.0	D
NOTICE OF PROPRIETARY PROPERTY:			
THE INFORMATION CONTAINED HEREIN IS THE PROPRIETARY PROPERTY OF APPLE COMPUTER, INC. THE POSSESSOR AGREES TO THE FOLLOWING:			
I TO MAINTAIN THIS DOCUMENT IN CONFIDENCE			
II NOT TO REPRODUCE OR COPY IT			
III NOT TO REVEAL OR PUBLISH IT IN WHOLE OR PART			
IV ALL RIGHTS RESERVED			
PAGE		18 OF 119	
SHEET		16 OF 53	

# MAIN SUPPLY/BATTERY CHARGER

PART NUMBER	QTY	DESCRIPTION	REFERENCE DES	CRITICAL	BOM OPTION
11080550	1	REG.PP.0 00M,1/100,000,1000M,LP.0.020	F1900	CRITICAL	



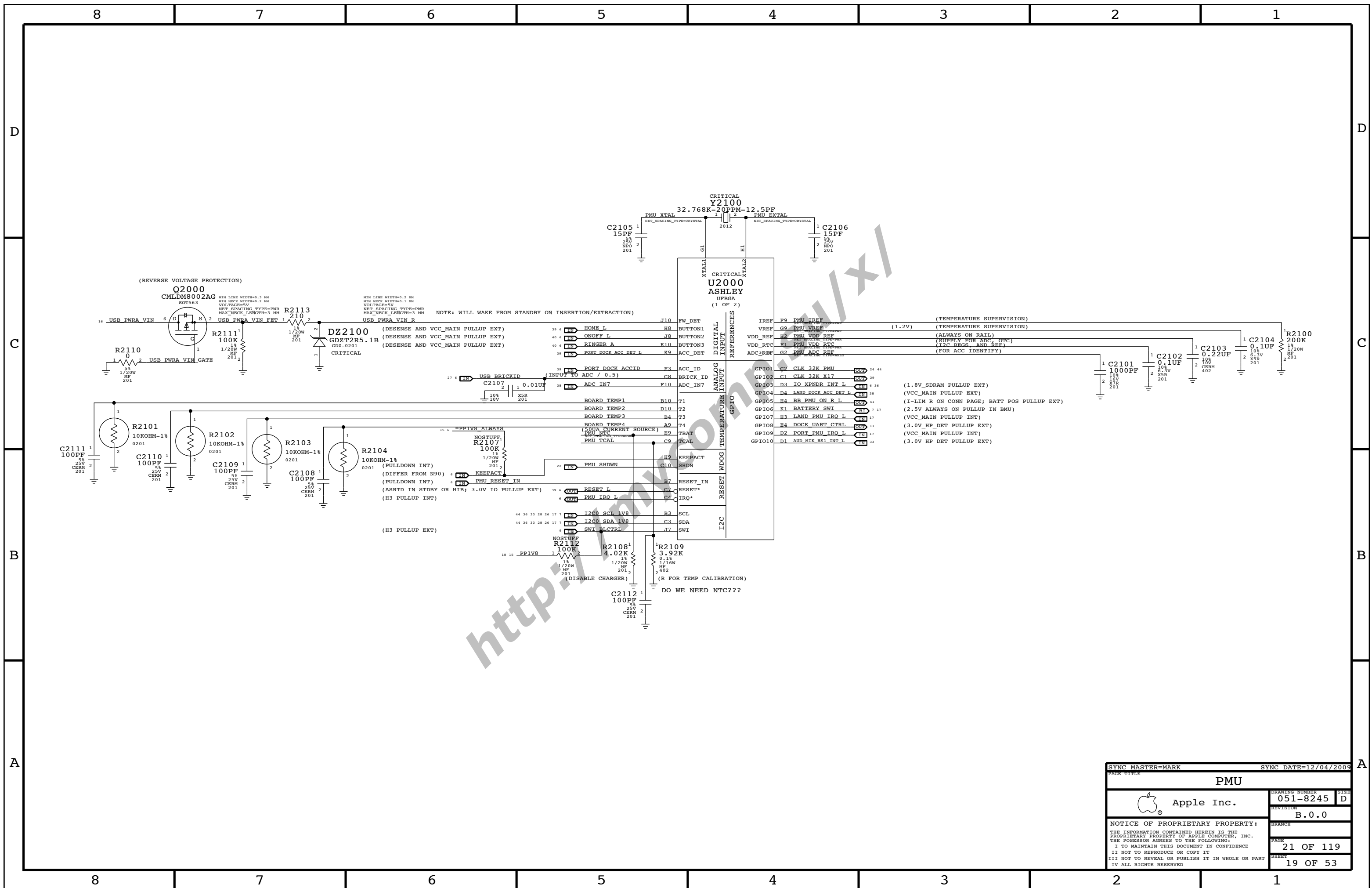
(MAKE SURE WE HAVE A LARGE COPPER POUR TO DISSIPATE HEAT)

(ONLY NEEDED WHEN BATTERY ISN'T PRESENT)  
(CAN REMOVE FOR PRODUCTION)

**NOTE:**  
VERIFY PINOUT OF  
BATTERY CONNECTOR

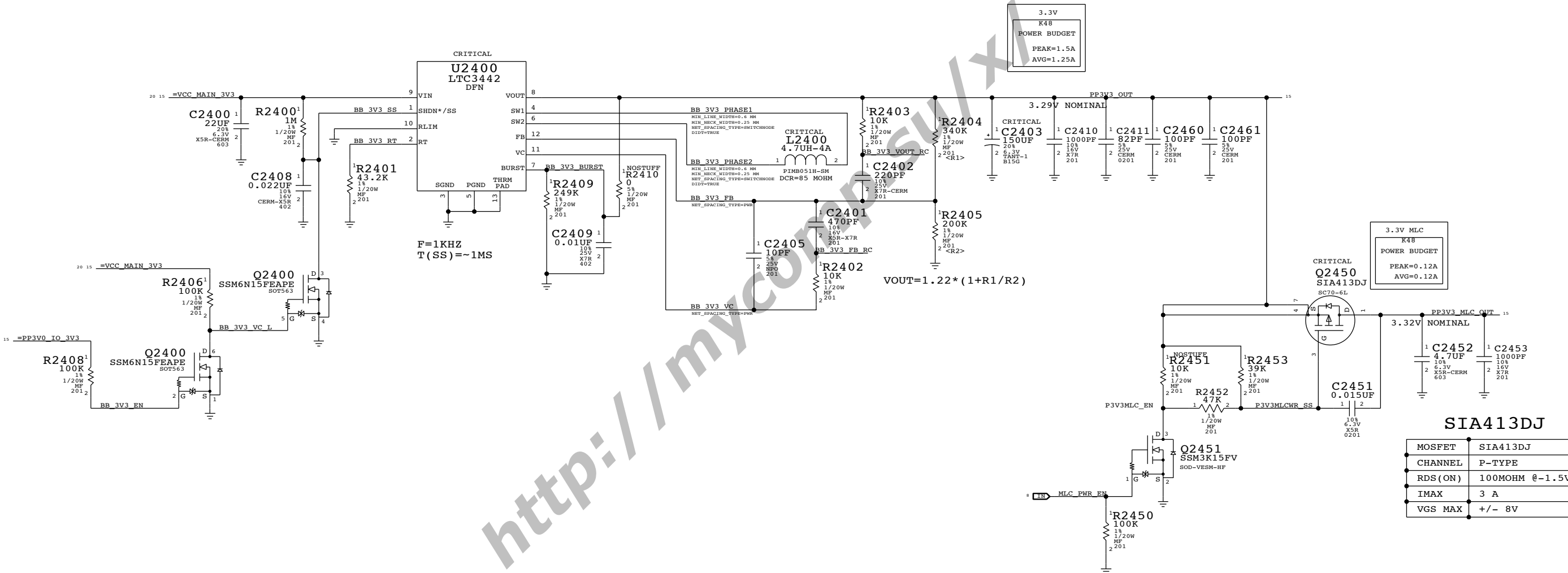
SYNC MASTER=MARK		SYNC DATE=12/04/2009	
<b>CHARGER</b>			
Apple Inc.		DRAWING NUMBER	SIZE
Apple Inc.		051-8245	D
NOTICE OF PROPRIETARY PROPERTY: THE INFORMATION CONTAINED HEREIN IS THE PROPRIETARY PROPERTY OF APPLE COMPUTER, INC. THE POSSESSOR AGREES TO THE FOLLOWING: I TO MAINTAIN THIS DOCUMENT IN CONFIDENCE II NOT TO REPRODUCE OR COPY IT III NOT TO REVEAL OR PUBLISH IT IN WHOLE OR PART IV ALL RIGHTS RESERVED		REVISION	BRANCH
		B.0.0	
		PAGE	19 OF 119
		SHEET	17 OF 53





SYNC MASTER=MARK		SYNC DATE=12/04/2009	
<b>PMU</b>			
Apple Inc.		DRAWING NUMBER	SIZE
		051-8245	D
		REVISION	
		B.0.0	
NOTICE OF PROPRIETARY PROPERTY:			
THE INFORMATION CONTAINED HEREIN IS THE PROPRIETARY PROPERTY OF APPLE COMPUTER, INC. THE POSSESSOR AGREES TO THE FOLLOWING:			
I TO MAINTAIN THIS DOCUMENT IN CONFIDENCE			
II NOT TO REPRODUCE OR COPY IT			
III NOT TO REVEAL OR PUBLISH IT IN WHOLE OR PART			
IV ALL RIGHTS RESERVED			
		PAGE	
		21 OF 119	
		SHEET	
		19 OF 53	

# 3.3V SUPPLY



3.3V  
K48  
POWER BUDGET  
PEAK=1.5A  
AVG=1.25A

3.3V MLC  
K48  
POWER BUDGET  
PEAK=0.12A  
AVG=0.12A

**SIA413DJ**

MOSFET	SIA413DJ
CHANNEL	P-TYPE
RDS (ON)	100MOHM @-1.5V
IMAX	3 A
VGS MAX	+/- 8V

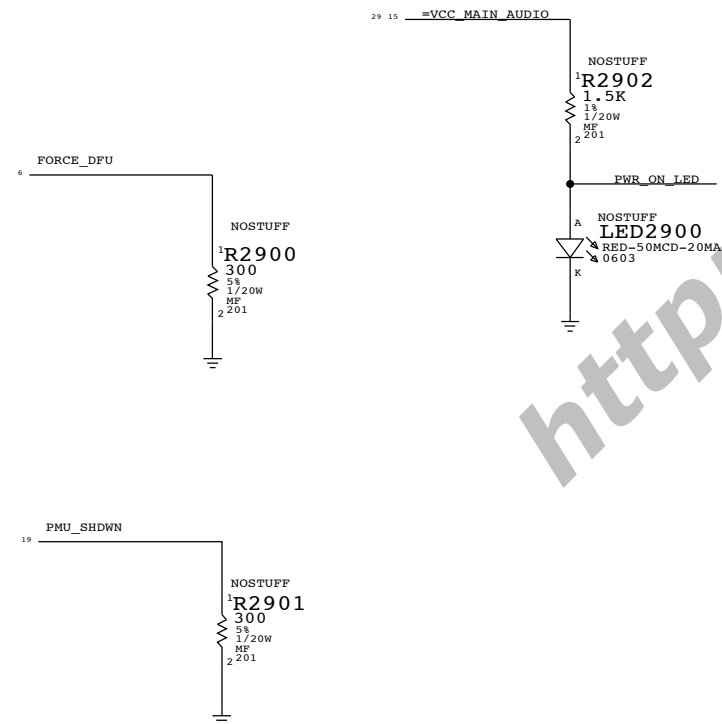
SYNC MASTER=MARK SYNC DATE=12/04/2009

PAGE TITLE <b>3.3V SUPPLY</b>	
Apple Inc.	DRAWING NUMBER 051-8245
NOTICE OF PROPRIETARY PROPERTY: THE INFORMATION CONTAINED HEREIN IS THE PROPRIETARY PROPERTY OF APPLE COMPUTER, INC. THE POSSESSOR AGREES TO THE FOLLOWING: I TO MAINTAIN THIS DOCUMENT IN CONFIDENCE II NOT TO REPRODUCE OR COPY IT III NOT TO REVEAL OR PUBLISH IT IN WHOLE OR PART IV ALL RIGHTS RESERVED	REVISION B.0.0
	PAGE 24 OF 119
	SHEET 20 OF 53

<http://my.computer.apple.com>



# DEBUG RESET ACCESS



<http://mycomp.su/xl>

PAGE TITLE		DRAWING NUMBER		SIZE
DEBUG RESET ACCESS		051-8245		D
REVISION		B.0.0		
BRANCH				
PAGE		29 OF 119		
SHEET		22 OF 53		

NOTICE OF PROPRIETARY PROPERTY:  
 THE INFORMATION CONTAINED HEREIN IS THE PROPRIETARY PROPERTY OF APPLE COMPUTER, INC. THE POSSESSOR AGREES TO THE FOLLOWING:  
 I TO MAINTAIN THIS DOCUMENT IN CONFIDENCE  
 II NOT TO REPRODUCE OR COPY IT  
 III NOT TO REVEAL OR PUBLISH IT IN WHOLE OR PART  
 IV ALL RIGHTS RESERVED

8 7 6 5 4 3 2 1

D

D

C

C

B

B

A

A

8 7 6 5 4 3 2 1



D

D

C

C

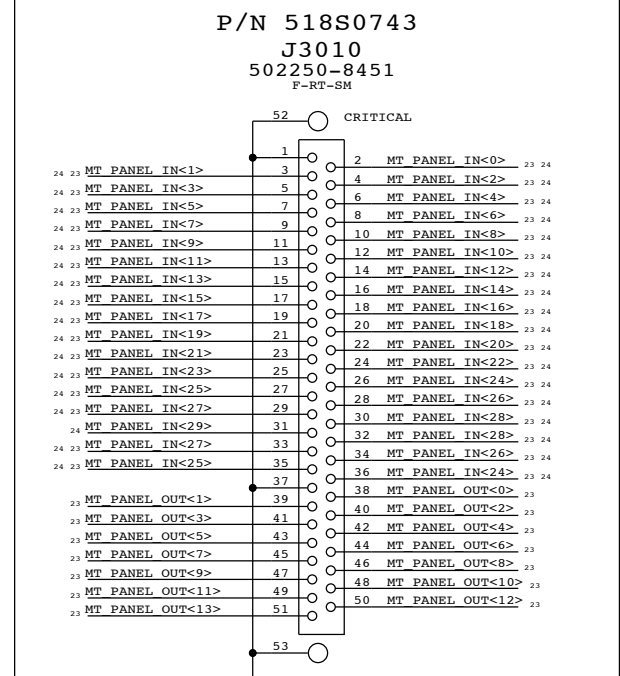
B

B

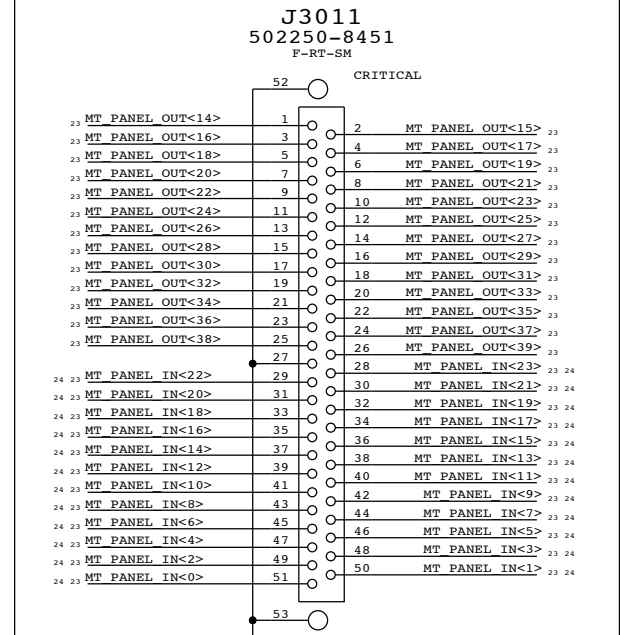
A

A

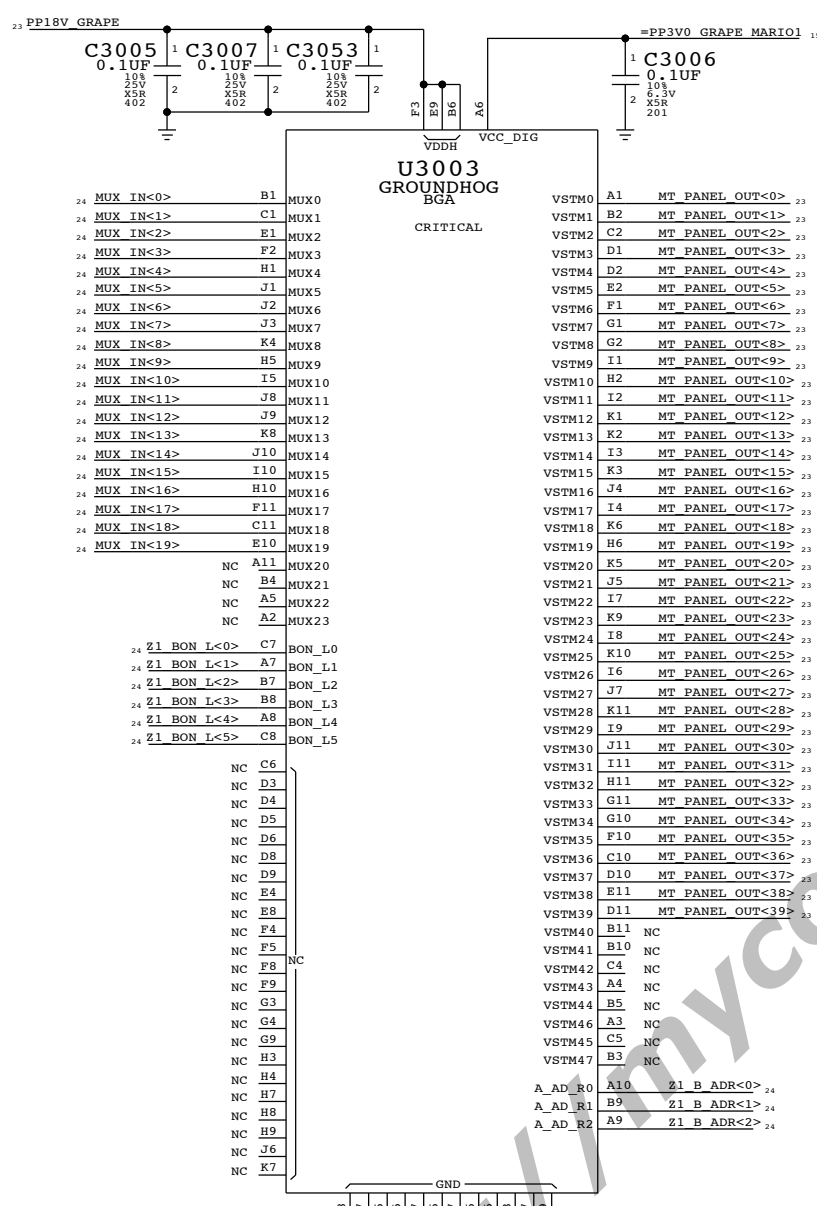
CONNECTORS TO GRAPE FLEX



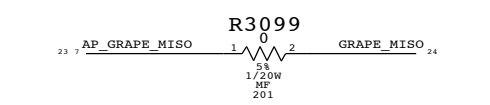
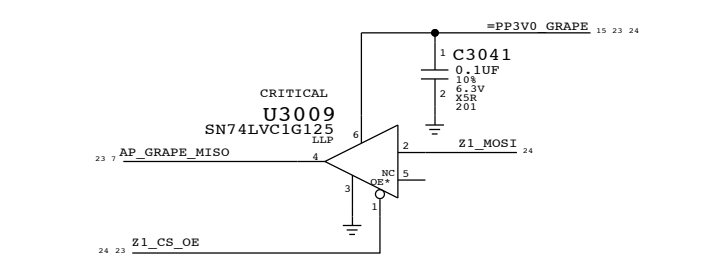
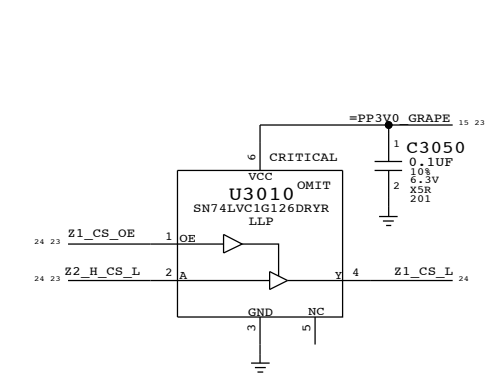
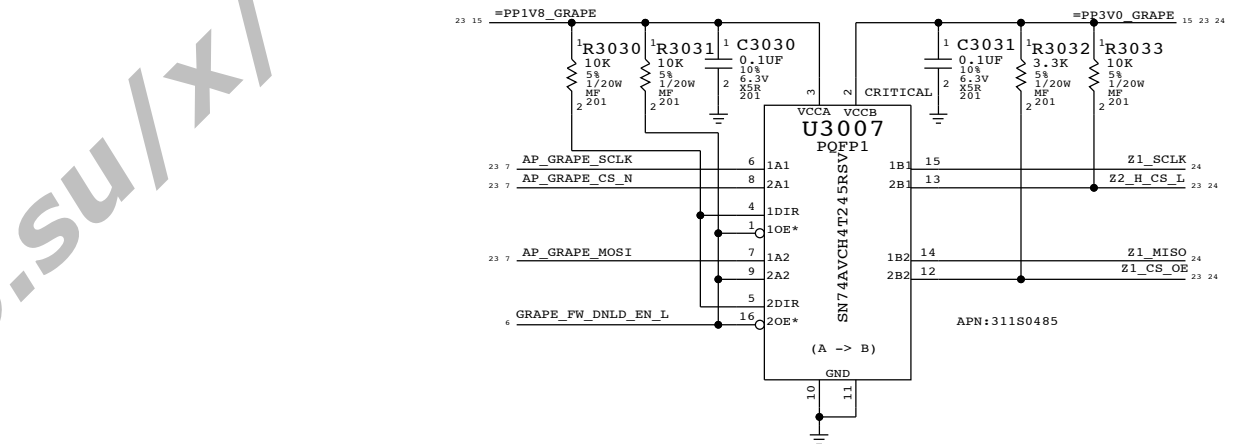
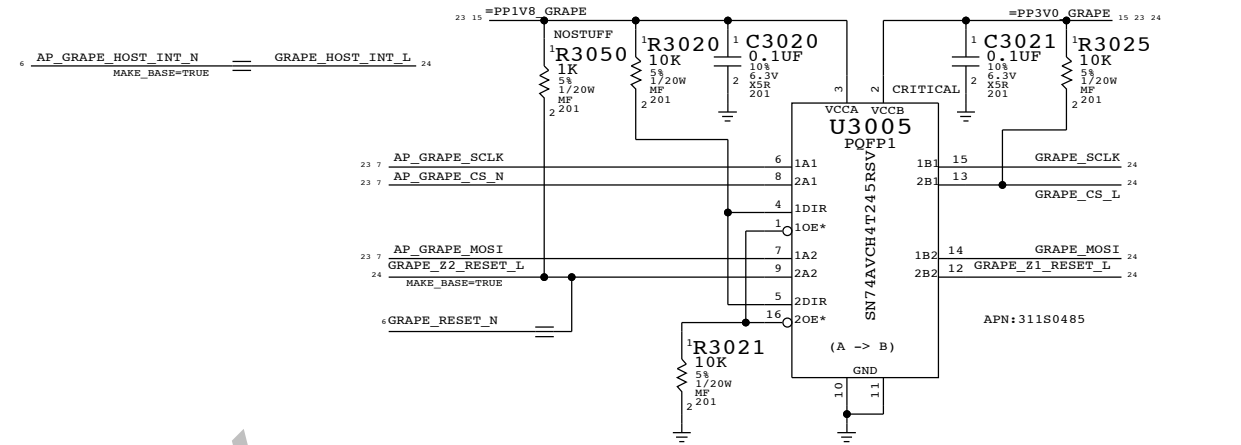
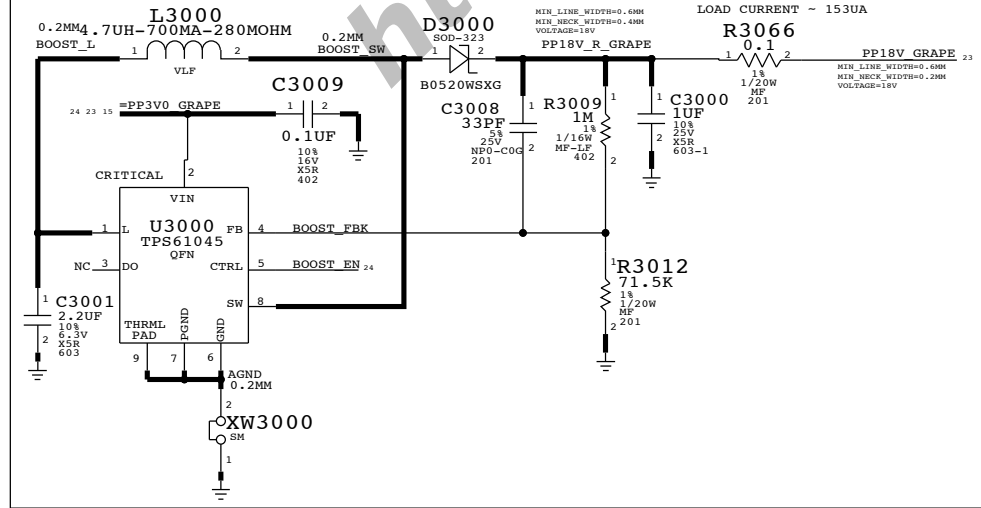
MATES WITH LEFTMOST GRAPE FLEX TAIL



MATES WITH RIGHTMOST GRAPE FLEX TAIL



BOOST CONVERTOR



PART NUMBER	QTY	DESCRIPTION	REFERENCE DES	CRITICAL	BOM OPTION
311S0506	1	IC, SNGL 3-STATE BUFFER, 5-PIN, DRY	U3010	CRITICAL	

SYNC MASTER=JAMES SYNC DATE=12/21/2009

GRAPE 1 OF 2

Apple Inc.

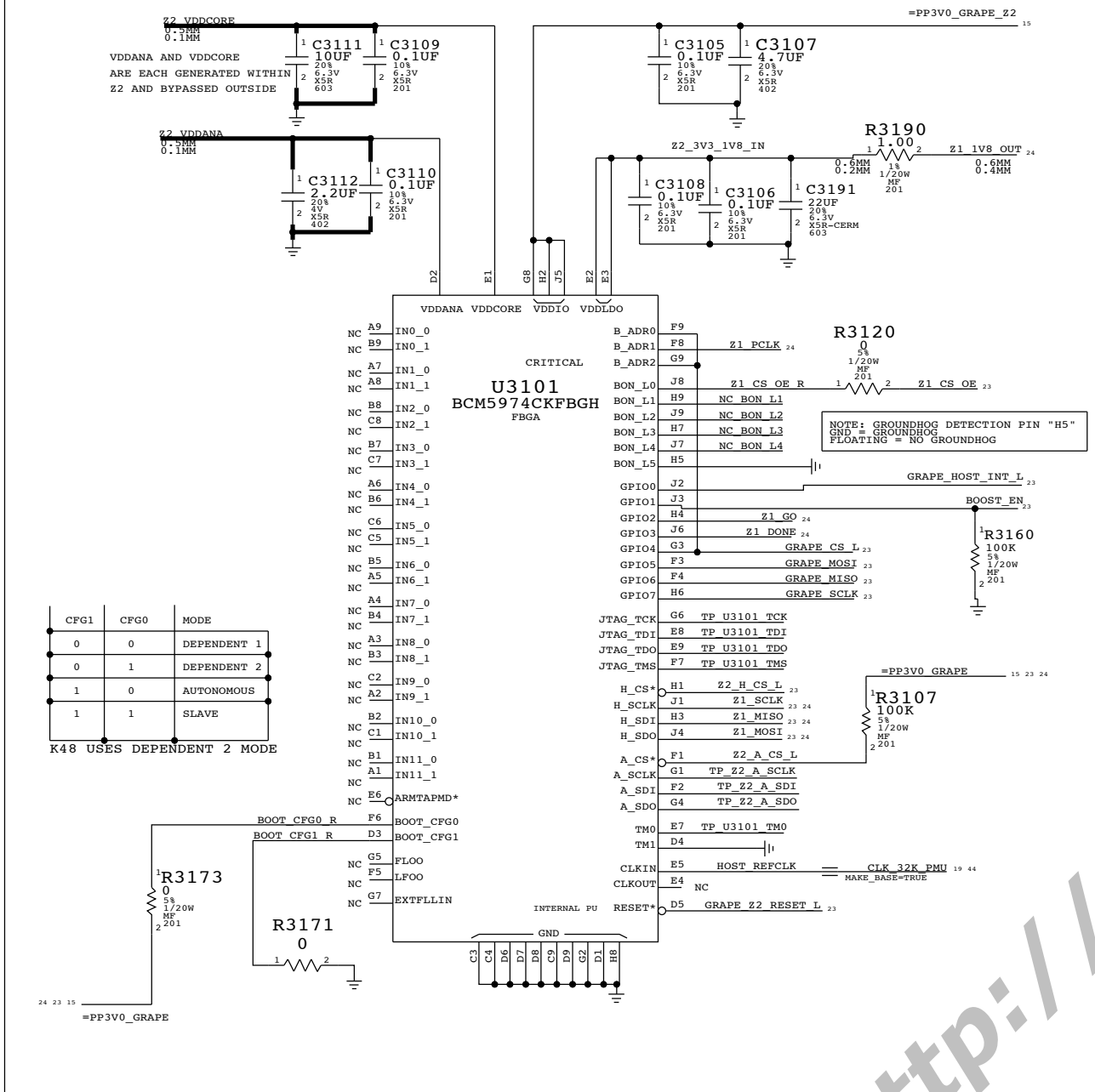
DRAWING NUMBER: 051-8245 SIZE: D

REVISION: B.0.0

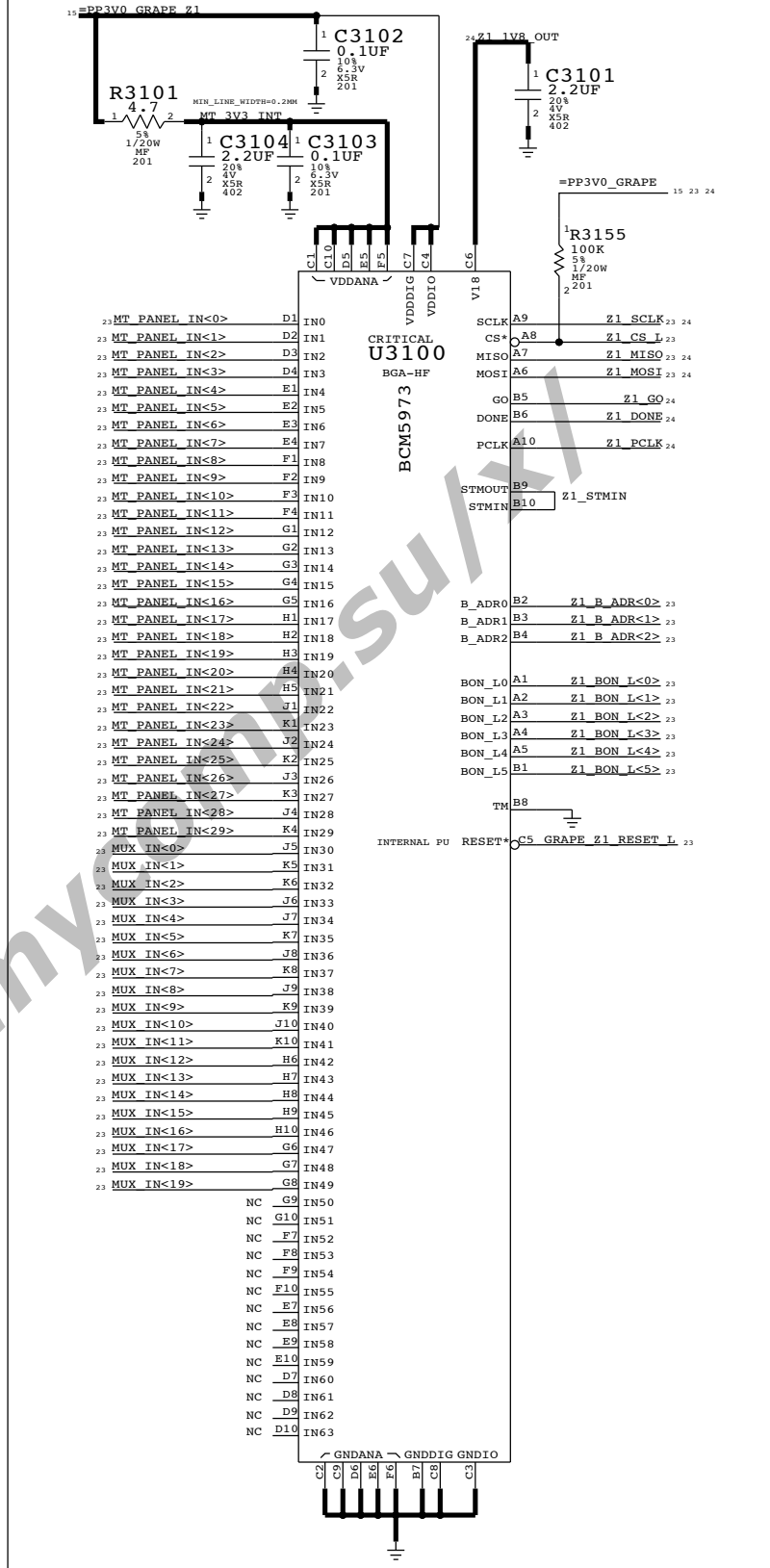
NOTICE OF PROPRIETARY PROPERTY: THE INFORMATION CONTAINED HEREIN IS THE PROPRIETARY PROPERTY OF APPLE COMPUTER, INC. THE POSSESSOR AGREES TO THE FOLLOWING: I TO MAINTAIN THIS DOCUMENT IN CONFIDENCE II NOT TO REPRODUCE OR COPY IT III NOT TO REVEAL OR PUBLISH IT IN WHOLE OR PART IV ALL RIGHTS RESERVED

PAGE: 30 OF 119 SHEET: 23 OF 53

ARM9 MCU (Z2 BASED)



ZEPHYR 1+ ASIC

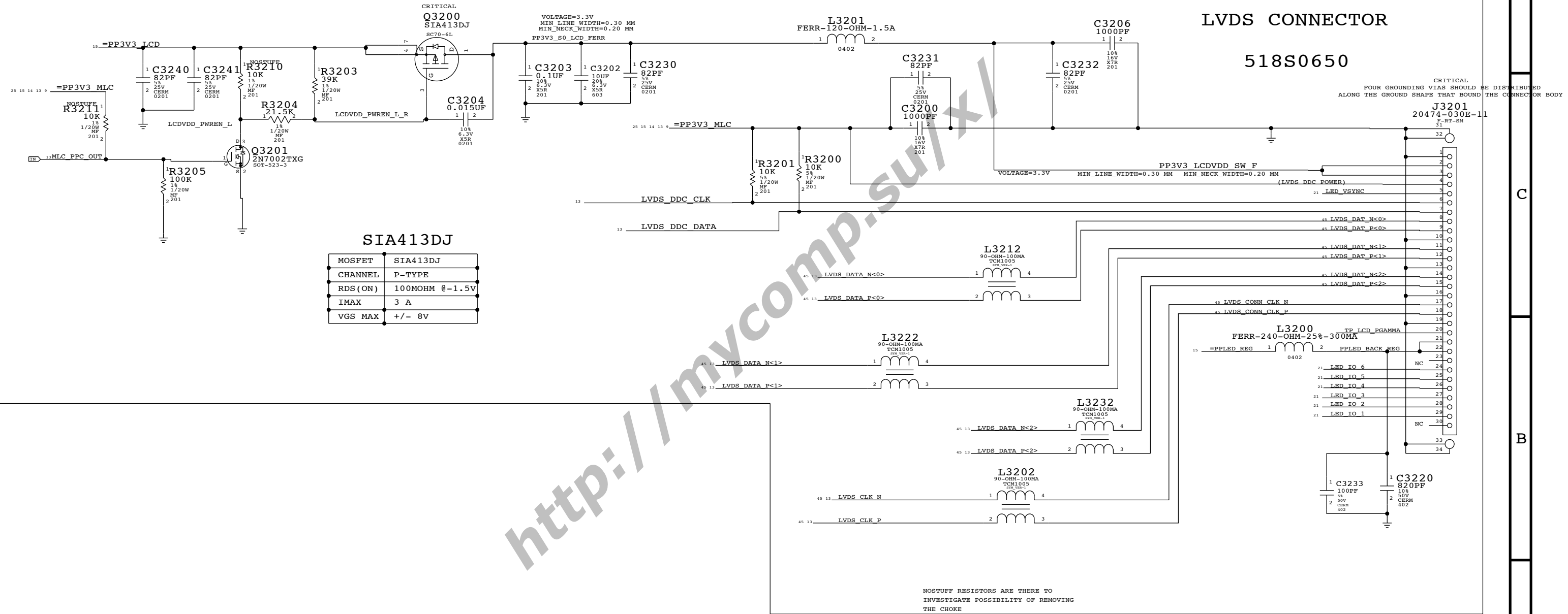


# LVDS CONNECTOR

SIMILAR TO M97

LVDS CONNECTOR

518S0650



SIA413DJ

MOSFET	SIA413DJ
CHANNEL	P-TYPE
RDS (ON)	100MOHM @-1.5V
IMAX	3 A
VGS MAX	+/- 8V

NOSTUFF RESISTORS ARE THERE TO INVESTIGATE POSSIBILITY OF REMOVING THE CHOKE

SYNC MASTER=MIAMI SYNC DATE=09/16/2009

LVDS CONNECTOR

Apple Inc.

051-8245 D

REVISION B.0.0

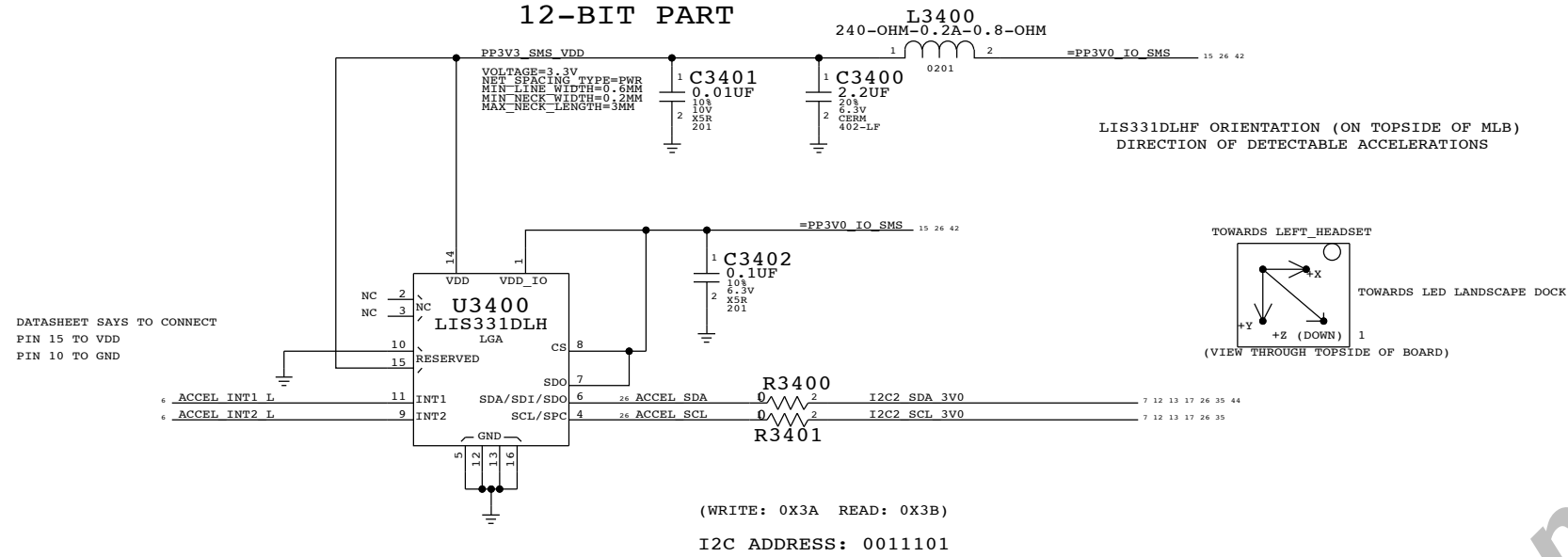
NOTICE OF PROPRIETARY PROPERTY: THE INFORMATION CONTAINED HEREIN IS THE PROPRIETARY PROPERTY OF APPLE COMPUTER, INC. THE POSSESSOR AGREES TO THE FOLLOWING: I TO MAINTAIN THIS DOCUMENT IN CONFIDENCE II NOT TO REPRODUCE OR COPY IT III NOT TO REVEAL OR PUBLISH IT IN WHOLE OR PART IV ALL RIGHTS RESERVED

32 OF 119

25 OF 53

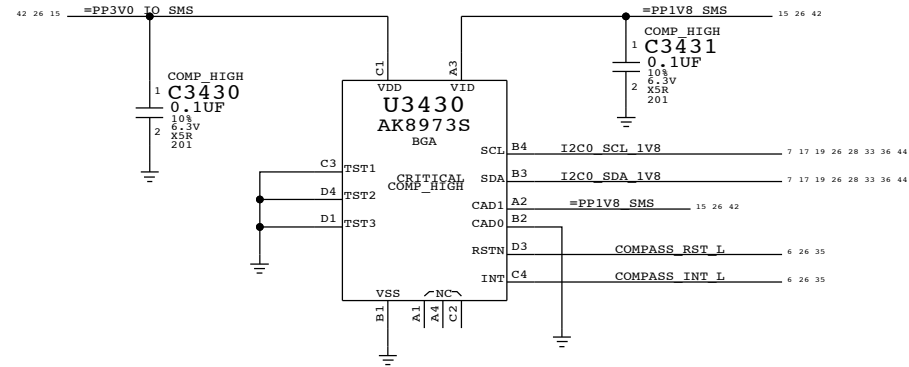
# MOTION/GYRO/COMPASS SENSORS

## ST MICRO LIS331DLHF MOTION SENSOR 12-BIT PART



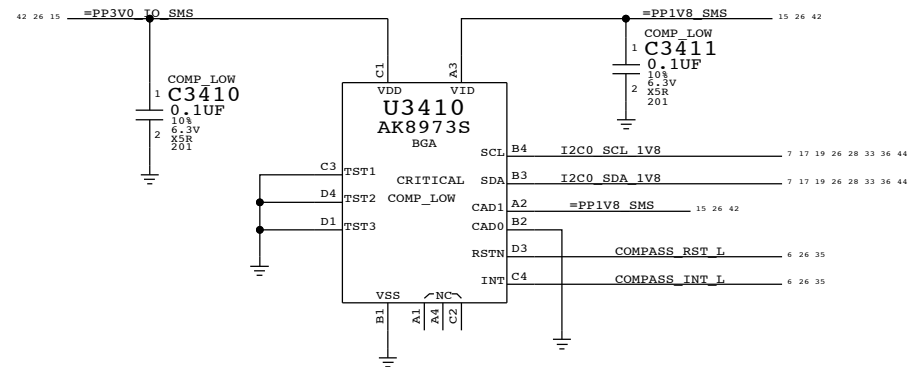
## COMPASS HIGH

(HAS THERMAL SENSOR IN IT)  
I2C ADDR: 0011110  
WRITE: 0X3C READ: 0X3D



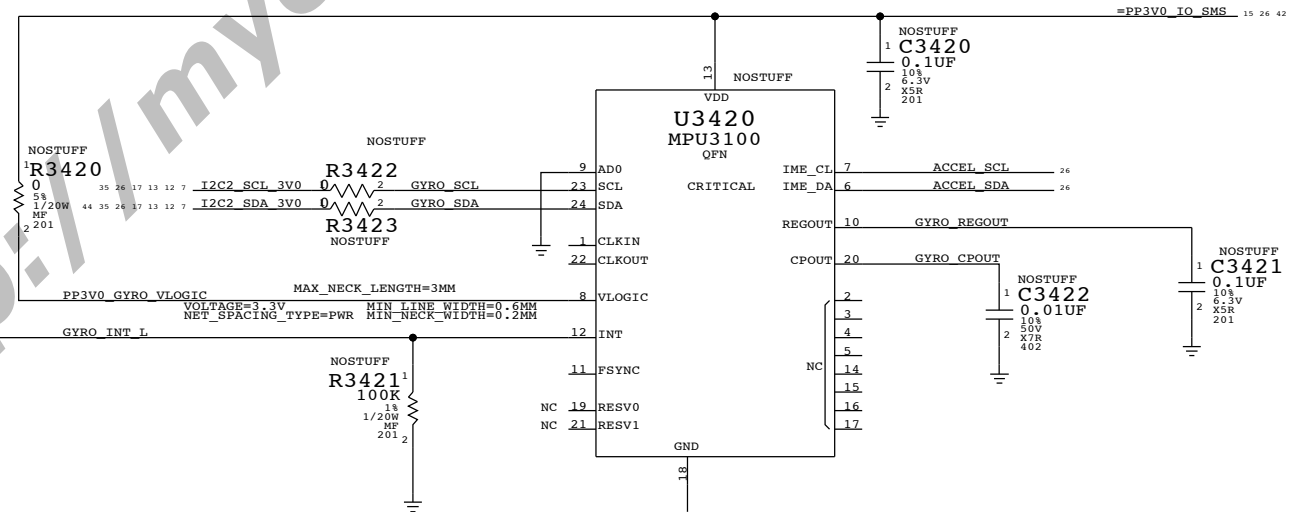
## COMPASS LOW

(HAS THERMAL SENSOR IN IT)  
I2C ADDR: 0011110  
WRITE: 0X3C READ: 0X3D



## GYRO

(WRITE: 0XD0 READ: 0XD1)  
I2C ADDRESS: 1101000

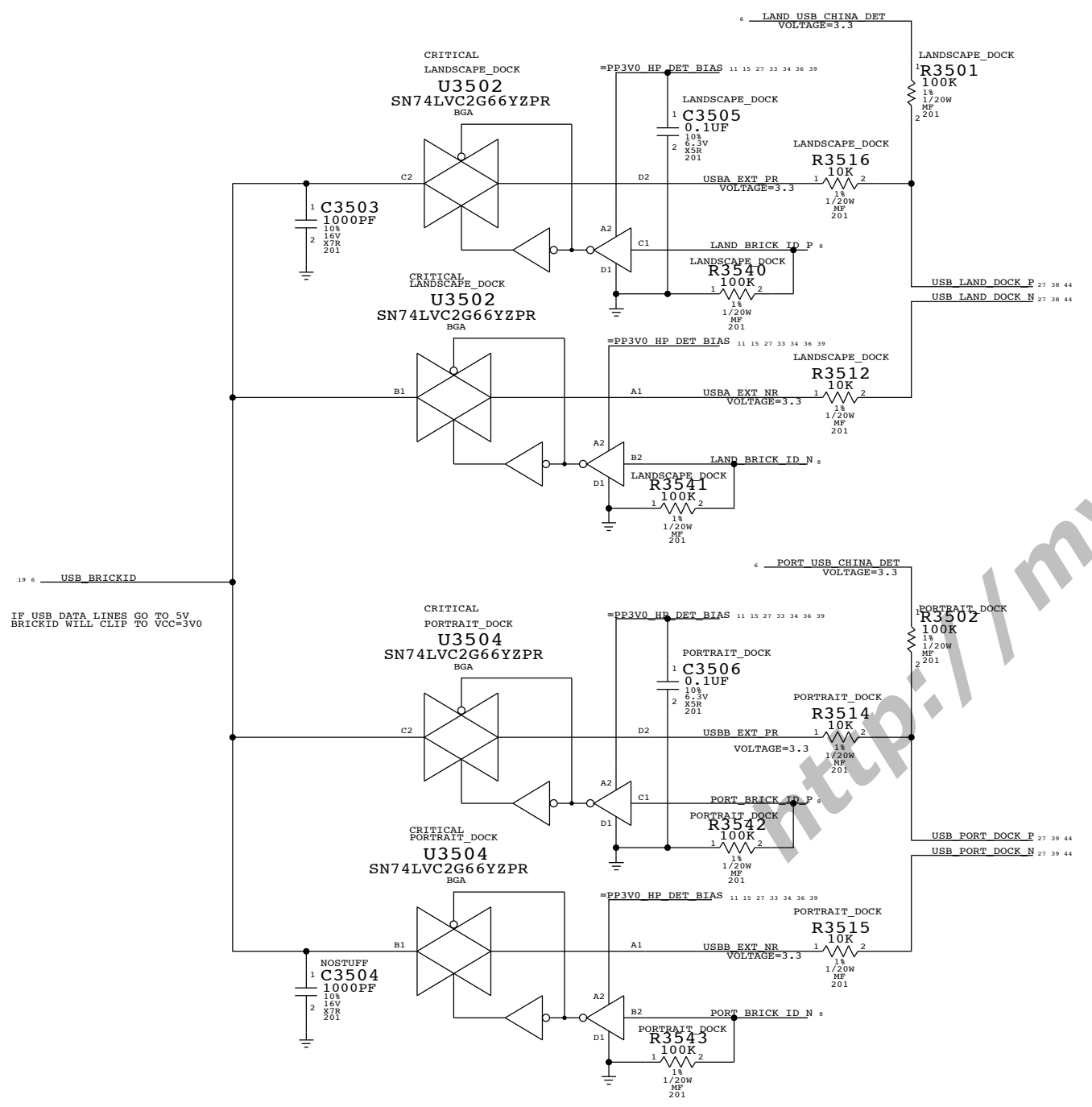


SYNC MASTER=MIAMI SYNC DATE=09/16/2009

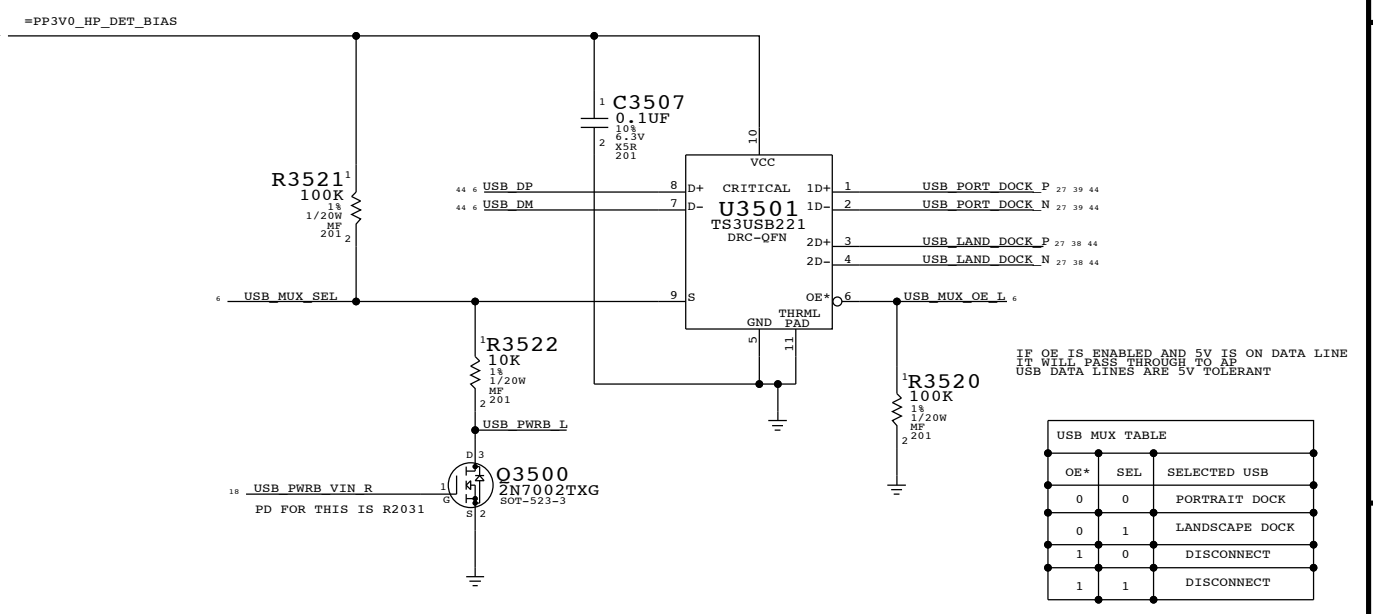
PAGE TITLE <b>MOTION, GYRO, COMPASS/THERM</b>		
Apple Inc.	DRAWING NUMBER 051-8245	SIZE D
REVISION B.0.0		
NOTICE OF PROPRIETARY PROPERTY: THE INFORMATION CONTAINED HEREIN IS THE PROPRIETARY PROPERTY OF APPLE COMPUTER, INC. THE POSSESSOR AGREES TO THE FOLLOWING: I TO MAINTAIN THIS DOCUMENT IN CONFIDENCE II NOT TO REPRODUCE OR COPY IT III NOT TO REVEAL OR PUBLISH IT IN WHOLE OR PART IV ALL RIGHTS RESERVED		
PAGE 34 OF 119		SHEET 26 OF 53

# USB MUX/BRICK DETECTION

MAKE SURE RESISTORS ARE ON TOP OF TRACE TO REDUCE STUB



## USB MUX FOR DOCK USB



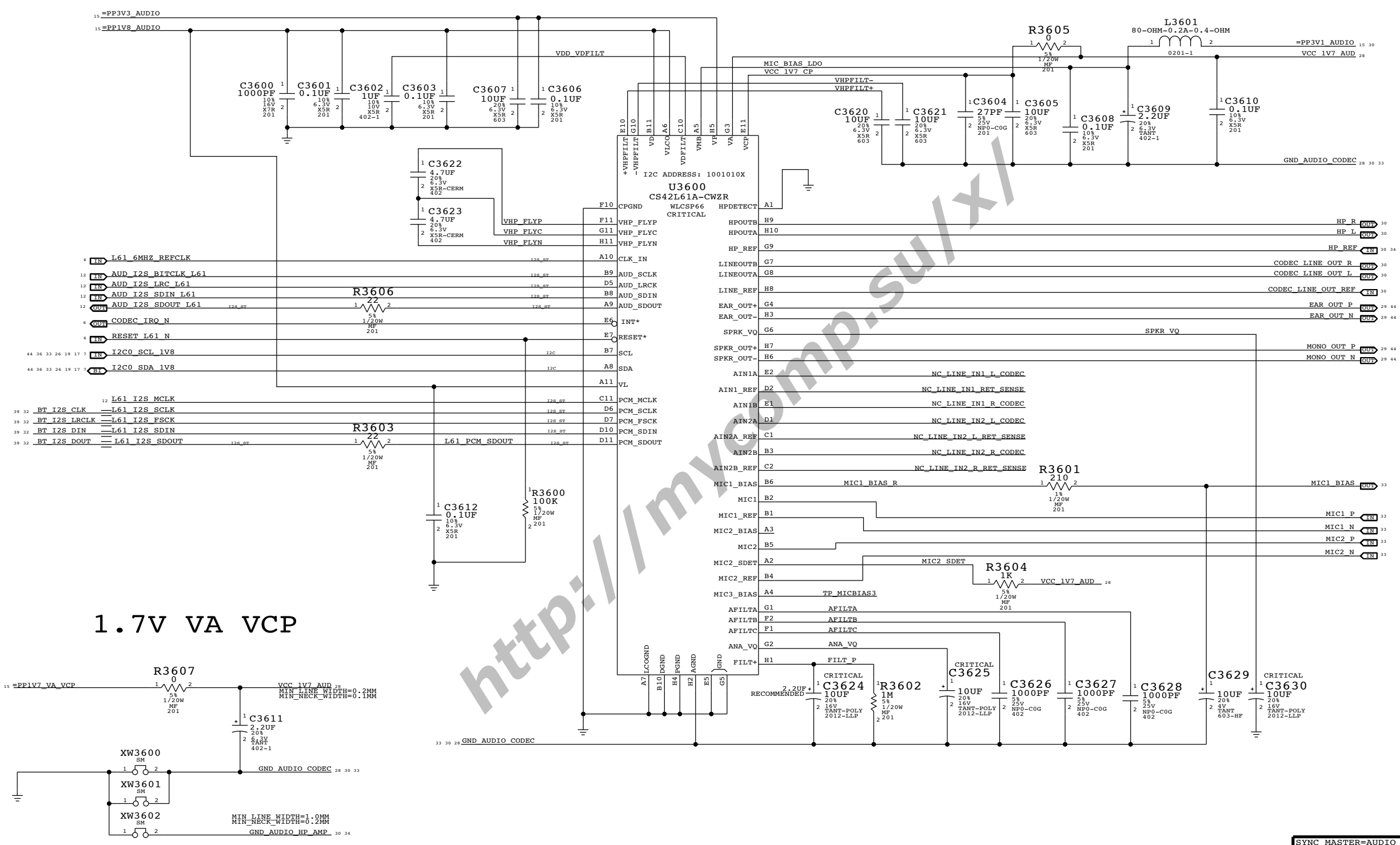
OE*	SEL	SELECTED USB
0	0	PORTRAIT DOCK
0	1	LANDSCAPE DOCK
1	0	DISCONNECT
1	1	DISCONNECT

SYNC MASTER=MIAMI SYNC DATE=09/16/2009

PAGE TITLE <b>USB MUX/BRK DET</b>		
Apple Inc.	DRAWING NUMBER	051-8245
	REVISION	B.0.0
NOTICE OF PROPRIETARY PROPERTY: THE INFORMATION CONTAINED HEREIN IS THE PROPRIETARY PROPERTY OF APPLE COMPUTER, INC. THE POSSESSOR AGREES TO THE FOLLOWING: I TO MAINTAIN THIS DOCUMENT IN CONFIDENCE II NOT TO REPRODUCE OR COPY IT III NOT TO REVEAL OR PUBLISH IT IN WHOLE OR PART IV ALL RIGHTS RESERVED	BRANCH	
	PAGE	35 OF 119
	SHEET	27 OF 53

# L61 AUDIO CODEC

APN:338S0589



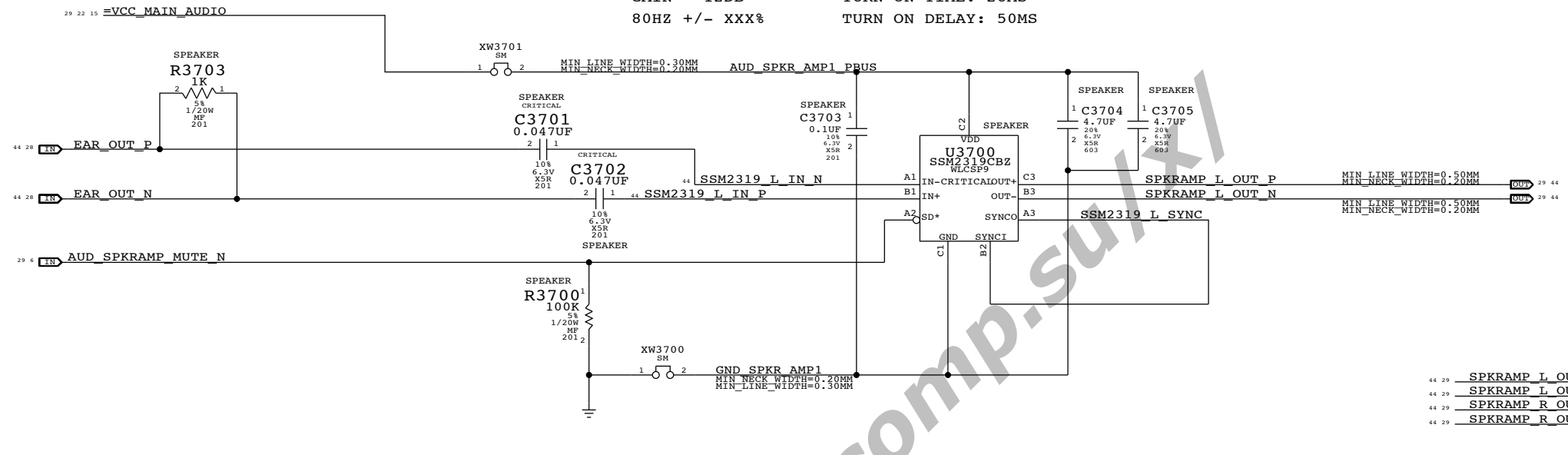
1.7V VA VCP

SYNC MASTER=AUDIO		SYNC DATE=12/04/2009	
PAGE TITLE			
L61 AUDIO INTERFACE			
DRAWING NUMBER		SIZE	
051-8245		D	
REVISION		BRANCH	
B.0.0			
NOTICE OF PROPRIETARY PROPERTY:			
THE INFORMATION CONTAINED HEREIN IS THE PROPRIETARY PROPERTY OF APPLE COMPUTER, INC. THE POSSESSOR AGREES TO THE FOLLOWING:			
I TO MAINTAIN THIS DOCUMENT IN CONFIDENCE			
II NOT TO REPRODUCE OR COPY IT			
III NOT TO REVEAL OR PUBLISH IT IN WHOLE OR PART			
IV ALL RIGHTS RESERVED			
PAGE		SHEET	
36 OF 119		28 OF 53	

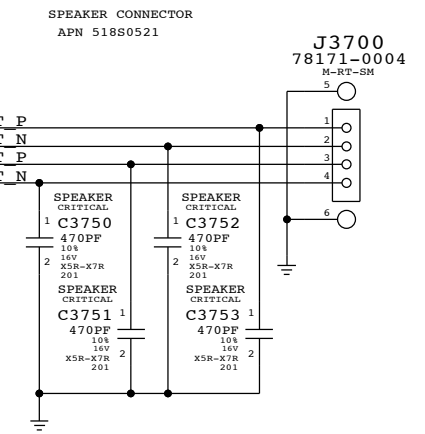
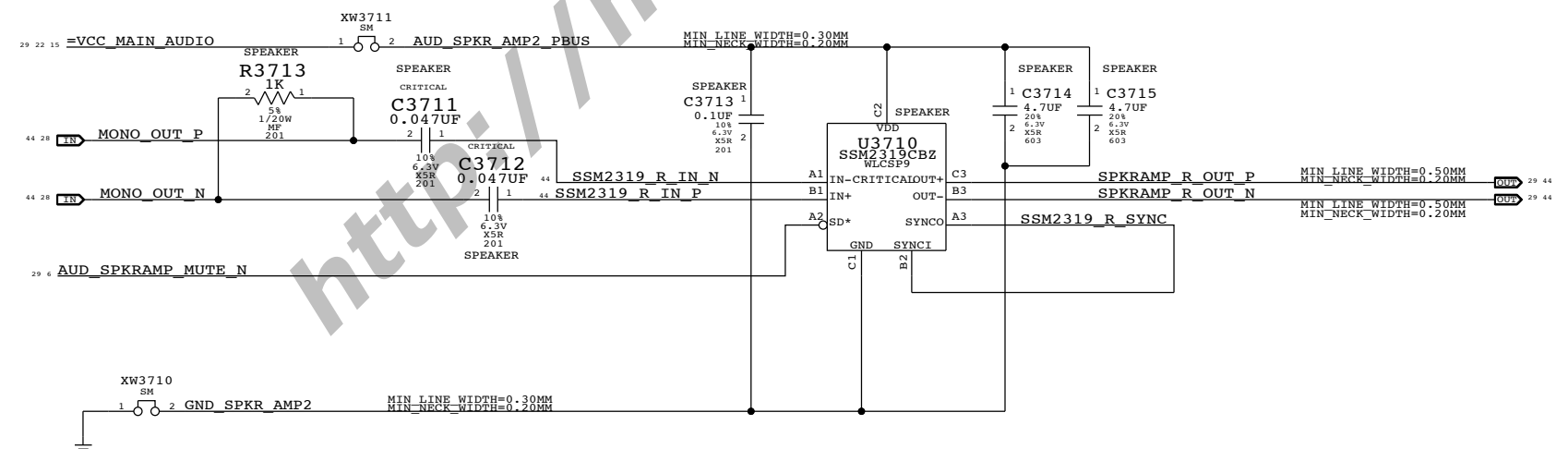
# SPEAKER AMPLIFIER

SSM2319 APN:353S2136

GAIN = 12DB      TURN ON TIME: 28MS  
 80HZ +/- XXX%      TURN ON DELAY: 50MS

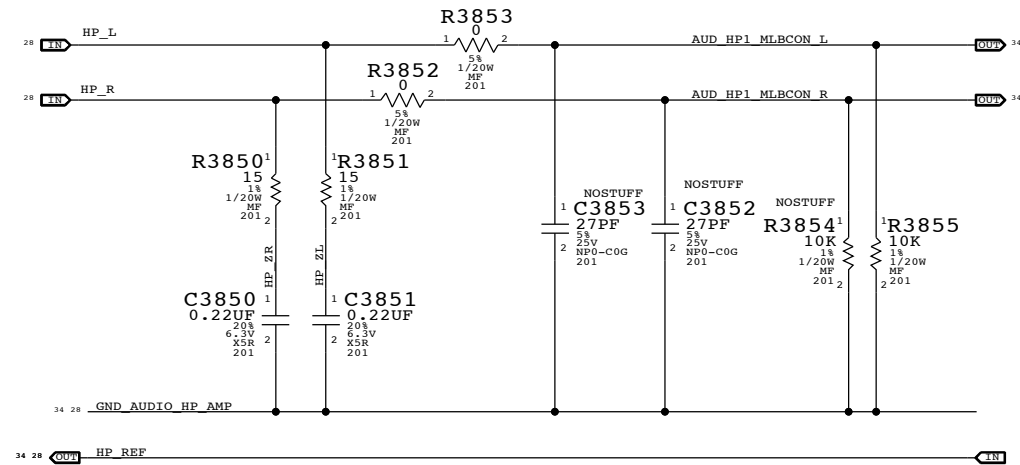


L61 RECEIVER OUTPUT IS CONNECTED TO U3700  
 L61 SPEAKER OUTPUT IS CONNECTED TO U3710

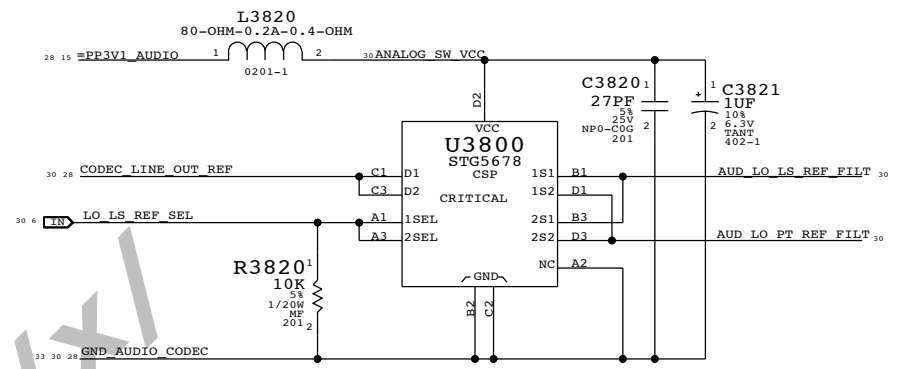


PAGE TITLE		SYNC DATE=12/04/2009	
<b>AUDIO: SPEAKER AMP</b>			
Apple Inc.		DRAWING NUMBER	051-8245
		REVISION	B.0.0
NOTICE OF PROPRIETARY PROPERTY: THE INFORMATION CONTAINED HEREIN IS THE PROPRIETARY PROPERTY OF APPLE COMPUTER, INC. THE POSSESSOR AGREES TO THE FOLLOWING: I TO MAINTAIN THIS DOCUMENT IN CONFIDENCE II NOT TO REPRODUCE OR COPY IT III NOT TO REVEAL OR PUBLISH IT IN WHOLE OR PART IV ALL RIGHTS RESERVED		BRANCH	
		PAGE	37 OF 119
		SHEET	29 OF 53

HEADPHONE OUTPUT ZOBEL NETWORK



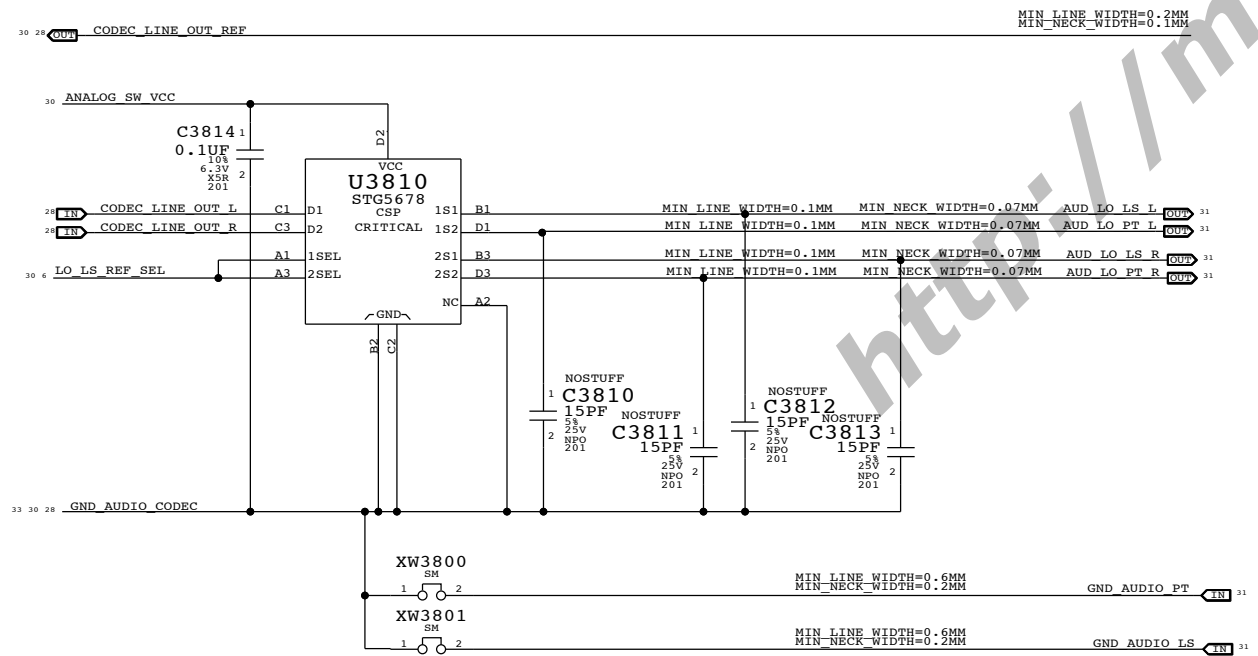
LINE OUTPUT REF SENSE DOCK SELECTOR



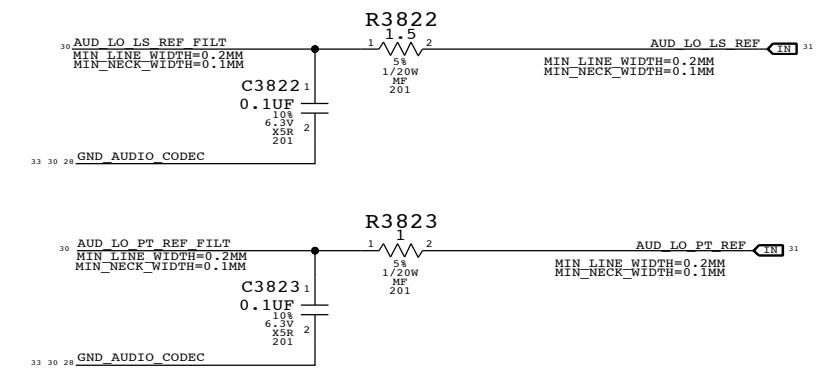
OUTPUT REF SENSE LINE SHOULD BE SWITCHED TO ACTIVE PORT  
 LO\_LS\_REF\_SEL = 0: PORTRAIT DOCK SELECTED  
 LO\_LS\_REF\_SEL = 1: LANDSCAPE DOCK SELECTED

LINE OUTPUT DOCK SELECTOR

LO\_LS\_REF\_SEL = 0: DAC OUTPUT CONNECTED TO PORTRAIT DOCK  
 LO\_LS\_REF\_SEL = 1: DAC OUTPUT CONNECTED TO LANDSCAPE DOCK



LINE OUTPUT REF SENSE FILTER



PAGE TITLE		SYNC MASTER=AUDIO		SYNC DATE=12/04/2009	
<b>AUDIO: HEADPHONE OUT</b>					
Apple Inc.		DRAWING NUMBER	051-8245	SIZE	D
		REVISION	B.0.0	BRANCH	
NOTICE OF PROPRIETARY PROPERTY:					
THE INFORMATION CONTAINED HEREIN IS THE PROPRIETARY PROPERTY OF APPLE COMPUTER, INC. THE POSSESSOR AGREES TO THE FOLLOWING:					
I TO MAINTAIN THIS DOCUMENT IN CONFIDENCE					
II NOT TO REPRODUCE OR COPY IT					
III NOT TO REVEAL OR PUBLISH IT IN WHOLE OR PART					
IV ALL RIGHTS RESERVED					
PAGE		38 OF 119		SHEET	
				30 OF 53	



8

7

6

5

4

3

2

1

D

D

C

C

B

B

A

A

8

7

6

5

4

3

2

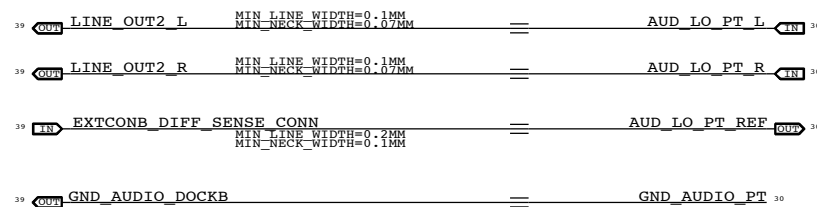
1

### DOCKS OUTPUTS

NOTE: PORTRAIT DOCK IS PRIMARY DOCK

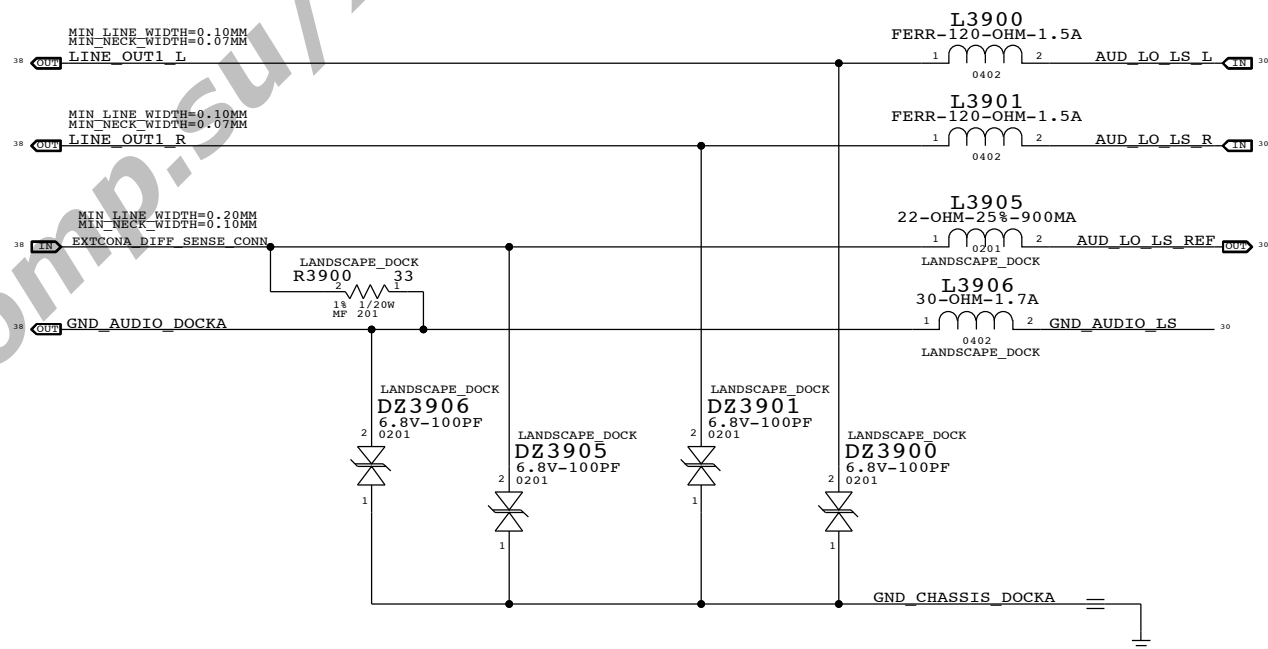
#### PORTRAIT DOCK LINE OUTPUT

TO PORTRAIT DOCK MLB CONNECTOR



#### LANDSCAPE DOCK LINE OUTPUT ESD CIRCUIT

TO LANDSCAPE DOCK MLB CONNECTOR



http://mycomp.cu/xl

SYNC MASTER=AUDIO SYNC DATE=12/04/2009

AUDIO: LINE OUT DOCK ESD CIRCUIT

	DRAWING NUMBER	051-8245	SIZE	D
	REVISION	B.0.0		
NOTICE OF PROPRIETARY PROPERTY:		BRANCH		
THE INFORMATION CONTAINED HEREIN IS THE PROPRIETARY PROPERTY OF APPLE COMPUTER, INC. THE POSSESSOR AGREES TO THE FOLLOWING: I TO MAINTAIN THIS DOCUMENT IN CONFIDENCE II NOT TO REPRODUCE OR COPY IT III NOT TO REVEAL OR PUBLISH IT IN WHOLE OR PART IV ALL RIGHTS RESERVED		PAGE	39 OF 119	
		SHEET	31 OF 53	

8

7

6

5

4

3

2

1

D

D

C

C

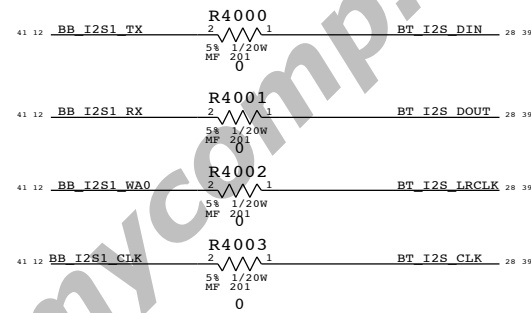
B

B

A

A

### AUDIENCE BYPASS SHUNTS



<http://mycomp.su/xl>

PAGE TITLE		SYNC MASTER=AUDIO		SYNC DATE=12/04/2009	
<b>AUDIO: AUDIENCE</b>					
		DRAWING NUMBER		SIZE	
		051-8245		D	
NOTICE OF PROPRIETARY PROPERTY: THE INFORMATION CONTAINED HEREIN IS THE PROPRIETARY PROPERTY OF APPLE COMPUTER, INC. THE POSSESSOR AGREES TO THE FOLLOWING: I TO MAINTAIN THIS DOCUMENT IN CONFIDENCE II NOT TO REPRODUCE OR COPY IT III NOT TO REVEAL OR PUBLISH IT IN WHOLE OR PART IV ALL RIGHTS RESERVED		REVISION		BRANCH	
		B.0.0			
		PAGE		SHEET	
		40 OF 119		32 OF 53	

8

7

6

5

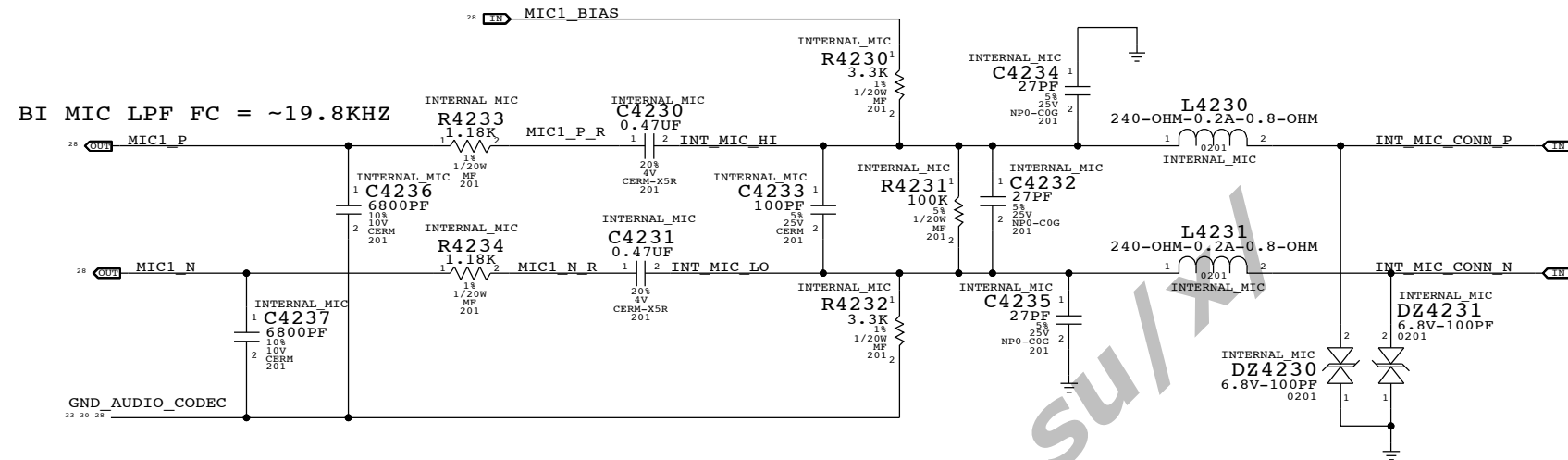
4

3

2

1

### INTERNAL (BUILT-IN) ANALOG MIC BIAS & FILTER



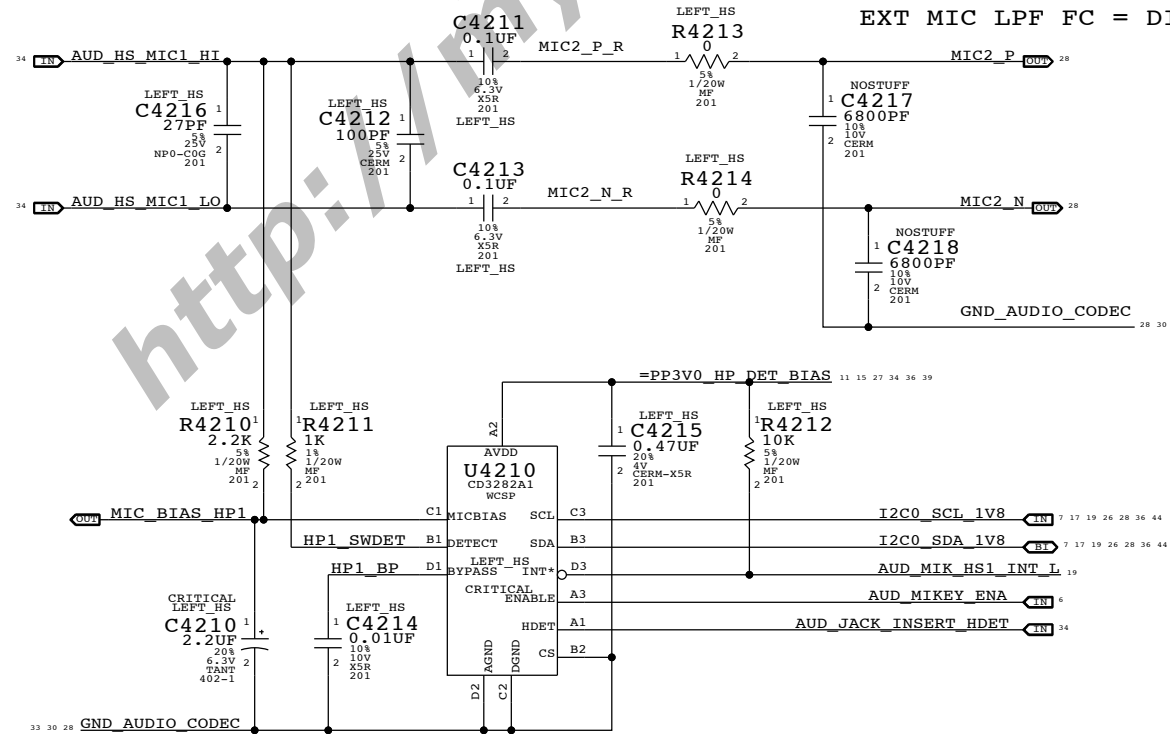
### EXTERNAL MIC INPUT CIRCUITRY

APN:353S2640

I2C ADD: READ=72H, WRITE=73H

NOTE: INT IS OPEN DRAIN, PULL UP ON MIKEY SIDE

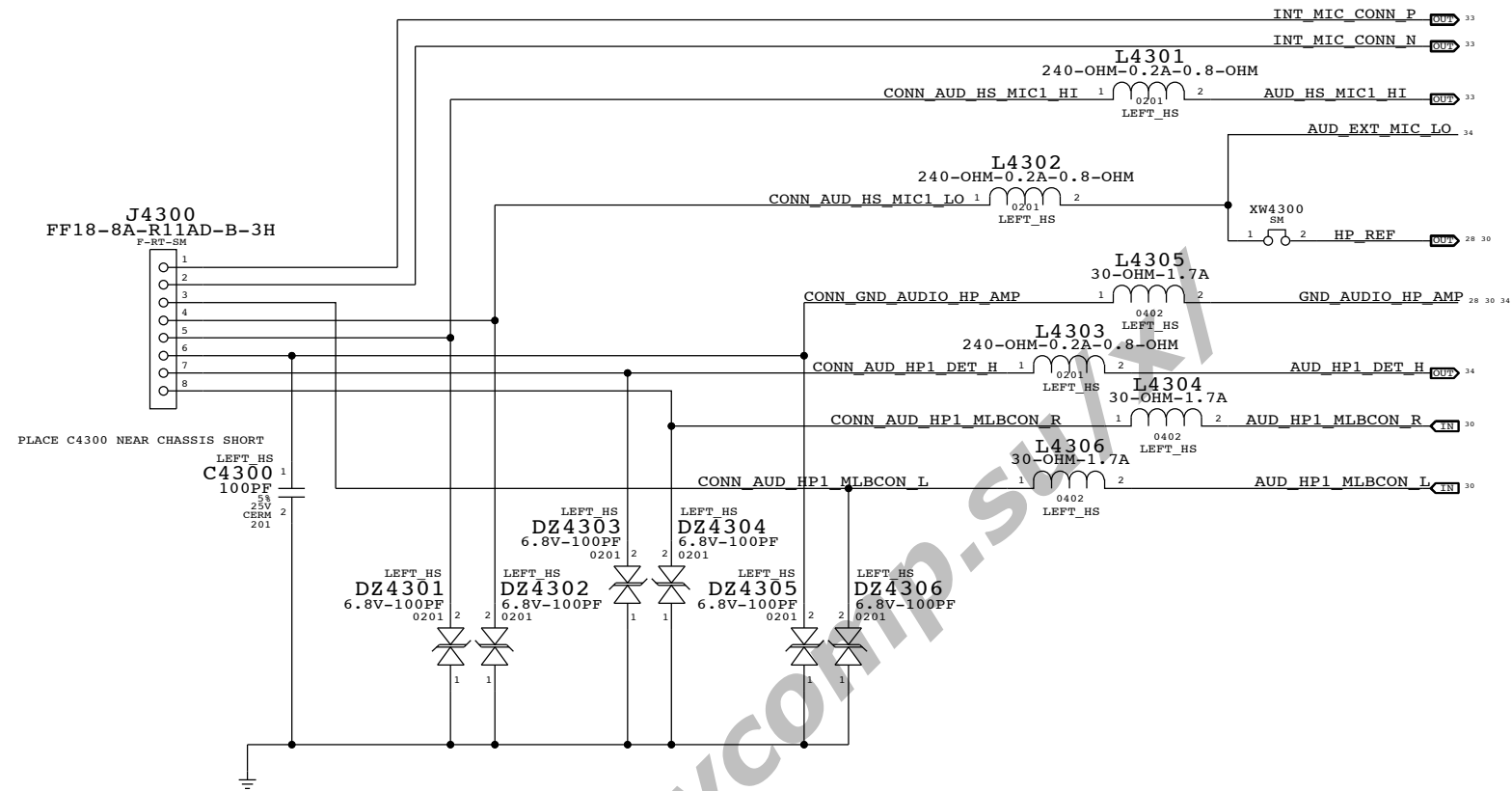
EXT MIC LPF FC = DISABLED



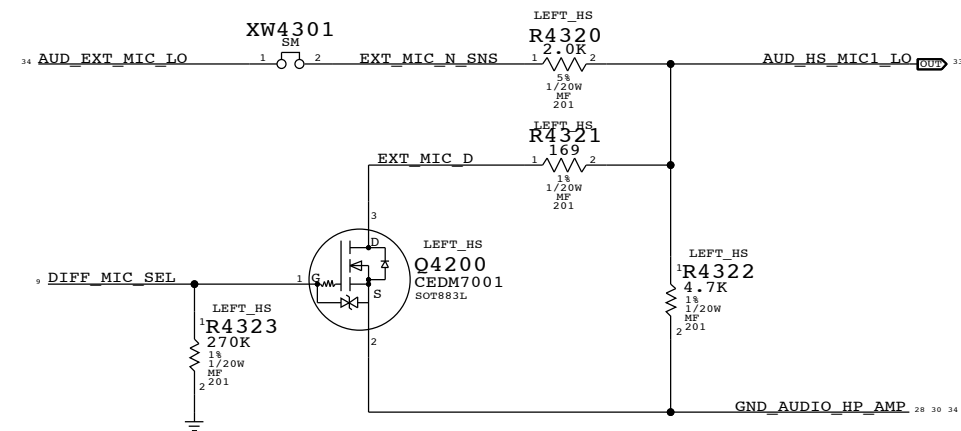
SYNC MASTER=AUDIO SYNC DATE=12/04/2009

PAGE TITLE		
<b>AUDIO: DETECT/MIC BIAS</b>		
DRAWING NUMBER	051-8245	SIZE D
REVISION	B.0.0	
NOTICE OF PROPRIETARY PROPERTY:		
THE INFORMATION CONTAINED HEREIN IS THE PROPRIETARY PROPERTY OF APPLE COMPUTER, INC. THE POSSESSOR AGREES TO THE FOLLOWING:		
I TO MAINTAIN THIS DOCUMENT IN CONFIDENCE		
II NOT TO REPRODUCE OR COPY IT		
III NOT TO REVEAL OR PUBLISH IT IN WHOLE OR PART		
IV ALL RIGHTS RESERVED		
BRANCH	PAGE 42 OF 119	
SHEET	33 OF 53	

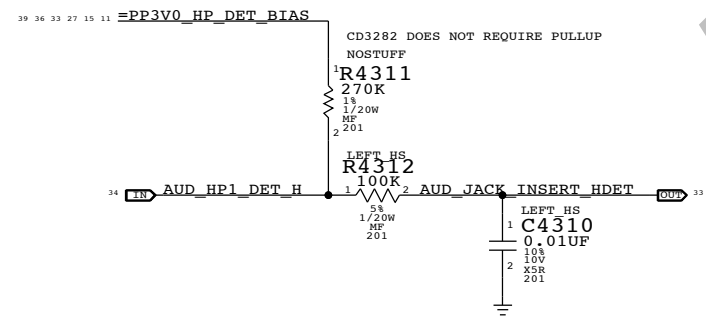
JACK 1 MLB CONNECTOR: HEADPHONE/HS\_MIC/INT\_MIC  
 APN: 518S0693



HEADSET HP/MIC CROSSTALK MITIGATION (NOT USED)



HEADSET JACK INSERTION DETECT

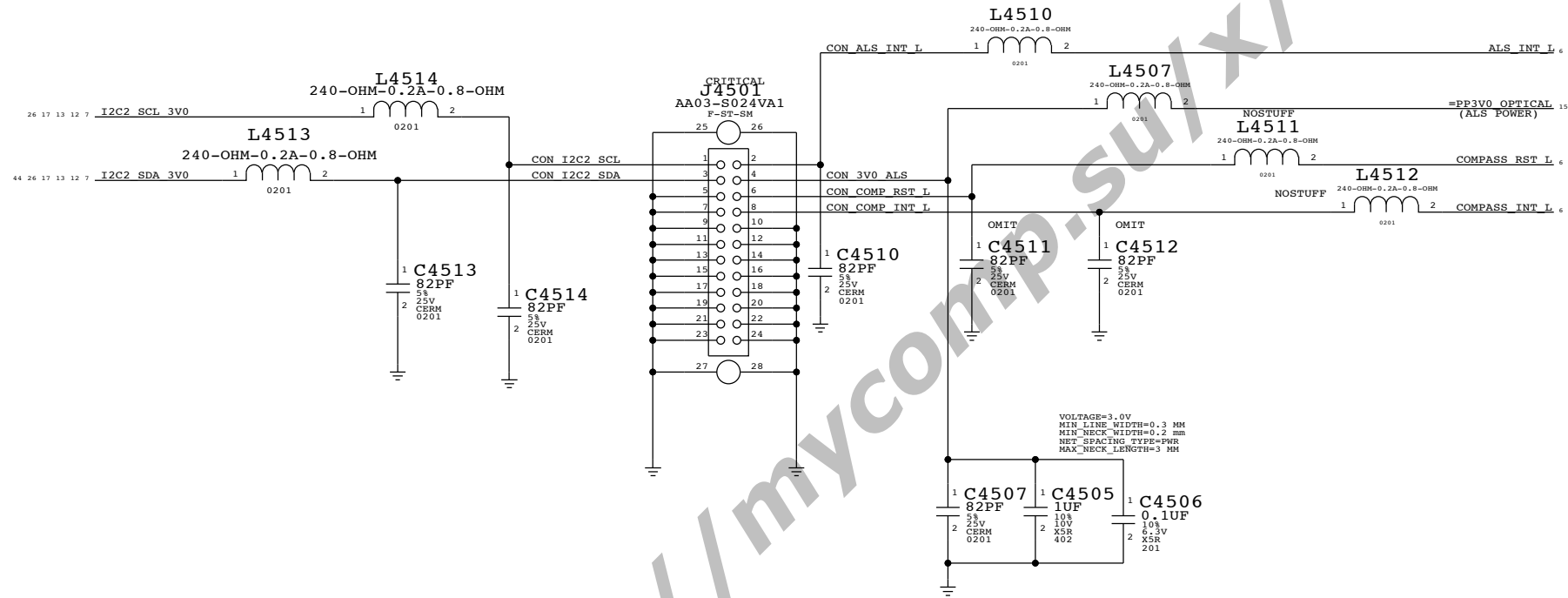


PAGE TITLE		SYNC DATE=12/04/2009	
<b>AUDIO: HP CONN</b>			
 Apple Inc.	DRAWING NUMBER	051-8245	SIZE
	REVISION	B.0.0	D
NOTICE OF PROPRIETARY PROPERTY: THE INFORMATION CONTAINED HEREIN IS THE PROPRIETARY PROPERTY OF APPLE COMPUTER, INC. THE POSSESSOR AGREES TO THE FOLLOWING: I TO MAINTAIN THIS DOCUMENT IN CONFIDENCE II NOT TO REPRODUCE OR COPY IT III NOT TO REVEAL OR PUBLISH IT IN WHOLE OR PART IV ALL RIGHTS RESERVED		BRANCH	
		PAGE	43 OF 119
		SHEET	34 OF 53

# ALS CONN.

## FPC CONNECTOR

APN: 516S0498



PART#	QTY	DESCRIPTION	REFERENCE DESIGNATOR(S)	BOM OPTION
11780002	2	0-OHM, 5%, 1/20W, MF, 0201	C4511, C4512	

SYNC MASTER=MIAMI SYNC DATE=09/16/2009

**ALS CONNECTOR**

Apple Inc.

DRAWING NUMBER: 051-8245 SIZE: D

REVISION: B.0.0

BRANCH:

NOTICE OF PROPRIETARY PROPERTY:  
 THE INFORMATION CONTAINED HEREIN IS THE PROPRIETARY PROPERTY OF APPLE COMPUTER, INC. THE POSSESSOR AGREES TO THE FOLLOWING:  
 I TO MAINTAIN THIS DOCUMENT IN CONFIDENCE  
 II NOT TO REPRODUCE OR COPY IT  
 III NOT TO REVEAL OR PUBLISH IT IN WHOLE OR PART  
 IV ALL RIGHTS RESERVED

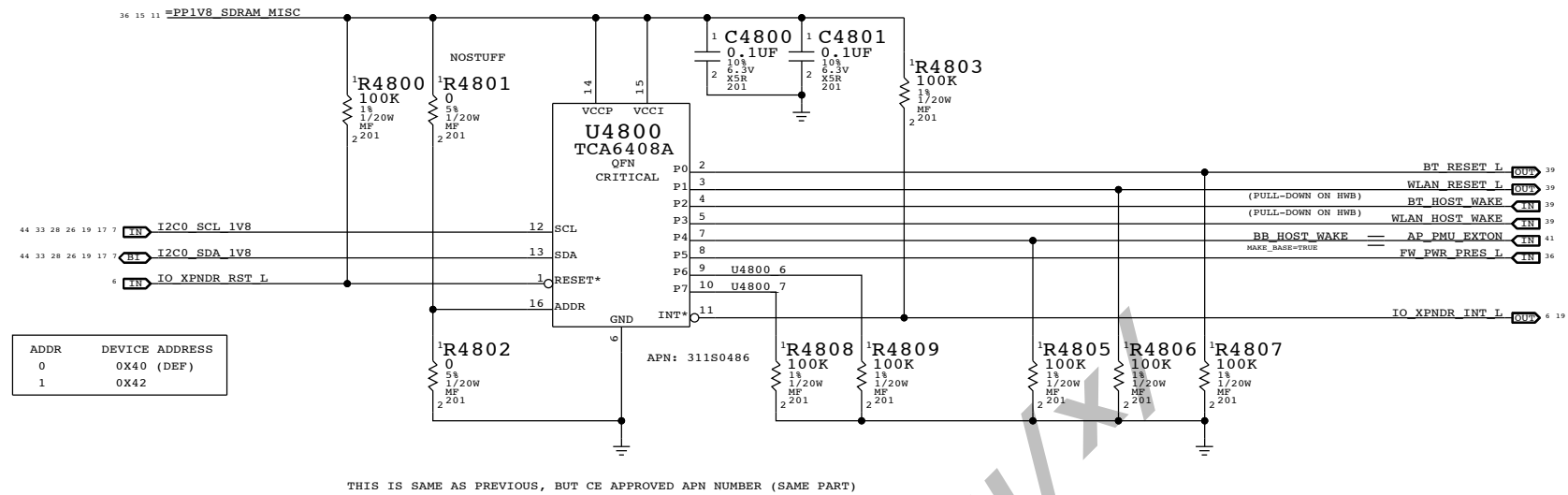
PAGE: 45 OF 119  
 SHEET: 35 OF 53

D

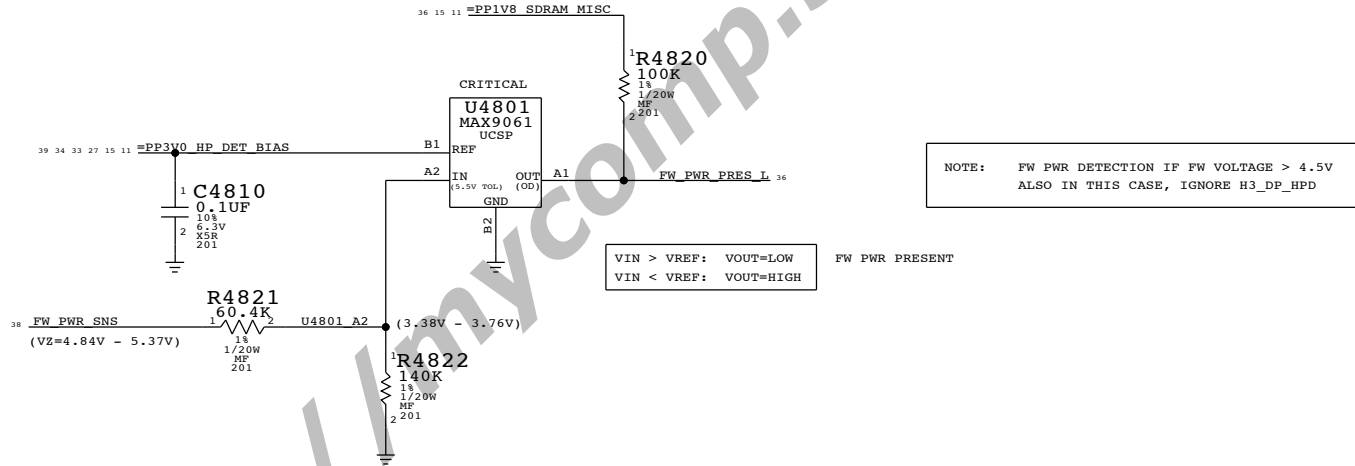
C

B

A

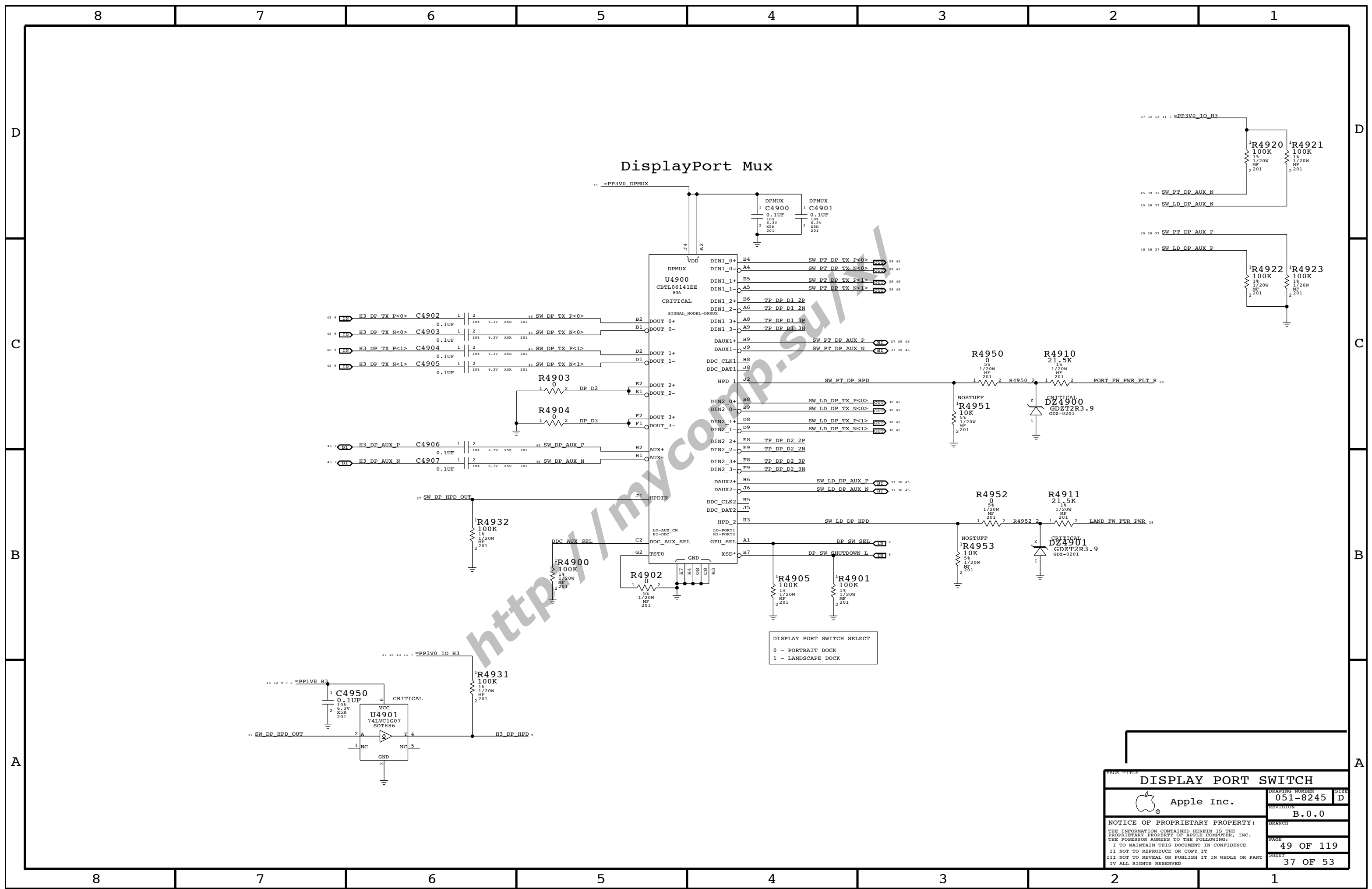


THIS IS SAME AS PREVIOUS, BUT CE APPROVED APN NUMBER (SAME PART)

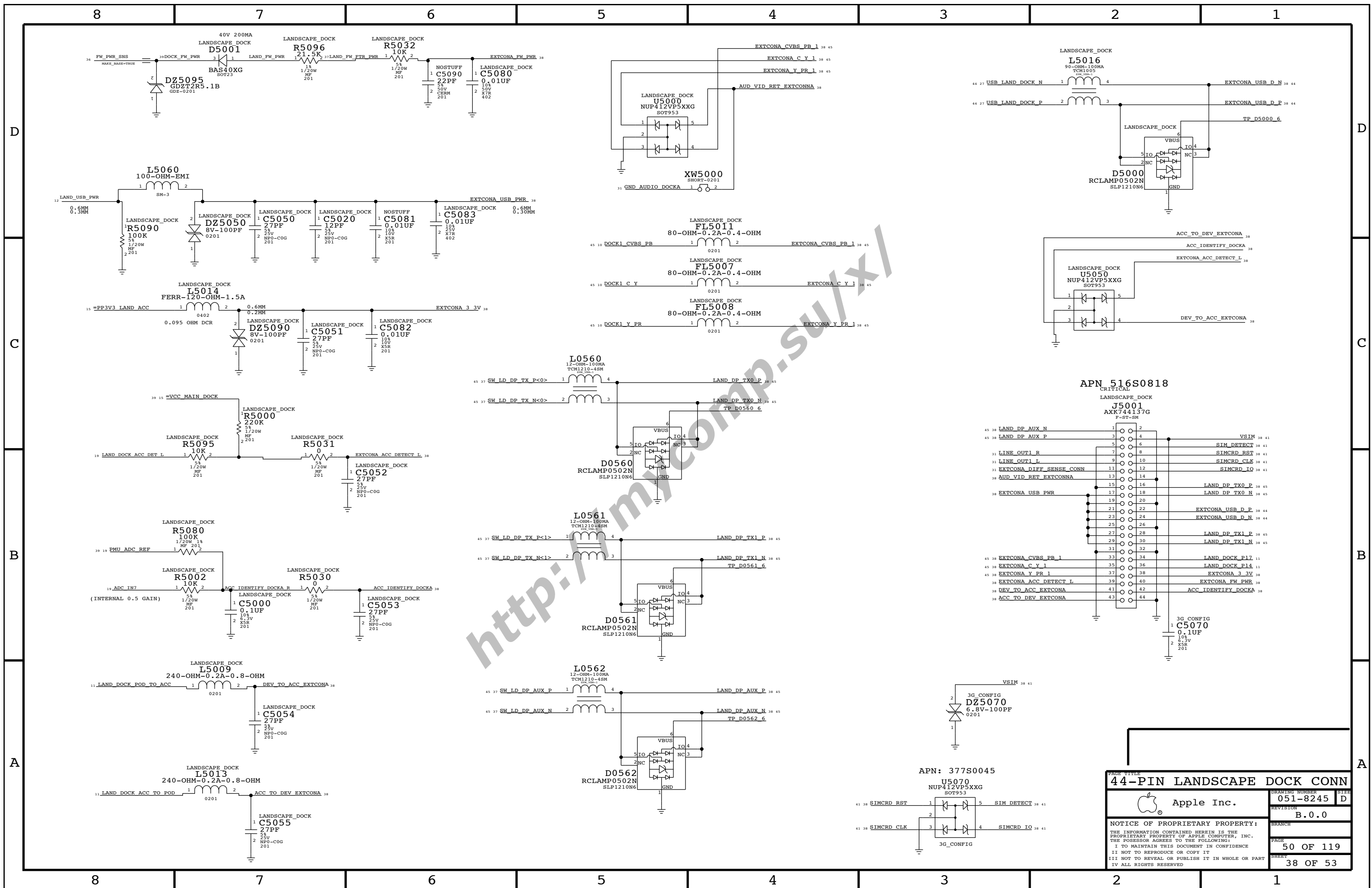


<http://mycomp.su/>

PAGE TITLE		
<b>I/O EXPANDER</b>		
 Apple Inc.	DRAWING NUMBER	051-8245
	REVISION	B.0.0
NOTICE OF PROPRIETARY PROPERTY: THE INFORMATION CONTAINED HEREIN IS THE PROPRIETARY PROPERTY OF APPLE COMPUTER, INC. THE POSSESSOR AGREES TO THE FOLLOWING: I TO MAINTAIN THIS DOCUMENT IN CONFIDENCE II NOT TO REPRODUCE OR COPY IT III NOT TO REVEAL OR PUBLISH IT IN WHOLE OR PART IV ALL RIGHTS RESERVED	BRANCH	
	PAGE	48 OF 119
	SHEET	36 OF 53

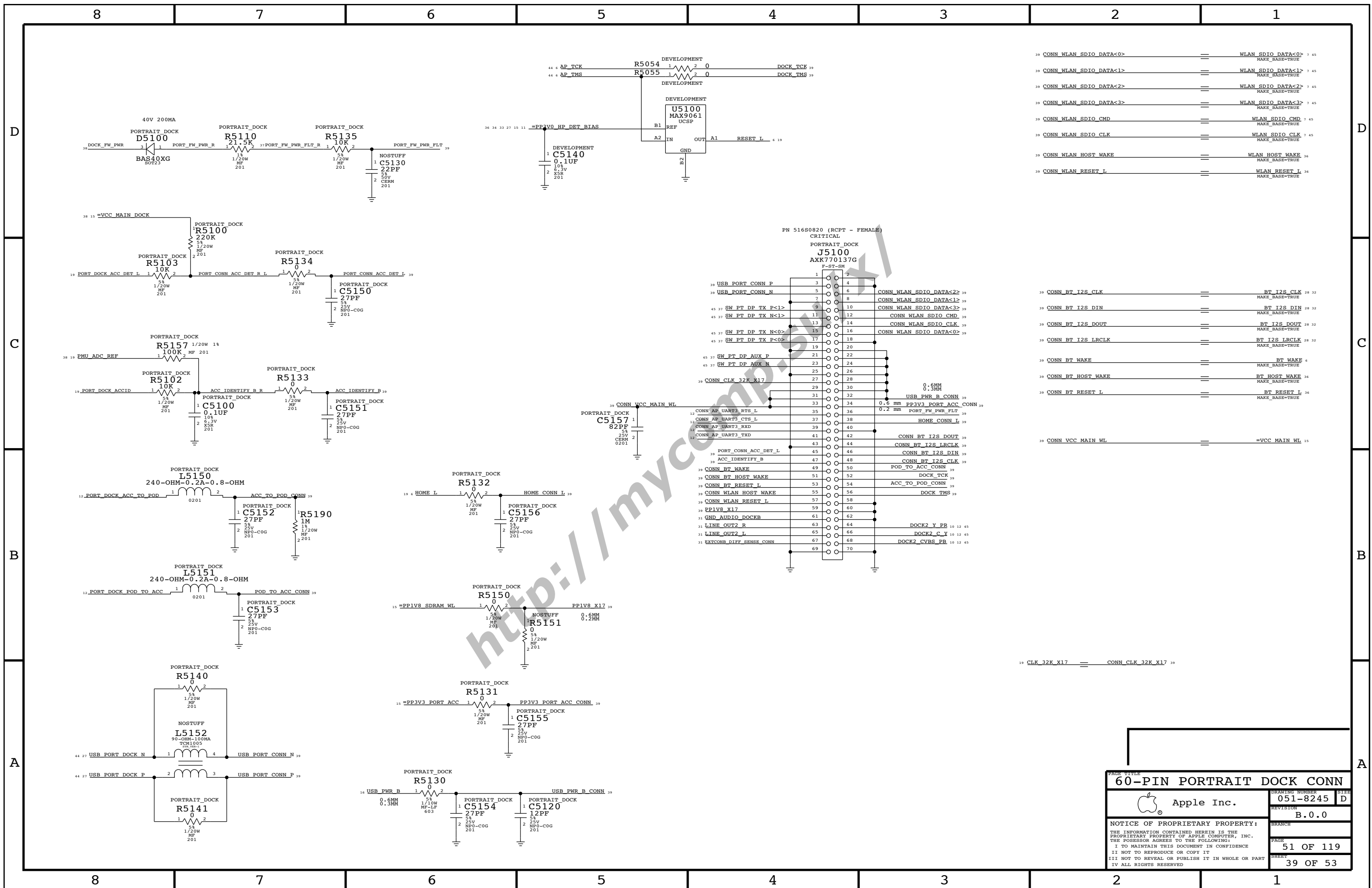


PAGE TITLE		
<b>DISPLAY PORT SWITCH</b>		
Apple Inc.	DRAWING NUMBER	051-8245
	REVISION	B.0.0
NOTICE OF PROPRIETARY PROPERTY: THE INFORMATION CONTAINED HEREIN IS THE PROPRIETARY PROPERTY OF APPLE COMPUTER, INC. THE POSSESSOR AGREES TO THE FOLLOWING: I TO MAINTAIN THIS DOCUMENT IN CONFIDENCE II NOT TO REPRODUCE OR COPY IT III NOT TO REVEAL OR PUBLISH IT IN WHOLE OR PART IV ALL RIGHTS RESERVED	BRANCH	
	PAGE	49 OF 119
	SHEET	37 OF 53



<b>44-PIN LANDSCAPE DOCK CONN</b> Apple Inc.		DRAWING NUMBER <b>051-8245</b>	SIZE <b>D</b>
NOTICE OF PROPRIETARY PROPERTY: THE INFORMATION CONTAINED HEREIN IS THE PROPRIETARY PROPERTY OF APPLE COMPUTER, INC. THE POSSESSOR AGREES TO THE FOLLOWING: I TO MAINTAIN THIS DOCUMENT IN CONFIDENCE II NOT TO REPRODUCE OR COPY IT III NOT TO REVEAL OR PUBLISH IT IN WHOLE OR PART IV ALL RIGHTS RESERVED		REVISION <b>B.0.0</b>	BRANCH  
		PAGE <b>50 OF 119</b>	SHEET <b>38 OF 53</b>






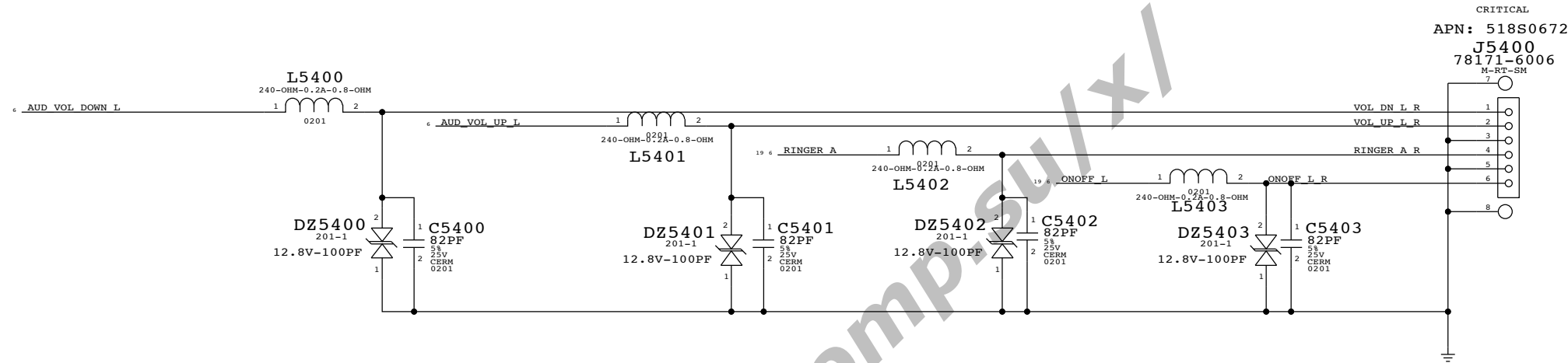
39	CONN WLAN SDIO DATA<0>	==	WLAN SDIO DATA<0>	7 45
			MAKE_BASE=TRUE	
39	CONN WLAN SDIO DATA<1>	==	WLAN SDIO DATA<1>	7 45
			MAKE_BASE=TRUE	
39	CONN WLAN SDIO DATA<2>	==	WLAN SDIO DATA<2>	7 45
			MAKE_BASE=TRUE	
39	CONN WLAN SDIO DATA<3>	==	WLAN SDIO DATA<3>	7 45
			MAKE_BASE=TRUE	
39	CONN WLAN SDIO CMD	==	WLAN SDIO CMD	7 45
			MAKE_BASE=TRUE	
39	CONN WLAN SDIO CLK	==	WLAN SDIO CLK	7 45
			MAKE_BASE=TRUE	
39	CONN WLAN HOST WAKE	==	WLAN HOST WAKE	36
			MAKE_BASE=TRUE	
39	CONN WLAN RESET L	==	WLAN RESET L	36
			MAKE_BASE=TRUE	

39	CONN BT I2S_CLK	==	BT I2S_CLK	28 32
			MAKE_BASE=TRUE	
39	CONN BT I2S DIN	==	BT I2S DIN	28 32
			MAKE_BASE=TRUE	
39	CONN BT I2S DOUT	==	BT I2S DOUT	28 32
			MAKE_BASE=TRUE	
39	CONN BT I2S LRCLK	==	BT I2S LRCLK	28 32
			MAKE_BASE=TRUE	
39	CONN BT WAKE	==	BT WAKE	6
			MAKE_BASE=TRUE	
39	CONN BT_HOST WAKE	==	BT_HOST WAKE	36
			MAKE_BASE=TRUE	
39	CONN BT RESET L	==	BT RESET L	36
			MAKE_BASE=TRUE	

19 CLK 32K X17 == CONN\_CLK 32K X17 39

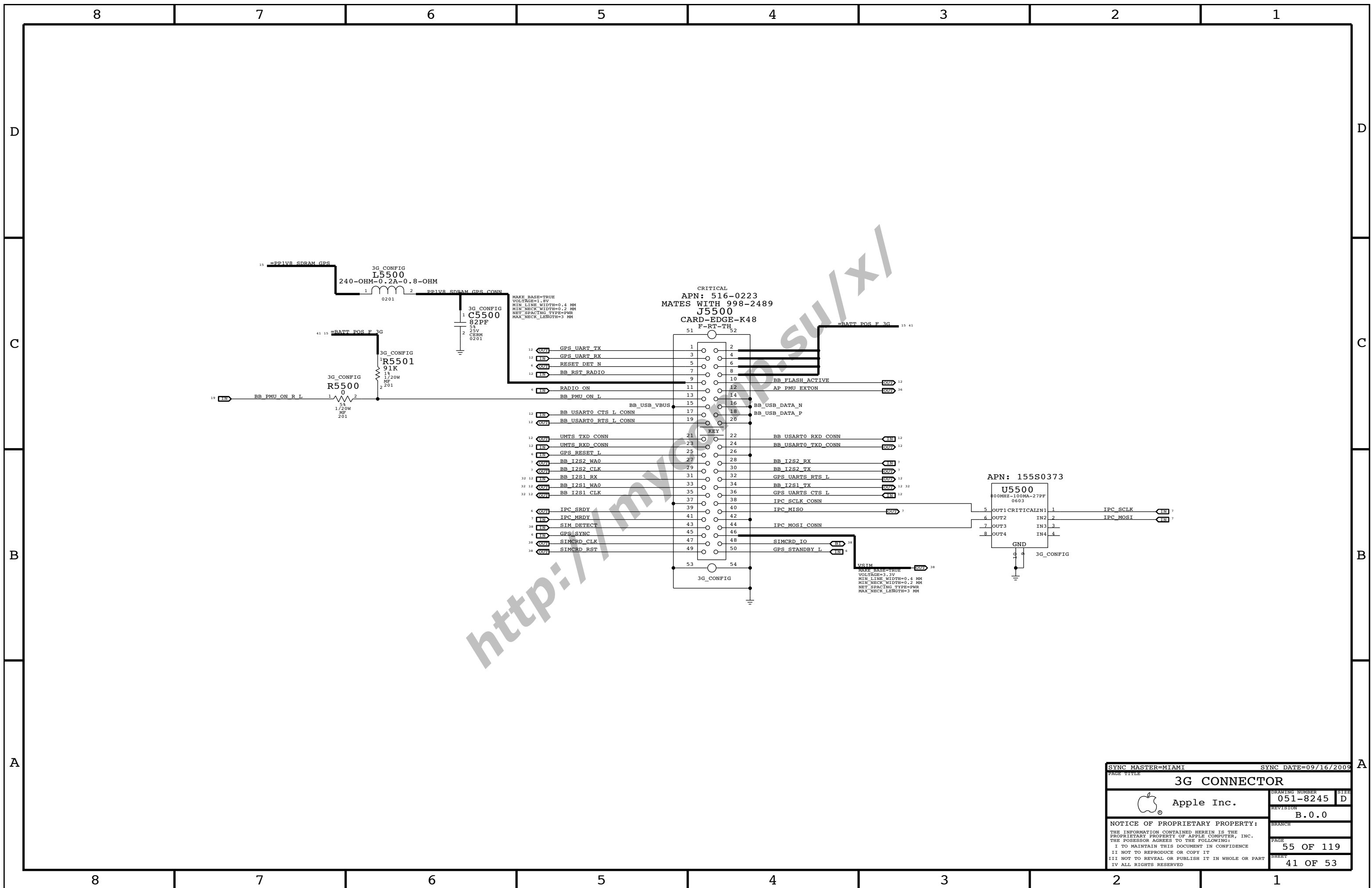
PAGE TITLE		
<b>60-PIN PORTRAIT DOCK CONN</b>		
 Apple Inc.	DRAWING NUMBER	051-8245
	REVISION	B.0.0
NOTICE OF PROPRIETARY PROPERTY:		
THE INFORMATION CONTAINED HEREIN IS THE PROPRIETARY PROPERTY OF APPLE COMPUTER, INC. THE POSSESSOR AGREES TO THE FOLLOWING:		
I TO MAINTAIN THIS DOCUMENT IN CONFIDENCE		
II NOT TO REPRODUCE OR COPY IT		
III NOT TO REVEAL OR PUBLISH IT IN WHOLE OR PART		
IV ALL RIGHTS RESERVED		
	PAGE	51 OF 119
	SHEET	39 OF 53

# BUTTON CONNECTOR



<http://mycomp.com/xl>

SYNC MASTER=MIAMI		SYNC DATE=09/16/2009	
<b>BUTTONS CONNECTOR</b>			
Apple Inc.		DRAWING NUMBER	051-8245
		REVISION	B.0.0
NOTICE OF PROPRIETARY PROPERTY: THE INFORMATION CONTAINED HEREIN IS THE PROPRIETARY PROPERTY OF APPLE COMPUTER, INC. THE POSSESSOR AGREES TO THE FOLLOWING: I TO MAINTAIN THIS DOCUMENT IN CONFIDENCE II NOT TO REPRODUCE OR COPY IT III NOT TO REVEAL OR PUBLISH IT IN WHOLE OR PART IV ALL RIGHTS RESERVED		BRANCH	
		PAGE	54 OF 119
		SHEET	40 OF 53



http://mycircuit.com/su/xl

SYNC MASTER=MIAMI		SYNC DATE=09/16/2009	
<b>3G CONNECTOR</b>			
Apple Inc.		DRAWING NUMBER	051-8245
		REVISION	B.0.0
NOTICE OF PROPRIETARY PROPERTY:		BRANCH	
THE INFORMATION CONTAINED HEREIN IS THE PROPRIETARY PROPERTY OF APPLE COMPUTER, INC. THE POSSESSOR AGREES TO THE FOLLOWING:		PAGE	55 OF 119
I TO MAINTAIN THIS DOCUMENT IN CONFIDENCE		SHEET	41 OF 53
II NOT TO REPRODUCE OR COPY IT			
III NOT TO REVEAL OR PUBLISH IT IN WHOLE OR PART			
IV ALL RIGHTS RESERVED			



### 16GB FLASH CONFIGURATIONS

PART#	QTY	DESCRIPTION	REFERENCE DESIGNATOR(S)	BOM OPTION
335S0648	2	TOSHIBA 43NM 8GB	U6700,U6710	16GB_PROD

PART NUMBER	ALTERNATE FOR PART NUMBER	BOM OPTION	REF DES	COMMENTS:
335S0683	335S0648	16GB_PROD	U6700,U6710	SAMSUNG 35NM 8GB

### 32GB FLASH CONFIGURATIONS

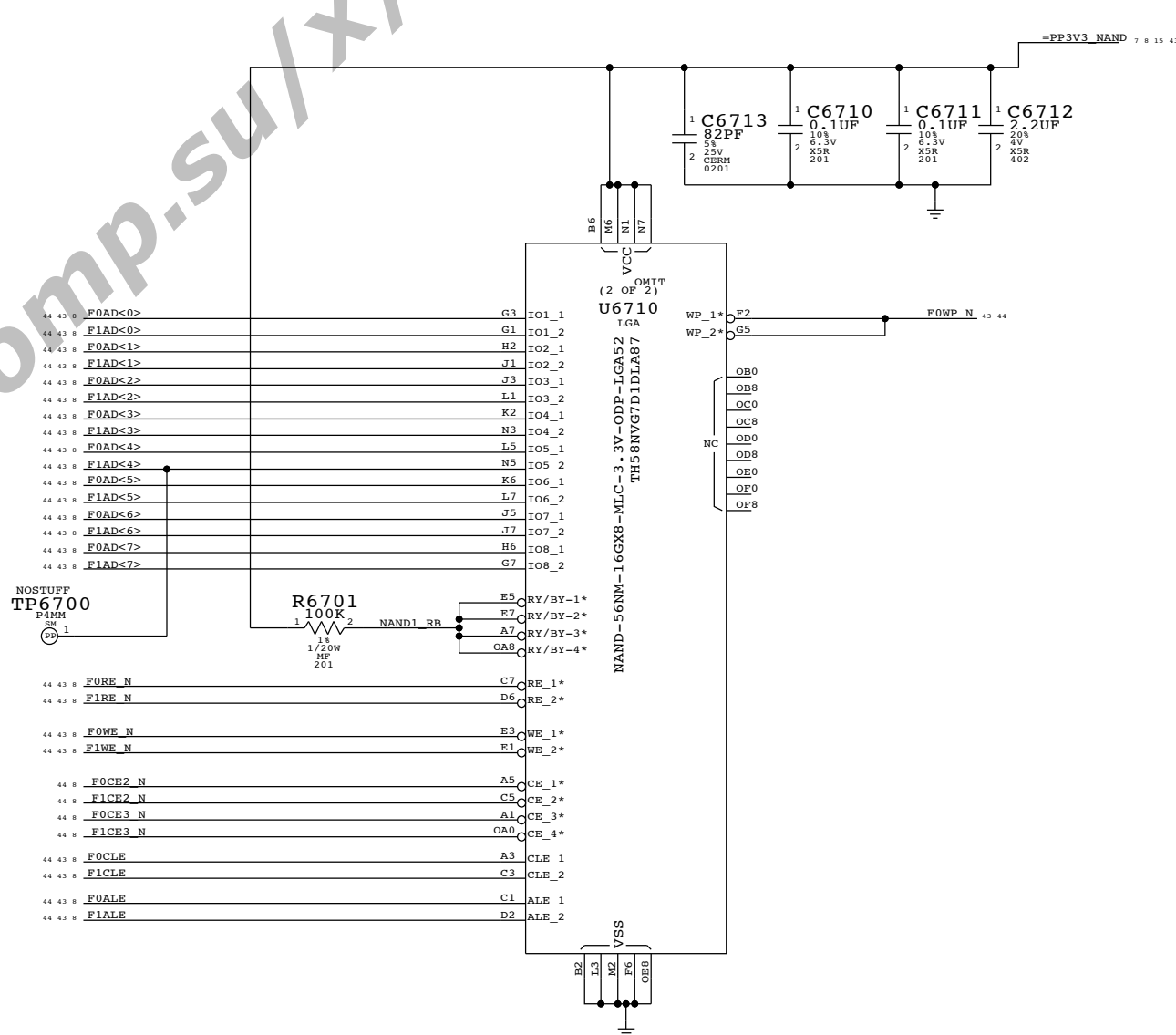
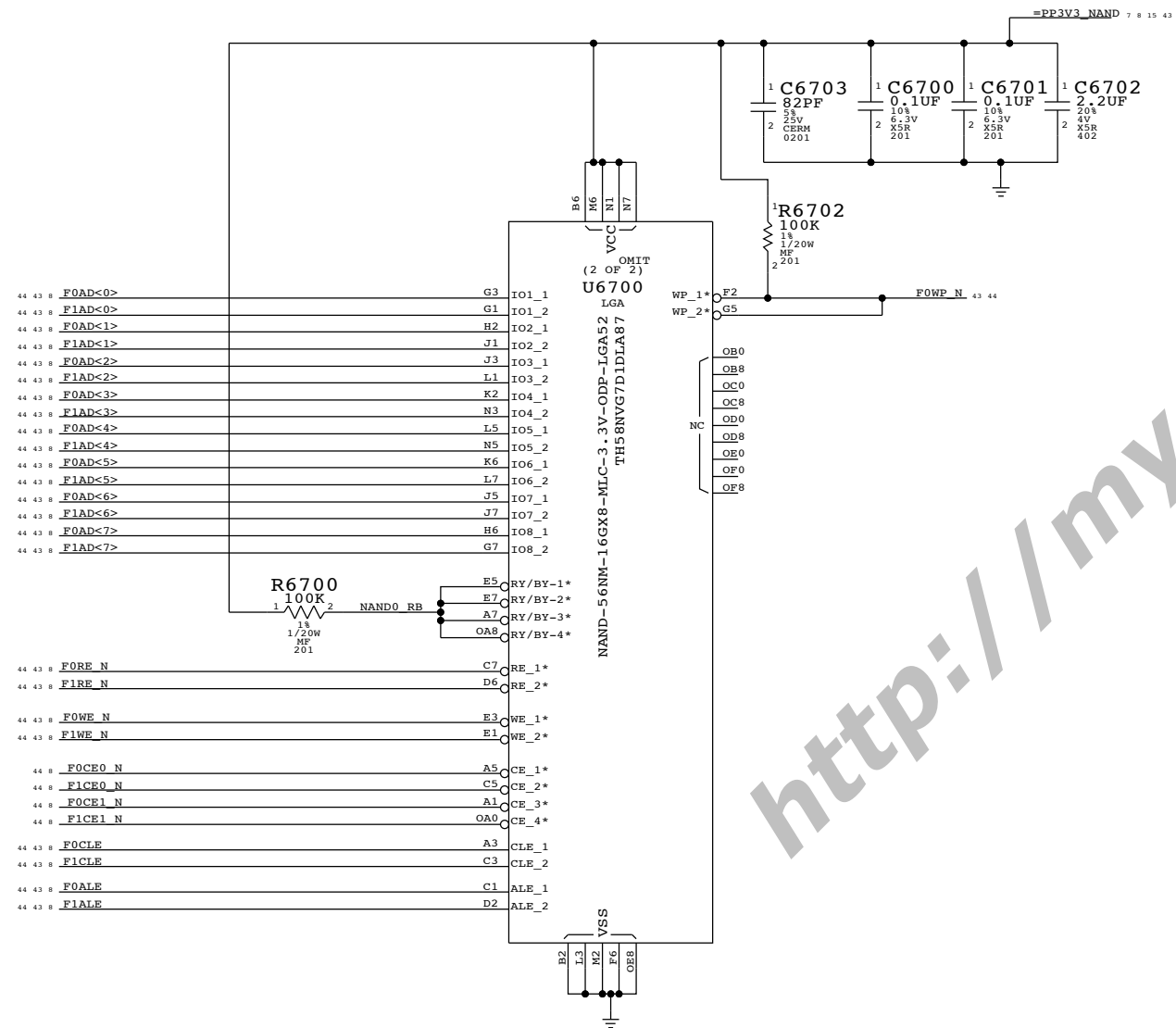
PART#	QTY	DESCRIPTION	REFERENCE DESIGNATOR(S)	BOM OPTION
335S0649	2	TOSHIBA 43NM 16GB	U6700,U6710	32GB_PROD

PART NUMBER	ALTERNATE FOR PART NUMBER	BOM OPTION	REF DES	COMMENTS:
335S0682	335S0649	32GB_PROD	U6700,U6710	SAMSUNG 35NM 16GB

### 64GB FLASH CONFIGURATIONS

PART#	QTY	DESCRIPTION	REFERENCE DESIGNATOR(S)	BOM OPTION
335S0650	2	TOSHIBA 43NM 32GB	U6700,U6710	64GB_PROD

PART NUMBER	ALTERNATE FOR PART NUMBER	BOM OPTION	REF DES	COMMENTS:
335S0665	335S0650	64GB_PROD	U6700,U6710	SAMSUNG 35NM 32GB



<http://mycomp.su/xl>

SYNC MASTER=MIAMI		SYNC DATE=09/16/2009	
<b>FLASH</b>			
Apple Inc.		DRAWING NUMBER	SIZE
		051-8245	D
		REVISION	
		B.0.0	
NOTICE OF PROPRIETARY PROPERTY:			
THE INFORMATION CONTAINED HEREIN IS THE PROPRIETARY PROPERTY OF APPLE COMPUTER, INC. THE POSSESSOR AGREES TO THE FOLLOWING:			
I TO MAINTAIN THIS DOCUMENT IN CONFIDENCE			
II NOT TO REPRODUCE OR COPY IT			
III NOT TO REVEAL OR PUBLISH IT IN WHOLE OR PART			
IV ALL RIGHTS RESERVED			
		PAGE	
		67 OF 119	
		SHEET	
		43 OF 53	

**Clock Signal Constraints**

NET_PHYSICAL_TYPE	AREA_TYPE	PHYSICAL_RULE_SET
CLK_50S	*	50_OHM_SE

NET_SPACING_TYPE1	NET_SPACING_TYPE2	AREA_TYPE	SPACING_RULE_SET
CLK	*	*	0P5MM_SPACING

**USB 2.0 Interface Constraints**

NET_PHYSICAL_TYPE	AREA_TYPE	PHYSICAL_RULE_SET
USB_90D	*	90_OHM_DIFF

NET_SPACING_TYPE1	NET_SPACING_TYPE2	AREA_TYPE	SPACING_RULE_SET
USB	*	*	0P5MM_SPACING

**OTHER CONSTRAINTS**


NET_PHYSICAL_TYPE	AREA_TYPE	PHYSICAL_RULE_SET
I2C_50S	*	50_OHM_SE
NAND_50S	*	50_OHM_SE
AUDIO	*	1:1_DIFFPAIR
SPEAKER	*	SPEAKER

NET_SPACING_TYPE1	NET_SPACING_TYPE2	AREA_TYPE	SPACING_RULE_SET
NAND	*	*	1.5:1_SPACING
I2C	*	*	1.5:1_SPACING
AUDIO	*	*	3:1_SPACING

ELECTRICAL_CONSTRAINT_SET	NET_TYPE				
	PHYSICAL	SPACING			
E115		JTAG	AP_TCK	6 39	
E116		JTAG	AP_TMS	6 39	
E117		JTAG	AP_TDI	6 12	
E118		JTAG	AP_TDO	12	
E120		JTAG	AP_RTCK		
E18	USB	USB_90D	USB_LAND DOCK_P	27 38	
E19	USB	USB_90D	USB_LAND DOCK_N	27 38	
E20	USB	USB_90D	USB_PORT DOCK_P	27 39	
E21	USB	USB_90D	USB_PORT DOCK_N	27 39	
E22		USB_90D	EXTCONA USB D_P	38	
E23		USB_90D	EXTCONA USB D_N	38	
E24	USB	USB_90D	USB_DP	6 27	
E25	USB	USB_90D	USB_DM	6 27	
E222			I2S1_DOUT	7 12	
E223			I2S1_DIN	7 12	
E224			I2S1_BCLK	7 12	
E225			I2S1_LRCLK	7 12	
E226			I2S1_MCLK		
E283		CLK_50S	CLK	CLK_32K_PMU	19 24
E349		NAND_50S	NAND	F1AD<7..0>	8 43
E350		NAND_50S	NAND	F0AD<7..0>	8 43
E351		NAND_50S	NAND	F0CE0_N	8 43
E352		NAND_50S	NAND	F0CE1_N	8 43
E353		NAND_50S	NAND	F0CE2_N	8 43
E354		NAND_50S	NAND	F0CE3_N	8 43
E355		NAND_50S	NAND	F0CLE	8 43
E356		NAND_50S	NAND	F0ALE	8 43
E357		NAND_50S	NAND	F0RE_N	8 43
E358		NAND_50S	NAND	F0WE_N	8 43
E359		NAND_50S	NAND	F0WP_N	43
E361		NAND_50S	NAND	F1CE0_N	8 43
E362		NAND_50S	NAND	F1CE1_N	8 43
E363		NAND_50S	NAND	F1CE2_N	8 43
E364		NAND_50S	NAND	F1CE3_N	8 43
E365		NAND_50S	NAND	F1CLE	8 43
E366		NAND_50S	NAND	F1ALE	8 43
E367		NAND_50S	NAND	F1RE_N	8 43
E368		NAND_50S	NAND	F1WE_N	8 43
E369		NAND_50S	NAND	F1WP_N	
E378	SPEAKER	AUDIO	SPKRAMP_L_OUT_P	29	
E379	SPEAKER	AUDIO	SPKRAMP_L_OUT_N	29	
E380	SPEAKER	AUDIO	SPKRAMP_R_OUT_P	29	
E381	SPEAKER	AUDIO	SPKRAMP_R_OUT_N	29	
E382	SPEAKER_ECS	AUDIO	EAR_OUT_P	28 29	
E383	AUDIO	AUDIO	EAR_OUT_N	28 29	
E389	AUDIO	AUDIO	SSM2319_L_IN_P	29	
E390	AUDIO	AUDIO	SSM2319_L_IN_N	29	
E396	SPEAKER_ECS	AUDIO	MONO_OUT_P	28 29	
E397	AUDIO	AUDIO	MONO_OUT_N	28 29	
E398	AUDIO	AUDIO	SSM2319_R_IN_P	29	
E399	AUDIO	AUDIO	SSM2319_R_IN_N	29	

**I2C BUS NET PROPERTIES**

ELECTRICAL_CONSTRAINT_SET	NET_TYPE				
	PHYSICAL	SPACING			
E11	I2C1_ECS	I2C_50S	I2C	I2C1_SDA_1V8	7
E12	I2C1_ECS	I2C_50S	I2C	I2C1_SCL_1V8	7
E13	I2C0_ECS	I2C_50S	I2C	I2C0_SDA_1V8	7 17 19 26 28 33 36
E14	I2C0_ECS	I2C_50S	I2C	I2C0_SCL_1V8	7 17 19 26 28 33 36
E15	I2C2_ECS	I2C_50S	I2C	I2C2_SDA_3V0	7 12 13 17 26 35 44
E16	I2C2_ECS	I2C_50S	I2C	I2C2_SCL_3V0	7 12 13 17 26 35 44

SYNC MASTER=MIAMI		SYNC DATE=09/16/2009	
<b>CONSTRAINTS</b>			
 Apple Inc.		DRAWING NUMBER	051-8245
		REVISION	B.0.0
NOTICE OF PROPRIETARY PROPERTY: THE INFORMATION CONTAINED HEREIN IS THE PROPRIETARY PROPERTY OF APPLE COMPUTER, INC. THE POSSESSOR AGREES TO THE FOLLOWING: I TO MAINTAIN THIS DOCUMENT IN CONFIDENCE II NOT TO REPRODUCE OR COPY IT III NOT TO REVEAL OR PUBLISH IT IN WHOLE OR PART IV ALL RIGHTS RESERVED		BRANCH	
		PAGE	100 OF 119
		SHEET	44 OF 53

Video Signal Constraints

PHYSICAL_RULE_SET	LAYER	ALLOW ROUTE ON LAYER?	MINIMUM LINE WIDTH	MINIMUM NECK WIDTH	MAXIMUM NECK LENGTH	DIFFPAIR PRIMARY GAP	DIFFPAIR NECK GAP
VID_50S	*	Y	=50_OHM_SE	=50_OHM_SE	=50_OHM_SE	=STANDARD	=STANDARD

NET_PHYSICAL_TYPE	AREA_TYPE	PHYSICAL_RULE_SET
LVDS_100D	*	90_OHM_DIFF
MIPI_100D	*	90_OHM_DIFF
SMIA_100D	*	90_OHM_DIFF
DP_100D	*	90_OHM_DIFF

NET_SPACING_TYPE1	NET_SPACING_TYPE2	AREA_TYPE	SPACING_RULE_SET
ANALOG_VIDEO	*	*	2.5:1_SPACING
LVDS	*	*	4:1_SPACING
MIPI	*	*	4:1_SPACING
SMIA	*	*	4:1_SPACING
DP	*	*	4:1_SPACING

SDIO SIGNAL CONSTRAINTS

NET_PHYSICAL_TYPE	AREA_TYPE	PHYSICAL_RULE_SET
SDIO_50S	*	50_OHM_SE

NET_SPACING_TYPE1	NET_SPACING_TYPE2	AREA_TYPE	SPACING_RULE_SET
SDIO	*	*	1.5:1_SPACING

MIPI, SMIA AND DISPLAYPORT BUS CONSTRAINTS

ELECTRICAL_CONSTRAINT_SET	NET_TYPE				
	PHYSICAL	SPACING			
E230	MIPI_ECS	MIPI_100D	MIPI	H3 MIPID DATA P<0>	9 14
E231	MIPI_ECS	MIPI_100D	MIPI	H3 MIPID DATA N<0>	9 14
E232	MIPI_ECS	MIPI_100D	MIPI	H3 MIPID DATA P<1>	9 14
E233	MIPI_ECS	MIPI_100D	MIPI	H3 MIPID DATA N<1>	9 14
E234	MIPI_ECS	MIPI_100D	MIPI	H3 MIPID DATA P<2>	9 14
E235	MIPI_ECS	MIPI_100D	MIPI	H3 MIPID DATA N<2>	9 14
E236	MIPI_ECS	MIPI_100D	MIPI	H3 MIPID DATA P<3>	9 14
E237	MIPI_ECS	MIPI_100D	MIPI	H3 MIPID DATA N<3>	9 14
E238	MIPI_ECS	MIPI_100D	MIPI	H3 MIPID CLK P	9 14
E239	MIPI_ECS	MIPI_100D	MIPI	H3 MIPID CLK N	9 14
E240	SMIA_ECS	SMIA_100D	SMIA	CAM SMIA DATA P	
E241	SMIA_ECS	SMIA_100D	SMIA	CAM SMIA DATA N	
E242	SMIA_ECS	SMIA_100D	SMIA	CAM SMIA CLK P	
E243	SMIA_ECS	SMIA_100D	SMIA	CAM SMIA CLK N	
E244		SMIA_100D	SMIA	CONN SMIA CLK P	
E245		SMIA_100D	SMIA	CONN SMIA CLK N	
E246	DP_H3_ECS	DP_100D	DP	H3 DP TX P<0>	9 37
E247	DP_H3_ECS	DP_100D	DP	H3 DP TX N<0>	9 37
E248	DP_H3_ECS	DP_100D	DP	H3 DP TX P<1>	9 37
E249	DP_H3_ECS	DP_100D	DP	H3 DP TX N<1>	9 37
E250	DP_H3_ECS	DP_100D	DP	H3 DP AUX P	9 37
E251	DP_H3_ECS	DP_100D	DP	H3 DP AUX N	9 37
E252		DP_100D	DP	SW DP TX P<0>	37
E253		DP_100D	DP	SW DP TX N<0>	37
E254		DP_100D	DP	SW DP TX P<1>	37
E255		DP_100D	DP	SW DP TX N<1>	37
E256		DP_100D	DP	SW DP AUX P	37
E257		DP_100D	DP	SW DP AUX N	37
E258	DP_PORT_ECS	DP_100D	DP	SW_PT DP TX P<0>	37 39
E259	DP_PORT_ECS	DP_100D	DP	SW_PT DP TX N<0>	37 39
E260	DP_PORT_ECS	DP_100D	DP	SW_PT DP TX P<1>	37 39
E261	DP_PORT_ECS	DP_100D	DP	SW_PT DP TX N<1>	37 39
E262	DP_PORT_ECS	DP_100D	DP	SW_PT DP AUX P	37 39
E263	DP_PORT_ECS	DP_100D	DP	SW_PT DP AUX N	37 39
E264	DP_LAND_ECS	DP_100D	DP	SW_LD DP TX P<0>	37 38
E265	DP_LAND_ECS	DP_100D	DP	SW_LD DP TX N<0>	37 38
E266	DP_LAND_ECS	DP_100D	DP	SW_LD DP TX P<1>	37 38
E267	DP_LAND_ECS	DP_100D	DP	SW_LD DP TX N<1>	37 38
E268	DP_LAND_ECS	DP_100D	DP	SW_LD DP AUX P	37 38
E269	DP_LAND_ECS	DP_100D	DP	SW_LD DP AUX N	37 38
E270		DP_100D	DP	LAND DP TX0 P	38
E271		DP_100D	DP	LAND DP TX0 N	38
E272		DP_100D	DP	LAND DP TX1 P	38
E273		DP_100D	DP	LAND DP TX1 N	38
E274		DP_100D	DP	LAND DP AUX P	38
E275		DP_100D	DP	LAND DP AUX N	38
E276		DP_100D	DP	LAND DP TX0 P	38
E277		DP_100D	DP	LAND DP TX0 N	38
E278		DP_100D	DP	LAND DP TX1 P	38
E279		DP_100D	DP	LAND DP TX1 N	38
E280		DP_100D	DP	LAND DP AUX P	38
E281		DP_100D	DP	LAND DP AUX N	38

ANALOG VIDEO CONSTRAINTS


ELECTRICAL_CONSTRAINT_SET	NET_TYPE			
	PHYSICAL	SPACING		
E282	VID_50S	ANALOG_VIDEO	DAC_OUT1	10
E283	VID_50S	ANALOG_VIDEO	DAC_OUT2	10
E284	VID_50S	ANALOG_VIDEO	DAC_OUT3	10
E285	VID_50S	ANALOG_VIDEO	LAND YOUT	10
E286	VID_50S	ANALOG_VIDEO	LAND CVBS_OUT	10
E287	VID_50S	ANALOG_VIDEO	LAND COUT	10
E288	VID_50S	ANALOG_VIDEO	PORT YOUT	10
E289	VID_50S	ANALOG_VIDEO	PORT CVBS_OUT	10
E290	VID_50S	ANALOG_VIDEO	PORT COUT	10
E291	VID_50S	ANALOG_VIDEO	DOCK1 CVBS_PB	10 38
E292	VID_50S	ANALOG_VIDEO	DOCK1 C Y	10 38
E293	VID_50S	ANALOG_VIDEO	DOCK1 Y PR	10 38
E294	VID_50S	ANALOG_VIDEO	EXTCONA CVBS_PB 1	38
E295	VID_50S	ANALOG_VIDEO	EXTCONA C Y 1	38
E296	VID_50S	ANALOG_VIDEO	EXTCONA Y PR 1	38
E297	VID_50S	ANALOG_VIDEO	DOCK2 CVBS_PB	10 12 39
E298	VID_50S	ANALOG_VIDEO	DOCK2 C Y	10 12 39
E299	VID_50S	ANALOG_VIDEO	DOCK2 Y PR	10 12 39

LVDS CONSTRAINTS

ELECTRICAL_CONSTRAINT_SET	NET_TYPE				
	PHYSICAL	SPACING			
E300	LVDS_ECS	LVDS_100D	LVDS	LVDS DATA P<2..0>	13 25
E301	LVDS_ECS	LVDS_100D	LVDS	LVDS DATA N<2..0>	13 25
E302	LVDS_ECS	LVDS_100D	LVDS	LVDS CLK P	13 25
E303	LVDS_ECS	LVDS_100D	LVDS	LVDS CLK N	13 25
E304		LVDS_100D	LVDS	LVDS CONN CLK P	25
E305		LVDS_100D	LVDS	LVDS CONN CLK N	25
E306		LVDS_100D	LVDS	LVDS DAT P<2..0>	25
E307		LVDS_100D	LVDS	LVDS DAT N<2..0>	25

HX SDIO CONSTRAINTS

ELECTRICAL_CONSTRAINT_SET	NET_TYPE				
	PHYSICAL	SPACING			
E308	WLAN_SDIO_ECS	SDIO_50S	SDIO	WLAN SDIO CLK	7 39
E309	WLAN_SDIO_CMD_ECS	SDIO_50S	SDIO	WLAN SDIO CMD	7 39
E310	WLAN_SDIO_ECS	SDIO_50S	SDIO	WLAN SDIO DATA<3..0>	7 39

SYNC MASTER=MIAMI		SYNC DATE=09/16/2009	
<b>MORE CONSTRAINTS</b>			
 Apple Inc.		DRAWING NUMBER	051-8245
		REVISION	B.0.0
NOTICE OF PROPRIETARY PROPERTY:		BRANCH	
THE INFORMATION CONTAINED HEREIN IS THE PROPRIETARY PROPERTY OF APPLE COMPUTER, INC. THE POSSESSOR AGREES TO THE FOLLOWING:		PAGE	101 OF 119
I TO MAINTAIN THIS DOCUMENT IN CONFIDENCE		SHEET	45 OF 53
II NOT TO REPRODUCE OR COPY IT			
III NOT TO REVEAL OR PUBLISH IT IN WHOLE OR PART			
IV ALL RIGHTS RESERVED			

MIAMI BOARD-SPECIFIC SPACING & PHYSICAL CONSTRAINTS (10-LAYER)

BOARD LAYERS		BOARD AREAS		BOARD UNITS (MIL OR MM)	ALLEGRO VERSION
TOP, ISL2, ISL3, ISL4, ISL5, ISL6, ISL7, ISL8, ISL9, BOTTOM		NO_TYPE, BGA		MM	15.2

PHYSICAL_RULE_SET	LAYER	ALLOW ROUTE ON LAYER?	MINIMUM LINE WIDTH	MINIMUM NECK WIDTH	MAXIMUM NECK LENGTH	DIFFPAIR PRIMARY GAP	DIFFPAIR NECK GAP
DEFAULT	*	Y	=50_OHM_SE	=50_OHM_SE	30 MM	0 MM	0 MM
STANDARD	*	Y	=DEFAULT	=DEFAULT	12.7 MM	=DEFAULT	=DEFAULT

PHYSICAL_RULE_SET	LAYER	ALLOW ROUTE ON LAYER?	MINIMUM LINE WIDTH	MINIMUM NECK WIDTH	MAXIMUM NECK LENGTH	DIFFPAIR PRIMARY GAP	DIFFPAIR NECK GAP
50_OHM_SE	TOP, BOTTOM	Y	0.230 MM	0.070 MM	3.0 MM		
50_OHM_SE	ISL2, ISL9	Y	0.076 MM	0.070 MM	3.0 MM		
50_OHM_SE	ISL4, ISL7	Y	0.076 MM	0.070 MM	3.0 MM		
50_OHM_SE	*	N	0.070 MM	0.070 MM	3.0 MM		

PHYSICAL_RULE_SET	LAYER	ALLOW ROUTE ON LAYER?	MINIMUM LINE WIDTH	MINIMUM NECK WIDTH	MAXIMUM NECK LENGTH	DIFFPAIR PRIMARY GAP	DIFFPAIR NECK GAP
BGA	*	Y	0.075 MM	0.075 MM	=STANDARD	0.076 MM	0.075 MM

PHYSICAL_RULE_SET	LAYER	ALLOW ROUTE ON LAYER?	MINIMUM LINE WIDTH	MINIMUM NECK WIDTH	MAXIMUM NECK LENGTH	DIFFPAIR PRIMARY GAP	DIFFPAIR NECK GAP
90_OHM_DIFF	*	Y	=STANDARD	=STANDARD	=STANDARD	=STANDARD	=STANDARD
90_OHM_DIFF	ISL4, ISL7	Y	0.070 MM	0.070 MM		0.200 MM	0.100 MM
90_OHM_DIFF	TOP, BOTTOM	Y	0.070 MM	0.070 MM		0.200 MM	0.200 MM

PHYSICAL_RULE_SET	LAYER	ALLOW ROUTE ON LAYER?	MINIMUM LINE WIDTH	MINIMUM NECK WIDTH	MAXIMUM NECK LENGTH	DIFFPAIR PRIMARY GAP	DIFFPAIR NECK GAP
1:1_DIFFPAIR	*	Y	=STANDARD	=STANDARD	=STANDARD	0.075 MM	0.075 MM
SPEAKER	*	Y	0.3 MM	0.19MM	10 MM	0.075 MM	0.075 MM

SPACING_RULE_SET	LAYER	LINE-TO-LINE SPACING	WEIGHT
DEFAULT	*	0.08 MM	?
STANDARD	*	=DEFAULT	?
BGA	*	=DEFAULT	?

NET_SPACING_TYPE1	NET_SPACING_TYPE2	AREA_TYPE	SPACING_RULE_SET
*	*	BGA	BGA
CLK	*	BGA	BGA
PWR	*	*	PWR_P1SPACING
GND	*	*	GND_P1SPACING
SWITCHNODE	*	*	SWITCHNODE
PWR	*	*	PWR_P1SPACING
ANLG	*	*	3:1_SPACING
CRYSTAL	*	*	3:1_SPACING
JTAG	*	*	2:1_SPACING
I2S_ST	*	*	2:1_SPACING
I2S_ST	I2S_ST	*	1.5:1_SPACING

NET_PHYSICAL_TYPE	AREA_TYPE	PHYSICAL_RULE_SET
*	BGA	BGA

NOTES:

- 0.075 MM ~ 3 MIL
- 0.089 MM ~ 3.5 MIL
- 0.102 MM ~ 4 MIL
- 0.114 MM ~ 4.5 MIL
- 0.125 MM ~ 5 MIL
- 0.140 MM ~ 5.5 MIL
- 0.15 MM ~ 6 MIL
- 0.18 MM ~ 7 MIL
- 0.2 MM ~ 8 MIL
- 0.25 MM ~ 10 MIL
- 0.3 MM ~ 12 MIL
- 0.33 MM ~ 13 MIL
- 0.4 MM ~ 16 MIL
- 1.0 MM = 39.37 MIL

SPACING_RULE_SET	LAYER	LINE-TO-LINE SPACING	WEIGHT
1:1_SPACING	*	0.075 MM	?
1.5:1_SPACING	*	0.114 MM	?
1.8:1_SPACING	*	0.136 MM	?
2:1_SPACING	*	0.152 MM	?
2.5:1_SPACING	*	0.190 MM	?
3:1_SPACING	*	0.228 MM	?
4:1_SPACING	*	0.304 MM	?
0P64MM_SPACING	*	0.64 MM	?
0P5MM_SPACING	*	0.5 MM	?
PWR_P1SPACING	*	0.1 MM	900
GND_P1SPACING	*	0.1 MM	950
SWITCHNODE	*	0.5 MM	1000
SWITCHNODE	TOP, BOTTOM	0.2 MM	1000

SYNC MASTER=MIAMI		SYNC DATE=09/16/2009	
PHYSICAL/SPACING RULES			
Apple Inc.		DRAWING NUMBER	051-8245
		REVISION	B.0.0
NOTICE OF PROPRIETARY PROPERTY:		BRANCH	
THE INFORMATION CONTAINED HEREIN IS THE PROPRIETARY PROPERTY OF APPLE COMPUTER, INC. THE POSSESSOR AGREES TO THE FOLLOWING:		PAGE	106 OF 119
I TO MAINTAIN THIS DOCUMENT IN CONFIDENCE		SHEET	46 OF 53
II NOT TO REPRODUCE OR COPY IT			
III NOT TO REVEAL OR PUBLISH IT IN WHOLE OR PART			
IV ALL RIGHTS RESERVED			



Title: Basenet Report
Design: lost
Date: Feb 19 11:01:06 2008
Base nets and synonyms for lost\_lib.LOST{lost\_lib.lost(sch\_1)}
Base Signal Synonyms Location{[Zone][dir]}
=PPMEM\_S0\_VTT\_SCH =PPMEM\_S0\_VTT\_SCH -> lost\_lib.LOST 1705 2381 2384 23C4 23D6
=PPVCORE\_S0\_CPU =PPVCORE\_S0\_CPU -> lost\_lib.LOST 1704 96C5
=PPMEMV\_S3\_SCH =PPMEMV\_S3\_SCH -> lost\_lib.LOST 1288 17D4
=PPMEMV\_S3\_MEM =PPMEMV\_S3\_MEM -> lost\_lib.LOST 11C1 14A5 14B4 14B8 14D4

PPMEMV\_S3\_OUT -> lost\_lib.LOST 1705 2381 2384 23C4 23D6
=PPMEMV\_S3\_WL -> lost\_lib.LOST 1704 96C5
=PPMEMV\_S3\_SCH -> lost\_lib.LOST 1288 17D4
=PPMEMV\_S3\_MEM -> lost\_lib.LOST 11C1 14A5 14B4 14B8 14D4
=PPMEM\_S0\_VTT\_SCH =PPMEM\_S0\_VTT\_SCH -> lost\_lib.LOST 1408 17D4
=PPVCORE\_S0\_CPU =PPVCORE\_S0\_CPU -> lost\_lib.LOST 1183 17C6
=PPVCORE\_S0\_CPU =PPVCORE\_S0\_CPU -> lost\_lib.LOST 784 17B6
=PPVCORE\_OUT -> lost\_lib.LOST 1708 20C1
=SMB\_CPUZONE\_THRM\_CLK =SMB\_CPUZONE\_THRM\_CLK -> lost\_lib.LOST 3504 43B4

AUD\_LO2\_PORT\_N\_R => lost\_lib.LOST 36C2 37B7
AUD\_LO2\_PORT\_P\_L => lost\_lib.LOST 36C2 37B7 76B7
AUD\_LO2\_PORT\_P\_R => lost\_lib.LOST 36C2 37B7 76B7
AUD\_LO2\_R => lost\_lib.LOST 39A5 39C1
AUD\_LO2\_RET => lost\_lib.LOST 39A5 39C1
AUD\_MIC1\_HI => lost\_lib.LOST 5C6 41C4 42B4

SCH\_CLK\_DREFFSCLKIN\_N -> lost\_lib.LOST 10A5 16A3 105D2
=lost\_lib.LOST
CK505\_SRC11\_P => lost\_lib.LOST 15B4 16A5
SCH\_CLK\_DREFFSCLKIN\_P -> lost\_lib.LOST 10A5 16A3 105D2
=lost\_lib.LOST
CK505\_USB0\_FSA => lost\_lib.LOST 15B6 15C2 105C2
CK505\_XI => lost\_lib.LOST 15C6
CK505\_XO => lost\_lib.LOST 15C6

EXTCONA\_3V3 => lost\_lib.LOST 5B6 50B1 50D4
EXTCONA\_3V3\_DETECT\_L => lost\_lib.LOST 5A6 50A6 50B1
EXTCONA\_CVBS\_PB1 => lost\_lib.LOST 5B6 50B1 50B4 50C1 101A7
EXTCONA\_C\_Y\_1 => lost\_lib.LOST 5B6 50B1 50B4 50C1 101A7
EXTCONA\_DIFF\_SENSE\_C => lost\_lib.LOST 5B6 39C7 50C1 50D4
EXTCONA\_FW\_PWR => lost\_lib.LOST 5B6 50B3 50C3 50C3 50C3 50D6
EXTCONA\_USB\_D\_N => lost\_lib.LOST 5A6 50C1 50D1 103C4
EXTCONA\_USB\_D\_P => lost\_lib.LOST 5A6 50B1 50D1 103D4



8	7	6	5	4	3	2	1
<p>MT_PANEL_IN&lt;11&gt; - @lost_lib.LOST 30A6 30A8 31C5</p> <p>MT_PANEL_IN&lt;12&gt; - @lost_lib.LOST 30A6 30A8 31C5</p> <p>MT_PANEL_IN&lt;13&gt; - @lost_lib.LOST 30A6 30A8 31C5</p> <p>MT_PANEL_IN&lt;14&gt; - @lost_lib.LOST 30A6 30A8 31C5</p> <p>MT_PANEL_IN&lt;15&gt; - @lost_lib.LOST 30A6 30A8 31C5</p> <p>MT_PANEL_IN&lt;16&gt; - @lost_lib.LOST 30A5 30A7 31C5</p> <p>MT_PANEL_IN&lt;17&gt; - @lost_lib.LOST 30A5 30A7 31C5</p> <p>MT_PANEL_IN&lt;18&gt; - @lost_lib.LOST 30A5 30A7 31C5</p> <p>MT_PANEL_IN&lt;19&gt; - @lost_lib.LOST 30A5 30A7 31C5</p> <p>MT_PANEL_IN&lt;20&gt; - @lost_lib.LOST 30A5 30A7 31C5</p> <p>MT_PANEL_IN&lt;21&gt; - @lost_lib.LOST 30A7 30B5 31C5</p> <p>MT_PANEL_IN&lt;22&gt; - @lost_lib.LOST 30A7 30B5 31C5</p> <p>MT_PANEL_IN&lt;23&gt; - @lost_lib.LOST 30A7 30B5 31C5</p> <p>MT_PANEL_IN&lt;24&gt; - @lost_lib.LOST 30A7 30B5 31C5</p> <p>MT_PANEL_IN&lt;25&gt; - @lost_lib.LOST 30A7 30B5 31C5</p> <p>MT_PANEL_IN&lt;26&gt; - @lost_lib.LOST 30A7 30B5 31C5</p> <p>MT_PANEL_IN&lt;27&gt; - @lost_lib.LOST 30A7 30B5 31C5</p> <p>MT_PANEL_IN&lt;28&gt; - @lost_lib.LOST 30A7 30B5 31B5</p> <p>MT_PANEL_IN&lt;29&gt; - @lost_lib.LOST 30A7 30B5 31B5</p> <p>MT_PANEL_OUT&lt;0&gt; - @lost_lib.LOST 30A7 30C7</p> <p>MT_PANEL_OUT&lt;29..0&gt; - @lost_lib.LOST 30A7 30C7</p> <p>MT_PANEL_OUT&lt;1&gt; - @lost_lib.LOST 30B8 30C7</p> <p>MT_PANEL_OUT&lt;2&gt; - @lost_lib.LOST 30B7 30C7</p> <p>MT_PANEL_OUT&lt;3&gt; - @lost_lib.LOST 30B8 30C7</p> <p>MT_PANEL_OUT&lt;4&gt; - @lost_lib.LOST 30B7 30C7</p> <p>MT_PANEL_OUT&lt;5&gt; - @lost_lib.LOST 30B7 30C7</p> <p>MT_PANEL_OUT&lt;6&gt; - @lost_lib.LOST 30B7 30C7</p> <p>MT_PANEL_OUT&lt;7&gt; - @lost_lib.LOST 30B8 30C7</p> <p>MT_PANEL_OUT&lt;8&gt; - @lost_lib.LOST 30B8 30C7</p> <p>MT_PANEL_OUT&lt;9&gt; - @lost_lib.LOST 30B8 30C7</p> <p>MT_PANEL_OUT&lt;10&gt; - @lost_lib.LOST 30B8 30C7</p> <p>MT_PANEL_OUT&lt;11&gt; - @lost_lib.LOST 30B7 30C7</p> <p>MT_PANEL_OUT&lt;12&gt; - @lost_lib.LOST 30B7 30C7</p> <p>MT_PANEL_OUT&lt;13&gt; - @lost_lib.LOST 30B7 30C7</p> <p>MT_PANEL_OUT&lt;14&gt; - @lost_lib.LOST 30B7 30C7</p> <p>MT_PANEL_OUT&lt;15&gt; - @lost_lib.LOST 30A5 30D5</p> <p>MT_PANEL_OUT&lt;16&gt; - @lost_lib.LOST 30A5 30D5</p> <p>MT_PANEL_OUT&lt;17&gt; - @lost_lib.LOST 30A5 30D5</p> <p>MT_PANEL_OUT&lt;18&gt; - @lost_lib.LOST 30A6 30C5</p> <p>MT_PANEL_OUT&lt;19&gt; - @lost_lib.LOST 30A6 30C5</p> <p>MT_PANEL_OUT&lt;20&gt; - @lost_lib.LOST 30A6 30C5</p> <p>MT_PANEL_OUT&lt;21&gt; - @lost_lib.LOST 30A5 30C5</p> <p>MT_PANEL_OUT&lt;22&gt; - @lost_lib.LOST 30A5 30C5</p> <p>MT_PANEL_OUT&lt;23&gt; - @lost_lib.LOST 30A6 30C5</p> <p>MT_PANEL_OUT&lt;24&gt; - @lost_lib.LOST 30A6 30C5</p> <p>MT_PANEL_OUT&lt;25&gt; - @lost_lib.LOST 30A5 30C5</p> <p>MT_PANEL_OUT&lt;26&gt; - @lost_lib.LOST 30A5 30C5</p> <p>MT_PANEL_OUT&lt;27&gt; - @lost_lib.LOST 30A6 30C5</p> <p>MT_PANEL_OUT&lt;28&gt; - @lost_lib.LOST 30A6 30C5</p> <p>MT_PANEL_OUT&lt;29&gt; - @lost_lib.LOST 30A5 30C5</p> <p>MT_PANEL_OUT&lt;30&gt; - @lost_lib.LOST 30A5 30C5</p> <p>MT_PANEL_OUT&lt;31&gt; - @lost_lib.LOST 30A6 30C5</p> <p>MT_PANEL_OUT&lt;32&gt; - @lost_lib.LOST 30A6 30D4</p> <p>MT_PANEL_OUT&lt;33&gt; - @lost_lib.LOST 30A5 30D4</p> <p>MT_PANEL_OUT&lt;34&gt; - @lost_lib.LOST 30A5 30D4</p> <p>MT_PANEL_OUT&lt;35&gt; - @lost_lib.LOST 30A6 30D4</p> <p>MT_PANEL_OUT&lt;36&gt; - @lost_lib.LOST 30A6 30D4</p> <p>MT_PANEL_OUT&lt;37&gt; - @lost_lib.LOST 30A5 30D4</p> <p>MT_PANEL_OUT&lt;38&gt; - @lost_lib.LOST 30A5 30C4</p> <p>MT_PANEL_OUT&lt;39&gt; - @lost_lib.LOST 30A6 30C4</p> <p>NC_ALS_GAIN - @lost_lib.LOST 28A5</p> <p>NC_CS05_PC13 - @lost_lib.LOST 16A5</p> <p>NC_CS05_PC13 - @lost_lib.LOST 15B6 16A3</p> <p>NC_ISENSE_CAL_EN - @lost_lib.LOST 28B7</p> <p>NC_PM_BROW_L - @lost_lib.LOST 28B7</p> <p>NC_PM_LAN_ENABLE - @lost_lib.LOST 28B7</p> <p>NC_PM_S4_STATE_L - @lost_lib.LOST 28C5</p> <p>NC_PM_SLP_S5_L - @lost_lib.LOST 28C5</p> <p>NC_SMB_A_S3_CLK - @lost_lib.LOST 28A5</p> <p>NC_SMB_A_S3_DATA - @lost_lib.LOST 28A5</p> <p>NC_SMB_B_S3_CLK - @lost_lib.LOST 28A5</p> <p>NC_SMB_B_S3_DATA - @lost_lib.LOST 28A5</p> <p>NC_SMB_MGMT_CLK - @lost_lib.LOST 28C5</p> <p>NC_SMB_MGMT_DATA - @lost_lib.LOST 28C7</p> <p>NC_SMC_3_TACH - @lost_lib.LOST 28A7</p> <p>NC_SMC_ADAPTER_EN - @lost_lib.LOST 28D5</p> <p>NC_SMC_ANALOG_ID - @lost_lib.LOST 28A7</p> <p>NC_SMC_BATT_VSET - @lost_lib.LOST 28B5</p> <p>NC_SMC_CASE_OPEN - @lost_lib.LOST 28B5</p> <p>NC_SMC_ODD_DETECT - @lost_lib.LOST 28B7</p> <p>NC_SMC_RSTGATE_L - @lost_lib.LOST 28D7</p> <p>NC_SMC_SER_BT_EN - @lost_lib.LOST 28A5</p> <p>NC_SMC_SMS_INT - @lost_lib.LOST 28A5</p> <p>NC_SMC_SYS_REBLED - @lost_lib.LOST 28B5</p> <p>NC_SMC_SYS_LED - @lost_lib.LOST 28B5</p> <p>NC_SMC_SYS_VSET - @lost_lib.LOST 28B5</p> <p>NC_SMS_X - @lost_lib.LOST 28A7</p> <p>NC_SMS_Y - @lost_lib.LOST 28A7</p> <p>NC_SMS_Z - @lost_lib.LOST 28A7</p> <p>NC_SYS_ONEWIRE - @lost_lib.LOST 28B7</p> <p>NC_USB_DEBUGPRT_EN_L - @lost_lib.LOST 28B7</p> <p>P1V580_EN - @lost_lib.LOST 27B5</p> <p>P3V30_EN - @lost_lib.LOST 27B5</p> <p>P5V0_EN - @lost_lib.LOST 27C5</p> <p>PBUS_AGND - @lost_lib.LOST 19A4 19B4 19B7 19B8 19B8</p> <p>PBUS_AGND - @lost_lib.LOST 19C6 19C8 19D6</p> <p>PBUS_VSENSE_DRAIN - @lost_lib.LOST 35C2</p> <p>PBUS_VSENSE_GATE - @lost_lib.LOST 35C3</p> <p>PCIE_COMP_R - @lost_lib.LOST 9B4</p> <p>PCIE_PET1_N - @lost_lib.LOST 101D1</p> <p>PCIE_PET1_P - @lost_lib.LOST 101D1</p> <p>PCIE_WAKE_L - @lost_lib.LOST 10B5 100C1</p> <p>PCIE_WL_D2R_P - @lost_lib.LOST 101D1</p> <p>PCIE_WL_D2R_P - @lost_lib.LOST 101D1</p> <p>PCIE_WL_R2D_P - @lost_lib.LOST 101D1</p> <p>PCIE_WL_R2D_P - @lost_lib.LOST 101D1</p> <p>PGD_SEQUENCER - @lost_lib.LOST 27A6</p> <p>PM_CLKRUN_L - @lost_lib.LOST 9D6 28C5 100D1</p> <p>PM_DPRSPLVPR - @lost_lib.LOST 9C4 20C4</p> <p>PM_EXTTX - @lost_lib.LOST 9C3 100D1</p> <p>PM_PWRBTN_L - @lost_lib.LOST 10B5 28D8</p> <p>PM_PWRBK - @lost_lib.LOST 9C3 28B8 100C1</p> <p>PM_RSMRST_L - @lost_lib.LOST 9C3 28D8 100C1</p> <p>PM_RSTNDRY_L - @lost_lib.LOST 10C5 28D5</p> <p>PM_RSTWARRN - @lost_lib.LOST 10C5 28D8</p> <p>PM_SLPMODE - @lost_lib.LOST 9C4 28D5 100C1</p> <p>PM_SLPDRDY_L - @lost_lib.LOST 9C4 28A8 100D1</p> <p>PM_SLP_S3_L - @lost_lib.LOST 23C8 27B8 28C5 29B4 35B3</p> <p>PM_STPCPU_L - @lost_lib.LOST 10C5 15B4</p> <p>PM_SUS_STAT_L - @lost_lib.LOST 28C5 29D4</p> <p>PM_SYSRST_L - @lost_lib.LOST 10C5 28B3 28B8 29C3 94B7</p> <p>SMC_LRESST_L - @lost_lib.LOST 28B2 28C8</p>	<p>PM_THRMB_L - @lost_lib.LOST 10B5</p> <p>PM_THRMRTRIP_L - @lost_lib.LOST 5C7 6B6 8A6 29B3 100B3</p> <p>PP1V2_A1010_CODECD - @lost_lib.LOST 76C3</p> <p>PP1V2_A1010_CODECE - @lost_lib.LOST 76D4</p> <p>PP1V2_A1010_DLL - @lost_lib.LOST 76D4</p> <p>PP1V2_A1010_PMU - @lost_lib.LOST 76D4</p> <p>PP1V05_S0_CS0505_F - @lost_lib.LOST 15D6</p> <p>PP1V8_A1010 - @lost_lib.LOST 76A5 76D1</p> <p>PP2V5_DAC_AVDD - @lost_lib.LOST 94D6</p> <p>PP2V5_DAC_AVDD_TVPPLL - @lost_lib.LOST 94D6</p> <p>1 - @lost_lib.LOST</p> <p>PP2V5_DAC_AVDD_TVPPLL - @lost_lib.LOST 94D6</p> <p>2 - @lost_lib.LOST</p> <p>PP2V5_DAC_DVDD - @lost_lib.LOST 94D6</p> <p>PP2V5_S0_REF_FB - @lost_lib.LOST 22C5</p> <p>PP2V7_AUDIO - @lost_lib.LOST 5C6</p> <p>PP3V1_AUD_ANALOG - @lost_lib.LOST 36A3 36D2 36D7 40C3</p> <p>PP3V3_DAC_DVAC - @lost_lib.LOST 94D5</p> <p>PP3V3_DOCKA_ACC - @lost_lib.LOST 50C5 52C5</p> <p>PP3V3_DOCKB_ACC - @lost_lib.LOST 51D5 52B5</p> <p>PP3V3_LCDVDD_SW_F - @lost_lib.LOST 50C6 32C2</p> <p>PP3V3_S0_CS0505_F - @lost_lib.LOST 15D6</p> <p>PP3V3_S0_CPUTHMSNS_R - @lost_lib.LOST 43D5</p> <p>PP3V3_S0_OUT - @lost_lib.LOST 5D6 17C8 27B8 27C4</p> <p>PP3V3_S0_AUD_DIG - @lost_lib.LOST 17B6 36D2 37B7 38D7 76D8</p> <p>PP3V3_S0_GRAPE - @lost_lib.LOST 17B6 30A2</p> <p>PP3V3_S0_VIDEO - @lost_lib.LOST 17B6 75C8</p> <p>PP3V3_S0_ROM - @lost_lib.LOST 17B6 33C5</p> <p>PP3V3_S0_THRM_SNR - @lost_lib.LOST 17B6 35D4</p> <p>PP3V3_S0_SCH_PCIEBG - @lost_lib.LOST 12C1 17B6</p> <p>PP3V3_S0_SCH_VCC33 - @lost_lib.LOST 12A6 17B6</p> <p>PP3V3_S0_LCD - @lost_lib.LOST 17B6 32D5 32D8</p> <p>PP3V3_S0_TVOUT - @lost_lib.LOST 17B6 94D3</p> <p>PP3V3_S0_VSENSE - @lost_lib.LOST 17B6 20D4</p> <p>PP3V3_S0_PDCISENSE - @lost_lib.LOST 17B6 19D2</p> <p>PP3V3_S0_SW - @lost_lib.LOST</p> <p>PP3V3_S0 - @lost_lib.LOST 9B8 9C8 9D3 9D4 9D6 10A3</p> <p>10C1 10C3 10C8 10D1 17B6</p> <p>20B8 21A7 27C3 43C5 90C3</p> <p>17B6 34B2</p> <p>PP3V3_S0_SMS - @lost_lib.LOST 17B6 29C3 29D2 29D2</p> <p>PP3V3_S0_SMC_LS - @lost_lib.LOST 15A8 15A8 15D7 17B6</p> <p>PP3V3_S0_2V5_IN - @lost_lib.LOST 17B6 22D7</p> <p>PP3V3_S0_TSENS - @lost_lib.LOST 17B6 43D6</p> <p>PP3V3_S0_VIDEO - @lost_lib.LOST 17B6 75C8</p> <p>PP3V3_S0_VCORE - @lost_lib.LOST 17B6 20D4</p> <p>PP3V3_S0_TVOUT - @lost_lib.LOST 17B6 94D3</p> <p>PP3V3_S0_TSENS - @lost_lib.LOST 17C6 43D6</p> <p>PP3V3_S0_THRM_SNR - @lost_lib.LOST 17B6 35D4</p> <p>PP3V3_S0_SMS - @lost_lib.LOST 17B6 34B2</p> <p>PP3V3_S0_SMC_LS - @lost_lib.LOST 17B6 29C3 29D2 29D2</p> <p>PP3V3_S0_SCH_VCC33 - @lost_lib.LOST 12A6 17B6</p> <p>PP3V3_S0_SCH_PCIEBG - @lost_lib.LOST 12C1 17B6</p> <p>PP3V3_S0_ROM - @lost_lib.LOST 17B6 33C5</p> <p>PP3V3_S0_PDCISENSE - @lost_lib.LOST 17B6 19D2</p> <p>PP3V3_S0_LCD - @lost_lib.LOST 17B6 32D5 32D8</p> <p>PP3V3_S0_GRAPE - @lost_lib.LOST 17B6 30A2</p> <p>PP3V3_S0_CS0505_F - @lost_lib.LOST 15A8 15A8 15D7 17B6</p> <p>PP3V3_S0_AUD_DIG - @lost_lib.LOST 17B6 36D2 37B7 38D7 76D8</p> <p>PP3V3_S0_2V5_IN - @lost_lib.LOST 17B6 22D7</p> <p>PP3V3_S0 - @lost_lib.LOST 9B8 9C8 9D3 9D4 9D6 10A3</p> <p>10C1 10C3 10C8 10D1 17B6</p> <p>20B8 21A7 27C3 43C5 90C3</p> <p>57C7</p> <p>PP3V3_S3_OUT - @lost_lib.LOST 5B6 17C5 21C2</p> <p>PP3V3_S3_FLASH - @lost_lib.LOST 17C4 67C1 67C4</p> <p>PP3V3_S3_ACC - @lost_lib.LOST 17C4 52C3 52C6 52D6</p> <p>PP3V3_S3_GRAPE - @lost_lib.LOST 17C4 30A2 30D1</p> <p>PP3V3_S3_FCTL - @lost_lib.LOST 17C4 65C5 66B1 66B6 66C1</p> <p>PP3V3_S3_WL - @lost_lib.LOST 17C4 96C2</p> <p>PP3V3_S3_USB_MUX - @lost_lib.LOST 17C4 35B4</p> <p>PP3V3_S3_SCH_USB_PS - @lost_lib.LOST 12B6 17C4</p> <p>PP3V3_S3_SCH - @lost_lib.LOST 12B3 17C4</p> <p>PP3V3_S3_USB_MUX - @lost_lib.LOST 17C4 35B4</p> <p>PP3V3_S3 - @lost_lib.LOST 10C3 10C7 17C4 21B6 23C4</p> <p>23C7 35B6 35C6 35D6 35D6</p> <p>PP3V3_S3_FET - @lost_lib.LOST 17C4 27C6</p> <p>PP3V3_S3_BT - @lost_lib.LOST 17C4 97C6</p> <p>PP3V3_S3_CAMERA - @lost_lib.LOST 17C4 46C6</p> <p>PP3V3_S3_WL - @lost_lib.LOST 17C4 96C2</p> <p>PP3V3_S3_USB_MUX - @lost_lib.LOST 17C4 35B4</p> <p>PP3V3_S3_SCH_USB_PS - @lost_lib.LOST 12B6 17C4</p> <p>PP3V3_S3_SCH - @lost_lib.LOST 12B3 17C4</p> <p>PP3V3_S3_GRAPE - @lost_lib.LOST 17C4 30A2 30D1</p> <p>PP3V3_S3_FLASH - @lost_lib.LOST 17C4 67C1 67C4</p> <p>PP3V3_S3_FCTL - @lost_lib.LOST 17C4 27C6</p> <p>PP3V3_S3_FCTL - @lost_lib.LOST 17C4 65C5 66B1 66B6 66C1</p> <p>PP3V3_S3_CAMERA - @lost_lib.LOST 17C4 46C6</p> <p>PP3V3_S3_BT - @lost_lib.LOST 17C4 97C6</p> <p>PP3V3_S3_ACC - @lost_lib.LOST 17C4 52C3 52C6 52D6</p> <p>PP3V3_S3 - @lost_lib.LOST 10C3 10C7 17C4 21B6 23C4</p> <p>23C7 35B6 35C6 35D6 35D6</p> <p>PP3V3_S5_SMC_AVCC - @lost_lib.LOST 28D3</p> <p>PP3V3_S5_VDD - @lost_lib.LOST 34B4</p> <p>PP3V3_U3001_VDD - @lost_lib.LOST 30C3 30D2</p> <p>PP3V3_U3001_VDD - @lost_lib.LOST 30C3 30D2</p> <p>PP18V_S3_S0_GRAPE - @lost_lib.LOST 30B2 30D6 30D7 30D8</p> <p>PP18V_S3_S0_R_GRAPE - @lost_lib.LOST 30B3</p> <p>PP3V3_S3 - @lost_lib.LOST</p> <p>PPBUS_G3H - @lost_lib.LOST 19C3</p> <p>PPDCIN_G3H - @lost_lib.LOST 18D8 19D8</p> <p>PPDCIN_G3H_FET - @lost_lib.LOST 18D6</p> <p>PPDCIN_G3H_N_SENSE - @lost_lib.LOST 19D8</p> <p>PPDCIN_G3H_P_SENSE - @lost_lib.LOST 19D8</p> <p>PLLED_OUT - @lost_lib.LOST 5C6 17B8 26D3</p> <p>PLLED_VOUT - @lost_lib.LOST 26C5</p> <p>PLLED_REG - @lost_lib.LOST 17B6 32B2</p> <p>PPMEM_S0_VDDQNS - @lost_lib.LOST 23C5</p> <p>PPMEM_S0_VTTSNS - @lost_lib.LOST 23C5</p> <p>PPVIN_S0_P2V580_SVIN - @lost_lib.LOST 22D6</p> <p>PP_3V42_G3H_SWITCHER - @lost_lib.LOST 18A7 24D7 50D8 51C8</p> <p>RSMRST_PWRGD - @lost_lib.LOST 23B4 27B7 28D8</p> <p>RTC_RST_L - @lost_lib.LOST 9C4 100D1</p>	<p>RTC_X1 - @lost_lib.LOST 9C4</p> <p>RTC_X2 - @lost_lib.LOST 9C4</p> <p>SOPWRGD_1V5_DIV - @lost_lib.LOST 27B7</p> <p>SOPWRGD_3V3_DIV - @lost_lib.LOST 27B7</p> <p>SOPWRGD_5V_DIV - @lost_lib.LOST 27B7</p> <p>SOSEQ_BEGIN - @lost_lib.LOST 27B7</p> <p>SO_1V05_EN - @lost_lib.LOST 21A5</p> <p>SO_1V05_HL1 - @lost_lib.LOST 21A5</p> <p>SO_1V05_FB - @lost_lib.LOST 21A4</p> <p>SO_1V05_GND - @lost_lib.LOST 21A4</p> <p>SO_1V05_PGD - @lost_lib.LOST 21A5</p> <p>SO_1V05_SW - @lost_lib.LOST 21A4</p> <p>SO_1V05_SYNCN - @lost_lib.LOST 21A5</p> <p>SO_2V5_PGD - @lost_lib.LOST 22C5</p> <p>SO_2V5_SW - @lost_lib.LOST 22C5</p> <p>SO_PGD_1V05_EN - @lost_lib.LOST 21A7 27B4</p> <p>S3_1V5_EN - @lost_lib.LOST 23B6</p> <p>S3_3V3_BG1 - @lost_lib.LOST 21C5</p> <p>S3_3V3_BG2 - @lost_lib.LOST 21C5</p> <p>S3_3V3_BOOST1 - @lost_lib.LOST 21D5</p> <p>S3_3V3_BOOST2 - @lost_lib.LOST 21D5</p> <p>S3_3V3_CCM - @lost_lib.LOST 21C6</p> <p>S3_3V3_COMP - @lost_lib.LOST 21C7</p> <p>S3_3V3_FB - @lost_lib.LOST 21C6</p> <p>S3_3V3_GND - @lost_lib.LOST 21B7</p> <p>S3_3V3_ILSET - @lost_lib.LOST 21C6</p> <p>S3_3V3_MODE - @lost_lib.LOST 21C6</p> <p>S3_3V3_PHASE1 - @lost_lib.LOST 21B5</p> <p>S3_3V3_PHASE2 - @lost_lib.LOST 21B5</p> <p>S3_3V3_RT - @lost_lib.LOST 21C6</p> <p>S3_3V3_RUNSS - @lost_lib.LOST 21C6</p> <p>S3_3V3_RUNSS_L - @lost_lib.LOST 21C8</p> <p>S3_3V3_TG1 - @lost_lib.LOST 21C5</p> <p>S3_3V3_TG2 - @lost_lib.LOST 21C5</p> <p>S3_3V3_VC - @lost_lib.LOST 21C6</p> <p>S3_3V3_VCC - @lost_lib.LOST 21D6</p> <p>S3_3V3_VSENSE - @lost_lib.LOST 21C6</p> <p>S3_5V_GND - @lost_lib.LOST 22A5</p> <p>S3_5V_SW - @lost_lib.LOST 22B5</p> <p>SCH_5V_S0_5REF - @lost_lib.LOST 12B3</p> <p>SCH_5V_S3_REFSUS - @lost_lib.LOST 12B3</p> <p>SCH_BSEL2 - @lost_lib.LOST 8A4 15B2 100B3 100C1</p> <p>SCH_BUS_SWING - @lost_lib.LOST 100C1</p> <p>SCH_CFG0 - @lost_lib.LOST 9A2 9C4 100C1</p> <p>SCH_CFG1 - @lost_lib.LOST 9A2 9C4 100C1</p> <p>SCH_CLK143M_TIMER - @lost_lib.LOST 10A5 15B7 105C2</p> <p>SCH_CLK48M_USBTCTLR - @lost_lib.LOST 10A5 15B7 105C2</p> <p>SCH_CLK_OE_L - @lost_lib.LOST 100C1</p> <p>SCH_CMOSREF - @lost_lib.LOST 100C1</p> <p>SCH_DDR2_VREF - @lost_lib.LOST 11B2</p> <p>SCH_GTLREF - @lost_lib.LOST 100C1</p> <p>SCH_INTVRMEN - @lost_lib.LOST 9C4 100D1</p> <p>SCH_PROCHOT_L - @lost_lib.LOST 10B4 28D5 29C2</p> <p>SCH_ROMPO - @lost_lib.LOST 100C1</p> <p>SCH_RESERVED_9_10 - @lost_lib.LOST 12C2</p> <p>SCH_RESERVED_11_12_13 - @lost_lib.LOST 12C2</p> <p>SCH_S0_CLK - @lost_lib.LOST 9C6 101C1</p> <p>SCH_S0_CMD - @lost_lib.LOST 9C6 101C1</p> <p>SCH_S0_DATA&lt;0&gt; - @lost_lib.LOST 9B6</p> <p>SCH_S0_DATA&lt;7..0&gt; - @lost_lib.LOST 101C1</p> <p>SCH_S0_DATA&lt;1&gt; - @lost_lib.LOST 9B6</p> <p>SCH_S0_DATA&lt;2&gt; - @lost_lib.LOST 9B6</p> <p>SCH_S0_DATA&lt;3&gt; - @lost_lib.LOST 9B6</p> <p>SCH_S01_CMD - @lost_lib.LOST 101B1</p> <p>SCH_S01_CMD - @lost_lib.LOST 101B1</p> <p>SCH_S012_CD_CMD - @lost_lib.LOST 9B6</p> <p>SCH_TESTIN_L - @lost_lib.LOST 100C1</p> <p>SCH_USB_OC_L - @lost_lib.LOST 10C7</p> <p>SCH_VCCSUBBYP - @lost_lib.LOST 9D4</p> <p>SCH_VCCSUBBYP - @lost_lib.LOST 9D4</p> <p>SDO_CLK - @lost_lib.LOST 9C8 96C3 101C1 103B1</p> <p>SDO_CMD - @lost_lib.LOST 9C8 96C3 101B1 103B1</p> <p>SDO_DATA&lt;0&gt; - @lost_lib.LOST 9B7 96C3</p> <p>SDO_DATA&lt;7..0&gt; - @lost_lib.LOST 101B1 103B1</p> <p>SDO_DATA&lt;1&gt; - @lost_lib.LOST 9B7 96C3</p> <p>SDO_DATA&lt;2&gt; - @lost_lib.LOST 9B7 96C3</p> <p>SDO_DATA&lt;3&gt; - @lost_lib.LOST 9B7 96C3</p> <p>SDVOB_B_N - @lost_lib.LOST 9B4 94C8 101C4</p> <p>SDVOB_B_P - @lost_lib.LOST 9B4 94C8 101C4</p> <p>SDVOB_CLK_N - @lost_lib.LOST 9C4 94C8 101C4</p> <p>SDVOB_CLK_P - @lost_lib.LOST 9C4 94C8 101C4</p> <p>SDVOB_G_N - @lost_lib.LOST 9B4 94C8 101C4</p> <p>SDVOB_G_P - @lost_lib.LOST 9B4 94C8 101C4</p> <p>SDVOB_INT_N - @lost_lib.LOST 9C4 94A6</p> <p>SDVOB_INT_P - @lost_lib.LOST 9C4 94A6</p> <p>SDVOB_R_N - @lost_lib.LOST 9B4 94B8 101C4</p> <p>SDVOB_R_P - @lost_lib.LOST 9B4 94B8 101C4</p> <p>SDVOB_STALL_N - @lost_lib.LOST 9C4 94A6</p> <p>SDVOB_STALL_P - @lost_lib.LOST 9C4 94A6</p> <p>SDVO_STALL_P - @lost_lib.LOST 94A5 101B4</p> <p>SDVO_STALL_P - @lost_lib.LOST 9C4 94A6</p> <p>SDVO_STALL_P - @lost_lib.LOST 94A5 101B4</p> <p>SDVO_CTRLCLK - @lost_lib.LOST 9A8 9C4</p> <p>SDVO_TVDD_CTRLCLK - @lost_lib.LOST 9A6 94B7 101A4</p> <p>SDVO_CTRLDATA - @lost_lib.LOST 9A8 9C4</p> <p>SDVO_TVDD_CTRLDATA - @lost_lib.LOST 9A6 94B7 101A4</p> <p>SDVO_DAC_BLUE_N - @lost_lib.LOST 94C7 101B4</p> <p>SDVO_DAC_BLUE_P - @lost_lib.LOST 94C7 101B4</p> <p>SDVO_DAC_CLK_N - @lost_lib.LOST 94C7 101C4</p> <p>SDVO_DAC_CLK_P - @lost_lib.LOST 94C7 101C4</p> <p>SDVO_DAC_GREEN_N - @lost_lib.LOST 94B7 101B4</p> <p>SDVO_DAC_GREEN_P - @lost_lib.LOST 94C7 101B4</p> <p>SDVO_DAC_RED_N - @lost_lib.LOST 94B7 101B4</p> <p>SDVO_DAC_RED_P - @lost_lib.LOST 94B7 101C4</p> <p>SENSE_N - @lost_lib.LOST 19C6</p> <p>SENSE_P - @lost_lib.LOST 19C6</p> <p>SENSE_P_R - @lost_lib.LOST 19B4</p> <p>SIL_HDASDO_SPDIF - @lost_lib.LOST 103C1</p> <p>SLPIOVR_L - @lost_lib.LOST 10B4 27C3 90B7</p> <p>SLPIOVR_R_L - @lost_lib.LOST 90B6</p> <p>SLPIOV_G - @lost_lib.LOST 27C3</p> <p>SMB_ALERT_L - @lost_lib.LOST 10A5 100C1</p> <p>SMB_BSA_CLK - @lost_lib.LOST 28A5 29C6</p> <p>SMB_BSA_DATA - @lost_lib.LOST 28A5 29C6</p> <p>SMB_BSA_DATA - @lost_lib.LOST 28A5 29C6</p> <p>SMB_B3_CLK - @lost_lib.LOST 103B1</p> <p>SMB_B3_DATA - @lost_lib.LOST 103B1</p> <p>SMB_CLK - @lost_lib.LOST 10A3 15B6 42A2 42A5 90B6</p> <p>AUD_12C_CLK_HS1 - @lost_lib.LOST 42B5</p> <p>AUD_12C_CLK_HS2 - @lost_lib.LOST 42B5</p> <p>AUD_12C_DATA_HS1 - @lost_lib.LOST 42B5</p> <p>AUD_12C_DATA_HS2 - @lost_lib.LOST 42B5</p>	<p>SMC_ACCA_DET_L - @lost_lib.LOST 28A8 50A8 52C7</p> <p>SMC_ACCA_SW_EN - @lost_lib.LOST 28D8 52C7</p> <p>SMC_ACCB_DET_L - @lost_lib.LOST 28A8 51A8 52B7</p> <p>SMC_ACCB_SW_EN - @lost_lib.LOST 28C8 52B7</p> <p>SMC_ACIN_VSENSE - @lost_lib.LOST 19A8 28D5</p> <p>SMC_AC_PRESENT - @lost_lib.LOST 24B1 28A5</p> <p>SMC_AC_PRESENT_RC - @lost_lib.LOST 24B1 28A5</p> <p>SMC_BATTPACK_STAT - @lost_lib.LOST 18D5 29B1</p> <p>SMC_BATT_CHG_EN - @lost_lib.LOST 19A2 28C8</p> <p>SMC_BATT_ISENSE - @lost_lib.LOST 19C3 28C5</p> <p>SMC_BATT_ISET - @lost_lib.LOST 19A4 28B5</p> <p>SMC_BATT_TRICKLE_EN - @lost_lib.LOST 19A2</p> <p>SMC_BATT_TRICKLE_EN - @lost_lib.LOST</p> <p>SMC_BATT_TRICKLE_EN_I - @lost_lib.LOST 19A3 28D8</p> <p>SMC_BC_ACOF - @lost_lib.LOST 28C5 29C1</p> <p>SMC_BRK_LAND - @lost_lib.LOST 28B5 35C6 35D6</p> <p>SMC_BRK_NEG_DET - @lost_lib.LOST 28B5 35B8 35D8</p> <p>SMC_BRK_PORT - @lost_lib.LOST 28B5 35B6 35C6</p> <p>SMC_BRK_POS_DET - @lost_lib.LOST 28B5 35C8 35D8</p> <p>SMC_BS_ALRT_L - @lost_lib.LOST 28C5 29B2 29C6</p> <p>SMC_CPU_PWRGD - @lost_lib.LOST 20C4 28D8</p> <p>SMC_DCIN_ISENSE - @lost_lib.LOST 28B4 28D5</p> <p>DCIN_ISENSE_VOUT - @lost_lib.LOST 19D7 28B2</p> <p>SMC_DOCKA_ACC_RID - @lost_lib.LOST 28A8 50C8</p> <p>SMC_DOCKB_ACC_RID - @lost_lib.LOST 28A8 51C8</p> <p>SMC_EXTAL - @lost_lib.LOST 28C3 29C7</p> <p>SMC_EXTSMI_L - @lost_lib.LOST 10A5</p> <p>SMC_FAN_0_TACH - @lost_lib.LOST 28A8 28B3</p> <p>SMC_RX_DOCKA_L - @lost_lib.LOST 28B2 28C8 29D6 50B8</p> <p>SMC_FAN_2_TACH - @lost_lib.LOST 28A8 28B3</p> <p>SMC_RX_L - @lost_lib.LOST 28C2 28C5 29A6 29D6 51B8</p> <p>SMC_SCIF_RX_L - @lost_lib.LOST 28B2 28A7</p> <p>SMC_RX_L - @lost_lib.LOST 28B2 28C5 29A6 29D6 51B8</p> <p>SMC_KBC_MDE - @lost_lib.LOST 28C2</p> <p>SMC_LINDA_EN_L - @lost_lib.LOST 28A5 52C3</p> <p>SMC_MAN_RST_L - @lost_lib.LOST 29D8</p> <p>SMC_MD1 - @lost_lib.LOST 28C1</p> <p>SMC_NMI - @lost_lib.LOST 28C1</p> <p>SMC_ONOFF_L - @lost_lib.LOST 5A6 28C5 29D6 29D8 54C3</p> <p>SMC_PBUS_ISENSE - @lost_lib.LOST 19D1 28C5</p> <p>SMC_PBUS_VSENSE - @lost_lib.LOST 28C5 35B1</p> <p>SMC_PM_G2_EN - @lost_lib.LOST 21B8 22A7 23B8 28D5 29B4</p> <p>SMC_PROCHOT - @lost_lib.LOST 28A5 29A4</p> <p>SMC_PROCHOT_3_3_L - @lost_lib.LOST 28D5 29D1</p> <p>SMC_PROCHOT_FET_B - @lost_lib.LOST 28C3 29D6</p> <p>SMC_RST_L - @lost_lib.LOST 28C3 29D6</p> <p>SMC_RUNTIME_SCI_L - @lost_lib.LOST 10B4 28B8</p> <p>SMC_SCIF_TX_L - @lost_lib.LOST 28C8 29A7</p> <p>SMC_TX_L - @lost_lib.LOST 28C5 29A6 29D6 51C5</p> <p>SMC_SPI_CLK - @lost_lib.LOST 28A8 33C8</p> <p>SMC_SPI_EN - @lost_lib.LOST 28C8 29C4</p> <p>AUD_VOL_UP_L - @lost_lib.LOST 5A6 10B4 10D3 29C2 54C3</p> <p>SMC_SPI_MDI - @lost_lib.LOST 28B8 33C2</p> <p>SMC_SPI_MDO - @lost_lib.LOST 28B8 33C8</p> <p>SMC_SPI_SLCT_L - @lost_lib.LOST 28A8 33C8</p> <p>SMC_SYS_ISET - @lost_lib.LOST 19B8 28B5</p> <p>SMC_TCK - @lost_lib.LOST 28B5 29C6</p> <p>SMC_TDI - @lost_lib.LOST 28B5 29C6</p> <p>SMC_TDO - @lost_lib.LOST 28B5 29C6</p> <p>SMC_THRMRTRIP - @lost_lib.LOST 28A5 29A5</p> <p>SMC_TMS - @lost_lib.LOST 28B5 29C6</p> <p>SMC_TRST_L - @lost_lib.LOST 28C1</p> <p>SMC_TX_DOCKA_L - @lost_lib.LOST 28C8 29D6 50D5</p> <p>SMC_USB_MUX_OE_L - @lost_lib.LOST 28B8 35A3</p> <p>SMC_USB_MUX_SEL - @lost_lib.LOST 28C5 35A3</p> <p>SMC_VCL - @lost_lib.LOST 28D2</p> <p>SMC_WAKE_SCI_L - @lost_lib.LOST 10B5 28C5</p> <p>SMC_XTAL - @lost_lib.LOST 28C3 29C7</p> <p>SMS_INT1 - @lost_lib.LOST 34B5</p> <p>SMS_INT2 - @lost_lib.LOST 34B5</p> <p>SM_ROMPO - @lost_lib.LOST 11B4</p> <p>SM_RCVENIN_OUT - @lost_lib.LOST 11B4</p> <p>SPI_HOLD_L</p>				

	8	7	6	5	4	3	2	1
	TP_LVDS_DATAP3	TP_LVDS_DATAP3 - @lost_lib.LOST	9C6					
	TP_LVDS_VSYNC_OUT	TP_LVDS_VSYNC_OUT - @lost_lib.LOST	5D6 32C2					
	TP_PCIE_PER1_N	TP_PCIE_PER1_N - @lost_lib.LOST	9B4					
	TP_PCIE_PER1_P	TP_PCIE_PER1_P - @lost_lib.LOST	9B4					
	TP_PCIE_PER2_N	TP_PCIE_PER2_N - @lost_lib.LOST	9B4					
	TP_PCIE_PER2_P	TP_PCIE_PER2_P - @lost_lib.LOST	9B4					
	TP_PCIE_PET1_N	TP_PCIE_PET1_N - @lost_lib.LOST	9B4					
	TP_PCIE_PET1_P	TP_PCIE_PET1_P - @lost_lib.LOST	9B4					
	TP_PCIE_PET2_N	TP_PCIE_PET2_N - @lost_lib.LOST	9B4					
	TP_PCIE_PET2_P	TP_PCIE_PET2_P - @lost_lib.LOST	9B4					
	TP_SCART_CVBS	TP_SCART_CVBS - @lost_lib.LOST	94C5					
	TP_SCART_VGA_B	TP_SCART_VGA_B - @lost_lib.LOST	94C5					
	TP_SCART_VGA_G	TP_SCART_VGA_G - @lost_lib.LOST	94C5					
	TP_SCART_VGA_R	TP_SCART_VGA_R - @lost_lib.LOST	94C5					
	TP_SCH_CLK_LPC_1	TP_SCH_CLK_LPC_1 - @lost_lib.LOST	9D6					
	TP_SCH_CLK_LPC_2	TP_SCH_CLK_LPC_2 - @lost_lib.LOST	9D6					
	TP_SCH_GPIOSUB0	TP_SCH_GPIOSUB0 - @lost_lib.LOST	10C5					
	TP_SCH_GPIO_9	TP_SCH_GPIO_9 - @lost_lib.LOST	10B5					
	TP_SCH_PILMON1	TP_SCH_PILMON1 - @lost_lib.LOST	8A6					
	TP_SCH_PILMON1_L	TP_SCH_PILMON1_L - @lost_lib.LOST	8A6					
	TP_SCH_RESVRD0	TP_SCH_RESVRD0 - @lost_lib.LOST	9D4					
	TP_SCH_RESVRD8	TP_SCH_RESVRD8 - @lost_lib.LOST	9D4					
	TP_SCH_SD0_DATA6	TP_SCH_SD0_DATA6 - @lost_lib.LOST	9B6					
	TP_SCH_SD1_CLK	TP_SCH_SD1_CLK - @lost_lib.LOST	9B6					
	TP_SCH_SD2_CLK	TP_SCH_SD2_CLK - @lost_lib.LOST	9B6					
	TP_U0600_G28	TP_U0600_G28 - @lost_lib.LOST	6B5					
	TP_U0600_R27	TP_U0600_R27 - @lost_lib.LOST	6B7					
	TP_U0600_U30	TP_U0600_U30 - @lost_lib.LOST	6B5					
	TP_U0600_V27	TP_U0600_V27 - @lost_lib.LOST	6B5					
	TP_U3101_TCK	TP_U3101_TCK - @lost_lib.LOST	31C6					
	TP_U3101_TDI	TP_U3101_TDI - @lost_lib.LOST	31C6					
	TP_U3101_TDO	TP_U3101_TDO - @lost_lib.LOST	31C6					
	TP_U3101_TMS	TP_U3101_TMS - @lost_lib.LOST	31C6					
	TP_USB_D_N	TP_USB_D_N - @lost_lib.LOST	10D7 103B4					
	TP_USB_D_P	TP_USB_D_P - @lost_lib.LOST	10D7 103B4					
	TP_USB_G_N	TP_USB_G_N - @lost_lib.LOST	10D7 103B4					
	TP_USB_G_P	TP_USB_G_P - @lost_lib.LOST	10D7 103B4					
	TP_USB_H_N	TP_USB_H_N - @lost_lib.LOST	10D7 103B4					
	TP_USB_H_P	TP_USB_H_P - @lost_lib.LOST	10D7 103B4					
	TP_WL_TCK	TP_WL_TCK - @lost_lib.LOST	96B3					
	TP_WL_TDI	TP_WL_TDI - @lost_lib.LOST	96B3					
	TP_WL_TDO	TP_WL_TDO - @lost_lib.LOST	96B3					
	TP_WL_TMS	TP_WL_TMS - @lost_lib.LOST	96B3					
	TP_WL_TRST_L	TP_WL_TRST_L - @lost_lib.LOST	96B3					
	TVCLK_N	TVCLK_N - @lost_lib.LOST	94B7 101B4					
	TVCLK_P	TVCLK_P - @lost_lib.LOST	94B7 101B4					
	TVOUT_DOCKS_EN	TVOUT_DOCKS_EN - @lost_lib.LOST	10B4 10C2 75B8					
	U6700_R1	U6700_R1 - @lost_lib.LOST	67B6					
	U6700_R2	U6700_R2 - @lost_lib.LOST	67B6					
	U6700_R3	U6700_R3 - @lost_lib.LOST	67B6					
	U6700_R4	U6700_R4 - @lost_lib.LOST	67B6					
	U6710_R1	U6710_R1 - @lost_lib.LOST	67B3					
	U6710_R2	U6710_R2 - @lost_lib.LOST	67B3					
	U6710_R3	U6710_R3 - @lost_lib.LOST	67B3					
	U6710_R4	U6710_R4 - @lost_lib.LOST	67B3					
	USBA_EXT_N	USBA_EXT_N - @lost_lib.LOST	35D6					
	USBA_EXT_P	USBA_EXT_P - @lost_lib.LOST	35D6					
	USBA_GATE	USBA_GATE - @lost_lib.LOST	18D3					
	USBA_GATE_D	USBA_GATE_D - @lost_lib.LOST	18C3					
	USBA_PWR_DETECT_L	USBA_PWR_DETECT_L - @lost_lib.LOST	18D2 28B8					
	USBA_PWR_SLCT	USBA_PWR_SLCT - @lost_lib.LOST	18C2 28C8					
	USBB_EXT_N	USBB_EXT_N - @lost_lib.LOST	35B6					
	USBB_EXT_P	USBB_EXT_P - @lost_lib.LOST	35C6					
	USBB_GATE	USBB_GATE - @lost_lib.LOST	18C5					
	USBB_GATE_D	USBB_GATE_D - @lost_lib.LOST	18C4					
	USBB_PWR_DETECT_L	USBB_PWR_DETECT_L - @lost_lib.LOST	18C3 28B8					
	USBB_PWR_SLCT	USBB_PWR_SLCT - @lost_lib.LOST	18C4 28C8					
	USBC	USBC - @lost_lib.LOST	10B5 28B5					
	USB_BT_N	USB_BT_N - @lost_lib.LOST	10D7 97C5 103C4					
	USB_BT_P	USB_BT_P - @lost_lib.LOST	10D7 97C5 103C4					
	USB_CAMERA_CONN_N	USB_CAMERA_CONN_N - @lost_lib.LOST	5B6 46C6 103D4					
	USB_CAMERA_CONN_P	USB_CAMERA_CONN_P - @lost_lib.LOST	5B6 46C6 103D4					
	USB_CAMERA_N	USB_CAMERA_N - @lost_lib.LOST	10D7 46C6 103D4					
	USB_CAMERA_P	USB_CAMERA_P - @lost_lib.LOST	10D7 46C6 103D4					
	USB_C_N	USB_C_N - @lost_lib.LOST	10D7 35A4 103D4					
	USB_C_P	USB_C_P - @lost_lib.LOST	10D7 35A4 103D4					
	USB_DOCKS_MUX_N	USB_DOCKS_MUX_N - @lost_lib.LOST	10D7					
	USB_DOCKS_MUX_P	USB_DOCKS_MUX_P - @lost_lib.LOST	10D7					
	USB_FLASH_CON_N	USB_FLASH_CON_N - @lost_lib.LOST	65B5 103D4					
	USB_FLASH_CON_P	USB_FLASH_CON_P - @lost_lib.LOST	65C5 103D4					
	USB_FLASH_N	USB_FLASH_N - @lost_lib.LOST	10D7 65B6 103D4					
	USB_FLASH_P	USB_FLASH_P - @lost_lib.LOST	10D7 65C6 103D4					
	USB_GRAPE_N	USB_GRAPE_N - @lost_lib.LOST	10D7 30D4 103C4					
	USB_GRAPE_P	USB_GRAPE_P - @lost_lib.LOST	10D7 30D4 103C4					
	USB_LAND_DOCK_N	USB_LAND_DOCK_N - @lost_lib.LOST	35A3 35D5 50D3 103D4					
	USB_LAND_DOCK_P	USB_LAND_DOCK_P - @lost_lib.LOST	35A3 35D5 50D3 103D4					
	USB_PORT_DOCK_N	USB_PORT_DOCK_N - @lost_lib.LOST	35A3 35C5 51D3 103D4					
	USB_PORT_DOCK_P	USB_PORT_DOCK_P - @lost_lib.LOST	35A3 35C5 51D3 103D4					
	USB_PSOC_N	USB_PSOC_N - @lost_lib.LOST	30D3					
	USB_PSOC_P	USB_PSOC_P - @lost_lib.LOST	30D3					
	USB_PWR_A	USB_PWR_A - @lost_lib.LOST	18D2 50D7					
	USB_PWR_B	USB_PWR_B - @lost_lib.LOST	18C3 51D7					
	USB_RBIA_PN	USB_RBIA_PN - @lost_lib.LOST	10C7					
	VCORE_BG	VCORE_BG - @lost_lib.LOST	20C5					
	VCORE_BOOST	VCORE_BOOST - @lost_lib.LOST	20C5					
	VCORE_BOOST_RCD	VCORE_BOOST_RCD - @lost_lib.LOST	20D4					
	VCORE_CLSET	VCORE_CLSET - @lost_lib.LOST	20C6					
	VCORE_CS	VCORE_CS - @lost_lib.LOST	20B2					
	VCORE_CSN	VCORE_CSN - @lost_lib.LOST	20C6					
	VCORE_CSP	VCORE_CSP - @lost_lib.LOST	20C6					
	VCORE_CSP_R	VCORE_CSP_R - @lost_lib.LOST	20B3					
	VCORE_DAC	VCORE_DAC - @lost_lib.LOST	20C6					
	VCORE_DRN	VCORE_DRN - @lost_lib.LOST	20C5					
	VCORE_ERRROUT	VCORE_ERRROUT - @lost_lib.LOST	20C5					
	VCORE_FBN	VCORE_FBN - @lost_lib.LOST	20C6					
	VCORE_FBP	VCORE_FBP - @lost_lib.LOST	20C6					
	VCORE_GND	VCORE_GND - @lost_lib.LOST	20A4 20B6 20C8					
	VCORE_HYS	VCORE_HYS - @lost_lib.LOST	20C6					
	VCORE_RAMP	VCORE_RAMP - @lost_lib.LOST	20B5					
	VCORE_SS	VCORE_SS - @lost_lib.LOST	20C6					
	VCORE_TG	VCORE_TG - @lost_lib.LOST	20C5					
	VCORE_TTRIP	VCORE_TTRIP - @lost_lib.LOST	20C6					
	VCORE_VCCA	VCORE_VCCA - @lost_lib.LOST	20D6					
	VCORE_VREF	VCORE_VREF - @lost_lib.LOST	20C4 20C8					
	VR_FWRD0_CLKEN_L	VR_FWRD0_CLKEN_L - @lost_lib.LOST	20A7 20C4					
	VSSAPCIEBG	VSSAPCIEBG - @lost_lib.LOST	12B2					
	WL_HOST_WAKE	WL_HOST_WAKE - @lost_lib.LOST	28A8 96B3					
	WL_RESET_L	WL_RESET_L - @lost_lib.LOST	28D5 96B3					
	WL_WAKE_L	WL_WAKE_L - @lost_lib.LOST	29B4					
	XDP_BPM_L<0>	XDP_BPM_L<0> - @lost_lib.LOST	6C5 90C6					
	XDP_BPM_L<4..0>	XDP_BPM_L<4..0> - @lost_lib.LOST	100A3					
	XDP_BPM_L<1>	XDP_BPM_L<1> - @lost_lib.LOST	6C5 90C6					
	XDP_BPM_L<2>	XDP_BPM_L<2> - @lost_lib.LOST	6C5 90C6					
	XDP_BPM_L<3>	XDP_BPM_L<3> - @lost_lib.LOST	6C5 90C6					
	XDP_BPM_L<4>	XDP_BPM_L<4> - @lost_lib.LOST	6C5 90C6					
	XDP_BPM_L<5>	XDP_BPM_L<5> - @lost_lib.LOST	6C5 6C5 90C6 100A3					
	XDP_CPURST_L	XDP_CPURST_L - @lost_lib.LOST	90B3					
	XDP_DBRESET_L	XDP_DBRESET_L - @lost_lib.LOST	6C5 28A5 90B3 100A3					
	XDP_PWRGD	XDP_PWRGD - @lost_lib.LOST	90C6					
	XDP_SCH_TCK<1>	XDP_SCH_TCK<1> - @lost_lib.LOST	10C5 90B6 100C1					
	XDP_SCH_TDI	XDP_SCH_TDI - @lost_lib.LOST	10C5 90A5 100C1					
	XDP_SCH_TDO	XDP_SCH_TDO - @lost_lib.LOST	10C5 90A4 90B3 100C1					
	XDP_SCH_TMS	XDP_SCH_TMS - @lost_lib.LOST	10C5 90A4 100C1					
	XDP_TMS	XDP_TMS - @lost_lib.LOST	6A8 6C5 90A5 90B3 100B3					
	XDP_SCL	XDP_SCL - @lost_lib.LOST	90B5					
	XDP_SDA	XDP_SDA - @lost_lib.LOST	90B5					
	XDP_TCK	XDP_TCK - @lost_lib.LOST	6A8 6C5 90B6 100A3					
	XDP_TDI	XDP_TDI - @lost_lib.LOST	6A8 6C5 90A4 90B3 100B3					
	XDP_TDO	XDP_TDO - @lost_lib.LOST	6A8 6C5 90A5 100B3					
	XDP_TRST_L	XDP_TRST_L - @lost_lib.LOST	6C5 10C5 90B3 100A3					
	XTAL_FLASH_IN	XTAL_FLASH_IN - @lost_lib.LOST	66C6					
	XTAL_FLASH_OUT	XTAL_FLASH_OUT - @lost_lib.LOST	66C6					
	Y9400_2	Y9400_2 - @lost_lib.LOST	94A7					
	Y_PR	Y_PR - @lost_lib.LOST	75B8 94B3 101B7					
	Z1_V18_OUT	Z1_V18_OUT - @lost_lib.LOST	31D4 31D5					
	Z1_BON_L<0>	Z1_BON_L<0> - @lost_lib.LOST	30C8 31C3					
	Z1_BON_L<1>	Z1_BON_L<1> - @lost_lib.LOST	30C8 31C3					
	Z1_BON_L<2>	Z1_BON_L<2> - @lost_lib.LOST	30C7 31C3					
	Z1_BON_L<3>	Z1_BON_L<3> - @lost_lib.LOST	30C7 31C3					
	Z1_BON_L<4>	Z1_BON_L<4> - @lost_lib.LOST	30D6 31C3					
	Z1_BON_L<5>	Z1_BON_L<5> - @lost_lib.LOST	30D6 31C3					
	Z1_B_ADDR<0>	Z1_B_ADDR<0> - @lost_lib.LOST	30C8 30D6 30D7 31C3					
	Z1_B_ADDR<1>	Z1_B_ADDR<1> - @lost_lib.LOST	30C8 30D6 30D7 31C3					
	Z1_B_ADDR<2>	Z1_B_ADDR<2> - @lost_lib.LOST	30C8 30D6 30D7 31C3					
	Z1_CS_L	Z1_CS_L - @lost_lib.LOST						

8			7			6			5			4			3			2			1		
Title: Cref Part Report																							
Design: lost																							
Date: Feb 19 11:01:06 2008																							
C0500	CAP_1210	lost[501]	C1800	CAP_0805	lost[18C7]	C2704	CAP_402	lost[27B6]	C4224	CAP_201	lost[42A7]												
C0501	CAP_1210	lost[501]	C1801	CAP_402	lost[18B5]	C2705	CAP_402	lost[27B6]	C4225	CAP_201	lost[42B6]												
C0502	CAP_1210	lost[501]	C1802	CAP_402	lost[18C5]	C2706	CAP_402	lost[27C2]	C4300	CAP_402	lost[43C5]												
C0503	CAP_1210	lost[501]	C1803	CAP_402	lost[18D4]	C2707	CAP_201	lost[27B5]	C4301	CAP_402	lost[43D4]												
C0504	CAP_1210	lost[501]	C1910	CAP_805	lost[19D7]	C2750	CAP_402	lost[27B7]	C5000	CAP_201	lost[50C7]												
C0505	CAP_1210	lost[501]	C1929	CAP_0805	lost[19D8]	C2757	CAP_201	lost[27A6]	C5084	CAP_402	lost[50D7]												
C0506	CAP_1210	lost[501]	C1930	CAP_0805	lost[19D8]	C2758	CAP_201	lost[27A6]	C5086	CAP_402	lost[50D8]												
C0507	CAP_1210	lost[501]	C1931	CAP_201	lost[19B7]	C2759	CAP_201	lost[27A5]	C5090	CAP_201	lost[50E6]												
C0508	CAP_1210	lost[501]	C1932	CAP_201	lost[19B8]	C2760	CAP_201	lost[27A5]	C5100	CAP_201	lost[51C7]												
C0509	CAP_1210	lost[501]	C1933	CAP_201	lost[19B8]	C2803	CAP_201	lost[28D3]	C5184	CAP_402	lost[51D7]												
C0600	CAP_201	lost[686]	C1934	CAP_402	lost[19D5]	C2804	CAP_201	lost[28D3]	C5186	CAP_402	lost[51D7]												
C0601	CAP_201	lost[684]	C1935	CAP_0805	lost[19D4]	C2805	CAP_201	lost[28D3]	C5190	CAP_201	lost[51D6]												
C0700	CAP_402	lost[704]	C1936	CAP_805	lost[19D5]	C2806	CAP_201	lost[28D3]	C5200	CAP_201	lost[52C6]												
C0701	CAP_402	lost[703]	C1937	CAP_P_SM	lost[19C3]	C2807	CAP_805	lost[28D4]	C5201	CAP_201	lost[52C6]												
C0702	CAP_201	lost[703]	C1938	CAP_201	lost[19C2]	C2808	CAP_402	lost[28D2]	C5202	CAP_201	lost[52C6]												
C0703	CAP_402	lost[703]	C1941	CAP_0805	lost[19D6]	C2900	CAP_201	lost[29B1]	C5203	CAP_201	lost[52B6]												
C0704	CAP_402	lost[703]	C1942	CAP_201	lost[19C6]	C2901	CAP_201	lost[29C6]	C5208	CAP_201	lost[52C3]												
C0705	CAP_402	lost[704]	C1943	CAP_402	lost[19C7]	C2902	CAP_402	lost[29C6]	C6600	CAP_201	lost[66A7]												
C0706	CAP_402	lost[703]	C1944	CAP_201	lost[19C7]	C2903	CAP_201	lost[29D7]	C6601	CAP_201	lost[66A6]												
C0707	CAP_201	lost[703]	C1945	CAP_201	lost[19C6]	C2906	CAP_201	lost[29C7]	C6602	CAP_201	lost[66A6]												
C0708	CAP_201	lost[706]	C1946	CAP_201	lost[19B3]	C2907	CAP_603	lost[29B7]	C6603	CAP_402	lost[66A6]												
C0709	CAP_201	lost[706]	C1947	CAP_201	lost[19A4]	C2908	CAP_402	lost[29B8]	C6604	CAP_201	lost[66D7]												
C0710	CAP_402	lost[706]	C1948	CAP_201	lost[19B4]	C2909	CAP_402	lost[29D7]	C6605	CAP_201	lost[66D7]												
C0711	CAP_402	lost[701]	C1949	CAP_603	lost[19C2]	C2910	CAP_201	lost[29D8]	C6606	CAP_201	lost[66D6]												
C0712	CAP_402	lost[702]	C1950	CAP_201	lost[19B2]	C3000	CAP_603	lost[30A3]	C6607	CAP_201	lost[66D6]												
C0713	CAP_402	lost[702]	C1951	CAP_201	lost[19C6]	C3001	CAP_603	lost[30A5]	C6608	CAP_402	lost[66D6]												
C0714	CAP_402	lost[702]	C1952	CAP_201	lost[19C3]	C3002	CAP_402	lost[30D1]	C6610	CAP_201	lost[66C2]												
C0715	CAP_402	lost[702]	C1953	CAP_201	lost[19D2]	C3003	CAP_201	lost[30D2]	C6620	CAP_201	lost[66C7]												
C0716	CAP_402	lost[703]	C1954	CAP_201	lost[19C6]	C3004	CAP_201	lost[30D6]	C6621	CAP_201	lost[66C6]												
C0717	CAP_201	lost[706]	C1955	CAP_201	lost[19C3]	C3005	CAP_603	lost[30D6]	C6700	CAP_201	lost[67C5]												
C0718	CAP_201	lost[705]	C1956	CAP_201	lost[19B2]	C3006	CAP_201	lost[30D7]	C6701	CAP_201	lost[67C5]												
C0719	CAP_402	lost[706]	C1957	CAP_201	lost[19A3]	C3007	CAP_603	lost[30D8]	C6702	CAP_402	lost[67C5]												
C0720	CAP_402	lost[706]	C1958	CAP_402	lost[19D4]	C3008	CAP_0201	lost[30A3]	C6710	CAP_201	lost[67C2]												
C0750	CAP_402	lost[702]	C1971	CAP_201	lost[19C2]	C3009	CAP_402	lost[30A4]	C6711	CAP_201	lost[67C2]												
C0751	CAP_402	lost[702]	C1990	CAP_201	lost[19A6]	C3052	CAP_201	lost[30D5]	C6712	CAP_402	lost[67C2]												
C0752	CAP_402	lost[702]	C1991	CAP_201	lost[19A6]	C3053	CAP_603	lost[30D5]	C7502	CAP_201	lost[75C7]												
C0753	CAP_402	lost[702]	C1992	CAP_201	lost[19A6]	C3100	CAP_201	lost[31D2]	C7510	CAP_201	lost[75D3]												
C0754	CAP_402	lost[702]	C1993	CAP_201	lost[19A5]	C3101	CAP_402	lost[31D3]	C7511	CAP_201	lost[75C5]												
C0800	CAP_201	lost[887]	C1994	CAP_201	lost[19C2]	C3102	CAP_201	lost[31D4]	C7512	CAP_201	lost[75C5]												
C0801	CAP_201	lost[882]	C2000	CAP_805	lost[20C3]	C3103	CAP_201	lost[31D4]	C7513	CAP_201	lost[75C5]												
C0802	CAP_201	lost[883]	C2001	CAP_402	lost[20D6]	C3104	CAP_402	lost[31D4]	C7514	CAP_201	lost[75B5]												
C0900	CAP_201	lost[922]	C2002	CAP_402	lost[20D6]	C3105	CAP_201	lost[31D6]	C7515	CAP_201	lost[75B5]												
C0901	CAP_402	lost[922]	C2003	CAP_402	lost[20C2]	C3106	CAP_201	lost[31D6]	C7516	CAP_201	lost[75B5]												
C0902	CAP_402	lost[922]	C2004	CAP_805	lost[20C3]	C3107	CAP_201	lost[31D6]	C7517	CAP_201	lost[75B5]												
C0905	CAP_402	lost[922]	C2005	CAP_402	lost[20C4]	C3108	CAP_201	lost[31D6]	C7518	CAP_201	lost[75B5]												
C1000	CAP_402	lost[1004]	C2006	CAP_201	lost[20C2]	C3109	CAP_201	lost[31D7]	C7600	CAP_402-LF	lost[76C7]												
C1001	CAP_402	lost[1005]	C2007	CAP_201	lost[20B3]	C3110	CAP_201	lost[31D7]	C7601	CAP_201	lost[76C3]												
C1002	CAP_402	lost[1005]	C2008	CAP_201	lost[20B2]	C3111	CAP_603	lost[31D7]	C7602	CAP_P_402	lost[76C5]												
C1003	CAP_402	lost[1004]	C2009	CAP_P_SM	lost[20B2]	C3112	CAP_402	lost[31D7]	C7603	CAP_201	lost[76C5]												
C1050	CAP_402	lost[1004]	C2010	CAP_201	lost[20B1]	C3150	CAP_201	lost[31B2]	C7604	CAP_201	lost[76C7]												
C1100	CAP_201	lost[11B2]	C2011	CAP_201	lost[20C7]	C3200	CAP_201	lost[32B3]	C7610	CAP_201	lost[76D4]												
C1200	CAP_402	lost[12A5]	C2012	CAP_201	lost[20C7]	C3202	CAP_603	lost[32D5]	C7611	CAP_402	lost[76D4]												
C1201	CAP_402	lost[12A6]	C2013	CAP_201	lost[20C7]	C3203	CAP_201	lost[32D6]	C7612	CAP_201	lost[76D3]												
C1202	CAP_402	lost[12A6]	C2014	CAP_201	lost[20B4]	C3204	CAP_201	lost[32D6]	C7613	CAP_402	lost[76D3]												
C1203	CAP_402	lost[12B7]	C2015	CAP_201	lost[20A4]	C3206	CAP_201	lost[32D6]	C7614	CAP_201	lost[76D2]												
C1204	CAP_402	lost[12B7]	C2016	CAP_201	lost[20B5]	C3303	CAP_201	lost[33C4]	C7615	CAP_402	lost[76D2]												
C1205	CAP_402	lost[12B7]	C2017	CAP_201	lost[20B5]	C3400	CAP_402-LF	lost[34B4]	C7616	CAP_201	lost[76C3]												
C1206	CAP_402-LF	lost[12D2]	C2018	CAP_201	lost[20C4]	C3401	CAP_201	lost[34B4]	C7617	CAP_201	lost[76C3]												
C1207	CAP_201	lost[12D3]	C2019	CAP_201	lost[20C4]	C3500	CAP_201	lost[35D3]	C7618	CAP_402	lost[76C3]												
C1208	CAP_201	lost[12D3]	C2020	CAP_201	lost[20B7]	C3502	CAP_402	lost[35B1]	C7620	CAP_201	lost[76B7]												
C1209	CAP_201	lost[12D2]	C2021	CAP_201	lost[20B8]	C3503	CAP_201	lost[35D8]	C7621	CAP_201	lost[76B7]												
C1210	CAP_201	lost[12B2]	C2022	CAP_201	lost[20B7]	C3504	CAP_201	lost[35B8]	C7622	CAP_201	lost[76B6]												
C1211	CAP_201	lost[12A3]	C2023	CAP_201	lost[20C6]	C3505	CAP_201	lost[35D6]	C7623	CAP_201	lost[76B6]												
C1212	CAP_201	lost[12A3]	C2024	CAP_201	lost[20C2]	C3506	CAP_201	lost[35C6]	C7630	CAP_201	lost[76C6]												
C1213	CAP_201	lost[12A3]	C2100	CAP_P_SM	lost[21C3]	C3507	CAP_201	lost[35B4]	C7631	CAP_201	lost[76B5]												
C1215	CAP_201	lost[12B5]	C2101	CAP_201	lost[21D3]	C3600	CAP_P_0603-SM	lost[36A5]	C7650	CAP_201	lost[76A5]												
C1216	CAP_201	lost[12B5]	C2102	CAP_201	lost[21C7]	C3601	CAP_201	lost[36A5]	C9000	CAP_201	lost[90B5]												
C1217	CAP_201	lost[12B1]	C2103	CAP_402	lost[21D5]	C3602	CAP_201	lost[36A3]	C9001	CAP_201	lost[90B4]												
C1219	CAP_402	lost[12C8]	C2104	CAP_603	lost[21D3]	C3603	CAP_201	lost[36A5]	C9401	CAP_603	lost[94D7]												
C1221	CAP_402	lost[12C8]	C2105	CAP_402	lost[21C3]	C3604	CAP_201	lost[36A4]	C9402	CAP_201	lost[94D7]												
C1222	CAP_201	lost[12A2]	C2107	CAP_402	lost[21B6]	C3610	CAP_402	lost[36D6]	C9403	CAP_201	lost[94D6]												
C1223	CAP_402	lost[12D8]	C2108	CAP_603	lost[21B7]	C3611	CAP_201	lost[36D6]	C9404	CAP_201	lost[94D6]												
C1224	CAP_402	lost[12B7]	C2111	CAP_201	lost[21A2]	C3612	CAP_201	lost[36D6]	C9405	CAP_603	lost[94D7]												
C1225	CAP_402-LF	lost[12D2]	C2112	CAP_P_B2-SM	lost[21A3]	C3613	CAP_P_603-SM	lost[36D5]	C9406	CAP_201	lost[94D7]												
C1226	CAP_402	lost[12D2]	C2113	CAP_402	lost[21D7]	C3614	CAP_201	lost[36D4]	C9407	CAP_603	lost[94C7]												
C1227	CAP_402	lost[12D1]	C2114	CAP_402	lost[21C3]	C3615	CAP_P_2012-LLP	lost[36D4]	C9408	CAP_201	lost[94C7]												
C1230	CAP_402	lost[12A4]	C2115	CAP_201	lost[21A3]	C3616	CAP_201	lost[36D3]	C9409	CAP_603	lost[94C7]												
C1250	CAP_201	lost[12A3]	C2116	CAP_201	lost[21B4]	C3617	CAP_201	lost[36D3]	C9410	CAP_201	lost[94C7]												
C1251	CAP_201	lost[12A2]	C2117	CAP_201	lost[21C3]	C3618	CAP_603	lost[36D3]	C9411	CAP_201	lost[94C6]												
C1260	CAP_402	lost[12B6]	C2118	CAP_201	lost[21B3]	C3619	CAP_402-1	lost[36D6]	C9412	CAP_201	lost[94C6]												
C1261	CAP_402	lost[12D1]	C2120	CAP_201	lost[21C6]	C3620	CAP_402-1	lost[36D6]	C9413	CAP_201	lost[94D5]												
C1400	CAP_201	lost[14A4]	C2121	CAP_201	lost[21C7]	C3621	CAP_402-LF	lost[36C6]	C9414	CAP_201	lost[94D5]												
C1402	CAP_201	lost[14D6]	C2122	CAP_201	lost[21D4]	C3622	CAP_402-LF	lost[36C6]	C9415	CAP_201	lost[94D5]												
C1403	CAP_201	lost[14D4]	C2123	CAP_201	lost[21C2]	C3623	CAP_P_2012-LLP	lost[36B4]	C9416	CAP_603	lost[94D4]												
C1404	CAP_201	lost[14D3]	C2205	CAP_603	lost[22A5]	C3624	CAP_P_402	lost[36B4]	C9417	CAP_201	lost[94C5]												
C1405	CAP_201	lost[14D3]	C2209	CAP_603	lost[22A6]	C3701	CAP_P_2012-LLP	lost[37B4]	C9418	CAP_201	lost[94C3]												
C1406	CAP_201	lost[14D4]	C2250	CAP_																			

	8	7	6	5	4	3	2	1
D2600	DIODE_SCHOT_SOD-323	lost[2604]	L7501	IND_0603	lost[75C5]	R0926	RES_201	lost[9B7]
D3000	DIODE_SCHOT_SOD-323	lost[30B3]	L7502	IND_0603	lost[75B5]	R0934	RES_201	lost[9C3]
D5000	RCLAMP0502N_SLP1210N	lost[50D2]	L7600	FILTER_2P_0201	lost[76D7]	R0936	RES_201	lost[9A2]
D5023	DIODE_SCHOT_6P_4C_2A	lost[50D7]	L9400	IND_0402-LF	lost[94D7]	R0937	RES_201	lost[9D3]
D5100	RCLAMP0502N_SLP1210N	lost[51D2]	L9401	IND_0402-LF	lost[94D7]	R0938	RES_201	lost[9D3]
D5120	DIODE_SCHOT_6P_4C_2A	lost[51D7]	L9402	IND_0402-LF	lost[94D7]	R0940	RES_201	lost[9C6]
DZ3900	SUPPR_TRANSIENT1_402	lost[39C6]	L9403	IND_0402-LF	lost[94C7]	R0941	RES_201	lost[9C6]
DZ3901	SUPPR_TRANSIENT1_402	lost[39C6]	L9405	IND_0402-LF	lost[94D4]	R0942	RES_201	lost[9B6]
DZ3902	SUPPR_TRANSIENT1_402	lost[39C7]	L9406	IND_0402-LF	lost[94C4]	R0943	RES_201	lost[9B6]
DZ3903	SUPPR_TRANSIENT1_402	lost[39B7]	Q1801	TRA_DUAL_PWRPK_PCHN_6P_PWRPK-1212-8	lost[18B4 18C5]	R0944	RES_201	lost[9B6]
DZ3904	SUPPR_TRANSIENT1_402	lost[39B6]	Q1803	TRA_DUAL_PWRPK_PCHN_6P_PWRPK-1212-8	lost[18B3 18D3]	R0945	RES_201	lost[9B6]
DZ3905	SUPPR_TRANSIENT1_402	lost[39B6]	Q1807	TRA_DUAL_2N7002A_SOT	lost[18C4 18C4]	R0966	RES_201	lost[9C3]
DZ3906	SUPPR_TRANSIENT1_402	lost[39C3]	Q1808	TRA_DUAL_2N7002A_SOT	lost[18A3 18A4]	R0967	RES_201	lost[9A1]
DZ3907	SUPPR_TRANSIENT1_402	lost[39C3]	Q1809	TRA_PWRPK_PCHN_5P_PWR	lost[18B6]	R0970	RES_201	lost[9A7]
DZ3911	SUPPR_TRANSIENT1_402	lost[39C3]	Q1810	TRA_DUAL_2N7002A_SOT	lost[18A5 18A6]	R0971	RES_201	lost[9A7]
DZ3912	SUPPR_TRANSIENT1_402	lost[39B3]	Q1816	TRA_DUAL_2N7002A_SOT	lost[18C3 18D2]	R0980	RES_201	lost[9D7]
DZ3913	SUPPR_TRANSIENT1_402	lost[39B3]	Q1817	TRA_DUAL_2N7002A_SOT	lost[18B1 18B2]	R1001	RES_201	lost[10A5]
DZ3914	SUPPR_TRANSIENT1_402	lost[39B3]	Q1910	TRA_SI7904DN_PWRPK-1	lost[19C5]	R1003	RES_201	lost[10A4]
DZ3915	SUPPR_TRANSIENT1_402	lost[39B3]	Q1915	TRA_DUAL_2N7002A_SOT	lost[19B2 19A2]	R1004	RES_201	lost[10C4]
DZ5089	SUPPR_TRANSIENT1_402	lost[50B7]	Q1916	TRA_DUAL_2N7002A_SOT	lost[19A3 19A1]	R1005	RES_201	lost[10C3]
DZ5090	SUPPR_TRANSIENT1_402	lost[50C4]	Q1917	TRA_PWRPK_PCHN_5P_PWR	lost[19C2]	R1006	RES_201	lost[10A4]
DZ5091	SUPPR_TRANSIENT1_402	lost[50C6]	Q2000	TRA_FDZ294N_BGA	lost[20C3]	R1007	RES_201	lost[10A3]
DZ5092	SUPPR_TRANSIENT1_402	lost[50D4]	Q2001	TRA_FDZ294N_BGA	lost[20B4]	R1008	RES_201	lost[10C7]
DZ5093	SUPPR_TRANSIENT1_402	lost[50A7]	Q2002	TRA_2N7002T_SOT-523	lost[20A7]	R1009	RES_201	lost[10C4]
DZ5189	SUPPR_TRANSIENT1_402	lost[51B7]	Q2100	TRA_SI7904DN_PWRPK-1	lost[21C4]	R1010	RES_201	lost[10C7]
DZ5190	SUPPR_TRANSIENT1_402	lost[51D4]	Q2101	TRA_SI7904DN_PWRPK-1	lost[21C4]	R1011	RES_201	lost[10C4]
DZ5191	SUPPR_TRANSIENT1_402	lost[51C6]	Q2102	TRA_DUAL_SSM6N15FE_S	lost[21C7 21C8]	R1012	RES_201	lost[10B2]
DZ5192	SUPPR_TRANSIENT1_402	lost[51C4]	Q2103	TRA_DUAL_2N7002A_SOT	lost[21A7 21A6]	R1015	RES_201	lost[10B2]
DZ5193	SUPPR_TRANSIENT1_402	lost[51A7]	Q2320	TRA_SI7904DN_PWRPK-1	lost[23B3]	R1017	RES_201	lost[10B2]
F1800	FUSE_603-HF	lost[18D7]	Q2400	TRA_SSM3K15PV_SOD-VE	lost[24B3]	R1019	RES_201	lost[10B2]
F1900	FUSE_1206	lost[19C2]	Q2401	TRA_PCH_CEDM8001_SOT	lost[24B3]	R1020	RES_201	lost[10C4]
FL5007	FILTER_2P_0201	lost[50B5]	Q2701	TRA_FDZ294N_BGA	lost[27C5]	R1021	RES_201	lost[10B3]
FL5008	FILTER_2P_0201	lost[50A5]	Q2702	TRA_FDZ294N_BGA	lost[27C5]	R1022	RES_201	lost[10B3]
FL5011	FILTER_2P_0201	lost[50B3]	Q2703	TRA_FDZ294N_BGA	lost[27B5]	R1027	RES_201	lost[10A4]
FL5020	FILTER_2P_0201	lost[50B3]	Q2709	TRA_SI5486DU_POWERPA	lost[27C2]	R1050	RES_201	lost[10C4]
FL5107	FILTER_2P_0201	lost[51B5]	Q2900	TRA_DUAL_SSM6N15FE_S	lost[29A4 29A4]	R1060	RES_201	lost[10C2]
FL5108	FILTER_2P_0201	lost[51A5]	Q2902	TRA_DUAL_BC847BV_SOT	lost[29D2 29D1]	R1061	RES_201	lost[10C1]
FL5111	FILTER_2P_0201	lost[51B5]	Q3100	TRA_DUAL_2N7002A_SOT	lost[31B1 31B1]	R1090	RES_201	lost[10D2]
FL5120	FILTER_2P_0201	lost[51B3]	Q3101	TRA_2N7002T_SOT-523	lost[31A6]	R1091	RES_201	lost[10D2]
FL7500	FILTER_2P_0201	lost[75C7]	Q3102	TRA_2N7002T_SOT-523	lost[31B1]	R1092	RES_201	lost[10D2]
J1900	CON_M6RT_S2MT_SM1_M-	lost[19A5]	Q3200	TRA_FDZ293P_BGA	lost[32D6]	R1093	RES_201	lost[10D1]
J3010	CON_F50ST_D4MT_SM_F-	lost[30B7]	Q3201	TRA_2N7002T_SOT-523	lost[32D7]	R1094	RES_201	lost[10D2]
J3011	CON_F60ST_D4MT_SM_F-	lost[30B6]	Q3500	TRA_NTK3142P_PCHN_3P	lost[35C2]	R1095	RES_201	lost[10B8]
J3020	CON_F4RT_S2MT_SMA_F-	lost[30B1]	Q3501	TRA_2N7002T_SOT-523	lost[35B3]	R1096	RES_201	lost[10B8]
J3201	CON_F30ST_S5MT_SM_F-	lost[32D1]	Q4200	TRA_NCH_SSM3K16CT_CS	lost[42C2]	R1097	RES_201	lost[10A4]
J3700	CON_M4RT_S2MT_SM_M-R	lost[37B2]	Q4201	TRA_NCH_SSM3K16CT_CS	lost[42C6]	R1098	RES_201	lost[10A4]
J3800	CON_M4RT_S2MT_SM_M-R	lost[38C2]	R1	THERMISTERS_0402	lost[20B2]	R1099	RES_201	lost[10A4]
J4111	CON_M10RT_S2MT_SM1_M	lost[41D5]	R0600	RES_201	lost[6C8]	R1100	RES_201	lost[10A4]
J4161	CON_M10RT_S2MT_SM1_M	lost[41B5]	R0601	RES_201	lost[6C8]	R1101	RES_201	lost[11B3]
J4600	CON_F6RT_S2MT_SM_F-R	lost[46C5]	R0602	RES_201	lost[6C8]	R1102	RES_201	lost[11C2]
J5001	CON_F36ST_D4MT_SM_F-	lost[50C2]	R0603	RES_201	lost[6B5]	R1103	RES_201	lost[11B2]
J5105	CON_F36ST_D4MT_SM_F-	lost[51C2]	R0604	RES_201	lost[6B5]	R1205	RES_201	lost[12B2]
J5400	CON_M4RT_S2MT_SM_M-R	lost[54C2]	R0605	RES_201	lost[6B5]	R1250	RES_201	lost[12B3]
J6500	CON_F6RT_S2MT_SM_F-R	lost[65B4]	R0606	RES_201	lost[6B5]	R1291	RES_201	lost[12A3]
J9000	CON_F60ST_D_SM1_F-ST	lost[90C4]	R0620	RES_201	lost[6A7]	R1400	RES_201	lost[14A5]
L1500	IND_0402-LF	lost[15D7]	R0621	RES_201	lost[6A7]	R1401	RES_201	lost[14A5]
L1501	IND_0402-LF	lost[15D7]	R0622	RES_201	lost[6A7]	R1402	RES_201	lost[14C4]
L1900	IND_ILH2020BE11-SM	lost[19A6]	R0623	RES_201	lost[6A7]	R1403	RES_201	lost[14C8]
L1901	IND_SM-LF	lost[19A6]	R0624	RES_201	lost[6A7]	R1490	RES_201	lost[14C4]
L2000	IND_PCMC042T-SM	lost[20C2]	R0625	RES_201	lost[6A7]	R1500	RES_201	lost[15B6]
L2102	IND_PCMC042T-SM	lost[21C4]	R0626	RES_201	lost[6A7]	R1503	RES_201	lost[15C1]
L2103	IND_PCMC042T-SM	lost[21A3]	R0627	RES_201	lost[6A7]	R1504	RES_201	lost[15C1]
L2200	IND_MDT250CN-SM	lost[22B5]	R0628	RES_201	lost[6B1]	R1505	RES_201	lost[15C1]
L2250	IND_SM	lost[22C4]	R0629	RES_201	lost[6B1]	R1506	RES_201	lost[15C1]
L2320	IND_MMD05C2-SM	lost[23B3]	R0630	RES_201	lost[6B1]	R1507	RES_201	lost[15B1]
L2401	IND_S1024AS-SM	lost[24C4]	R0631	RES_201	lost[6B1]	R1508	RES_201	lost[15B1]
L2450	IND_S1024AS-SM	lost[24B4]	R0632	RES_201	lost[6B1]	R1509	RES_201	lost[15B2]
L2600	IND_ILH2020BE11-SM	lost[26D5]	R0633	RES_201	lost[6B1]	R1514	RES_201	lost[15C2]
L3000	IND_VLF	lost[30B4]	R0634	RES_201	lost[6D4]	R1515	RES_201	lost[15C2]
L3201	IND_0402	lost[32D5]	R0635	RES_201	lost[6C5]	R1530	RES_201	lost[15A7]
L3202	FILTER_4P_TCM1005	lost[32C3]	R0636	RES_201	lost[6C5]	R1531	RES_201	lost[15A7]
L3400	FILTER_2P_0201	lost[34B4]	R0637	RES_201	lost[6A7]	R1532	RES_201	lost[15A7]
L3601	FILTER_2P_0201	lost[36A5]	R0638	RES_201	lost[6A7]	R1533	RES_201	lost[15A7]
L3602	FILTER_2P_0201	lost[36A5]	R0639	RES_201	lost[6A7]	R1540	RES_201	lost[15C2]
L3900	FILTER_2P_0201	lost[39D6]	R0640	RES_201	lost[6A7]	R1541	RES_201	lost[15C2]
L3901	FILTER_2P_0201	lost[39D6]	R0641	RES_201	lost[6A7]	R1542	RES_201	lost[15B2]
L3902	FILTER_2P_0201	lost[39C6]	R0642	RES_201	lost[6A7]	R1543	RES_201	lost[15B2]
L3903	FILTER_2P_0201	lost[39C6]	R0643	RES_201	lost[6A7]	R1544	RES_201	lost[15B2]
L3904	FILTER_2P_0201	lost[39B6]	R0644	RES_201	lost[6A7]	R1545	RES_201	lost[15C2]
L3905	FILTER_2P_0201	lost[39B6]	R0645	RES_201	lost[6A7]	R1546	RES_201	lost[15C2]
L3910	FILTER_2P_0201	lost[39D2]	R0646	RES_201	lost[6A7]	R1547	RES_201	lost[15C2]
L3911	FILTER_2P_0201	lost[39D2]	R0647	RES_201	lost[6A7]	R1548	RES_201	lost[15C2]
L3912	FILTER_2P_0201	lost[39C2]	R0648	RES_201	lost[6A7]	R1549	RES_201	lost[15C2]
L3913	FILTER_2P_0201	lost[39C2]	R0649	RES_201	lost[6A7]	R1550	RES_201	lost[15C2]
L3914	FILTER_2P_0201	lost[39C2]	R0650	RES_201	lost[6A7]	R1551	RES_201	lost[15C2]
L3915	FILTER_2P_0201	lost[39B2]	R0651	RES_201	lost[6A7]	R1552	RES_201	lost[15C2]
L3916	FILTER_2P_0201	lost[39B2]	R0652	RES_201	lost[6A7]	R1553	RES_201	lost[15C2]
L4600	FILTER_4P_TCM1005	lost[46C6]	R0653	RES_201	lost[6A7]	R1554	RES_201	lost[15C2]
L5006	IND_0402	lost[50A7]	R0654	RES_201	lost[6A7]	R1555	RES_201	lost[15C2]
L5009	IND_0402	lost[50D5]	R0655	RES_201	lost[6A7]	R1556	RES_201	lost[15C2]
L5013	IND_0402	lost[50B7]	R0656	RES_201	lost[6A7]	R1557	RES_201	lost[15C2]
L5014	IND_0402	lost[50C5]	R0657	RES_201	lost[6A7]	R1558	RES_201	lost[15C2]
L5015	IND_0402	lost[50C7]	R0658	RES_201	lost[6A7]	R1559	RES_201	lost[15C2]
L5016	FILTER_4P_TCM1005	lost[50D2]	R0659	RES_201	lost[6A7]	R1560	RES_201	lost[15C2]
L5017	IND_0603	lost[50D7]	R0660	RES_201	lost[6A7]	R1561	RES_201	lost[15C2]
L5039	IND_0603	lost[50C7]	R0661	RES_201	lost[6A7]	R1562	RES_201	lost[15C2]
L5106	IND_0402	lost[51A7]	R0662	RES_201	lost[6A7]	R1563	RES_201	lost[15C2]
L5109	IND_0402	lost[51C5]	R0663	RES_201	lost[6A7]	R1564	RES_201	lost[15C2]
L5113	IND_0402	lost[51B7]	R0664	RES_201	lost[6A7]	R1565	RES_201	lost[15C2]
L5114	IND_0402	lost[51D5]	R0665	RES_201	lost[6A7]	R1566	RES_201	lost[15C2]
L5115	IND_0402	lost[51C7]	R0666	RES_201	lost[6A7]	R1567	RES_201	lost[15C2]
L5116	FILTER_4P_TCM1005	lost[51D2]	R0667	RES_201	lost[6A7]	R1568	RES_201	lost[15C2]
L5117	IND_0603	lost[51D7]	R0668	RES_201	lost[6A7]	R1569	RES_201	lost[15C2]
L5139	IND_0603	lost[51C7]	R0669	RES_201	lost[6A7]	R1570	RES_201	lost[15C2]
L6500	FILTER_4P_TCM1005	lost[65B5]	R0670	RES_201	lost[6A7]	R1571	RES_201	lost[15C2]
L7500	IND_0603	lost[75C5]	R0671	RES_201	lost[6A7]	R1572	RES_201	lost[15C2]
L7501	IND_0603	lost[75C5]	R0672	RES_201	lost[6A7]	R1573	RES_201	lost[15C2]
R0926	RES_201	lost[9B7]	R0673	RES_201	lost[6A7]	R1574	RES_201	lost[15C2]
R0934	RES_201	lost[9C3]	R0674	RES_201				

	8	7	6	5	4	3	2	1
D	R2945 RES_201 lost[29D5]	R6612 RES_201 lost[66B2]	U3501 SWI_FSUSB42_UMLP lost[35A3]					
	R2946 RES_201 lost[29C2]	R6700 RES_201 lost[67B7]	U3502 74LVC2G66_BGA lost[35D7 35D7]					
	R2947 RES_201 lost[29B3]	R6701 RES_201 lost[67B7]	U3504 74LVC2G66_BGA lost[35B7 35C7]					
	R2948 RES_201 lost[29D4]	R6702 RES_201 lost[67B7]	U3600 CS4206_QFN lost[36D5]					
	R2990 RES_201 lost[29C5]	R6703 RES_201 lost[67B7]	U3601 MAX8840_UDFN lost[36A4]					
	R2991 RES_201 lost[29C5]	R6704 RES_201 lost[67B7]	U3700 MAX9705_TDFN1 lost[37B4]					
	R3001 RES_201 lost[30D1]	R6705 RES_201 lost[67B7]	U3800 MAX9724A_TQFN lost[38D6]					
	R3005 RES_201 lost[30D1]	R6706 RES_201 lost[67B7]	U4050 STG3684A_QFN10L lost[40C2]					
	R3009 RES_201 lost[30A3]	R6707 RES_201 lost[67B7]	U4210 CD3272_WCS99 lost[42B3]					
	R3010 RES_201 lost[30D3]	R6710 RES_201 lost[67B4]	U4220 CD3272_WCS99 lost[42B6]					
	R3011 RES_201 lost[30C3]	R6711 RES_201 lost[67B4]	U4300 EMC1043_MSOP lost[43D5]					
	R3012 RES_201 lost[30A3]	R6712 RES_201 lost[67B4]	U5000 SUPPR_NUP412VP5_SOT9 lost[50B2]					
	R3050 RES_201 lost[30C4]	R6713 RES_201 lost[67B4]	53					
	R3051 RES_201 lost[30C4]	R6714 RES_201 lost[67B4]	SUPPR_NUP412VP5_SOT9 lost[51A2]					
	R3052 RES_201 lost[30C4]	R6715 RES_201 lost[67B4]	53					
	R3060 RES_201 lost[30D2]	R6716 RES_201 lost[67B4]	U5200 SWI_LM34902_USMD lost[52C6]					
	R3066 RES_201 lost[30B3]	R6717 RES_201 lost[67B4]	U5201 SWI_LM34902_USMD lost[52C6]					
	R3080 RES_402 lost[30D3]	R7503 RES_201 lost[75B7]	U5202 74HC303244_QFN lost[52C2]					
	R3081 RES_402 lost[30D3]	R7504 RES_201 lost[75B7]	U6600 PS2231_IQFP lost[66C5]					
	R3090 RES_402 lost[30A1]	R7505 RES_201 lost[75B7]	U6700 FLASH_8GX8_48P7_TSOP lost[67C6]					
	R3091 RES_402 lost[30A1]	R7506 RES_201 lost[75B3]	U6710 FLASH_8GX8_48P7_TSOP lost[67C3]					
	R3100 RES_201 lost[31B3]	R7507 RES_201 lost[75B3]	U7501 THS7318_BGA lost[75C7]					
	R3101 RES_201 lost[31D4]	R7508 RES_201 lost[75C3]	U7600 A1010_WLCSF48 lost[76C5]					
	R3102 RES_201 lost[31D2]	R7509 RES_201 lost[75B3]	U7601 MAX8510_SC70-5 lost[76D6]					
	R3107 RES_201 lost[31B6]	R7510 RES_201 lost[75C3]	U9400 CH7021A_QFN lost[94C6]					
	R3108 RES_201 lost[31B6]	R7511 RES_201 lost[75C3]	U9600 BT_WIFI_MOD_M53_SM lost[96C5]					
	R3109 RES_201 lost[31A6]	R7520 RES_201 lost[75B7]	U9700 FT232R_QFN lost[97C5]					
	R3150 RES_201 lost[31B3]	R7521 RES_201 lost[75B7]	XW1201 SHORT_SM lost[12B1]					
	R3160 RES_201 lost[31C5]	R7522 RES_201 lost[75B7]	XW1700 SHORT_SHORT-0201 lost[17B7]					
	R3190 RES_201 lost[31D6]	R7600 RES_201 lost[76C7]	XW1701 SHORT_SHORT-0201 lost[17C2]					
	R3191 RES_201 lost[31D6]	R7610 RES_201 lost[76B7]	XW1900 SHORT_SHORT-0201 lost[19C5]					
	R3200 RES_201 lost[32C4]	R7611 RES_201 lost[76B7]	XW1901 SHORT_SHORT-0201 lost[19D7]					
	R3201 RES_201 lost[32C4]	R7612 RES_201 lost[76B6]	XW1902 SHORT_SHORT-0201 lost[19D7]					
	R3203 RES_201 lost[32D7]	R7613 RES_201 lost[76C7]	XW1903 SHORT_SHORT-0201 lost[19B4]					
	R3204 RES_201 lost[32D7]	R7614 RES_201 lost[76C7]	XW1904 SHORT_SHORT-0201 lost[19B4]					
	R3205 RES_201 lost[32C8]	R7615 RES_201 lost[76C6]	XW1905 SHORT_SHORT-0201 lost[19C3]					
	R3206 RES_201 lost[32C3]	R7616 RES_201 lost[76C4]	XW1906 SHORT_SHORT-0201 lost[19C3]					
	R3207 RES_201 lost[32C3]	R7617 RES_201 lost[76C3]	XW2000 SHORT_SHORT-0201 lost[20B5]					
	R3300 RES_201 lost[33C5]	R7618 RES_201 lost[76B3]	XW2100 SHORT_SHORT-0201 lost[21B3]					
	R3301 RES_201 lost[33C5]	R7620 RES_201 lost[76C6]	XW2101 SHORT_SHORT-0201 lost[21A4]					
	R3302 RES_201 lost[33C6]	R7621 RES_201 lost[76C6]	XW2201 SHORT_SHORT-0201 lost[22A5]					
	R3303 RES_201 lost[33C6]	R7650 RES_201 lost[76A5]	XW2300 SHORT_SHORT-0201 lost[23B5]					
	R3304 RES_201 lost[33C3]	R9003 RES_201 lost[90C6]	XW2301 SHORT_SHORT-0201 lost[23C5]					
	R3500 RES_201 lost[35D2]	R9004 RES_201 lost[90B2]	XW2302 SHORT_SHORT-0201 lost[23C4]					
	R3501 RES_201 lost[35C2]	R9005 RES_201 lost[90B7]	XW2303 SHORT_SHORT-0201 lost[23A5]					
	R3504 RES_201 lost[35B4]	R9010 RES_201 lost[90B6]	XW2400 SHORT_SHORT-0201 lost[24C3]					
	R3505 RES_201 lost[35C3]	R9011 RES_201 lost[90A4]	XW2450 SHORT_SHORT-0201 lost[24A5]					
	R3512 RES_201 lost[35D6]	R9012 RES_201 lost[90A5]	XW2600 SHORT_SHORT-0201 lost[26B3]					
	R3514 RES_201 lost[35C6]	R9013 RES_201 lost[90A4]	XW2800 SHORT_SM lost[28C2]					
	R3515 RES_201 lost[35B6]	R9020 RES_201 lost[90C4]	XW3000 SHORT_SM lost[30A4]					
	R3516 RES_201 lost[35D6]	R9050 RES_201 lost[90B4]	XW3600 SHORT_SM lost[36A5]					
	R3518 RES_201 lost[35C1]	R9051 RES_201 lost[90B6]	XW3601 SHORT_SM lost[36B6]					
	R3519 RES_201 lost[35B1]	R9052 RES_201 lost[90B5]	XW3602 SHORT_SM lost[36B6]					
	R3600 RES_201 lost[36A5]	R9407 RES_201 lost[94B4]	XW3700 SHORT_SM lost[37A6]					
	R3610 RES_201 lost[36C7]	R9408 RES_201 lost[94A4]	XW3701 SHORT_SM lost[37B6]					
	R3611 RES_201 lost[36B6]	R9409 RES_201 lost[94A5]	XW3950 SHORT_SM lost[39A6]					
	R3612 RES_201 lost[36B6]	R9410 RES_201 lost[94A5]	XW3951 SHORT_SM lost[39A6]					
	R3613 RES_201 lost[36B5]	R9418 RES_201 lost[94B4]	XW3952 SHORT_SM lost[39A6]					
	R3614 RES_201 lost[36B5]	R9419 RES_201 lost[94A6]	XW3953 SHORT_SM lost[39A6]					
	R3615 RES_201 lost[36B5]	R9450 RES_201 lost[94A7]	XW3954 SHORT_SM lost[39A6]					
	R3616 RES_201 lost[36D7]	R9460 RES_201 lost[94C5]	XW3955 SHORT_SM lost[39A6]					
	R3617 RES_201 lost[36B3]	R9490 RES_201 lost[94B4]	XW4210 SHORT_SM lost[42B3]					
	R3701 RES_201 lost[37B6]	R9491 RES_201 lost[94B4]	XW4220 SHORT_SM lost[42B6]					
	R3702 RES_201 lost[37B6]	R9492 RES_201 lost[94B4]	XW5000 SHORT_SHORT-0201 lost[50A2]					
	R3703 RES_201 lost[37B6]	R9600 RES_201 lost[96B2]	XW5100 SHORT_SHORT-0201 lost[51A2]					
	R3704 RES_201 lost[37B6]	R9601 RES_201 lost[96B5]	XW7600 SHORT_SM lost[76C6]					
	R3710 RES_201 lost[37A5]	TP9900 TP_SM-TP25-TOP lost[9D3]	Y0900 CRYSTAL_3.2X1.5X.6-S lost[9D3]					
	R3810 RES_201 lost[38B6]	TP9901 TP_SM-TP25-TOP lost[9D3]	Y1500 CRYSTAL_4PIN_SM-2.5X lost[15C6]					
	R3811 RES_201 lost[38B6]	U0600 SILVERTHORNE_BGA lost[6D7 6C3]	2.0MM					
	R3820 RES_201 lost[38A6]	U0600 SILVERTHORNE_BGA lost[7D8 7D5]	Y2900 CRYSTAL_4PIN_SM-2.5X lost[29C7]					
	R3821 RES_201 lost[38A6]	U0800 POULSBO_BGA lost[8D5]	2.0MM					
	R3840 RES_201 lost[38B3]	U0800 POULSBO_BGA lost[9D5]	Y6600 CRYSTAL_4PIN_SM-3.2X lost[66C7]					
	R3841 RES_201 lost[38B3]	U0800 POULSBO_BGA lost[10D6]	2.5MM					
	R3842 RES_201 lost[38B3]	U0800 POULSBO_BGA lost[11D5]	Y9400 CRYSTAL_4PIN_SM-2.5X lost[94B7]					
	R3843 RES_201 lost[38B2]	U0800 POULSBO_BGA lost[12D7]	2.0MM					
	R3950 RES_201 lost[39A7]	U0800 POULSBO_BGA lost[13D8 13D6 13D4 13D2]						
	R3951 RES_201 lost[39A6]	U1400 SDRAM_32MX16_84P_FBG lost[14D2]						
	R4000 RES_402 lost[40C7]	A						
	R4001 RES_402 lost[40C7]	U1401 SDRAM_32MX16_84P_FBG lost[14B3]						
	R4010 RES_201 lost[40C6]	A						
	R4011 RES_201 lost[40C6]	U1402 SDRAM_32MX16_84P_FBG lost[14D7]						
	R4015 RES_201 lost[40C7]	A						
	R4016 RES_201 lost[40C7]	U1403 SDRAM_32MX16_84P_FBG lost[14B7]						
	R4020 RES_201 lost[40B6]	A						
	R4021 RES_201 lost[40B6]	U1500 CLK_GEN_SLG8SP528_QF lost[15C5]						
	R4025 RES_201 lost[40B7]	N						
	R4026 RES_201 lost[40B7]	U1901 INA210_SC70 lost[19D2]						
	R4050 RES_201 lost[40B2]	U1910 LTC6102_DFN lost[19D8]						
	R4200 RES_201 lost[42D2]	U1911 OPAMP_LMC7111_SOT23-5-LF lost[19B7]						
	R4201 RES_201 lost[42D3]	5-LF						
	R4202 RES_201 lost[42C3]	U1912 LTC38351_DFN lost[19D6]						
	R4203 RES_201 lost[42D6]	U1913 OPAMP_LMC7111_SOT23-5-LF lost[19A3]						
	R4204 RES_201 lost[42D7]	5-LF						
	R4205 RES_201 lost[42C7]	U1914 OPAMP_LTC2053_DFN_DF lost[19C3]						
	R4210 RES_201 lost[42B3]	N						
	R4211 RES_201 lost[42B3]	U1915 OPAMP_LMC7111_SOT23-5-LF lost[19A2]						
	R4220 RES_201 lost[42B7]	5-LF						
	R4221 RES_201 lost[42B7]	U2000 SC454_MPLD lost[20C5]						
	R4222 RES_201 lost[42A6]	U2100 LTC3785_QFN lost[21D6]						
	R4300 RES_402 lost[43D5]	U2101 ISL8013_QFN lost[21A4]						
	R4301 RES_402 lost[43B4]	U2201 SC120_MLDP lost[22B5]						
	R4302 RES_402 lost[43B4]	U2250 TPS62510_BQA lost[22C5]						
	R4305 RES_603 lost[43C5]	U2300 74LVC1G07_SOT886 lost[23C7]						
	R5000 RES_201 lost[50A7]	U2302 TPS51116_QFN lost[23B6]						
	R5002 RES_201 lost[50C7]	U2400 DDC_C_LTC470A_DFN lost[24D6]						
	R5070 RES_201 lost[50B4]	U2450 LTC3531_DFN lost[24B5]						
	R5071 RES_201 lost[50A4]	U2600 SC440_MLPO lost[26C5]						
	R5072 RES_201 lost[50A4]	U2700 ISL6130_QFN lost[27B7]						
	R5080 RES_201 lost[50C7]	U2800 HSB2117_LGA lost[28B7 28D7 28D3]						
	R5090 RES_201 lost[50C7]	U2900 STM6778_SOT23-6 lost[29D7]						
	R5100 RES_201 lost[51A7]	U2901 VREF_REF3133_SOT23-3 lost[29C8]						
	R5102 RES_201 lost[51C7]	U2902 74LVC1G32GF_SOT891 lost[29D8]						
	R5170 RES_201 lost[51B4]	U3000 TPS61045_QFN lost[30A4]						
	R5171 RES_201 lost[51B4]	U3001 CY8C24994_BGA_VFPGA lost[30D3]						
	R5172 RES_201 lost[51A4]	U3002 MARIO_LITE_BGA lost[30D6]						
	R5180 RES_201 lost[51C7]	U3003 MARIO_LITE_BGA lost[30D8]						
	R5190 RES_201 lost[51C7]	U3004 MARIO_LITE_BGA lost[30D5]						
	R5200 RES_201 lost[52C6]	U3100 ZEPHYR_BGA-HF lost[31D4]						
	R5201 RES_201 lost[52C6]	U3101 BCM5974_FBGA lost[31D7]						
	R5202 RES_201 lost[52B6]	U3102 FLASH_SST25VF020_QFN lost[31D2]						
	R5203 RES_201 lost[52B6]	U3150 74AHC1G14_SC70-LF lost[31B2]						
	R5220 RES_201 lost[52C3]	U3300 FLASH_M25P16_VFQFPN lost[33C4]						
	R6602 RES_201 lost[66B2]	U3400 LIS331DL_LGA lost[34B5]						
	R6611 RES_201 lost[66B2]	U3500 TMP106_WCSP-6 lost[35D3]						
A								
B								
C								
D								