

Compal Confidential

ICL50/51, ICK70/71 Schematics Document

Intel Merom Processor with Crestline(PM965/GM965) + DDRII + ICH8M
(With ATI MXM/B)

2007-4-20

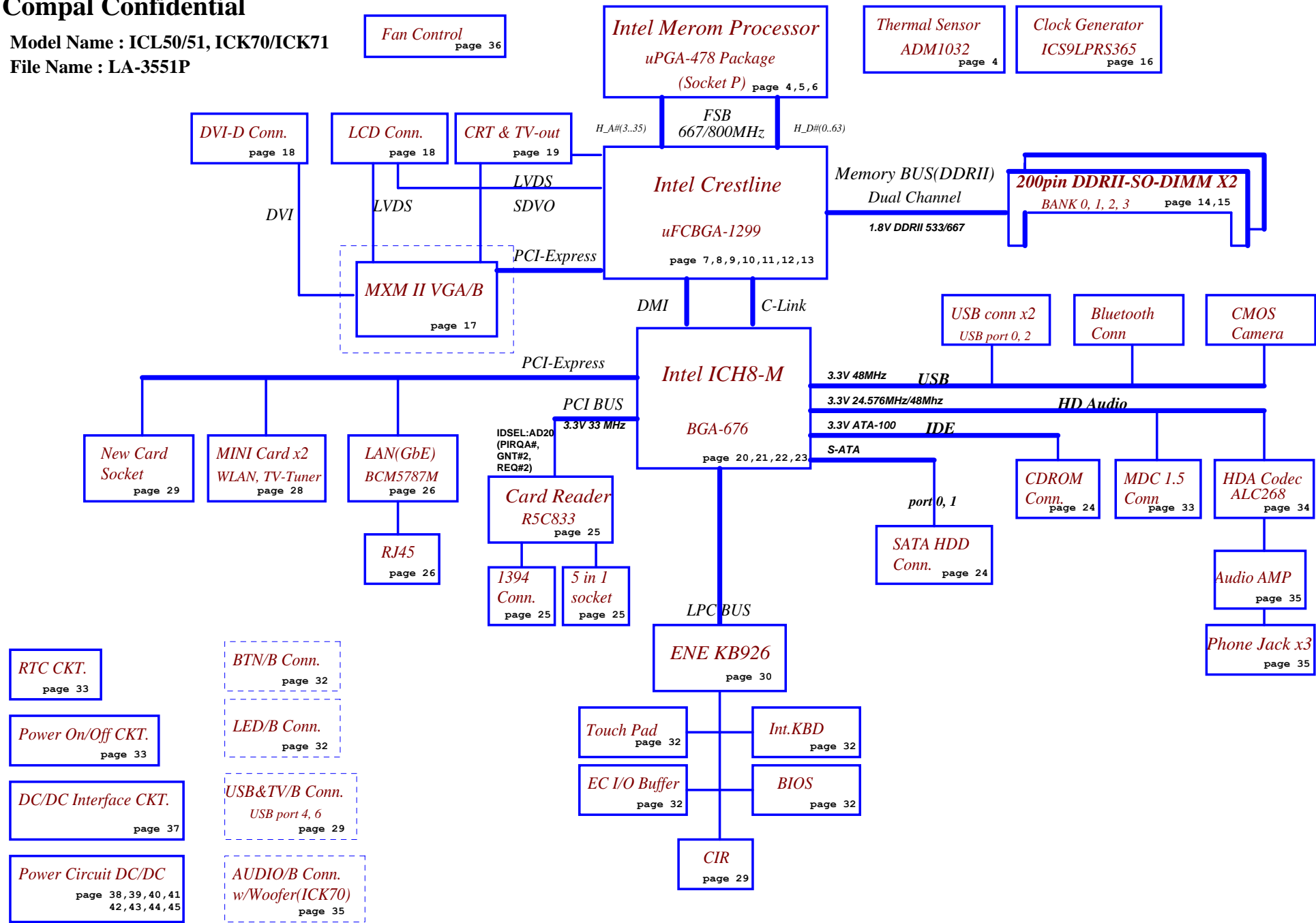
REV: 1A

Security Classification	Compal Secret Data			Compal Electronics, Inc.	
Issued Date	2007/04/04	Deciphered Date	2008/04/04	Title	Cover Page
THIS SHEET OF ENGINEERING DRAWING IS THE PROPRIETARY PROPERTY OF COMPAL ELECTRONICS, INC. AND CONTAINS CONFIDENTIAL AND TRADE SECRET INFORMATION. THIS SHEET MAY NOT BE TRANSFERRED FROM THE CUSTODY OF THE COMPETENT DIVISION OF R&D DEPARTMENT EXCEPT AS AUTHORIZED BY COMPAL ELECTRONICS, INC. NEITHER THIS SHEET NOR THE INFORMATION IT CONTAINS MAY BE USED BY OR DISCLOSED TO ANY THIRD PARTY WITHOUT PRIOR WRITTEN CONSENT OF COMPAL ELECTRONICS, INC.				Document Number	Rev
				ICL50/ICK70 M/B LA-3551P Schematic	
				Date: Monday, April 23, 2007	Sheet 1 of 48

Compal Confidential

Model Name : ICL50/51, ICK70/ICK71

File Name : LA-3551P



Security Classification		Compal Secret Data		Compal Electronics, Inc.	
Issued Date	2006/12/25	Deciphered Date	2007/12/25	Title	
THIS SHEET OF ENGINEERING DRAWING IS THE PROPRIETARY PROPERTY OF COMPAL ELECTRONICS, INC. AND CONTAINS CONFIDENTIAL AND TRADE SECRET INFORMATION. THIS SHEET MAY NOT BE TRANSFERRED FROM THE CUSTODY OF THE COMPETENT DIVISION OF R&D DEPARTMENT EXCEPT AS AUTHORIZED BY COMPAL ELECTRONICS, INC. NEITHER THIS SHEET NOR THE INFORMATION IT CONTAINS MAY BE USED BY OR DISCLOSED TO ANY THIRD PARTY WITHOUT PRIOR WRITTEN CONSENT OF COMPAL ELECTRONICS, INC.				Document Number	Rev
				ICL50/ICK70 M/B LA-3551P Schematic	1
				Date: Thursday, April 19, 2007	Sheet 2 of 48

Voltage Rails

Power Plane	Description	S1	S3	S5
VIN	Adapter power supply (19V)	N/A	N/A	N/A
B+	AC or battery power rail for power circuit.	N/A	N/A	N/A
+CPU_CORE	Core voltage for CPU	ON	OFF	OFF
+0.9VS	0.9V switched power rail for DDR terminator	ON	OFF	OFF
+1.05VS	1.05V switched power rail	ON	OFF	OFF
+1.25VS	1.25V switched power rail	ON	OFF	OFF
+1.5VS	1.5V switched power rail	ON	OFF	OFF
+1.8V	1.8V power rail for DDR	ON	ON	OFF
+1.8VS	1.8V switched power rail	ON	OFF	OFF
+2.5VS	2.5V switched power rail	ON	OFF	OFF
+3VALW	3.3V always on power rail	ON	ON	ON*
+3V	3.3V power rail for SB	ON	ON	X
+3V_LAN	3.3V power rail for LAN	ON	ON	X
+3VS	3.3V switched power rail	ON	OFF	OFF
+5VALW	5V always on power rail	ON	ON	ON*
+5VS	5V switched power rail	ON	OFF	OFF
+VSB	VSB always on power rail	ON	ON	ON*
+RTCVCC	RTC power	ON	ON	ON

Note : ON* means that this power plane is ON only with AC power available, otherwise it is OFF.

External PCI Devices

Device	IDSEL#	REQ#/GNT#	Interrupts
1394/Card Reader	AD16	0	PIRQE PIRQG

EC SM Bus1 address

Device	Address
Smart Battery	0001 011X b
EEPROM(24C16/02)	1010 000X b
GMT G781-1	1001 101X b

EC SM Bus2 address

Device	Address
ADI ADM1032	1001 100X b

ICH8M SM Bus address

Device	Address
Clock Generator (ICS9LPRS365)	1101 001Xb
DDR DIMM0	1001 000Xb
DDR DIMM2	1001 010Xb

STATE	SIGNAL	SLP_S1#	SLP_S3#	SLP_S4#	SLP_S5#	+VALW	+V	+VS	Clock
Full ON		HIGH	HIGH	HIGH	HIGH	ON	ON	ON	ON
S1(Power On Suspend)		LOW	HIGH	HIGH	HIGH	ON	ON	ON	LOW
S3 (Suspend to RAM)		LOW	LOW	HIGH	HIGH	ON	ON	OFF	OFF
S4 (Suspend to Disk)		LOW	LOW	LOW	HIGH	ON	OFF	OFF	OFF
S5 (Soft OFF)		LOW	LOW	LOW	LOW	ON	OFF	OFF	OFF

Board ID / SKU ID Table for AD channel

Vcc	3.3V +/- 5%			
Ra/Rc/Re	100K +/- 5%			
Board ID	Rb / Rd / Rf	V _{AD_BID min}	V _{AD_BID typ}	V _{AD_BID max}
0	0	0 V	0 V	0 V
1	8.2K +/- 5%	0.216 V	0.250 V	0.289 V
2	18K +/- 5%	0.436 V	0.503 V	0.538 V
3	33K +/- 5%	0.712 V	0.819 V	0.875 V
4	56K +/- 5%	1.036 V	1.185 V	1.264 V
5	100K +/- 5%	1.453 V	1.650 V	1.759 V
6	200K +/- 5%	1.935 V	2.200 V	2.341 V
7	NC	2.500 V	3.300 V	3.300 V

BOARD ID Table

Board ID	PCB Revision
0	0.1
1	0.2
2	0.3
3	1.0
4	1A
5	
6	
7	

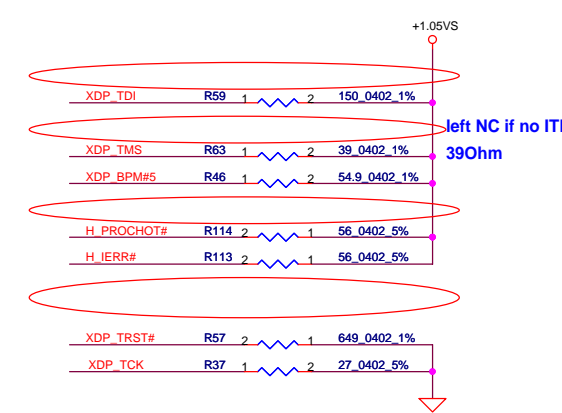
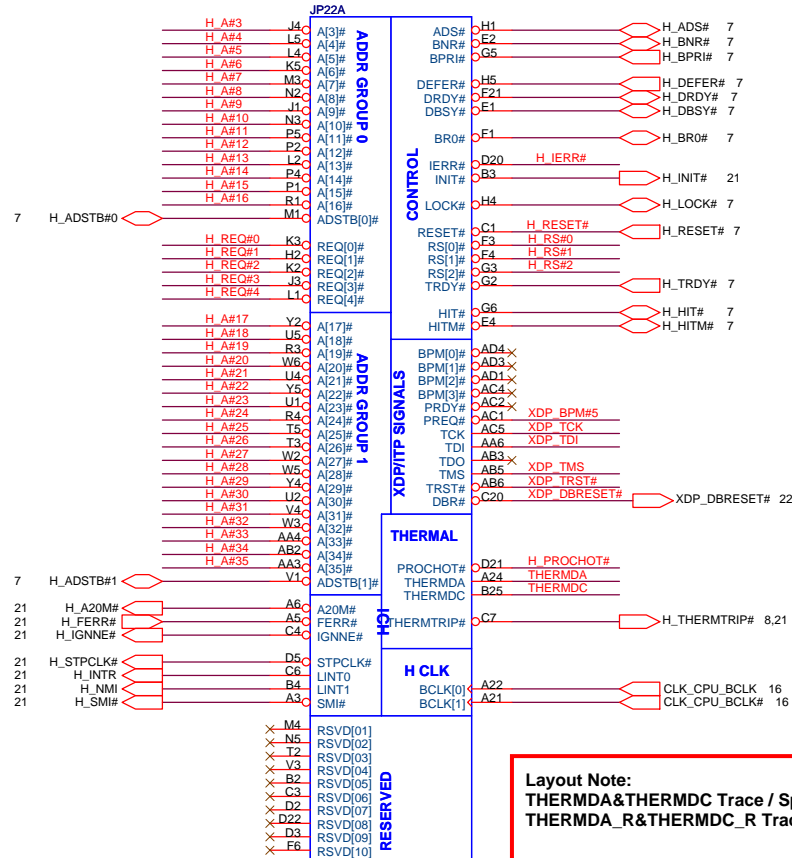
BTO Option Table

BTO Item	BOM Structure
Discrete	PM@
UMA	GM@

Security Classification	Compal Secret Data			Compal Electronics, Inc.	
Issued Date	2006/12/25	Deciphered Date	2007/12/25	Title	
THIS SHEET OF ENGINEERING DRAWING IS THE PROPRIETARY PROPERTY OF COMPAL ELECTRONICS, INC. AND CONTAINS CONFIDENTIAL AND TRADE SECRET INFORMATION. THIS SHEET MAY NOT BE TRANSFERRED FROM THE CUSTODY OF THE COMPETENT DIVISION OF R&D DEPARTMENT EXCEPT AS AUTHORIZED BY COMPAL ELECTRONICS, INC. NEITHER THIS SHEET NOR THE INFORMATION IT CONTAINS MAY BE USED BY OR DISCLOSED TO ANY THIRD PARTY WITHOUT PRIOR WRITTEN CONSENT OF COMPAL ELECTRONICS, INC.				Document Number	Rev
				ICL50/ICK70 M/B LA-3551P Schematic	
				Date: Monday, April 23, 2007	Sheet 3 of 48

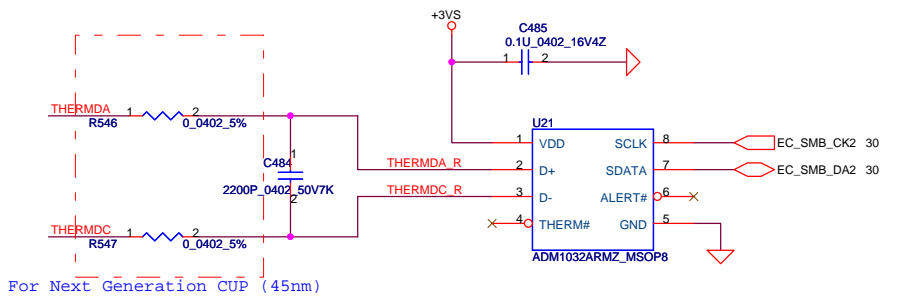
Notes List

- 7 H_A#[3..35] H_A#[3..35]
- 7 H_REQ#[0..4] H_REQ#[0..4]
- 7 H_RS#[0..2] H_RS#[0..2]

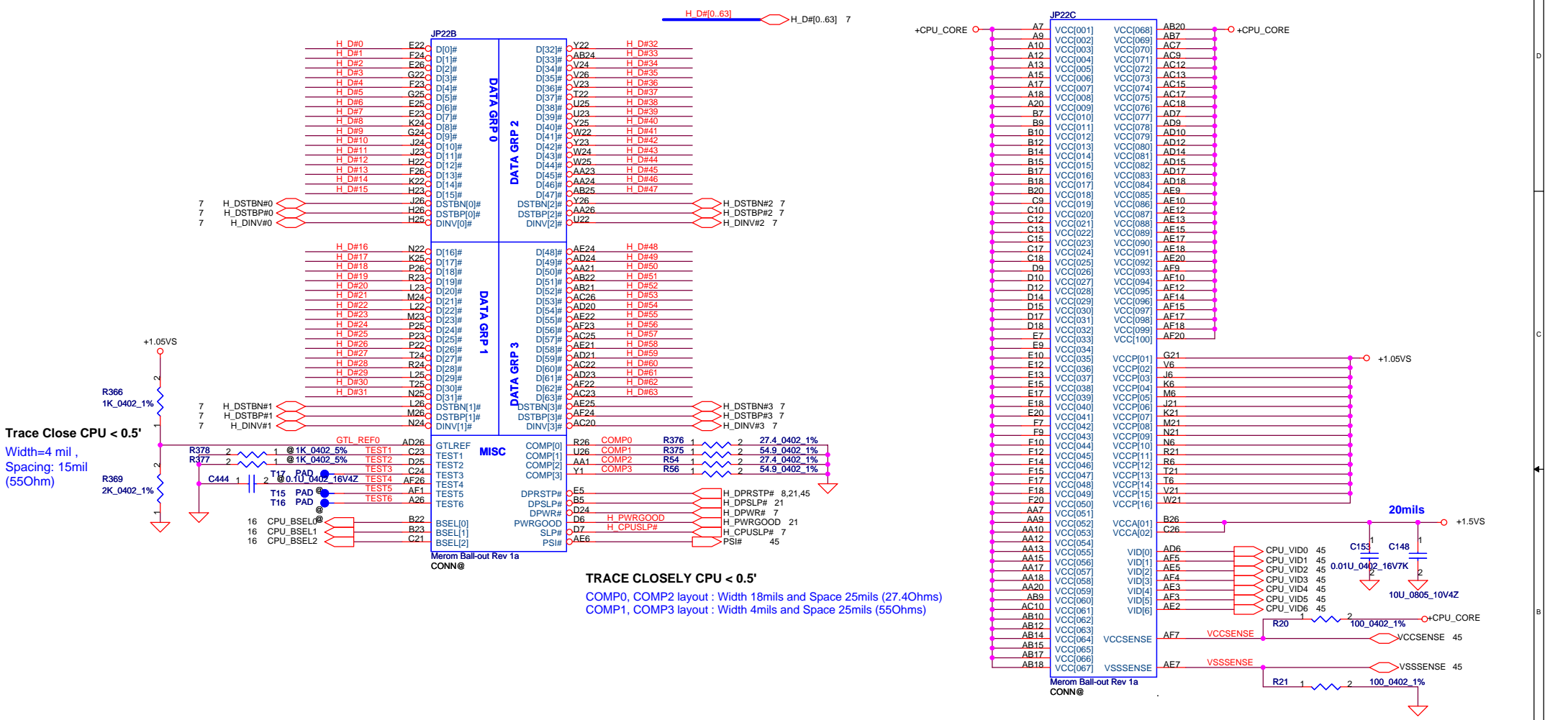


Layout Note:
 THERMDA&THERMDC Trace / Space = 10 / 10 mil
 THERMDA_R&THERMDC_R Trace / Space = 10 / 10 mil

BSEL2	BSEL1	BSEL0	BCLK
0	1	0	200
0	1	1	166



For Next Generation CUP (45nm)



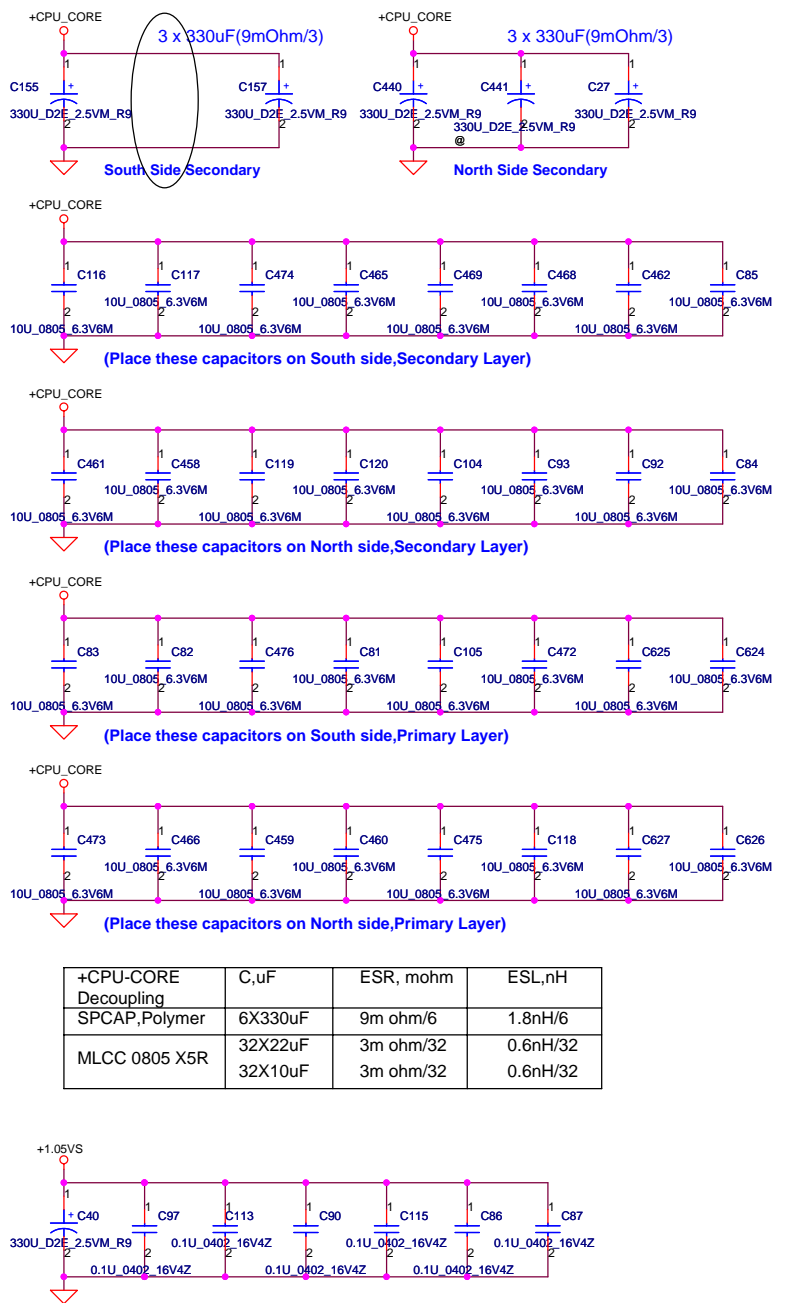
Trace Close CPU < 0.5'
 Width=4 mil,
 Spacing: 15mil
 (55Ohm)

TRACE CLOSELY CPU < 0.5'
 COMP0, COMP2 layout : Width 18mils and Space 25mils (27.4Ohms)
 COMP1, COMP3 layout : Width 4mils and Space 25mils (55Ohms)

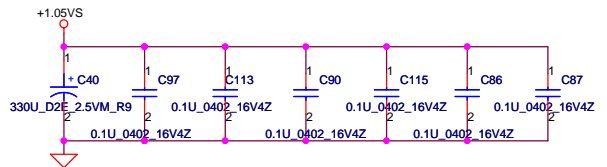
Security Classification		Compal Secret Data		Compal Electronics, Inc.	
Issued Date	2006/12/25	Deciphered Date	2007/12/25	Title	
				Merom (2/3)	
THIS SHEET OF ENGINEERING DRAWING IS THE PROPRIETARY PROPERTY OF COMPAL ELECTRONICS, INC. AND CONTAINS CONFIDENTIAL AND TRADE SECRET INFORMATION. THIS SHEET MAY NOT BE TRANSFERRED FROM THE CUSTODY OF THE COMPETENT DIVISION OF R&D DEPARTMENT EXCEPT AS AUTHORIZED BY COMPAL ELECTRONICS, INC. NEITHER THIS SHEET NOR THE INFORMATION IT CONTAINS MAY BE USED BY OR DISCLOSED TO ANY THIRD PARTY WITHOUT PRIOR WRITTEN CONSENT OF COMPAL ELECTRONICS, INC.					
Document Number	ICL50/ICK70 M/B LA-3551P Schematic				Rev
Date:	Monday, April 23, 2007	Sheet	5	of	48

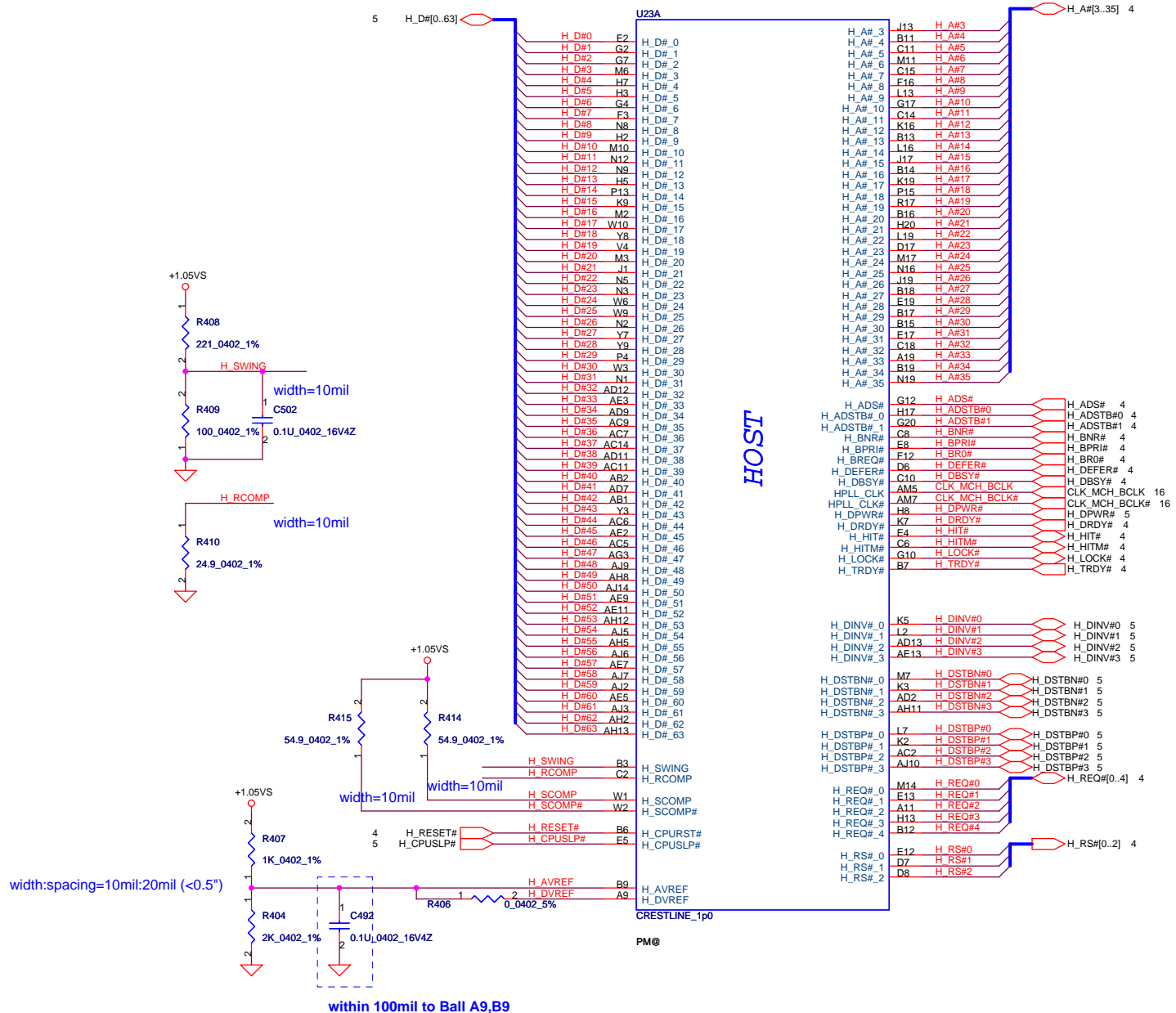
JP22D		
A4	VSS[001]	VSS[082]
A8	VSS[002]	VSS[083]
A11	VSS[003]	VSS[084]
A14	VSS[004]	VSS[085]
A16	VSS[005]	VSS[086]
A19	VSS[006]	VSS[087]
A23	VSS[007]	VSS[088]
AF2	VSS[008]	VSS[089]
B6	VSS[009]	VSS[090]
B8	VSS[010]	VSS[091]
B11	VSS[011]	VSS[092]
B13	VSS[012]	VSS[093]
B16	VSS[013]	VSS[094]
B19	VSS[014]	VSS[095]
B21	VSS[015]	VSS[096]
B24	VSS[016]	VSS[097]
C5	VSS[017]	VSS[098]
C8	VSS[018]	VSS[099]
C11	VSS[019]	VSS[100]
C14	VSS[020]	VSS[101]
C16	VSS[021]	VSS[102]
C19	VSS[022]	VSS[103]
C2	VSS[023]	VSS[104]
C22	VSS[024]	VSS[105]
C25	VSS[025]	VSS[106]
D1	VSS[026]	VSS[107]
D4	VSS[027]	VSS[108]
D8	VSS[028]	VSS[109]
D11	VSS[029]	VSS[110]
D13	VSS[030]	VSS[111]
D16	VSS[031]	VSS[112]
D19	VSS[032]	VSS[113]
D23	VSS[033]	VSS[114]
D26	VSS[034]	VSS[115]
E3	VSS[035]	VSS[116]
E6	VSS[036]	VSS[117]
E8	VSS[037]	VSS[118]
E11	VSS[038]	VSS[119]
E14	VSS[039]	VSS[120]
E16	VSS[040]	VSS[121]
E19	VSS[041]	VSS[122]
E21	VSS[042]	VSS[123]
E24	VSS[043]	VSS[124]
F5	VSS[044]	VSS[125]
F8	VSS[045]	VSS[126]
F11	VSS[046]	VSS[127]
F13	VSS[047]	VSS[128]
F16	VSS[048]	VSS[129]
F19	VSS[049]	VSS[130]
F2	VSS[050]	VSS[131]
F22	VSS[051]	VSS[132]
F25	VSS[052]	VSS[133]
G4	VSS[053]	VSS[134]
G1	VSS[054]	VSS[135]
G23	VSS[055]	VSS[136]
G26	VSS[056]	VSS[137]
H3	VSS[057]	VSS[138]
H6	VSS[058]	VSS[139]
H21	VSS[059]	VSS[140]
H24	VSS[060]	VSS[141]
J2	VSS[061]	VSS[142]
J22	VSS[062]	VSS[143]
J25	VSS[063]	VSS[144]
J25	VSS[064]	VSS[145]
K1	VSS[065]	VSS[146]
K4	VSS[066]	VSS[147]
K23	VSS[067]	VSS[148]
K26	VSS[068]	VSS[149]
L3	VSS[069]	VSS[150]
L6	VSS[070]	VSS[151]
L21	VSS[071]	VSS[152]
L24	VSS[072]	VSS[153]
M2	VSS[073]	VSS[154]
M5	VSS[074]	VSS[155]
M22	VSS[075]	VSS[156]
M25	VSS[076]	VSS[157]
N1	VSS[077]	VSS[158]
N4	VSS[078]	VSS[159]
N23	VSS[079]	VSS[160]
N26	VSS[080]	VSS[161]
P3	VSS[081]	VSS[162]
		VSS[163]

Merom Ball-out Rev 1a
CONN@

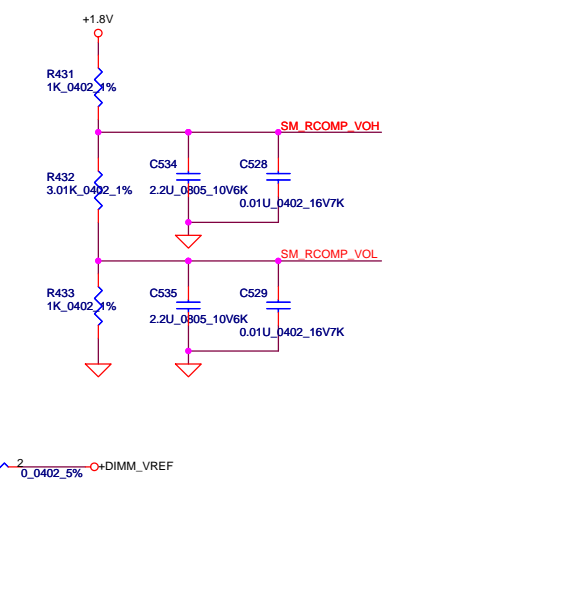
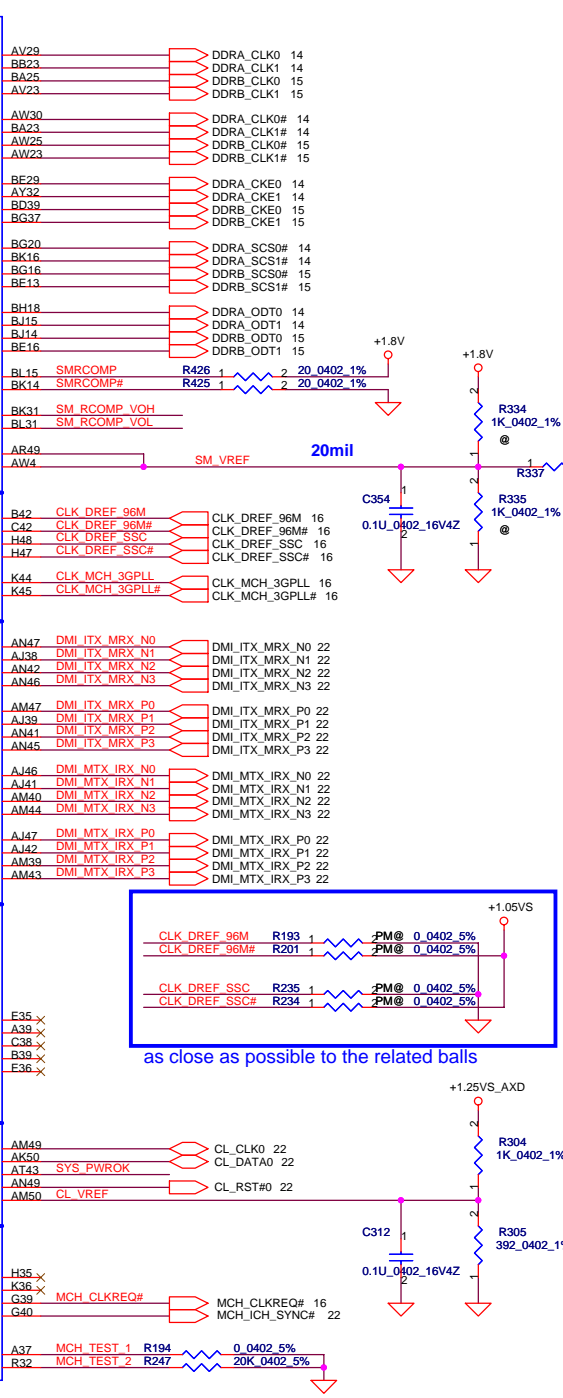
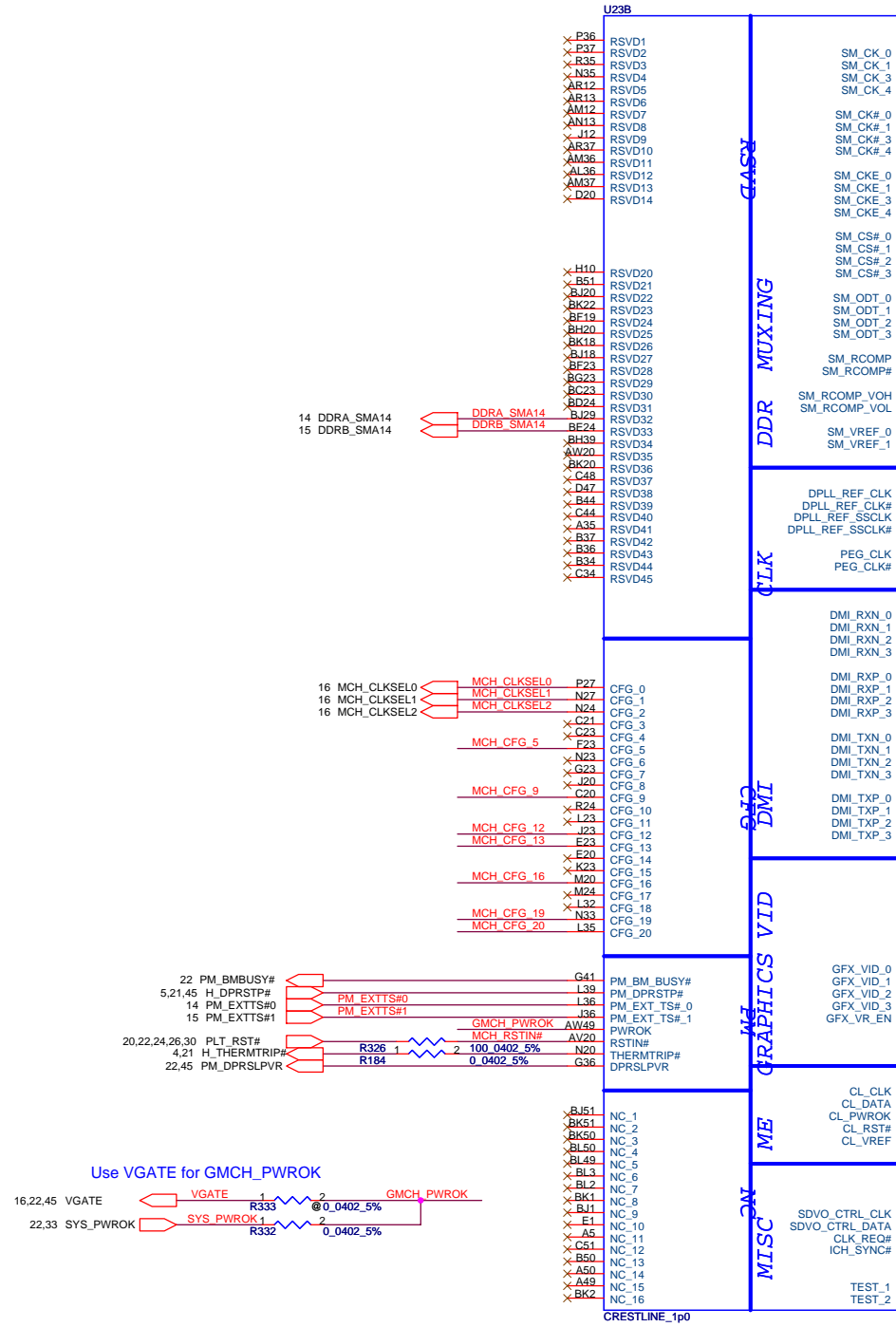


+CPU-CORE Decoupling	C, uF	ESR, mohm	ESL, nH
SPCAP, Polymer	6X330uF	9m ohm/6	1.8nH/6
MLCC 0805 X5R	32X22uF	3m ohm/32	0.6nH/32
	32X10uF	3m ohm/32	0.6nH/32



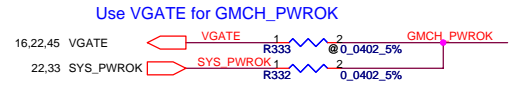
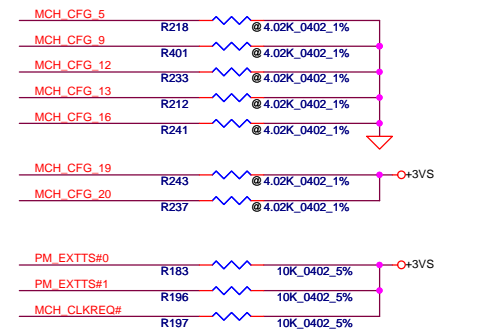
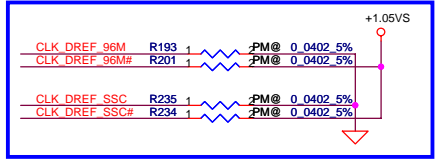


Security Classification		Compal Secret Data		Compal Electronics, Inc.	
Issued Date	2006/12/25	Deciphered Date	2007/12/25	Title	
THIS SHEET OF ENGINEERING DRAWING IS THE PROPRIETARY PROPERTY OF COMPAL ELECTRONICS, INC. AND CONTAINS CONFIDENTIAL AND TRADE SECRET INFORMATION. THIS SHEET MAY NOT BE TRANSFERRED FROM THE CUSTODY OF THE COMPETENT DIVISION OF R&D DEPARTMENT EXCEPT AS AUTHORIZED BY COMPAL ELECTRONICS, INC. NEITHER THIS SHEET NOR THE INFORMATION IT CONTAINS MAY BE USED BY OR DISCLOSED TO ANY THIRD PARTY WITHOUT PRIOR WRITTEN CONSENT OF COMPAL ELECTRONICS, INC.				Document Number	Rev
				ICL50/ICK70 M/B LA-3551P Schematic	
				Date	Monday, April 23, 2007
				Sheet	7 of 48



Strap Pin Table

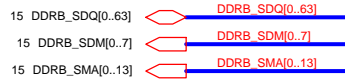
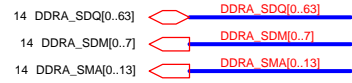
CFG[2:0]	011 = 667MT/s FSB 010 = 800MT/s FSB
CFG5	0 = DMI x 2 1 = DMI x 4 * (Default)
CFG9	0 = Lane Reversal Enable 1 = Normal Operation * (Default)
CFG[13:12]	00 = Reserved 01 = XOR Mode Enabled 10 = All Z Mode Enabled 11 = Normal Operation * (Default)
CFG16	0 = Dynamic ODT Disabled 1 = Dynamic ODT Enabled * (Default)
CFG19	0 = Normal Operation * (Default) 1 = DMI Lane Reversal Enable
CFG20 (PCIe/SDVO select)	0 = Only PCIe or SDVO is operational. * (Default) 1 = PCIe/SDVO are operating simu.
SDVO_CTRLDATA	0 = No SDVO Device Present * (Default) 1 = SDVO Device Present



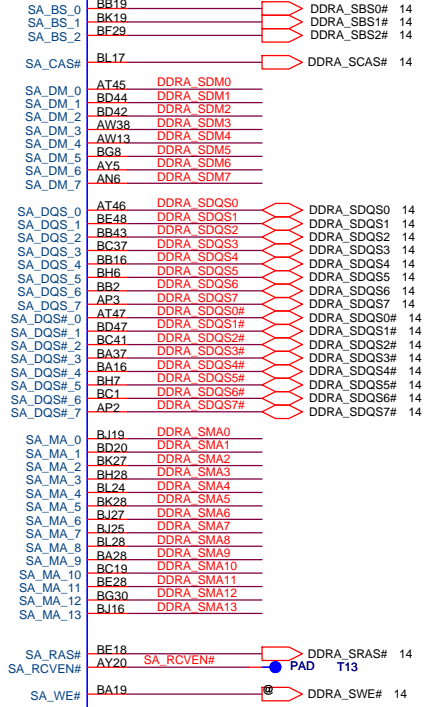
Security Classification	Compal Secret Data	
Issued Date	2006/12/25	Deciphered Date
		2007/12/25

THIS SHEET OF ENGINEERING DRAWING IS THE PROPRIETARY PROPERTY OF COMPAL ELECTRONICS, INC. AND CONTAINS CONFIDENTIAL AND TRADE SECRET INFORMATION. THIS SHEET MAY NOT BE TRANSFERRED FROM THE CUSTODY OF THE COMPETENT DIVISION OF RESEARCH AND DEVELOPMENT DEPARTMENT EXCEPT AS AUTHORIZED BY COMPAL ELECTRONICS, INC. NEITHER THIS SHEET NOR THE INFORMATION IT CONTAINS MAY BE USED BY OR DISCLOSED TO ANY THIRD PARTY WITHOUT PRIOR WRITTEN CONSENT OF COMPAL ELECTRONICS, INC.

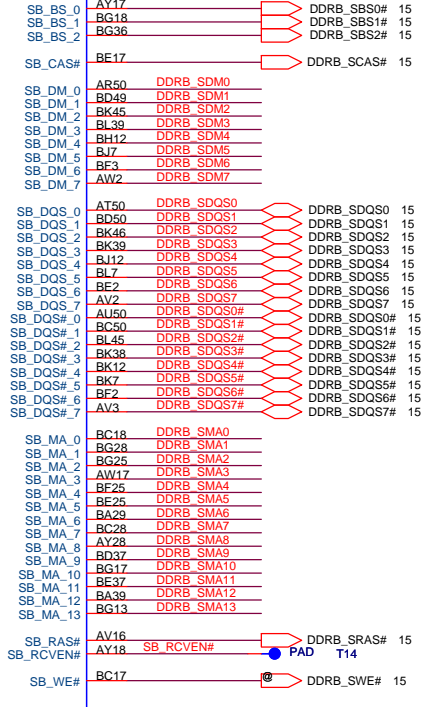
Compal Electronics, Inc.	
Crestline GMCH (2/7)-DMI/DDR	
Title	Document Number
	ICL50/ICK70 M/B LA-3551P Schematic
Date:	Monday, April 23, 2007
Sheet	8 of 48



DDR SYSTEM MEMORY A



DDR SYSTEM MEMORY B



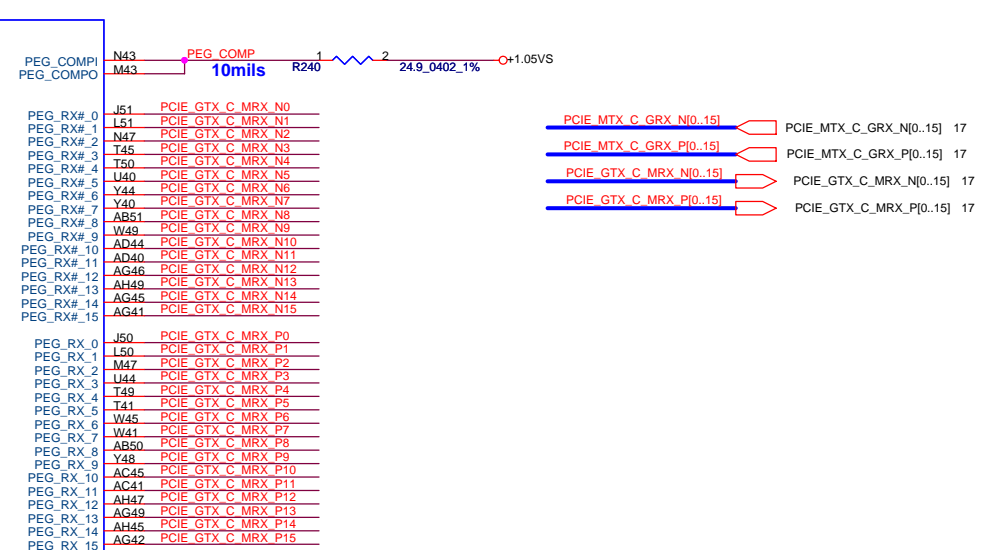
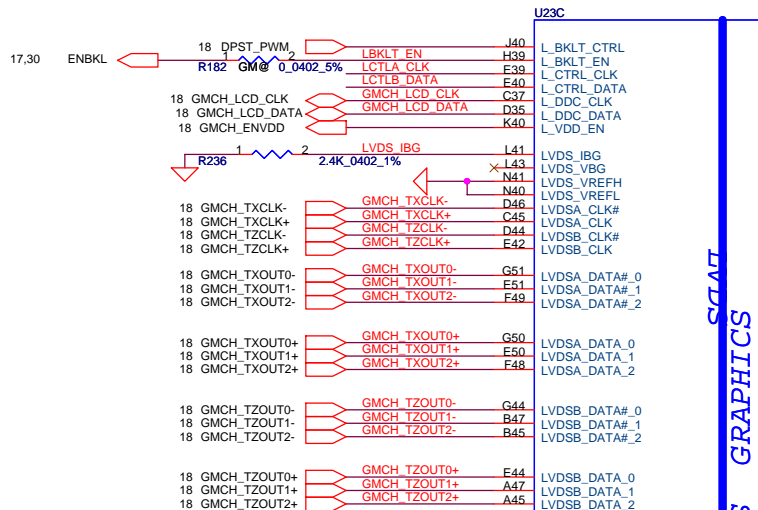
CRESTLINE_1p0

CRESTLINE_1p0

PM@

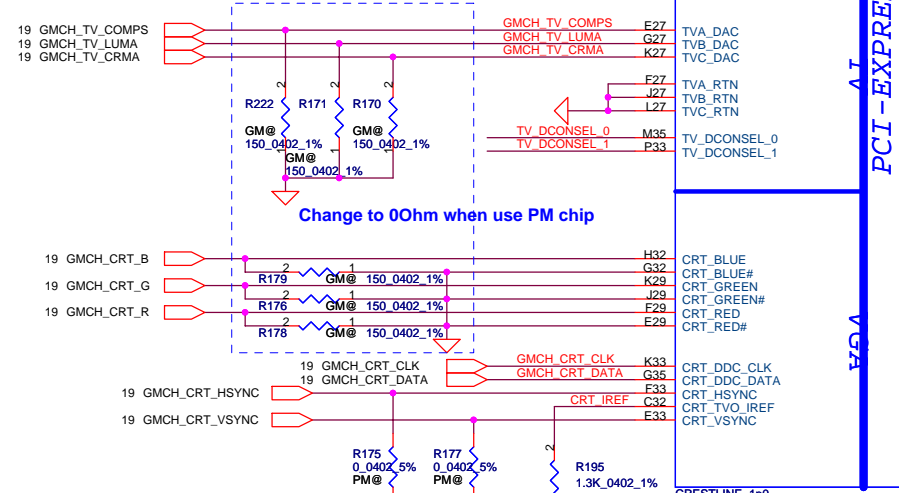
PM@

Security Classification		Compal Secret Data		Compal Electronics, Inc.	
Issued Date	2006/12/25	Deciphered Date	2007/12/25	Title	
THIS SHEET OF ENGINEERING DRAWING IS THE PROPRIETARY PROPERTY OF COMPAL ELECTRONICS, INC. AND CONTAINS CONFIDENTIAL AND TRADE SECRET INFORMATION. THIS SHEET MAY NOT BE TRANSFERRED FROM THE CUSTODY OF THE COMPETENT DIVISION OF R&D DEPARTMENT EXCEPT AS AUTHORIZED BY COMPAL ELECTRONICS, INC. NEITHER THIS SHEET NOR THE INFORMATION IT CONTAINS MAY BE USED BY OR DISCLOSED TO ANY THIRD PARTY WITHOUT PRIOR WRITTEN CONSENT OF COMPAL ELECTRONICS, INC.				Document Number	Rev
				ICL50/ICK70 M/B LA-3551P Schematic	
Date:	Monday, April 23, 2007	Sheet	9	of	48

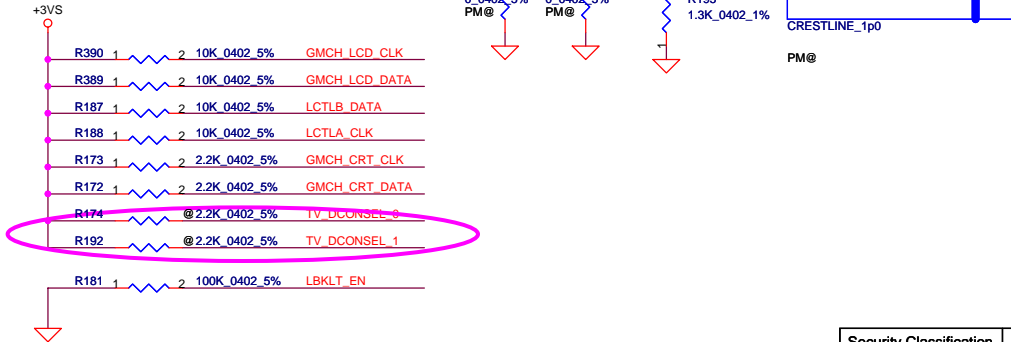


- PCIE_MTX_C_GRX_N[0..15] 17
- PCIE_MTX_C_GRX_P[0..15] 17
- PCIE_GTX_C_MRX_N[0..15] 17
- PCIE_GTX_C_MRX_P[0..15] 17

STAT
PCI-EXPRESS
GRAPHICS

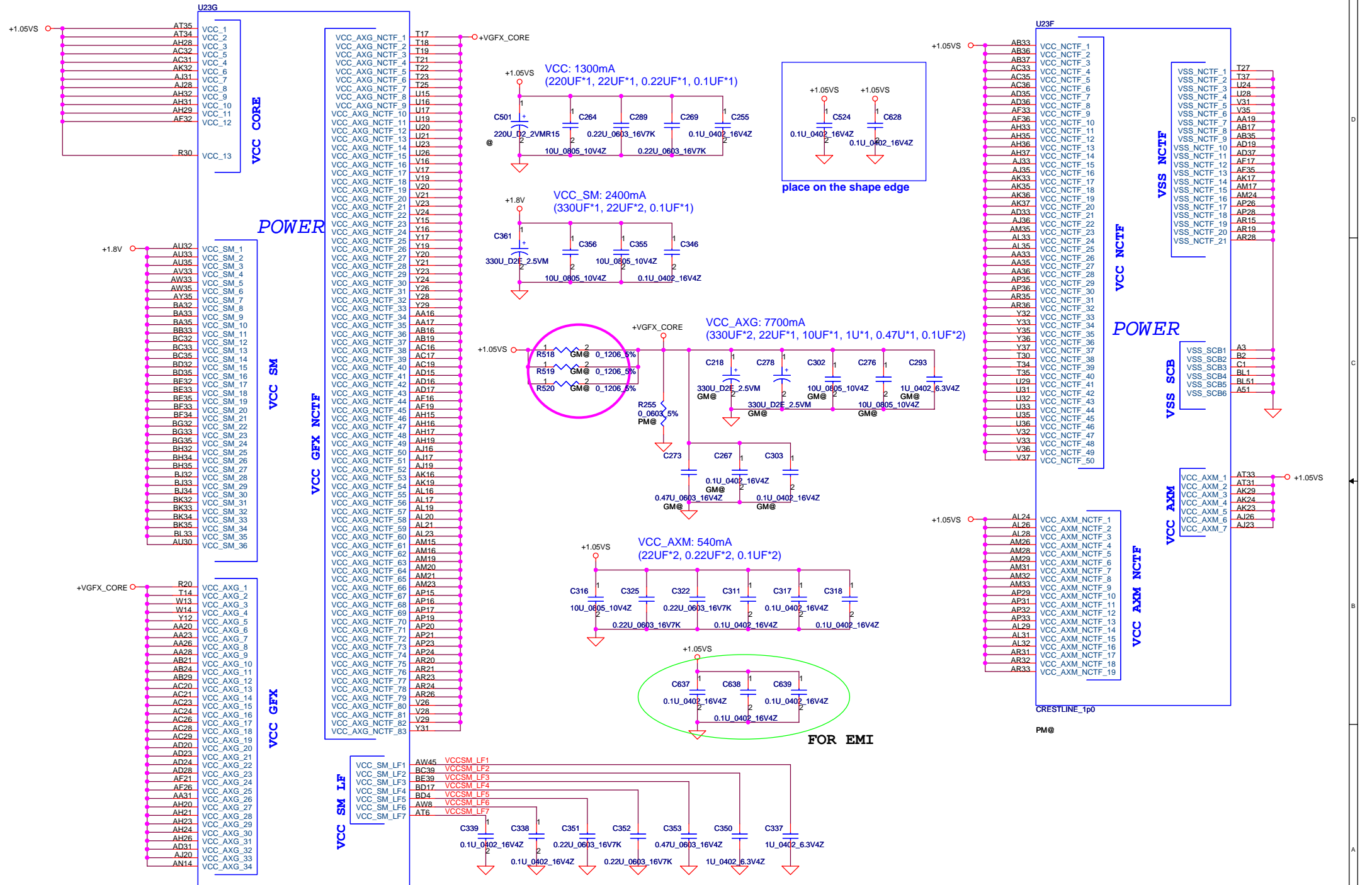


Change to 00hm when use PM chip

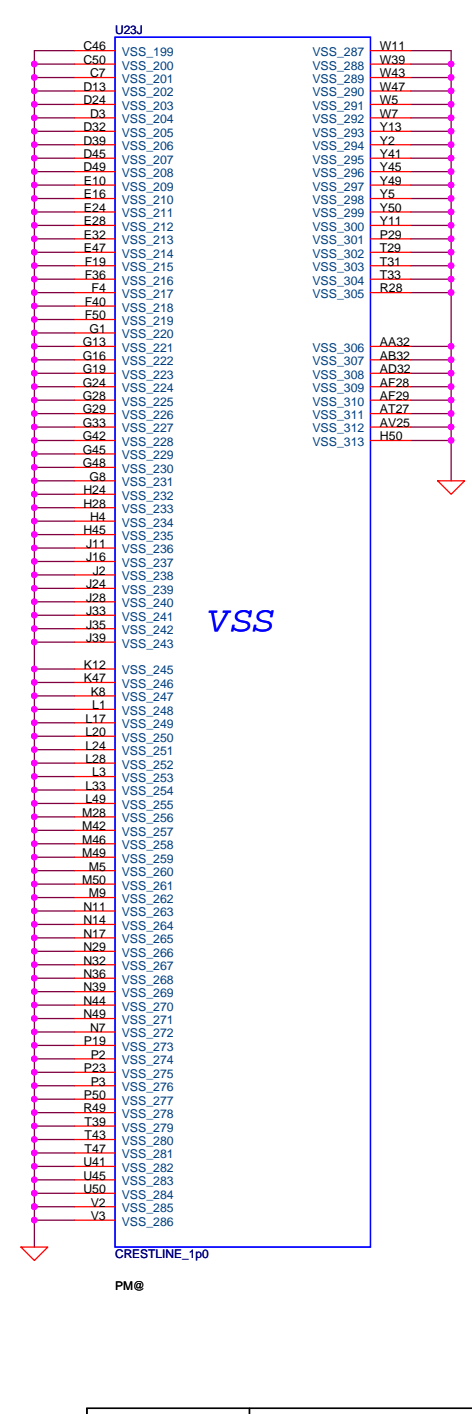
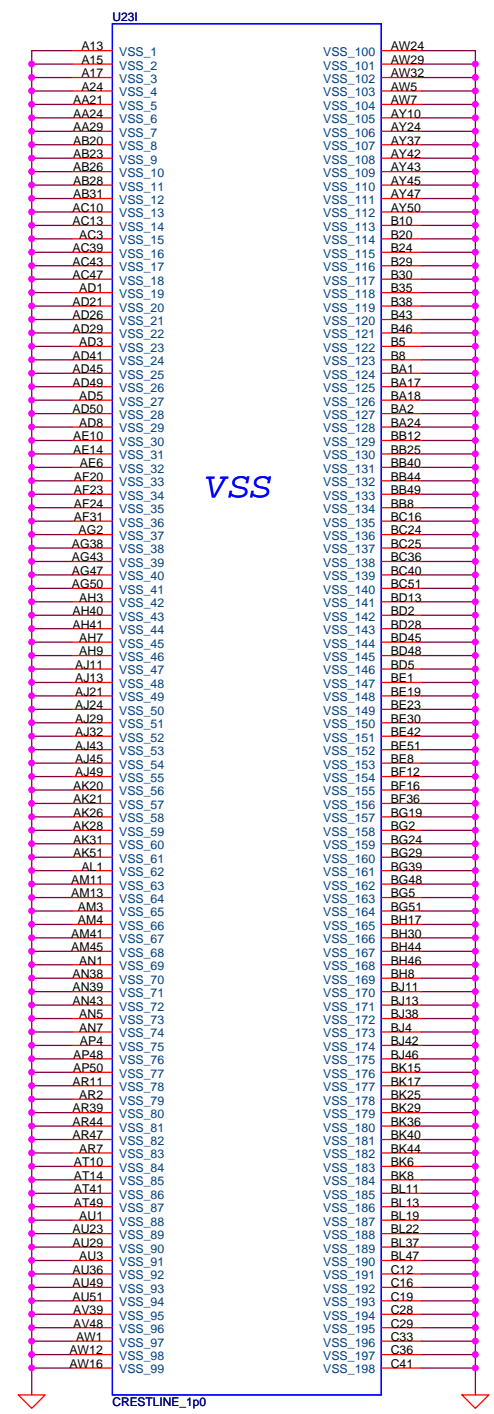


PEG_RX#_0	J51	PCIE GTX C MRX N0					
PEG_RX#_1	L51	PCIE GTX C MRX N1					
PEG_RX#_2	N45	PCIE GTX C MRX N2					
PEG_RX#_3	T45	PCIE GTX C MRX N3					
PEG_RX#_4	T50	PCIE GTX C MRX N4					
PEG_RX#_5	U40	PCIE GTX C MRX N5					
PEG_RX#_6	Y44	PCIE GTX C MRX N6					
PEG_RX#_7	Y40	PCIE GTX C MRX N7					
PEG_RX#_8	AB51	PCIE GTX C MRX N8					
PEG_RX#_9	W49	PCIE GTX C MRX N9					
PEG_RX#_10	AD44	PCIE GTX C MRX N10					
PEG_RX#_11	AD40	PCIE GTX C MRX N11					
PEG_RX#_12	AG46	PCIE GTX C MRX N12					
PEG_RX#_13	AH49	PCIE GTX C MRX N13					
PEG_RX#_14	AG45	PCIE GTX C MRX N14					
PEG_RX#_15	AG41	PCIE GTX C MRX N15					
PEG_RX_0	J50	PCIE GTX C MRX P0					
PEG_RX_1	L50	PCIE GTX C MRX P1					
PEG_RX_2	M47	PCIE GTX C MRX P2					
PEG_RX_3	U44	PCIE GTX C MRX P3					
PEG_RX_4	T49	PCIE GTX C MRX P4					
PEG_RX_5	T41	PCIE GTX C MRX P5					
PEG_RX_6	W45	PCIE GTX C MRX P6					
PEG_RX_7	W41	PCIE GTX C MRX P7					
PEG_RX_8	AB50	PCIE GTX C MRX P8					
PEG_RX_9	Y48	PCIE GTX C MRX P9					
PEG_RX_10	AC45	PCIE GTX C MRX P10					
PEG_RX_11	AC41	PCIE GTX C MRX P11					
PEG_RX_12	AH47	PCIE GTX C MRX P12					
PEG_RX_13	AG49	PCIE GTX C MRX P13					
PEG_RX_14	AH45	PCIE GTX C MRX P14					
PEG_RX_15	AG42	PCIE GTX C MRX P15					
PEG_TX#_0	N45	PCIE MTX GRX N0	C179	1	2	PM@ 0.1U_0402_16V7K	PCIE_MTX_C_GRX_N0
PEG_TX#_1	U39	PCIE MTX GRX N1	C188	1	2	PM@ 0.1U_0402_16V7K	PCIE_MTX_C_GRX_N1
PEG_TX#_2	U47	PCIE MTX GRX N2	C195	1	2	PM@ 0.1U_0402_16V7K	PCIE_MTX_C_GRX_N2
PEG_TX#_3	N51	PCIE MTX GRX N3	C201	1	2	PM@ 0.1U_0402_16V7K	PCIE_MTX_C_GRX_N3
PEG_TX#_4	R50	PCIE MTX GRX N4	C212	1	2	PM@ 0.1U_0402_16V7K	PCIE_MTX_C_GRX_N4
PEG_TX#_5	T42	PCIE MTX GRX N5	C217	1	2	PM@ 0.1U_0402_16V7K	PCIE_MTX_C_GRX_N5
PEG_TX#_6	W48	PCIE MTX GRX N6	C229	1	2	PM@ 0.1U_0402_16V7K	PCIE_MTX_C_GRX_N6
PEG_TX#_7	W38	PCIE MTX GRX N7	C240	1	2	PM@ 0.1U_0402_16V7K	PCIE_MTX_C_GRX_N7
PEG_TX#_8	AD39	PCIE MTX GRX N8	C246	1	2	PM@ 0.1U_0402_16V7K	PCIE_MTX_C_GRX_N8
PEG_TX#_9	AC46	PCIE MTX GRX N9	C252	1	2	PM@ 0.1U_0402_16V7K	PCIE_MTX_C_GRX_N9
PEG_TX#_10	AC42	PCIE MTX GRX N10	C261	1	2	PM@ 0.1U_0402_16V7K	PCIE_MTX_C_GRX_N10
PEG_TX#_11	AC49	PCIE MTX GRX N11	C270	1	2	PM@ 0.1U_0402_16V7K	PCIE_MTX_C_GRX_N11
PEG_TX#_12	AC42	PCIE MTX GRX N12	C277	1	2	PM@ 0.1U_0402_16V7K	PCIE_MTX_C_GRX_N12
PEG_TX#_13	AH39	PCIE MTX GRX N13	C285	1	2	PM@ 0.1U_0402_16V7K	PCIE_MTX_C_GRX_N13
PEG_TX#_14	AE49	PCIE MTX GRX N14	C296	1	2	PM@ 0.1U_0402_16V7K	PCIE_MTX_C_GRX_N14
PEG_TX#_15	AH44	PCIE MTX GRX N15	C304	1	2	PM@ 0.1U_0402_16V7K	PCIE_MTX_C_GRX_N15
PEG_TX_0	M45	PCIE MTX GRX P0	C176	1	2	PM@ 0.1U_0402_16V7K	PCIE_MTX_C_GRX_P0
PEG_TX_1	T38	PCIE MTX GRX P1	C180	1	2	PM@ 0.1U_0402_16V7K	PCIE_MTX_C_GRX_P1
PEG_TX_2	T46	PCIE MTX GRX P2	C189	1	2	PM@ 0.1U_0402_16V7K	PCIE_MTX_C_GRX_P2
PEG_TX_3	N50	PCIE MTX GRX P3	C198	1	2	PM@ 0.1U_0402_16V7K	PCIE_MTX_C_GRX_P3
PEG_TX_4	R51	PCIE MTX GRX P4	C204	1	2	PM@ 0.1U_0402_16V7K	PCIE_MTX_C_GRX_P4
PEG_TX_5	U43	PCIE MTX GRX P5	C214	1	2	PM@ 0.1U_0402_16V7K	PCIE_MTX_C_GRX_P5
PEG_TX_6	W42	PCIE MTX GRX P6	C219	1	2	PM@ 0.1U_0402_16V7K	PCIE_MTX_C_GRX_P6
PEG_TX_7	Y47	PCIE MTX GRX P7	C232	1	2	PM@ 0.1U_0402_16V7K	PCIE_MTX_C_GRX_P7
PEG_TX_8	Y39	PCIE MTX GRX P8	C241	1	2	PM@ 0.1U_0402_16V7K	PCIE_MTX_C_GRX_P8
PEG_TX_9	AC38	PCIE MTX GRX P9	C248	1	2	PM@ 0.1U_0402_16V7K	PCIE_MTX_C_GRX_P9
PEG_TX_10	AC50	PCIE MTX GRX P10	C253	1	2	PM@ 0.1U_0402_16V7K	PCIE_MTX_C_GRX_P10
PEG_TX_11	AC50	PCIE MTX GRX P11	C263	1	2	PM@ 0.1U_0402_16V7K	PCIE_MTX_C_GRX_P11
PEG_TX_12	AD43	PCIE MTX GRX P12	C272	1	2	PM@ 0.1U_0402_16V7K	PCIE_MTX_C_GRX_P12
PEG_TX_13	AG39	PCIE MTX GRX P13	C283	1	2	PM@ 0.1U_0402_16V7K	PCIE_MTX_C_GRX_P13
PEG_TX_14	AE50	PCIE MTX GRX P14	C288	1	2	PM@ 0.1U_0402_16V7K	PCIE_MTX_C_GRX_P14
PEG_TX_15	AH43	PCIE MTX GRX P15	C297	1	2	PM@ 0.1U_0402_16V7K	PCIE_MTX_C_GRX_P15

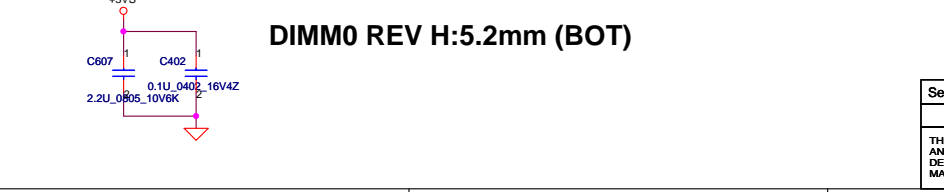
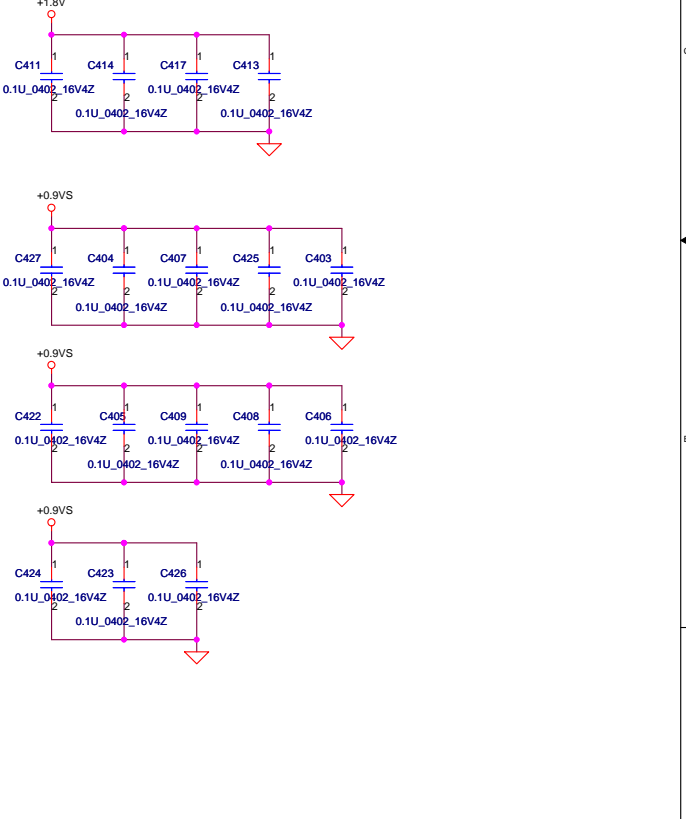
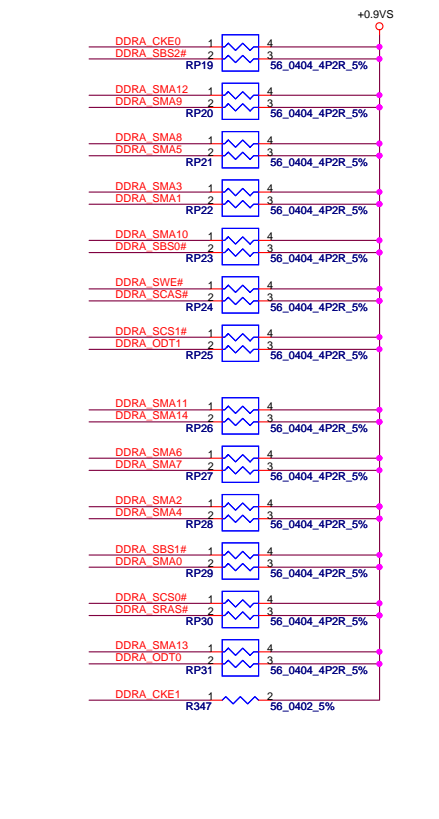
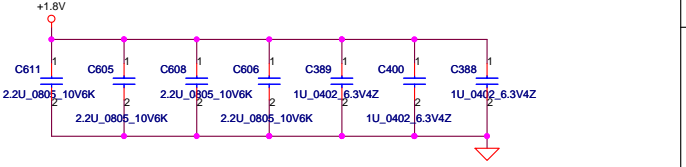
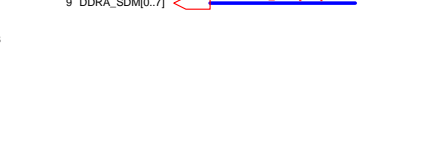
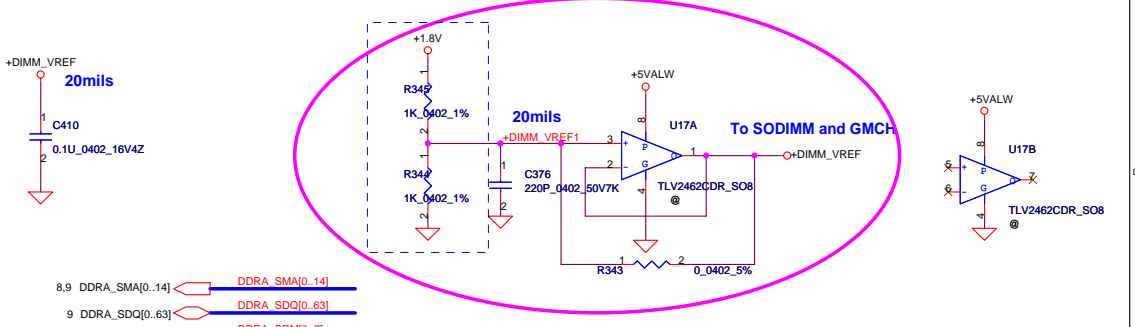
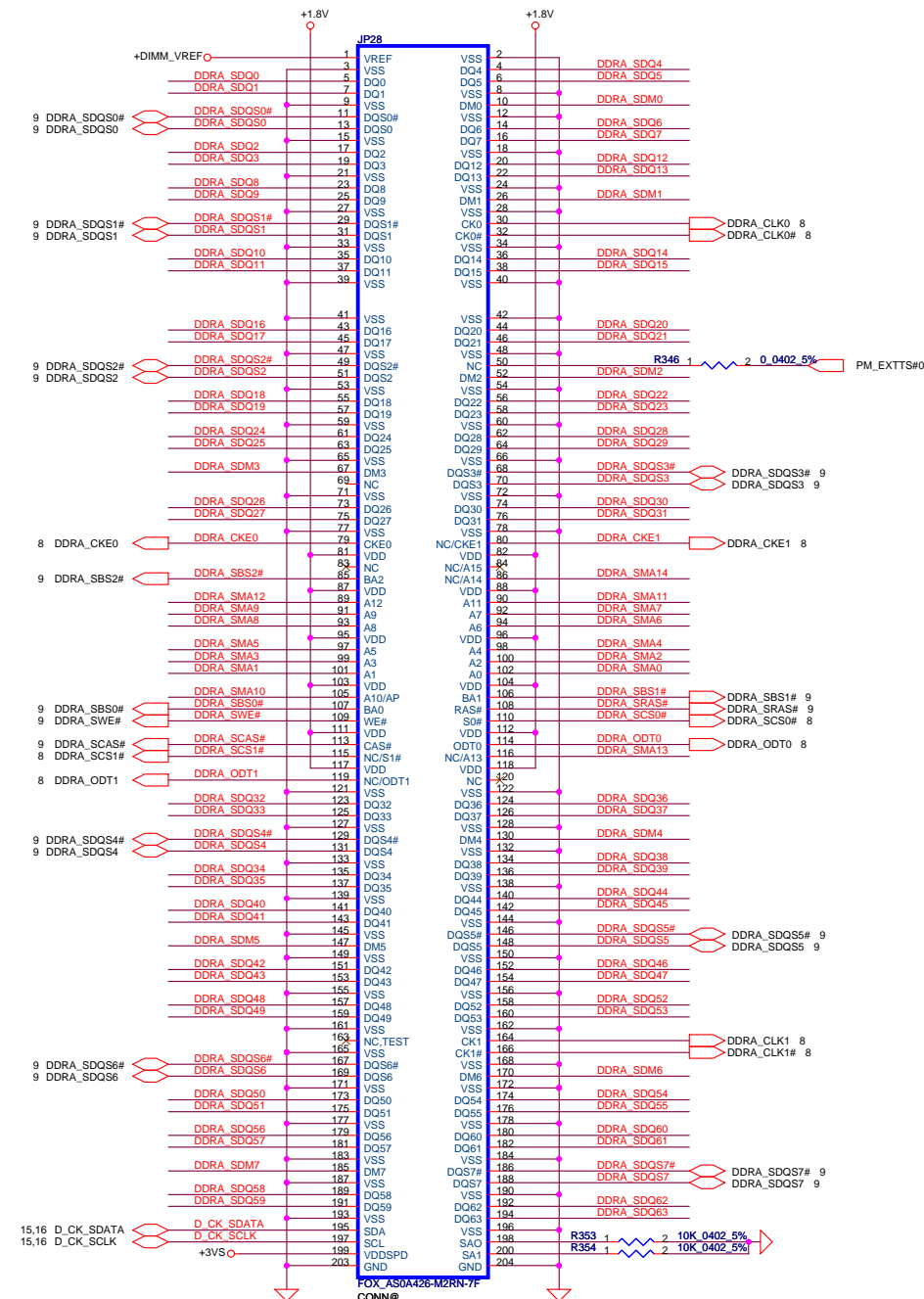
Security Classification		Compal Secret Data		Title		Compal Electronics, Inc.	
Issued Date	2006/12/25	Deciphered Date	2007/12/25	Crestline GMCH (4/7)-VGA/LVDS/TV			
THIS SHEET OF ENGINEERING DRAWING IS THE PROPRIETARY PROPERTY OF COMPAL ELECTRONICS, INC. AND CONTAINS CONFIDENTIAL AND TRADE SECRET INFORMATION. THIS SHEET MAY NOT BE TRANSFERRED FROM THE CUSTODY OF THE COMPETENT DIVISION OF R&D DEPARTMENT EXCEPT AS AUTHORIZED BY COMPAL ELECTRONICS, INC. NEITHER THIS SHEET NOR THE INFORMATION IT CONTAINS MAY BE USED BY OR DISCLOSED TO ANY THIRD PARTY WITHOUT PRIOR WRITTEN CONSENT OF COMPAL ELECTRONICS, INC.							
Date:	Monday, April 23, 2007	Sheet	10	of	48	Rev	



Security Classification		Compal Secret Data		Compal Electronics, Inc.	
Issued Date	2006/12/25	Deciphered Date	2007/1/2/25	Title	
THIS SHEET OF ENGINEERING DRAWING IS THE PROPRIETARY PROPERTY OF COMPAL ELECTRONICS, INC. AND CONTAINS CONFIDENTIAL AND TRADE SECRET INFORMATION. THIS SHEET MAY NOT BE TRANSFERRED FROM THE CUSTODY OF THE COMPETENT DIVISION OF R&D DEPARTMENT EXCEPT AS AUTHORIZED BY COMPAL ELECTRONICS, INC. NEITHER THIS SHEET NOR THE INFORMATION IT CONTAINS MAY BE USED BY OR DISCLOSED TO ANY THIRD PARTY WITHOUT PRIOR WRITTEN CONSENT OF COMPAL ELECTRONICS, INC.				Crestline GMCH (5/7)-VCC	
Date: Monday, April 23, 2007		Sheet 11 of 48		Rev	

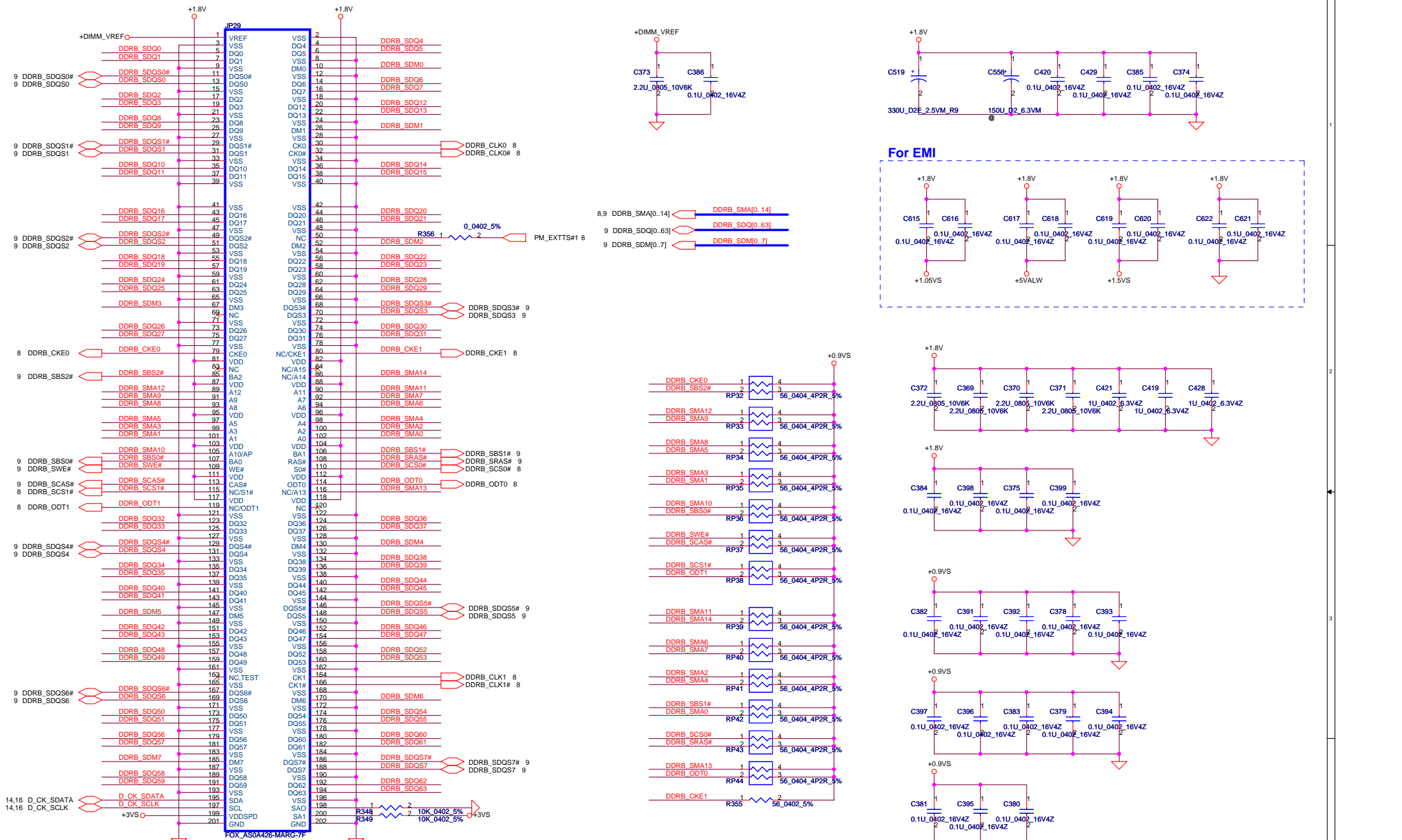


Security Classification		Compal Secret Data		Title	
Issued Date	2006/12/25	Deciphered Date	2007/12/25	Compal Electronics, Inc.	
THIS SHEET OF ENGINEERING DRAWING IS THE PROPRIETARY PROPERTY OF COMPAL ELECTRONICS, INC. AND CONTAINS CONFIDENTIAL AND TRADE SECRET INFORMATION. THIS SHEET MAY NOT BE TRANSFERRED FROM THE CUSTODY OF THE COMPETENT DIVISION OF R&D DEPARTMENT EXCEPT AS AUTHORIZED BY COMPAL ELECTRONICS, INC. NEITHER THIS SHEET NOR THE INFORMATION IT CONTAINS MAY BE USED BY OR DISCLOSED TO ANY THIRD PARTY WITHOUT PRIOR WRITTEN CONSENT OF COMPAL ELECTRONICS, INC.				Document Number	Rev
				ICL50/ICK70 M/B LA-3551P Schematic	
Date:	Monday, April 23, 2007	Sheet	13	of 48	

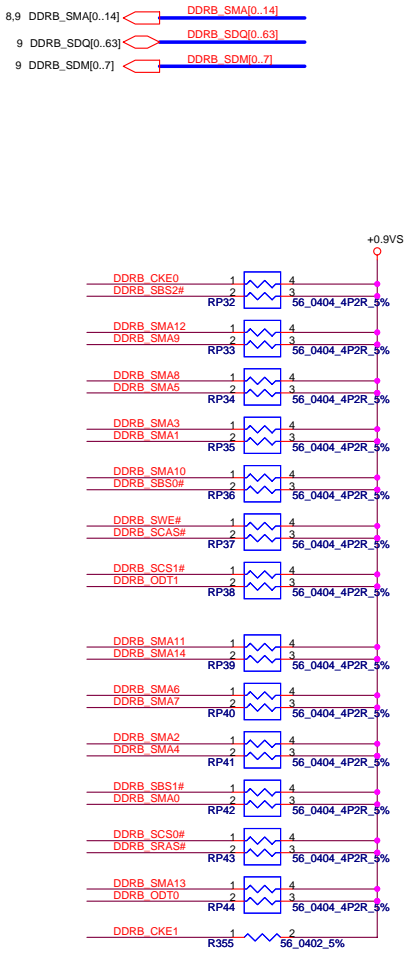
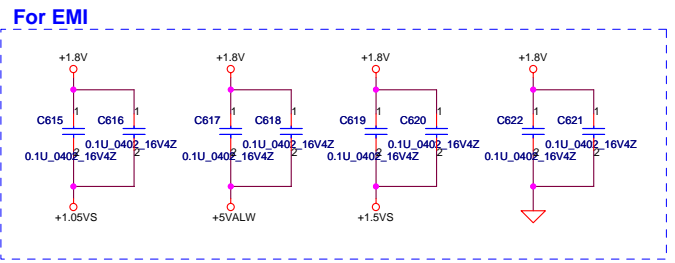


DIMM0 REV H:5.2mm (BOT)

Security Classification	Compal Secret Data		Title	
Issued Date	2006/12/25	Deciphered Date	2007/12/25	Document Number
THIS SHEET OF ENGINEERING DRAWING IS THE PROPRIETARY PROPERTY OF COMPAL ELECTRONICS, INC. AND CONTAINS CONFIDENTIAL AND TRADE SECRET INFORMATION. THIS SHEET MAY NOT BE TRANSFERRED FROM THE CUSTODY OF THE COMPETENT DIVISION OF R&D DEPARTMENT EXCEPT AS AUTHORIZED BY COMPAL ELECTRONICS, INC. NEITHER THIS SHEET NOR THE INFORMATION IT CONTAINS MAY BE USED BY OR DISCLOSED TO ANY THIRD PARTY WITHOUT PRIOR WRITTEN CONSENT OF COMPAL ELECTRONICS, INC.				Rev
ICL50/ICK70 M/B LA-3551P Schematic				Monday, April 23, 2007



DIMM1 REV H:9.2mm (BOT)



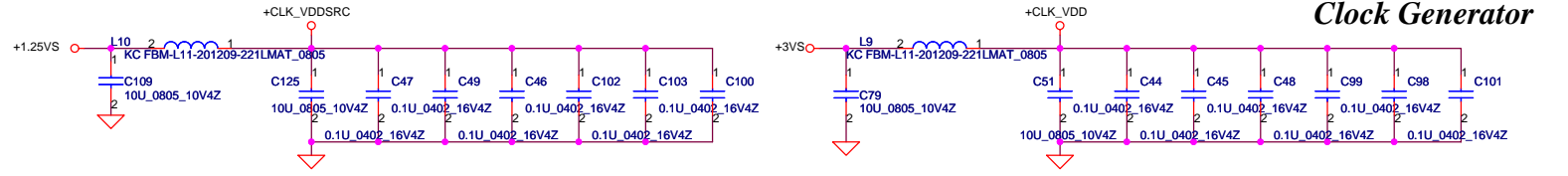
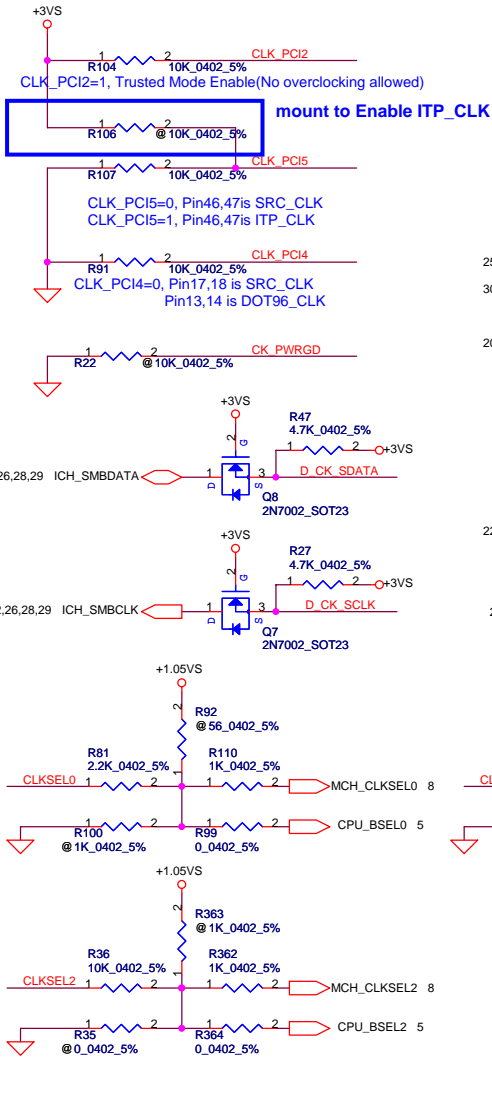
Security Classification	Compal Secret Data		Title	Compal Electronics, Inc.	
Issued Date	2006/12/25	Deciphered Date	2007/12/25	DDRII-SODIMM1	
THIS SHEET OF ENGINEERING DRAWING IS THE PROPRIETARY PROPERTY OF COMPAL ELECTRONICS, INC. AND CONTAINS CONFIDENTIAL AND TRADE SECRET INFORMATION. THIS SHEET MAY NOT BE TRANSFERRED FROM THE CUSTODY OF THE COMPETENT DIVISION OF R&D DEPARTMENT EXCEPT AS AUTHORIZED BY COMPAL ELECTRONICS, INC. NEITHER THIS SHEET NOR THE INFORMATION IT CONTAINS MAY BE USED BY OR DISCLOSED TO ANY THIRD PARTY WITHOUT PRIOR WRITTEN CONSENT OF COMPAL ELECTRONICS, INC.					
Date:	Monday, April 23, 2007		Document Number	ICL50/ICK70 M/B LA-3551P Schematic	
			Rev	15 of 48	

FSLC	FSLB	FSLA	CPU MHz	SRC MHz	PCI MHz
0	1	0	200	100	33.3
0	1	1	166	100	33.3

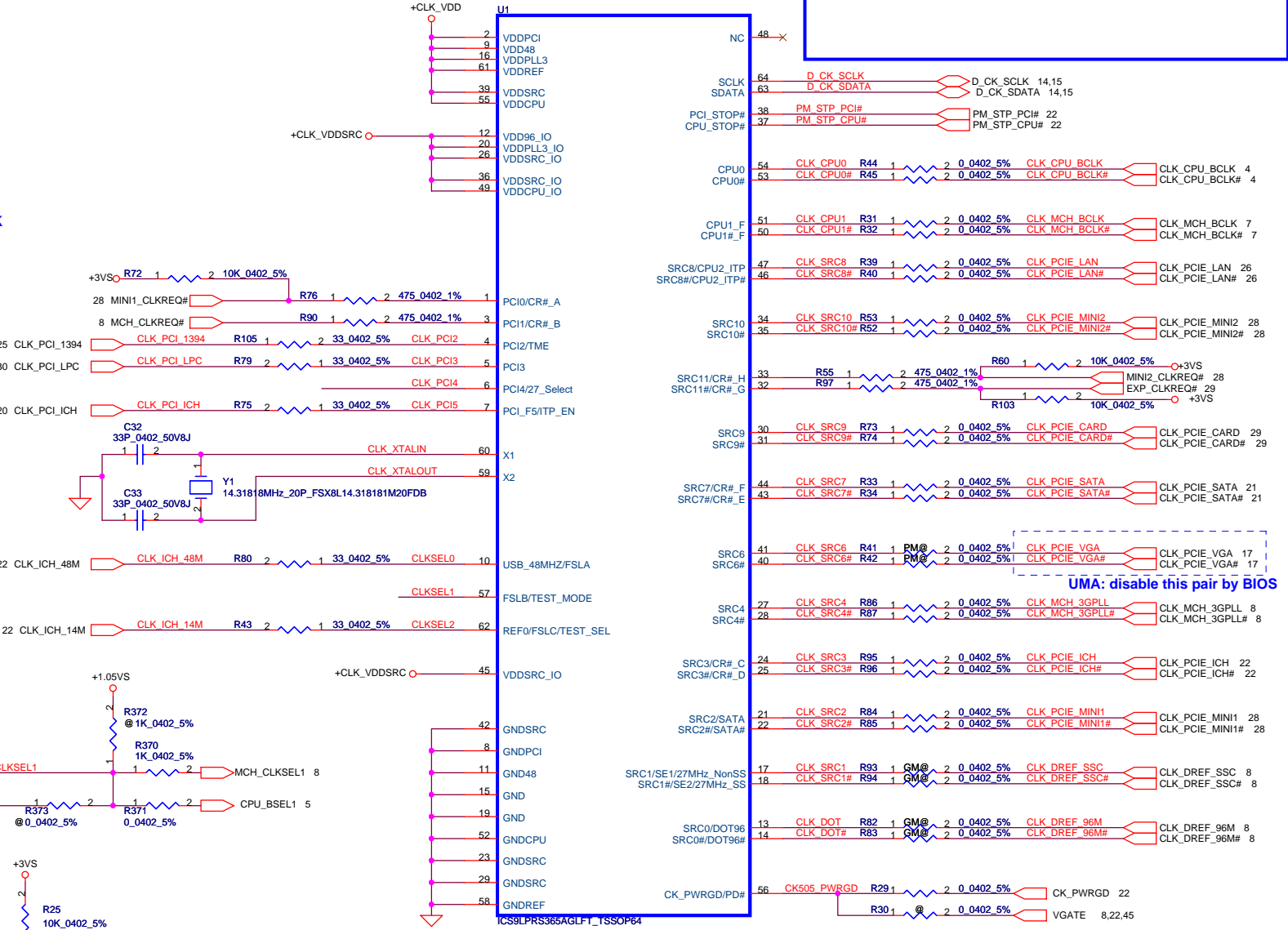
Table : ICS9LPR365

CLK_REQ#	Control	Free-Run
CR#_A(WLAN)	PCIEX2	PCIEX0
CR#_B(MCH)	PCIEX4	PCIEX1
CR#_G(NEW CARD)	PCIEX9	
CR#_H(MINI CARDII)	PCIEX10	

SRC6(VGA_CLK): Discrete VGA[Enable] UMA[Disable]



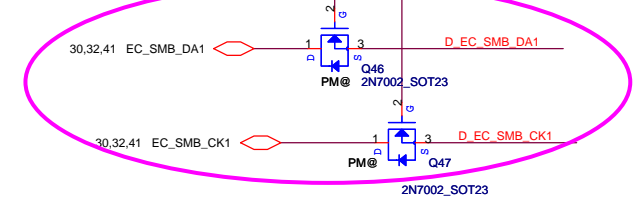
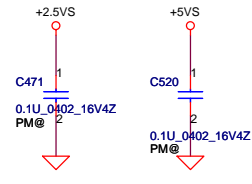
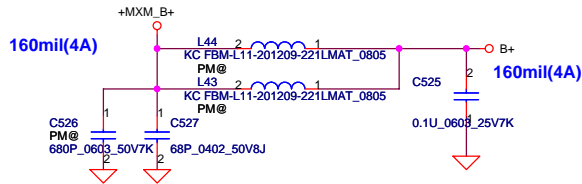
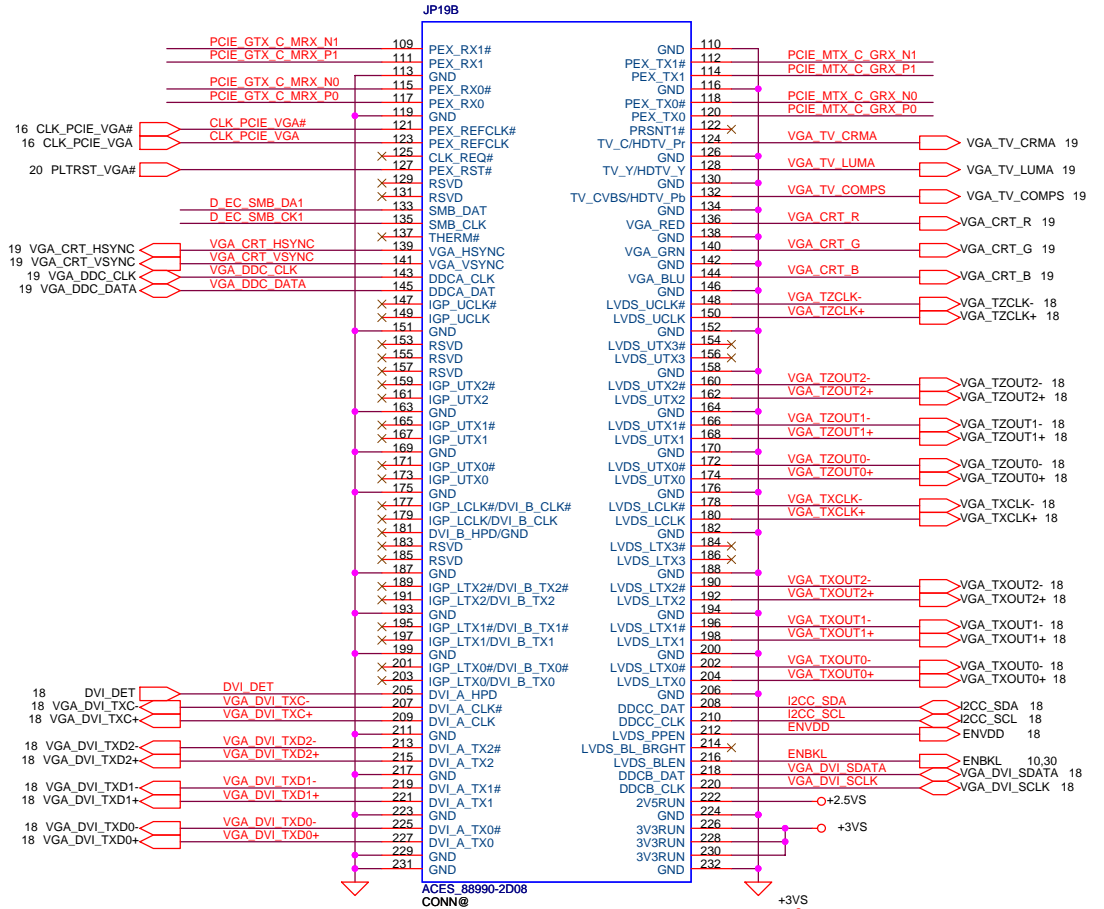
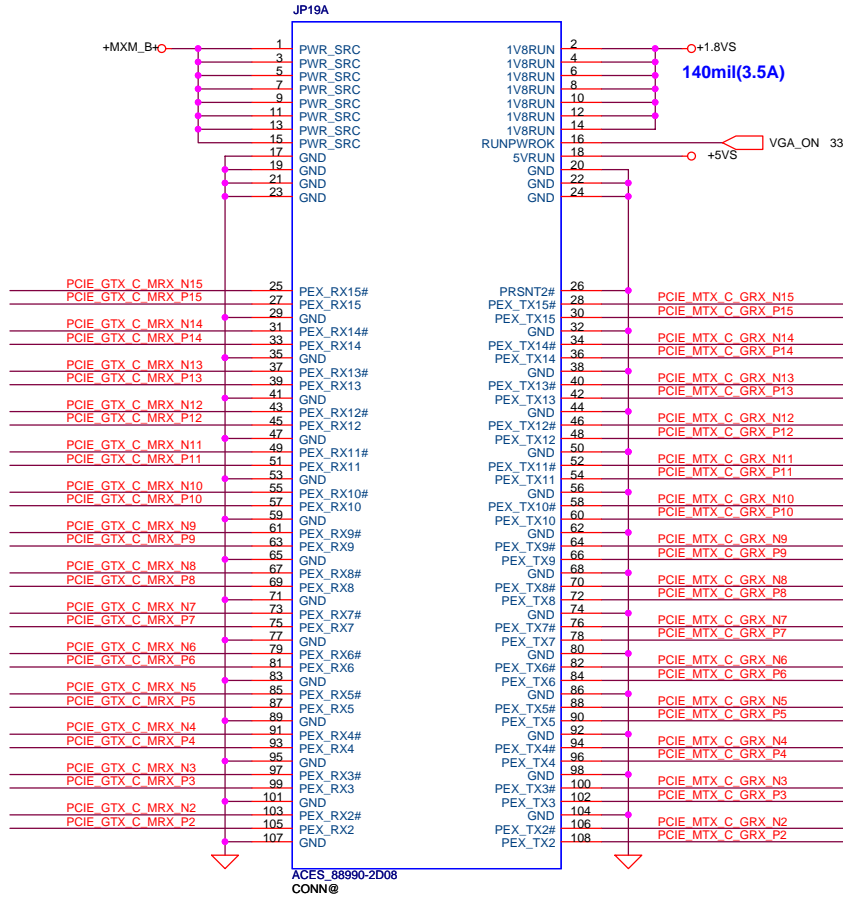
Clock Generator



UMA: disable this pair by BIOS

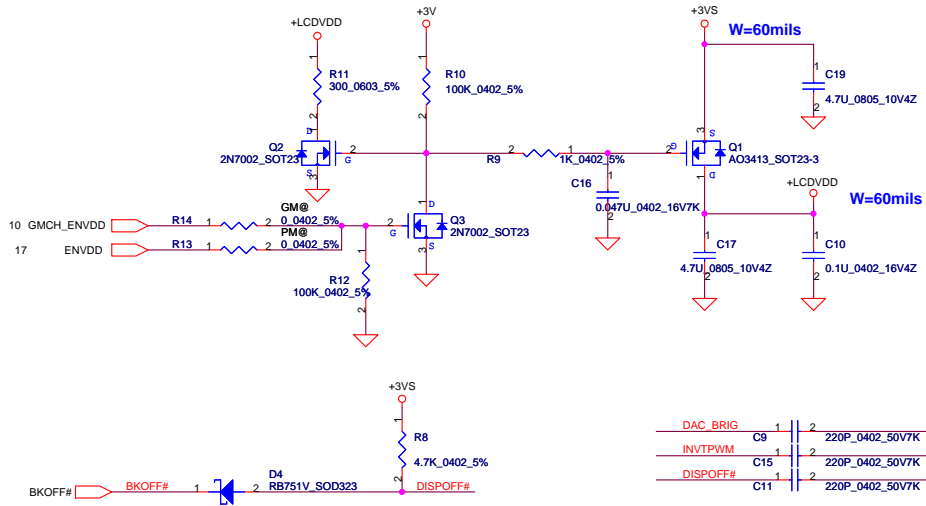
Security Classification		Compal Secret Data		Compal Electronics, Inc.	
Issued Date	2006/12/25	Deciphered Date	2007/12/25	Title	
THIS SHEET OF ENGINEERING DRAWING IS THE PROPRIETARY PROPERTY OF COMPAL ELECTRONICS, INC. AND CONTAINS CONFIDENTIAL AND TRADE SECRET INFORMATION. THIS SHEET MAY NOT BE TRANSFERRED FROM THE CUSTODY OF THE COMPETENT DIVISION OF R&D DEPARTMENT EXCEPT AS AUTHORIZED BY COMPAL ELECTRONICS, INC. NEITHER THIS SHEET NOR THE INFORMATION IT CONTAINS MAY BE USED BY OR DISCLOSED TO ANY THIRD PARTY WITHOUT PRIOR WRITTEN CONSENT OF COMPAL ELECTRONICS, INC.				Document Number	Rev
				ICL50/ICK70 M/B LA-3551P Schematiff	
Date:	Monday, April 23, 2007	Sheet	16	of	48

- 10 PCIE_MTX_C_GRX_N[0..15] PCIE_MTX_C_GRX_N[0..15]
- 10 PCIE_MTX_C_GRX_P[0..15] PCIE_MTX_C_GRX_P[0..15]
- 10 PCIE_GTX_C_MRX_N[0..15] PCIE_GTX_C_MRX_N[0..15]
- 10 PCIE_GTX_C_MRX_P[0..15] PCIE_GTX_C_MRX_P[0..15]

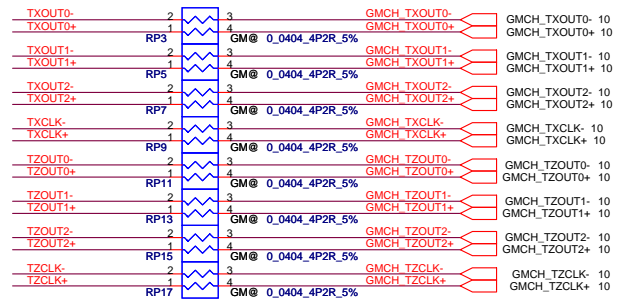
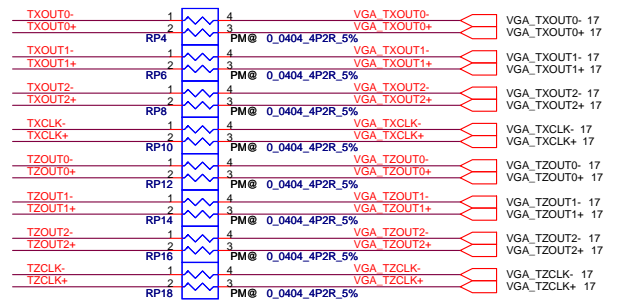
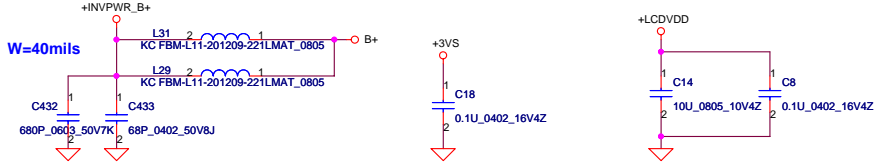
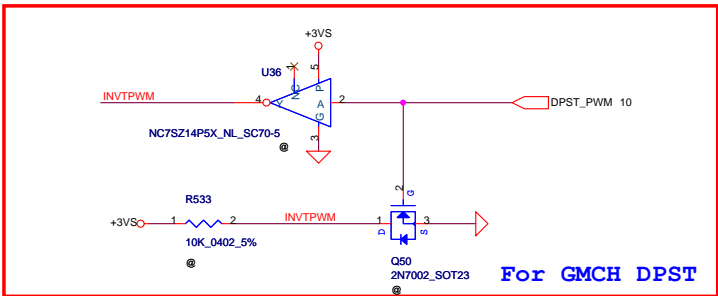
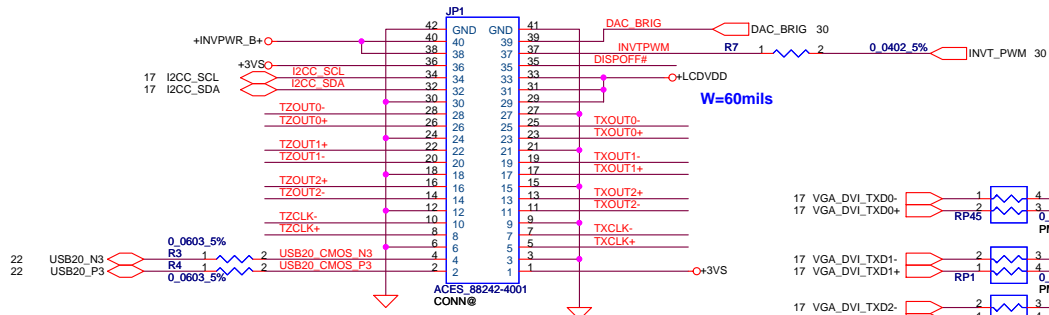


Security Classification		Compal Secret Data		Compal Electronics, Inc.	
Issued Date	2006/12/25	Deciphered Date	2007/12/25	Title	
THIS SHEET OF ENGINEERING DRAWING IS THE PROPRIETARY PROPERTY OF COMPAL ELECTRONICS, INC. AND CONTAINS CONFIDENTIAL AND TRADE SECRET INFORMATION. THIS SHEET MAY NOT BE TRANSFERRED FROM THE CUSTODY OF THE COMPETENT DIVISION OF R&D DEPARTMENT EXCEPT AS AUTHORIZED BY COMPAL ELECTRONICS, INC. NEITHER THIS SHEET NOR THE INFORMATION IT CONTAINS MAY BE USED BY OR DISCLOSED TO ANY THIRD PARTY WITHOUT PRIOR WRITTEN CONSENT OF COMPAL ELECTRONICS, INC.				Document Number	Rev
				ICL50/ICK70 M/B LA-3551P Schematic	
Date:	Monday, April 23, 2007	Sheet	17	of	48

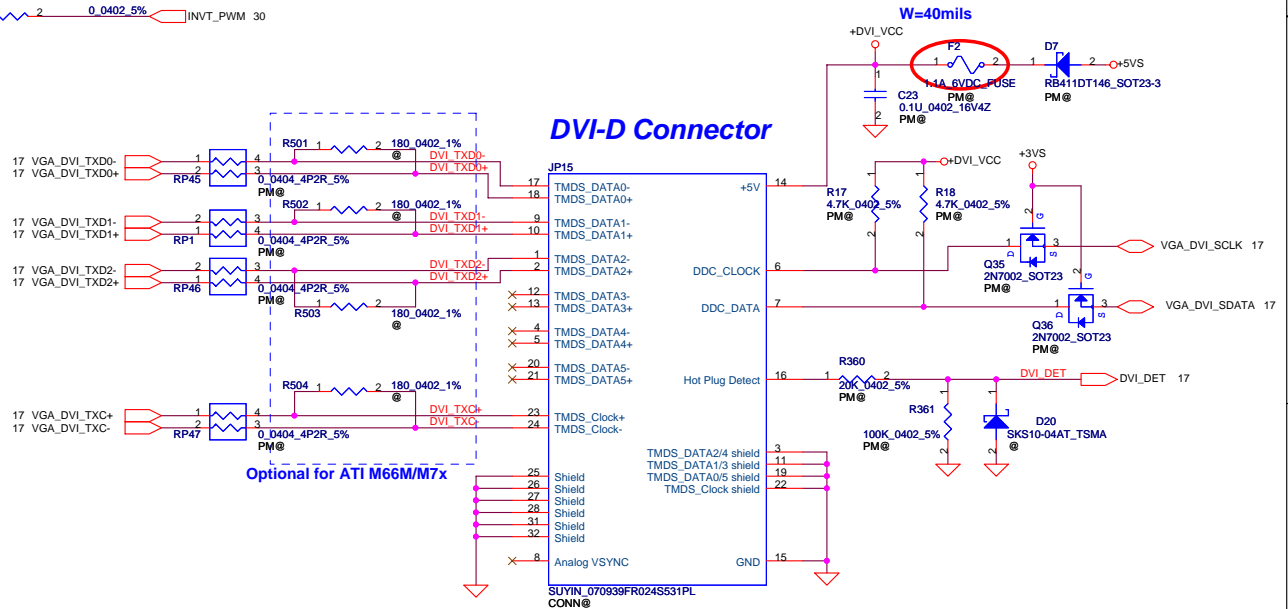
LCD POWER CIRCUIT



LCD/PANEL BD. Conn.

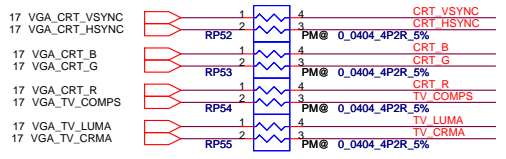
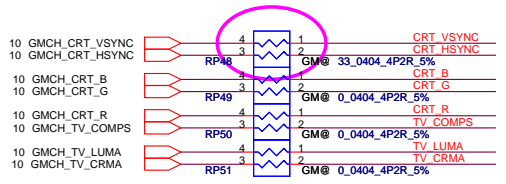
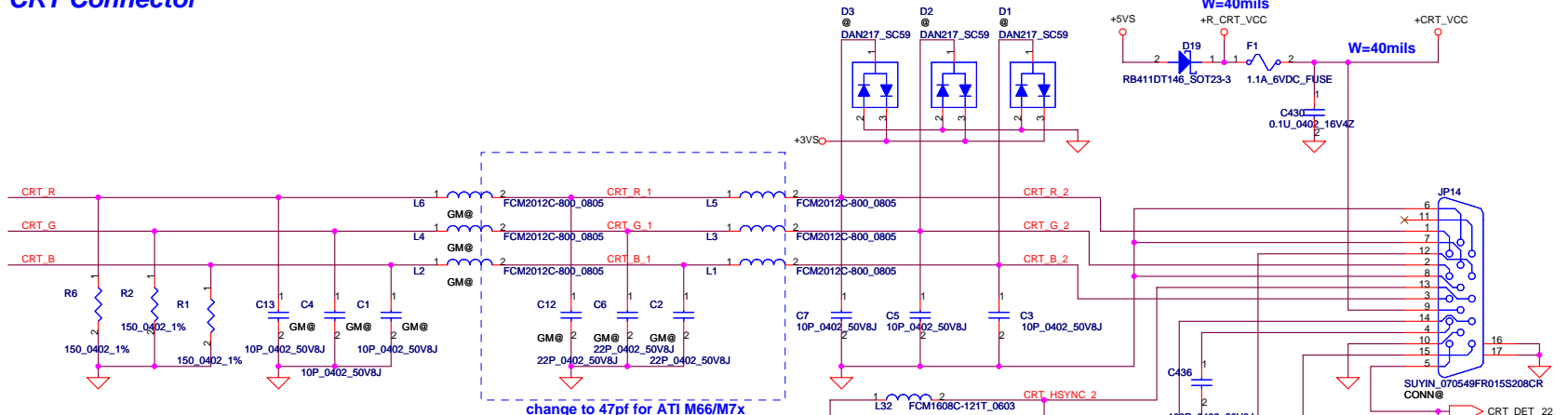


DVI-D Connector



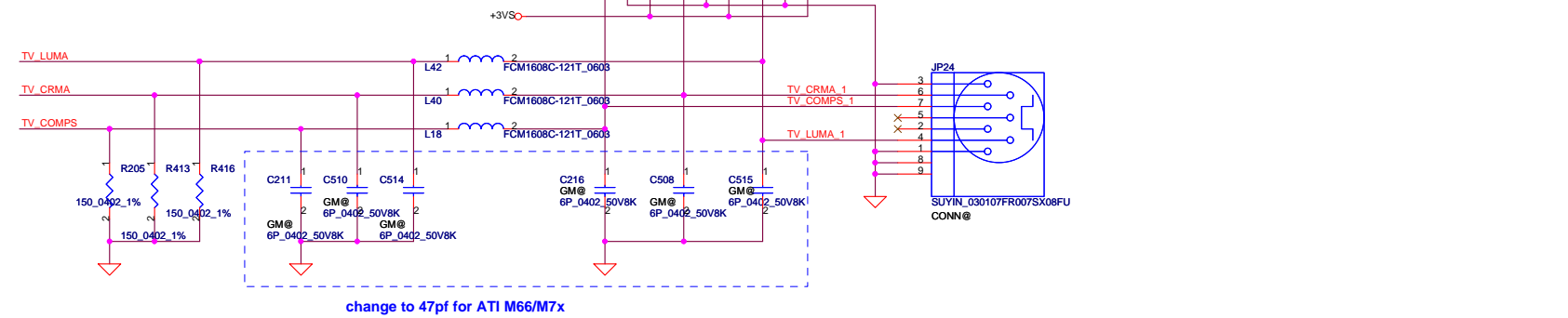
Security Classification	Compal Secret Data		Title
Issued Date	2006/12/25	Deciphered Date	2007/12/25
THIS SHEET OF ENGINEERING DRAWING IS THE PROPRIETARY PROPERTY OF COMPAL ELECTRONICS, INC. AND CONTAINS CONFIDENTIAL AND TRADE SECRET INFORMATION. THIS SHEET MAY NOT BE TRANSFERRED FROM THE CUSTODY OF THE COMPETENT DIVISION OF R&D DEPARTMENT EXCEPT AS AUTHORIZED BY COMPAL ELECTRONICS, INC. NEITHER THIS SHEET NOR THE INFORMATION IT CONTAINS MAY BE USED BY OR DISCLOSED TO ANY THIRD PARTY WITHOUT PRIOR WRITTEN CONSENT OF COMPAL ELECTRONICS, INC.			Document Number ICL50/ICK70 M/B LA-3551P Schemat1c Date: Monday, April 23, 2007
			Rev 18 of 48

CRT Connector

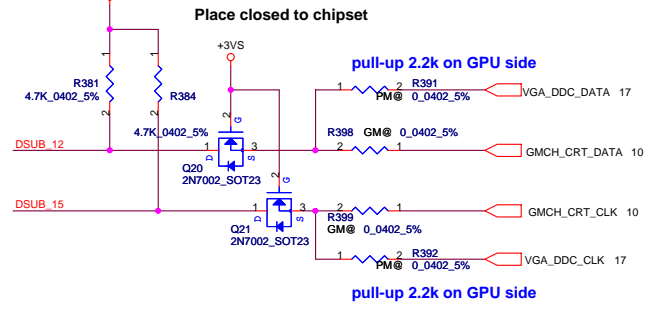


Place closed to chipset

TV-OUT Conn.



change to 47pf for ATI M66/M7x

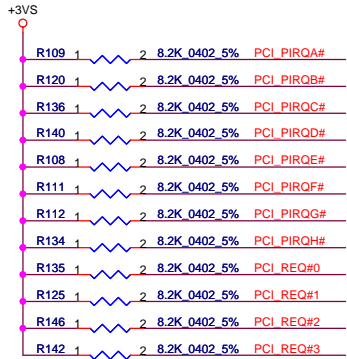
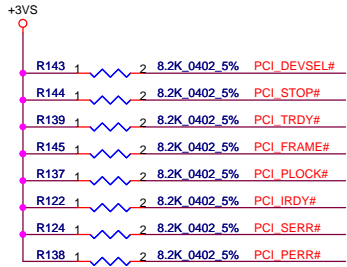


Place closed to chipset

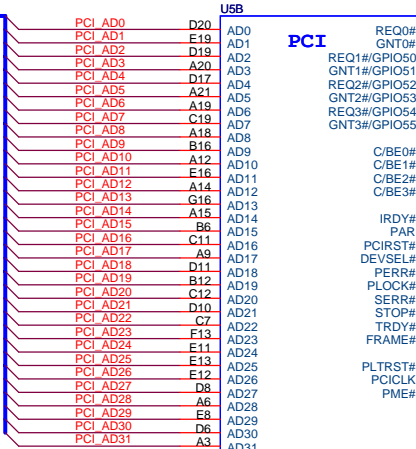
pull-up 2.2k on GPU side

pull-up 2.2k on GPU side

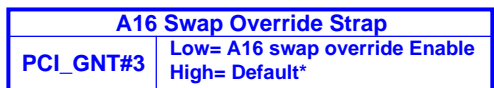
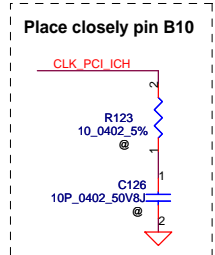
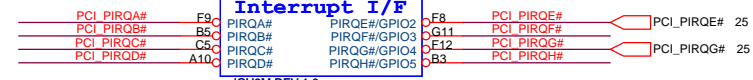
Security Classification		Compal Secret Data		Title	
Issued Date	2006/12/25	Deciphered Date	2007/12/25	Compal Electronics, Inc.	
THIS SHEET OF ENGINEERING DRAWING IS THE PROPRIETARY PROPERTY OF COMPAL ELECTRONICS, INC. AND CONTAINS CONFIDENTIAL AND TRADE SECRET INFORMATION. THIS SHEET MAY NOT BE TRANSFERRED FROM THE CUSTODY OF THE COMPETENT DIVISION OF R&D DEPARTMENT EXCEPT AS AUTHORIZED BY COMPAL ELECTRONICS, INC. NEITHER THIS SHEET NOR THE INFORMATION IT CONTAINS MAY BE USED BY OR DISCLOSED TO ANY THIRD PARTY WITHOUT PRIOR WRITTEN CONSENT OF COMPAL ELECTRONICS, INC.				Document Number	Rev
				ICL50/ICK70 M/B LA-3551P Schematiç	19 of 48
				Date: Monday, April 23, 2007	Sheet



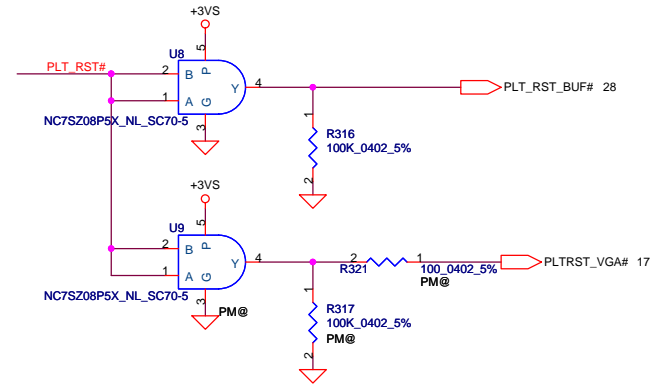
25 PCI_AD[0..31]

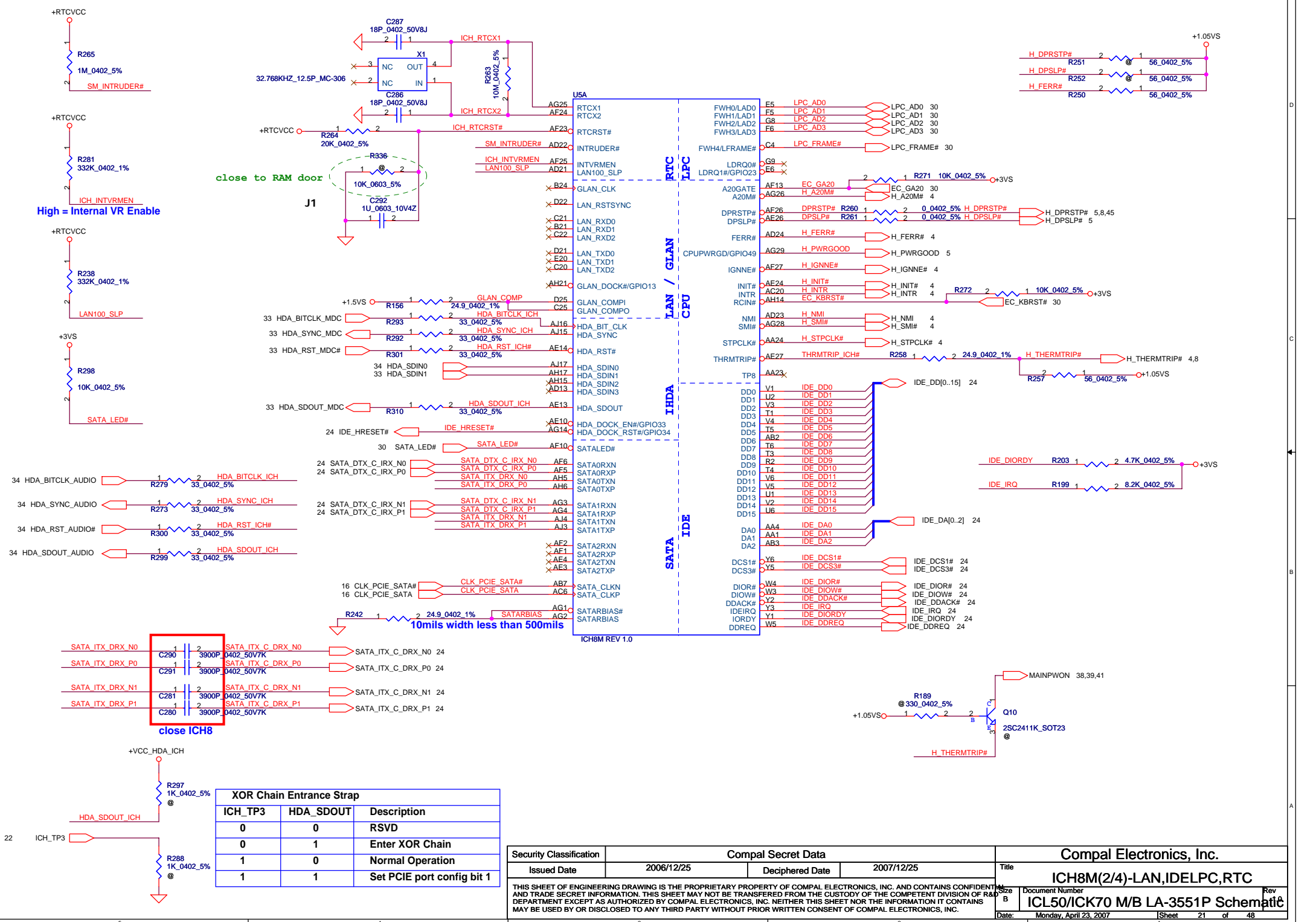


Interrupt I/F



Boot BIOS Strap		
PCI_GNT#0	SPI_CS#1	Boot BIOS Location
0	1	SPI
1	0	PCI
1	1	LPC*





close to RAM door

J1

close ICH8

XOR Chain Entrance Strap		
ICH_TP3	HDA_SDOUT	Description
0	0	RSVD
0	1	Enter XOR Chain
1	0	Normal Operation
1	1	Set PCIE port config bit 1

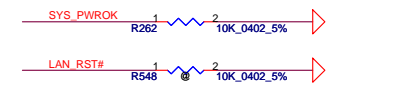
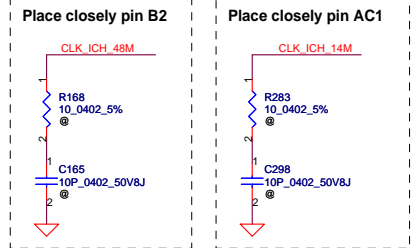
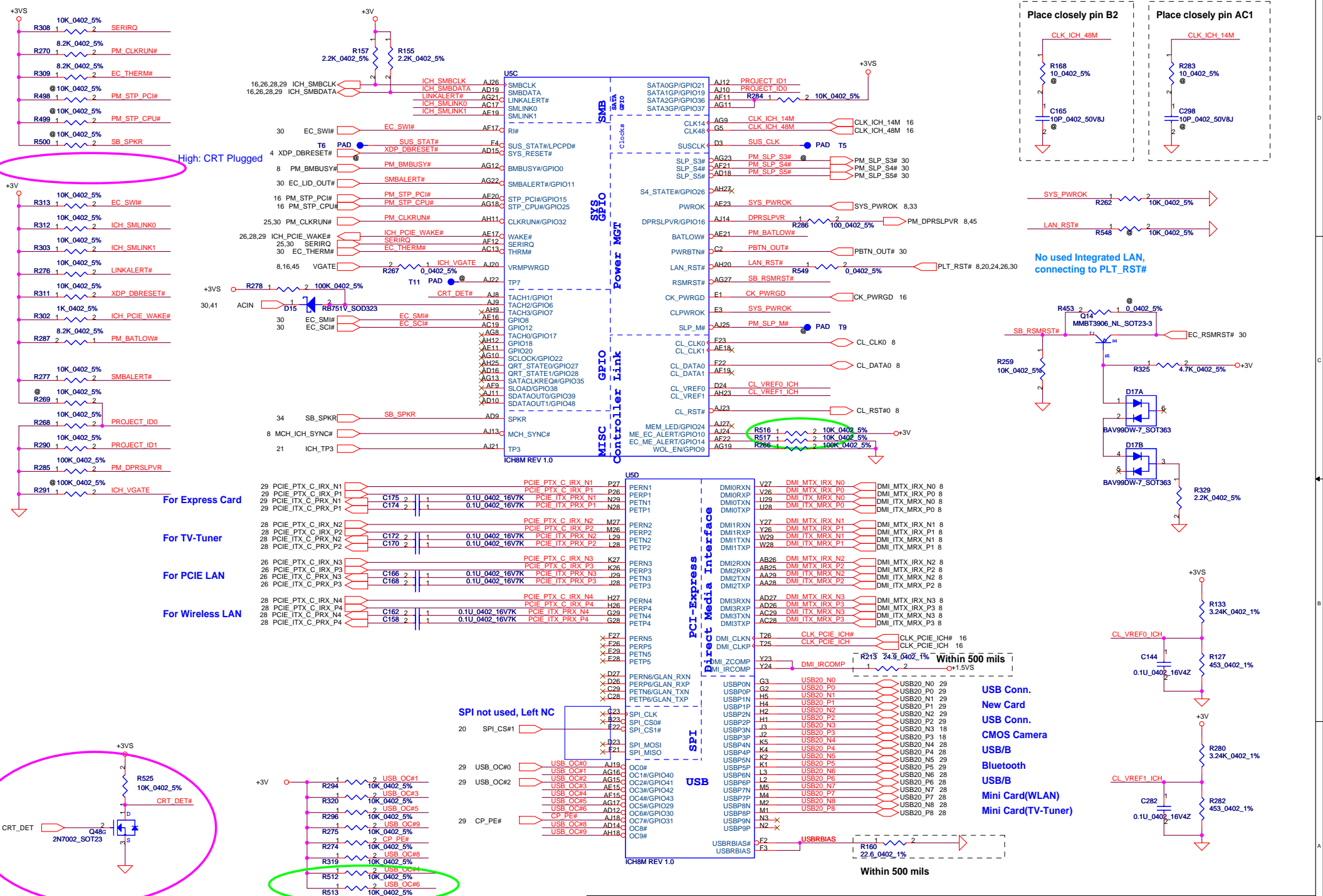
Security Classification		Compal Secret Data		Title	
Issued Date		Deciphered Date		Document Number	
2006/12/25		2007/12/25		ICL50/ICK70 M/B LA-3551P Schematic	
THIS SHEET OF ENGINEERING DRAWING IS THE PROPRIETARY PROPERTY OF COMPAL ELECTRONICS, INC. AND CONTAINS CONFIDENTIAL AND TRADE SECRET INFORMATION. THIS SHEET MAY NOT BE TRANSFERRED FROM THE CUSTODY OF THE COMPETENT DIVISION OF R&D DEPARTMENT EXCEPT AS AUTHORIZED BY COMPAL ELECTRONICS, INC. NEITHER THIS SHEET NOR THE INFORMATION IT CONTAINS MAY BE USED BY OR DISCLOSED TO ANY THIRD PARTY WITHOUT PRIOR WRITTEN CONSENT OF COMPAL ELECTRONICS, INC.				Date: Monday, April 23, 2007	
				Sheet 21 of 48	

Compal Electronics, Inc.

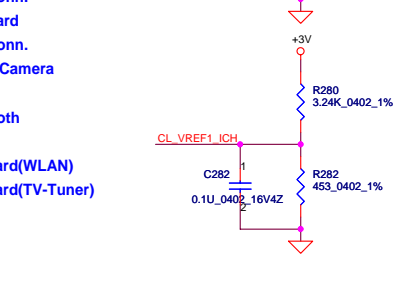
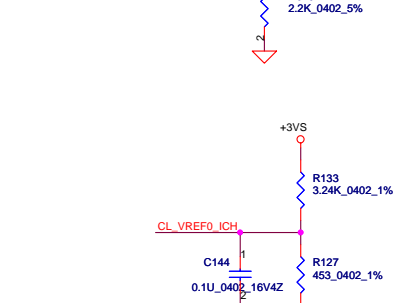
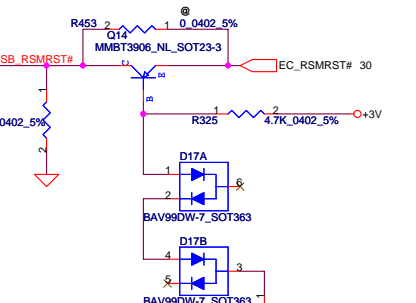
ICH8M(2/4)-LAN, IDE, LPC, RTC

Monday, April 23, 2007

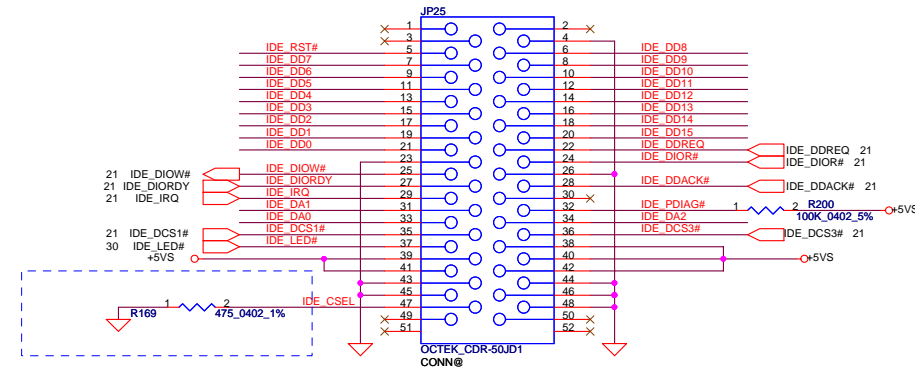
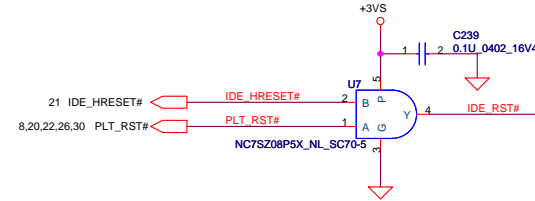
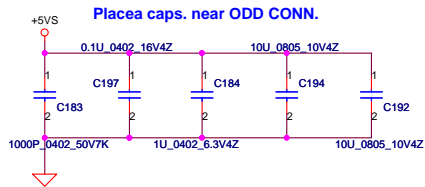
Sheet 21 of 48



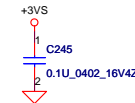
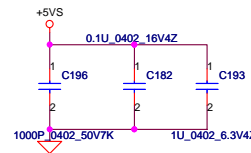
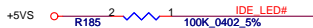
No used Integrated LAN, connecting to PLT_RST#



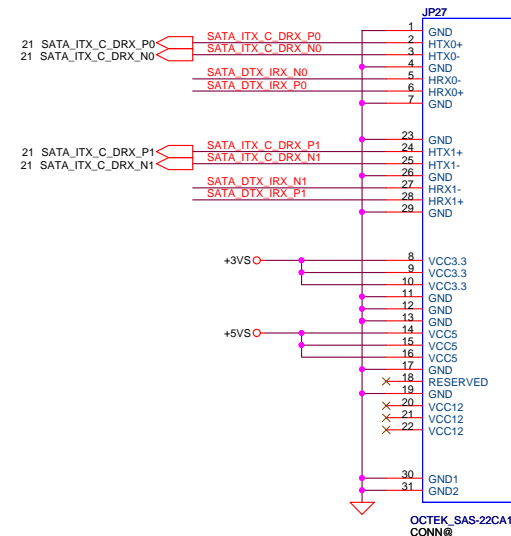
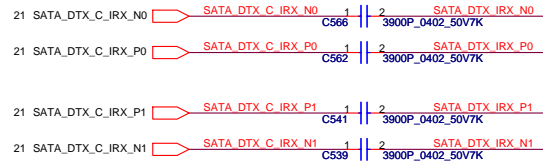
Security Classification	Compal Secret Data		Title	
Issued Date	2006/12/25	Deciphered Date	2007/12/25	ICH8M(3/4)-USB,GPIO,PCIE
<p>THIS SHEET OF ENGINEERING DRAWING IS THE PROPRIETARY PROPERTY OF COMPAL ELECTRONICS, INC. AND CONTAINS CONFIDENTIAL AND TRADE SECRET INFORMATION. THIS SHEET MAY NOT BE TRANSFERRED FROM THE CUSTODY OF THE COMPETENT DIVISION OF R&D DEPARTMENT EXCEPT AS AUTHORIZED BY COMPAL ELECTRONICS, INC. NEITHER THIS SHEET NOR THE INFORMATION IT CONTAINS MAY BE USED BY OR DISCLOSED TO ANY THIRD PARTY WITHOUT PRIOR WRITTEN CONSENT OF COMPAL ELECTRONICS, INC.</p>				
Customer			Rev	
ICL50/ICK70 M/B LA-3551P Schematic			22 of 48	
Date: Monday, April 23, 2007			Sheet	



IDE_CSEL
Grounding for Master (When use SATA HDD)
Open or High for Slaver (Normal)



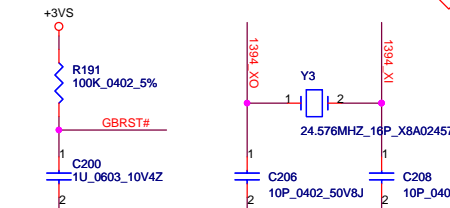
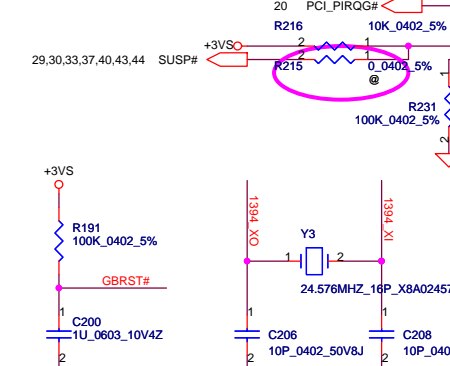
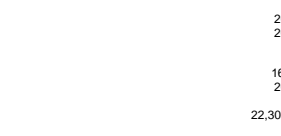
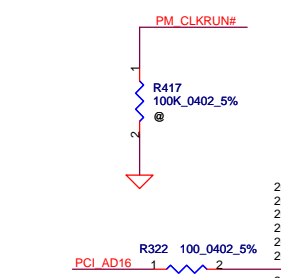
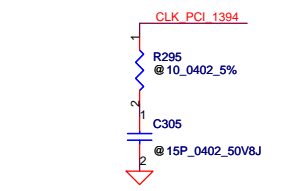
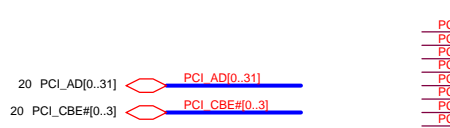
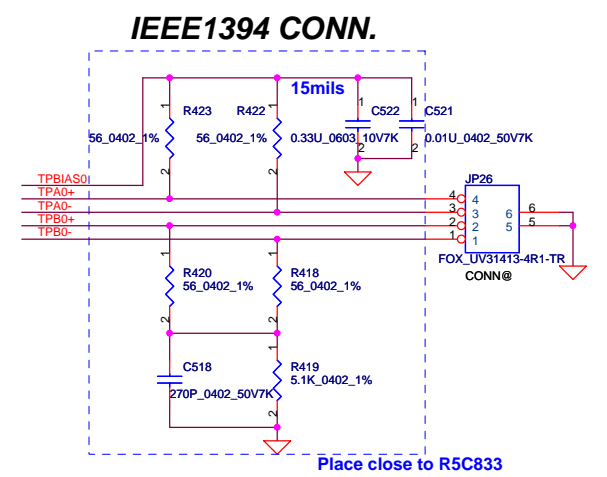
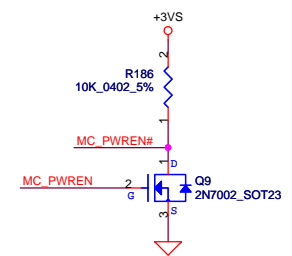
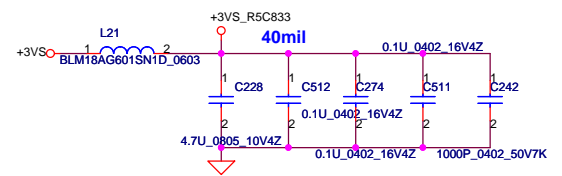
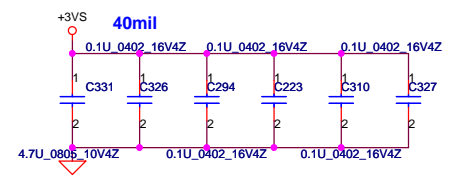
SATA HDD Conn.(SAS Connector)



First HDD for 15.4"

2nd HDD for 17"

Security Classification	Compal Secret Data			Title	
Issued Date	2006/12/25	Deciphered Date	2007/12/25	HDD & ODD Connector	
THIS SHEET OF ENGINEERING DRAWING IS THE PROPRIETARY PROPERTY OF COMPAL ELECTRONICS, INC. AND CONTAINS CONFIDENTIAL AND TRADE SECRET INFORMATION. THIS SHEET MAY NOT BE TRANSFERRED FROM THE CUSTODY OF THE COMPETENT DIVISION OF R&D DEPARTMENT EXCEPT AS AUTHORIZED BY COMPAL ELECTRONICS, INC. NEITHER THIS SHEET NOR THE INFORMATION IT CONTAINS MAY BE USED BY OR DISCLOSED TO ANY THIRD PARTY WITHOUT PRIOR WRITTEN CONSENT OF COMPAL ELECTRONICS, INC.				Document Number	Rev
				ICL50/ICK70 M/B LA-3551P Schematiç	
				Date: Monday, April 23, 2007	Sheet 24 of 48



R5C833

PCI AD31	125	AD31
PCI AD30	126	AD30
PCI AD29	127	AD29
PCI AD28	128	AD28
PCI AD27	1	AD27
PCI AD26	2	AD26
PCI AD25	3	AD25
PCI AD24	4	AD24
PCI AD23	5	AD23
PCI AD22	6	AD22
PCI AD21	7	AD21
PCI AD20	8	AD20
PCI AD19	9	AD19
PCI AD18	10	AD18
PCI AD17	11	AD17
PCI AD16	12	AD16
PCI AD15	13	AD15
PCI AD14	14	AD14
PCI AD13	15	AD13
PCI AD12	16	AD12
PCI AD11	17	AD11
PCI AD10	18	AD10
PCI AD9	19	AD9
PCI AD8	20	AD8
PCI AD7	21	AD7
PCI AD6	22	AD6
PCI AD5	23	AD5
PCI AD4	24	AD4
PCI AD3	25	AD3
PCI AD2	26	AD2
PCI AD1	27	AD1
PCI AD0	28	AD0

PCI_CBE#3	7	C/BE#3
PCI_CBE#2	21	C/BE#2
PCI_CBE#1	35	C/BE#1
PCI_CBE#0	45	C/BE#0

PCI_PAR	33	PAR
PCI_FRAME#	23	FRAME#
PCI_TRDY#	25	TRDY#
PCI_IRDY#	24	IRDY#
PCI_STOP#	26	STOP#
PCI_DEVSEL#	8	DEVSEL#
PCI_PERR#	30	PERR#
PCI_SERR#	31	SERR#

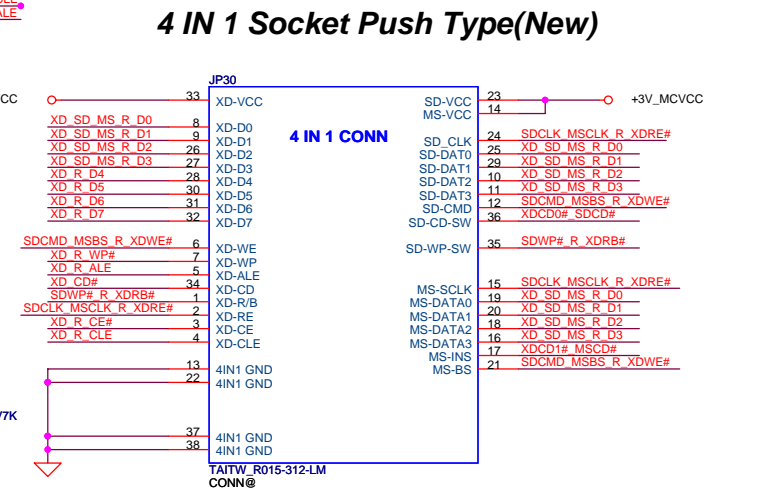
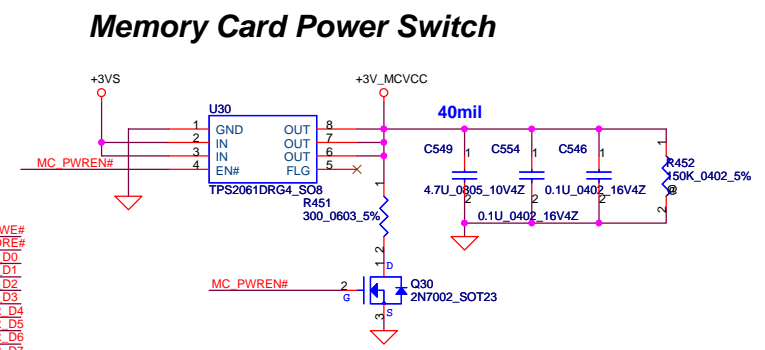
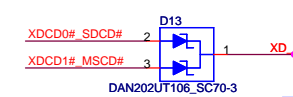
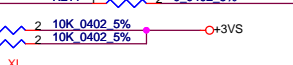
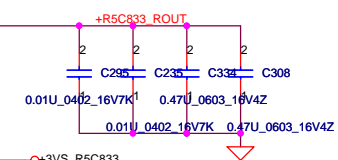
PCI_REQ#0	124	REQ#
PCI_GNT#0	123	GNT#

CLK_PCI_1394	121	PCICLK
PCI_RST#	119	PCIRST#
GBRST#	71	GBRST#
CLKRUN#	117	CLKRUN#
PM_CLKRUN#	70	PM_CLKRUN#

PCI_PIRQE#	115	INTA#
PCI_PIRQG#	116	INTB#

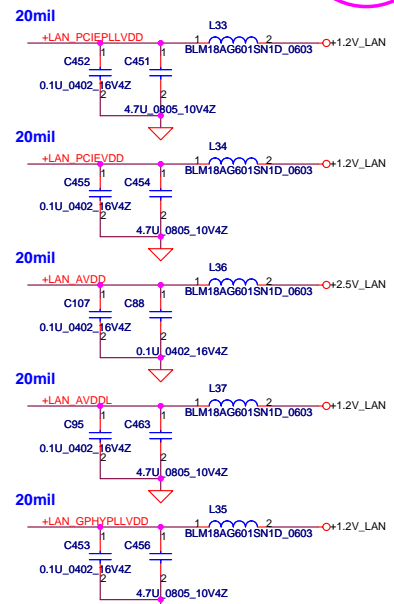
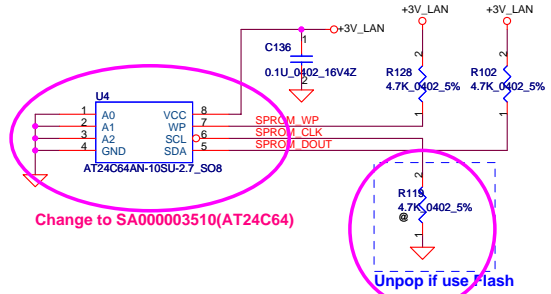
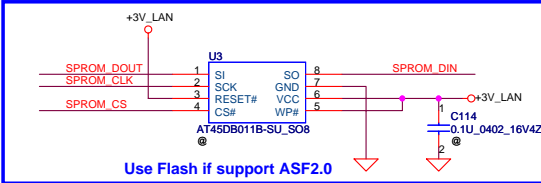
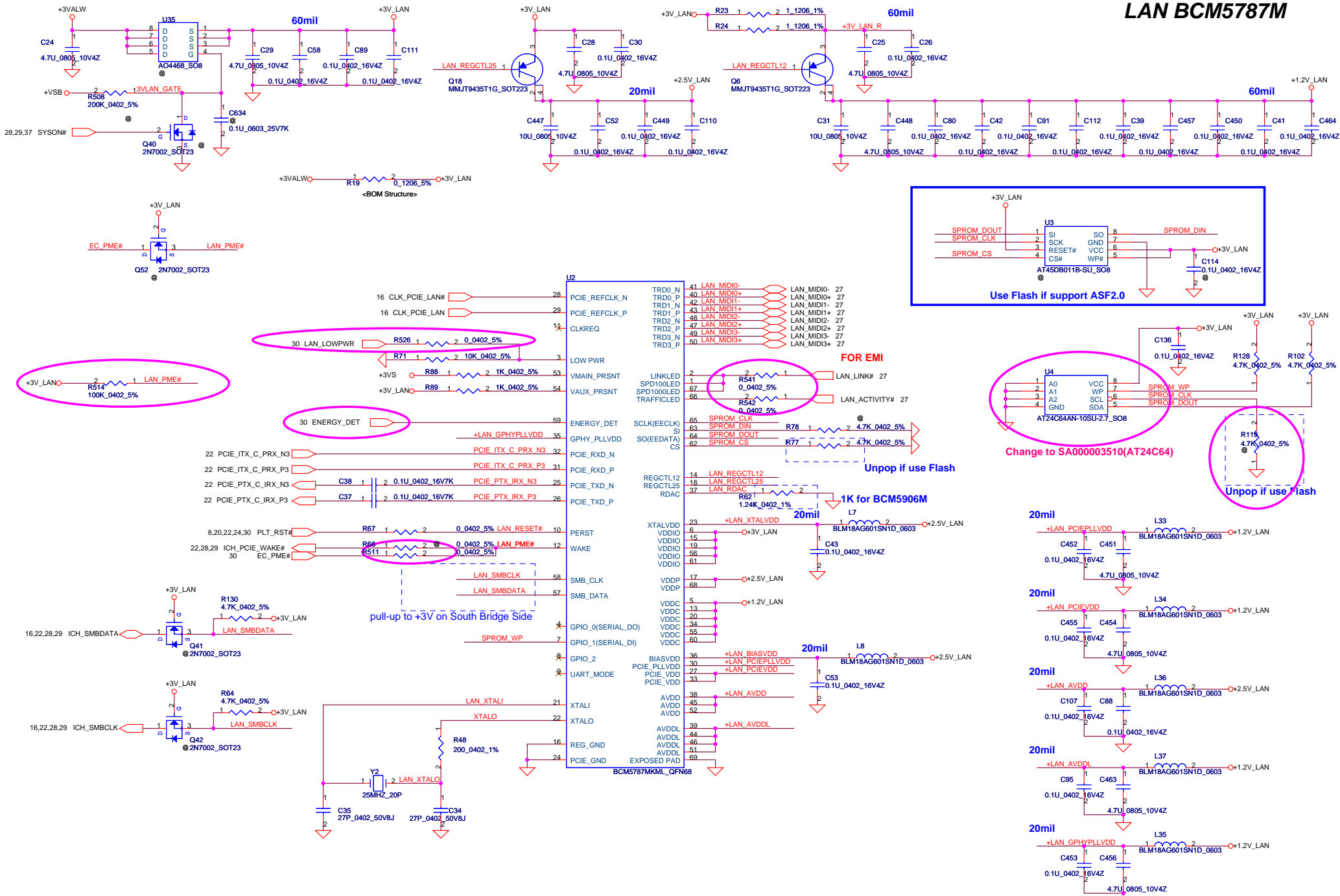
HWSPND#	69	HWSPND#
TEST	66	TEST

AGND	111	AGND
AGND	107	AGND
AGND	103	AGND
AGND	102	AGND
AGND	99	AGND



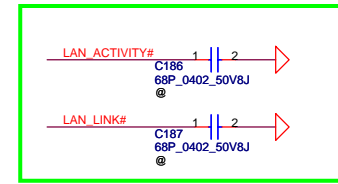
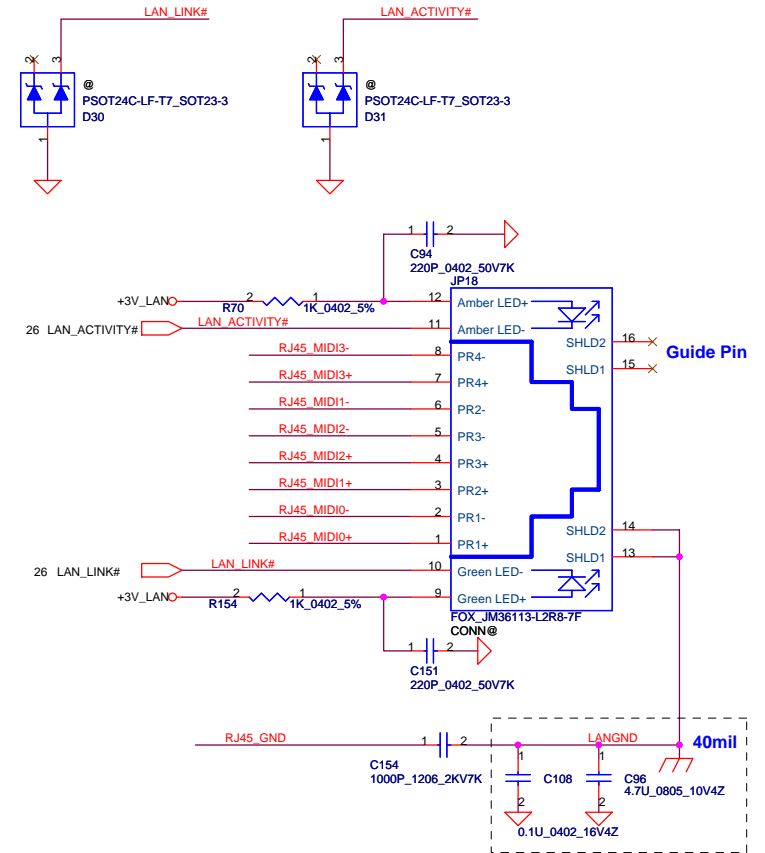
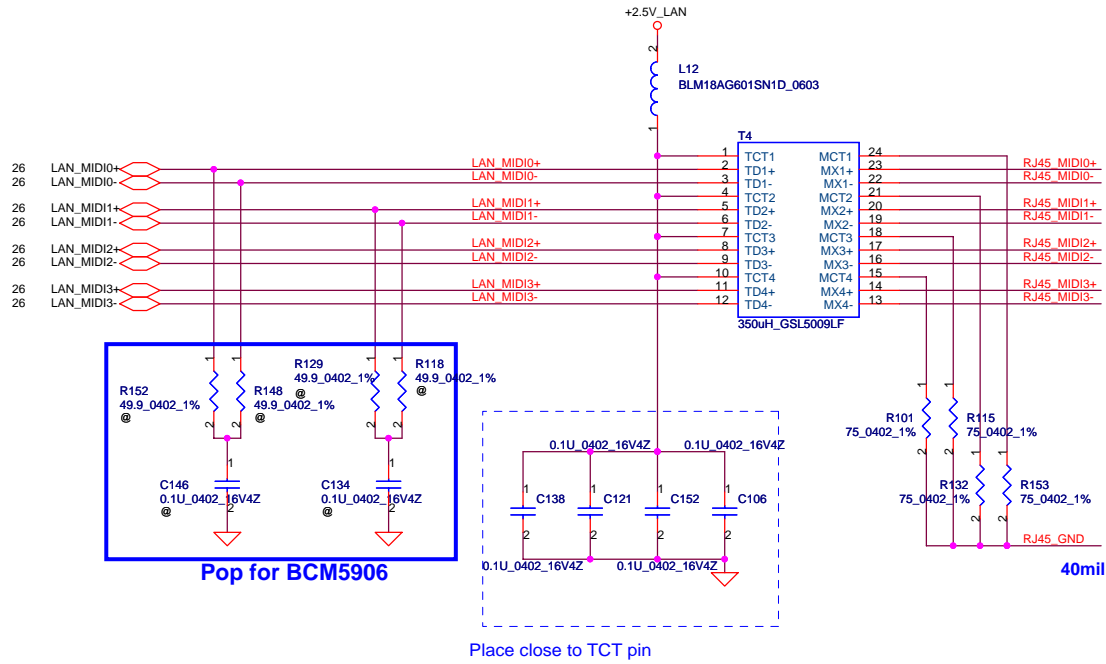
Security Classification		Compal Secret Data		Compal Electronics, Inc.	
Issued Date	2006/12/25	Deciphered Date	2007/12/25	Title	
THIS SHEET OF ENGINEERING DRAWING IS THE PROPRIETARY PROPERTY OF COMPAL ELECTRONICS, INC. AND CONTAINS CONFIDENTIAL AND TRADE SECRET INFORMATION. THIS SHEET MAY NOT BE TRANSFERRED FROM THE CUSTODY OF THE COMPETENT DIVISION OF R&D DEPARTMENT EXCEPT AS AUTHORIZED BY COMPAL ELECTRONICS, INC. NEITHER THIS SHEET NOR THE INFORMATION IT CONTAINS MAY BE USED BY OR DISCLOSED TO ANY THIRD PARTY WITHOUT PRIOR WRITTEN CONSENT OF COMPAL ELECTRONICS, INC.				R5C833 5IN1 & IEEE1394	
Document Number	ICL50/ICK70 M/B LA-3551P Schematic			Rev	
Date	Monday, April 23, 2007	Sheet	25	of	48

LAN BCM5787M



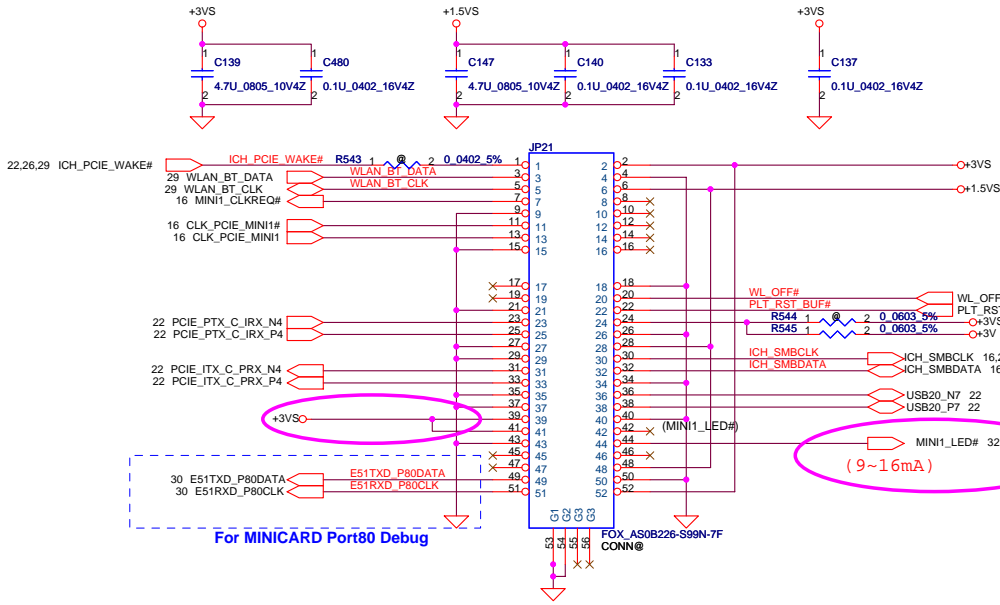
Security Classification	Compal Secret Data		Title	
Issued Date	2006/12/25	Deciphered Date	2007/12/25	LAN BCM5787M
THIS SHEET OF ENGINEERING DRAWING IS THE PROPRIETARY PROPERTY OF COMPAL ELECTRONICS, INC. AND CONTAINS CONFIDENTIAL AND TRADE SECRET INFORMATION. THIS SHEET MAY NOT BE TRANSFERRED FROM THE CUSTODY OF THE COMPETENT DIVISION OF R&D DEPARTMENT EXCEPT AS AUTHORIZED BY COMPAL ELECTRONICS, INC. NEITHER THIS SHEET NOR THE INFORMATION IT CONTAINS MAY BE USED BY OR DISCLOSED TO ANY THIRD PARTY WITHOUT PRIOR WRITTEN CONSENT OF COMPAL ELECTRONICS, INC.				
Document Number			Rev	
ICL50/ICK70 M/B LA-3551P Schematic			8	
Date: Monday, April 23, 2007			Sheet 26 of 48	

LAN BCM5787M



Security Classification		Compal Secret Data		Compal Electronics, Inc.	
Issued Date	2006/12/25	Deciphered Date	2007/12/25	Title	
THIS SHEET OF ENGINEERING DRAWING IS THE PROPRIETARY PROPERTY OF COMPAL ELECTRONICS, INC. AND CONTAINS CONFIDENTIAL AND TRADE SECRET INFORMATION. THIS SHEET MAY NOT BE TRANSFERRED FROM THE CUSTODY OF THE COMPETENT DIVISION OF R&D DEPARTMENT EXCEPT AS AUTHORIZED BY COMPAL ELECTRONICS, INC. NEITHER THIS SHEET NOR THE INFORMATION IT CONTAINS MAY BE USED BY OR DISCLOSED TO ANY THIRD PARTY WITHOUT PRIOR WRITTEN CONSENT OF COMPAL ELECTRONICS, INC.				Document Number	Rev
				ICL50/ICK70 M/B LA-3551P Schematic	
Date: Monday, April 23, 2007				Sheet	27 of 48

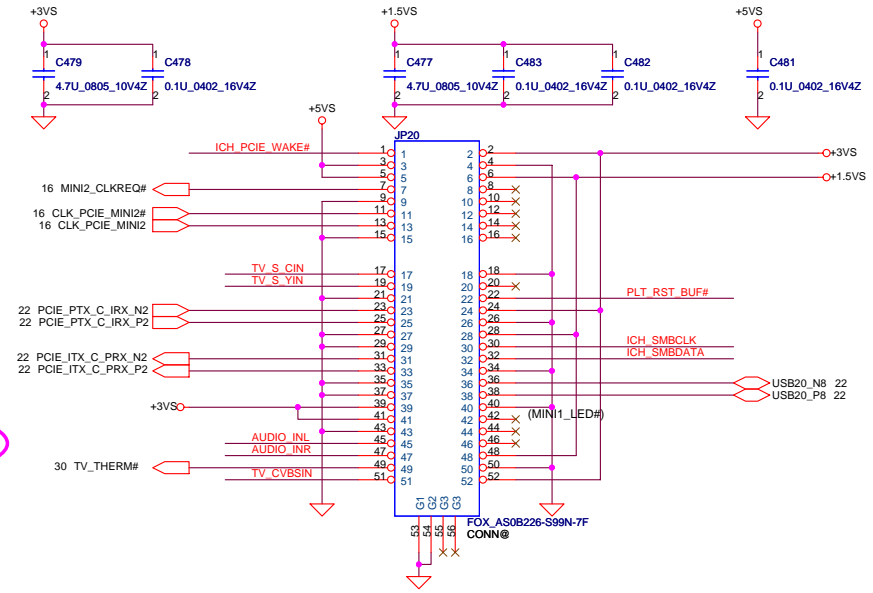
For Wireless LAN



For MINICARD Port80 Debug

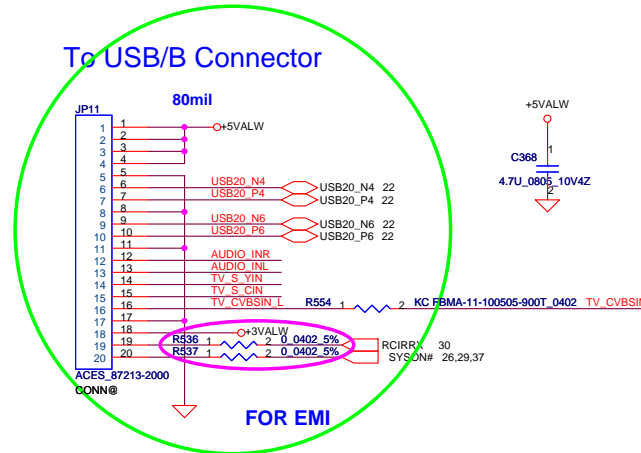
Mini Card Power Rating			
Power	Primary Power (mA)		Auxiliary Power (mA)
	Peak	Normal	Normal
+3VS	1000	750	
+3V	330	250	250 (wake enable)
+1.5VS	500	375	5 (Not wake enable)

For TV-Tuner/HW MPEG



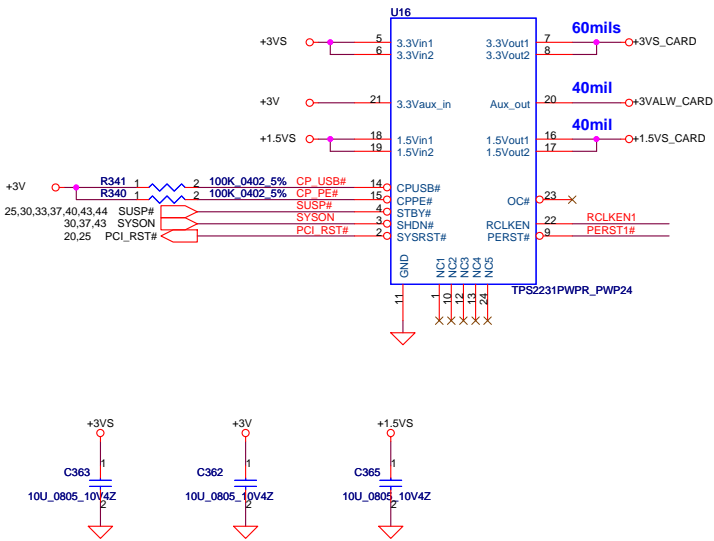
To USB/B Connector

AV-IN Connector CIR

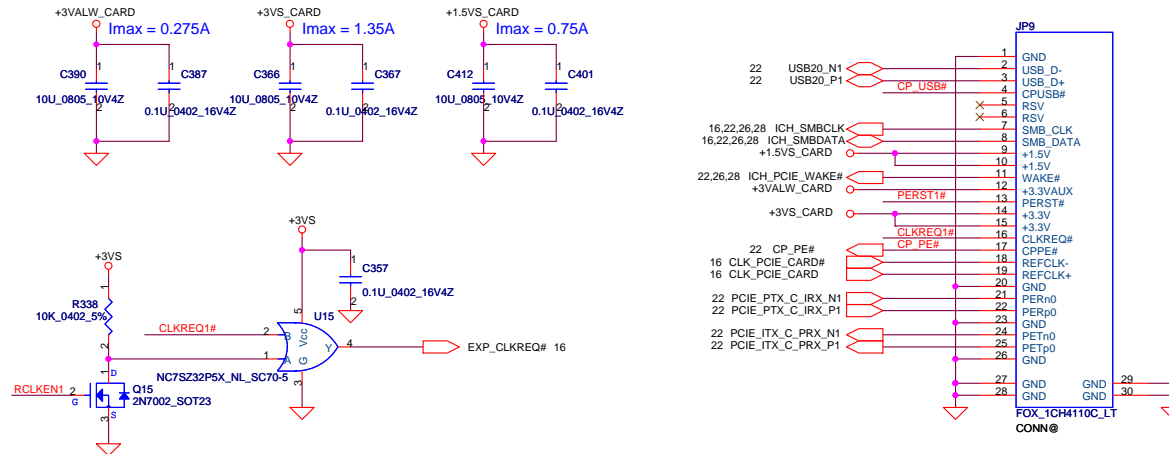


Security Classification	Compal Secret Data			Title	
Issued Date	2006/12/25	Deciphered Date	2007/12/25	MINI CARD (WLAN & TV-Tuner)	
THIS SHEET OF ENGINEERING DRAWING IS THE PROPRIETARY PROPERTY OF COMPAL ELECTRONICS, INC. AND CONTAINS CONFIDENTIAL AND TRADE SECRET INFORMATION. THIS SHEET MAY NOT BE TRANSFERRED FROM THE CUSTODY OF THE COMPETENT DIVISION OF R&D DEPARTMENT EXCEPT AS AUTHORIZED BY COMPAL ELECTRONICS, INC. NEITHER THIS SHEET NOR THE INFORMATION IT CONTAINS MAY BE USED BY OR DISCLOSED TO ANY THIRD PARTY WITHOUT PRIOR WRITTEN CONSENT OF COMPAL ELECTRONICS, INC.				Document Number	Rev
				ICL50/ICK70 M/B LA-3551P Schematic	
				Date: Monday, April 23, 2007	Sheet 28 of 48

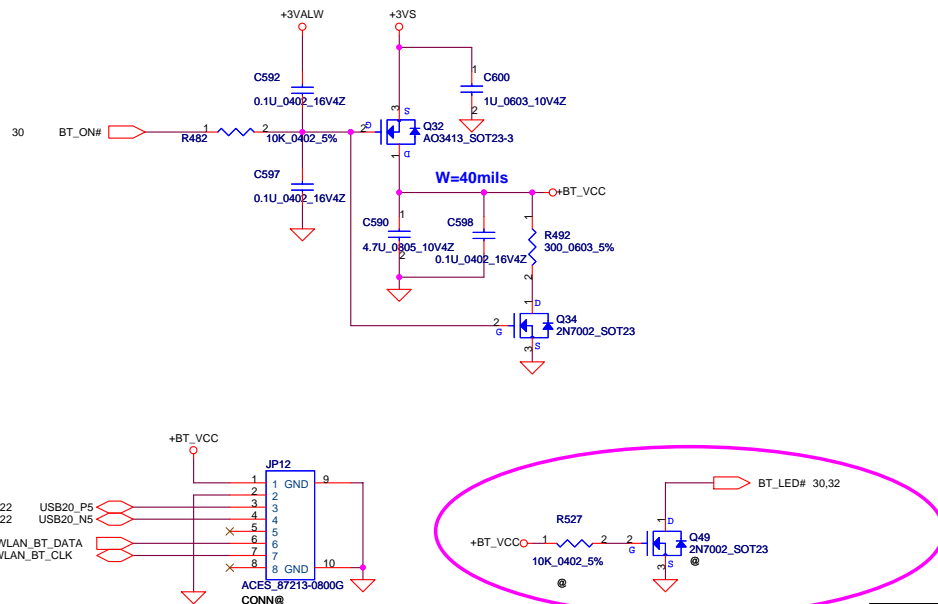
New Card Power Switch



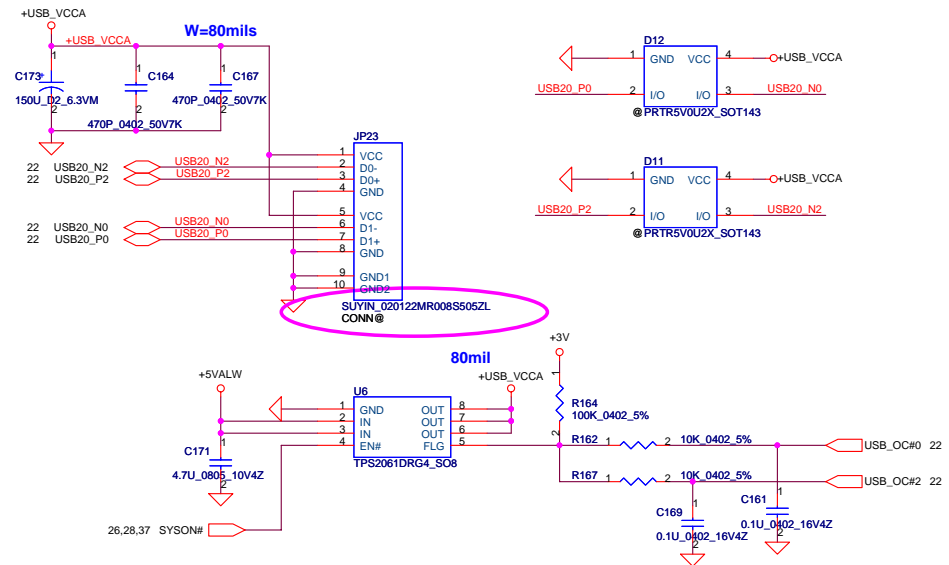
New Card Socket (Left/TOP)



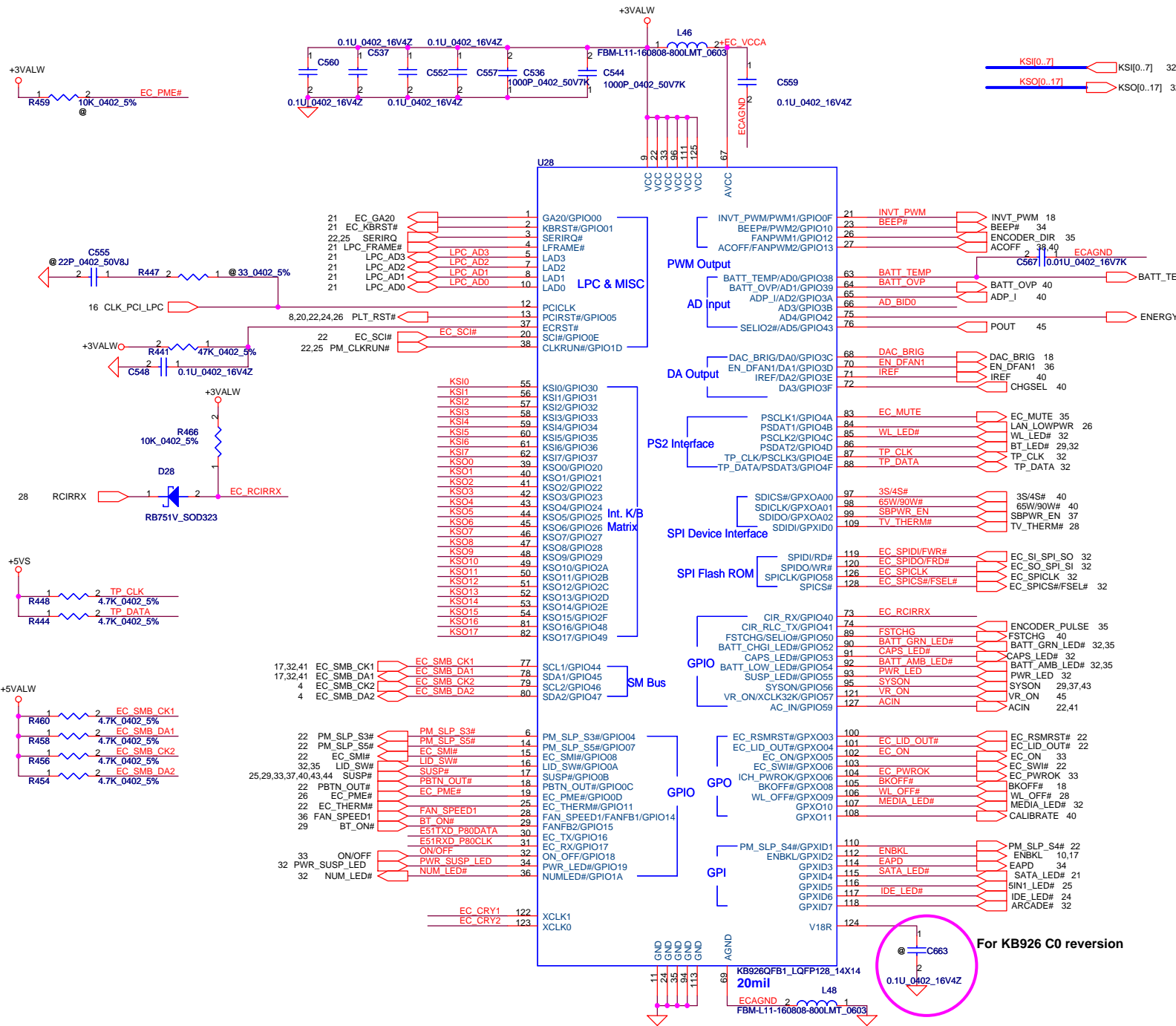
Bluetooth Conn.



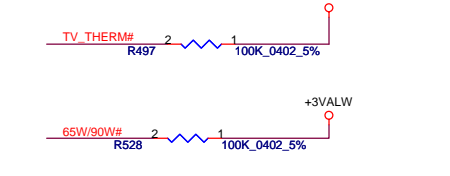
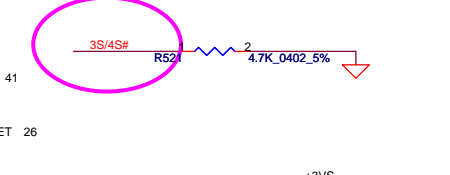
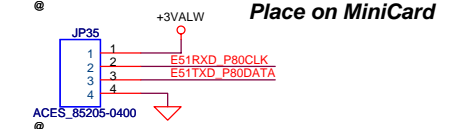
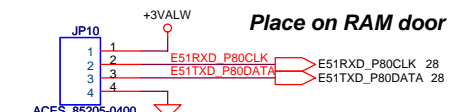
USB CONN. (Stack-up Type)



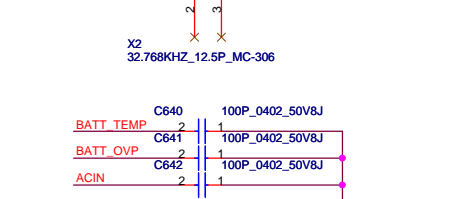
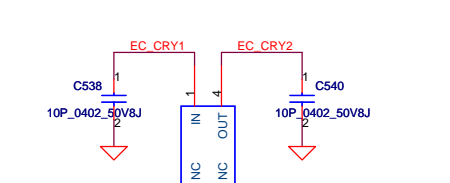
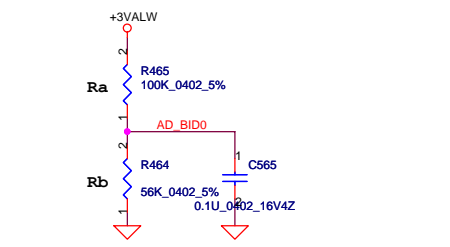
Security Classification	Compal Secret Data		Title	Compal Electronics, Inc.	
Issued Date	2006/12/25	Deciphered Date	2007/12/25	NEW CARD & USB Connector	
THIS SHEET OF ENGINEERING DRAWING IS THE PROPRIETARY PROPERTY OF COMPAL ELECTRONICS, INC. AND CONTAINS CONFIDENTIAL AND TRADE SECRET INFORMATION. THIS SHEET MAY NOT BE TRANSFERRED FROM THE CUSTODY OF THE COMPETENT DIVISION OF R&D DEPARTMENT EXCEPT AS AUTHORIZED BY COMPAL ELECTRONICS, INC. NEITHER THIS SHEET NOR THE INFORMATION IT CONTAINS MAY BE USED BY OR DISCLOSED TO ANY THIRD PARTY WITHOUT PRIOR WRITTEN CONSENT OF COMPAL ELECTRONICS, INC.					
Date: Monday, April 23, 2007				Document Number	Rev
Date: Monday, April 23, 2007				ICL50/ICK70 M/B LA-3551P Schematic	29 of 48



For EC Tools



Analog Board ID definition, Please see page 3.



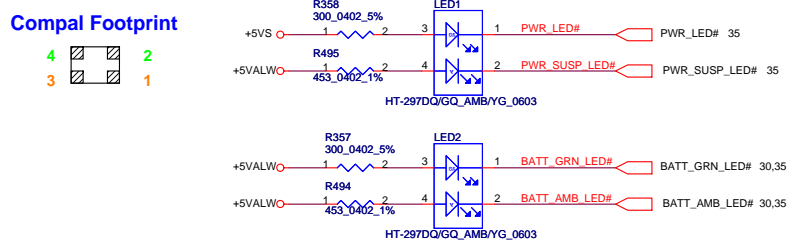
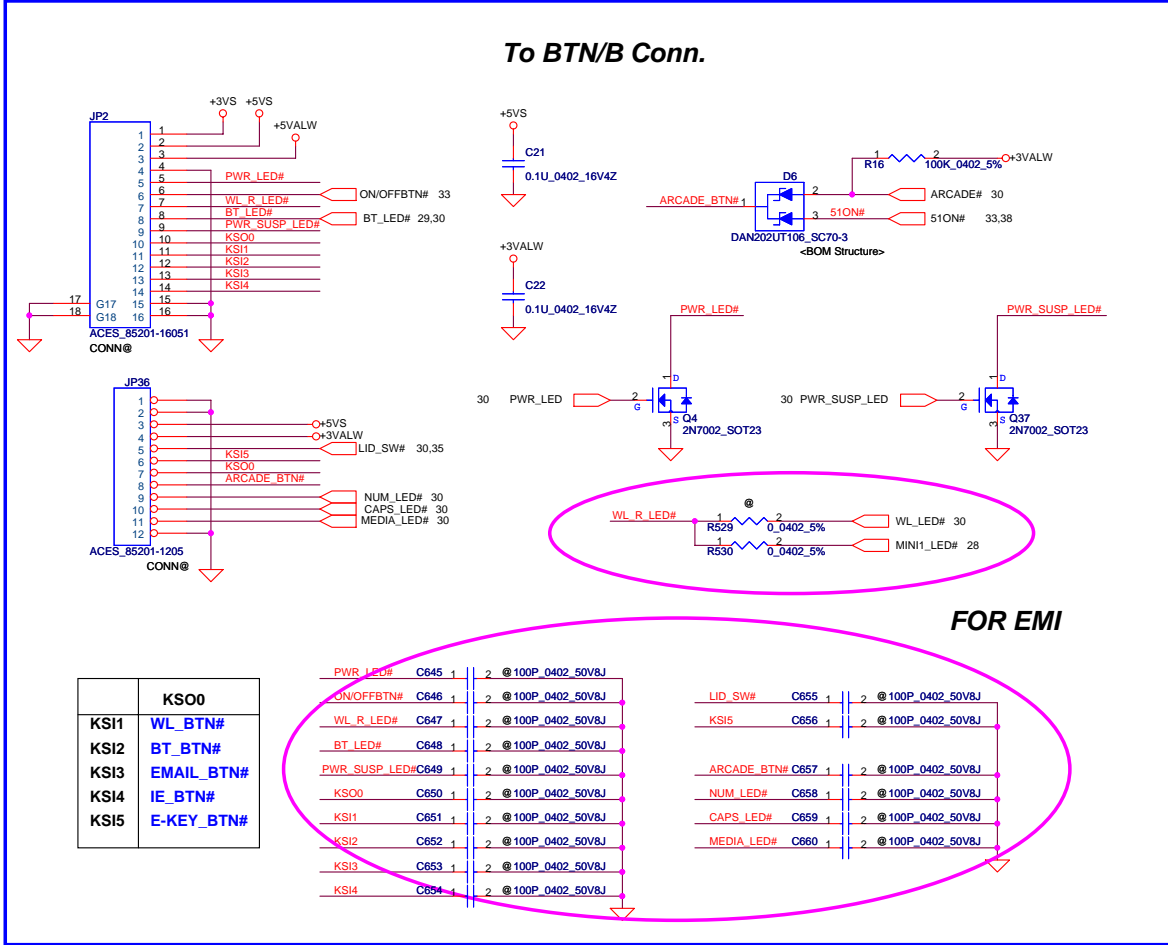
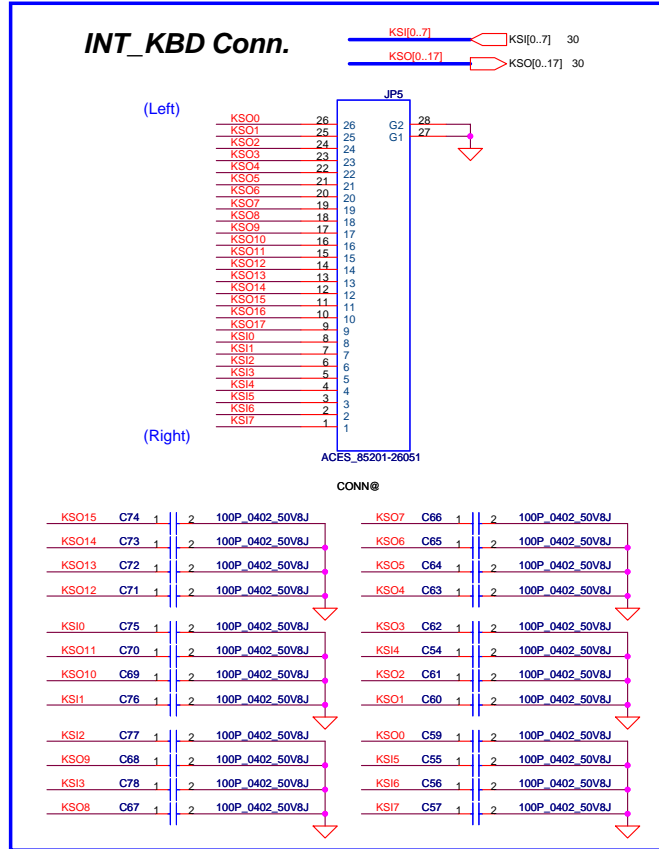
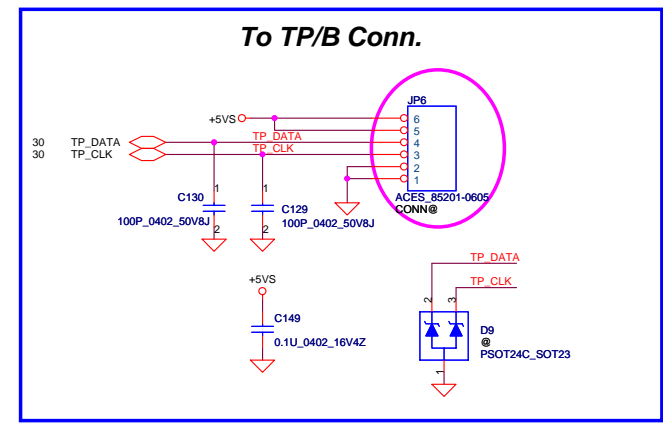
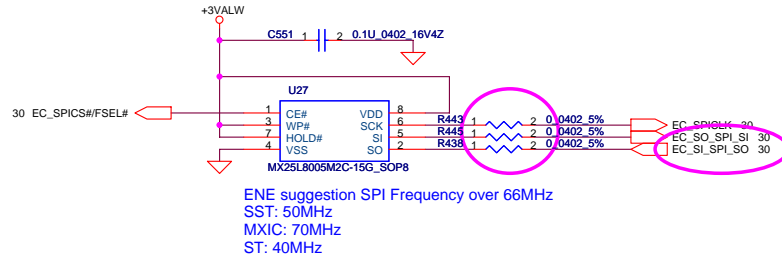
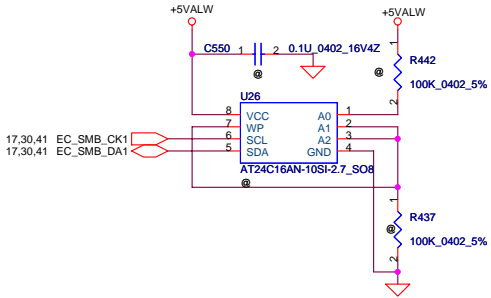
For KB926 C0 reversion



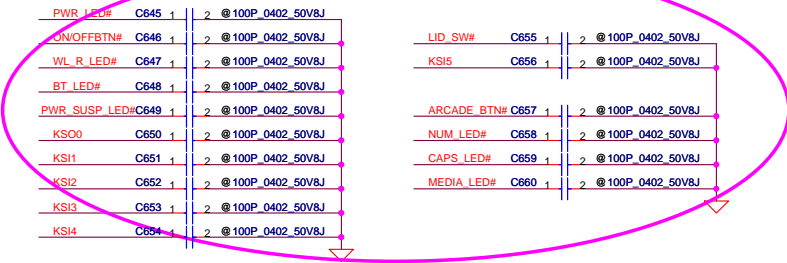
Security Classification		Compal Secret Data		Compal Electronics, Inc.	
Issued Date	2006/12/25	Deciphered Date	2007/12/25	Title	
THIS SHEET OF ENGINEERING DRAWING IS THE PROPRIETARY PROPERTY OF COMPAL ELECTRONICS, INC. AND CONTAINS CONFIDENTIAL AND TRADE SECRET INFORMATION. THIS SHEET MAY NOT BE TRANSFERRED FROM THE CUSTODY OF THE COMPETENT DIVISION OF COMPAL ELECTRONICS, INC. DEPARTMENT EXCEPT AS AUTHORIZED BY COMPAL ELECTRONICS, INC. NEITHER THIS SHEET NOR THE INFORMATION IT CONTAINS MAY BE USED BY OR DISCLOSED TO ANY THIRD PARTY WITHOUT PRIOR WRITTEN CONSENT OF COMPAL ELECTRONICS, INC.				EC ENE KB926	
Document Number	ICL50/ICK70 M/B LA-3551P Schematfc			Rev	
Date	Monday, April 23, 2007	Sheet	30	of 48	



Security Classification		Compal Secret Data		Compal Electronics, Inc.	
Issued Date	2006/12/25	Deciphered Date	2007/12/25	Title	EC ENE KB925(Reserved)
THIS SHEET OF ENGINEERING DRAWING IS THE PROPRIETARY PROPERTY OF COMPAL ELECTRONICS, INC. AND CONTAINS CONFIDENTIAL AND TRADE SECRET INFORMATION. THIS SHEET MAY NOT BE TRANSFERRED FROM THE CUSTODY OF THE COMPETENT DIVISION OF RESEARCH AND DEVELOPMENT EXCEPT AS AUTHORIZED BY COMPAL ELECTRONICS, INC. NEITHER THIS SHEET NOR THE INFORMATION IT CONTAINS MAY BE USED BY OR DISCLOSED TO ANY THIRD PARTY WITHOUT PRIOR WRITTEN CONSENT OF COMPAL ELECTRONICS, INC.				Size	Document Number
				B	ICL50/ICK70 M/B LA-3551P Schematic
				Date:	Thursday, April 19, 2007
				Sheet	31 of 48

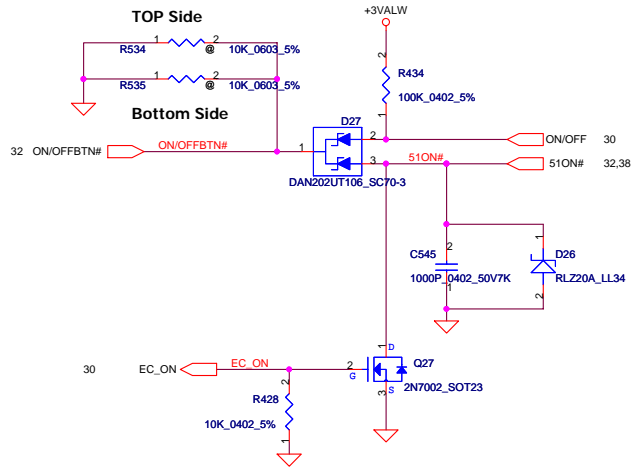


KSO0	
KSI1	WL_BTN#
KSI2	BT_BTN#
KSI3	EMAIL_BTN#
KSI4	IE_BTN#
KSI5	E-KEY_BTN#

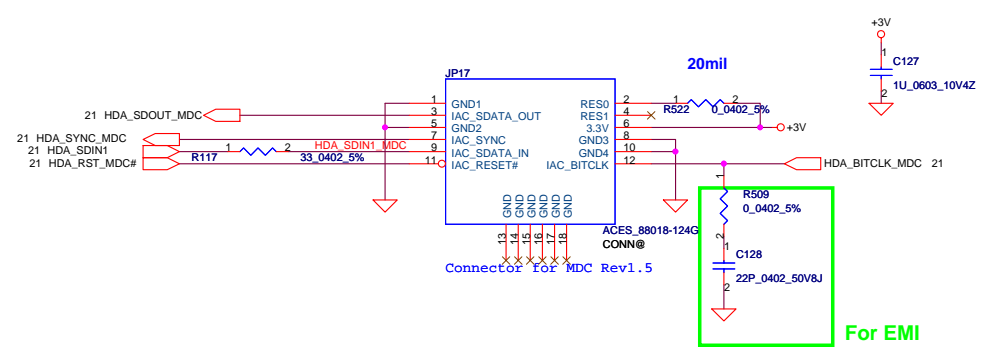


Power Button

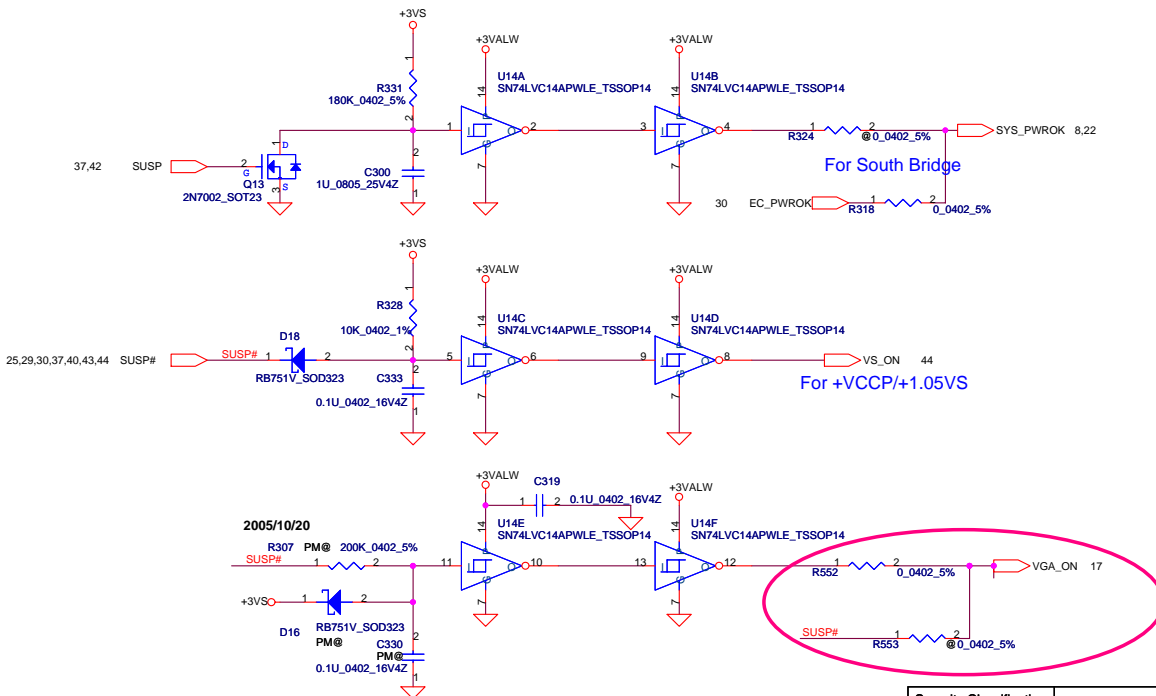
ON/OFF switch



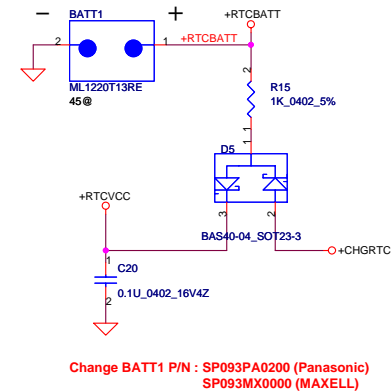
HDA MDC Conn.



Power ON Circuit

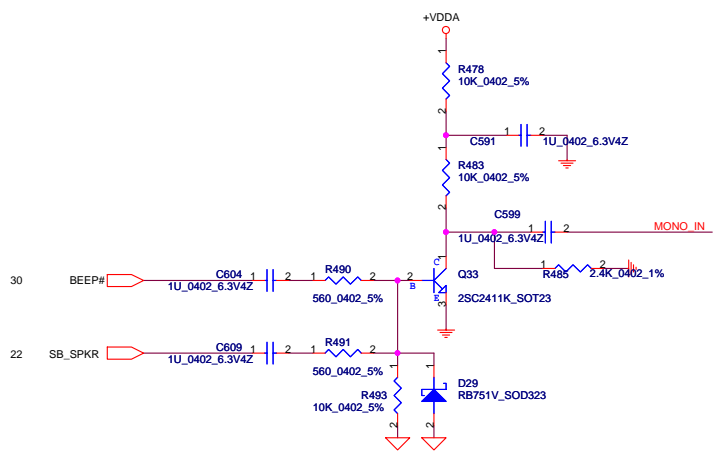


RTC Battery

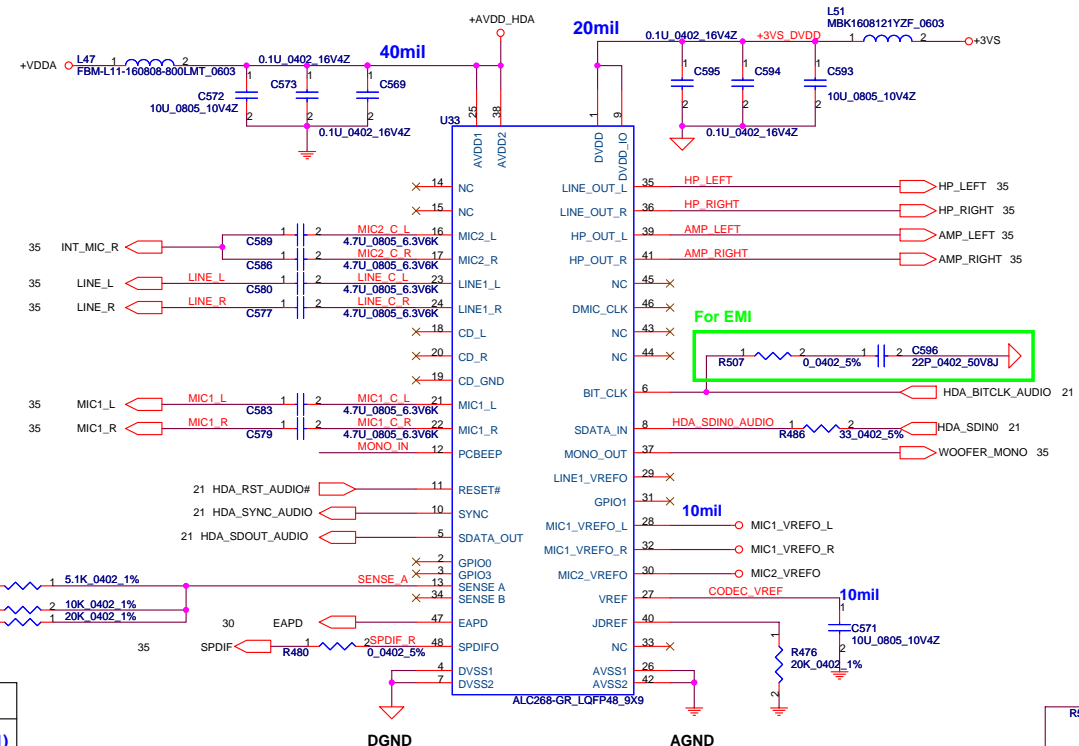


Security Classification	Compal Secret Data		Compal Electronics, Inc.	
Issued Date	2006/12/25	Deciphered Date	2007/12/25	Title
THIS SHEET OF ENGINEERING DRAWING IS THE PROPRIETARY PROPERTY OF COMPAL ELECTRONICS, INC. AND CONTAINS CONFIDENTIAL AND TRADE SECRET INFORMATION. THIS SHEET MAY NOT BE TRANSFERRED FROM THE CUSTODY OF THE COMPETENT DIVISION OF R&D DEPARTMENT EXCEPT AS AUTHORIZED BY COMPAL ELECTRONICS, INC. NEITHER THIS SHEET NOR THE INFORMATION IT CONTAINS MAY BE USED BY OR DISCLOSED TO ANY THIRD PARTY WITHOUT PRIOR WRITTEN CONSENT OF COMPAL ELECTRONICS, INC.				Document Number
				Rev
				Date: Monday, April 23, 2007
				Sheet 33 of 48

Power OK, Reset and RTC Circuit, TP
 ICL50/ICK70 M/B LA-3551P Schematic

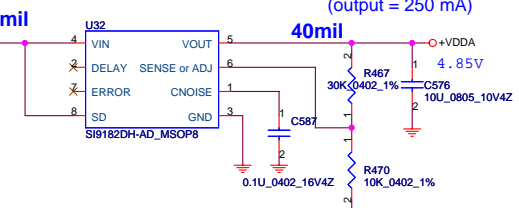


HD Audio Codec

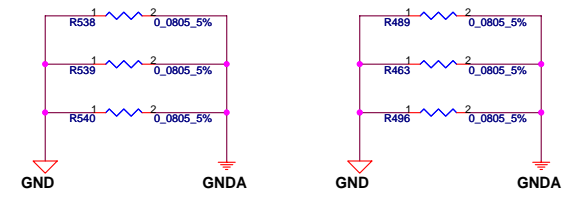


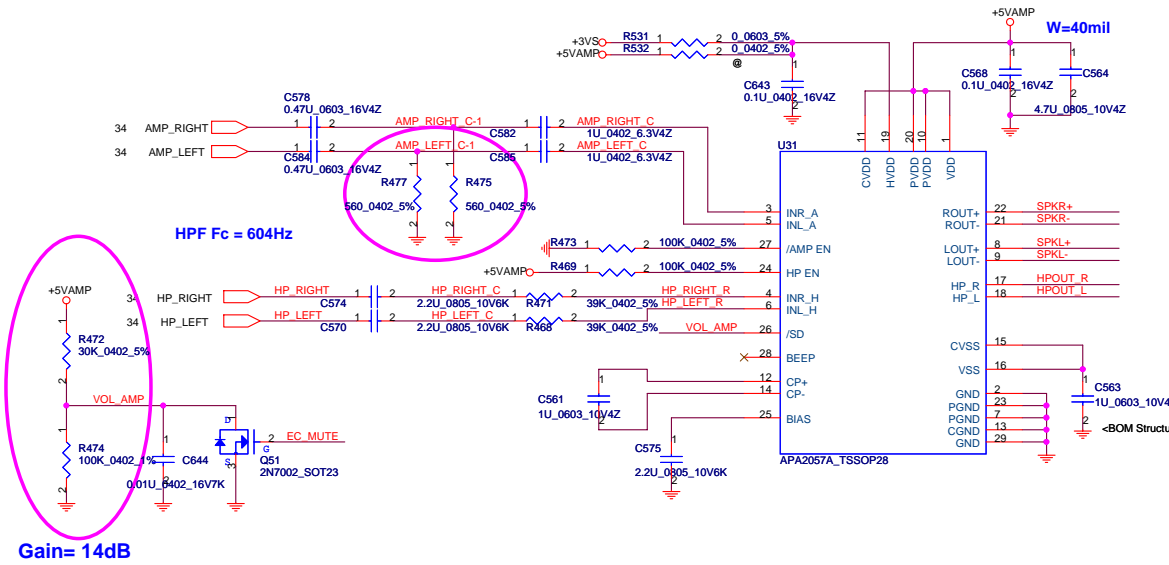
28.7K for Module Design (VDDA = 4.702)

(output = 250 mA)

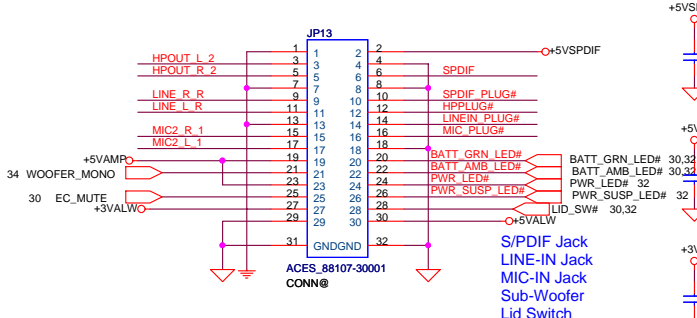


Sense Pin	Impedance	Codec Signals
SENSE A	39.2K	PORT-A (PIN 39, 41)
	20K	PORT-B (PIN 21, 22)
	10K	PORT-C (PIN 23, 24)
	5.1K	PORT-D (PIN 35, 36)
SENSE B	39.2K	PORT-E (PIN 14, 15)
	20K	PORT-F (PIN 16, 17)
	10K	PORT-G (PIN 43, 44)
	5.1K	PORT-H (PIN 45, 46)

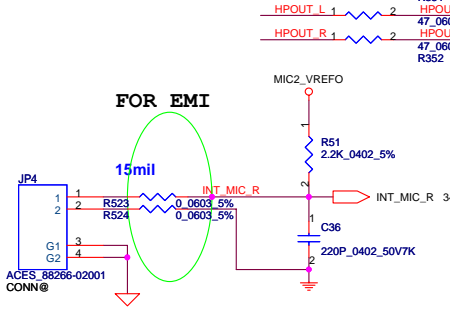




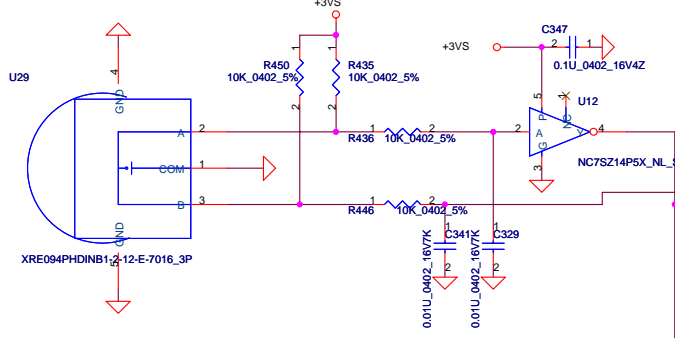
To AUDIO/B Connector



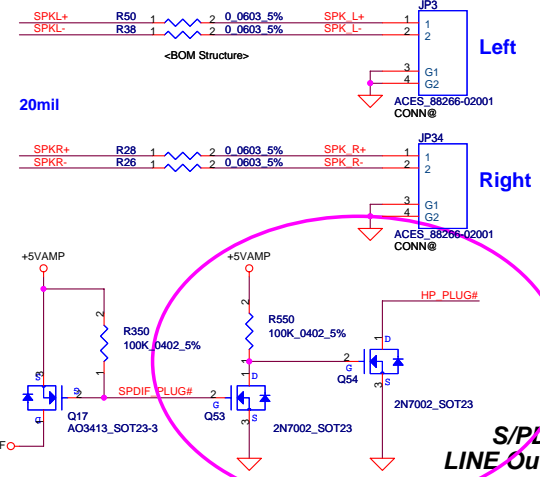
Int MIC Conn.



Volume Control Circuit

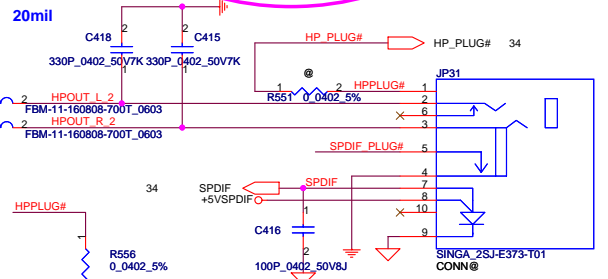


Int. Speaker Conn.

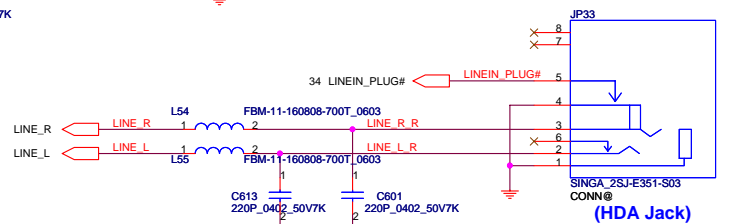


20mil

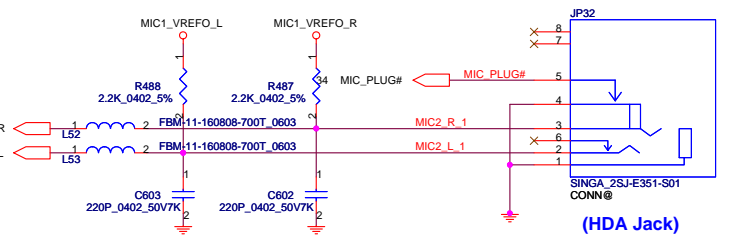
**S/PDIF Out JACK
LINE Out/Headphone Out**



LINE-IN JACK

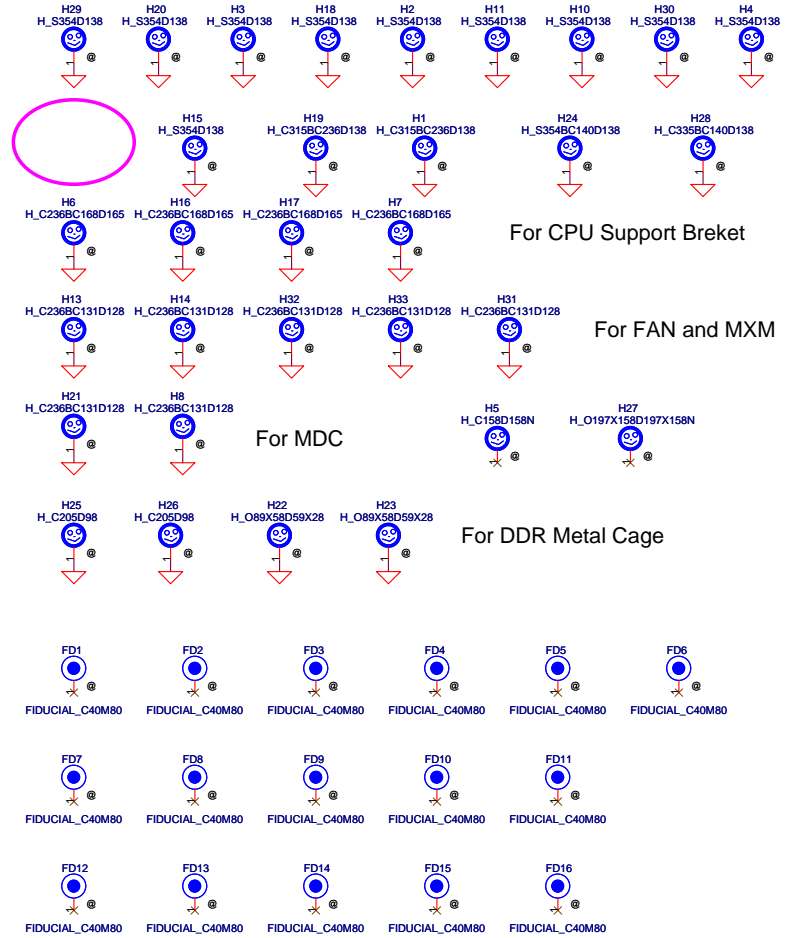
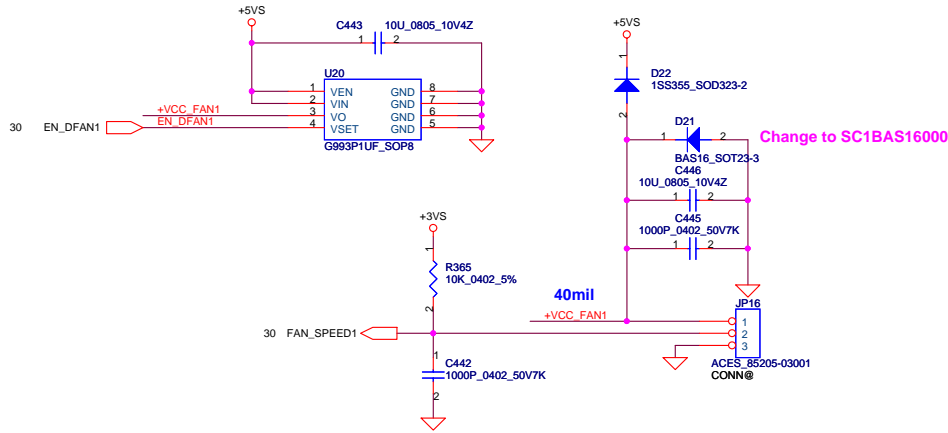


MIC JACK



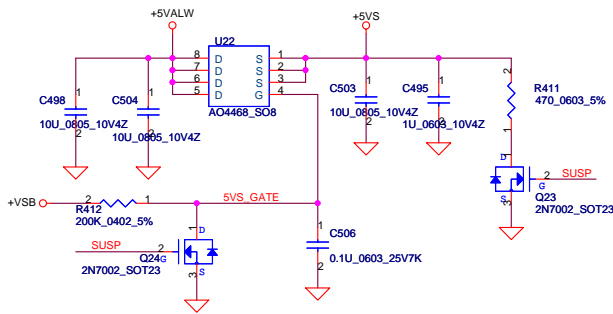
Security Classification	Compal Secret Data		Title
Issued Date	2006/12/25	Deciphered Date	2007/12/25
THIS SHEET OF ENGINEERING DRAWING IS THE PROPRIETARY PROPERTY OF COMPAL ELECTRONICS, INC. AND CONTAINS CONFIDENTIAL AND TRADE SECRET INFORMATION. THIS SHEET MAY NOT BE TRANSFERRED FROM THE CUSTODY OF THE COMPETENT DIVISION OF R&D DEPARTMENT EXCEPT AS AUTHORIZED BY COMPAL ELECTRONICS, INC. NEITHER THIS SHEET NOR THE INFORMATION IT CONTAINS MAY BE USED BY OR DISCLOSED TO ANY THIRD PARTY WITHOUT PRIOR WRITTEN CONSENT OF COMPAL ELECTRONICS, INC.			Compal Electronics, Inc. Amplifier & Audio Jack Document Number ICL50/ICK70 M/B LA-3551P Schematic Date: Monday, April 23, 2007
			Rev 35 of 48

FAN1 Conn

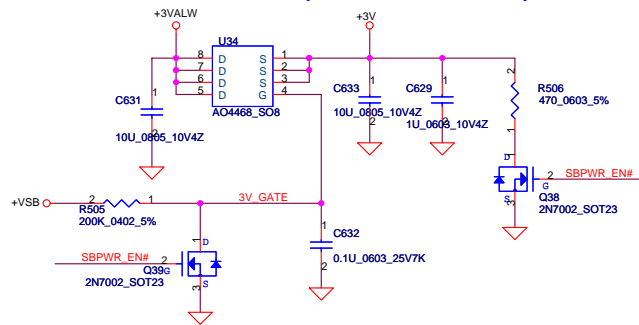


Security Classification	Compal Secret Data		Compal Electronics, Inc.	
Issued Date	2006/12/25	Deciphered Date	2007/12/25	Title
THIS SHEET OF ENGINEERING DRAWING IS THE PROPRIETARY PROPERTY OF COMPAL ELECTRONICS, INC. AND CONTAINS CONFIDENTIAL AND TRADE SECRET INFORMATION. THIS SHEET MAY NOT BE TRANSFERRED FROM THE CUSTODY OF THE COMPETENT DIVISION OF RESEARCH AND DEVELOPMENT DEPARTMENT EXCEPT AS AUTHORIZED BY COMPAL ELECTRONICS, INC. NEITHER THIS SHEET NOR THE INFORMATION IT CONTAINS MAY BE USED BY OR DISCLOSED TO ANY THIRD PARTY WITHOUT PRIOR WRITTEN CONSENT OF COMPAL ELECTRONICS, INC.				Document Number
				ICL50/ICK70 M/B LA-3551P Schematic
				Rev
				1
				Date: Monday, April 23, 2007
				Sheet 36 of 48

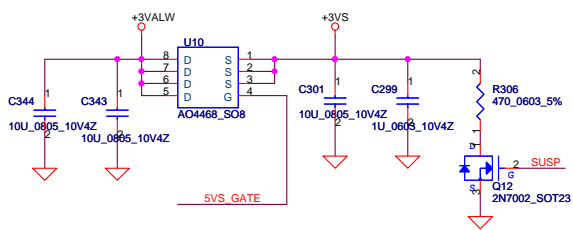
+5VALW TO +5VS



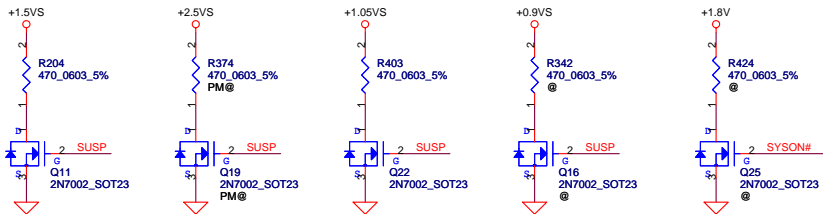
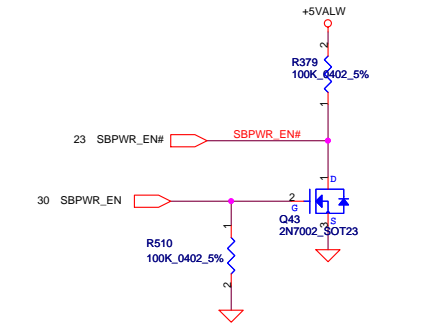
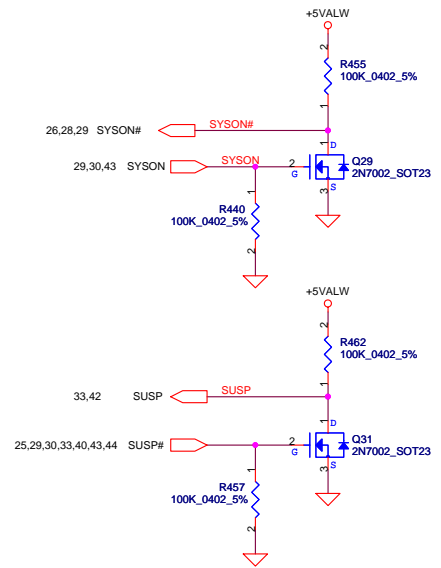
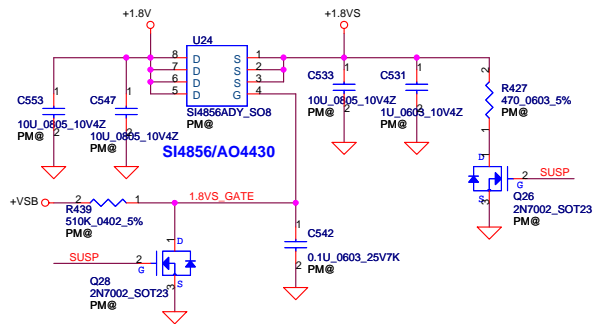
+3VALW TO +3V_SB(ICH8M AUX Power)



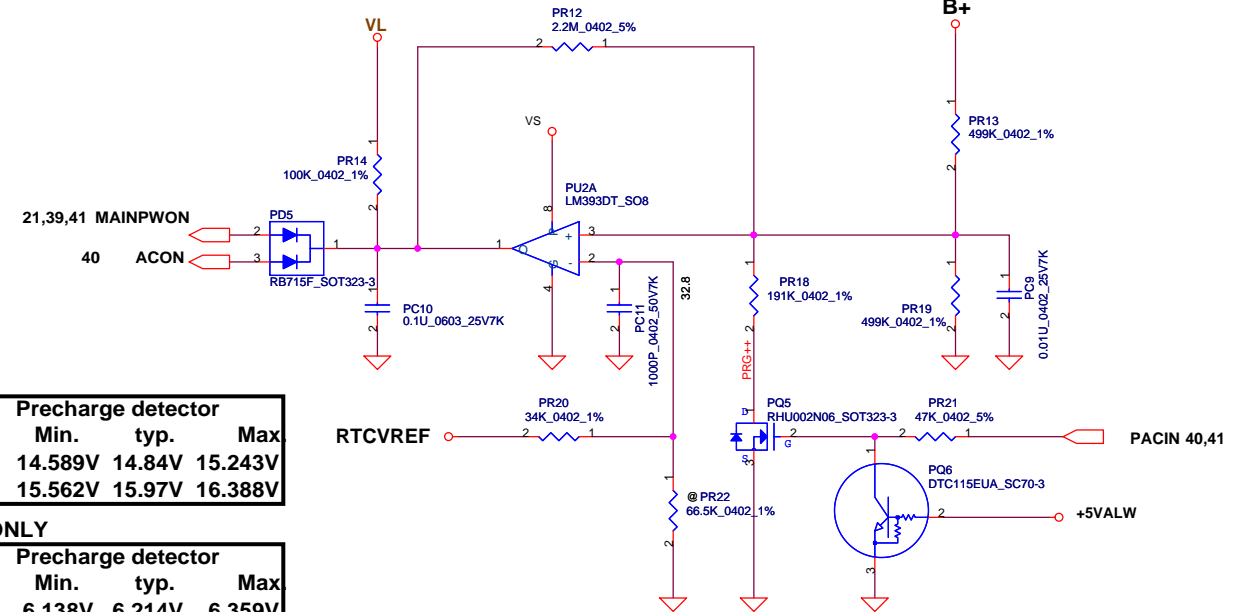
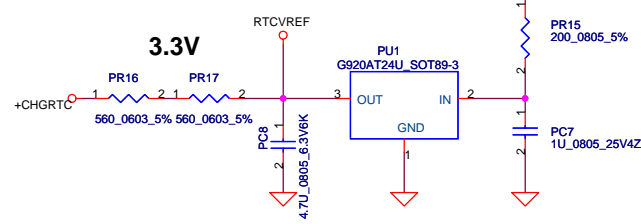
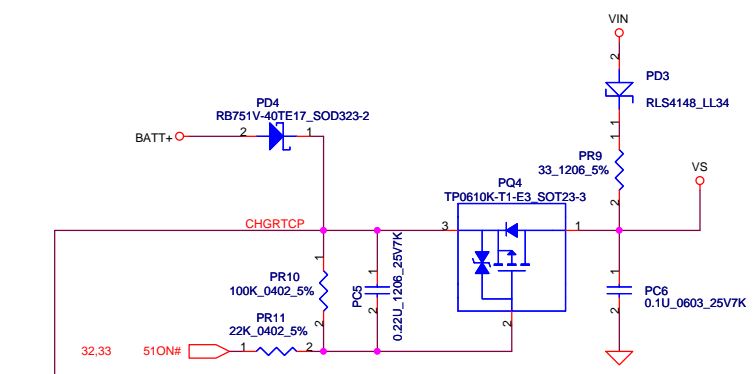
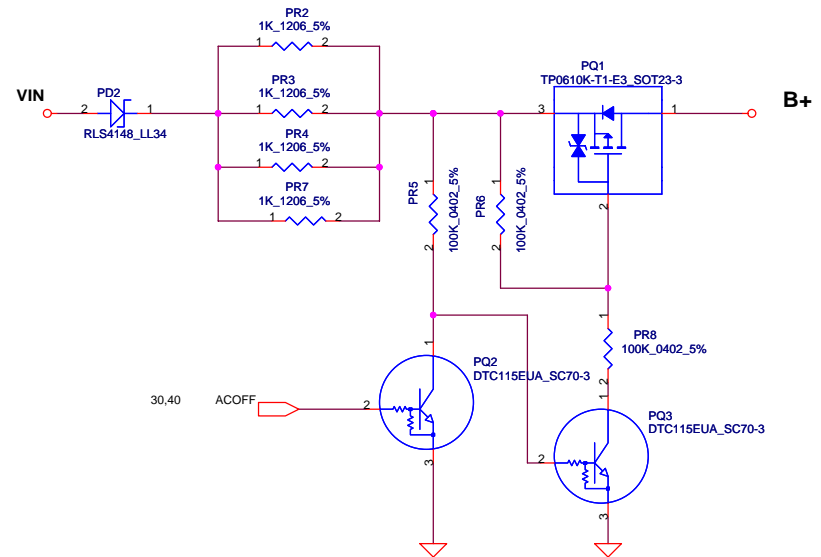
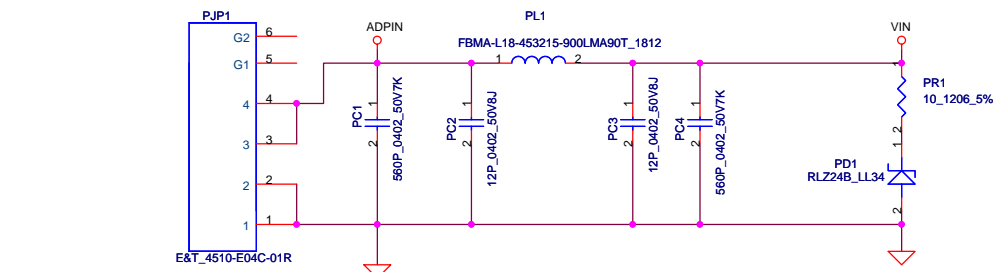
+3VALW TO +3VS



+1.8V to +1.8VS



Security Classification	Compal Secret Data			Compal Electronics, Inc.	
Issued Date	2006/12/25	Deciphered Date	2007/12/25	Title	
THIS SHEET OF ENGINEERING DRAWING IS THE PROPRIETARY PROPERTY OF COMPAL ELECTRONICS, INC. AND CONTAINS CONFIDENTIAL AND TRADE SECRET INFORMATION. THIS SHEET MAY NOT BE TRANSFERRED FROM THE CUSTODY OF THE COMPETENT DIVISION OF R&D DEPARTMENT EXCEPT AS AUTHORIZED BY COMPAL ELECTRONICS, INC. NEITHER THIS SHEET NOR THE INFORMATION IT CONTAINS MAY BE USED BY OR DISCLOSED TO ANY THIRD PARTY WITHOUT PRIOR WRITTEN CONSENT OF COMPAL ELECTRONICS, INC.				DC Interface	
				Document Number	Rev
				ICL50/ICK70 M/B LA-3551P Schematic	
				Date: Monday, April 23, 2007	Sheet 37 of 48



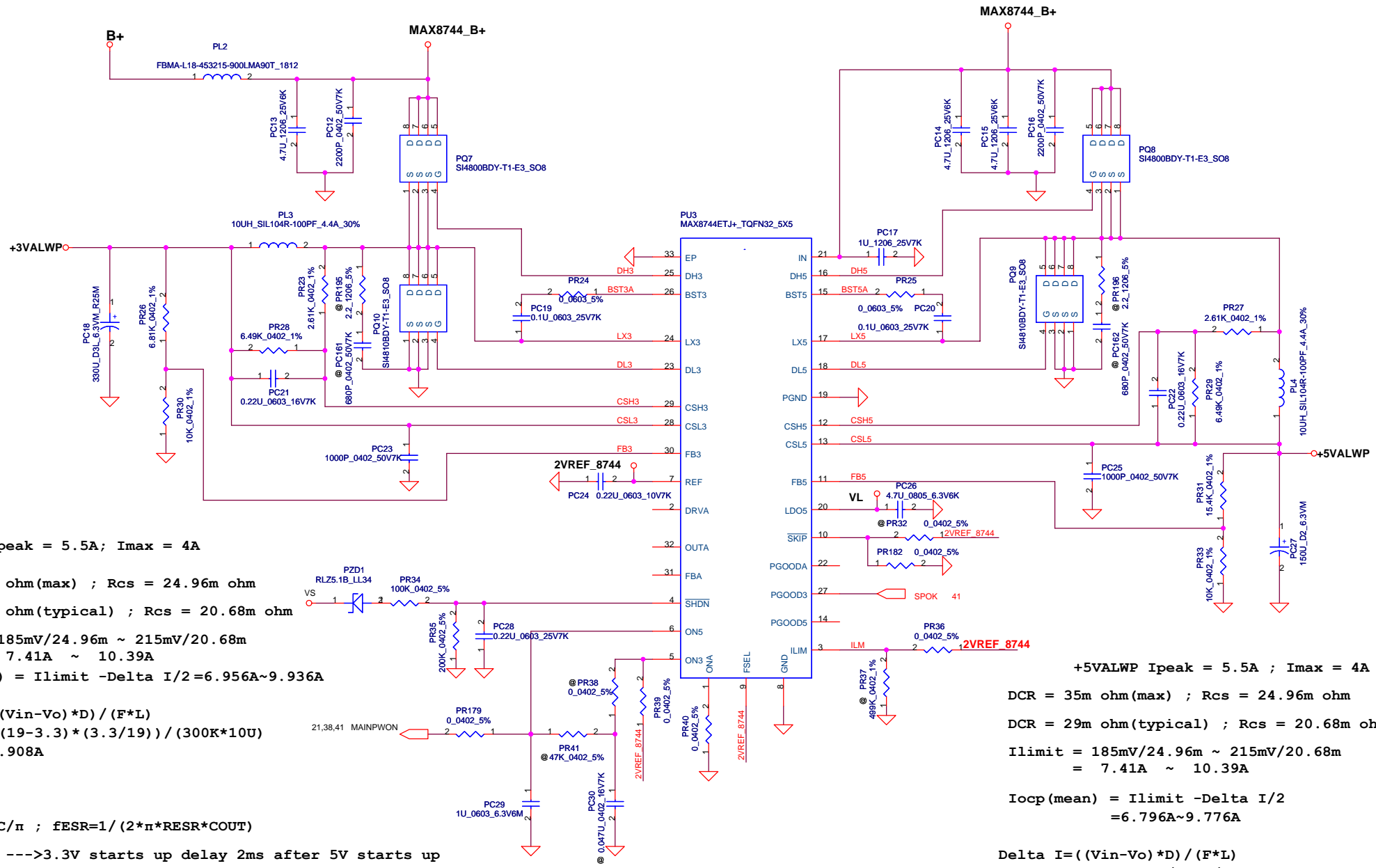
ACIN

Precharge detector			
	Min.	typ.	Max
H-->L	14.589V	14.84V	15.243V
L-->H	15.562V	15.97V	16.388V

BATT ONLY

Precharge detector			
	Min.	typ.	Max
H-->L	6.138V	6.214V	6.359V
L-->H	7.196V	7.349V	7.505V

Security Classification	Compal Secret Data		Title		Compal Electronics, Inc.	
Issued Date	2006/08/22	Deciphered Date	2007/08/22	DCIN/DECTOR		Rev
THIS SHEET OF ENGINEERING DRAWING IS THE PROPRIETARY PROPERTY OF COMPAL ELECTRONICS, INC. AND CONTAINS CONFIDENTIAL AND TRADE SECRET INFORMATION. THIS SHEET MAY NOT BE TRANSFERRED FROM THE CUSTODY OF THE COMPETENT DIVISION OF R&D DEPARTMENT EXCEPT AS AUTHORIZED BY COMPAL ELECTRONICS, INC. NEITHER THIS SHEET NOR THE INFORMATION IT CONTAINS MAY BE USED BY OR DISCLOSED TO ANY THIRD PARTY WITHOUT PRIOR WRITTEN CONSENT OF COMPAL ELECTRONICS, INC.				Document Number	ICL50/ICK70	1.0
Date:				Thursday, April 19, 2007	Sheet	38 of 48



+3VALWP Ipeak = 5.5A; Imax = 4A
 DCR = 35m ohm(max) ; Rcs = 24.96m ohm
 DCR = 29m ohm(typical) ; Rcs = 20.68m ohm
 Ilimit = 185mV/24.96m ~ 215mV/20.68m
 = 7.41A ~ 10.39A
 Iocp(mean) = Ilimit -Delta I/2=6.956A~9.936A

Delta I=((Vin-Vo)*D)/(F*L)
 =((19-3.3)*(3.3/19))/(300K*10U)
 =0.908A

Notes :
 fESR<=fOSC/π ; fESR=1/(2*π*RESR*COU)
 ON3 = REF --->3.3V starts up delay 2ms after 5V starts up

+5VALWP Ipeak = 5.5A ; Imax = 4A
 DCR = 35m ohm(max) ; Rcs = 24.96m ohm
 DCR = 29m ohm(typical) ; Rcs = 20.68m ohm
 Ilimit = 185mV/24.96m ~ 215mV/20.68m
 = 7.41A ~ 10.39A
 Iocp(mean) = Ilimit -Delta I/2
 =6.796A~9.776A

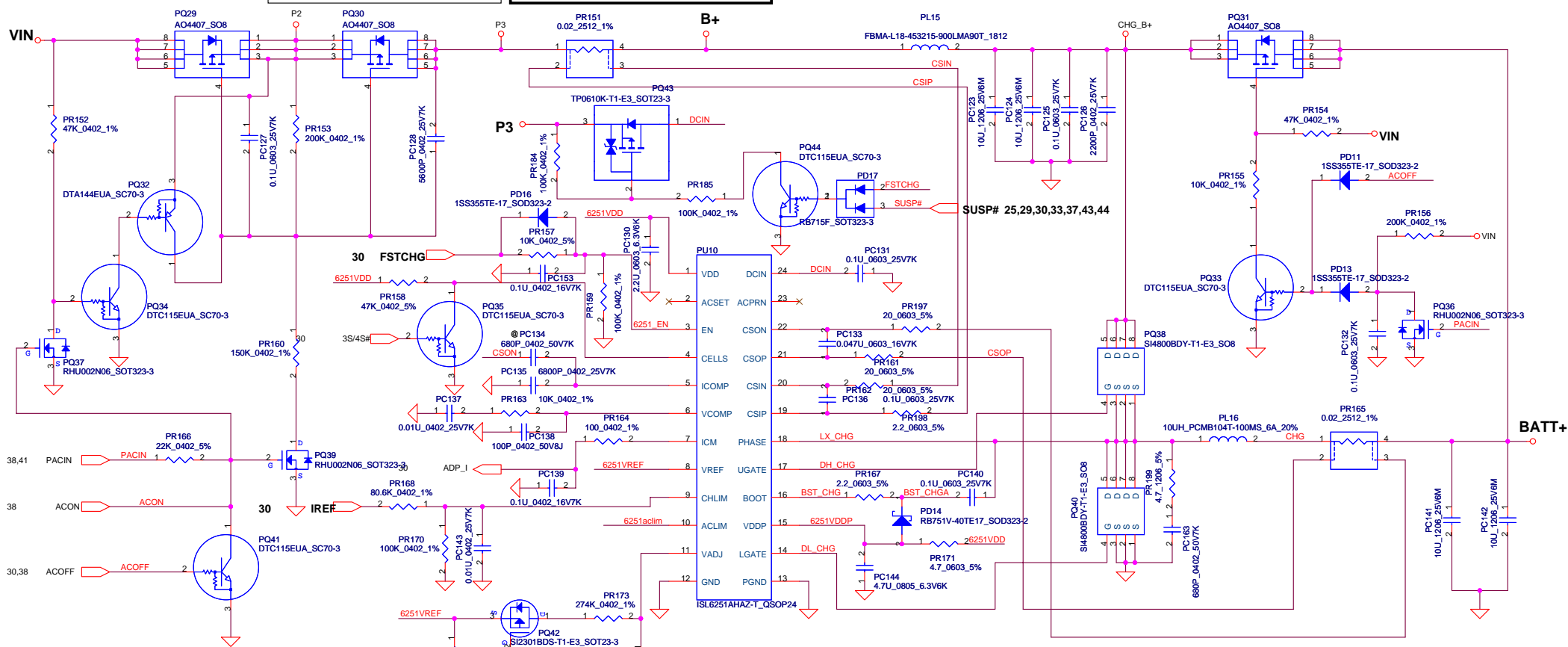
Delta I=((Vin-Vo)*D)/(F*L)
 =((19-5)*(5/19))/(300K*10U)
 1.228A

Security Classification		Compal Secret Data		Compal Electronics, Inc.	
Issued Date	2006/08/22	Deciphered Date	2007/08/22	Title	+5VALWP/+3VALWP
THIS SHEET OF ENGINEERING DRAWING IS THE PROPRIETARY PROPERTY OF COMPAL ELECTRONICS, INC. AND CONTAINS CONFIDENTIAL AND TRADE SECRET INFORMATION. THIS SHEET MAY NOT BE TRANSFERRED FROM THE CUSTODY OF THE COMPETENT DIVISION OF R&D DEPARTMENT EXCEPT AS AUTHORIZED BY COMPAL ELECTRONICS, INC. NEITHER THIS SHEET NOR THE INFORMATION IT CONTAINS MAY BE USED BY OR DISCLOSED TO ANY THIRD PARTY WITHOUT PRIOR WRITTEN CONSENT OF COMPAL ELECTRONICS, INC.					
Size	Custom	Document Number	ICL50/ICK70	Rev	1.0
Date:	Thursday, April 19, 2007	Sheet	39	of	48

Iada=0~4.74A (90W)

$ADP_I = 19.9 * I_{adapter} * R_{sense}$

$CP = 85% * I_{ada} ; CP = 4.07A$

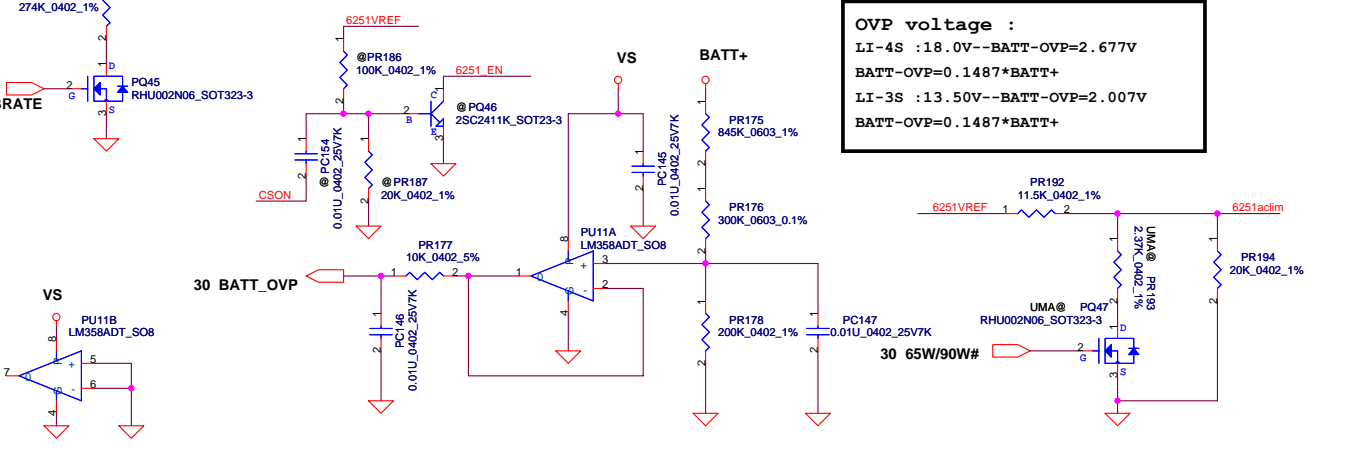


CP mode
 $I_{input} = (1/0.02) * ((0.05 * V_{aclim}) / 2.39 + 0.05)$
 where $V_{aclim} = 1.502V$, $I_{input} = 4.07A$
 $V_{aclim} = 2.39 * ((10K / 152K) / ((5.76K / 152K) + (10K / 152K)))$
 = 1.502V

CC=0.6~4.48A
 $I_{REF} = 0.7224 * I_{charge}$
 $I_{REF} = 0.43V \sim 3.24V$

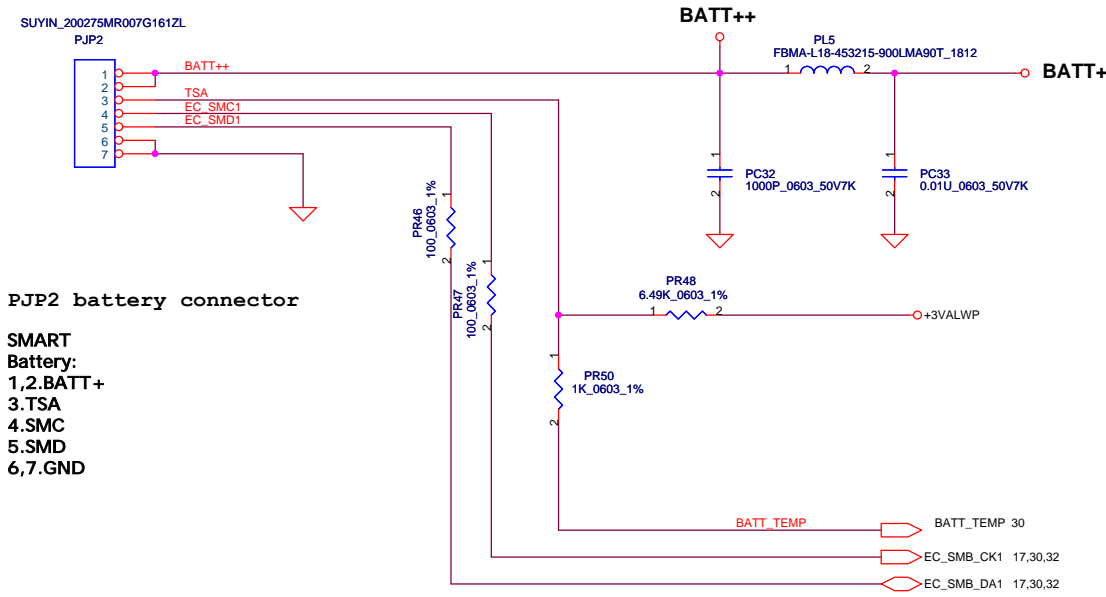
BATT Type	Charging Voltage (0x15)	3S/4S#	CHGSEL	CV mode
2800mAH 4S pack	17400mV	LOW	LOW	17.20V
2800mAH 3S pack	13050mV	HIGH	LOW	12.90V
Normal 4S LI-ON Cells	16800mV	LOW	HIGH	16.80V
Normal 3S LI-ON Cells	12600mV	HIGH	HIGH	12.60V
Wake up charge while no communication	-	HIGH	HIGH	12.60V

OVP voltage :
 LI-4S : 18.0V -- BATT-OVP = 2.677V
 BATT-OVP = 0.1487 * BATT+
 LI-3S : 13.50V -- BATT-OVP = 2.007V
 BATT-OVP = 0.1487 * BATT+

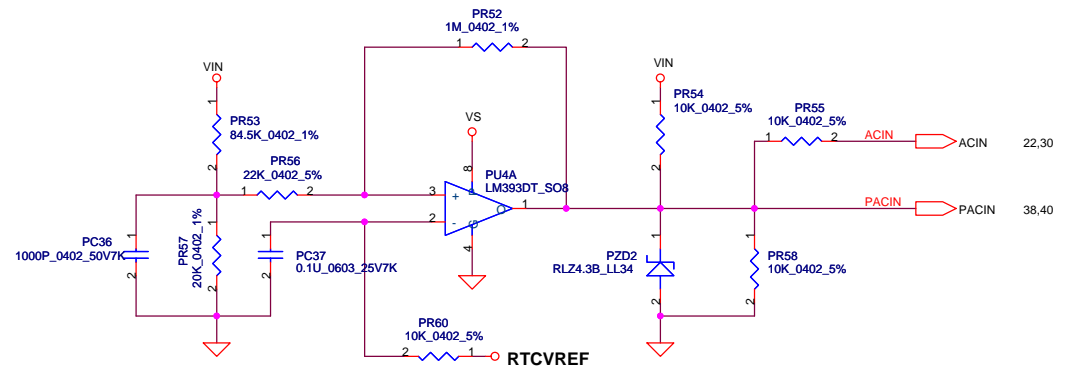
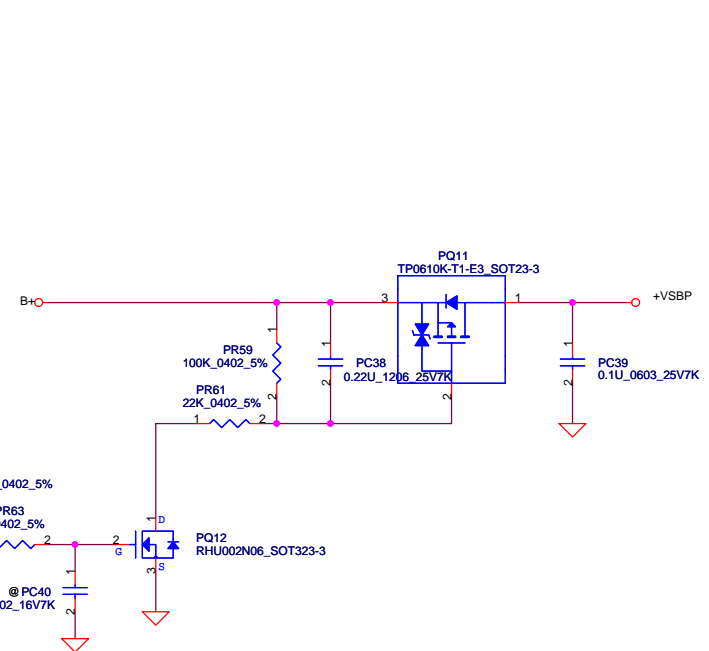
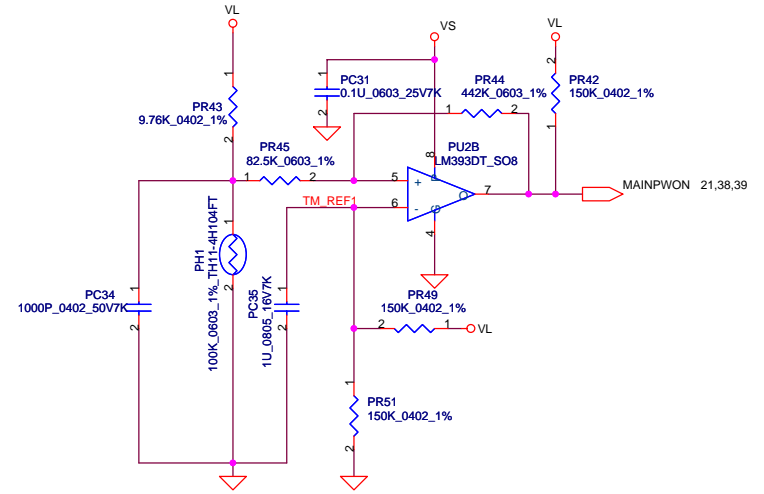


PH1 under CPU bottom side :
 CPU thermal protection at 90 degree C
 Recovery at 70 degree C

SUYIN_200275MR007G161ZL
 PJP2

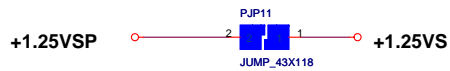
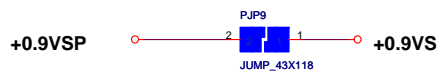
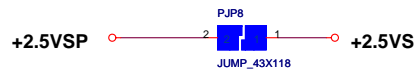
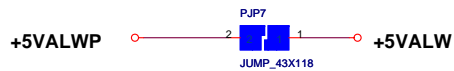
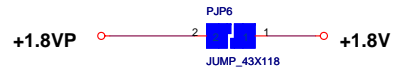
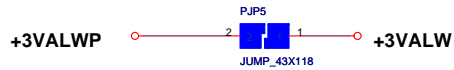
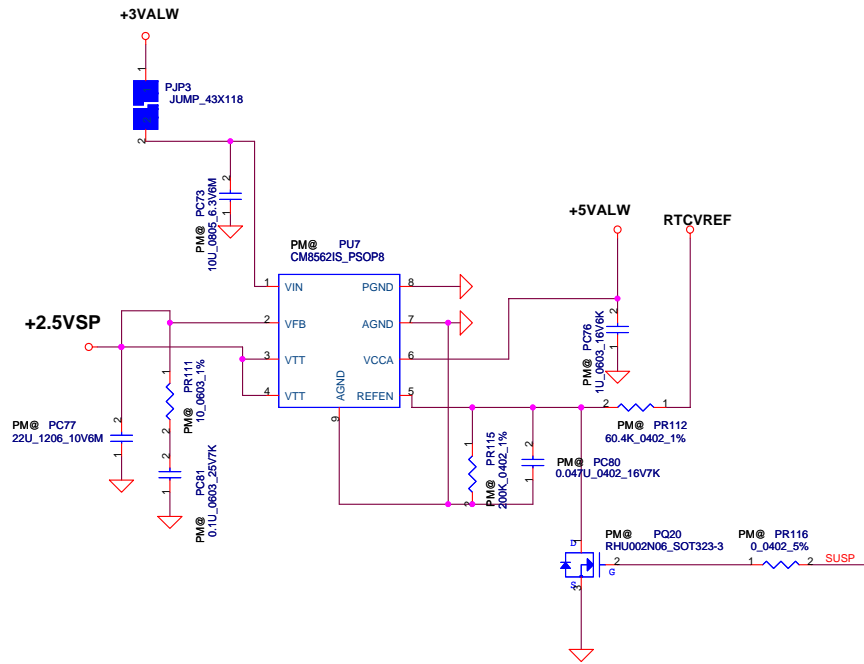
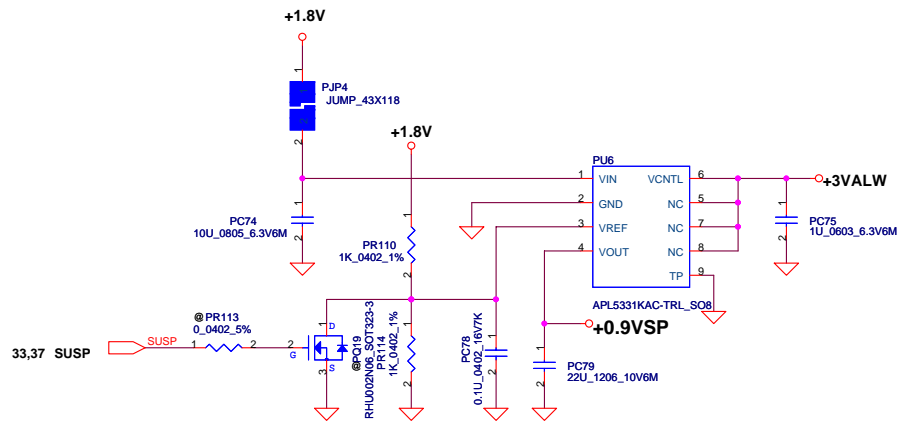


PJP2 battery connector
 SMART Battery:
 1.2.BATT+
 3.TSA
 4.SMC
 5.SMD
 6,7.GND

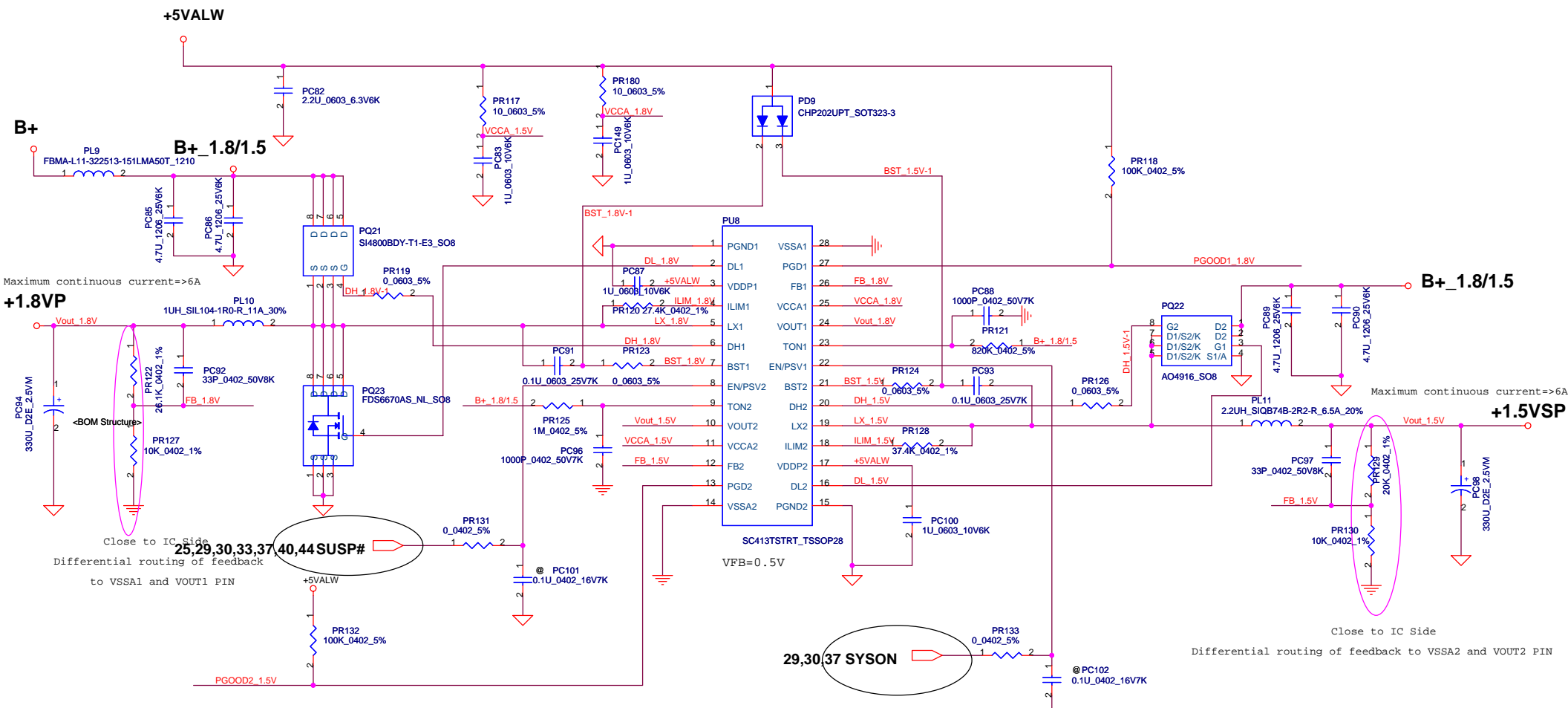


	Min.	typ.	Max.
H-->L	16.976V	17.257V	17.728V
L-->H	17.430V	17.901V	18.384V

Security Classification		Compal Secret Data		Compal Electronics, Inc.	
Issued Date	2006/08/22	Deciphered Date	2007/08/22	Title	BATTERY CONN. / OTP
THIS SHEET OF ENGINEERING DRAWING IS THE PROPRIETARY PROPERTY OF COMPAL ELECTRONICS, INC. AND CONTAINS CONFIDENTIAL AND TRADE SECRET INFORMATION. THIS SHEET MAY NOT BE TRANSFERRED FROM THE CUSTODY OF THE COMPETENT DIVISION OF R&D DEPARTMENT EXCEPT AS AUTHORIZED BY COMPAL ELECTRONICS, INC. NEITHER THIS SHEET NOR THE INFORMATION IT CONTAINS MAY BE USED BY OR DISCLOSED TO ANY THIRD PARTY WITHOUT PRIOR WRITTEN CONSENT OF COMPAL ELECTRONICS, INC.					
Size	Document Number	Rev			
B	ICL50/ICK70	1.0			
Date:	Thursday, April 19, 2007	Sheet	41	of	48



Security Classification		Compal Secret Data		Title	
Issued Date	2006/08/22	Deciphered Date	2007/08/22	+0.9VSP/+2.5VSP	
THIS SHEET OF ENGINEERING DRAWING IS THE PROPRIETARY PROPERTY OF COMPAL ELECTRONICS, INC. AND CONTAINS CONFIDENTIAL AND TRADE SECRET INFORMATION. THIS SHEET MAY NOT BE TRANSFERRED FROM THE CUSTODY OF THE COMPETENT DIVISION OF R&D DEPARTMENT EXCEPT AS AUTHORIZED BY COMPAL ELECTRONICS, INC. NEITHER THIS SHEET NOR THE INFORMATION IT CONTAINS MAY BE USED BY OR DISCLOSED TO ANY THIRD PARTY WITHOUT PRIOR WRITTEN CONSENT OF COMPAL ELECTRONICS, INC.				Document Number	Rev
				Custom	1.0
				Date:	Thursday, April 19, 2007
				Sheet	42 of 48



Maximum continuous current=>6A

Maximum continuous current=>6A

VFB=0.5V
 $V_o = VFB * (1 + PR122 / PR127) = 1.805V$
Ipeak=11.73A, I_{max}=8.211A
 $Ton = (3.3E-12 * (PR121 + 37K) * (Vout / VBat)) + 50ns$
 $= 3.3 * 10e-12 * (820K + 37K) * (1.8 / 19) + 50ns = 0.3179us$
 FDS6670AS:Rds(on) => Typ: 9 mOhm
 Max: 11.5 mOhm
 $I_{ocp} = I_{valley} + "I_{ripple} / 2"$
 $I_{ripple} = (vin - vout) * (Ton / L) = 5.467A, 1/2 I_{ripple} = 2.734A$
 $I_{valleymin} = 10E-6 * (PR120 / Rds(ON))_{max} * 1.5$
 $= 9 * 10e-6 * (27.4K / 0.0115 * 1.5) = 14.295A > 11.73 * 1.2 = 14.076A$
 $I_{valleymax} = 10E-6 * (PR120 / Rds(ON))_{typ} * 1.2$
 $= 11 * 10e-6 * (27.4K / 0.009 * 1.2) = 27.907A$
 OCP ==> 17.029A ~ 30.641A

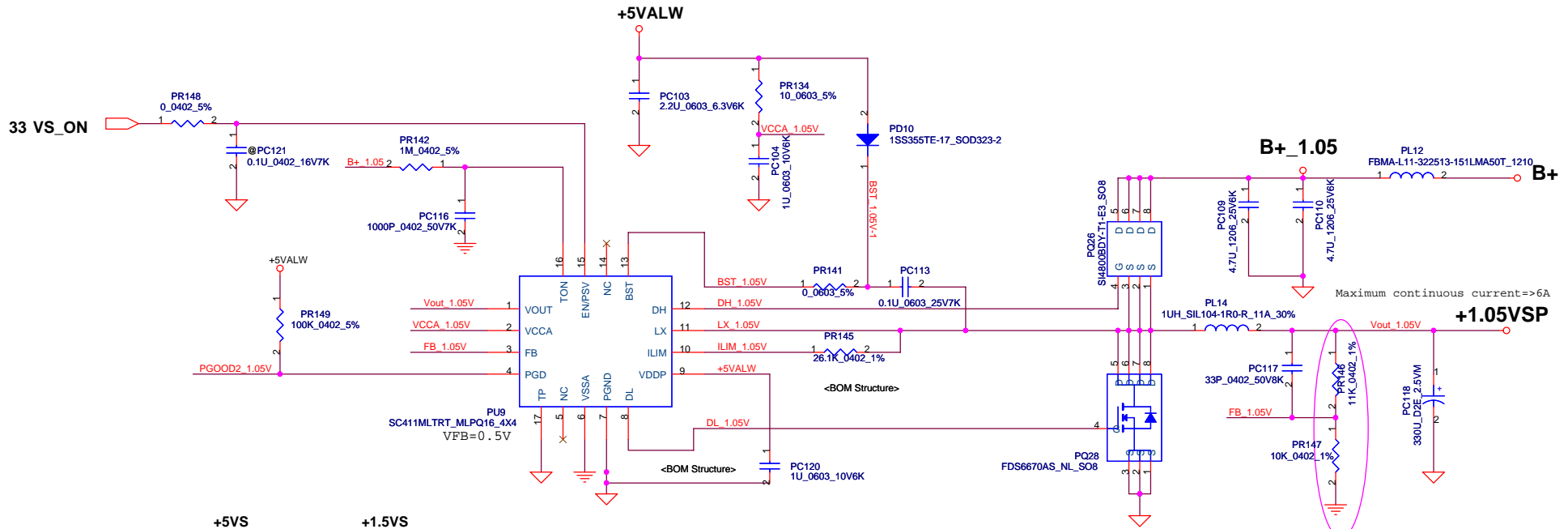
VFB=0.5V
 $V_o = VFB * (1 + PR129 / PR130) = 1.5V$
I_{peak}=4.39A + 2.91A = 7.3A, I_{max}=7.3 * 0.7 = 5.11A
 $Ton = (3.3E-12 * (PR125 + 37K) * (Vout / VBat)) + 50ns$
 $= 0.3201us$
 AO4916 Rds(on) => Typ: 21 mOhm
 Max: 27 mOhm
 $I_{valleymin} = 9 * E-6 * (37.4K / 0.027 * 1.4) = 8.904A > 7.3 * 1.2 = 8.76A$
 $I_{valleymax} = 11 * E-6 * (37.4K / 0.021 * 1.1) = 17.809A$
 $I_{ripple} = (vin - vout) * (Ton / L) = 2.546A, 1/2 I_{ripple} = 1.273A$
 $I_{ocp} = I_{valley} + "I_{ripple} / 2"$
 OCP ==> 10.177A ~ 19.082A

29,30,37 SYSON

Security Classification		Compal Secret Data		Title	
Issued Date	2006/08/22	Deciphered Date	2007/08/22	+1.5VSP/+1.8VP	
THIS SHEET OF ENGINEERING DRAWING IS THE PROPRIETARY PROPERTY OF COMPAL ELECTRONICS, INC. AND CONTAINS CONFIDENTIAL AND TRADE SECRET INFORMATION. THIS SHEET MAY NOT BE TRANSFERRED FROM THE CUSTODY OF THE COMPETENT DIVISION OF R&D DEPARTMENT EXCEPT AS AUTHORIZED BY COMPAL ELECTRONICS, INC. NEITHER THIS SHEET NOR THE INFORMATION IT CONTAINS MAY BE USED BY OR DISCLOSED TO ANY THIRD PARTY WITHOUT PRIOR WRITTEN CONSENT OF COMPAL ELECTRONICS, INC.					
Date:	Thursday, April 19, 2007	Sheet	43	of	48

Compal Electronics, Inc.

Document Number ICL50/ICK70 Rev 1.0



Maximum continuous current=>6A

Close to IC Side
Differential routing of feedback to VSSA2 and VOUT2 PIN

VFB=0.5V, Ipeak=14.02A, Imax=9.814A

The current rating of +1.05VSP include +VCC_GFX current.

$V_o = VFB * (1 + PR146 / PR147) = 1.05V$

$Ton = (3.3E-12 * (PR142 + 37K) * (Vout / VBat)) + 50ns = 0.2391us$

SI4810BDY:Rds(on) => Typ: 9mOhm
Max: 11.5 mOhm

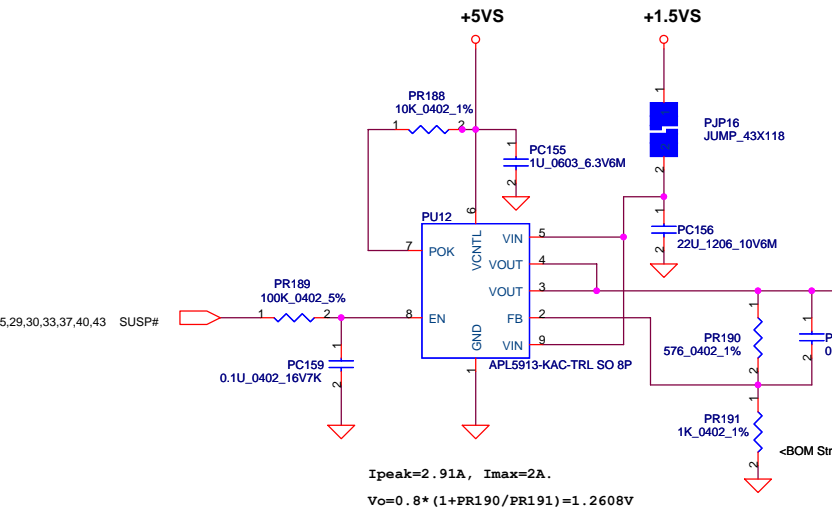
$Ivalleymin = 9 * 10E-6 * (PR145 / Rds(ON)max * 1.5)$
 $= 9 * 10E-6 * (26.1K / (0.0115 * 1.5)) = 13.617A$

$Ivalleymax = 11 * 10E-6 * (PR145 / Rds(ON)min * 1.2)$
 $= 11 * 10E-6 * (26.1K / (0.009 * 1.3)) = 20.076A$

$Iripple = (vin - vout) * (Ton / L) = 4.292A, 1/2 Iripple = 2.146A$

$Iocp = Ivalley + Iripple / 2$

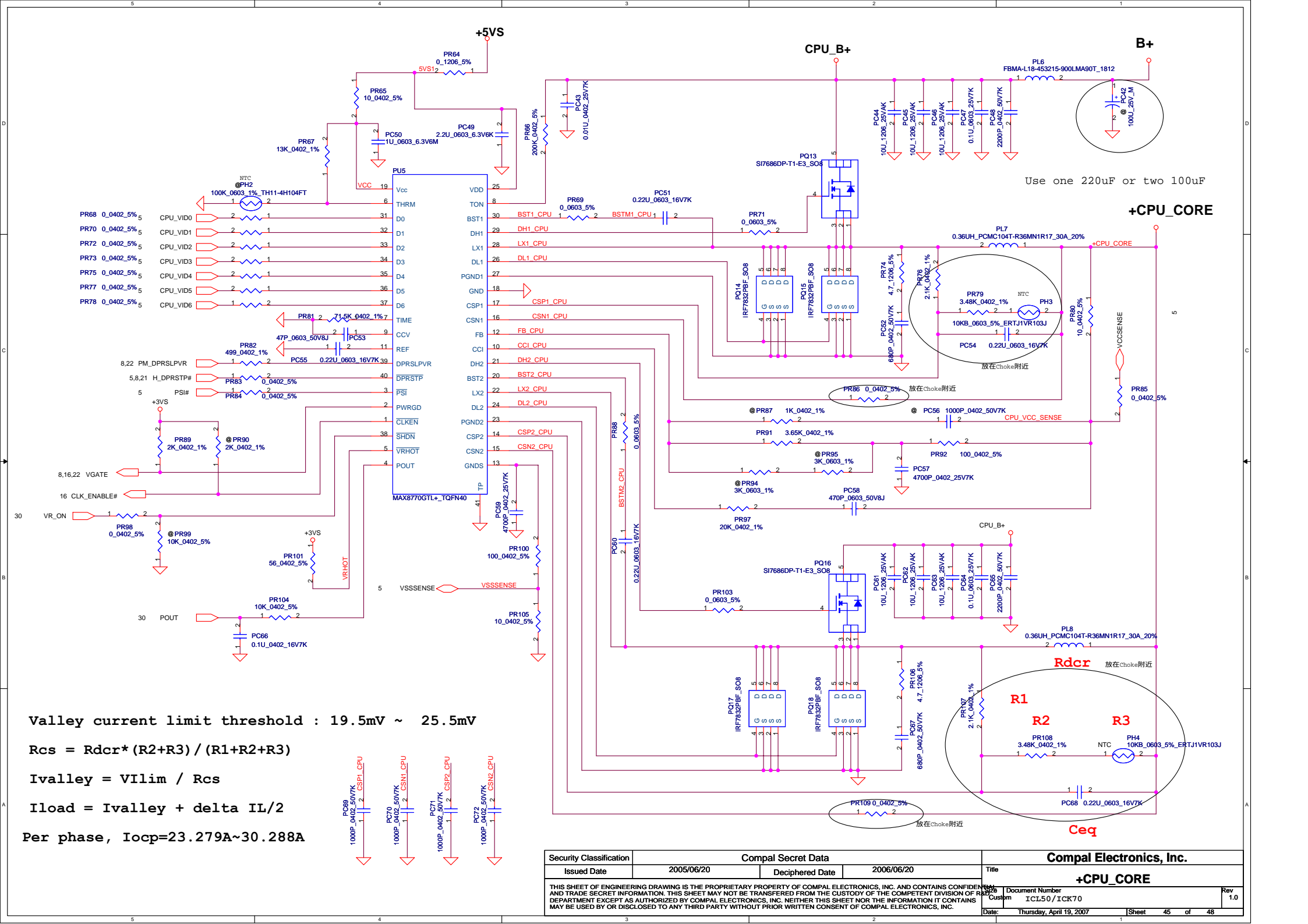
OCP ==> 15.763A ~ 22.222A



Ipeak=2.91A, Imax=2A.

$V_o = 0.8 * (1 + PR190 / PR191) = 1.2608V$

Security Classification		Compal Secret Data		Title	
Issued Date	2006/08/22	Deciphered Date	2007/08/22	+1.25VSP/+1.05VSP	
THIS SHEET OF ENGINEERING DRAWING IS THE PROPRIETARY PROPERTY OF COMPAL ELECTRONICS, INC. AND CONTAINS CONFIDENTIAL AND TRADE SECRET INFORMATION. THIS SHEET MAY NOT BE TRANSFERRED FROM THE CUSTODY OF THE COMPETENT DIVISION OF R&D DEPARTMENT EXCEPT AS AUTHORIZED BY COMPAL ELECTRONICS, INC. NEITHER THIS SHEET NOR THE INFORMATION IT CONTAINS MAY BE USED BY OR DISCLOSED TO ANY THIRD PARTY WITHOUT PRIOR WRITTEN CONSENT OF COMPAL ELECTRONICS, INC.					
Size	Document Number	Date	Thursday, April 19, 2007	Sheet	44 of 48
Custom	ICL50/ICK70				1.0



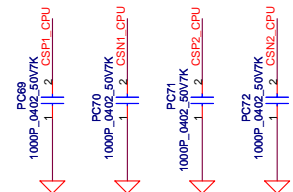
Valley current limit threshold : 19.5mV ~ 25.5mV

$$R_{cs} = R_{dcr} * (R2 + R3) / (R1 + R2 + R3)$$

$$I_{valley} = V_{lim} / R_{cs}$$

$$I_{load} = I_{valley} + \Delta I_L / 2$$

Per phase, $I_{ocp} = 23.279A \sim 30.288A$



Security Classification	Compal Secret Data		Title	
Issued Date	2005/06/20	Deciphered Date	2006/06/20	Compal Electronics, Inc.
THIS SHEET OF ENGINEERING DRAWING IS THE PROPRIETARY PROPERTY OF COMPAL ELECTRONICS, INC. AND CONTAINS CONFIDENTIAL AND TRADE SECRET INFORMATION. THIS SHEET MAY NOT BE TRANSFERRED FROM THE CUSTODY OF THE COMPETENT DIVISION OF R&D DEPARTMENT EXCEPT AS AUTHORIZED BY COMPAL ELECTRONICS, INC. NEITHER THIS SHEET NOR THE INFORMATION IT CONTAINS MAY BE USED BY OR DISCLOSED TO ANY THIRD PARTY WITHOUT PRIOR WRITTEN CONSENT OF COMPAL ELECTRONICS, INC.				+CPU_CORE Document Number: ICL50/ICK70 Rev: 1.0 Date: Thursday, April 19, 2007 Sheet 45 of 48

Item	Fixed Issue	Reason for change	Rev.	PG#	Modify List	Date	Phase
1	CPU_CORE high side MOS desine change	In order to prevent EOL of SI7840, change to SI7686.	0.1	45	Change PQ13 and PQ16 form SB578400080(S TR SI7840DP-T1-E3 1N SO8) to SB000008L80(S TR SI7686DP-T1-E3 1N SO8).	10/30/06	EVT
2	For energy star SPEC request.	In order to for energy star SPEC request.	0.2	40	Add PQ43 SB906100210(S TR TP0610K)	12/21/06	DVT
3	For energy star SPEC request.	In order to for energy star SPEC request.	0.2	40	Add PQ44 SB301150000(S TR DTC115EUA)	12/21/06	DVT
4	For energy star SPEC request.	In order to for energy star SPEC request.	0.2	40	Add PD16 SC1SS355010(S DIO 1SS355) Delete PD12 SC1SS355010(S DIO 1SS355)	12/21/06	DVT
5	For energy star SPEC request.	In order to for energy star SPEC request.	0.2	40	Add PD17 SCSB715F000(S DIO RB715F)	12/21/06	DVT
6	For energy star SPEC request.	In order to for energy star SPEC request.	0.2	40	Add PR184,PR185 SD034100380(S RES 1/16W 100K 0402 1%)	12/21/06	DVT
7	For energy star SPEC request.	In order to for energy star SPEC request.	0.2	40	Add PC153 SE076104K80(S CER CAP 0.1U 0402 16V K X7R)	12/21/06	DVT
8	For energy star SPEC request.	In order to for energy star SPEC request.	0.2	40	Add PQ45 SB502060000(S TR RHU002N06)	12/21/06	DVT
9	For energy star SPEC request.	In order to for energy star SPEC request.	0.2	40	Add PQ46 SB324110010(S TR 2SC411K)	12/21/06	DVT
10	For energy star SPEC request.	In order to for energy star SPEC request.	0.2	40	Add PR183 SD034274380(S RES 1/16W 274K 0402 1%)	12/21/06	DVT
11	For energy star SPEC request.	In order to for energy star SPEC request.	0.2	40	Add PR186 SD034100380(S RES 1/16W 100K 0402 1%)	12/21/06	DVT
12	For energy star SPEC request.	In order to for energy star SPEC request.	0.2	40	Add PR187 SD034200280(S RES 1/16W 20K 0402 1%)	12/21/06	DVT
13	For energy star SPEC request.	In order to for energy star SPEC request.	0.2	40	Add PC154 and PC146 SE075103K80(S CER CAP 0.01U K 25V X7R 0402)	12/21/06	DVT
14	Noise issue in S3 mode and idle mode.	In order to prevent noise issue in S3 mode and idle mode.	0.2	40	Add PC42 SF22004M210(S CAP 220U 25V_M)	12/21/06	DVT
15	For energy star SPEC request.	In order to for energy star SPEC request.	0.2	40	Change PR157 from SD028000080(s res 1/16w 0 0402 5%) TO SD0281000280(S RES 1/16W 10K 0402 5%)	12/21/06	DVT
16	Improve pre-charge power sequence	Improve pre-charge power sequence	0.2	39	Change PR34 from SD028470280(S RES 1/16W 47K 0402 5%) to SD028100380(S RES 1/16W 100K 0402 5%)	12/21/06	DVT
17	Improve pre-charge power sequence	Improve pre-charge power sequence	0.2	39	Change PR35 SD028100380(S RES 1/16W 100K 0402 5%) to SD028200380(S RES 1/16W 200K 0402 5%)	12/21/06	DVT
18	Improve pre-charge power sequence	Improve pre-charge power sequence	0.2	39	Change PC28 from SE042104K80(S CER CAP 0.1U 25V K X7R 0603) to SE000005ZM8(S CER CAP 0.22U 25V K X7R 0603)	12/21/06	DVT
19	CPU MOSFET switching has interference.	Improve CPU switching interference.	0.2	45	Change PC69,PC70,PC71,PC72 from SE082221J80 to SE068102J80(S CER CAP 1000P 25V J NPO 0402)	12/21/06	DVT
20	X63470BOL01 doesn't need +2.5VSP	Delete +2.5VSP from X63470BOL01.	0.2	42	Delete PU7 SA085620080 from X63470BOL01.	12/21/06	DVT
21	X63470BOL01 doesn't need +2.5VSP	Delete +2.5VSP from X63470BOL01.	0.2	42	Delete PQ20 SB502060000 from X63470BOL01.	12/21/06	DVT
22	X63470BOL01 doesn't need +2.5VSP	Delete +2.5VSP from X63470BOL01.	0.2	42	Delete PR111 SD014100A80 from X63470BOL01.	12/21/06	DVT
23	X63470BOL01 doesn't need +2.5VSP	Delete +2.5VSP from X63470BOL01.	0.2	42	Delete PR112 SD034604280 from X63470BOL01.	12/21/06	DVT

Compal Electronics, Inc.			
Title PIR (PWR)			
Size	Document Number	ICL50 LA-3551P	Rev 1.0
Date:	Thursday, April 19, 2007	Sheet	46 of 48

Item	Fixed Issue	Reason for change	Rev.	PG#	Modify List	Date	Phase
1	X63470BOL01 doesn't need +2.5VSP	Delete +2.5VSP from X63470BOL01.	0.2	42	Delete PR115 SD034200380 from X63470BOL01.	10/30/06	EVT
2	X63470BOL01 doesn't need +2.5VSP	Delete +2.5VSP from X63470BOL01.	0.2	42	Delete PR116 SD028000080 from X63470BOL01.	12/21/06	DVT
3	X63470BOL01 doesn't need +2.5VSP	Delete +2.5VSP from X63470BOL01.	0.2	42	Delete PC73 SE142475K80 from X63470BOL01.	12/21/06	DVT
4	X63470BOL01 doesn't need +2.5VSP	Delete +2.5VSP from X63470BOL01.	0.2	42	Delete PC76 SE135105K80 from X63470BOL01.	12/21/06	DVT
5	X63470BOL01 doesn't need +2.5VSP	Delete +2.5VSP from X63470BOL01.	0.2	42	Delete PC77 SE116226M80 from X63470BOL01.	12/21/06	DVT
6	X63470BOL01 doesn't need +2.5VSP	Delete +2.5VSP from X63470BOL01.	0.2	42	Delete PC80 SE076473K80 from X63470BOL01.	12/21/06	DVT
7	X63470BOL01 doesn't need +2.5VSP	Delete +2.5VSP from X63470BOL01.	0.2	42	Delete PC81 SE042104K80 from X63470BOL01.	12/21/06	DVT
8	Cost issue.	For cost down, change +1.25VSP solution.	0.3	44	Delete PQ25 SB548000310 (S TR SI4800BDY).	12/27/06	DVT
9	Cost issue.	For cost down, change +1.25VSP solution.	0.3	44	Delete PQ27 SB548100020 (S TR 4810BDY)	12/27/06	DVT
10	Cost issue.	For cost down, change +1.25VSP solution.	0.3	44	Change PD10 from SC1P202U010 to SC1SS355010.	12/27/06	DVT
11	Cost issue.	For cost down, change +1.25VSP solution.	0.3	44	Delete PR135 SD034100380.	12/27/06	DVT
12	Cost issue.	For cost down, change +1.25VSP solution.	0.3	44	Delete PR140,SD013000080, PR150 SD028000080.	12/27/06	DVT
13	Cost issue.	For cost down, change +1.25VSP solution.	0.3	44	Delete PR181 SD013100A80.	12/27/06	DVT
14	Cost issue.	For cost down, change +1.25VSP solution.	0.3	44	Delete PR139 SD034150280.	12/27/06	DVT
15	Cost issue.	For cost down, change +1.25VSP solution.	0.3	44	Delete PR144 SD034100280	12/27/06	DVT
16	Cost issue.	For cost down, change +1.25VSP solution.	0.3	44	Delete PR137 SD034105280.	12/27/06	DVT
17	Cost issue.	For cost down, change +1.25VSP solution.	0.3	44	Delete PR138 SD028100480.	12/27/06	DVT
18	Cost issue.	For cost down, change +1.25VSP solution.	0.3	44	Delete PC105,PC106 SE142475K80.	12/27/06	DVT
19	Cost issue.	For cost down, change +1.25VSP solution.	0.3	44	Delete PC107,PC151 SE080105K80.	12/27/06	DVT
20	Cost issue.	For cost down, change +1.25VSP solution.	0.3	44	Delete PC108 SE074102K80.	12/27/06	DVT
21	Cost issue.	For cost down, change +1.25VSP solution.	0.3	44	Delete PC111 SE042104K80.	12/27/06	DVT
22	Cost issue.	For cost down, change +1.25VSP solution.	0.3	44	Delete PC112 SE068330K80	12/27/06	DVT
24	Cost issue.	For cost down, change +1.25VSP solution.	0.3	44	Delete PL13 SH000008Y80.	12/27/06	DVT

Compal Electronics, Inc.			
Title			
PIR (PWR)			
Size	Document Number	ICL50	LA-3551P
			Rev 1.0
Date:	Thursday, April 19, 2007	Sheet	47 of 48

Item	Fixed Issue	Reason for change	Rev.	PG#	Modify List	Date	Phase
1	Cost issue.	For cost down, change +1.25VSP solution.	0.3	44	Delete PC114 SGA20221D30	12/27/06	DVT
2	Cost issue.	For cost down, change +1.25VSP solution.	0.3	44	Change PU9 from SA00001FD80 to SA00001FB80	12/27/06	DVT
3	For SMT BOM convenient.	For SMT BOM convenient.	0.3	40	Change PD14 from SC1H751H010 to SC1B751V010.	12/27/06	DVT
4	Increase _1.5VSP OCP point	Increase _1.5VSP OCP point for +1.25VSP new solution.'	0.3	43	Change PR128 from SD034154280 to SD034374380.	12/27/06	DVT
5	Decrease +1.05VSP OCP point.	Decrease +1.05VSP OCP point.	0.3	44	Change PR145 from SD034324280 to SD034261280		DVT
6	Cost issue.	For cost down, change +1.25VSP solution.	0.3	44	Add PU12 SA000015410.	12/27/06	DVT
7	Cost issue.	For cost down, change +1.25VSP solution.	0.3	44	Add PR188 SD034100280.	12/27/06	DVT
8	Cost issue.	For cost down, change +1.25VSP solution.	0.3	44	Add PR189 SD034100380.	12/27/06	DVT
9	Cost issue.	For cost down, change +1.25VSP solution.	0.3	44	Add PR191 SD034100180.	12/27/06	DVT
10	Cost issue.	For cost down, change +1.25VSP solution.	0.3	44	Add PR190 SD034576080.	12/27/06	DVT
11	Cost issue.	For cost down, change +1.25VSP solution.	0.3	44	Add PC155 SE107105M80.	12/27/06	DVT
12	Cost issue.	For cost down, change +1.25VSP solution.	0.3	44	Add PC156, PC160 SE116226M80	12/27/06	DVT
13	Cost issue.	For cost down, change +1.25VSP solution.	0.3	44	Add PC157 SE075103K80.	12/27/06	DVT
14	Cost issue.	For cost down, change +1.25VSP solution.	0.3	44	Add PC159 SE076104K80.	12/27/06	DVT
15	Increase +1.5VSP output capacitor.	Increase +1.5VSP output capacitor.	0.3	43	Change PC98 from SGA20221D30 to SGA19331D00	12/27/06	DVT
16	Cost issue.	Cost issue.	0.3	44	Change PC118 from SGA20471D00 to SGA19331D00.	12/30/06	DVT
17	BOM issue.	BOM issue.	0.3	45	Change PH3, PH4 from SL210021F20 to SL200000200	12/30/06	DVT
18	Assembly issue.	Due to assembly hard, delete PC42.	0.3	45	Delete PC42 SM22004M210.	12/30/06	DVT
19	Cost issue.	Cost issue.	0.4	42	Change PC73 from SE142475K80 to SE093106M80	01/04/06	DVT
20	Cost issue.	Cost issue.	0.4	42	Change PC73 from SE153106K80 to SE093106M80	01/04/06	DVT
21	Add pull high resister for VAGTE.	Add pull high resister for VAGTE.	0.4	45	Add PR89 SD034200180(S RES 1/16W 2K 0402 1%)	01/04/06	DVT
22	Delete PQ46	PQ46 has potential risk to cause system battery OVP.	0.4	40	Delete PQ46 SB324110010(S TR 2SC411K)	01/04/06	DVT
23	Material shipping issue.	Material shipping issue.	0.4	45	Change PC69, PC70, PC71, PC72 from SE068102J80 to SE074102K80	01/04/06	DVT

Compal Electronics, Inc.			
Title PIR (PWR)			
Size	Document Number	ICL50 LA-3551P	Rev 1.0
Date:	Thursday, April 19, 2007	Sheet	48 of 48

Item	Fixed Issue	Reason for change	Rev.	PG#	Modify List	Date	Phase
1	Cost down	Cost down	0.5	40	Change PQ38 from SB548100020 to SB548000310.	03/09/07	FVT
2	Cost down	Cost down	0.5	40	Change PQ40 from SB548100020 to SB548000310.	03/09/07	FVT
3	For EMI board band issue.	For EMI board band issue.	0.6	40	Add PR199 SD001470B80 (S RES 1/4W 4.7 1206 +-5%)	04/01/07	Pre-MP
4	For EMI board band issue.	For EMI board band issue.	0.6	40	Add PC163 SE074681K80 (S CER CAP 680P 50V K X7R)	04/01/07	Pre-MP
5							
6							
7							
8							
9							
10							
11							
12							
13							
14							
15							
16							
17							
18							
19							
20							
21							
22							
23							

Compal Electronics, Inc.			
Title			
PIR (PWR)			
Size	Document Number	ICL50	LA-3551P
			Rev 1.0
Date:	Thursday, April 19, 2007	Sheet	49 of 48