

Compal Confidential

HBL50 Schematics Document

Intel Yonah Processor with 945GM/945PM + DDRII + ICH7M
(With nVIDIA G73M/G72MV/NB7P-SE)

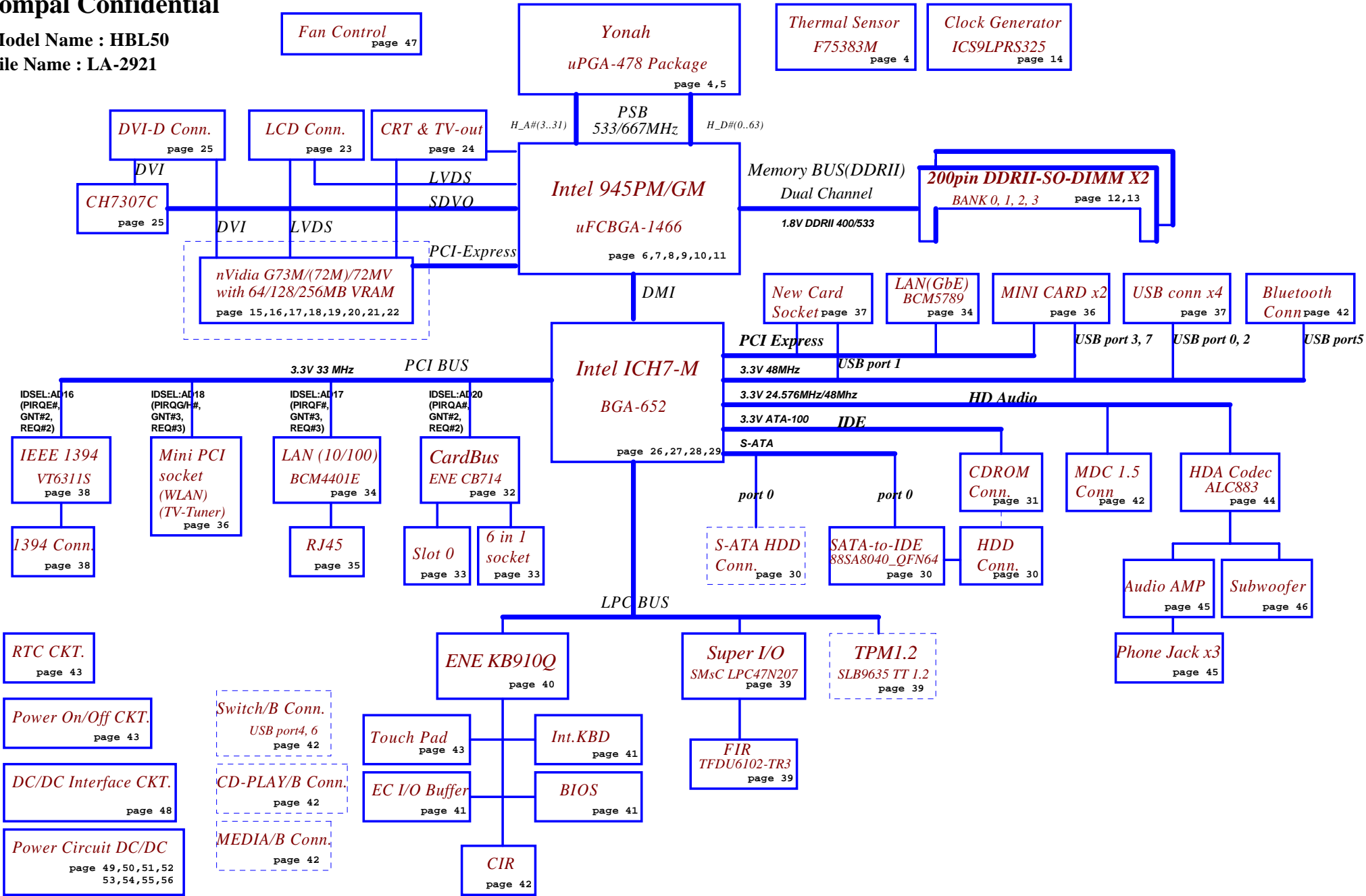
2006-10-04

REV: 4.0

Security Classification	Compal Secret Data			Compal Electronics, Inc.		
Issued Date	2006/10/4	Deciphered Date	2007/10/4	Title	SCHEMATIC, M/B LA-2921P	
THIS SHEET OF ENGINEERING DRAWING IS THE PROPRIETARY PROPERTY OF COMPAL ELECTRONICS, INC. AND CONTAINS CONFIDENTIAL AND TRADE SECRET INFORMATION. THIS SHEET MAY NOT BE TRANSFERRED FROM THE CUSTODY OF THE COMPETENT DIVISION OF R&D DEPARTMENT EXCEPT AS AUTHORIZED BY COMPAL ELECTRONICS, INC. NEITHER THIS SHEET NOR THE INFORMATION IT CONTAINS MAY BE USED BY OR DISCLOSED TO ANY THIRD PARTY WITHOUT PRIOR WRITTEN CONSENT OF COMPAL ELECTRONICS, INC.				Size B	Document Number 401398	Rev H
				Date: 星期四, 十月 05, 2006	Sheet 1 of 59	

Compal Confidential

Model Name : HBL50
File Name : LA-2921



Security Classification	Compal Secret Data		
Issued Date	2006/10/4	Deciphered Date	2007/10/4
THIS SHEET OF ENGINEERING DRAWING IS THE PROPRIETARY PROPERTY OF COMPAL ELECTRONICS, INC. AND CONTAINS CONFIDENTIAL AND TRADE SECRET INFORMATION. THIS SHEET MAY NOT BE TRANSFERRED FROM THE CUSTODY OF THE COMPETENT DIVISION OF R&D DEPARTMENT EXCEPT AS AUTHORIZED BY COMPAL ELECTRONICS, INC. NEITHER THIS SHEET NOR THE INFORMATION IT CONTAINS MAY BE USED BY OR DISCLOSED TO ANY THIRD PARTY WITHOUT PRIOR WRITTEN CONSENT OF COMPAL ELECTRONICS, INC.			

Compal Electronics, Inc.			
Title			
SCHEMATIC, M/B LA-2921P			
Size	Document Number	Rev	H
B	401398		
Date:	星期四, 十月 05, 2006	Sheet	2 of 59

Voltage Rails

Power Plane	Description	S1	S3	S5
VIN	Adapter power supply (19V)	NA	NA	NA
B+	AC or battery power rail for power circuit.	NA	NA	NA
+CPU_CORE	Core voltage for CPU	ON	OFF	OFF
+0.9VS	0.9V switched power rail for DDR terminator	ON	OFF	OFF
+1.05VS	1.05V switched power rail	ON	OFF	OFF
+1.5VS	1.5V switched power rail	ON	OFF	OFF
+1.8V	1.8V power rail for DDR	ON	ON	OFF
+1.8VS	1.8V switched power rail	ON	OFF	OFF
+2.5VS	2.5V switched power rail	ON	OFF	OFF
+3VALW	3.3V always on power rail	ON	ON	ON*
+3VS	3.3V switched power rail	ON	OFF	OFF
+5VALW	5V always on power rail	ON	ON	ON*
+5VS	5V switched power rail	ON	OFF	OFF
+VSB	VSB always on power rail	ON	ON	ON*
+RTCVCC	RTC power	ON	ON	ON

Note : ON* means that this power plane is ON only with AC power available, otherwise it is OFF.

External PCI Devices

Device	IDSEL#	REQ#/GNT#	Interrupts
CardBus(SD)	AD20	2	PIRQA/PIRQB
1394	AD16	0	PIRQE
LAN(10/100)	AD17	3	PIRQF
Mini-PCI(WLAN/TV-Tuner)	AD18	1	PIRQG/PORQH

EC SM Bus1 address

Device	Address	Device	Address
Smart Battery	0001 011X b	Fintek F75383M	1001 100X b
EEPROM(24C16/02)	1010 000X b		
GMT G781-1	1001 101X b		

EC SM Bus2 address

ICH7M SM Bus address

Device	Address
Clock Generator (ICS9LPRS325AKLFT_MLF72)	1101 001Xb
DDR DIMM0	1001 000Xb
DDR DIMM2	1001 010Xb

STATE	SIGNAL	SLP_S1#	SLP_S3#	SLP_S4#	SLP_S5#	+VALW	+V	+VS	Clock
Full ON		HIGH	HIGH	HIGH	HIGH	ON	ON	ON	ON
S1(Power On Suspend)		LOW	HIGH	HIGH	HIGH	ON	ON	ON	LOW
S3 (Suspend to RAM)		LOW	LOW	HIGH	HIGH	ON	ON	OFF	OFF
S4 (Suspend to Disk)		LOW	LOW	LOW	HIGH	ON	OFF	OFF	OFF
S5 (Soft OFF)		LOW	LOW	LOW	LOW	ON	OFF	OFF	OFF

Board ID / SKU ID Table for AD channel

Vcc	3.3V +/- 5%			
Ra/Rc/Re	100K +/- 5%			
Board ID	Rb / Rd / Rf	VAD_BID min	VAD_BID typ	VAD_BID max
0	0	0 V	0 V	0 V
1	8.2K +/- 5%	0.216 V	0.250 V	0.289 V
2	18K +/- 5%	0.436 V	0.503 V	0.538 V
3	33K +/- 5%	0.712 V	0.819 V	0.875 V
4	56K +/- 5%	1.036 V	1.185 V	1.264 V
5	100K +/- 5%	1.453 V	1.650 V	1.759 V
6	200K +/- 5%	1.935 V	2.200 V	2.341 V
7	NC	2.500 V	3.300 V	3.300 V

BOARD ID Table

Board ID	PCB Revision
0	0.1
1	
2	
3	
4	
5	
6	
7	

SKU ID Table

SKU ID	SKU
0	PM
1	GM
2	
3	
4	
5	
6	
7	

G72MV	G72MV@
	G72MV64@
	G72MV128@
G72MZ	G72MZ@
G73	G73M128@

BTO Option Table

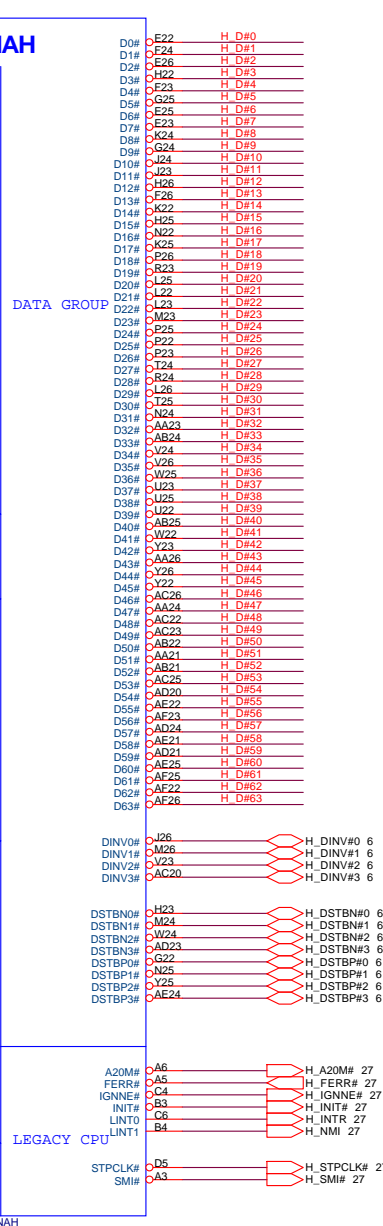
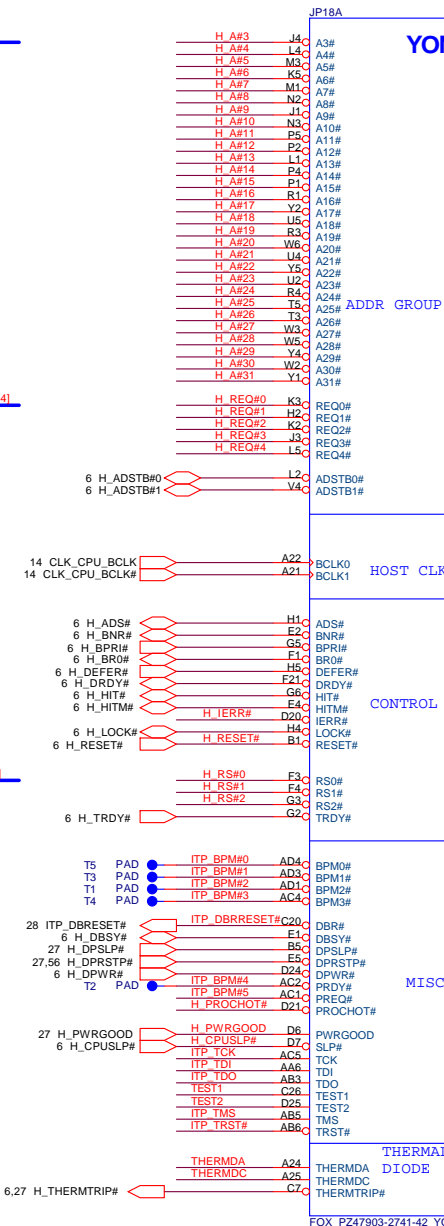
BTO Item	BOM Structure
VGA	PM@ + VGA@
UMA	GM@
UMA's DVI	7307@
LAN(10/100)	4401@
LAN(GIGA)	5789@
MINI CARD1	MINI1@
MINI CARD2	MINI2@
SATA-to-IDE	8040@
PATA	PATA@
GRAPEVINE	GRA@
G72MV Only	G72@
G73 Only	G73@
VRAM	X76@
VRAM 64M	64@
VRAM 128M	64@+128@
VRAM 256M	64@+128@+256@
MEDIA/B	MEDIA@
CIR	CIR@
FIR	FIR@
GENEVA	GEN@
Sub-woofer	SUB@
5789&5787	8789@
4401&5789	0189@
VP1020	VP1020@
INTERNAL MIC	INTMIC@
1394	1394@
SATA HDD	SATA@
DVI	DVI@
CardReader	4IN1@
New Card	EXP@
CB1410	1410@

Security Classification	Compal Secret Data			Compal Electronics, Inc.		
Issued Date	2006/10/4	Deciphered Date	2007/10/4	Title		
				SCHEMATIC, M/B LA-2921P		
THIS SHEET OF ENGINEERING DRAWING IS THE PROPRIETARY PROPERTY OF COMPAL ELECTRONICS, INC. AND CONTAINS CONFIDENTIAL AND TRADE SECRET INFORMATION. THIS SHEET MAY NOT BE TRANSFERRED FROM THE CUSTODY OF THE COMPETENT DIVISION OF R&D DEPARTMENT EXCEPT AS AUTHORIZED BY COMPAL ELECTRONICS, INC. NEITHER THIS SHEET NOR THE INFORMATION IT CONTAINS MAY BE USED BY OR DISCLOSED TO ANY THIRD PARTY WITHOUT PRIOR WRITTEN CONSENT OF COMPAL ELECTRONICS, INC.				Size B	Document Number	Rev H
				401398		
				Date:	星期四, 十月 05, 2006	Sheet 3 of 59

6 H_A# [3..31] H_A# [3..31]

6 H_REQ# [0..4] H_REQ# [0..4]

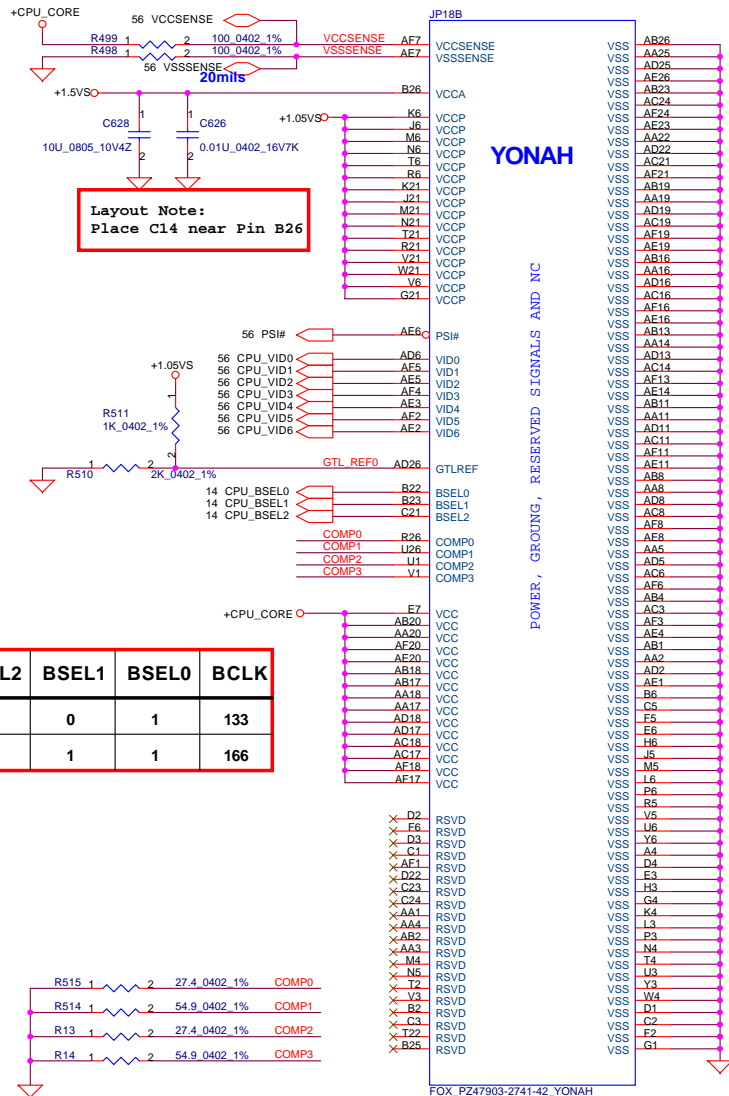
6 H_RS# [0..2] H_RS# [0..2]



Layout Note:
THERMDA & THERMDC Trace / Space = 10 / 10 mil

Security Classification	Compal Secret Data		Title	
Issued Date	2006/10/4	Deciphered Date	2007/10/4	
THIS SHEET OF ENGINEERING DRAWING IS THE PROPRIETARY PROPERTY OF COMPAL ELECTRONICS, INC. AND CONTAINS CONFIDENTIAL AND TRADE SECRET INFORMATION. THIS SHEET MAY NOT BE TRANSFERRED FROM THE CUSTODY OF THE COMPETENT DIVISION OF R&D DEPARTMENT EXCEPT AS AUTHORIZED BY COMPAL ELECTRONICS, INC. NEITHER THIS SHEET NOR THE INFORMATION IT CONTAINS MAY BE USED BY OR DISCLOSED TO ANY THIRD PARTY WITHOUT PRIOR WRITTEN CONSENT OF COMPAL ELECTRONICS, INC.			Compal Electronics, Inc. SCHEMATIC, M/B LA-2921P	
Date	星期四, 十月 05, 2006	Sheet	4	of 59

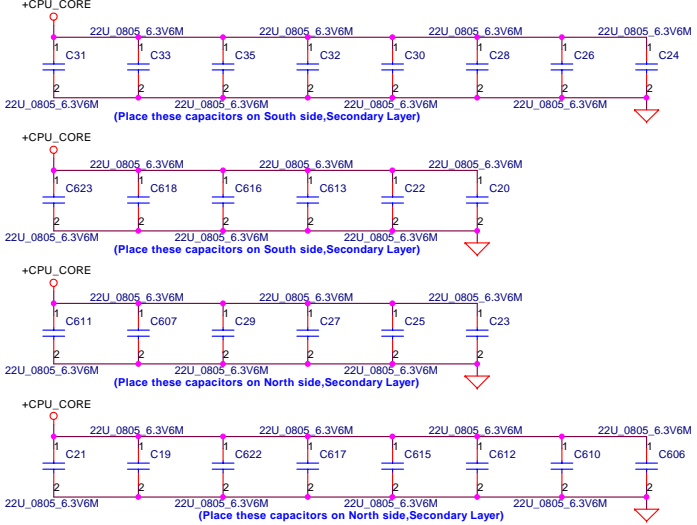
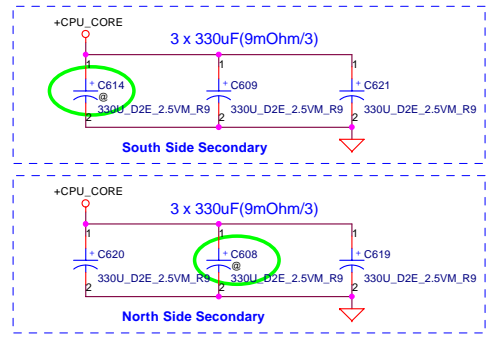
Layout Note:
Route VCCSENSE and VSSSENSE traces at 27.4ohms with 50 mil spacing.
Place PU and PD within 1 inch of CPU.



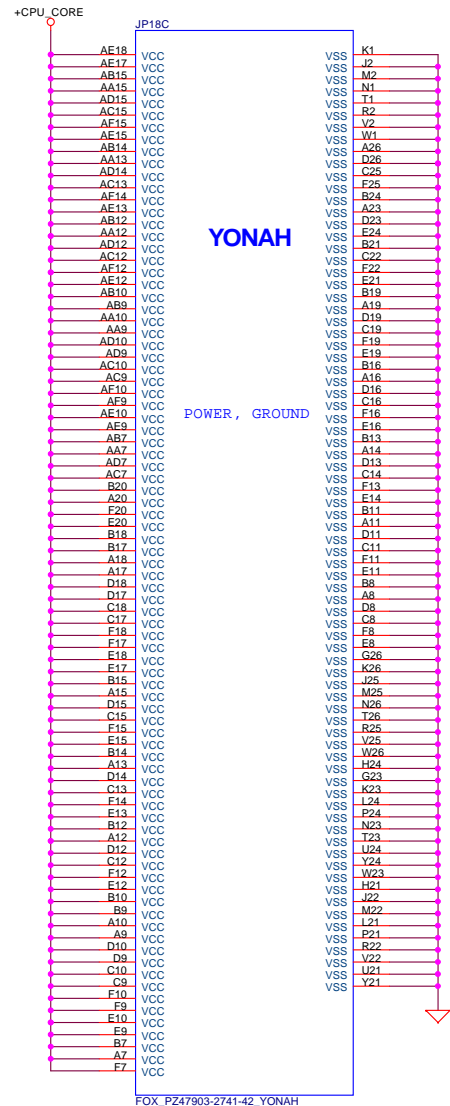
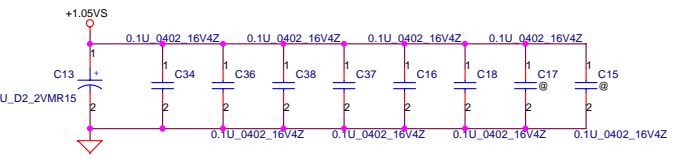
Layout Note:
Place C14 near Pin B26

BSEL2	BSEL1	BSEL0	BCLK
0	0	1	133
0	1	1	166

TRACE CLOSELY CPU < 0.5'
COMP0, COMP2 layout : Width 18mils and Space 25mils (27.4ohms)
COMP1, COMP3 layout : Space 25mils (55ohms)



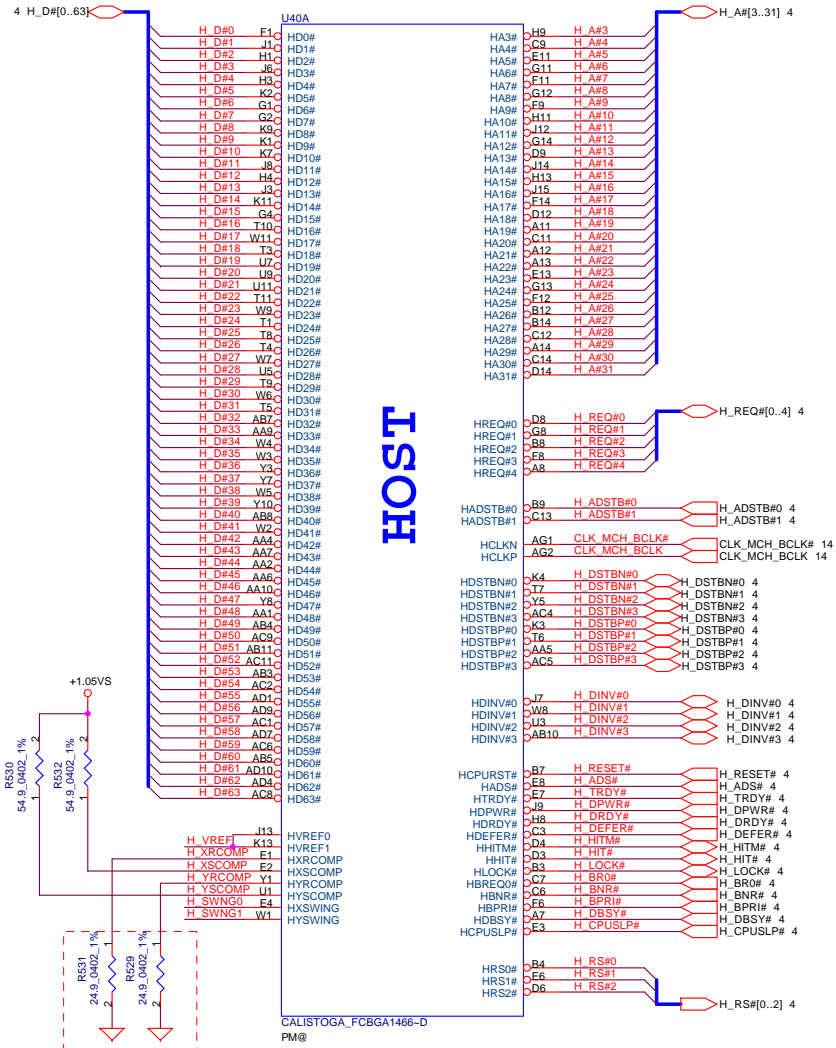
+CPU-CORE Decoupling	C, uF	ESR, mohm	ESL, nH
SPCAP, Polymer	6X330uF	9m ohm/6	1.8nH/6
MLCC 0805 X5R	32X22uF	3m ohm/32	0.6nH/32



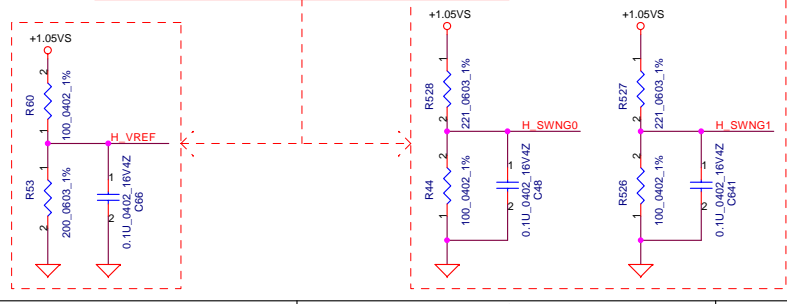
Security Classification	Compal Secret Data	
Issued Date	2006/10/4	Deciphered Date
		2007/10/4

THIS SHEET OF ENGINEERING DRAWING IS THE PROPRIETARY PROPERTY OF COMPAL ELECTRONICS, INC. AND CONTAINS CONFIDENTIAL AND TRADE SECRET INFORMATION. THIS SHEET MAY NOT BE TRANSFERRED FROM THE CUSTODY OF THE COMPETENT DIVISION OF R&D DEPARTMENT EXCEPT AS AUTHORIZED BY COMPAL ELECTRONICS, INC. NEITHER THIS SHEET NOR THE INFORMATION IT CONTAINS MAY BE USED BY OR DISCLOSED TO ANY THIRD PARTY WITHOUT PRIOR WRITTEN CONSENT OF COMPAL ELECTRONICS, INC.

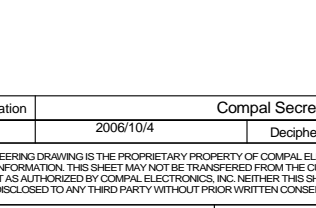
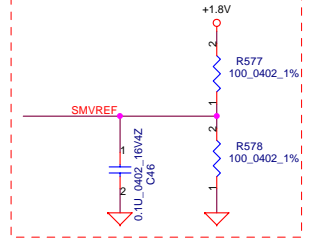
Compal Electronics, Inc.			
Title			
SCHEMATIC, M/B LA-2921P			
Size B	Document Number	Rev H	
	401398		
Date:	星期四, 十月 05, 2006	Sheet	5 of 59



Layout Note:
 H_XRCOMP / H_YRCOMP / H_VREF / H_SWNG0 /
 H_SWNG1 trace width and spacing is 10/20.



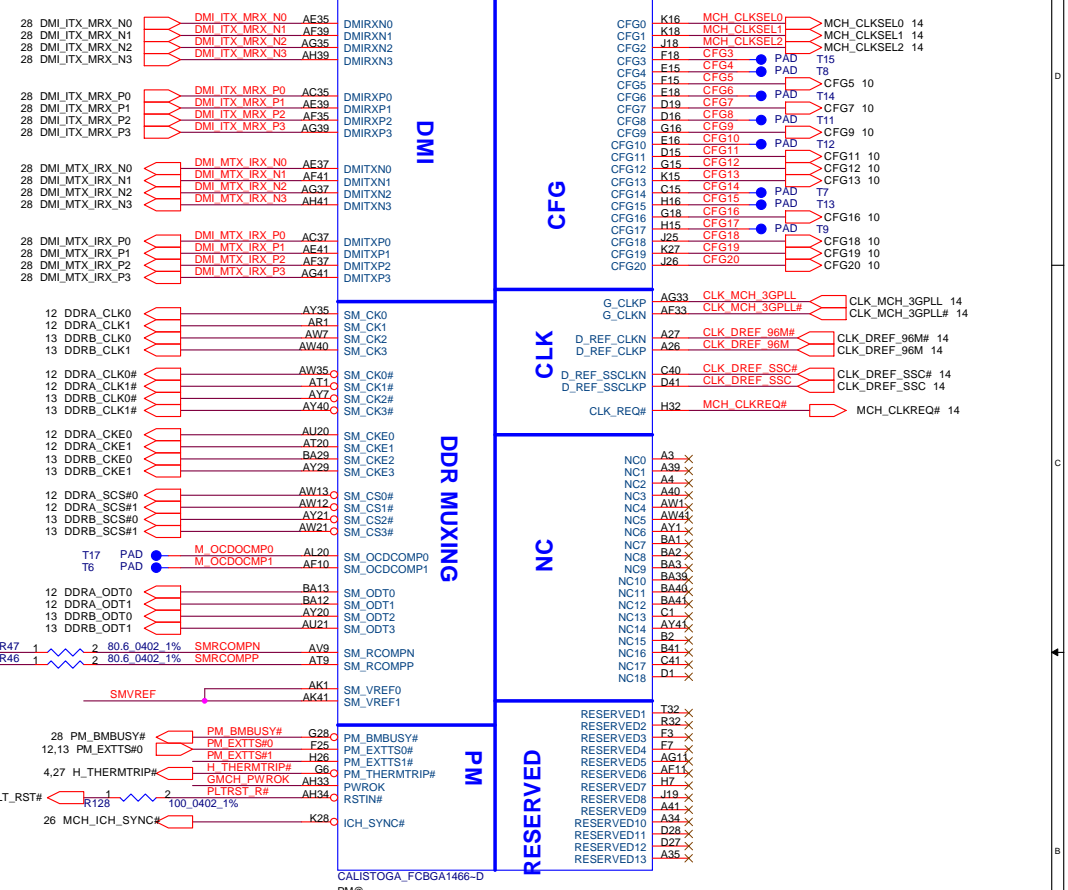
Layout Note:
 SMVREF trace
 width and spacing
 is 20/20.



Security Classification	Compal Secret Data	
Issued Date	2006/10/4	Deciphered Date
		2007/10/4

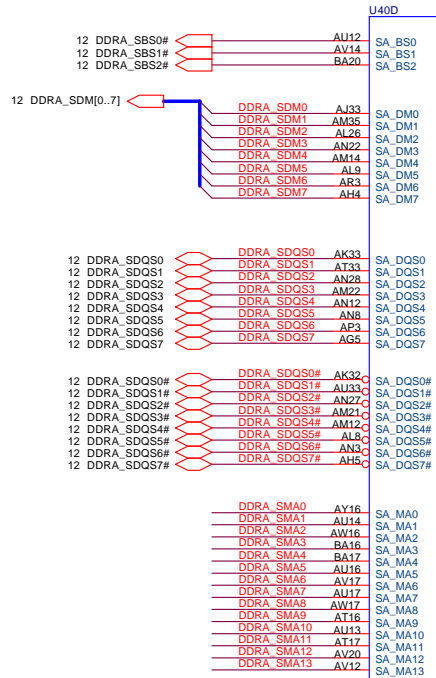
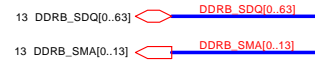
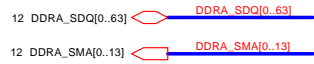
THIS SHEET OF ENGINEERING DRAWING IS THE PROPRIETARY PROPERTY OF COMPAL ELECTRONICS, INC. AND CONTAINS CONFIDENTIAL AND TRADE SECRET INFORMATION. THIS SHEET MAY NOT BE TRANSFERRED FROM THE CUSTODY OF THE COMPETENT DIVISION OF R&D DEPARTMENT EXCEPT AS AUTHORIZED BY COMPAL ELECTRONICS, INC. NEITHER THIS SHEET NOR THE INFORMATION IT CONTAINS MAY BE USED BY OR DISCLOSED TO ANY THIRD PARTY WITHOUT PRIOR WRITTEN CONSENT OF COMPAL ELECTRONICS, INC.

Description at page10

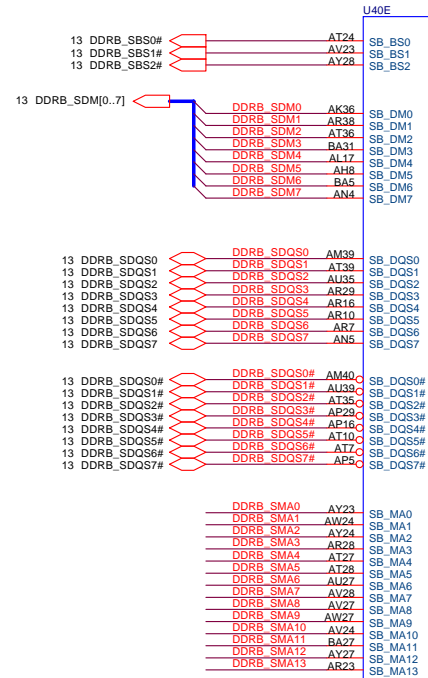
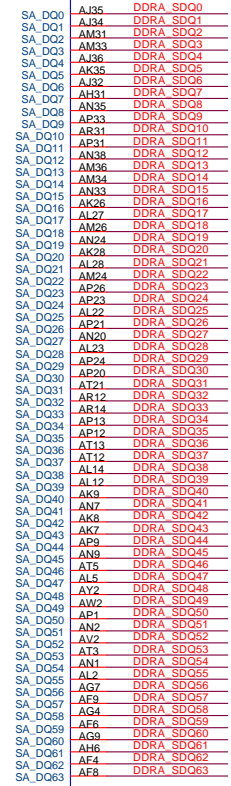


2005/09/20

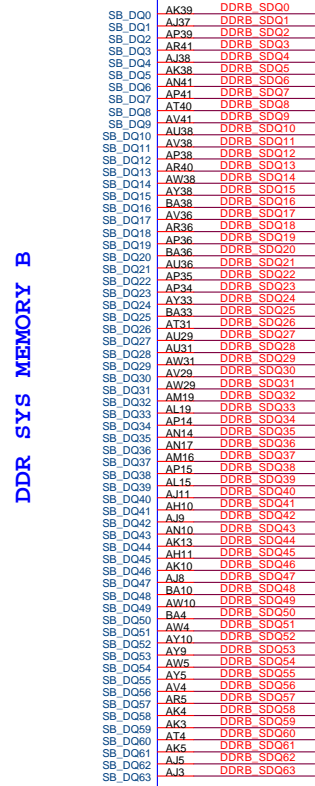
Compal Electronics, Inc.		
Title		
SCHEMATIC, M/B LA-2921P		
Size	Document Number	Rev
B	401398	H
Date:	星期四, 十月 05, 2006	Sheet 6 of 59



DDR SYS MEMORY A



DDR SYS MEMORY B



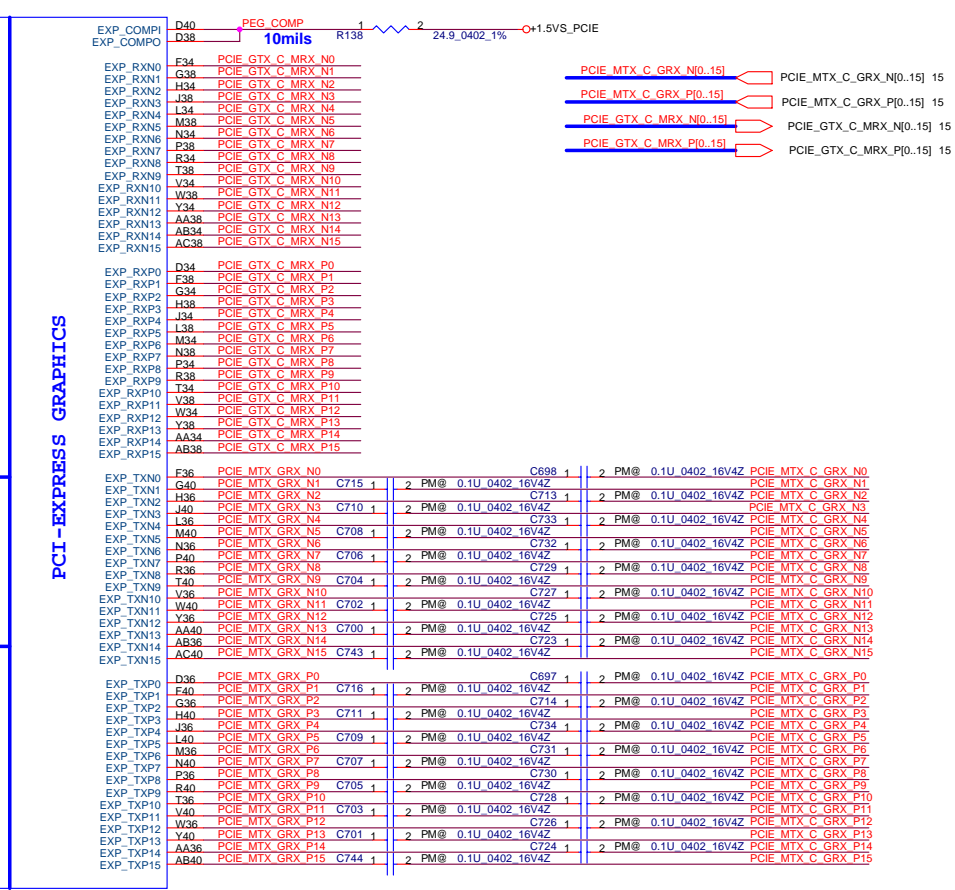
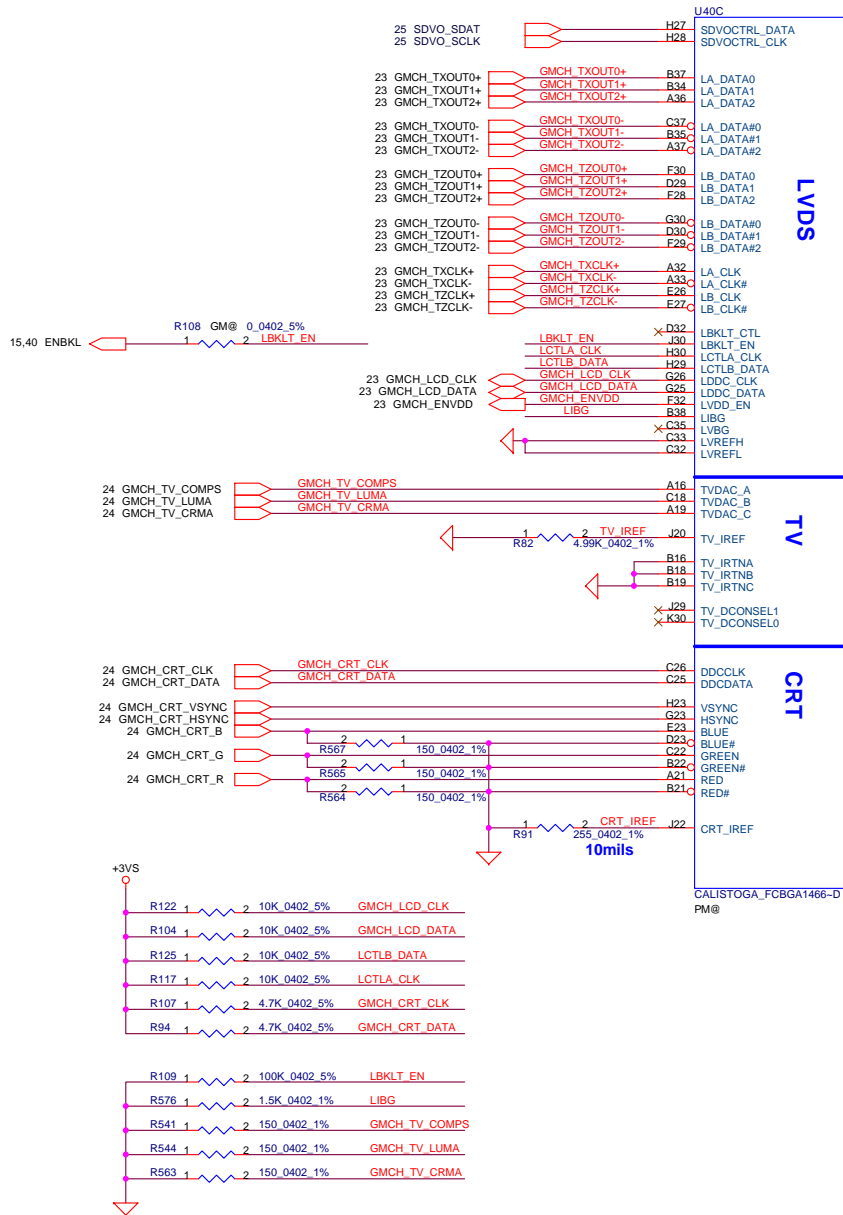
check layout

check layout

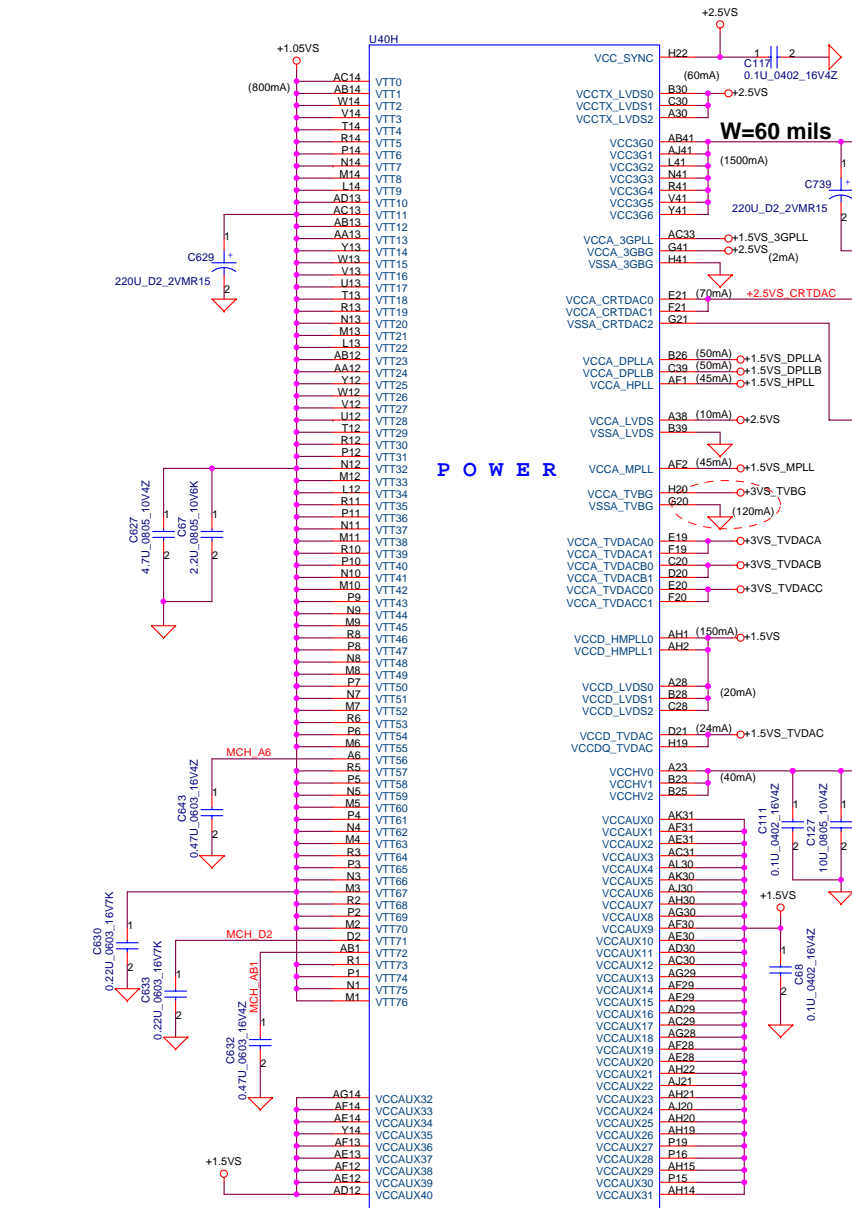
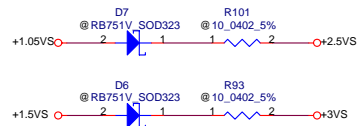
CALISTOGA_FCBGA1466-D
PM@

CALISTOGA_FCBGA1466-D
PM@

Security Classification	Compal Secret Data		Title	
Issued Date	2006/10/4	Deciphered Date	2007/10/4	Schematic, M/B LA-2921P
<small>THIS SHEET OF ENGINEERING DRAWING IS THE PROPRIETARY PROPERTY OF COMPAL ELECTRONICS, INC. AND CONTAINS CONFIDENTIAL AND TRADE SECRET INFORMATION. THIS SHEET MAY NOT BE TRANSFERRED FROM THE CUSTODY OF THE COMPETENT DIVISION OF R&D DEPARTMENT EXCEPT AS AUTHORIZED BY COMPAL ELECTRONICS, INC. NEITHER THIS SHEET NOR THE INFORMATION IT CONTAINS MAY BE USED BY OR DISCLOSED TO ANY THIRD PARTY WITHOUT PRIOR WRITTEN CONSENT OF COMPAL ELECTRONICS, INC.</small>				Document Number 401398
Date:	星期四, 十月 05, 2006	Sheet	7 of 59	Rev H



Security Classification	Compal Secret Data		Title	Compal Electronics, Inc.	
Issued Date	2006/10/4	Deciphered Date	2007/10/4	Size	Document Number
				B	401398
THIS SHEET OF ENGINEERING DRAWING IS THE PROPRIETARY PROPERTY OF COMPAL ELECTRONICS, INC. AND CONTAINS CONFIDENTIAL AND TRADE SECRET INFORMATION. THIS SHEET MAY NOT BE TRANSFERRED FROM THE CUSTODY OF THE COMPETENT DIVISION OF R&D DEPARTMENT EXCEPT AS AUTHORIZED BY COMPAL ELECTRONICS, INC. NEITHER THIS SHEET NOR THE INFORMATION IT CONTAINS MAY BE USED BY OR DISCLOSED TO ANY THIRD PARTY WITHOUT PRIOR WRITTEN CONSENT OF COMPAL ELECTRONICS, INC.			Rev	H	
Date:	星期四, 十月 05, 2006	Sheet	8	of	59



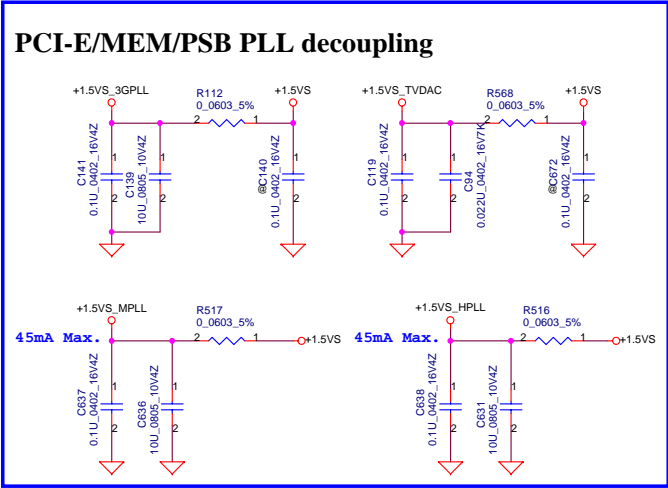
POWER

W=60 mils

CR/DAC: Route caps within 25mil of Alviso. Route FB within 3" of Calistoga

close pin A38

2005/09/19



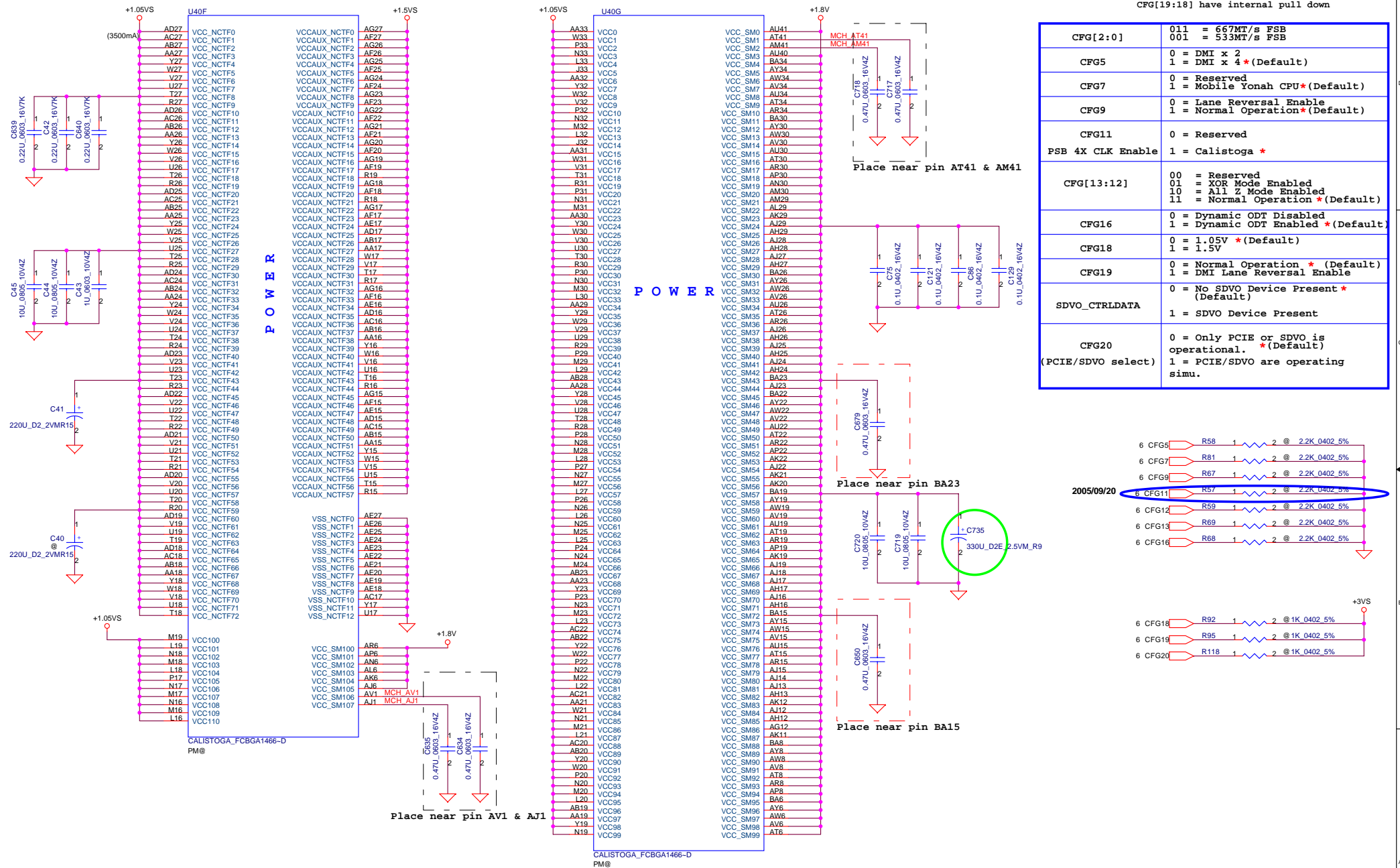
Security Classification	Compal Secret Data	
Issued Date	2006/10/4	Deciphered Date
		2007/10/4
THIS SHEET OF ENGINEERING DRAWING IS THE PROPRIETARY PROPERTY OF COMPAL ELECTRONICS, INC. AND CONTAINS CONFIDENTIAL AND TRADE SECRET INFORMATION. THIS SHEET MAY NOT BE TRANSFERRED FROM THE CUSTODY OF THE COMPETENT DIVISION OF R&D DEPARTMENT EXCEPT AS AUTHORIZED BY COMPAL ELECTRONICS, INC. NEITHER THIS SHEET NOR THE INFORMATION IT CONTAINS MAY BE USED BY OR DISCLOSED TO ANY THIRD PARTY WITHOUT PRIOR WRITTEN CONSENT OF COMPAL ELECTRONICS, INC.		

Compal Electronics, Inc.		
Title		
SCHEMATIC, M/B LA-2921P		
Size	Document Number	Rev
B	401398	H
Date:	星期四, 十月 05, 2006	Sheet 9 of 59

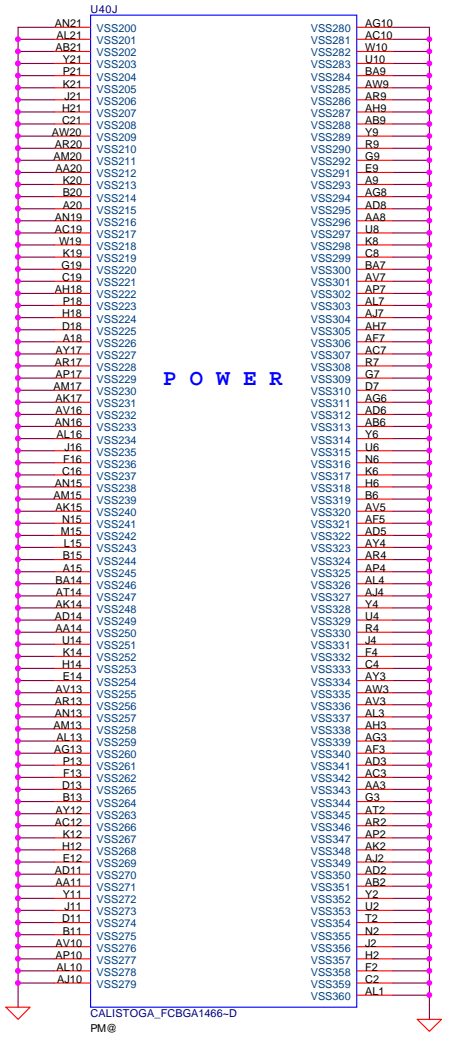
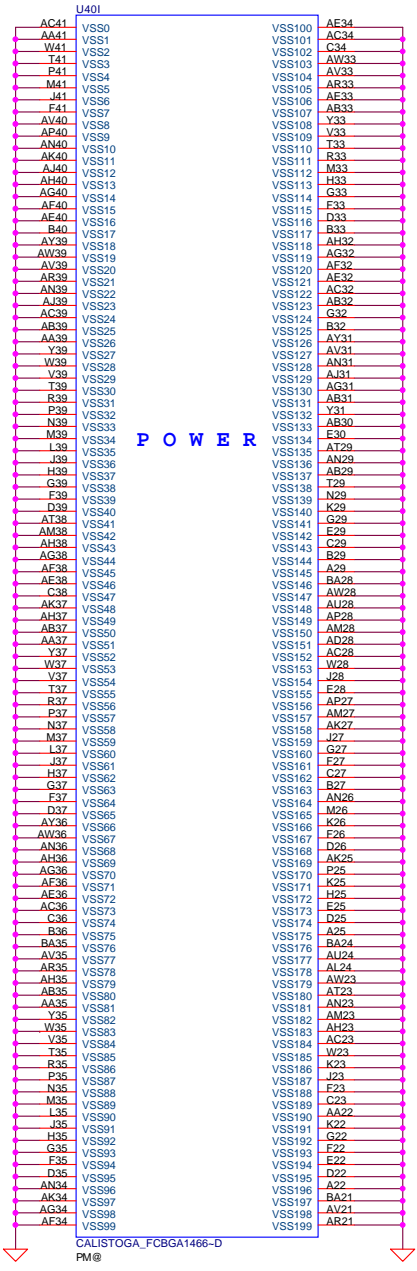
Strap Pin Table

CFG[3:17] have internal pull up
CFG[19:18] have internal pull down

CFG[2:0]	011 = 667MT/s FSB 001 = 533MT/s FSB
CFG5	0 = DMI x 2 1 = DMI x 4 *(Default)
CFG7	0 = Reserved 1 = Mobile Yonah CPU*(Default)
CFG9	0 = Lane Reversal Enable 1 = Normal Operation*(Default)
CFG11	0 = Reserved
PSB 4X CLK Enable	1 = Calistoga *
CFG[13:12]	00 = Reserved 01 = XOR Mode Enabled 10 = All Z Mode Enabled 11 = Normal Operation *(Default)
CFG16	0 = Dynamic ODT Disabled 1 = Dynamic ODT Enabled *(Default)
CFG18	0 = 1.05V *(Default) 1 = 1.5V
CFG19	0 = Normal Operation *(Default) 1 = DMI Lane Reversal Enable
SDVO_CTRLDATA	0 = No SDVO Device Present *(Default) 1 = SDVO Device Present
CFG20 (PCIE/SDVO select)	0 = Only PCIE or SDVO is operational. *(Default) 1 = PCIE/SDVO are operating simu.

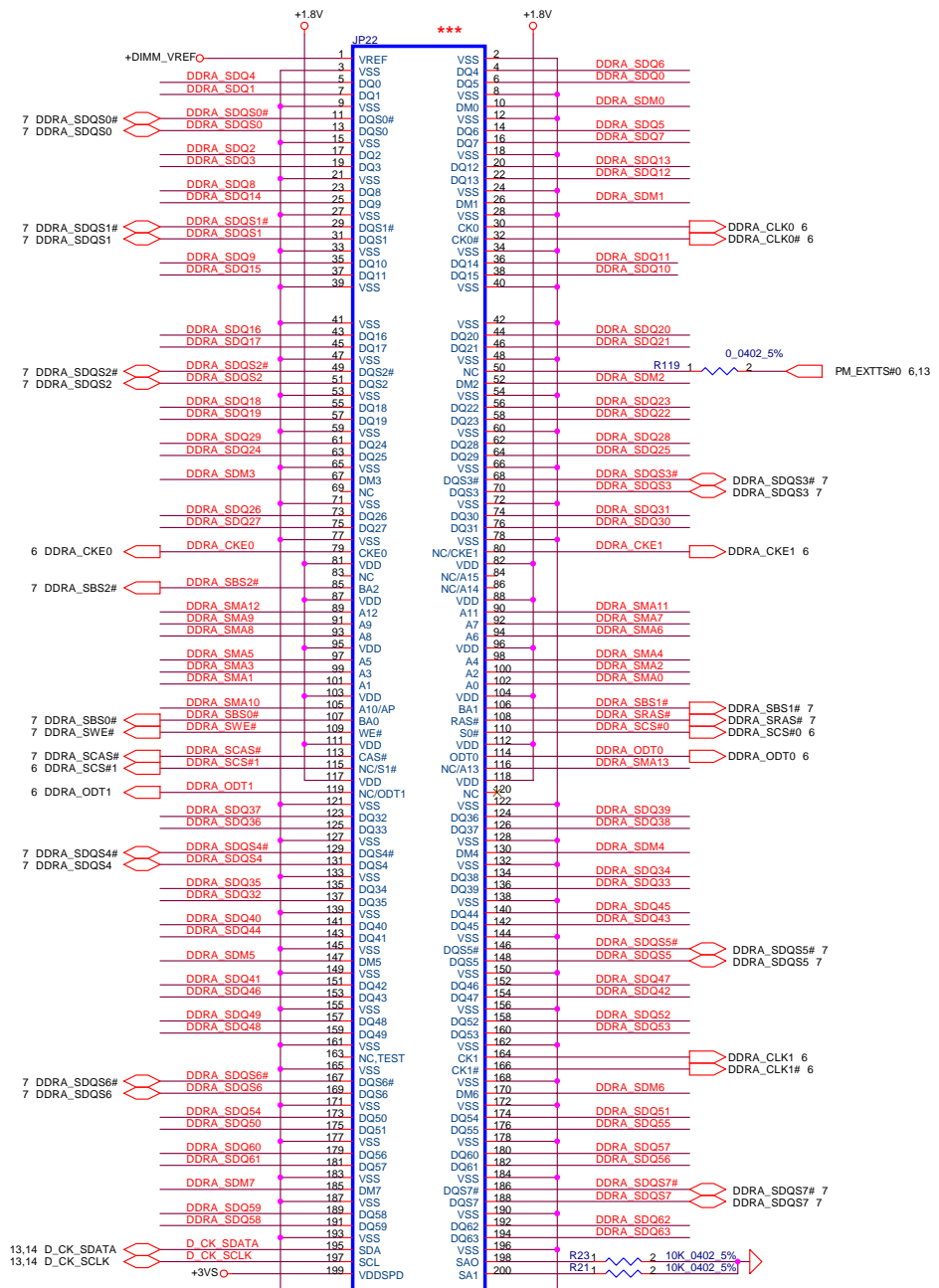


Security Classification	Compal Secret Data		Title	
Issued Date	2006/10/4	Deciphered Date	2007/10/4	Compal Electronics, Inc.
THIS SHEET OF ENGINEERING DRAWING IS THE PROPRIETARY PROPERTY OF COMPAL ELECTRONICS, INC. AND CONTAINS CONFIDENTIAL AND TRADE SECRET INFORMATION. THIS SHEET MAY NOT BE TRANSFERRED FROM THE CUSTODY OF THE COMPETENT DIVISION OF R&D DEPARTMENT EXCEPT AS AUTHORIZED BY COMPAL ELECTRONICS, INC. NEITHER THIS SHEET NOR THE INFORMATION IT CONTAINS MAY BE USED BY OR DISCLOSED TO ANY THIRD PARTY WITHOUT PRIOR WRITTEN CONSENT OF COMPAL ELECTRONICS, INC.				Schematic, M/B LA-2921P
Size	Document Number	Date	Rev	H
B	401398	星期四, 十月 05, 2006	Sheet	10 of 59

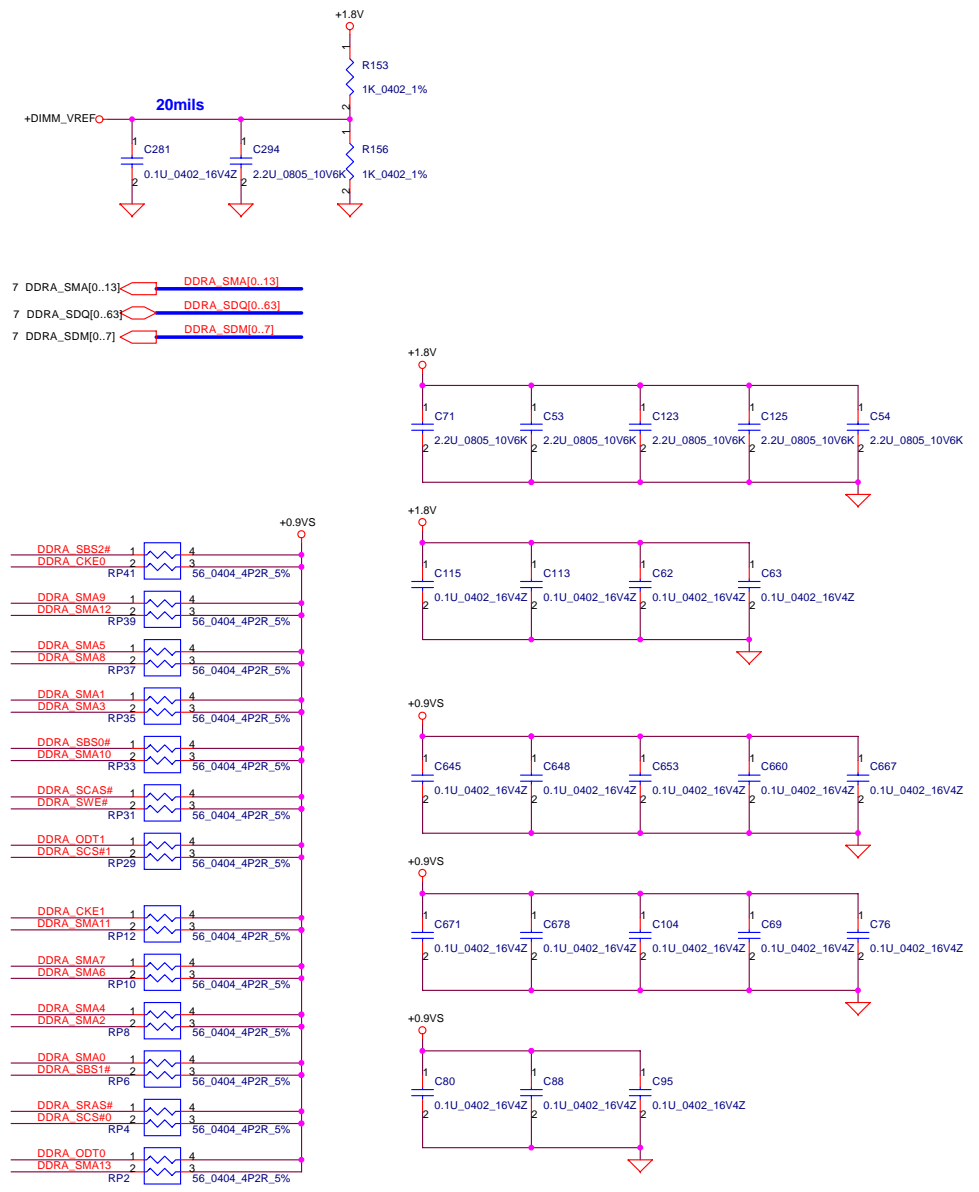


POWER

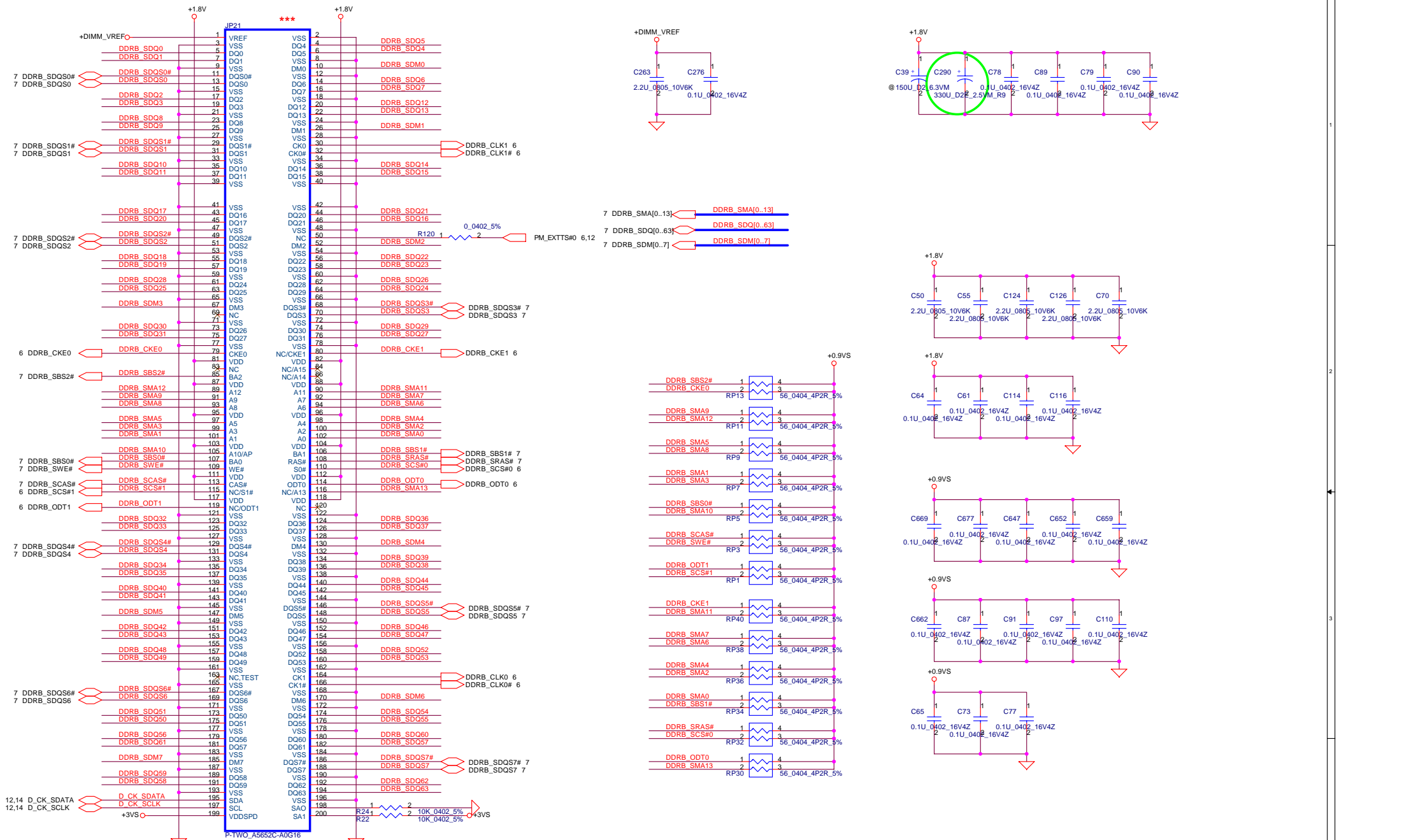
Security Classification	Compal Secret Data		Title	
Issued Date	2006/10/4	Deciphered Date	2007/10/4	Schematic, M/B LA-2921P
THIS SHEET OF ENGINEERING DRAWING IS THE PROPRIETARY PROPERTY OF COMPAL ELECTRONICS, INC. AND CONTAINS CONFIDENTIAL AND TRADE SECRET INFORMATION. THIS SHEET MAY NOT BE TRANSFERRED FROM THE CUSTODY OF THE COMPETENT DIVISION OF R&D DEPARTMENT EXCEPT AS AUTHORIZED BY COMPAL ELECTRONICS, INC. NEITHER THIS SHEET NOR THE INFORMATION IT CONTAINS MAY BE USED BY OR DISCLOSED TO ANY THIRD PARTY WITHOUT PRIOR WRITTEN CONSENT OF COMPAL ELECTRONICS, INC.				Rev H
Date:	星期四, 十月 05, 2006	Sheet	11 of 59	



DIMM0 STD H:9.2mm (BOT)



Security Classification	Compal Secret Data		Compal Electronics, Inc.	
Issued Date	2006/10/4	Deciphered Date	2007/10/4	
THIS SHEET OF ENGINEERING DRAWING IS THE PROPRIETARY PROPERTY OF COMPAL ELECTRONICS, INC. AND CONTAINS CONFIDENTIAL AND TRADE SECRET INFORMATION. THIS SHEET MAY NOT BE TRANSFERRED FROM THE CUSTODY OF THE COMPETENT DIVISION OF R&D DEPARTMENT EXCEPT AS AUTHORIZED BY COMPAL ELECTRONICS, INC. NEITHER THIS SHEET NOR THE INFORMATION IT CONTAINS MAY BE USED BY OR DISCLOSED TO ANY THIRD PARTY WITHOUT PRIOR WRITTEN CONSENT OF COMPAL ELECTRONICS, INC.				
Size B	Document Number	401398		Rev H
Date:	星期四, 十月 05, 2006	Sheet	12	of 59



DIMM1 STD H:5.2mm (BOT)

Security Classification	Compal Secret Data		Title	
Issued Date	2006/10/4	Deciphered Date	2007/10/4	Compal Electronics, Inc.
THIS SHEET OF ENGINEERING DRAWING IS THE PROPRIETARY PROPERTY OF COMPAL ELECTRONICS, INC. AND CONTAINS CONFIDENTIAL AND TRADE SECRET INFORMATION. THIS SHEET MAY NOT BE TRANSFERRED FROM THE CUSTODY OF THE COMPETENT DIVISION OF R&D DEPARTMENT EXCEPT AS AUTHORIZED BY COMPAL ELECTRONICS, INC. NEITHER THIS SHEET NOR THE INFORMATION IT CONTAINS MAY BE USED BY OR DISCLOSED TO ANY THIRD PARTY WITHOUT PRIOR WRITTEN CONSENT OF COMPAL ELECTRONICS, INC.				Schematic, M/B LA-2921P
Size	Document Number	Date	Rev	H
B	401398	星期四, 十月 05, 2006	Sheet	13 of 59

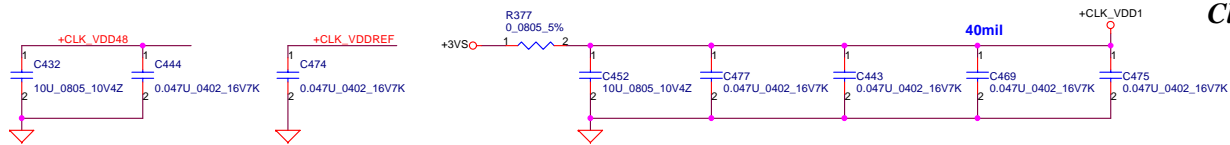
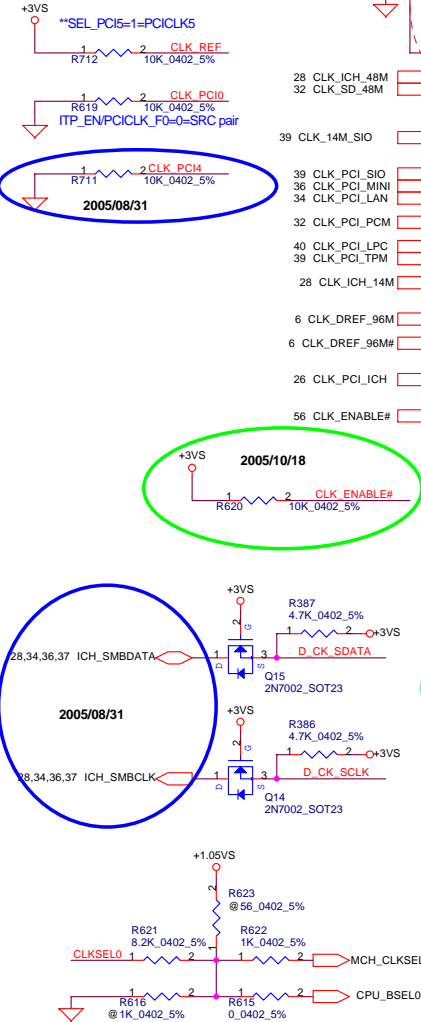
FSLC CLKSEL2	FSLB CLKSEL1	FSLA CLKSEL0	CPU MHz	SRC MHz	PCI MHz
0	0	1	133	100	33.3
0	1	1	166	100	33.3

Table : ICS9LPR325

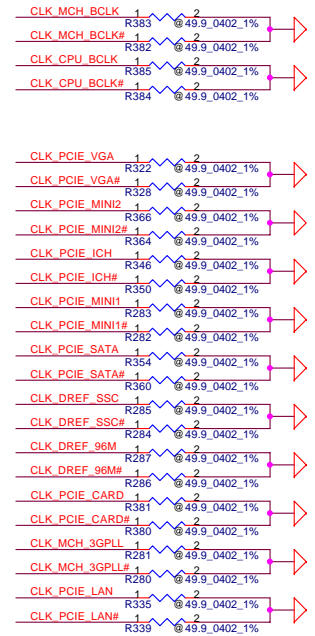
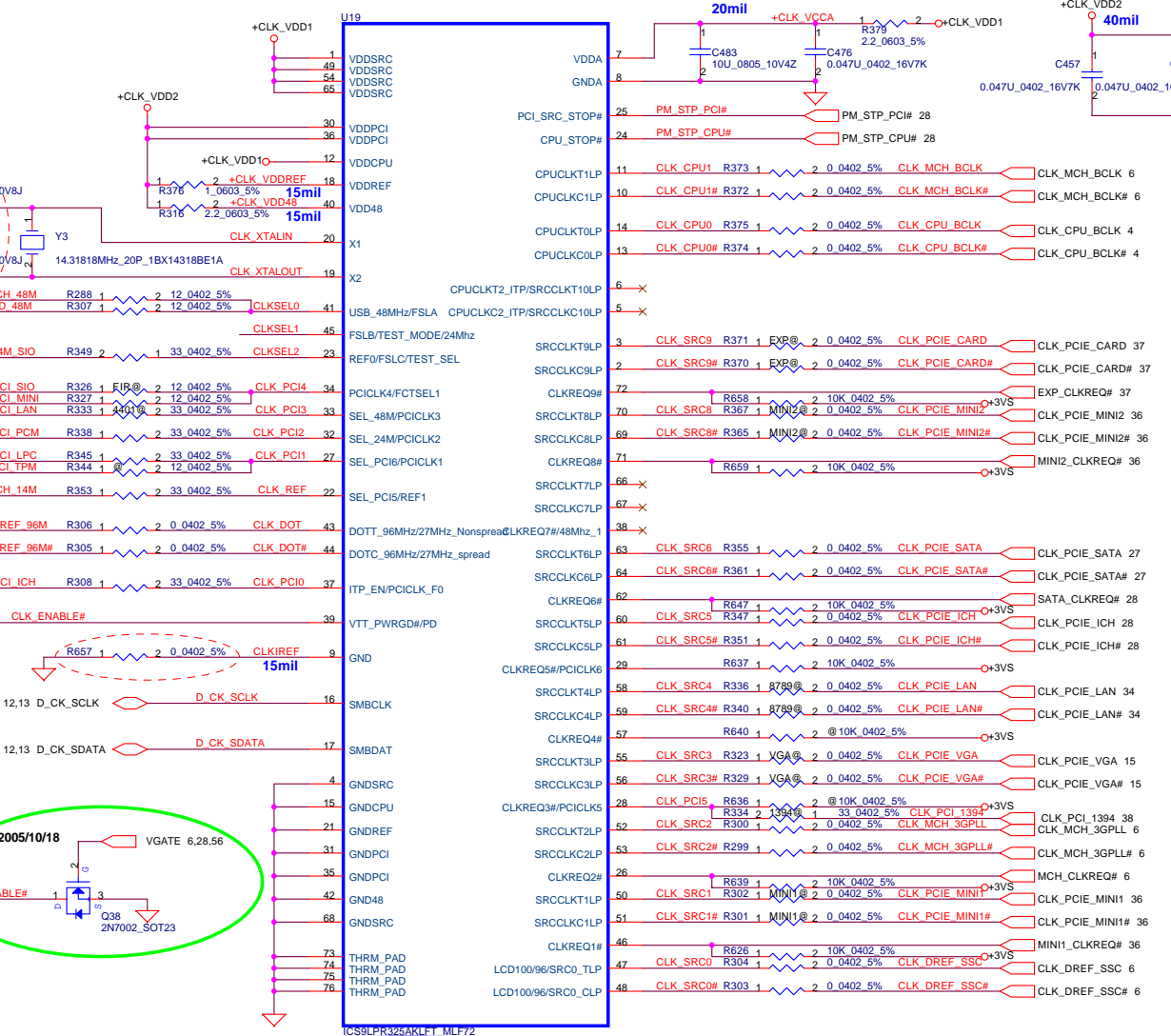
	0	1
**SEL_PCI5/REF1	CLKREQ3#	33.3MHz PCICLK5
**SEL_PCI6/PCICLK1	CLKREQ5#	33.3MHz PCICLK6
**SEL_24M/PCICLK2	TESTMODE	24MHz Output
**SEL_48M/PCICLK3	CLKREQ7#	48MHz 1 Output
ITP_EN/PCICLK_F0	SRC pair	CPU_ITP pair

**SEL_24M/PCICLK2=0=TESTMODE
**SEL_PCI6/PCICLK1=0=CLKREQ5#

**SEL_PCI5=1=PCICLK5
ITP_EN/PCICLK_F0=0=SRC pair



Clock Generator

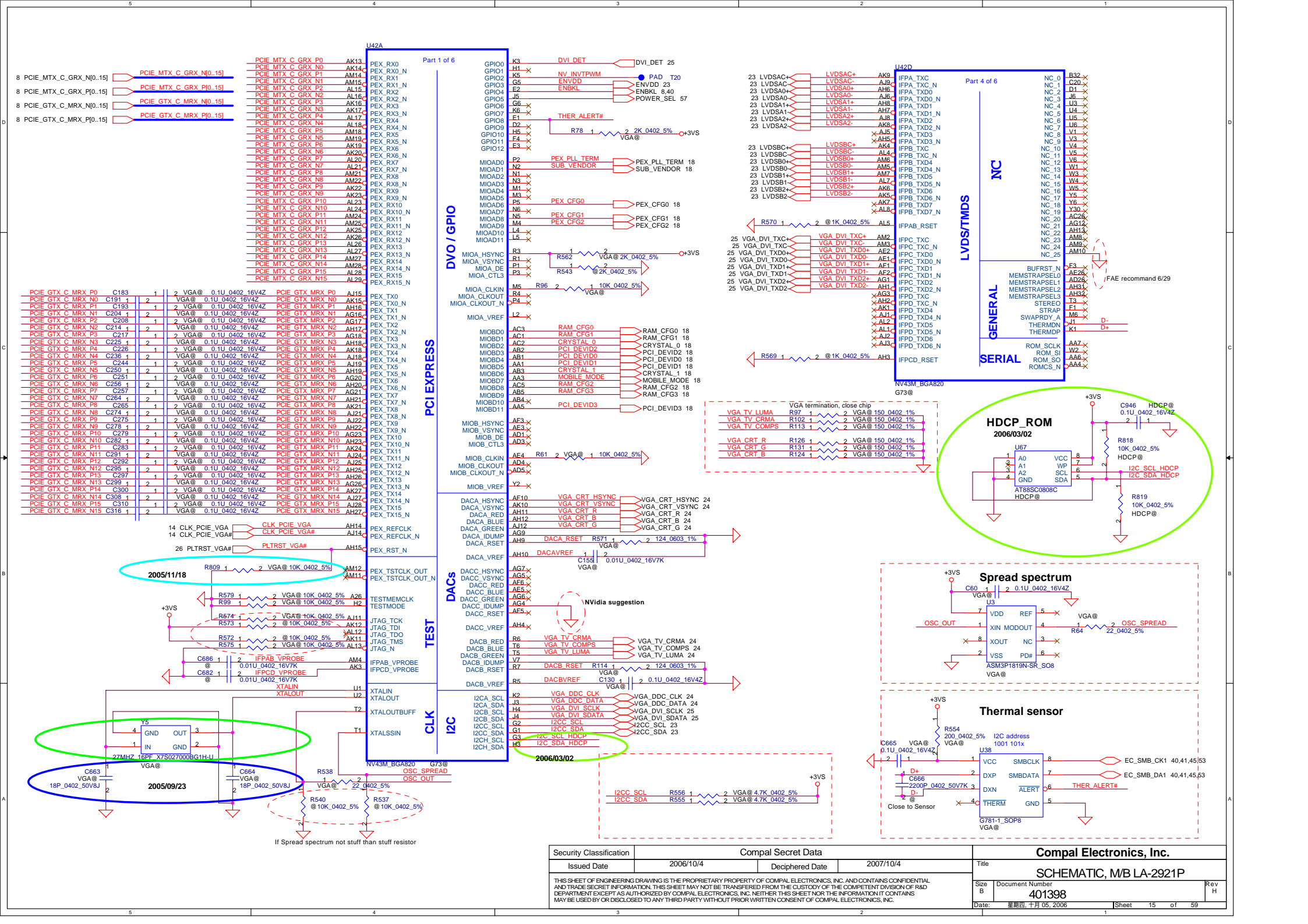


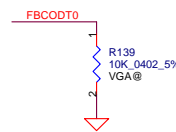
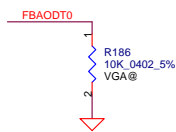
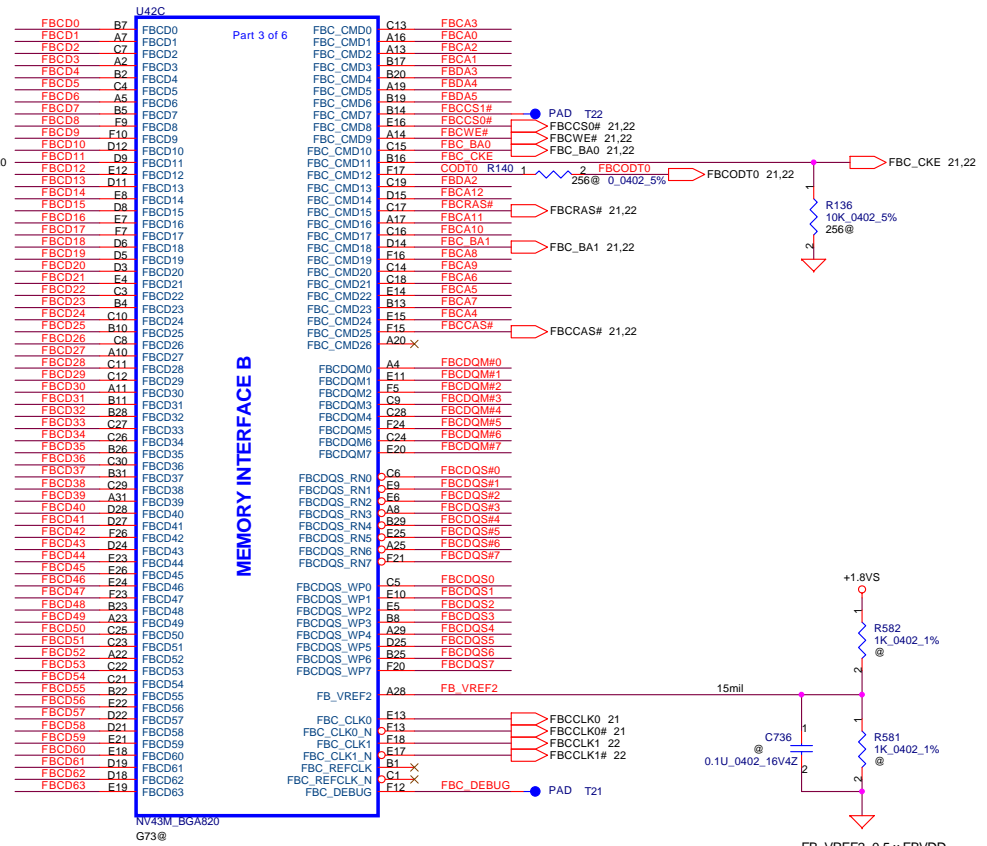
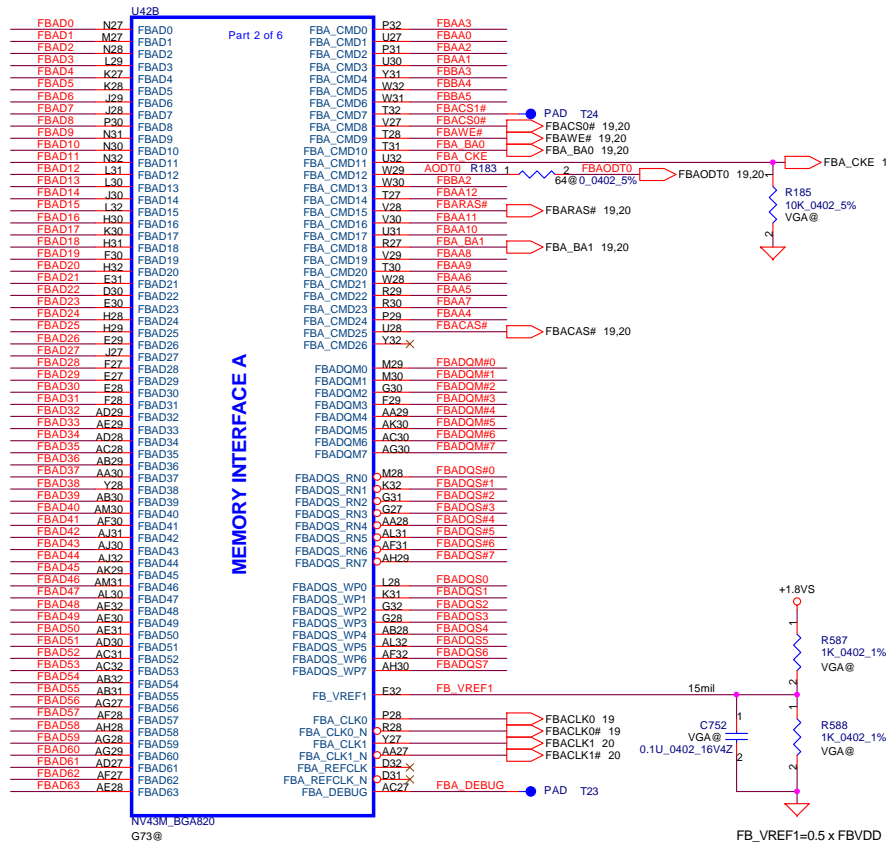
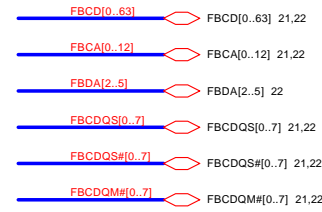
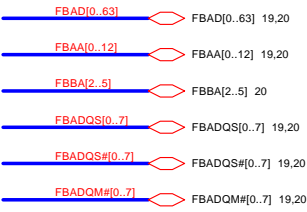
G73M: ICS9LPR325CKLFT_MLF72: SA00000RE20
* G72M: SLG8LPA65VTR: SA00000T500

Security Classification	Compal Secret Data	
Issued Date	2006/10/4	Deciphered Date
		2007/10/4

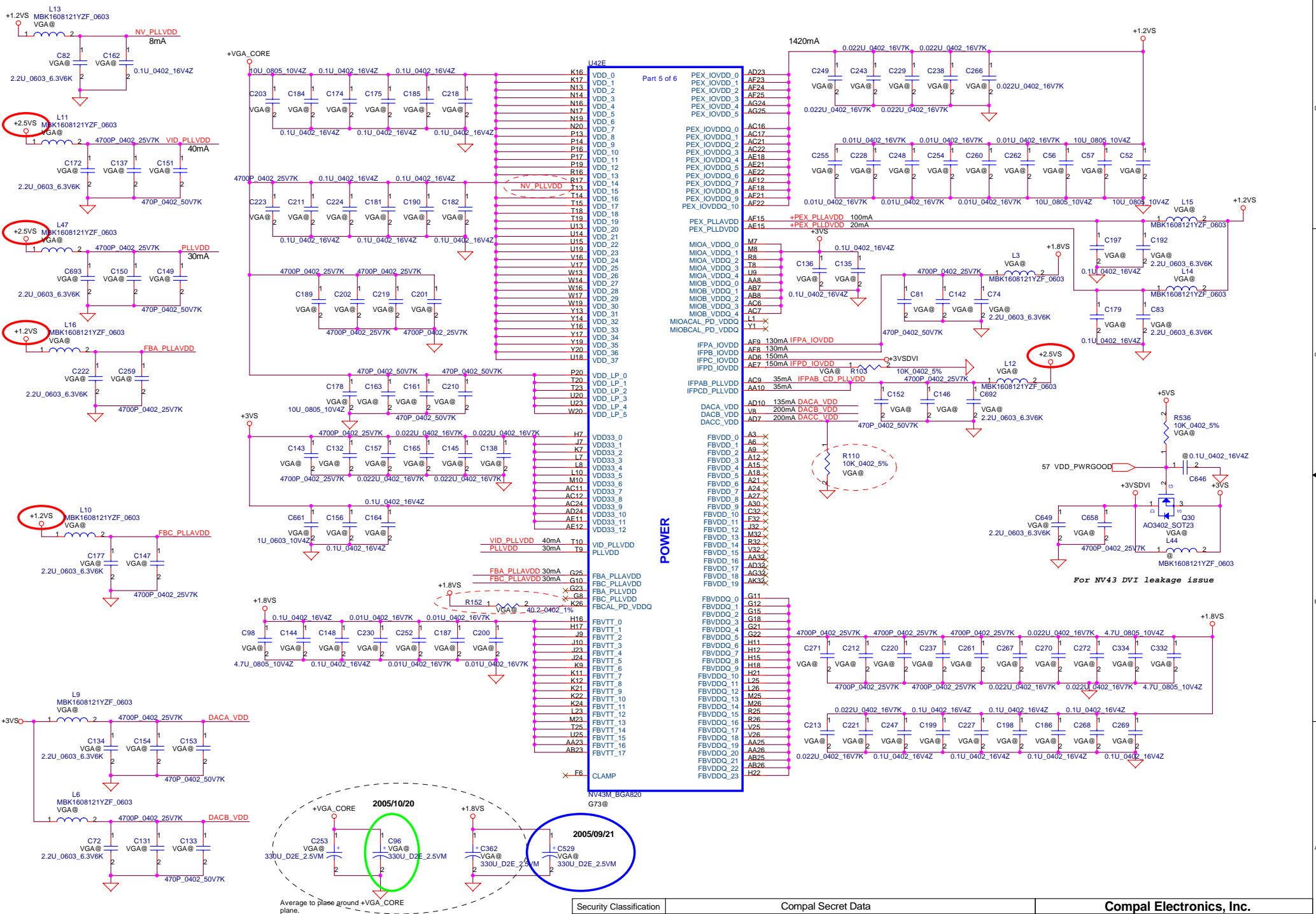
THIS SHEET OF ENGINEERING DRAWING IS THE PROPRIETARY PROPERTY OF COMPAL ELECTRONICS, INC. AND CONTAINS CONFIDENTIAL AND TRADE SECRET INFORMATION. THIS SHEET MAY NOT BE TRANSFERRED FROM THE CUSTODY OF THE COMPETENT DIVISION OF R&D DEPARTMENT EXCEPT AS AUTHORIZED BY COMPAL ELECTRONICS, INC. NEITHER THIS SHEET NOR THE INFORMATION IT CONTAINS MAY BE USED BY OR DISCLOSED TO ANY THIRD PARTY WITHOUT PRIOR WRITTEN CONSENT OF COMPAL ELECTRONICS, INC.

Compal Electronics, Inc.		
Title		
SCHEMATIC, M/B LA-2921P		
Size	Document Number	Rev
B	401398	H
Date:	星期四, 十月 05, 2006	Sheet 14 of 59

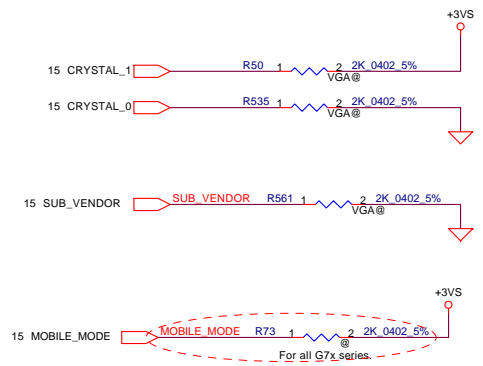
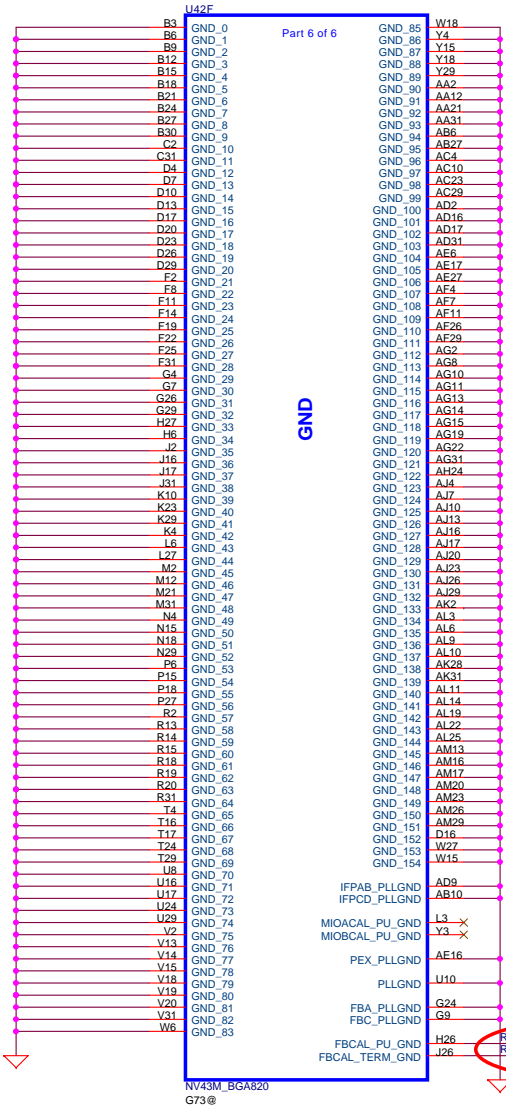




Security Classification	Compal Secret Data		Title	Compal Electronics, Inc.	
Issued Date	2006/10/4	Deciphered Date	2007/10/4	SCHEMATIC, M/B LA-2921P	
THIS SHEET OF ENGINEERING DRAWING IS THE PROPRIETARY PROPERTY OF COMPAL ELECTRONICS, INC. AND CONTAINS CONFIDENTIAL AND TRADE SECRET INFORMATION. THIS SHEET MAY NOT BE TRANSFERRED FROM THE CUSTODY OF THE COMPETENT DIVISION OF R&D DEPARTMENT EXCEPT AS AUTHORIZED BY COMPAL ELECTRONICS, INC. NEITHER THIS SHEET NOR THE INFORMATION IT CONTAINS MAY BE USED BY OR DISCLOSED TO ANY THIRD PARTY WITHOUT PRIOR WRITTEN CONSENT OF COMPAL ELECTRONICS, INC.					
Size	B	Document Number	401398	Rev	H
Date:	星期四, 十月 05, 2006	Sheet	16	of	59



Security Classification	Compal Secret Data		Title	Compal Electronics, Inc.	
Issued Date	2006/10/4	Deciphered Date	2007/10/4	SCHEMATIC, M/B LA-2921P	
THIS SHEET OF ENGINEERING DRAWING IS THE PROPRIETARY PROPERTY OF COMPAL ELECTRONICS, INC. AND CONTAINS CONFIDENTIAL AND TRADE SECRET INFORMATION. THIS SHEET MAY NOT BE TRANSFERRED FROM THE CUSTODY OF THE COMPETENT DIVISION OF R&D DEPARTMENT EXCEPT AS AUTHORIZED BY COMPAL ELECTRONICS, INC. NEITHER THIS SHEET NOR THE INFORMATION IT CONTAINS MAY BE USED BY OR DISCLOSED TO ANY THIRD PARTY WITHOUT PRIOR WRITTEN CONSENT OF COMPAL ELECTRONICS, INC.					
Size	B	Document Number	401398		Rev
Date:	星期四, 十月 05, 2006	Sheet	17	of	59



G73M : SA00000QZ00 (A1)
G72M : SA00000QY00
G72MV : SA00000QY20
G73M : SA00000QZ10 (A2)

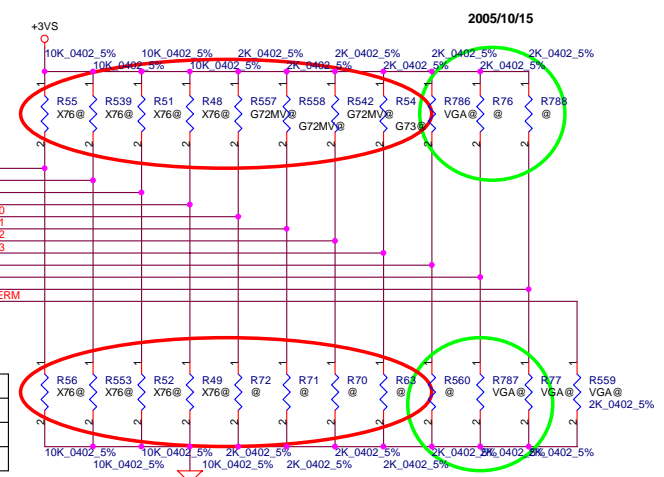
G72MZ : SA00001BL00
 If used G72MZ RAM_CFG[0..3]=0000
 PCI_DEVID[3..2..1..0]=0110
 No stuff all VRAM.

GF-G07600-SE-N-B1 : SA00000QZ30
GF-G07600SEHN-B1/H : SA00000QZ40

R148=30.1_0402_1% (For G72MV) P/N:SD00000B400
R148=40.2_0402_1% (For G73M) P/N:SD034402A80
 Nvidya suggestion

STRAPS	PIN	DESCRIPTION	Value	Value
CRYSTAL[1:0]	MIOBD[6,2]	27MHz=10, 14.318MHz=01, 13.5MHz=00	10	
ROM_TYPE[1:0]	MIOBD [11:10]	Parallel=00, SERIAL M25P10=01, Serial SST45VF=10	01	
SUB_VENDOR	MIOAD1	VBIOs on card (pull high) VBIOs with system BIOS (pull down)	0	
PEX_PLL_TERM	MIOAD0		0	
PEX_CFG[2:0]	MIOAD [9,8,6]	Recommended for G7x	001	
RAM_CFG[3:0]	MIOAD[5:2]	RAM_CFG[3] (Bandwidth 0=Full, 1=Half) RAM_CFG[2] (0=16M or 1=32M) RAM_CFG[1:0] (Manufacture) (01=Sam, 10=Inf, 11=Hyn)		
PCI_DEVID[3:0]	VIPOD[5:3] MIOA_HSYNC	G73M-xxxxx8 G72M-0x01D8 G72MV-0x01D7 TBD/TBD	1000	0111
MOBILE_MODE	MIOBD7	For NV44M/G7x		0

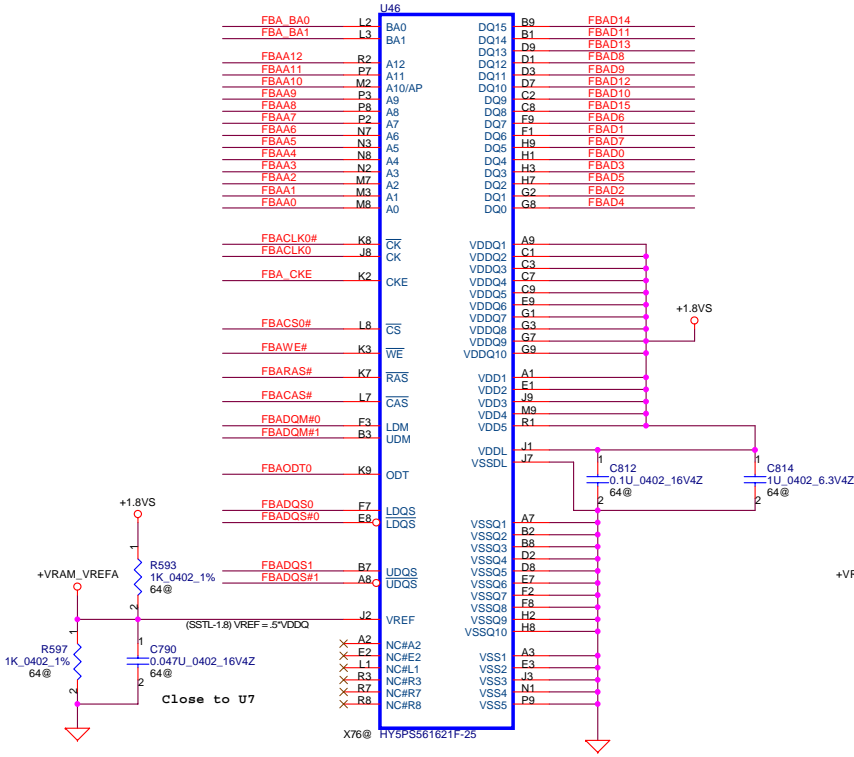
RAM_CFG[1:0] (Manufacture) (01=Sam, 10=Inf, 11=Hyn)
 RAM_CFG[2] (0=16M or 1=32M)
 RAM_CFG[3] (Bandwidth 0=Full, 1=Half)



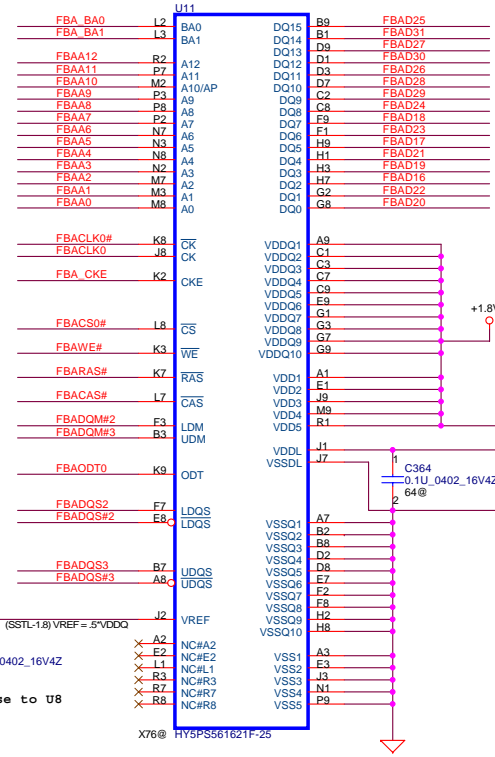
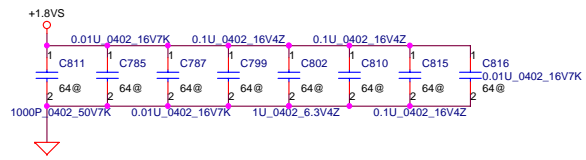
Bandwidth	RAM Type	Vendor
FULL R49	32M R51	Samsung R553, R55
HALF R48	16M R52	Hynix R539, R55
		Infinion R539, R56

Package		
(10*12.5)	Infinion GDDR2(400): SA00000S800 (HYB18T256161AFL-25)	Infinion GDDR2(350): SA00000T700 (HYB18T256161AF-28)
(11*13)	Samsung GDDR2 (400): SA00000FG10 (K4N56163QF-ZC25)	Samsung GDDR2 (350): SA00000TB00 (K4N56163QF-ZC2A)
(8*13)	Hynix GDDR2 (400): SA00000FF10 (HY5PS561621AFP-25)	Hynix GDDR2 (350): SA00000TJ00 (HY5PS561621AFP-28)

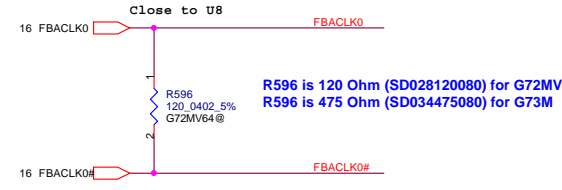
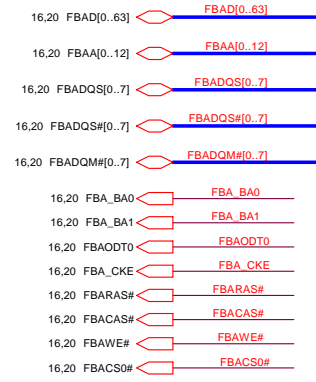
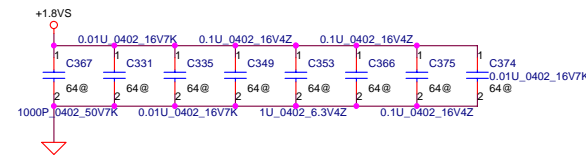
Security Classification	Compal Secret Data		Title	
Issued Date	2006/10/4	Deciphered Date	2007/10/4	Compal Electronics, Inc.
THIS SHEET OF ENGINEERING DRAWING IS THE PROPRIETARY PROPERTY OF COMPAL ELECTRONICS, INC. AND CONTAINS CONFIDENTIAL AND TRADE SECRET INFORMATION. THIS SHEET MAY NOT BE TRANSFERRED FROM THE CUSTODY OF THE COMPETENT DIVISION OF R&D DEPARTMENT EXCEPT AS AUTHORIZED BY COMPAL ELECTRONICS, INC. NEITHER THIS SHEET NOR THE INFORMATION IT CONTAINS MAY BE USED BY OR DISCLOSED TO ANY THIRD PARTY WITHOUT PRIOR WRITTEN CONSENT OF COMPAL ELECTRONICS, INC.				SCHEMATIC, M/B LA-2921P Document Number 401398 Rev H
Date:	星期四, 十月 05, 2006	Sheet	18 of 59	



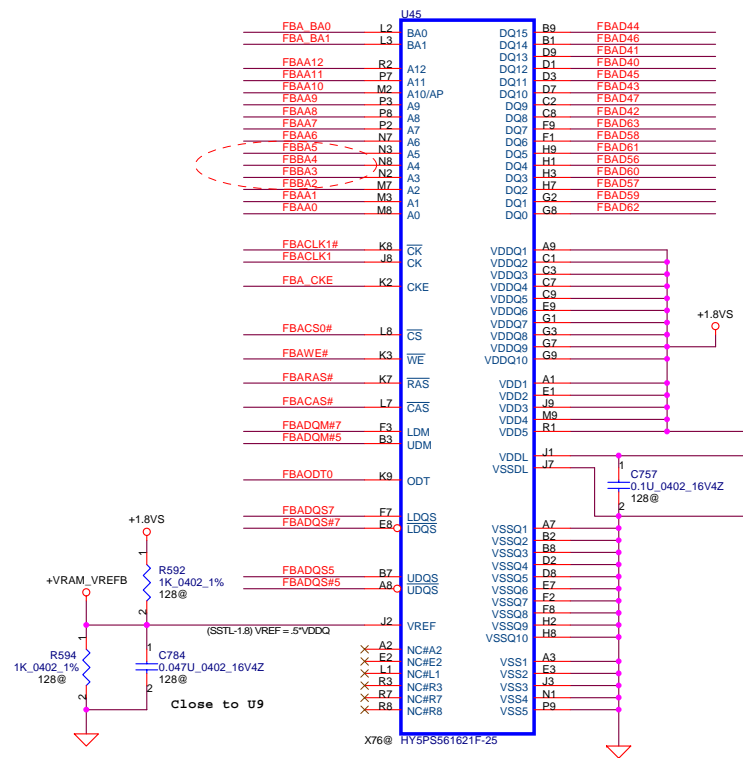
DDR2 BGA MEMORY



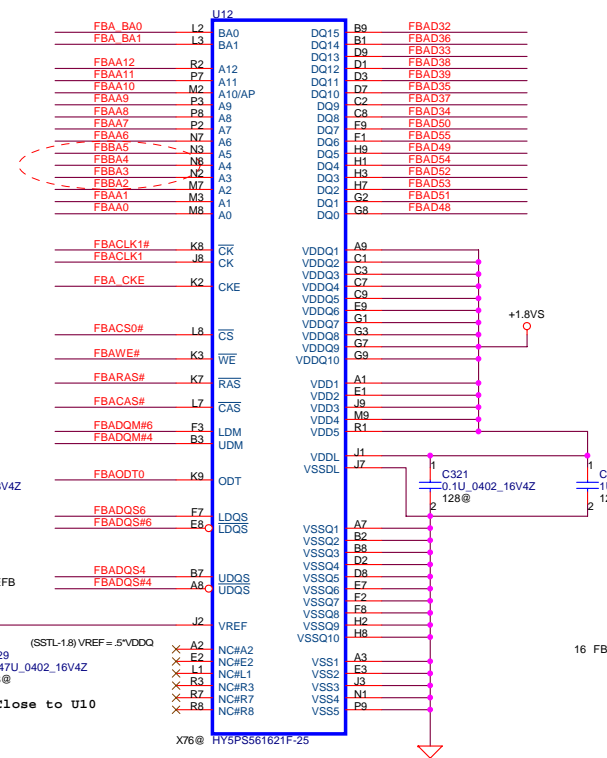
DDR2 BGA MEMORY



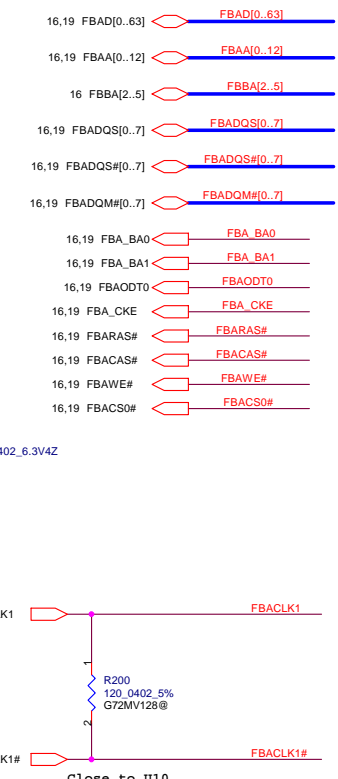
Security Classification	Compal Secret Data		Title	
Issued Date	2006/10/4	Deciphered Date	2007/10/4	Compal Electronics, Inc.
THIS SHEET OF ENGINEERING DRAWING IS THE PROPRIETARY PROPERTY OF COMPAL ELECTRONICS, INC. AND CONTAINS CONFIDENTIAL AND TRADE SECRET INFORMATION. THIS SHEET MAY NOT BE TRANSFERRED FROM THE CUSTODY OF THE COMPETENT DIVISION OF R&D DEPARTMENT EXCEPT AS AUTHORIZED BY COMPAL ELECTRONICS, INC. NEITHER THIS SHEET NOR THE INFORMATION IT CONTAINS MAY BE USED BY OR DISCLOSED TO ANY THIRD PARTY WITHOUT PRIOR WRITTEN CONSENT OF COMPAL ELECTRONICS, INC.				Schematic, M/B LA-2921P
Size		Document Number	Rev	
Custom		401398	H	
Date:	星期四, 十月 05, 2006	Sheet	19	of 59



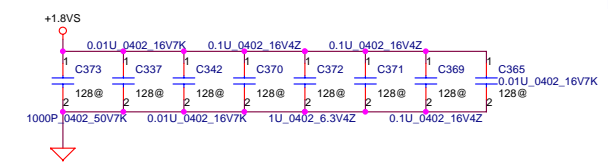
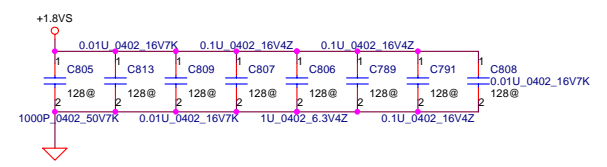
DDR2 BGA MEMORY



DDR2 BGA MEMORY

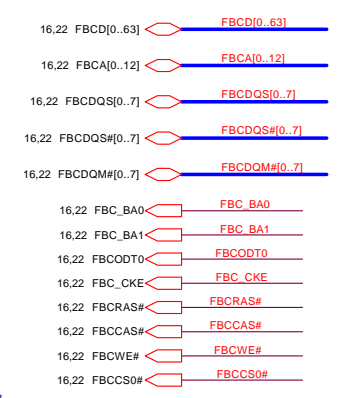
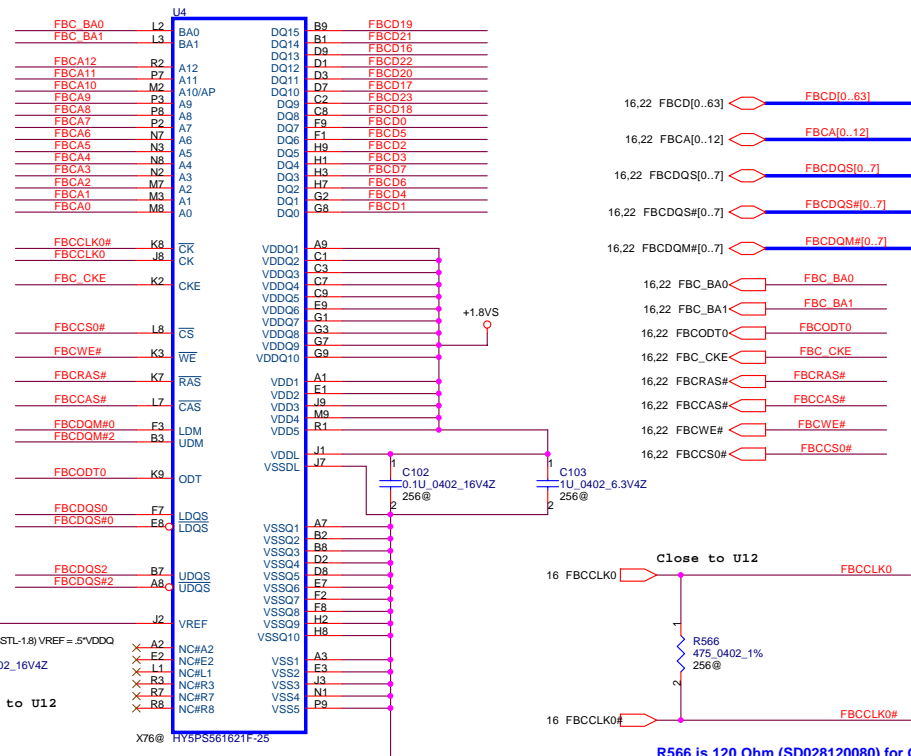
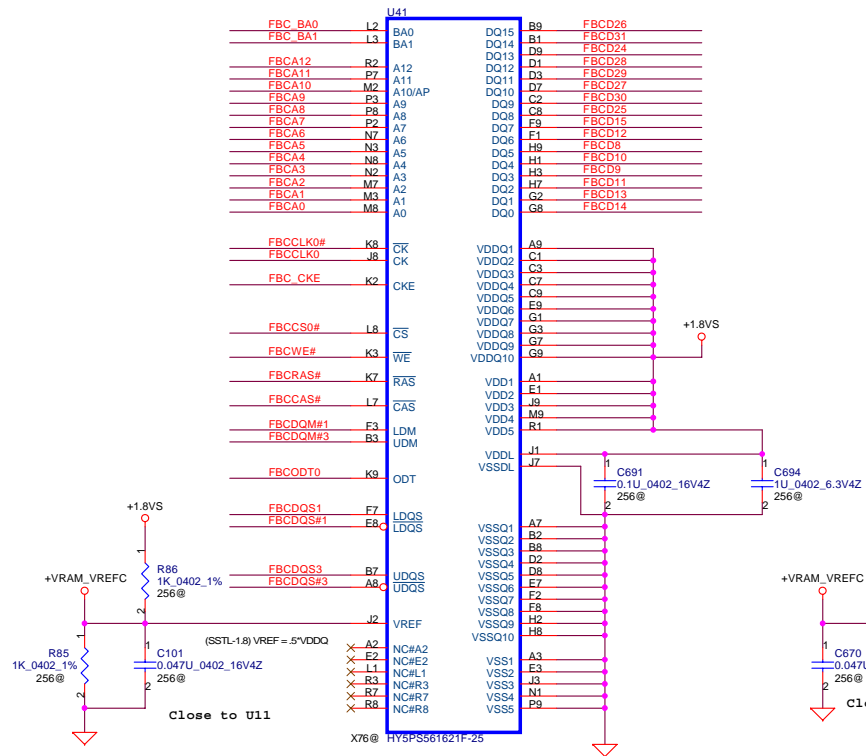


R200 is 120 Ohm (SD028120080) for G72MV
R200 is 475 Ohm (SD034475080) for G73M



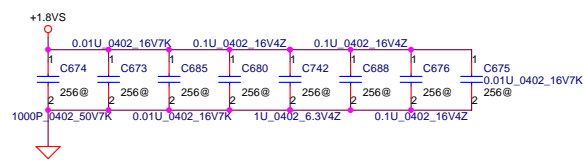
Security Classification	Compal Secret Data	
Issued Date	2006/10/4	Deciphered Date
		2007/10/4
THIS SHEET OF ENGINEERING DRAWING IS THE PROPRIETARY PROPERTY OF COMPAL ELECTRONICS, INC. AND CONTAINS CONFIDENTIAL AND TRADE SECRET INFORMATION. THIS SHEET MAY NOT BE TRANSFERRED FROM THE CUSTODY OF THE COMPETENT DIVISION OF R&D DEPARTMENT EXCEPT AS AUTHORIZED BY COMPAL ELECTRONICS, INC. NEITHER THIS SHEET NOR THE INFORMATION IT CONTAINS MAY BE USED BY OR DISCLOSED TO ANY THIRD PARTY WITHOUT PRIOR WRITTEN CONSENT OF COMPAL ELECTRONICS, INC.		

Compal Electronics, Inc.		
Title		
SCHEMATIC, M/B LA-2921P		
Size	Document Number	Rev
Custom	401398	H
Date:	星期四, 十月 05, 2006	Sheet 20 of 59

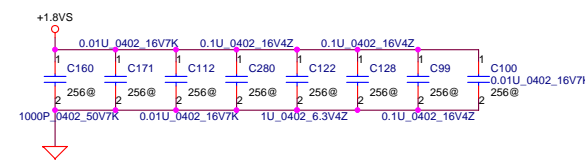


R566 is 120 Ohm (SD028120080) for G72MV
 R566 is 475 Ohm (SD034475080) for G73M

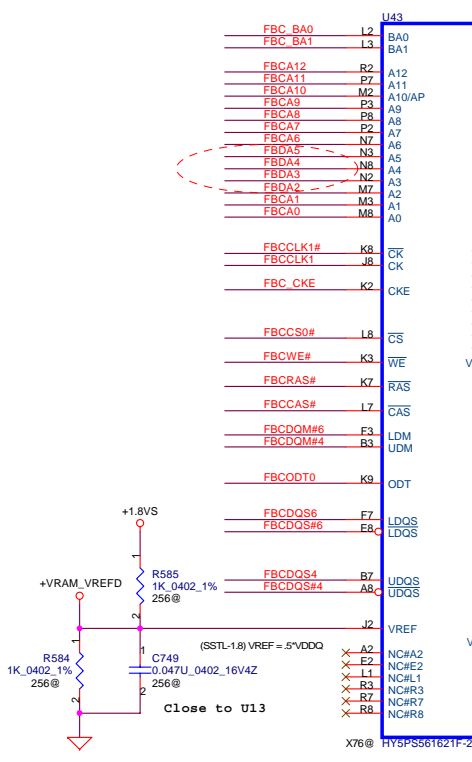
DDR2 BGA MEMORY



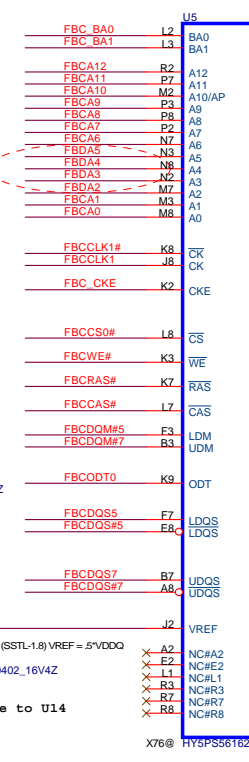
DDR2 BGA MEMORY



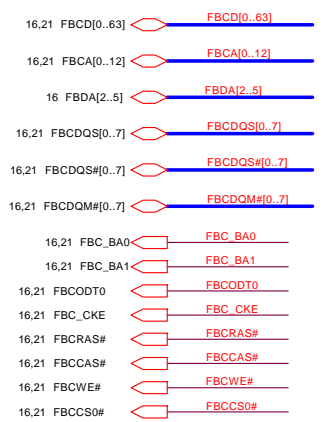
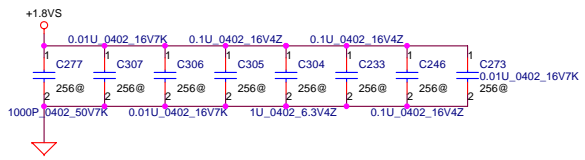
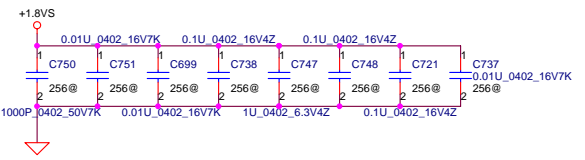
Security Classification	Compal Secret Data			Compal Electronics, Inc.		
Issued Date	2006/10/4	Deciphered Date	2007/10/4	Title		
THIS SHEET OF ENGINEERING DRAWING IS THE PROPRIETARY PROPERTY OF COMPAL ELECTRONICS, INC. AND CONTAINS CONFIDENTIAL AND TRADE SECRET INFORMATION. THIS SHEET MAY NOT BE TRANSFERRED FROM THE CUSTODY OF THE COMPETENT DIVISION OF R&D DEPARTMENT EXCEPT AS AUTHORIZED BY COMPAL ELECTRONICS, INC. NEITHER THIS SHEET NOR THE INFORMATION IT CONTAINS MAY BE USED BY OR DISCLOSED TO ANY THIRD PARTY WITHOUT PRIOR WRITTEN CONSENT OF COMPAL ELECTRONICS, INC.				SCHEMATIC, M/B LA-2921P		
Size		Document Number	Rev		H	
Custom		401398				
Date:	星期四, 十月 05, 2006	Sheet	21	of	59	



DDR2 BGA MEMORY



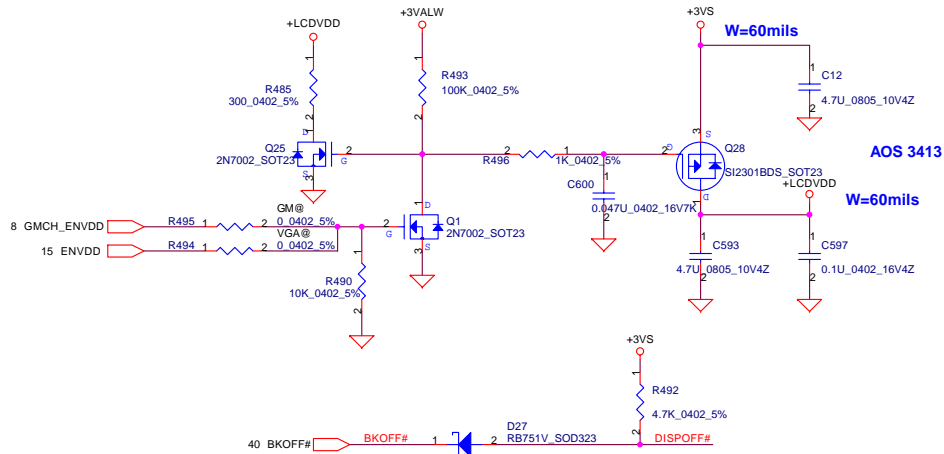
DDR2 BGA MEMORY



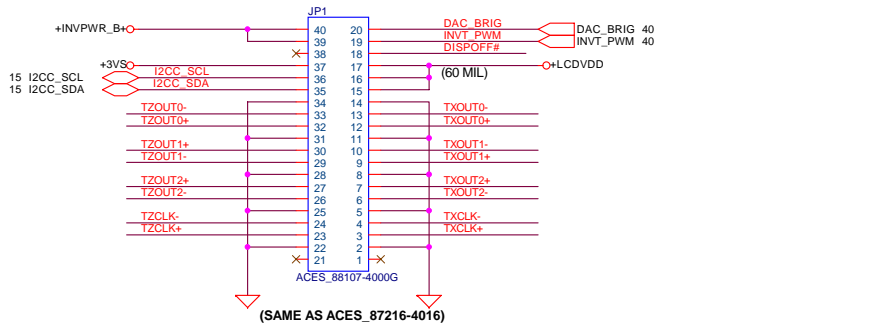
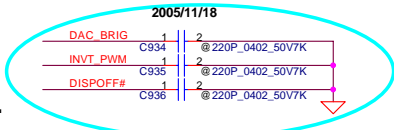
R170 is 120 Ohm (SD028120080) for G72MV
R170 is 475 Ohm (SD034475080) for G73M

Security Classification	Compal Secret Data			Title		
Issued Date	2006/10/4	Deciphered Date	2007/10/4	Compal Electronics, Inc.		
THIS SHEET OF ENGINEERING DRAWING IS THE PROPRIETARY PROPERTY OF COMPAL ELECTRONICS, INC. AND CONTAINS CONFIDENTIAL AND TRADE SECRET INFORMATION. THIS SHEET MAY NOT BE TRANSFERRED FROM THE CUSTODY OF THE COMPETENT DIVISION OF R&D DEPARTMENT EXCEPT AS AUTHORIZED BY COMPAL ELECTRONICS, INC. NEITHER THIS SHEET NOR THE INFORMATION IT CONTAINS MAY BE USED BY OR DISCLOSED TO ANY THIRD PARTY WITHOUT PRIOR WRITTEN CONSENT OF COMPAL ELECTRONICS, INC.				SCHEMATIC, M/B LA-2921P		
				Size	Document Number	Rev
			Custom	401398	H	
Date:			星期四, 十月 05, 2006	Sheet	22 of 59	

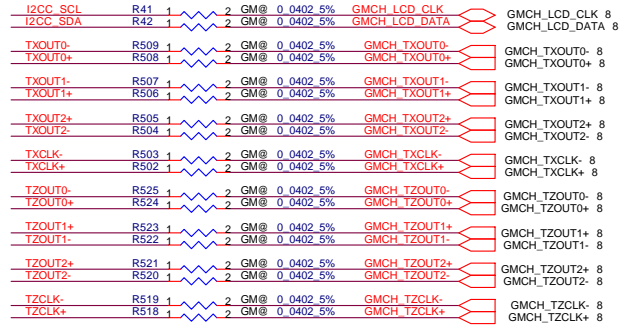
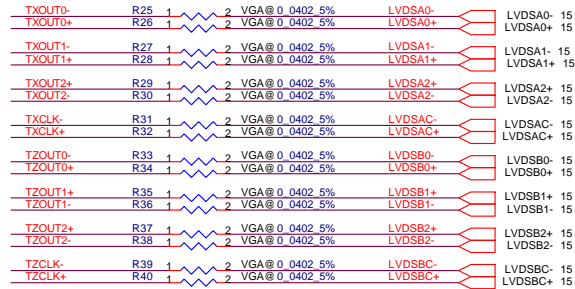
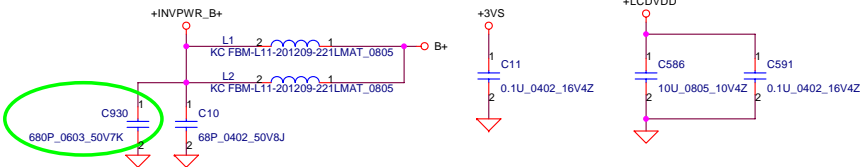
LCD POWER CIRCUIT



LCD/PANEL BD. Conn.

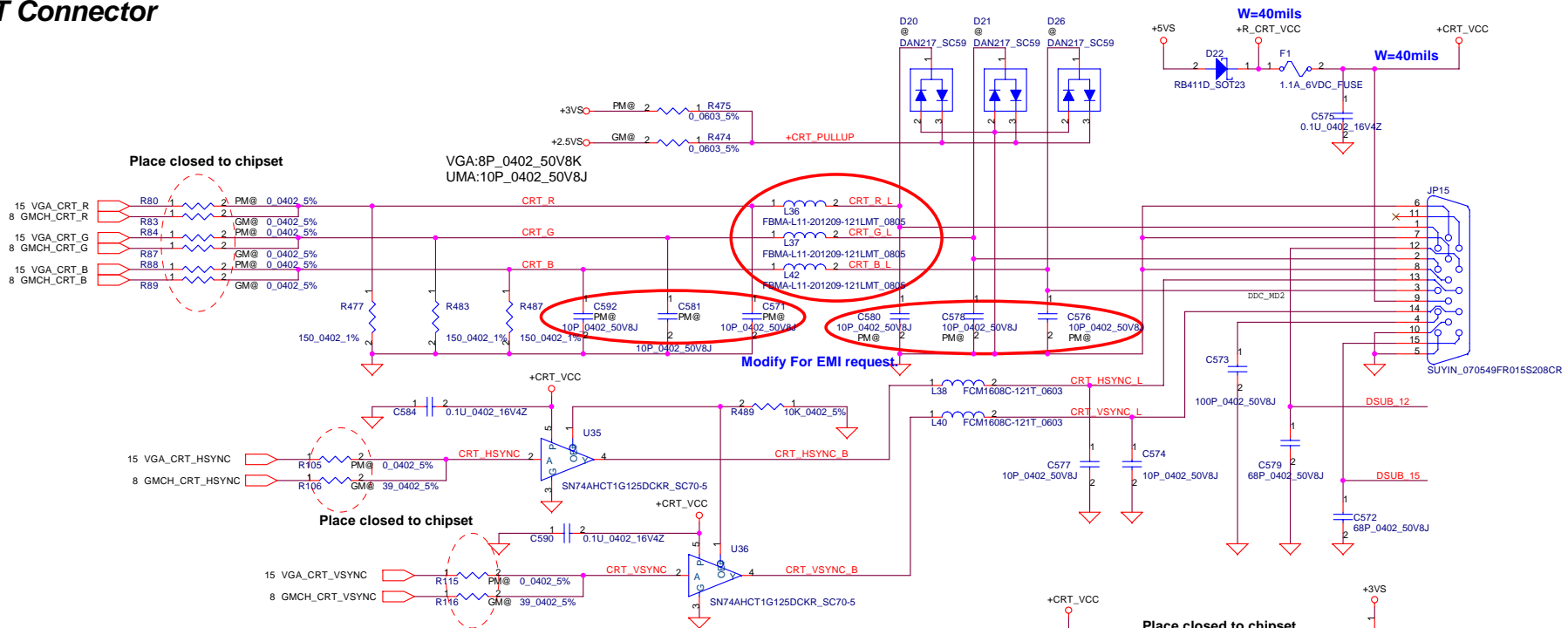


(SAME AS ACES_87216-4016)

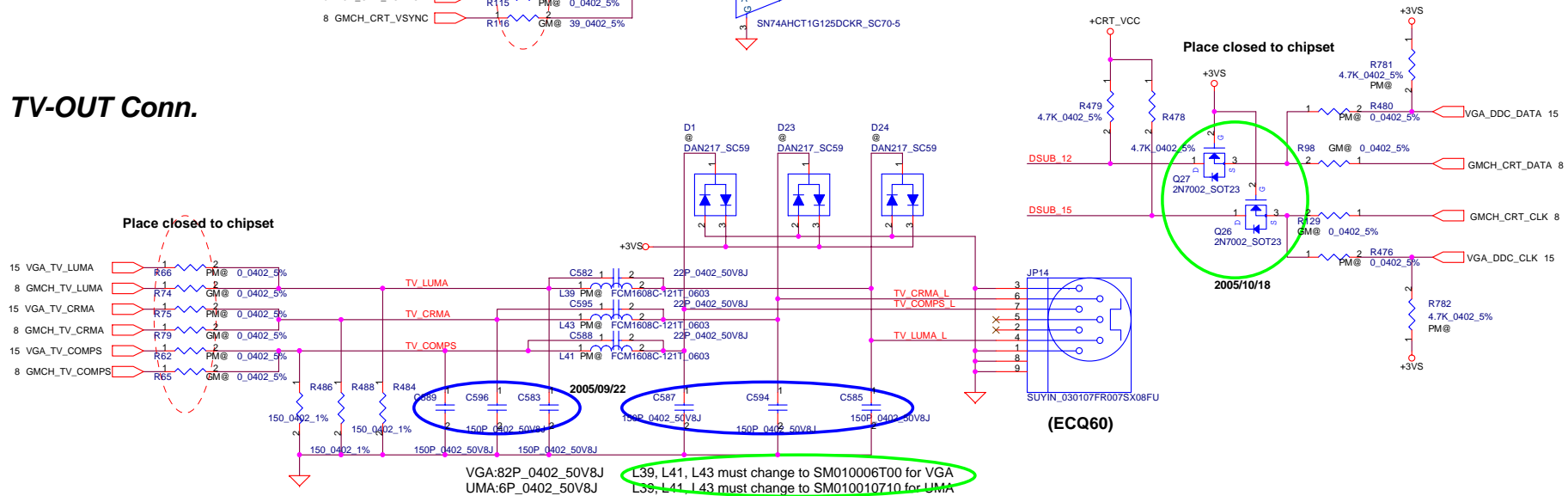


Security Classification	Compal Secret Data		Title	
Issued Date	2006/10/4	Deciphered Date	2007/10/4	Compal Electronics, Inc.
THIS SHEET OF ENGINEERING DRAWING IS THE PROPRIETARY PROPERTY OF COMPAL ELECTRONICS, INC. AND CONTAINS CONFIDENTIAL AND TRADE SECRET INFORMATION. THIS SHEET MAY NOT BE TRANSFERRED FROM THE CUSTODY OF THE COMPETENT DIVISION OF R&D DEPARTMENT EXCEPT AS AUTHORIZED BY COMPAL ELECTRONICS, INC. NEITHER THIS SHEET NOR THE INFORMATION IT CONTAINS MAY BE USED BY OR DISCLOSED TO ANY THIRD PARTY WITHOUT PRIOR WRITTEN CONSENT OF COMPAL ELECTRONICS, INC.				Schematic, M/B LA-2921P
Size B	Document Number	Rev H	Date: 星期四, 十月 05, 2006 Sheet 23 of 59	
	401398			

CRT Connector



TV-OUT Conn.



L39, L41, L43 must change to SM010006T00 for VGA
 L39, L41, L43 must change to SM010010710 for UMA

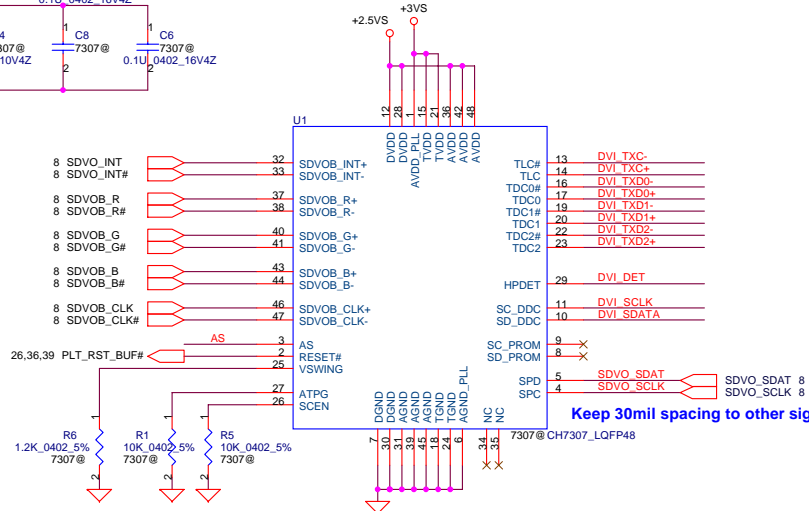
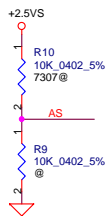
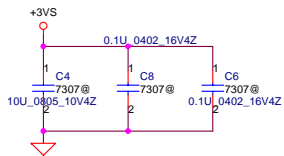
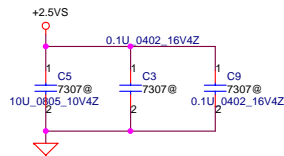
Security Classification	Compal Secret Data		Title	
Issued Date	2006/10/4	Deciphered Date	2007/10/4	
THIS SHEET OF ENGINEERING DRAWING IS THE PROPRIETARY PROPERTY OF COMPAL ELECTRONICS, INC. AND CONTAINS CONFIDENTIAL AND TRADE SECRET INFORMATION. THIS SHEET MAY NOT BE TRANSFERRED FROM THE CUSTODY OF THE COMPETENT DIVISION OF R&D DEPARTMENT EXCEPT AS AUTHORIZED BY COMPAL ELECTRONICS, INC. NEITHER THIS SHEET NOR THE INFORMATION IT CONTAINS MAY BE USED BY OR DISCLOSED TO ANY THIRD PARTY WITHOUT PRIOR WRITTEN CONSENT OF COMPAL ELECTRONICS, INC.				
Size	Document Number	Rev		H
B	401398			
Date:	星期四, 十月 05, 2006	Sheet	24	of 59

Compal Electronics, Inc.

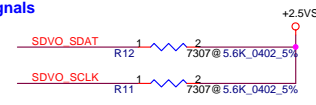
SCHMATIC, M/B LA-2921P

401398

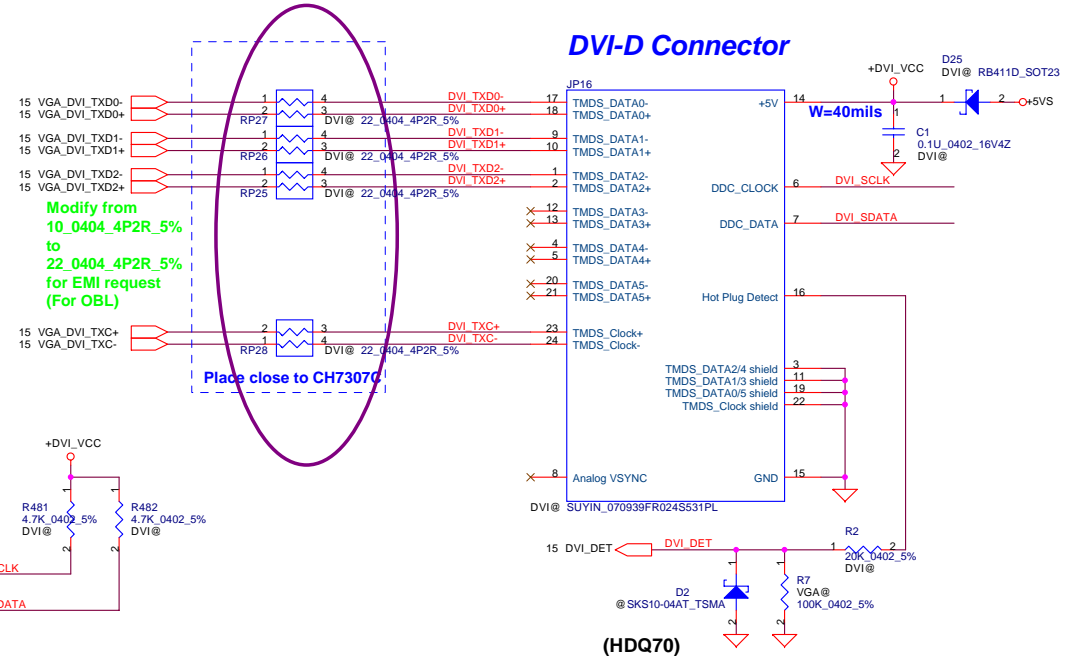
Sheet 24 of 59



BOM structure	DVI from SDVO	DVI from Discrete VGA
7307@	Stuff	No_Stuff
VGA@	No_Stuff	Stuff
@	No_Stuff	No_Stuff



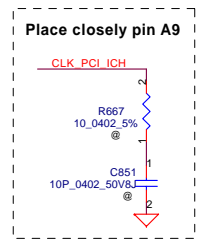
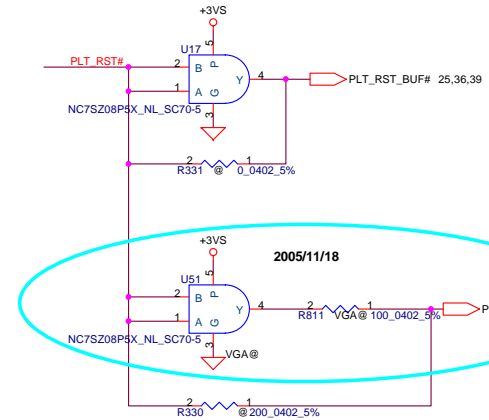
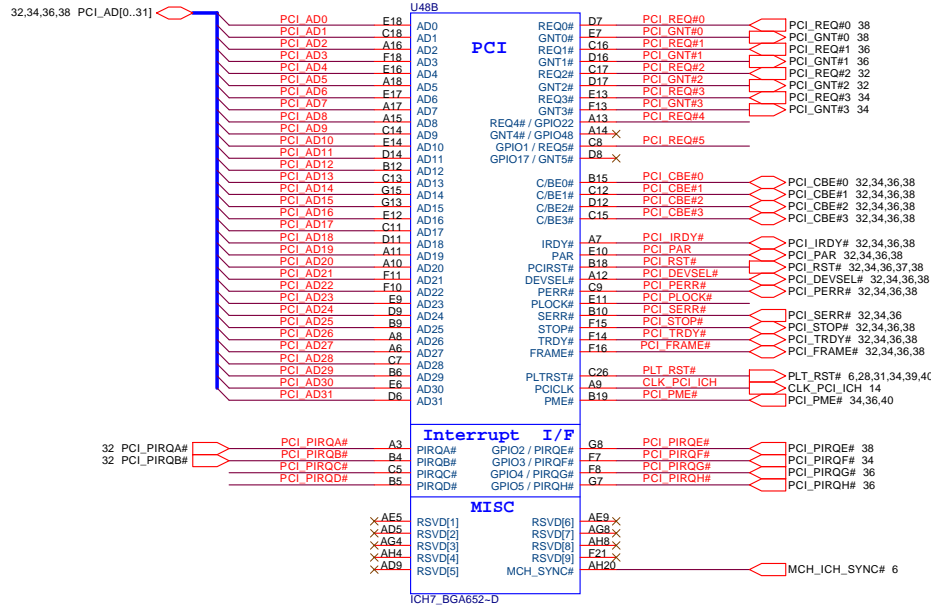
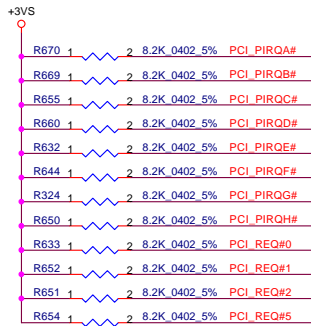
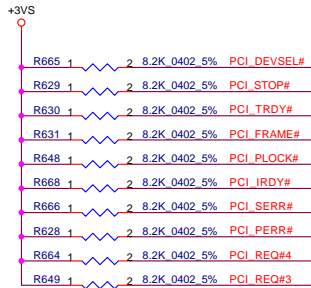
DVI-D Connector



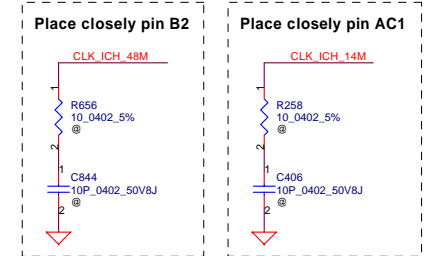
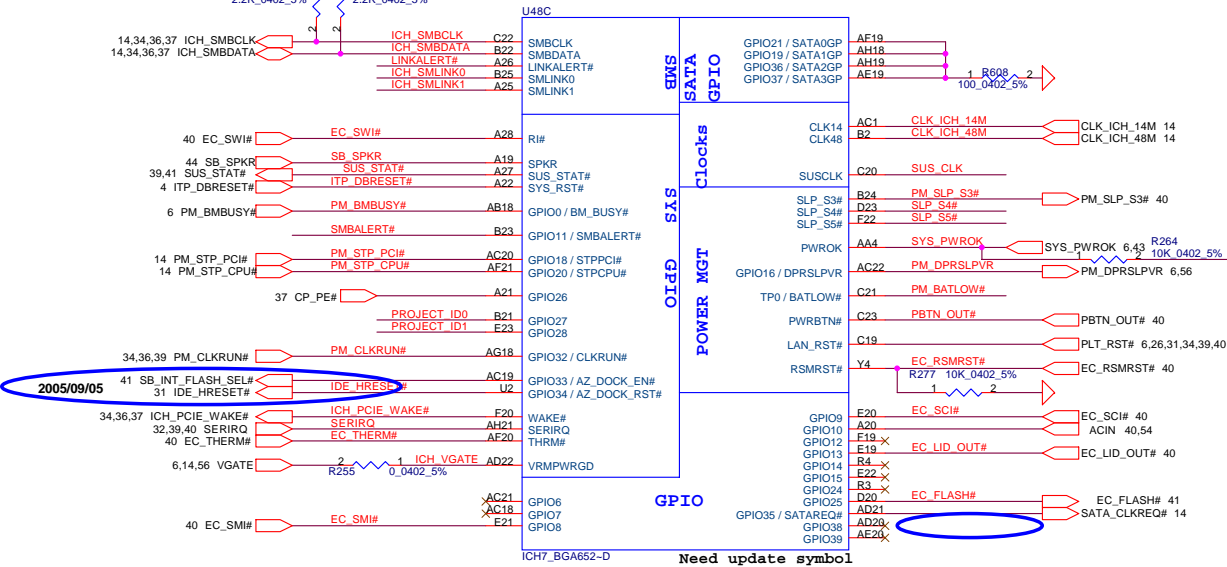
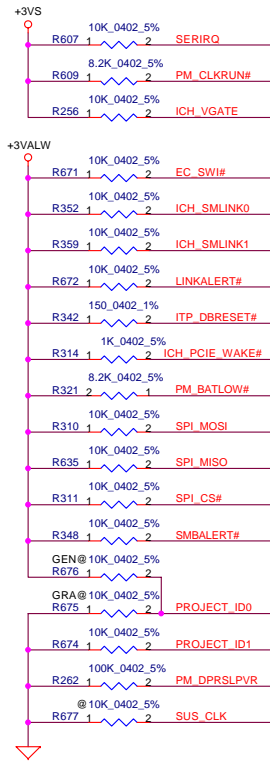
(HDQ70)

Security Classification		Compal Secret Data		Title	
Issued Date	2006/10/4	Deciphered Date	2007/10/4	Compal Electronics, Inc.	
THIS SHEET OF ENGINEERING DRAWING IS THE PROPRIETARY PROPERTY OF COMPAL ELECTRONICS, INC. AND CONTAINS CONFIDENTIAL AND TRADE SECRET INFORMATION. THIS SHEET MAY NOT BE TRANSFERRED FROM THE CUSTODY OF THE COMPETENT DIVISION OF R&D DEPARTMENT EXCEPT AS AUTHORIZED BY COMPAL ELECTRONICS, INC. NEITHER THIS SHEET NOR THE INFORMATION IT CONTAINS MAY BE USED BY OR DISCLOSED TO ANY THIRD PARTY WITHOUT PRIOR WRITTEN CONSENT OF COMPAL ELECTRONICS, INC.				SCHEMATIC, M/B LA-2921P	
				Size B	Document Number
				Date:	星期四, 十月 05, 2006
				Sheet	25 of 59

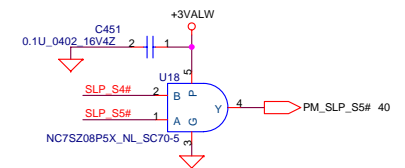
ICH7M(SL8YB) [B-0]:SA0000V190 (ABO!)



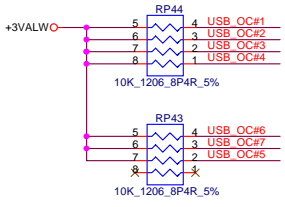
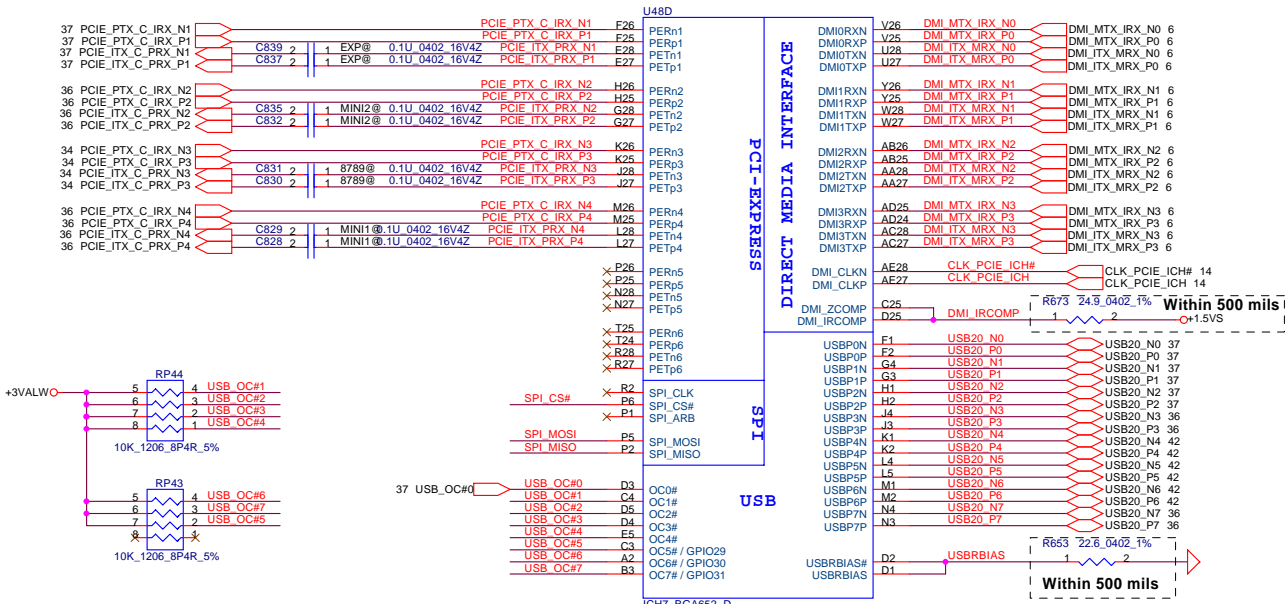
Security Classification	Compal Secret Data			Compal Electronics, Inc.	
Issued Date	2006/10/4	Deciphered Date	2007/10/4	Title	SCHMATIC, M/B LA-2921P
THIS SHEET OF ENGINEERING DRAWING IS THE PROPRIETARY PROPERTY OF COMPAL ELECTRONICS, INC. AND CONTAINS CONFIDENTIAL AND TRADE SECRET INFORMATION. THIS SHEET MAY NOT BE TRANSFERRED FROM THE CUSTODY OF THE COMPETENT DIVISION OF R&D DEPARTMENT EXCEPT AS AUTHORIZED BY COMPAL ELECTRONICS, INC. NEITHER THIS SHEET NOR THE INFORMATION IT CONTAINS MAY BE USED BY OR DISCLOSED TO ANY THIRD PARTY WITHOUT PRIOR WRITTEN CONSENT OF COMPAL ELECTRONICS, INC.				Size	Document Number
					401398
				Date:	星期四, 十月 05, 2006
				Sheet	26 of 59



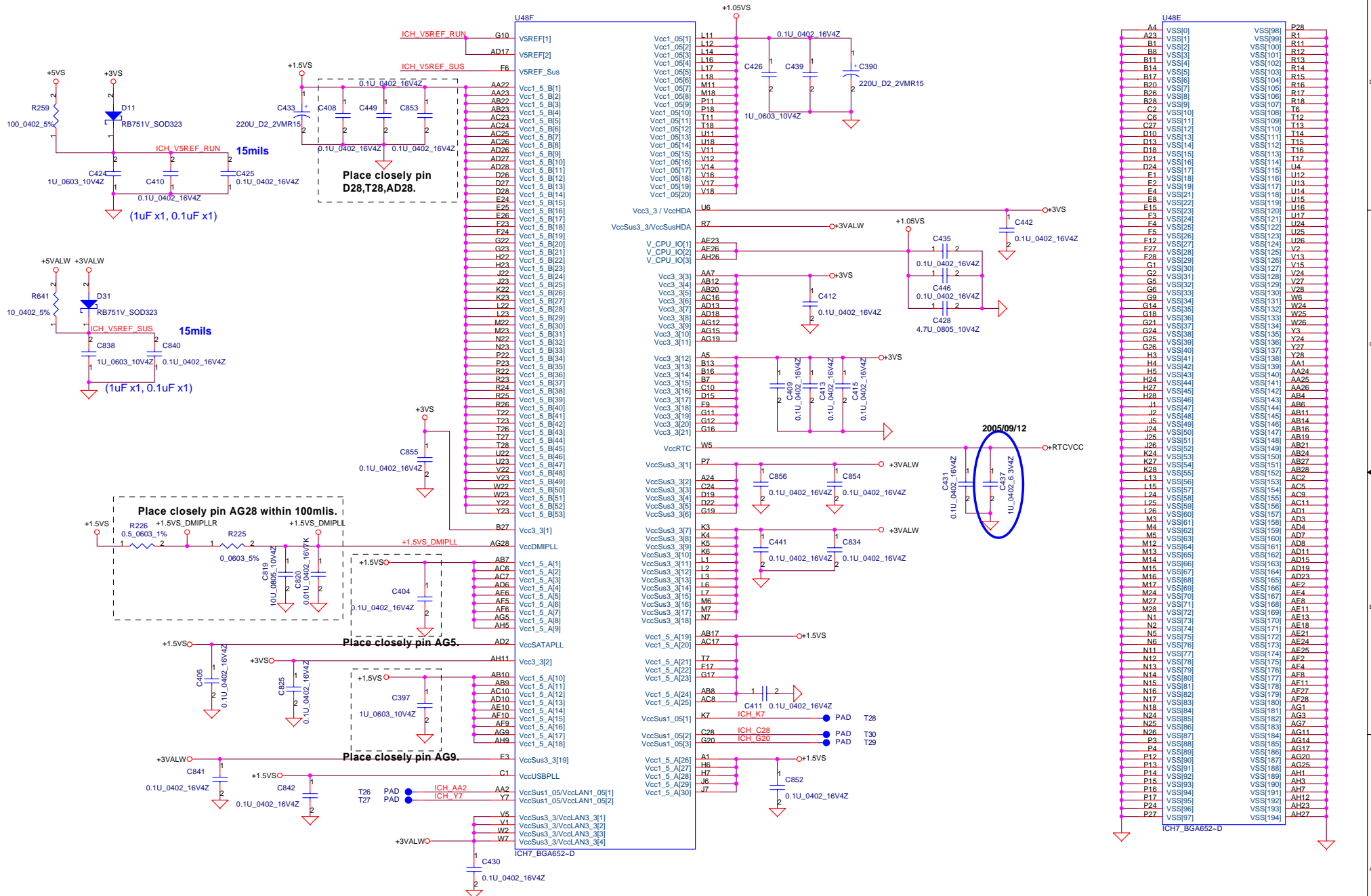
PM_DPRSPLVPR : Need to series a 500Ohm resistor to IMVP6

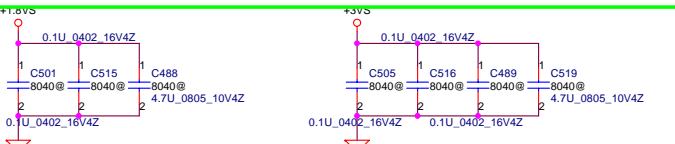
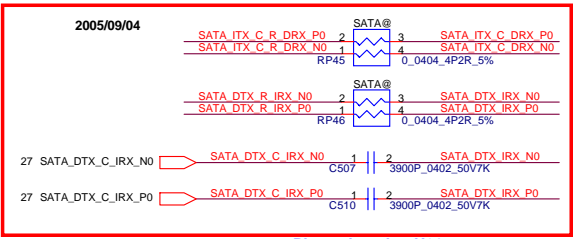
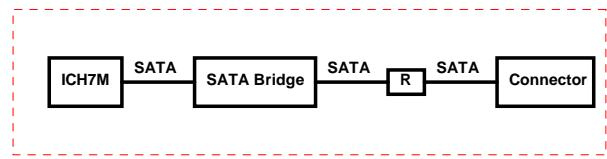
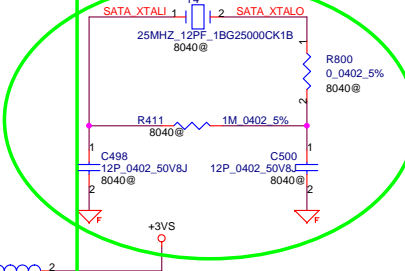
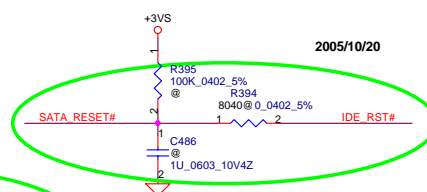
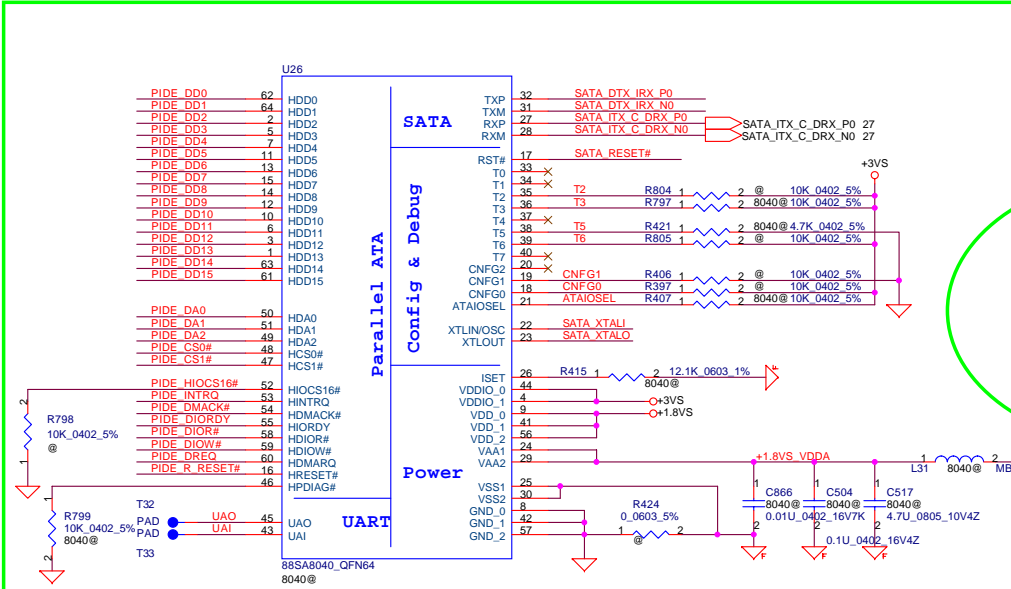


PROJECT_ID[0:1]
00 = Grapevine
01 = Geneva

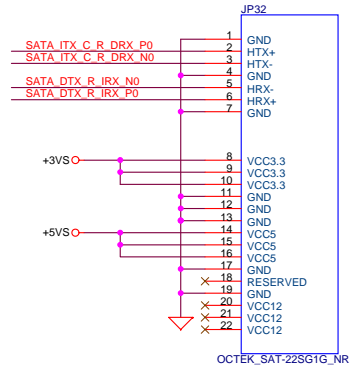
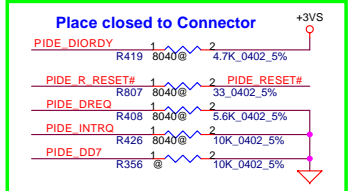
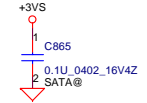


Security Classification	Compal Secret Data		Title	
Issued Date	2006/10/4	Deciphered Date	2007/10/4	Compal Electronics, Inc.
THIS SHEET OF ENGINEERING DRAWING IS THE PROPRIETARY PROPERTY OF COMPAL ELECTRONICS, INC. AND CONTAINS CONFIDENTIAL AND TRADE SECRET INFORMATION. THIS SHEET MAY NOT BE TRANSFERRED FROM THE CUSTODY OF THE COMPETENT DIVISION OF R&D DEPARTMENT EXCEPT AS AUTHORIZED BY COMPAL ELECTRONICS, INC. NEITHER THIS SHEET NOR THE INFORMATION IT CONTAINS MAY BE USED BY OR DISCLOSED TO ANY THIRD PARTY WITHOUT PRIOR WRITTEN CONSENT OF COMPAL ELECTRONICS, INC.				Schematic, M/B LA-2921P
Size	Document Number	Rev		
Custom	401398	H		
Date:	星期四, 十月 05, 2006	Sheet	28	of 59

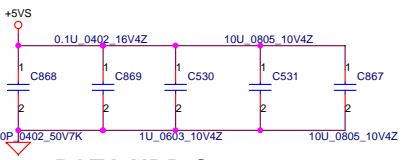




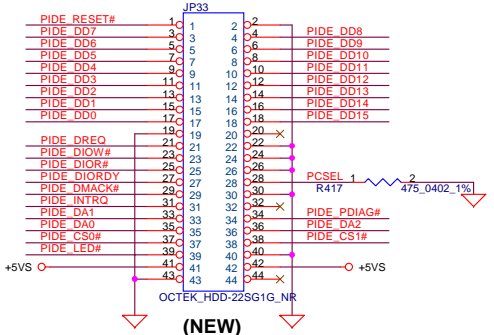
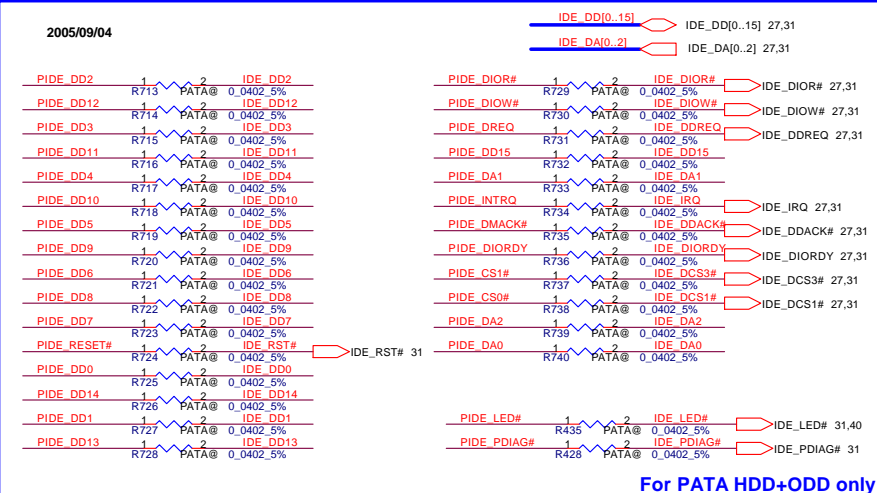
Place closed to U21



(NEW)
Change Library



PATA HDD Conn.

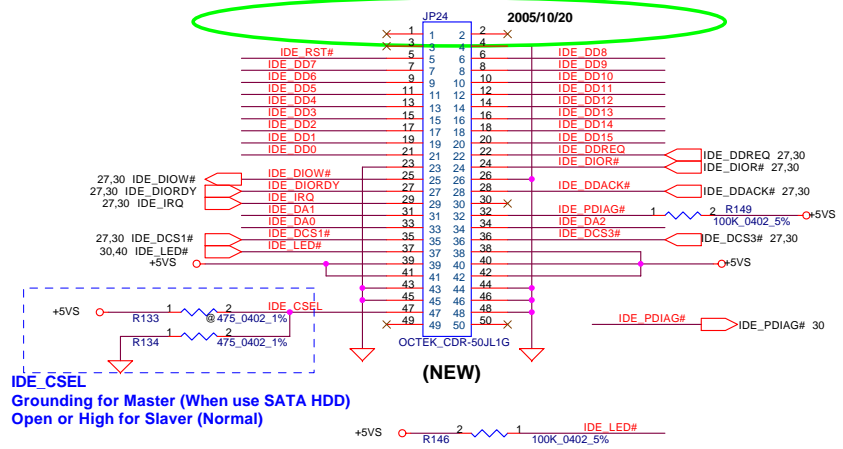
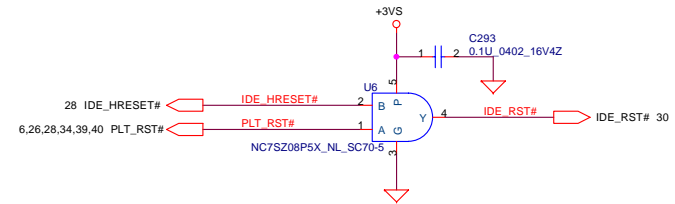
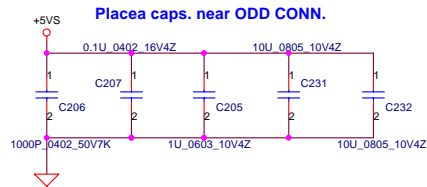


(NEW)

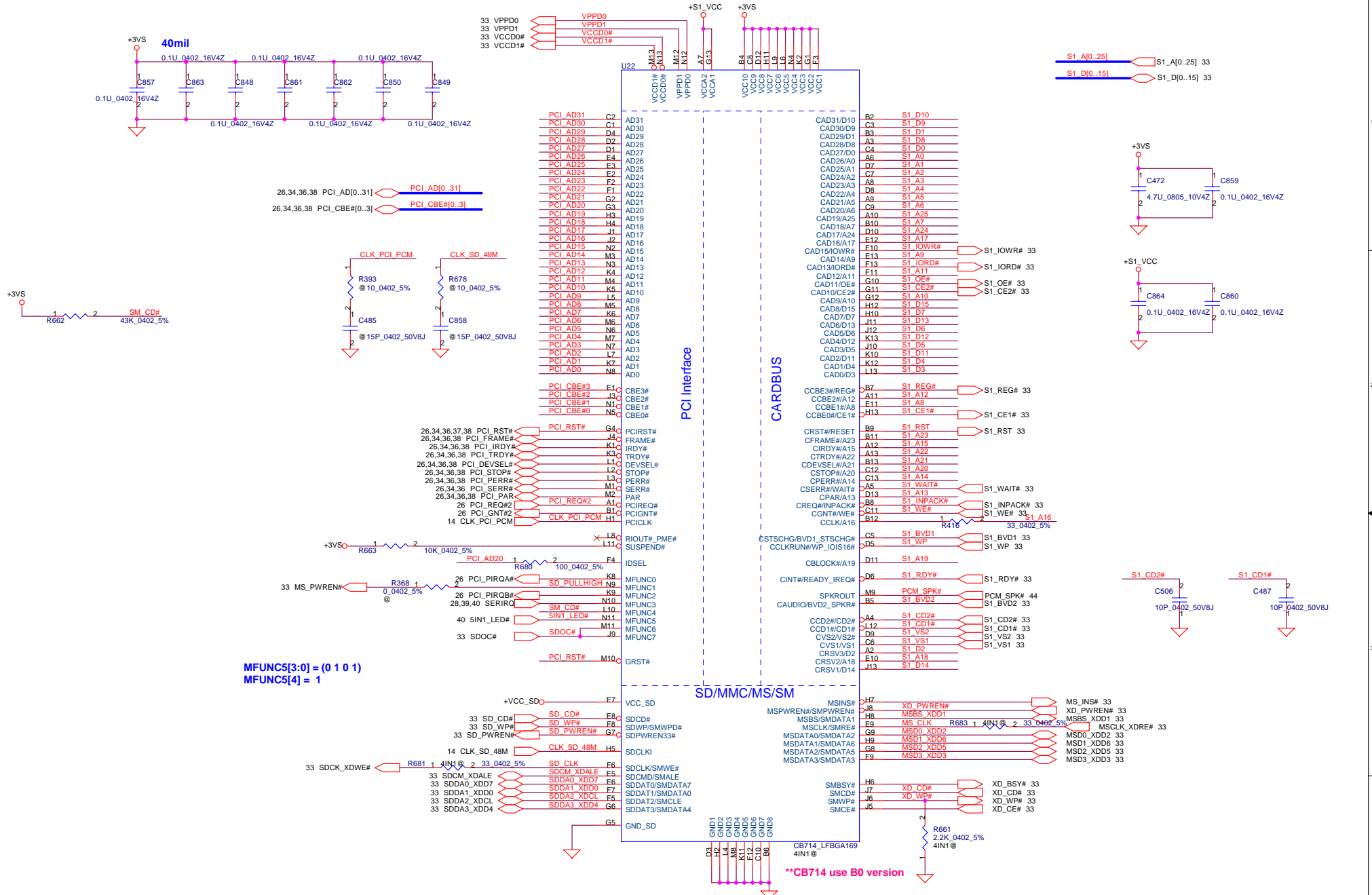
Security Classification	Compal Secret Data	
Issued Date	2006/10/4	Deciphered Date
		2007/10/4

THIS SHEET OF ENGINEERING DRAWING IS THE PROPRIETARY PROPERTY OF COMPAL ELECTRONICS, INC. AND CONTAINS CONFIDENTIAL AND TRADE SECRET INFORMATION. THIS SHEET MAY NOT BE TRANSFERRED FROM THE CUSTODY OF THE COMPETENT DIVISION OF R&D DEPARTMENT EXCEPT AS AUTHORIZED BY COMPAL ELECTRONICS, INC. NEITHER THIS SHEET NOR THE INFORMATION IT CONTAINS MAY BE USED BY OR DISCLOSED TO ANY THIRD PARTY WITHOUT PRIOR WRITTEN CONSENT OF COMPAL ELECTRONICS, INC.

Compal Electronics, Inc.			
SCHEMATIC, M/B LA-2921P			
Size B	Document Number		Rev H
	401398		
Date:	星期四, 十月 05, 2006	Sheet	30 of 59



Security Classification		Compal Secret Data		Compal Electronics, Inc.	
Issued Date	2006/10/4	Deciphered Date	2007/10/4	Title	
				SCHEMATIC, M/B LA-2921P	
THIS SHEET OF ENGINEERING DRAWING IS THE PROPRIETARY PROPERTY OF COMPAL ELECTRONICS, INC. AND CONTAINS CONFIDENTIAL AND TRADE SECRET INFORMATION. THIS SHEET MAY NOT BE TRANSFERRED FROM THE CUSTODY OF THE COMPETENT DIVISION OF R&D DEPARTMENT EXCEPT AS AUTHORIZED BY COMPAL ELECTRONICS, INC. NEITHER THIS SHEET NOR THE INFORMATION IT CONTAINS MAY BE USED BY OR DISCLOSED TO ANY THIRD PARTY WITHOUT PRIOR WRITTEN CONSENT OF COMPAL ELECTRONICS, INC.				Size B	Document Number 401398
				Date: 星期四, 十月 05, 2006	Sheet 31 of 59



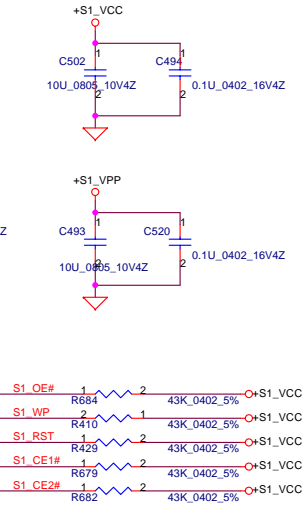
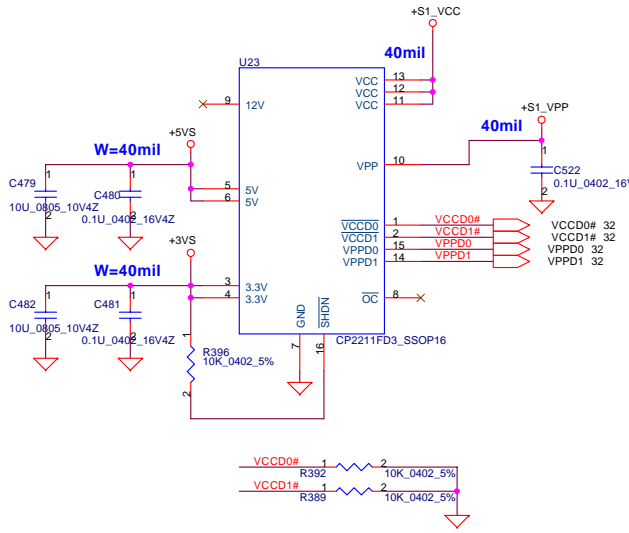
MFUNC5[3:0] = (0 1 0 1)
MFUNC5[4] = 1

CB714 P/N: SA007140B50
CB1410 P/N: SA014100310

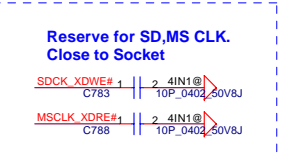
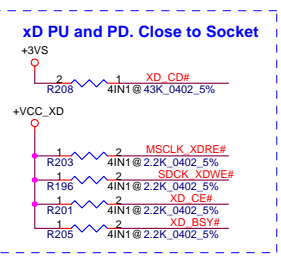
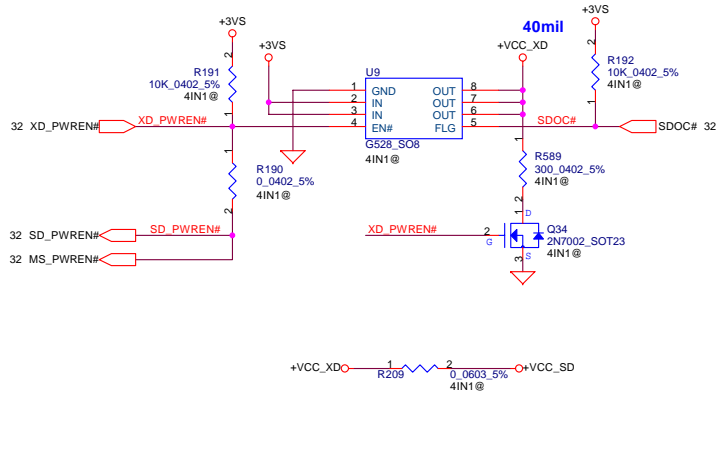
**CB714 use B0 version

Security Classification	Compal Secret Data		Title	
Issued Date	2006/10/4	Deciphered Date	2007/10/4	SCHEMATIC, M/B LA-2921P
<small>THIS SHEET OF ENGINEERING DRAWING IS THE PROPRIETARY PROPERTY OF COMPAL ELECTRONICS, INC. AND CONTAINS CONFIDENTIAL AND TRADE SECRET INFORMATION. THIS SHEET MAY NOT BE TRANSMITTED FROM THE CUSTODY OF THE COMPETENT DIVISION OF R&D DEPARTMENT EXCEPT AS AUTHORIZED BY COMPAL ELECTRONICS, INC. NEITHER THIS SHEET NOR THE INFORMATION IT CONTAINS MAY BE USED BY OR DISCLOSED TO ANY THIRD PARTY WITHOUT PRIOR WRITTEN CONSENT OF COMPAL ELECTRONICS, INC.</small>				
Date:	星期四, 十月 05, 2006	Sheet	32 of 59	Rev H

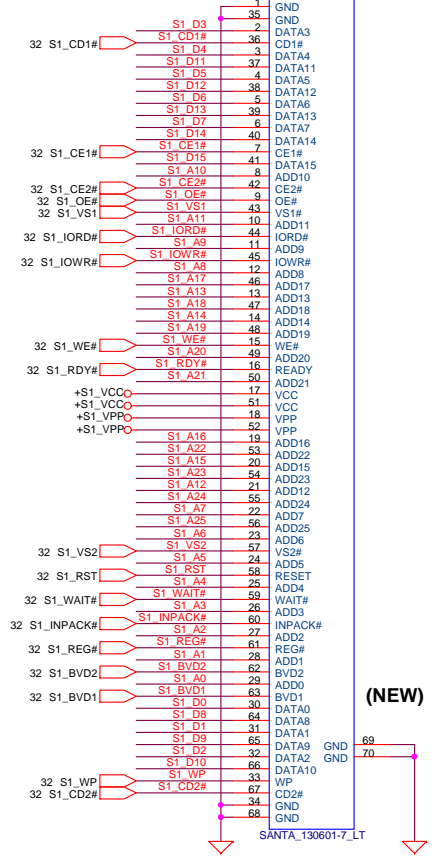
PCMCIA Power Control



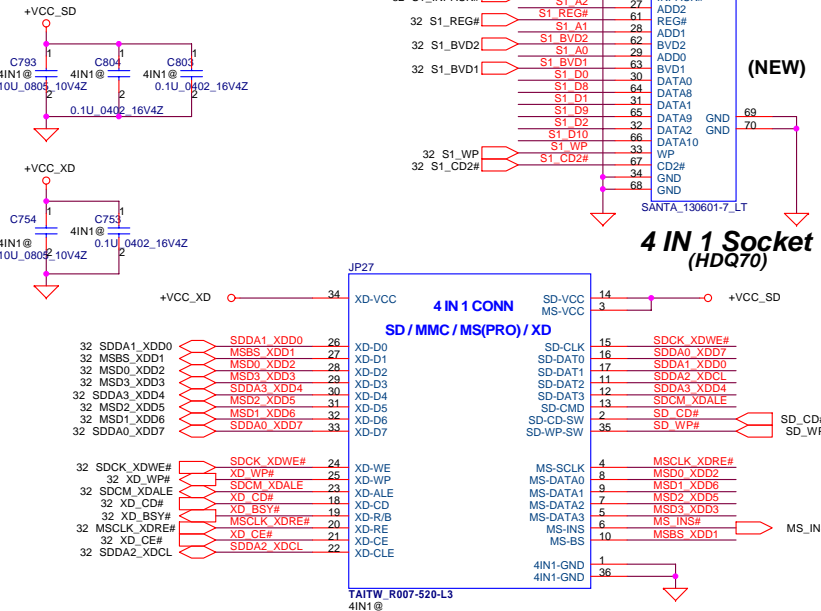
SD/MS Power Control XD Power Control



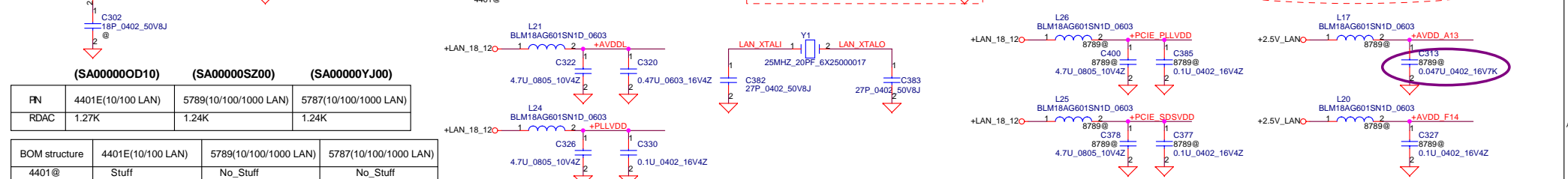
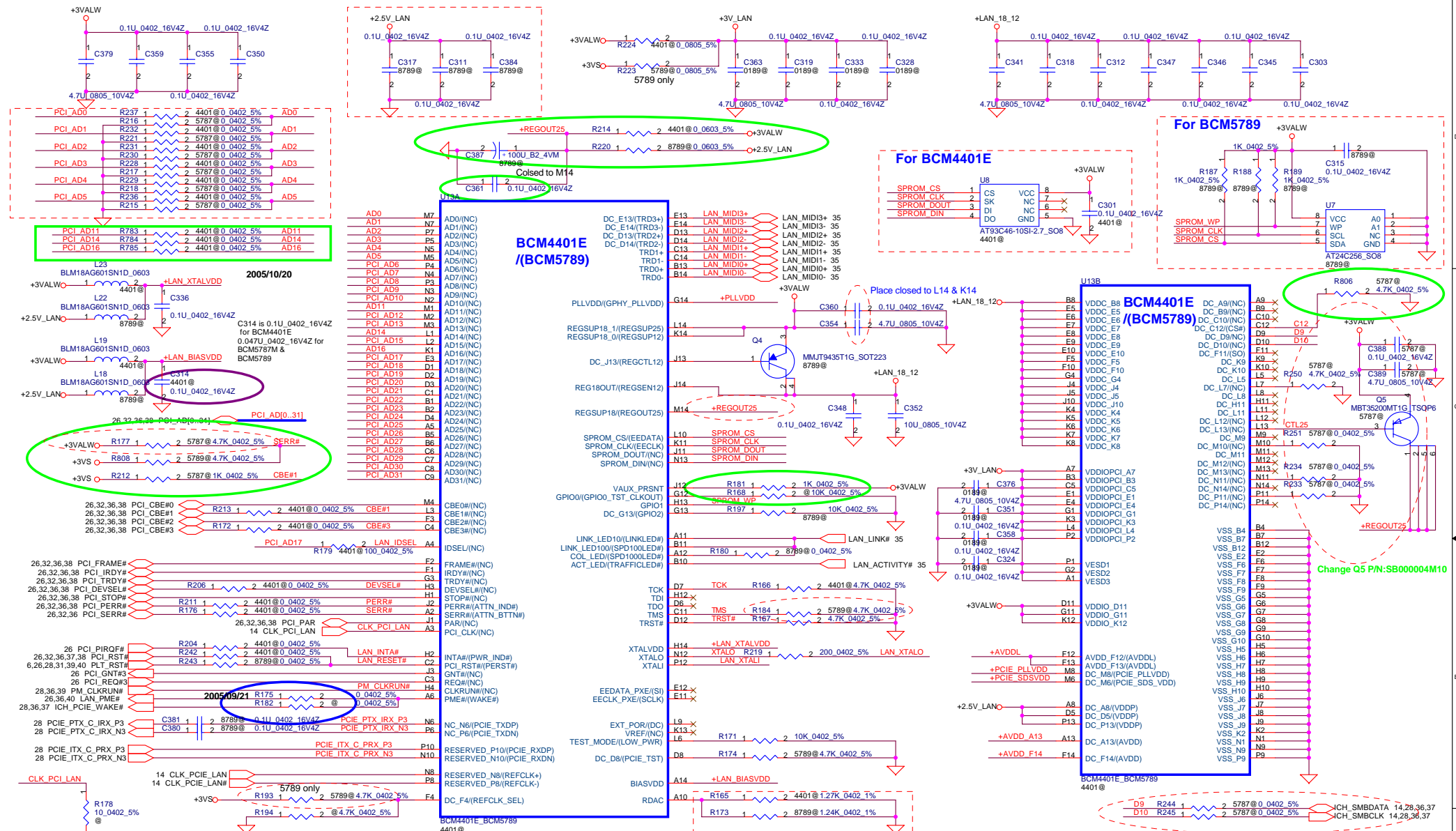
PCMCIA Socket



4 IN 1 Socket (HDQ70)



Security Classification	Compal Secret Data		Title	Compal Electronics, Inc.	
Issued Date	2006/10/4	Deciphered Date	2007/10/4	SCHEMATIC, M/B LA-2921P	
THIS SHEET OF ENGINEERING DRAWING IS THE PROPRIETARY PROPERTY OF COMPAL ELECTRONICS, INC. AND CONTAINS CONFIDENTIAL AND TRADE SECRET INFORMATION. THIS SHEET MAY NOT BE TRANSFERRED FROM THE CUSTODY OF THE COMPETENT DIVISION OF R&D DEPARTMENT EXCEPT AS AUTHORIZED BY COMPAL ELECTRONICS, INC. NEITHER THIS SHEET NOR THE INFORMATION IT CONTAINS MAY BE USED BY OR DISCLOSED TO ANY THIRD PARTY WITHOUT PRIOR WRITTEN CONSENT OF COMPAL ELECTRONICS, INC.					
Size	Document Number	Rev	Date: 星期四, 十月 05, 2006 Sheet 33 of 59		
B	401398	H			



	(SA00000D10)	(SA00000SZ00)	(SA00000YJ00)
FN	4401E(10/100 LAN)	5789(10/100/1000 LAN)	5787(10/100/1000 LAN)
RDAC	1.27K	1.24K	1.24K

BOM structure	4401E(10/100 LAN)	5789(10/100/1000 LAN)	5787(10/100/1000 LAN)
4401@	Stuff	No_Stuff	No_Stuff
5789@	No_Stuff	Stuff	No_Stuff
5787@	No_Stuff	No_Stuff	Stuff
8789@	No_Stuff	Stuff	Stuff
@	No_Stuff	No_Stuff	No_Stuff

Security Classification	Compal Secret Data	
Issued Date	2006/10/4	Deciphered Date
		2007/10/4

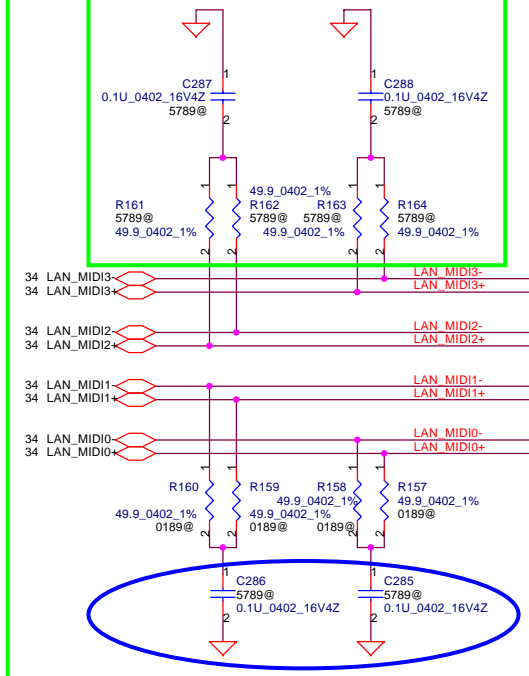
Title		Compal Electronics, Inc.	
SCHEMATIC, M/B LA-2921P		Size	Document Number
		B	401398
Date:	星期四, 十月 05, 2006	Sheet	34 of 59

THIS SHEET OF ENGINEERING DRAWING IS THE PROPRIETARY PROPERTY OF COMPAL ELECTRONICS, INC. AND CONTAINS CONFIDENTIAL AND TRADE SECRET INFORMATION. THIS SHEET MAY NOT BE TRANSFERRED FROM THE CUSTODY OF THE COMPETENT DIVISION OF R&D DEPARTMENT EXCEPT AS AUTHORIZED BY COMPAL ELECTRONICS, INC. NEITHER THIS SHEET NOR THE INFORMATION IT CONTAINS MAY BE USED BY OR DISCLOSED TO ANY THIRD PARTY WITHOUT PRIOR WRITTEN CONSENT OF COMPAL ELECTRONICS, INC.

LAN BCM4401E/ BCM5789

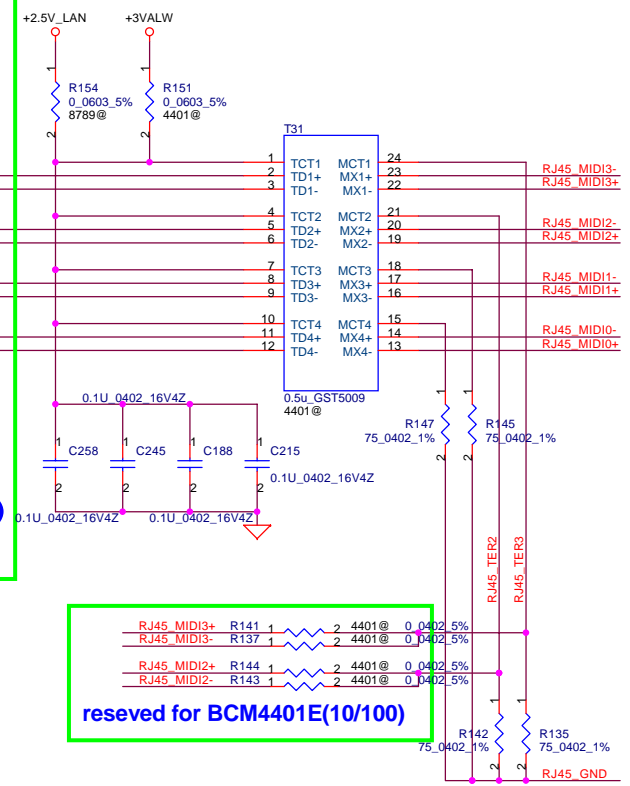
Place these components colsed to LAN chip

unpop when use BCM4401E(10/100)



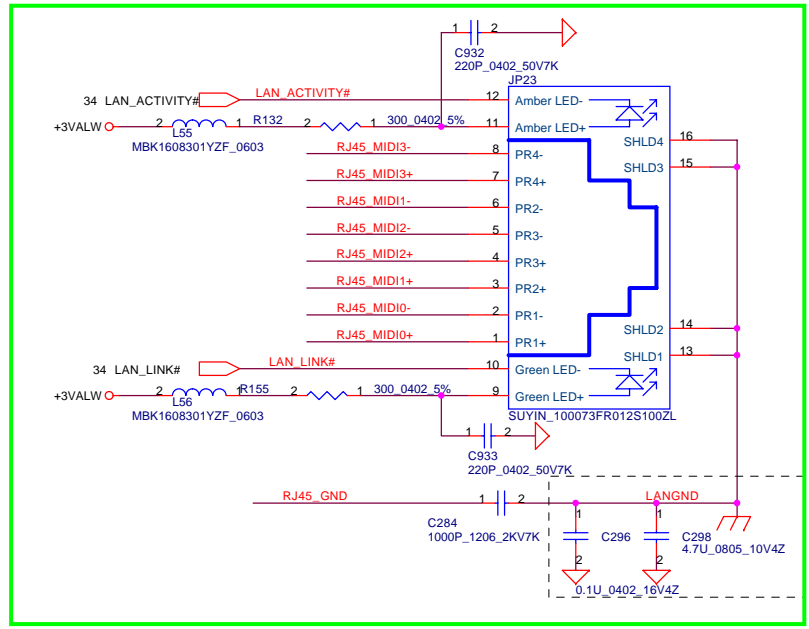
C285, C286 is 0.1uF for BCM5789.
C285, C286 is 0.01uF for BCM4401E.

GbE Transformer: GST5009 (SP050005610)
10/100 Transformer : TST1284-LF (SP050001X10)

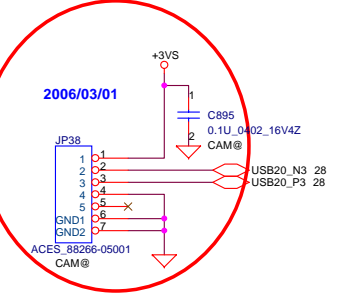
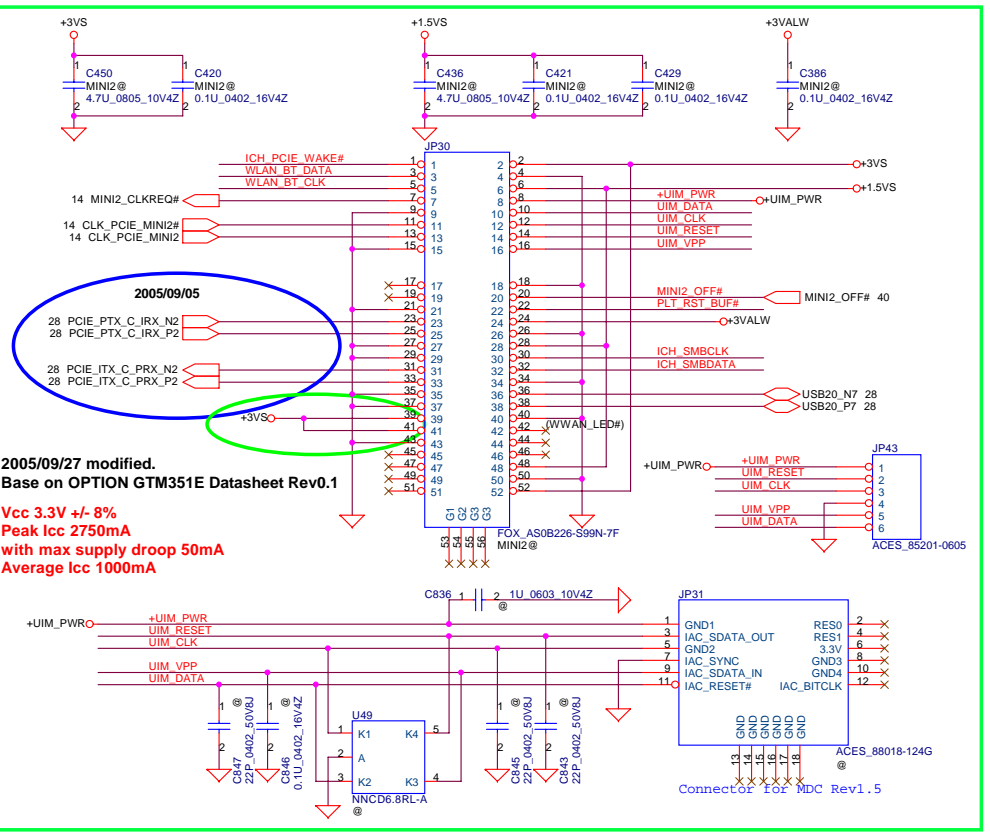
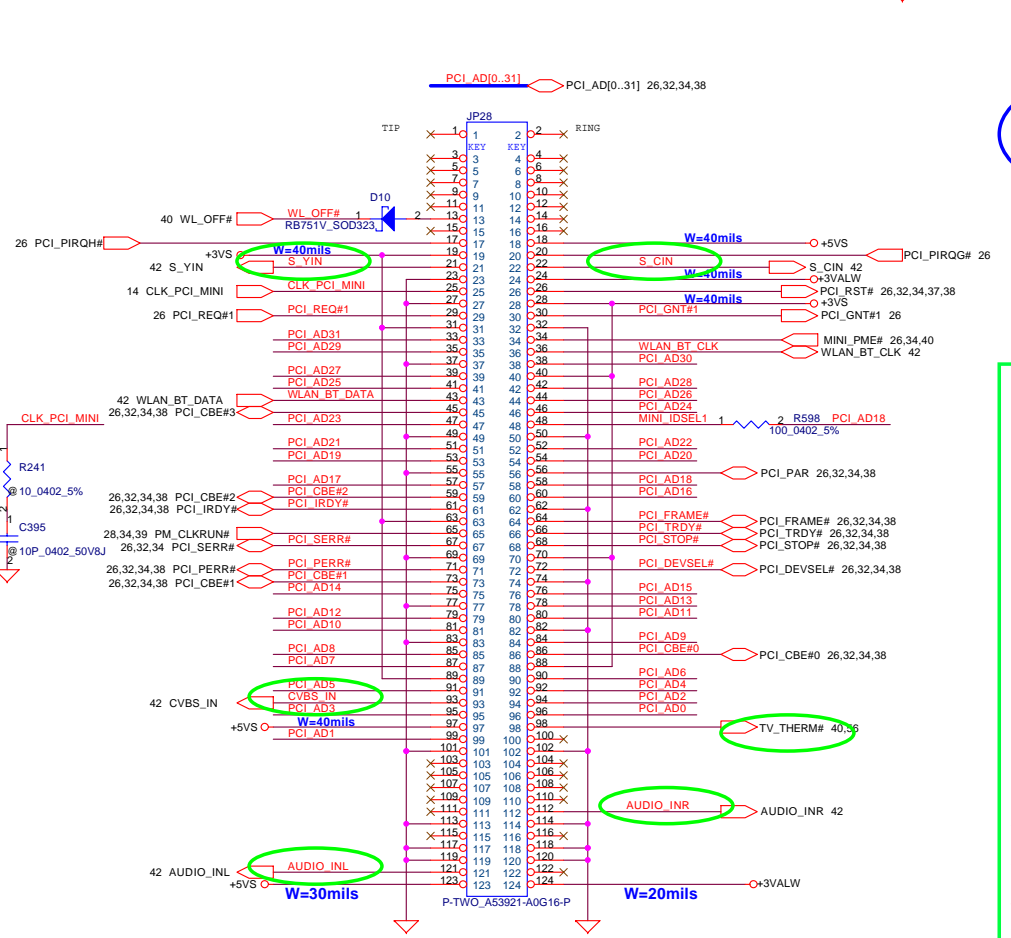
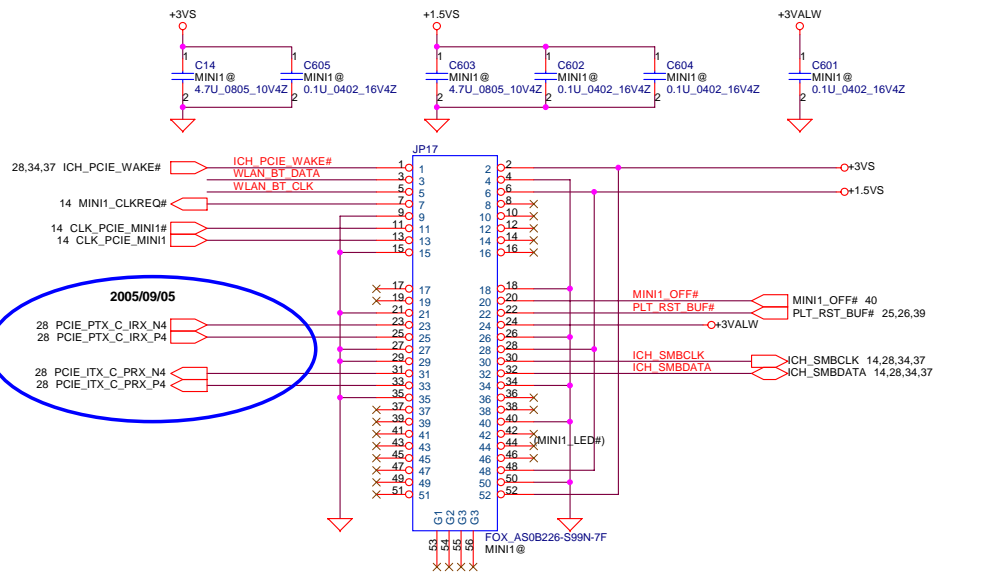
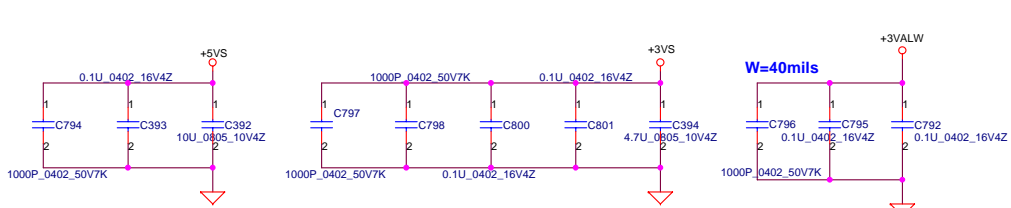


RJ45_MIDI3+ R141 1 2 4401@ 0.0402 5%
RJ45_MIDI3- R137 1 2 4401@ 0.0402 5%
RJ45_MIDI2+ R144 1 2 4401@ 0.0402 5%
RJ45_MIDI2- R143 1 2 4401@ 0.0402 5%

reused for BCM4401E(10/100)

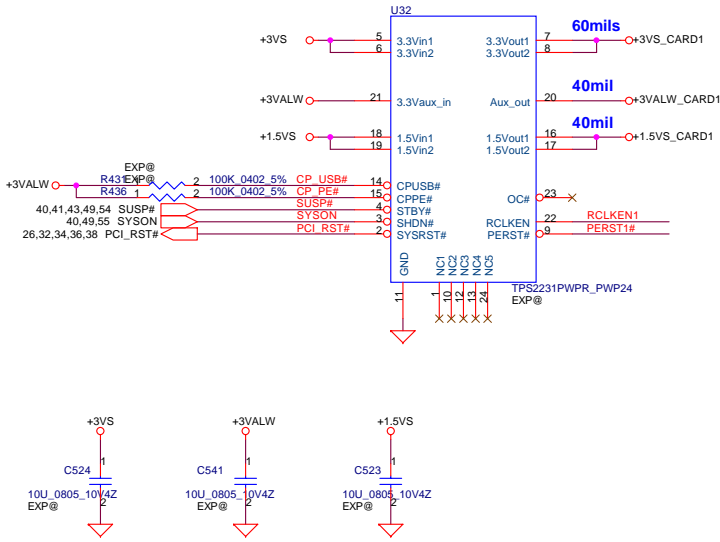


Security Classification		Compal Secret Data		Compal Electronics, Inc.	
Issued Date	2006/10/4	Deciphered Date	2007/10/4	Title	
THIS SHEET OF ENGINEERING DRAWING IS THE PROPRIETARY PROPERTY OF COMPAL ELECTRONICS, INC. AND CONTAINS CONFIDENTIAL AND TRADE SECRET INFORMATION. THIS SHEET MAY NOT BE TRANSFERRED FROM THE CUSTODY OF THE COMPETENT DIVISION OF R&D DEPARTMENT EXCEPT AS AUTHORIZED BY COMPAL ELECTRONICS, INC. NEITHER THIS SHEET NOR THE INFORMATION IT CONTAINS MAY BE USED BY OR DISCLOSED TO ANY THIRD PARTY WITHOUT PRIOR WRITTEN CONSENT OF COMPAL ELECTRONICS, INC.				SCHEMATIC, M/B LA-2921P	
Size	Document Number			Rev	H
B	401398				
Date:	星期四, 十月 05, 2006	Sheet	35 of 59		

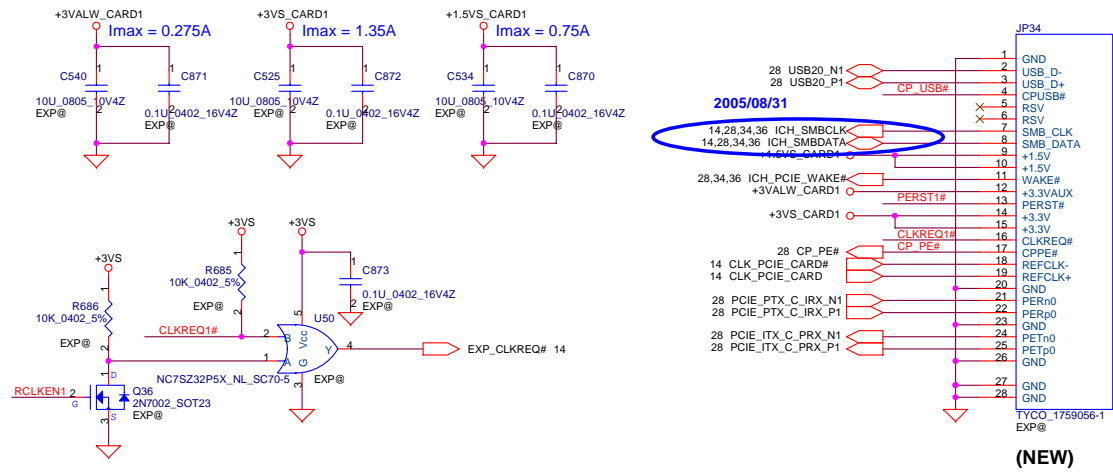


Mini Card Power Rating			
Power	Primary Power (mA)		Auxiliary Power (mA)
	Peak	Normal	Normal
+3VS	1000	750	
+3VALW	330	250	250 (wake enable)
+1.5VS	500	375	5 (Not wake enable)

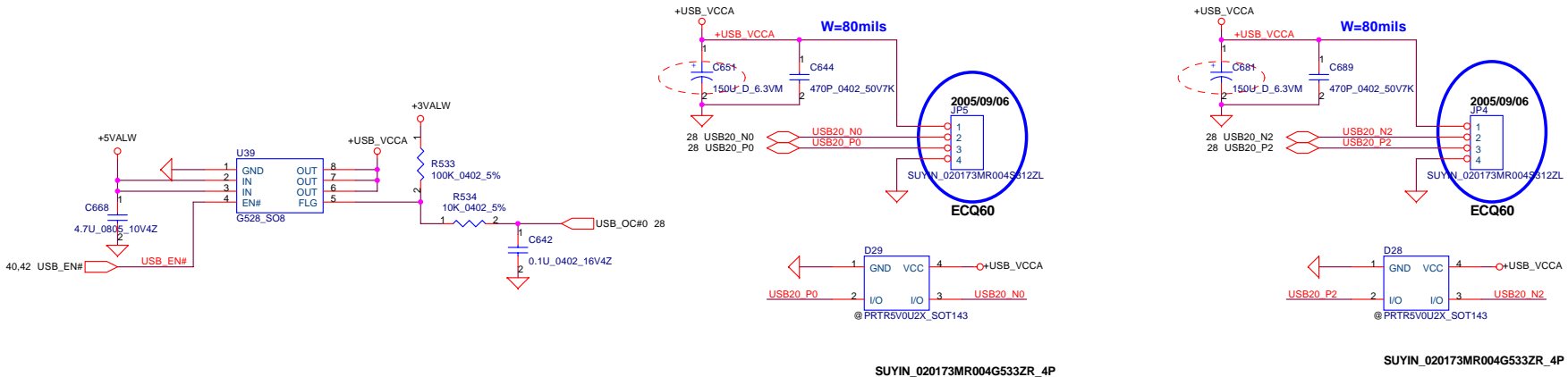
New Card Power Switch



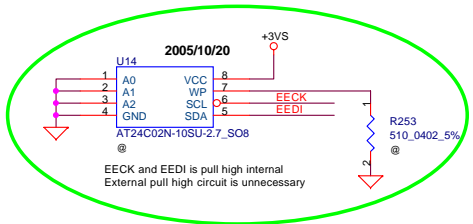
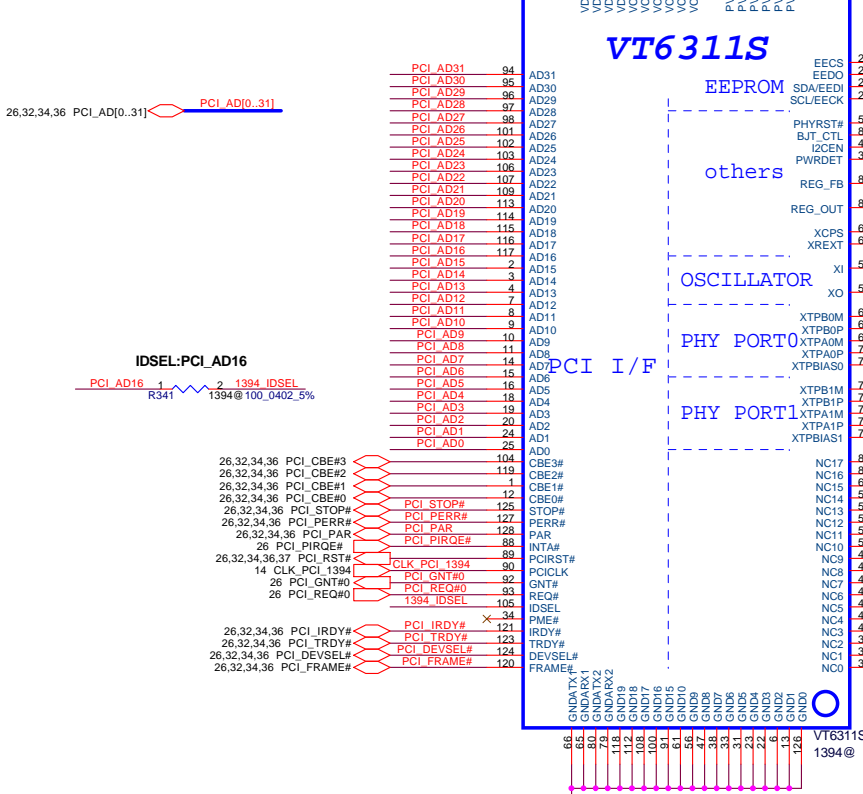
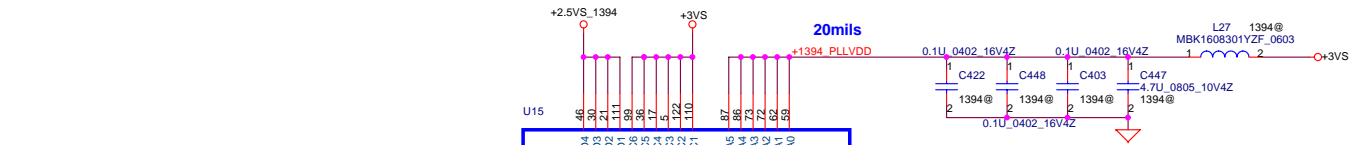
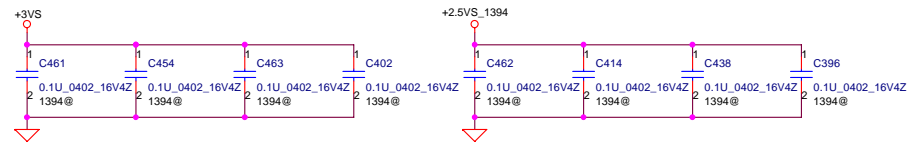
New Card Socket (Left)



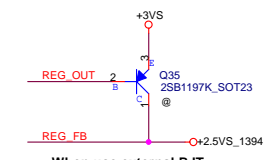
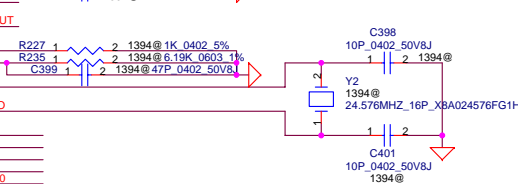
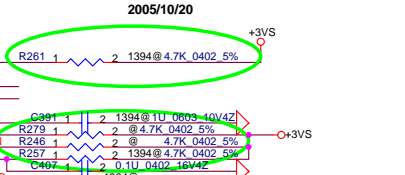
USB CONN. 1 & 2



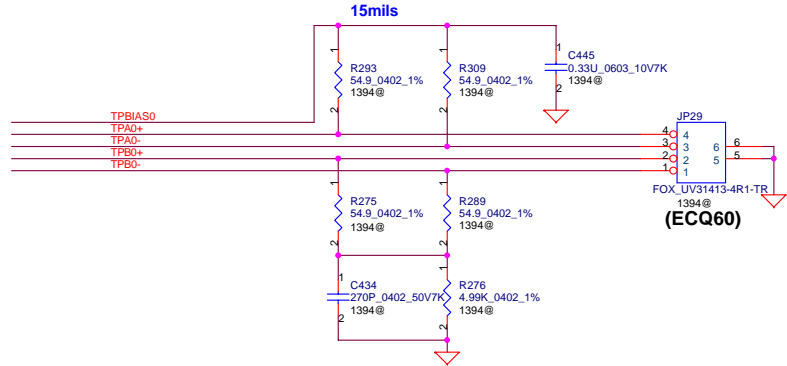
Security Classification		Compal Secret Data		Compal Electronics, Inc.	
Issued Date	2006/10/4	Deciphered Date	2007/10/4	Title	
THIS SHEET OF ENGINEERING DRAWING IS THE PROPRIETARY PROPERTY OF COMPAL ELECTRONICS, INC. AND CONTAINS CONFIDENTIAL AND TRADE SECRET INFORMATION. THIS SHEET MAY NOT BE TRANSFERRED FROM THE CUSTODY OF THE COMPETENT DIVISION OF R&D DEPARTMENT EXCEPT AS AUTHORIZED BY COMPAL ELECTRONICS, INC. NEITHER THIS SHEET NOR THE INFORMATION IT CONTAINS MAY BE USED BY OR DISCLOSED TO ANY THIRD PARTY WITHOUT PRIOR WRITTEN CONSENT OF COMPAL ELECTRONICS, INC.				SCHEMATIC, M/B LA-2921P	
Size	Document Number	Rev		Date	
B	401398	H		星期四, 十月 05, 2006	
				Sheet	37 of 59



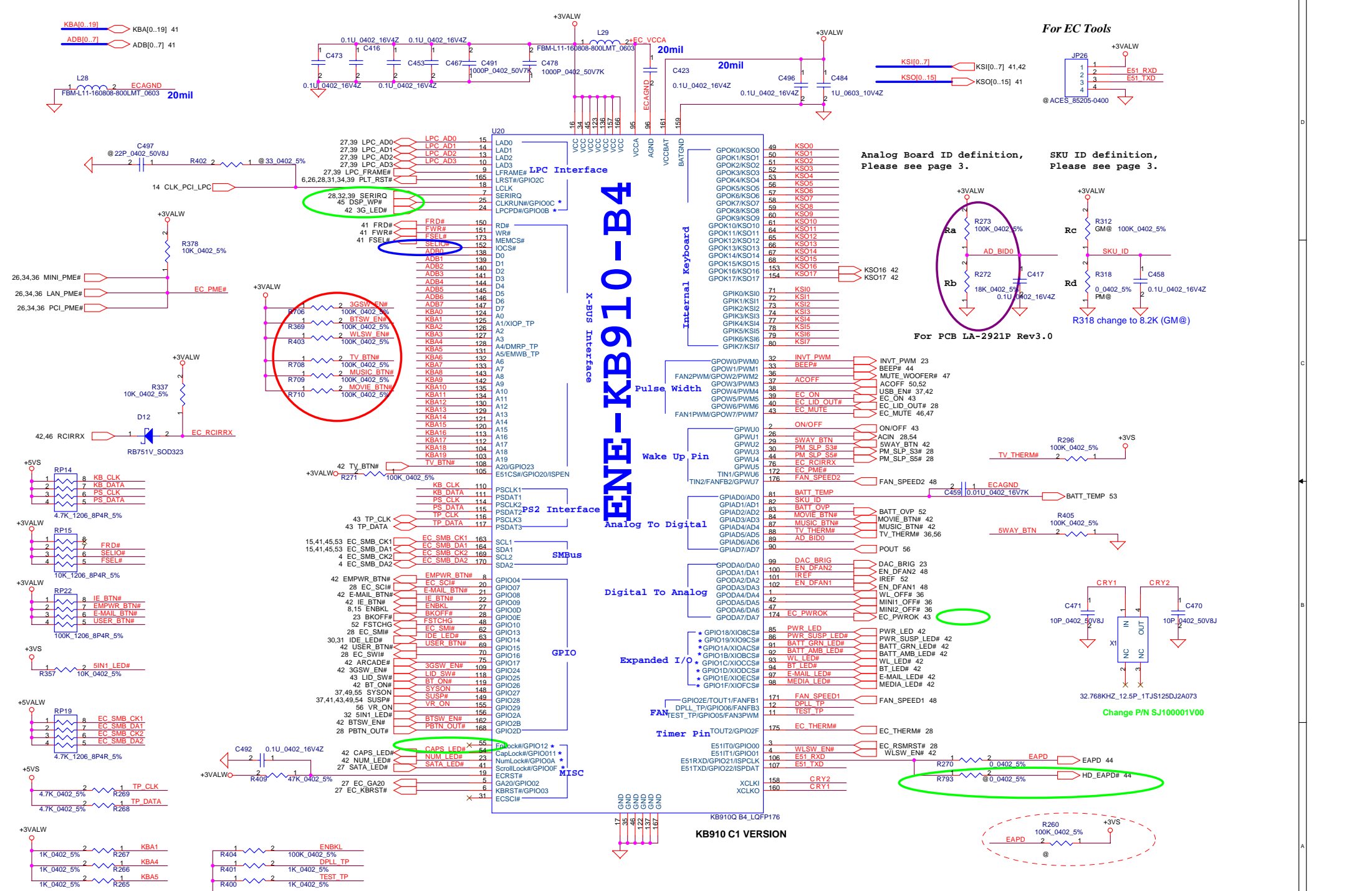
When use external EEPROM
Populate U14, R246, R253
Un-populate R261



When use external BJT
Populate Q35, R279

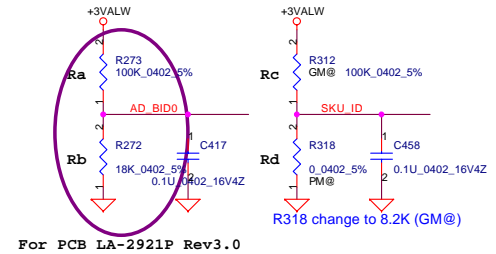


Security Classification	Compal Secret Data		Title	
Issued Date	2006/10/4	Deciphered Date	2007/10/4	Compal Electronics, Inc.
THIS SHEET OF ENGINEERING DRAWING IS THE PROPRIETARY PROPERTY OF COMPAL ELECTRONICS, INC. AND CONTAINS CONFIDENTIAL AND TRADE SECRET INFORMATION. THIS SHEET MAY NOT BE TRANSFERRED FROM THE CUSTODY OF THE COMPETENT DIVISION OF R&D DEPARTMENT EXCEPT AS AUTHORIZED BY COMPAL ELECTRONICS, INC. NEITHER THIS SHEET NOR THE INFORMATION IT CONTAINS MAY BE USED BY OR DISCLOSED TO ANY THIRD PARTY WITHOUT PRIOR WRITTEN CONSENT OF COMPAL ELECTRONICS, INC.				Size B
Document Number			Rev H	
401398			Date: 星期四, 十月 05, 2006	
Sheet 38			of 59	



Analog Board ID definition,
Please see page 3.

SKU ID definition,
Please see page 3.



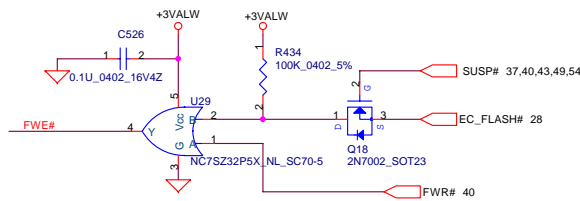
ENE-KB910-B4

X-bus Interface

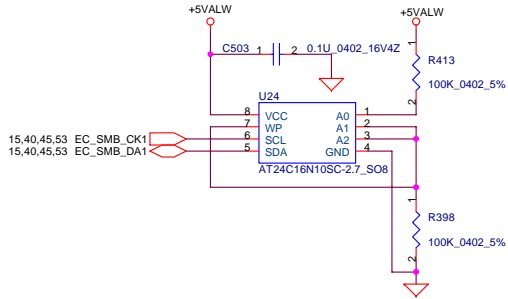
KB910 C1 VERSION

Security Classification	Compal Secret Data		
Issued Date	2006/10/4	Deciphered Date	2007/10/4
THIS SHEET OF ENGINEERING DRAWING IS THE PROPRIETARY PROPERTY OF COMPAL ELECTRONICS, INC. AND CONTAINS CONFIDENTIAL AND TRADE SECRET INFORMATION. THIS SHEET MAY NOT BE TRANSFERRED FROM THE CUSTODY OF THE COMPETENT DIVISION OF R&D DEPARTMENT EXCEPT AS AUTHORIZED BY COMPAL ELECTRONICS, INC. NEITHER THIS SHEET NOR THE INFORMATION IT CONTAINS MAY BE USED BY OR DISCLOSED TO ANY THIRD PARTY WITHOUT PRIOR WRITTEN CONSENT OF COMPAL ELECTRONICS, INC.			

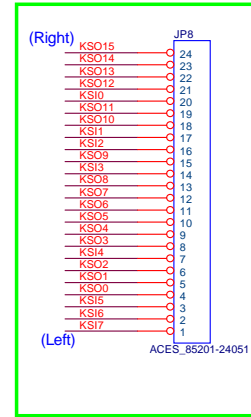
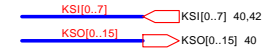
Compal Electronics, Inc.			
SCHEMATIC, M/B LA-2921P			
Size	Document Number	Rev	
B	401398	H	
Date:	星期四, 十月 05, 2006	Sheet	40 of 59



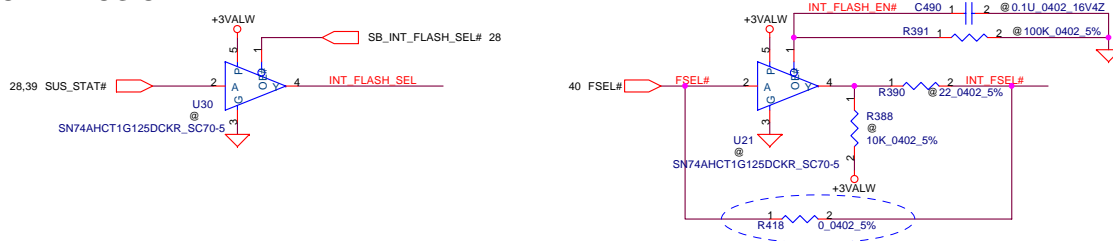
Check PCB Footprint



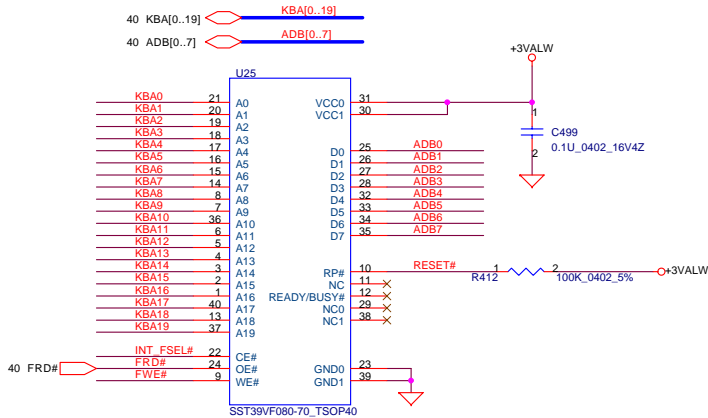
INT_KBD Conn.



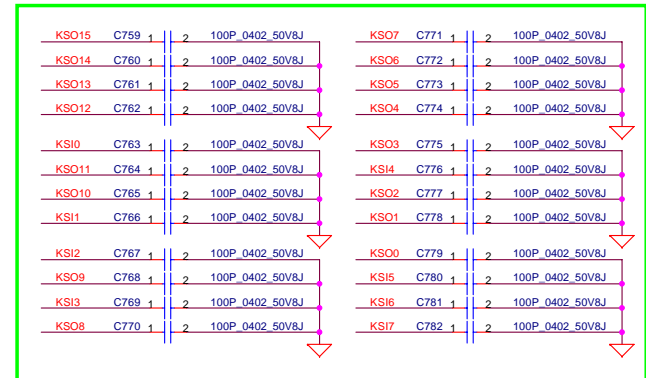
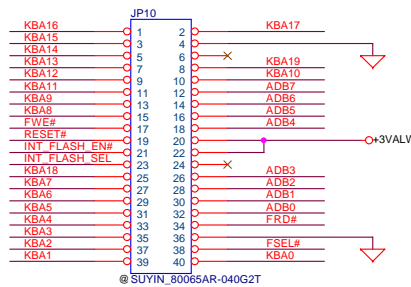
FOR DEBUG ONLY



1MB Flash ROM

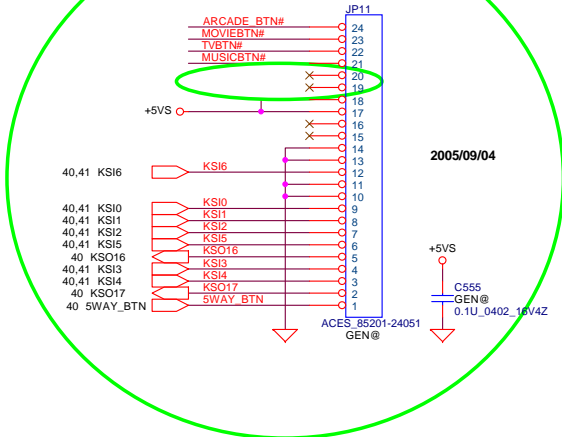


1MB ROM Socket

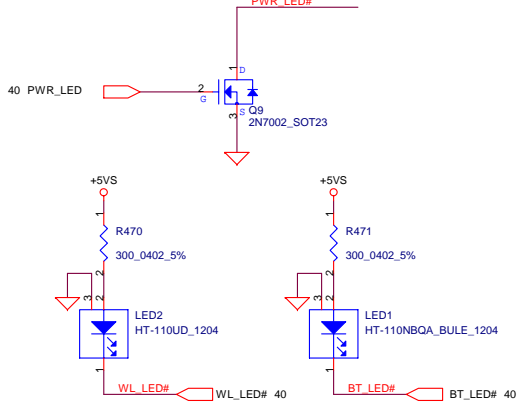
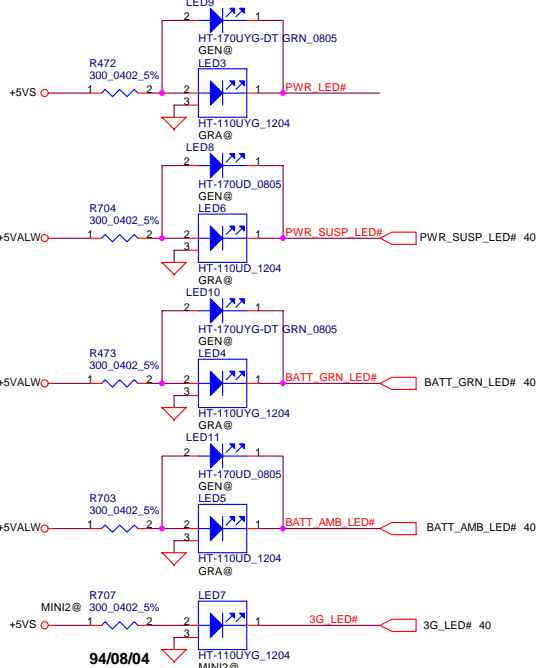
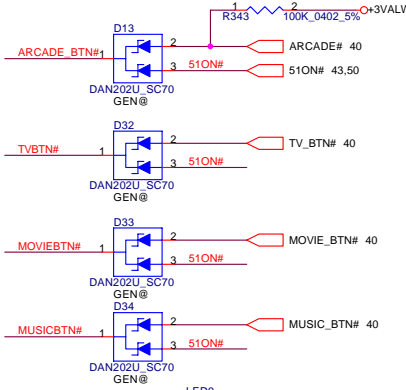


Security Classification		Compal Secret Data		Compal Electronics, Inc.	
Issued Date	2006/10/4	Deciphered Date	2007/10/4	Title	
THIS SHEET OF ENGINEERING DRAWING IS THE PROPRIETARY PROPERTY OF COMPAL ELECTRONICS, INC. AND CONTAINS CONFIDENTIAL AND TRADE SECRET INFORMATION. THIS SHEET MAY NOT BE TRANSFERRED FROM THE CUSTODY OF THE COMPETENT DIVISION OF R&D DEPARTMENT EXCEPT AS AUTHORIZED BY COMPAL ELECTRONICS, INC. NEITHER THIS SHEET NOR THE INFORMATION IT CONTAINS MAY BE USED BY OR DISCLOSED TO ANY THIRD PARTY WITHOUT PRIOR WRITTEN CONSENT OF COMPAL ELECTRONICS, INC.				SCHEMATIC, M/B LA-2921P	
Size	Document Number	Rev		H	
B	401398				
Date:	星期四, 十月 05, 2006	Sheet	41	of	59

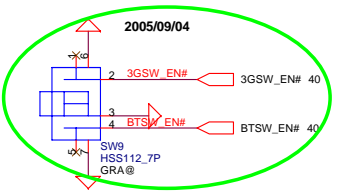
To CD-PLAY/B Conn.



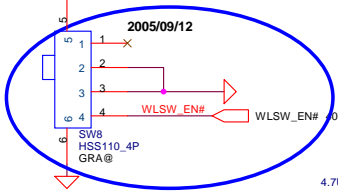
2005/09/04



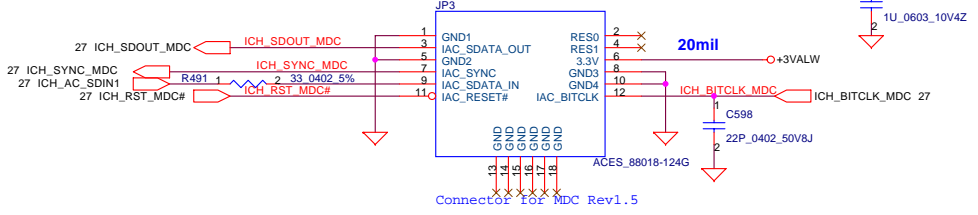
BT_SW & 3G_SW



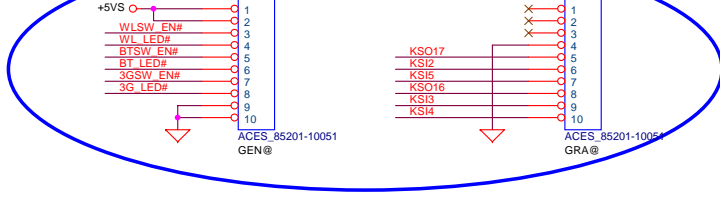
WL_SW



MDC Conn.

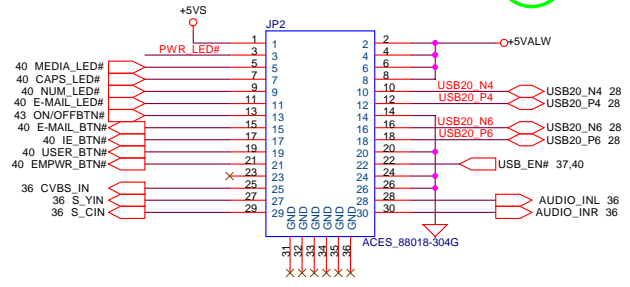


To LED/B Conn.

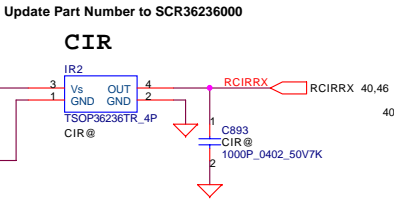


Delete C7

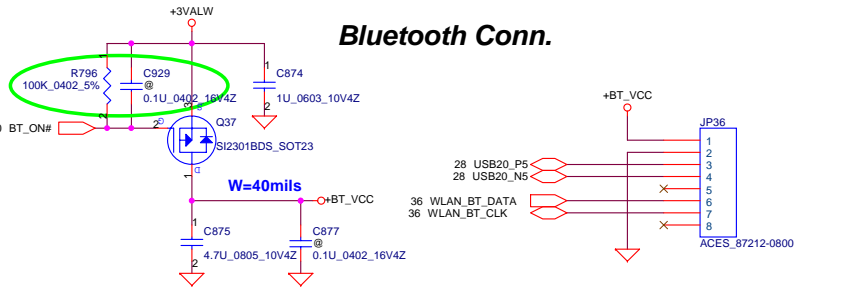
To LED/B Conn.



94/08/04

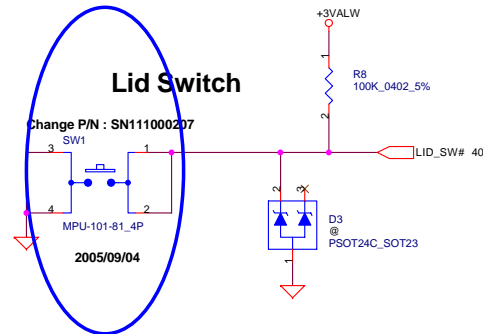
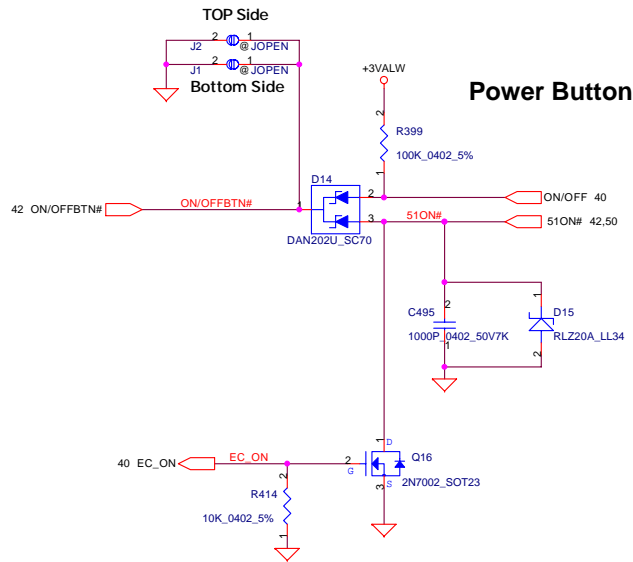


Bluetooth Conn.



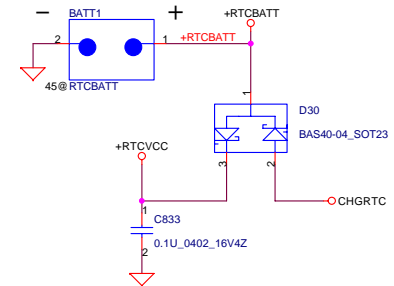
Geneva		Grapevine	
KSO10	VOL_UP	KSO16	
KSO11	RIGHT	KSO17	
KSO12	PLAY	KSI2	PLAY
KSO13	STOP	KSI3	STOP
KSO14	NEXT	KSI4	NEXT
KSO15	REV	KSI5	REV
KSO16			ARCADE_TV
KSO17	LEFT		
	VOL_DOWN		
	ENTER		
	RECORD		

ON/OFF switch

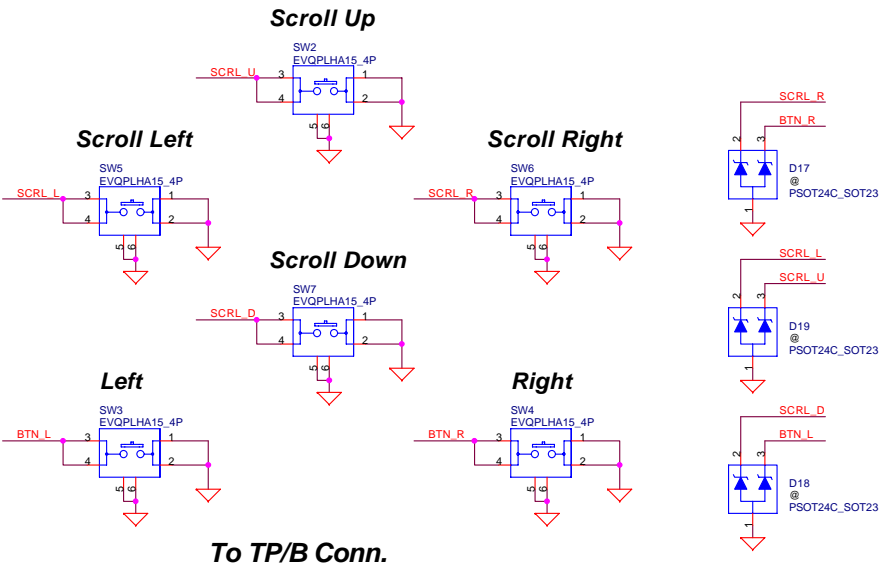
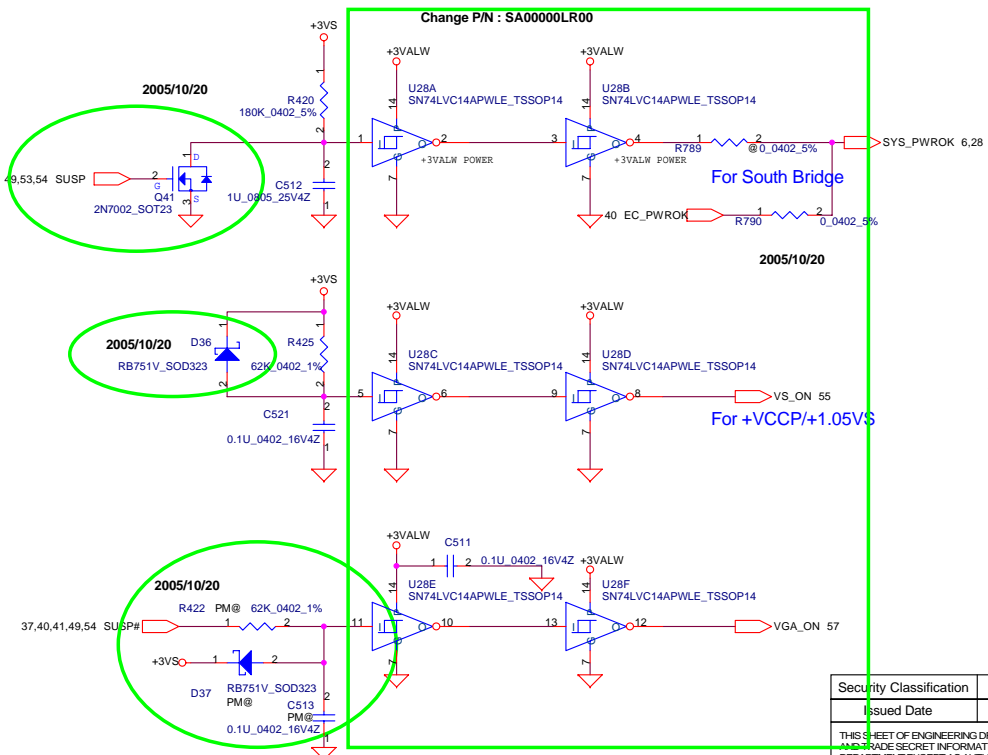


Change BATT1 P/N : SP093PA0200 (Panasonic)
SP093MX0000 (MAXELL)

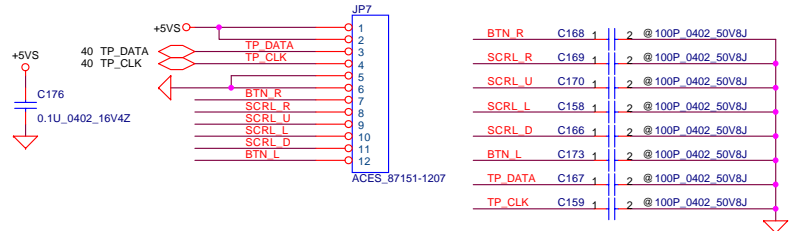
RTC Battery



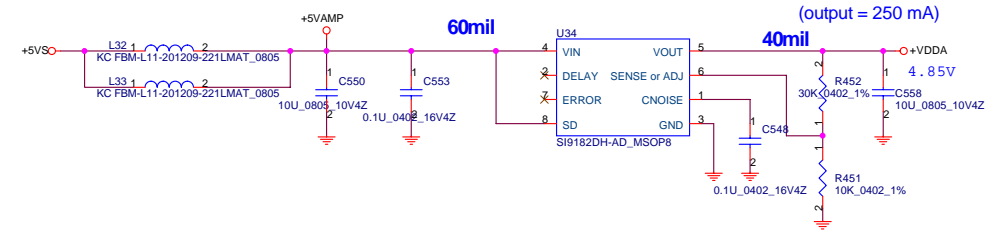
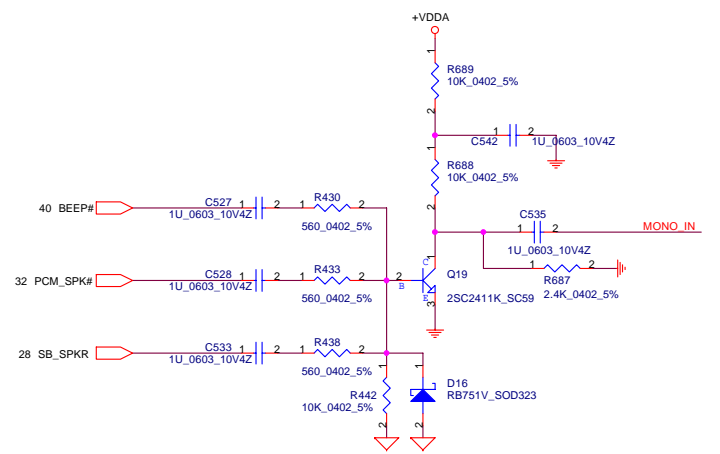
Power ON Circuit



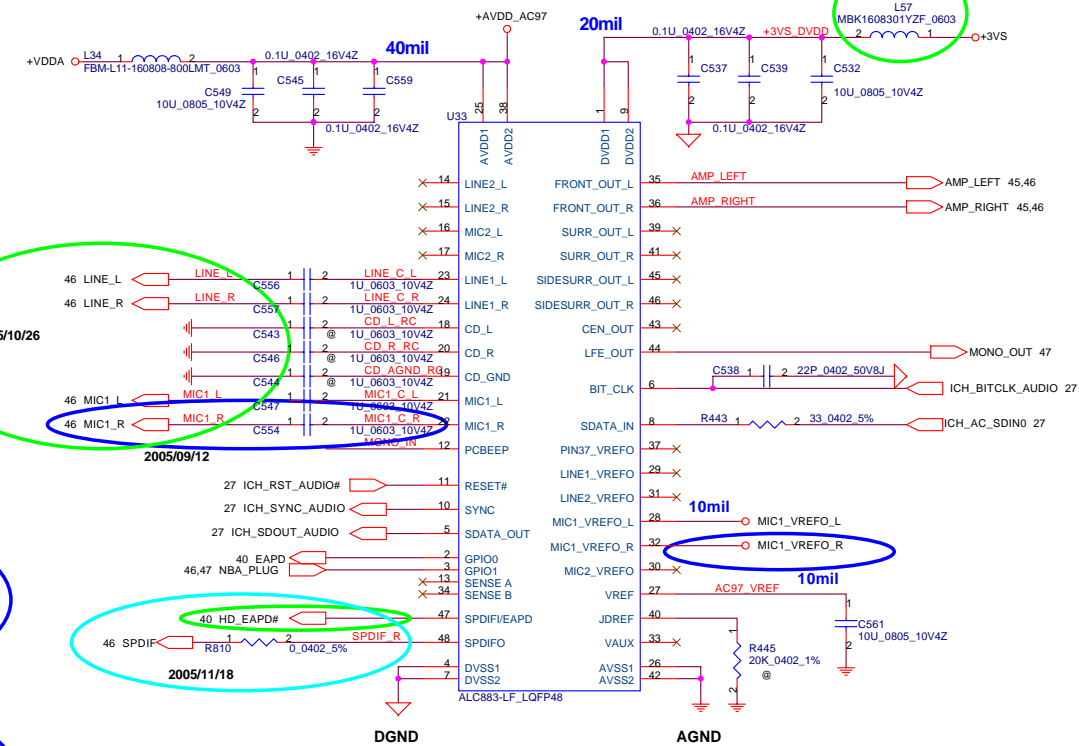
To TP/B Conn.



Security Classification		Compal Secret Data		Compal Electronics, Inc.	
Issued Date	2006/10/4	Deciphered Date	2007/10/4	Title	
THIS SHEET OF ENGINEERING DRAWING IS THE PROPRIETARY PROPERTY OF COMPAL ELECTRONICS, INC. AND CONTAINS CONFIDENTIAL AND TRADE SECRET INFORMATION. THIS SHEET MAY NOT BE TRANSFERRED FROM THE CUSTODY OF THE COMPETENT DIVISION OF R&D DEPARTMENT EXCEPT AS AUTHORIZED BY COMPAL ELECTRONICS, INC. NEITHER THIS SHEET NOR THE INFORMATION IT CONTAINS MAY BE USED BY OR DISCLOSED TO ANY THIRD PARTY WITHOUT PRIOR WRITTEN CONSENT OF COMPAL ELECTRONICS, INC.				SCHEMATIC, M/B LA-2921P	
Size	Document Number	Date		Sheet	Rev
B	401398	星期四, 十月 05, 2006		43 of 59	H



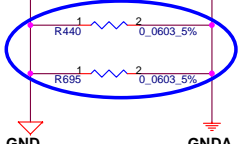
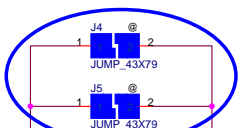
HD Audio Codec



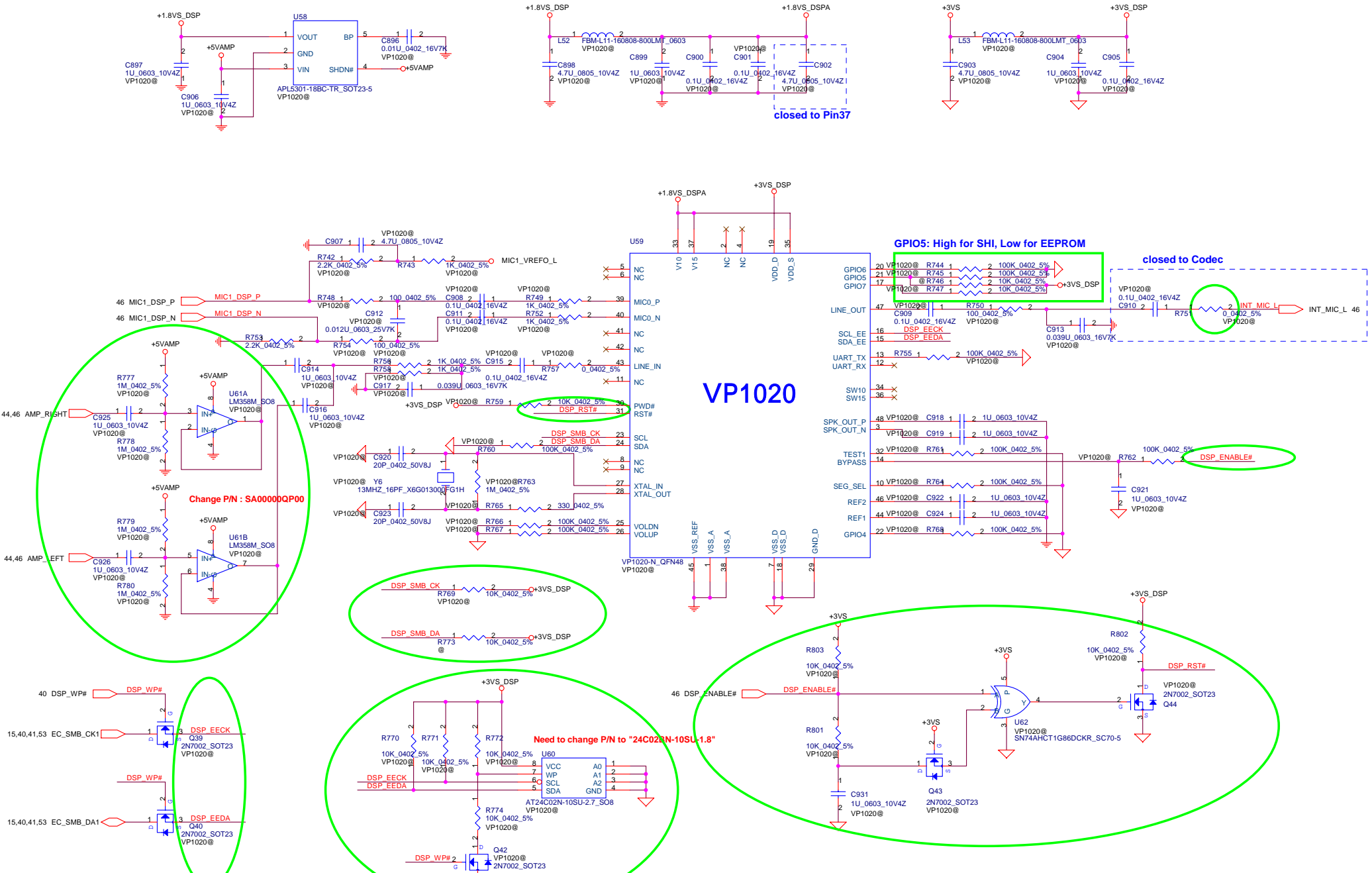
2005/10/26

2005/09/12

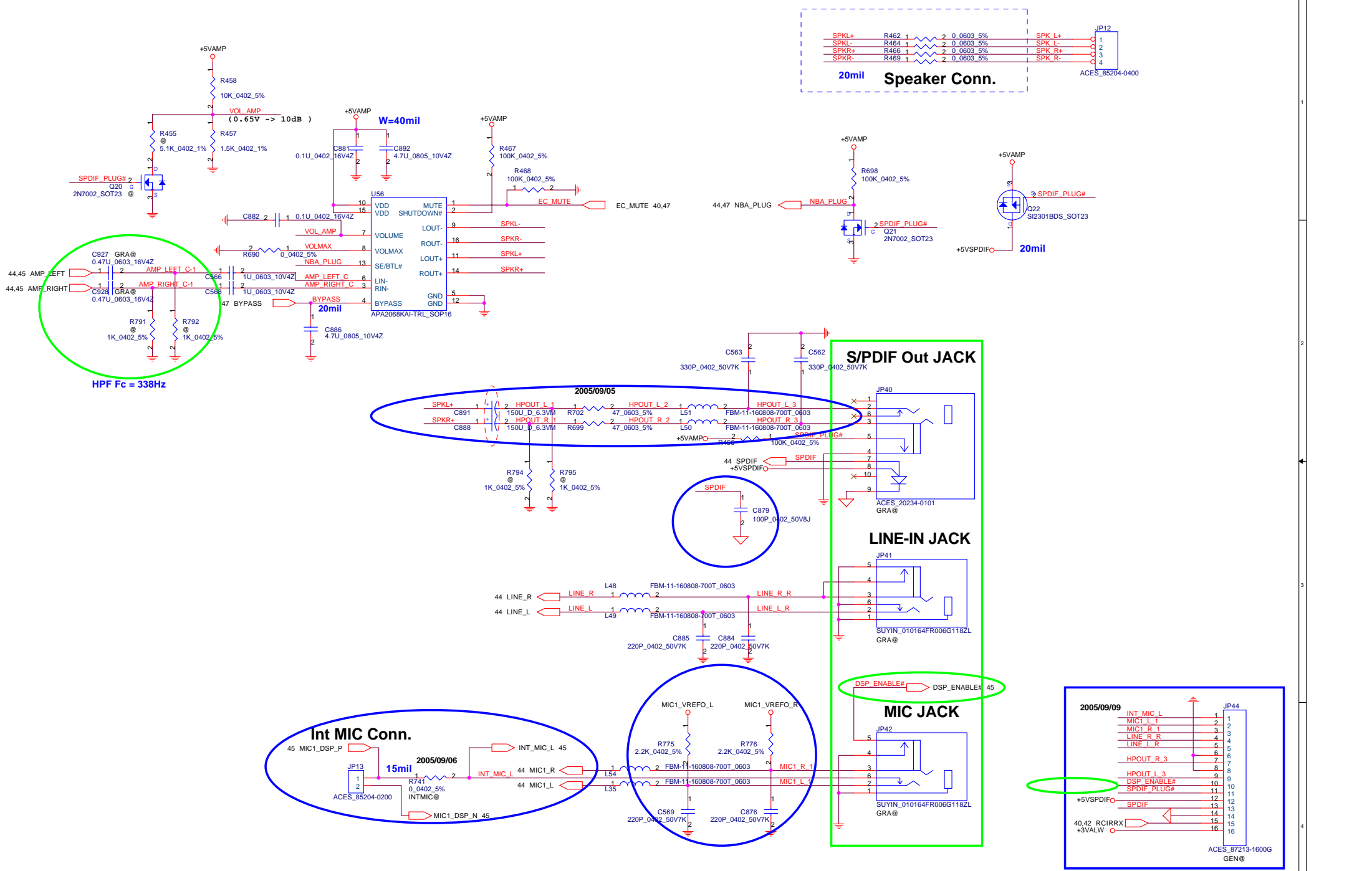
2005/11/18



Security Classification	Compal Secret Data		Title	
Issued Date	2006/10/4	Deciphered Date	2007/10/4	SCHEMATIC, M/B LA-2921P
THIS SHEET OF ENGINEERING DRAWING IS THE PROPRIETARY PROPERTY OF COMPAL ELECTRONICS, INC. AND CONTAINS CONFIDENTIAL AND TRADE SECRET INFORMATION. THIS SHEET MAY NOT BE TRANSFERRED FROM THE CUSTODY OF THE COMPETENT DIVISION OF R&D DEPARTMENT EXCEPT AS AUTHORIZED BY COMPAL ELECTRONICS, INC. NEITHER THIS SHEET NOR THE INFORMATION IT CONTAINS MAY BE USED BY OR DISCLOSED TO ANY THIRD PARTY WITHOUT PRIOR WRITTEN CONSENT OF COMPAL ELECTRONICS, INC.				
Size B	Document Number	Date		Rev H
	401398	Date: 星期四, 十月 05, 2006		Sheet 44 of 59



Security Classification		Compal Secret Data		Title		
Issued Date	2006/10/4	Deciphered Date	2007/10/4	Compal Electronics, Inc.		
				SCHEMATIC, M/B LA-2921P		
THIS SHEET OF ENGINEERING DRAWING IS THE PROPRIETARY PROPERTY OF COMPAL ELECTRONICS, INC. AND CONTAINS CONFIDENTIAL AND TRADE SECRET INFORMATION. THIS SHEET MAY NOT BE TRANSFERRED FROM THE CUSTODY OF THE COMPETENT DIVISION OF R&D DEPARTMENT EXCEPT AS AUTHORIZED BY COMPAL ELECTRONICS, INC. NEITHER THIS SHEET NOR THE INFORMATION IT CONTAINS MAY BE USED BY OR DISCLOSED TO ANY THIRD PARTY WITHOUT PRIOR WRITTEN CONSENT OF COMPAL ELECTRONICS, INC.				Size	Document Number	Rev
				B	401398	H
				Date:	星期四, 十月 05, 2006	Sheet 45 of 59

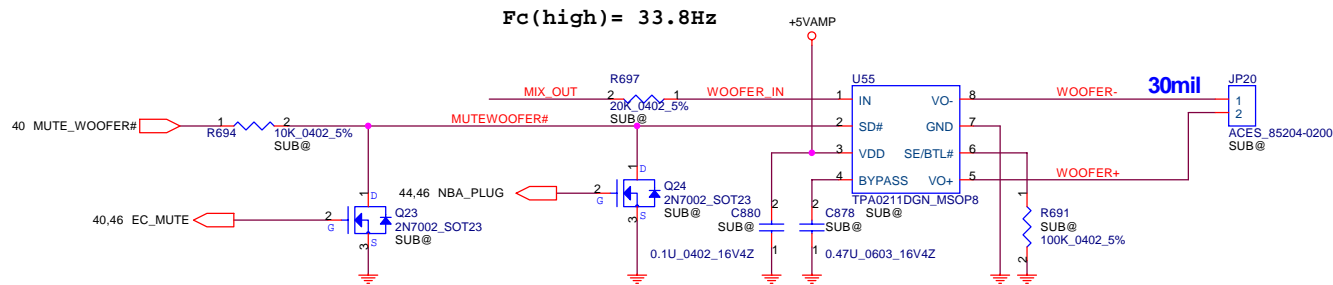
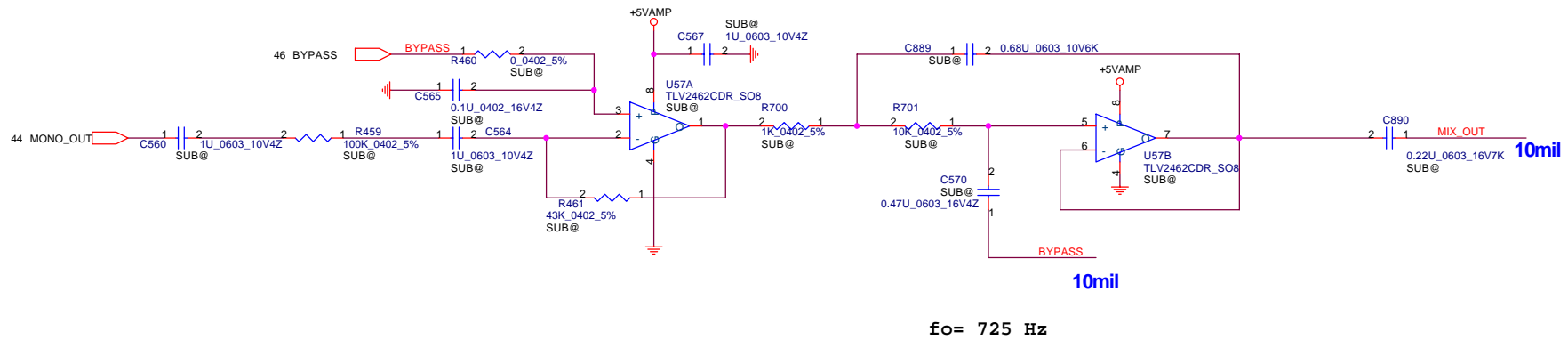


Security Classification	Compal Secret Data	
Issued Date	2006/10/4	Deciphered Date
		2007/10/4

Compal Electronics, Inc.		
Title		
SCHEMATIC, M/B LA-2921P		
Size	Document Number	Rev
B	401398	H

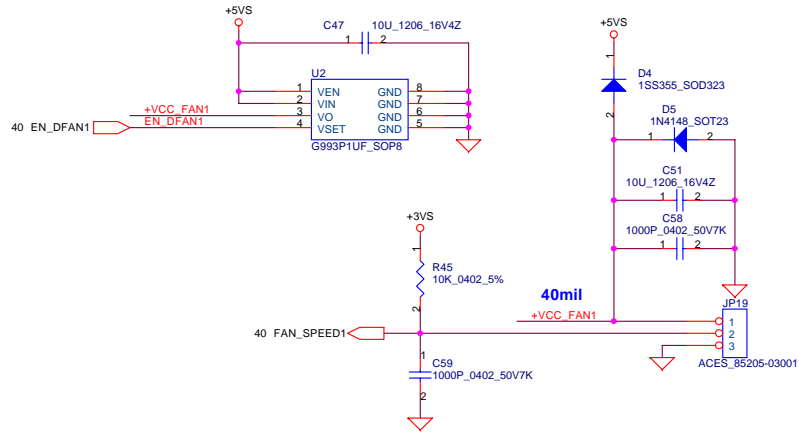
THIS SHEET OF ENGINEERING DRAWING IS THE PROPRIETARY PROPERTY OF COMPAL ELECTRONICS, INC. AND CONTAINS CONFIDENTIAL AND TRADE SECRET INFORMATION. THIS SHEET MAY NOT BE TRANSFERRED FROM THE CUSTODY OF THE COMPETENT DIVISION OF R&D DEPARTMENT EXCEPT AS AUTHORIZED BY COMPAL ELECTRONICS, INC. NEITHER THIS SHEET NOR THE INFORMATION IT CONTAINS MAY BE USED BY OR DISCLOSED TO ANY THIRD PARTY WITHOUT PRIOR WRITTEN CONSENT OF COMPAL ELECTRONICS, INC.

Date:	星期四, 十月 05, 2006	Sheet	46	of	59
-------	------------------	-------	----	----	----



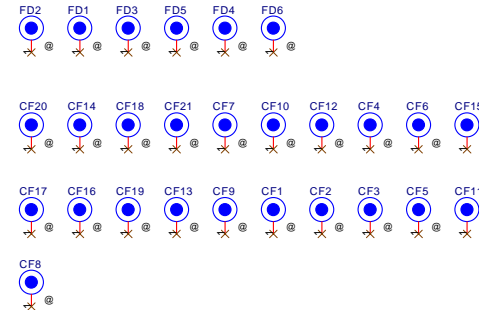
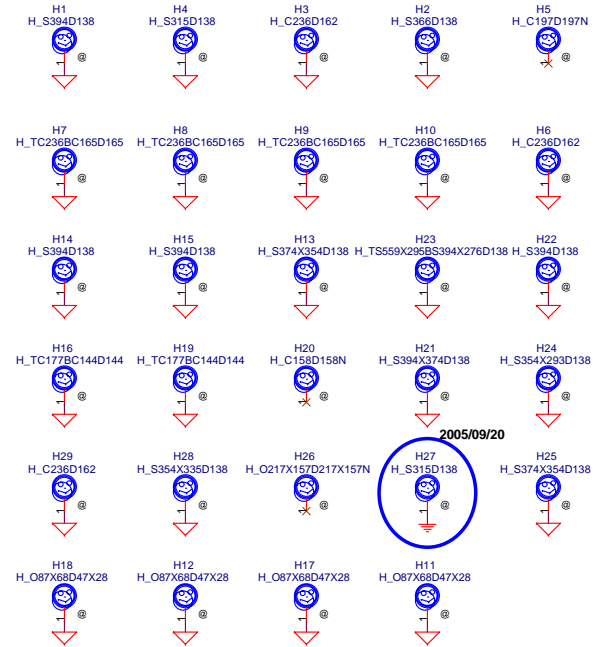
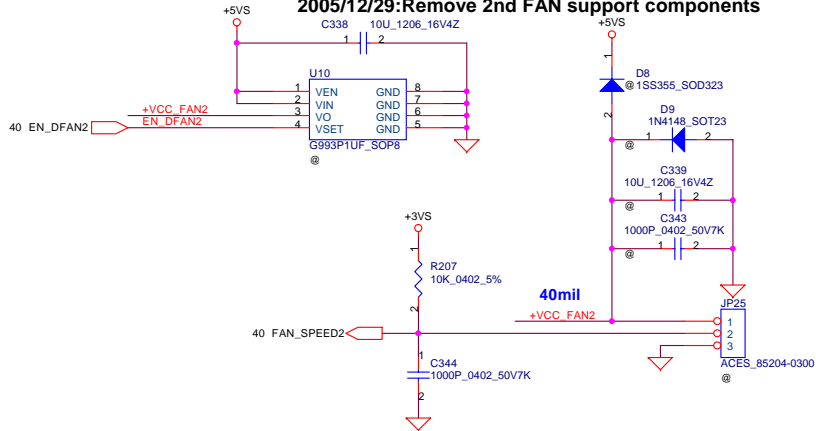
Security Classification		Compal Secret Data		Compal Electronics, Inc.	
Issued Date		2006/10/4	Deciphered Date		2007/10/4
THIS SHEET OF ENGINEERING DRAWING IS THE PROPRIETARY PROPERTY OF COMPAL ELECTRONICS, INC. AND CONTAINS CONFIDENTIAL AND TRADE SECRET INFORMATION. THIS SHEET MAY NOT BE TRANSFERRED FROM THE CUSTODY OF THE COMPETENT DIVISION OF R&D DEPARTMENT EXCEPT AS AUTHORIZED BY COMPAL ELECTRONICS, INC. NEITHER THIS SHEET NOR THE INFORMATION IT CONTAINS MAY BE USED BY OR DISCLOSED TO ANY THIRD PARTY WITHOUT PRIOR WRITTEN CONSENT OF COMPAL ELECTRONICS, INC.					
Size	Document Number				Rev
B	401398				H
Date:	星期四, 十月 05, 2006		Sheet	47	of 59

FAN1 Conn

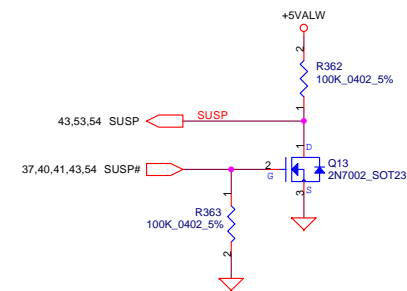
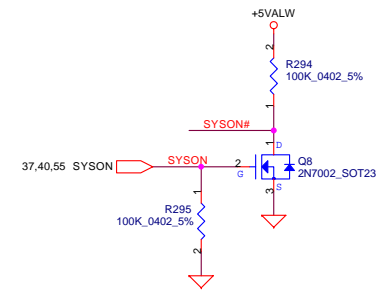
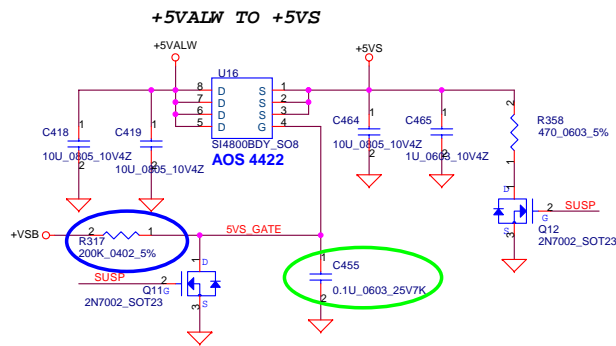


FAN2 Conn

2005/12/29: Remove 2nd FAN support components

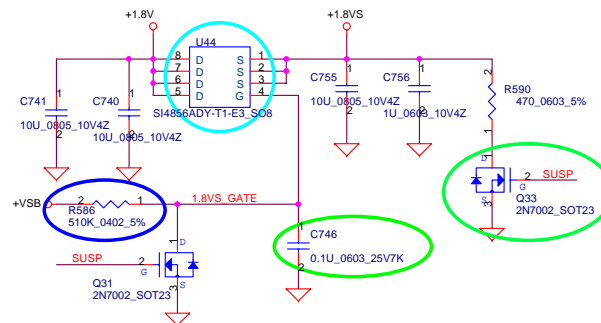


Security Classification	Compal Secret Data		Compal Electronics, Inc.	
Issued Date	2006/10/4	Deciphered Date	2007/10/4	Title
THIS SHEET OF ENGINEERING DRAWING IS THE PROPRIETARY PROPERTY OF COMPAL ELECTRONICS, INC. AND CONTAINS CONFIDENTIAL AND TRADE SECRET INFORMATION. THIS SHEET MAY NOT BE TRANSFERRED FROM THE CUSTODY OF THE COMPETENT DIVISION OF R&D DEPARTMENT EXCEPT AS AUTHORIZED BY COMPAL ELECTRONICS, INC. NEITHER THIS SHEET NOR THE INFORMATION IT CONTAINS MAY BE USED BY OR DISCLOSED TO ANY THIRD PARTY WITHOUT PRIOR WRITTEN CONSENT OF COMPAL ELECTRONICS, INC.				Document Number
				401398
Date:	星期四, 十月 05, 2006	Sheet	48 of 59	Rev H

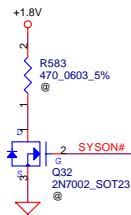
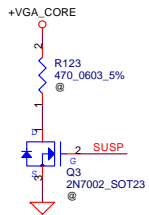
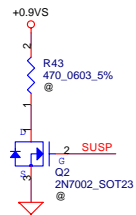
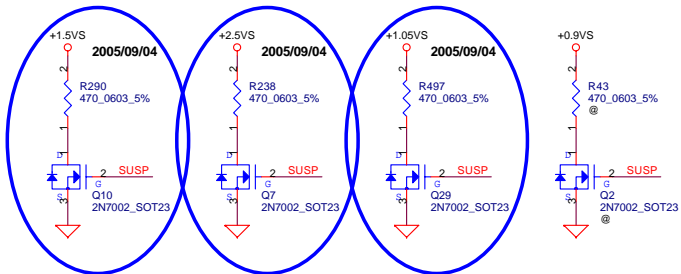
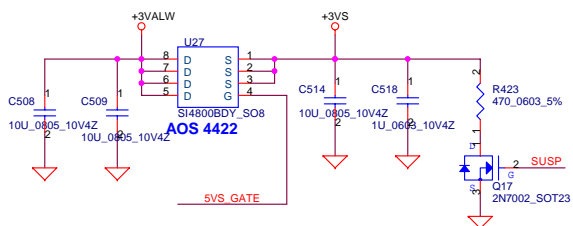


2005/12/18
Change P/N : SB000001Y00(New) SI4856ADY
SB548000310(Old)

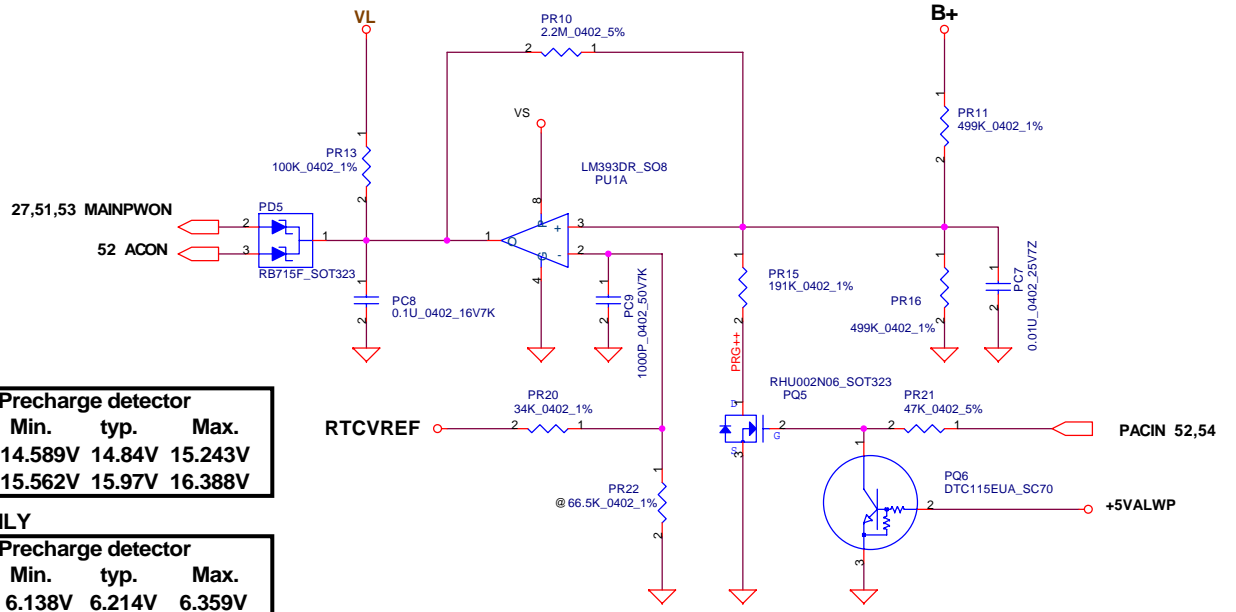
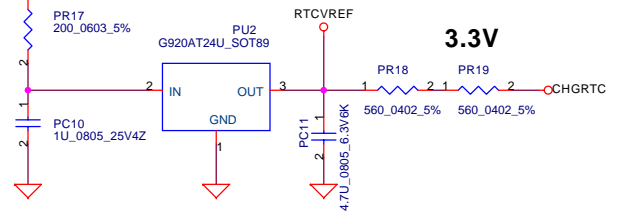
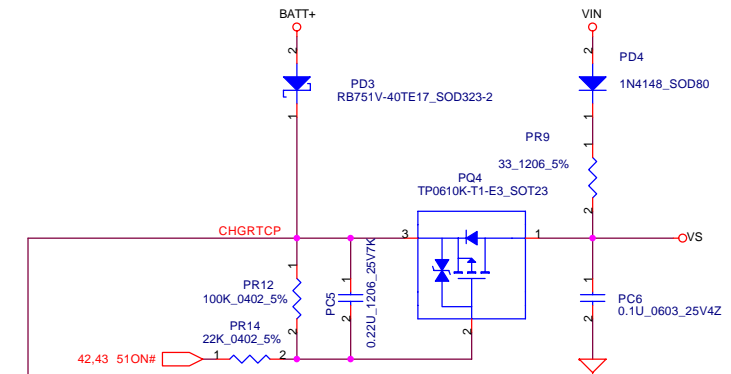
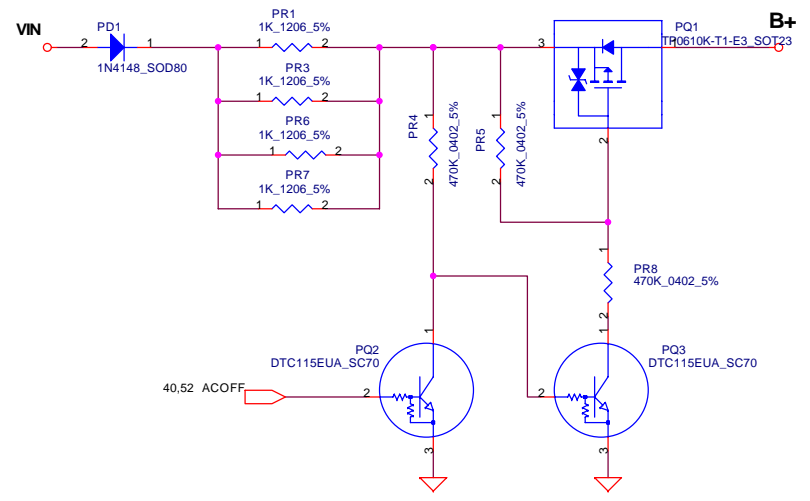
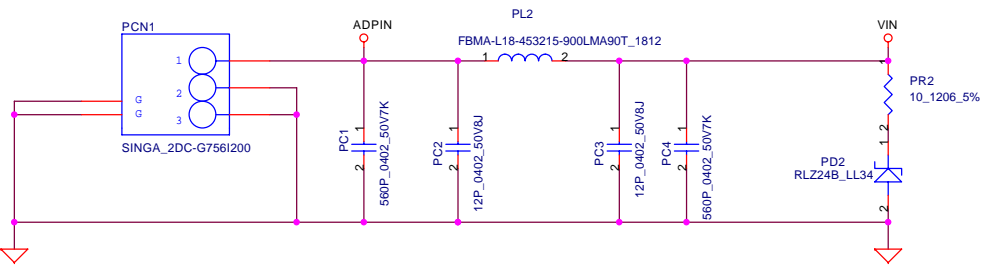
+1.8V to +1.8VS



+3VALW TO +3VS



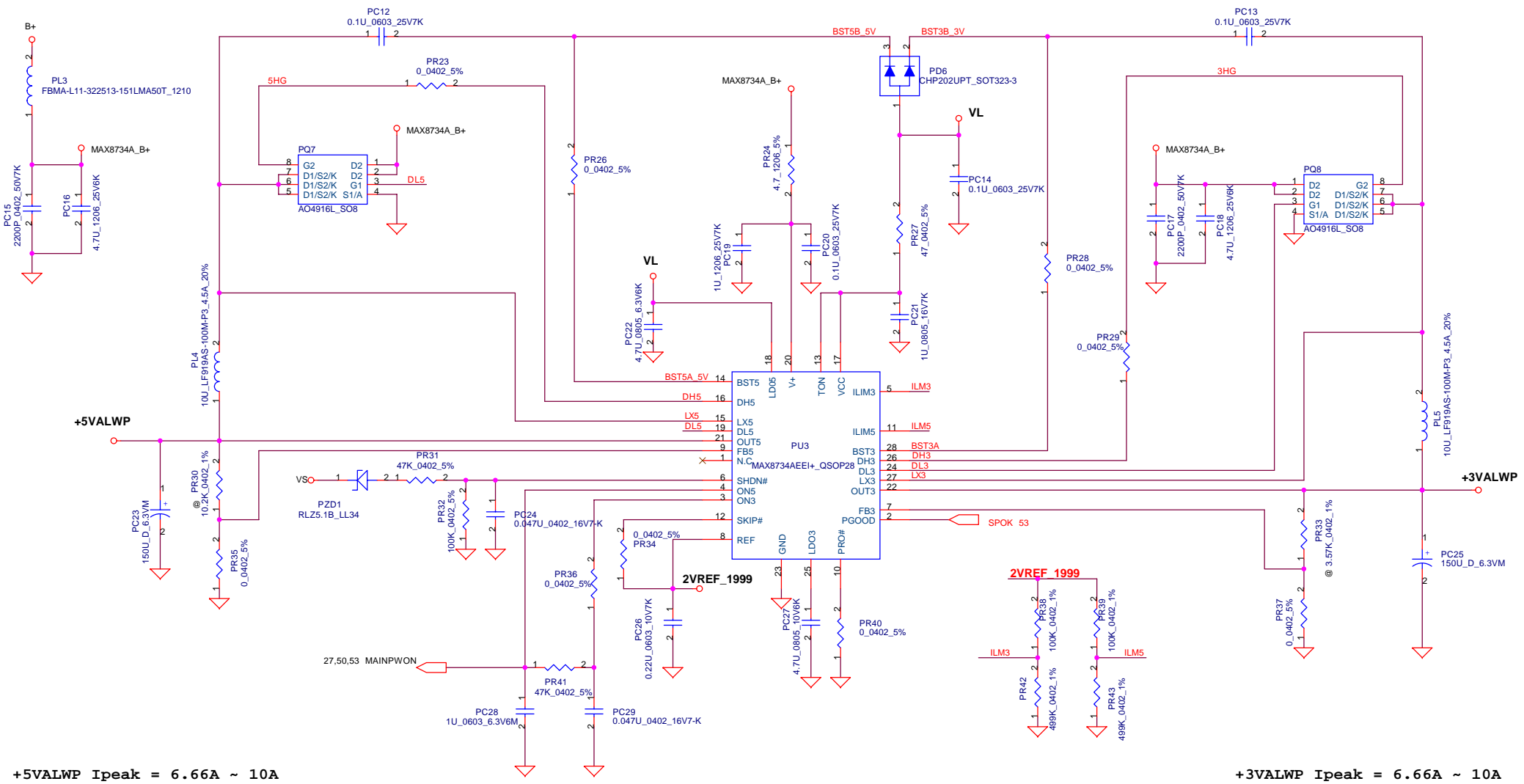
Security Classification	Compal Secret Data		Compal Electronics, Inc.	
Issued Date	2006/10/4	Deciphered Date	2007/10/4	Title
THIS SHEET OF ENGINEERING DRAWING IS THE PROPRIETARY PROPERTY OF COMPAL ELECTRONICS, INC. AND CONTAINS CONFIDENTIAL AND TRADE SECRET INFORMATION. THIS SHEET MAY NOT BE TRANSFERRED FROM THE CUSTODY OF THE COMPETENT DIVISION OF R&D DEPARTMENT EXCEPT AS AUTHORIZED BY COMPAL ELECTRONICS, INC. NEITHER THIS SHEET NOR THE INFORMATION IT CONTAINS MAY BE USED BY OR DISCLOSED TO ANY THIRD PARTY WITHOUT PRIOR WRITTEN CONSENT OF COMPAL ELECTRONICS, INC.				SCHMATIC, M/B LA-2921P
Size B	Document Number	Rev H	Date: 星期四, 十月 05, 2006 Sheet 49 of 59	
	401398			



ACIN			
Precharge detector			
	Min.	typ.	Max.
H->L	14.589V	14.84V	15.243V
L->H	15.562V	15.97V	16.388V

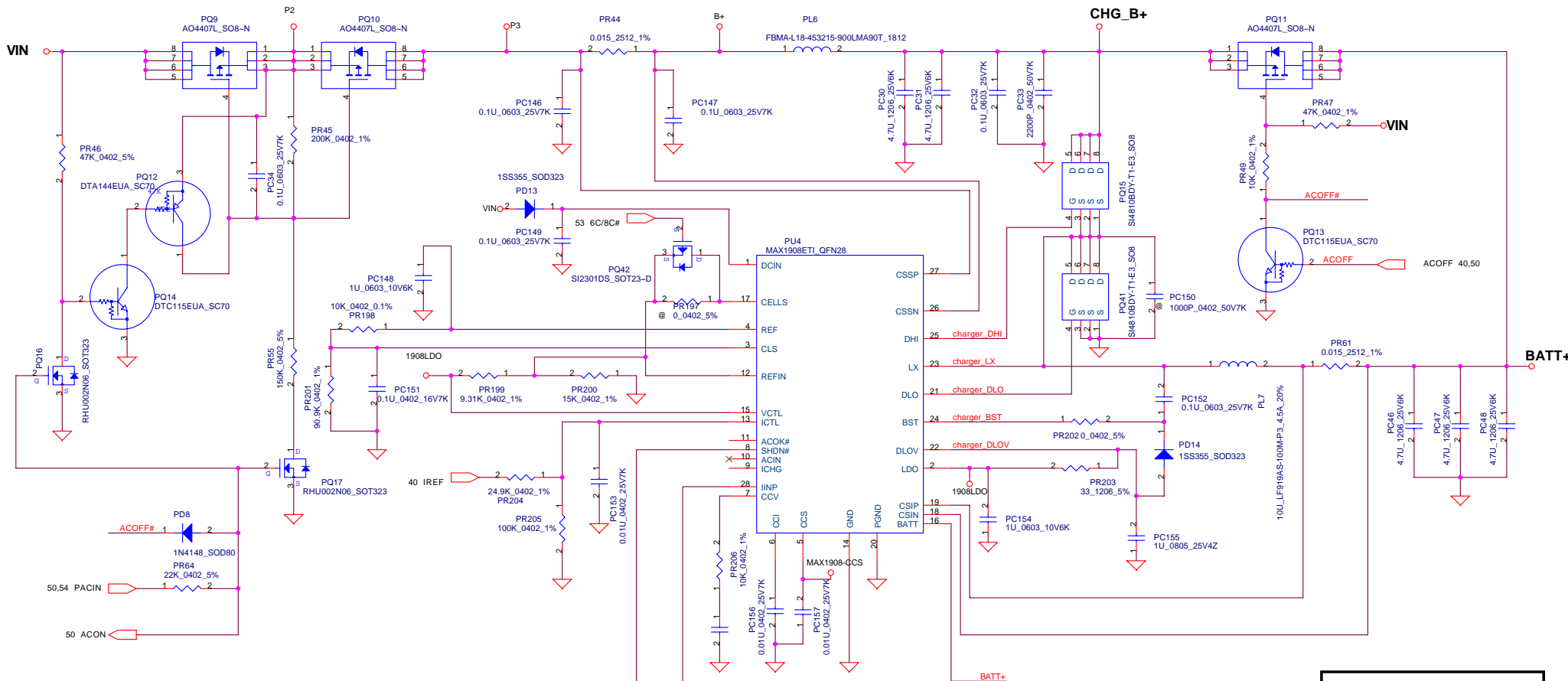
BATT ONLY			
Precharge detector			
	Min.	typ.	Max.
H->L	6.138V	6.214V	6.359V
L->H	7.196V	7.349V	7.505V

Security Classification	Compal Secret Data		Compal Electronics, Inc.	
Issued Date	2006/10/4	Deciphered Date	2007/10/4	Title
THIS SHEET OF ENGINEERING DRAWING IS THE PROPRIETARY PROPERTY OF COMPAL ELECTRONICS, INC. AND CONTAINS CONFIDENTIAL AND TRADE SECRET INFORMATION. THIS SHEET MAY NOT BE TRANSFERRED FROM THE CUSTODY OF THE COMPETENT DIVISION OF R&D DEPARTMENT EXCEPT AS AUTHORIZED BY COMPAL ELECTRONICS, INC. NEITHER THIS SHEET NOR THE INFORMATION IT CONTAINS MAY BE USED BY OR DISCLOSED TO ANY THIRD PARTY WITHOUT PRIOR WRITTEN CONSENT OF COMPAL ELECTRONICS, INC.				SCHMATIC, M/B LA-2921P Size B Document Number 401398 Date: 星期四, 十月 05, 2006 Sheet 50 of 59



Security Classification		Compal Secret Data		Compal Electronics, Inc.		
Issued Date	2006/10/4	Deciphered Date	2007/10/4	Title		
THIS SHEET OF ENGINEERING DRAWING IS THE PROPRIETARY PROPERTY OF COMPAL ELECTRONICS, INC. AND CONTAINS CONFIDENTIAL AND TRADE SECRET INFORMATION. THIS SHEET MAY NOT BE TRANSFERRED FROM THE CUSTODY OF THE COMPETENT DIVISION OF R&D DEPARTMENT EXCEPT AS AUTHORIZED BY COMPAL ELECTRONICS, INC. NEITHER THIS SHEET NOR THE INFORMATION IT CONTAINS MAY BE USED BY OR DISCLOSED TO ANY THIRD PARTY WITHOUT PRIOR WRITTEN CONSENT OF COMPAL ELECTRONICS, INC.				Schematic, M/B LA-2921P		Rev
Size	Document Number	401398		Sheet	51	of
Custom				of	59	
Date:	星期四, 十月 05, 2006		Sheet	51	of	59

I_{adp}=0~4.74A(90W)



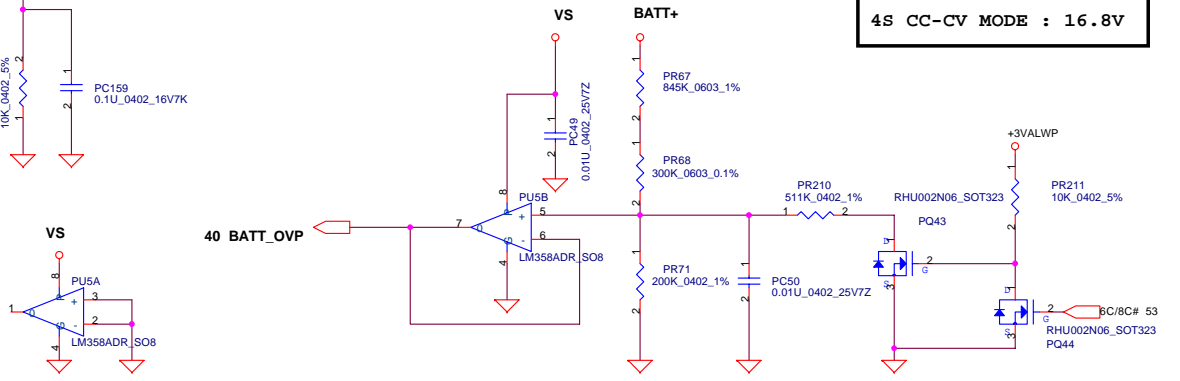
Charge voltage
4S CC-CV MODE : 16.8V

LI-4S : 17.8V--BATT-OVP=1.9758V
BATT-OVP=0.111*BATT+

IREF=0.832*Icharge
IREF=0.73~3.3V

2P4S: 4800mAh/cell
0.8C=3.84A

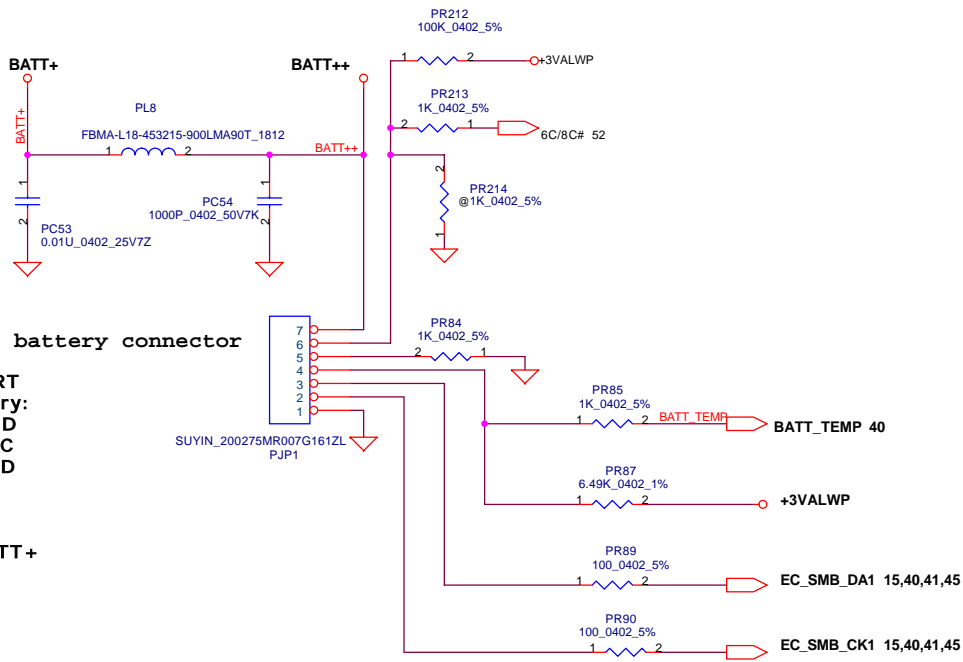
OVP voltage :
LI-3S : 17.8V---BATT-OVP=1.9758V
BATT-OVP=0.111*BATT+



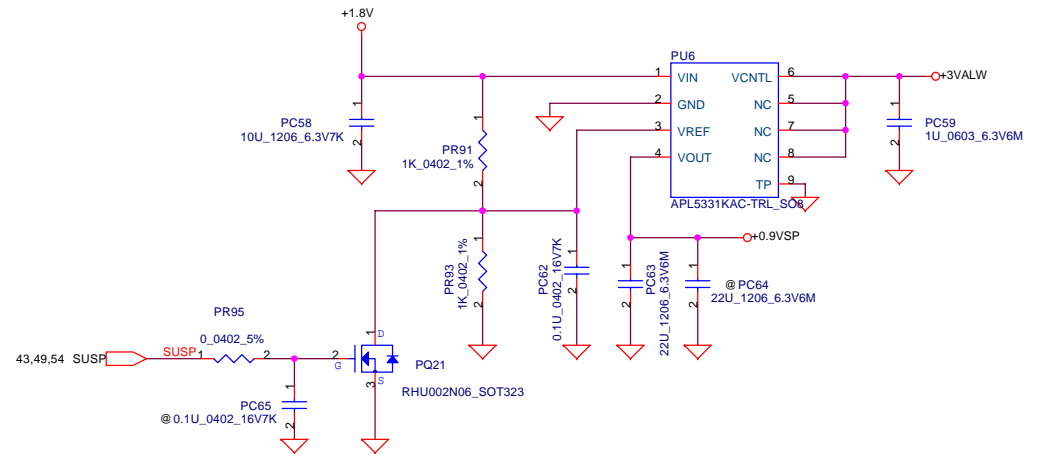
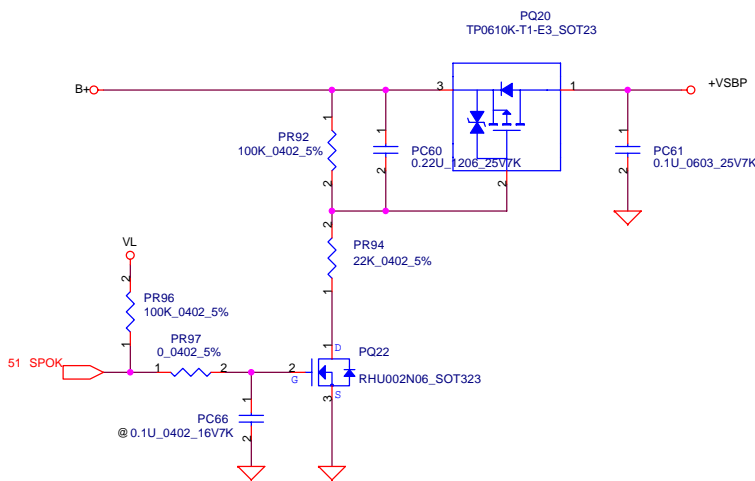
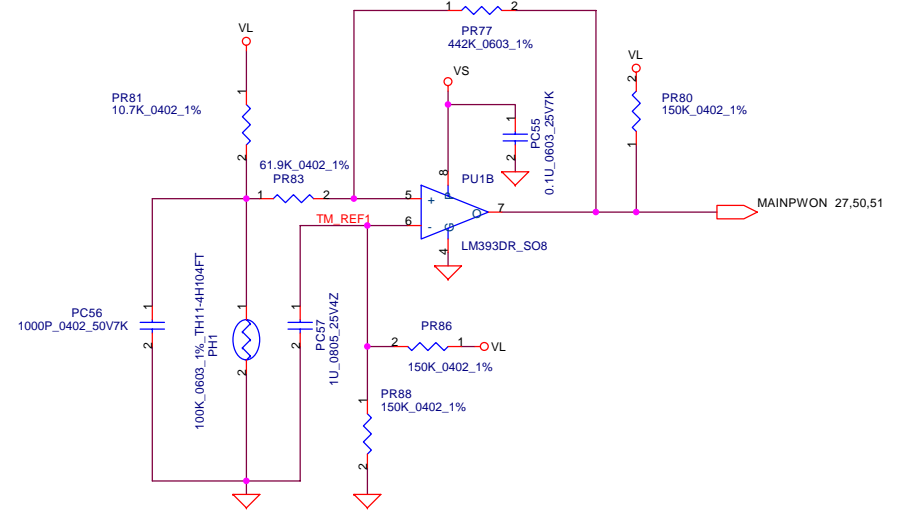
Security Classification	Compal Secret Data		Title
Issued Date	2006/10/4	Deciphered Date	2007/10/4
THIS SHEET OF ENGINEERING DRAWING IS THE PROPRIETARY PROPERTY OF COMPAL ELECTRONICS, INC. AND CONTAINS CONFIDENTIAL AND TRADE SECRET INFORMATION. THIS SHEET MAY NOT BE TRANSFERRED FROM THE CUSTODY OF THE COMPETENT DIVISION OF R&D DEPARTMENT EXCEPT AS AUTHORIZED BY COMPAL ELECTRONICS, INC. NEITHER THIS SHEET NOR THE INFORMATION IT CONTAINS MAY BE USED BY OR DISCLOSED TO ANY THIRD PARTY WITHOUT PRIOR WRITTEN CONSENT OF COMPAL ELECTRONICS, INC.			Compal Electronics, Inc. SCHEMATIC, M/B LA-2921P
Size	Document Number	Rev	H
B	401398		
Date:	星期四, 十月 05, 2006	Sheet	52 of 59

PJP2 battery connector

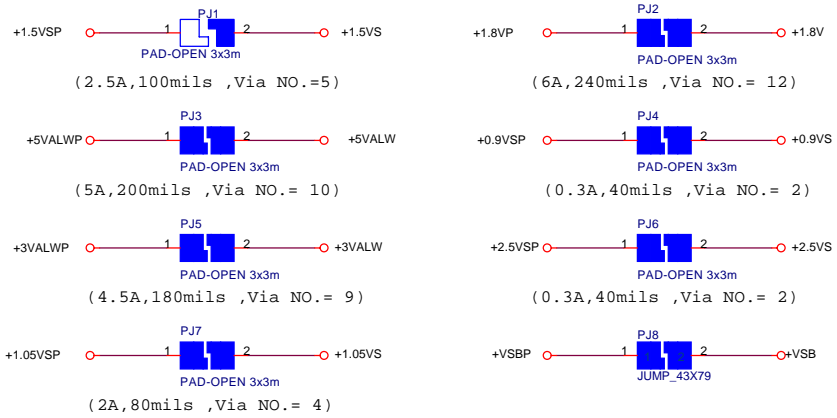
- SMART Battery:**
 1.GND
 2.SMC
 3.SMD
 4.TS
 5.B/I
 6.ID
 7.BATT+



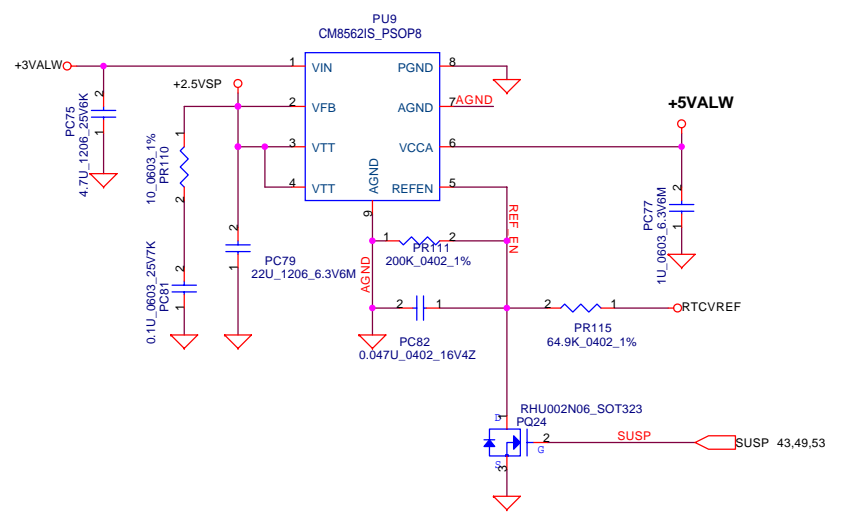
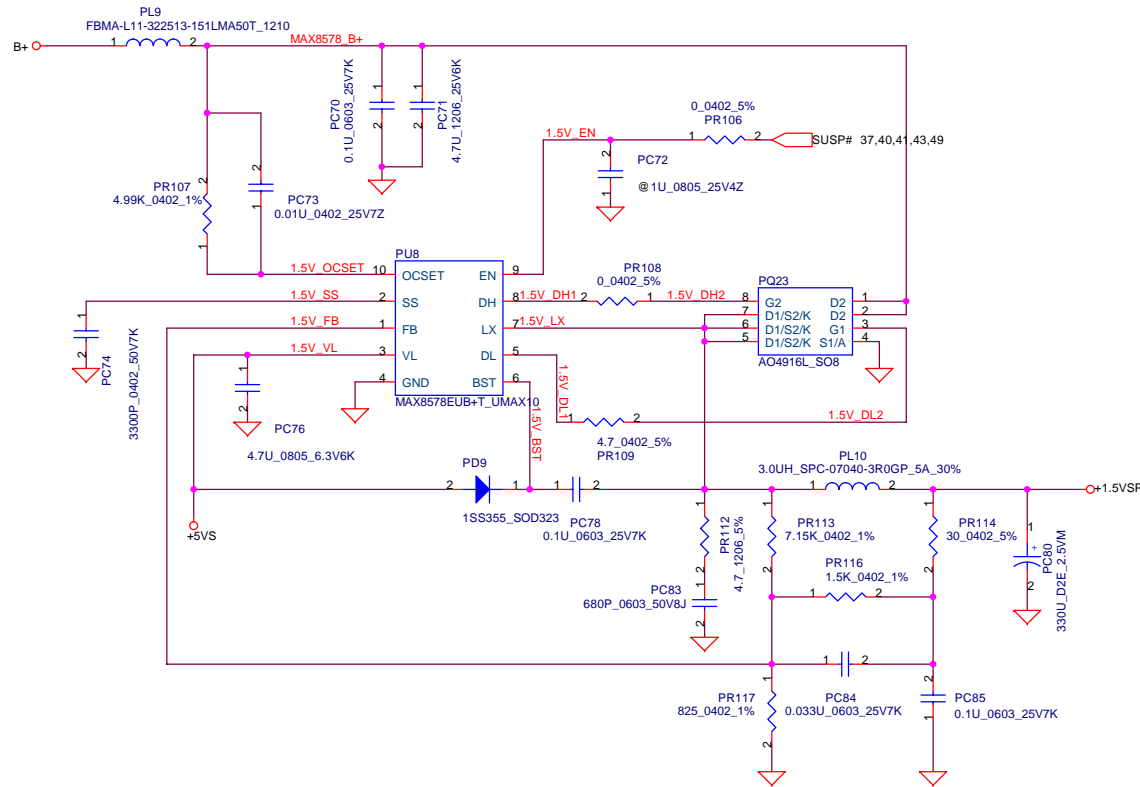
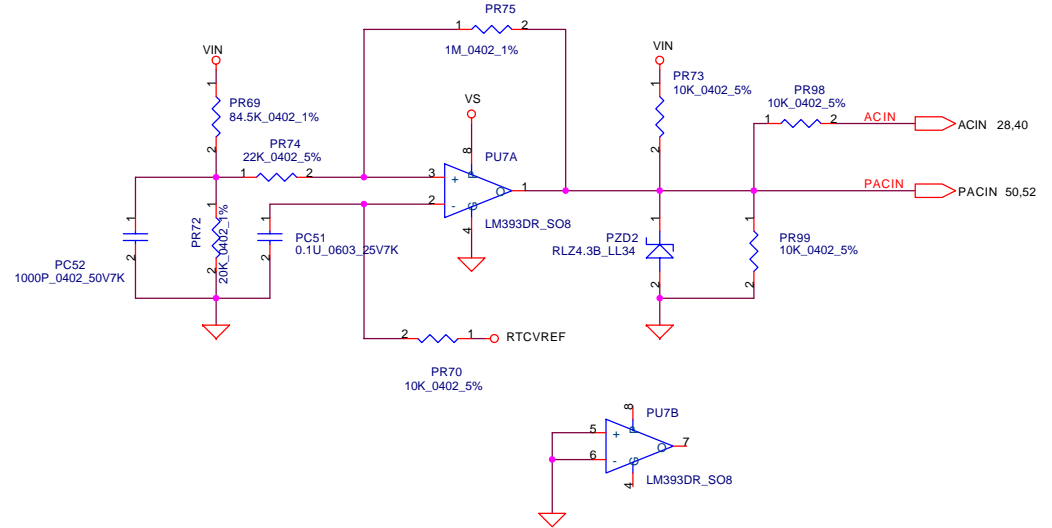
PH1 under CPU bottom side :
 CPU thermal protection at 80 degree C
 Recovery at 44(45) degree C



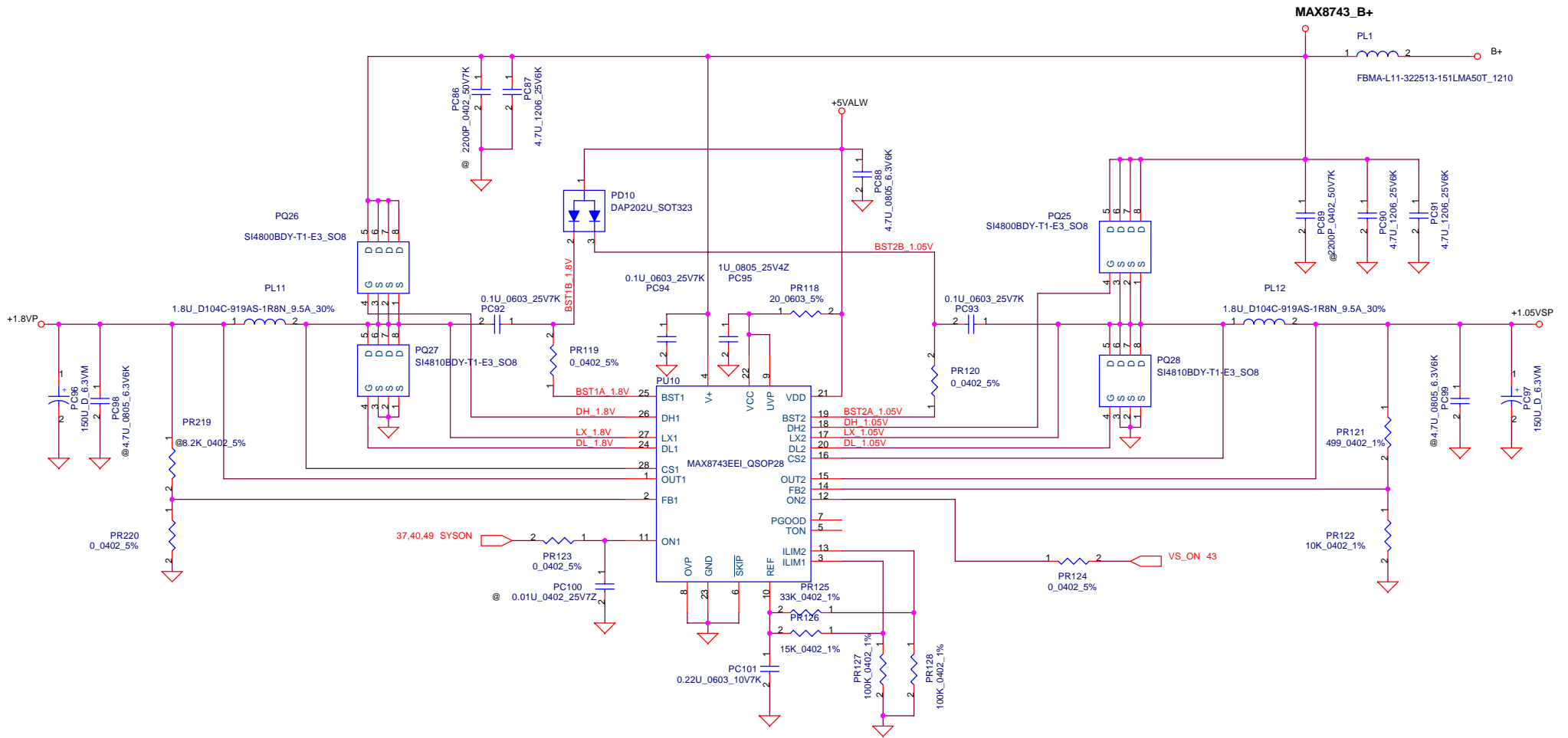
Security Classification		Compal Secret Data		Compal Electronics, Inc.	
Issued Date	2006/10/4	Deciphered Date	2007/10/4	Title	SCHEMATIC, M/B LA-2921P
THIS SHEET OF ENGINEERING DRAWING IS THE PROPRIETARY PROPERTY OF COMPAL ELECTRONICS, INC. AND CONTAINS CONFIDENTIAL AND TRADE SECRET INFORMATION. THIS SHEET MAY NOT BE TRANSFERRED FROM THE CUSTODY OF THE COMPETENT DIVISION OF R&D DEPARTMENT EXCEPT AS AUTHORIZED BY COMPAL ELECTRONICS, INC. NEITHER THIS SHEET NOR THE INFORMATION IT CONTAINS MAY BE USED BY OR DISCLOSED TO ANY THIRD PARTY WITHOUT PRIOR WRITTEN CONSENT OF COMPAL ELECTRONICS, INC.					
Size B	Document Number			Rev H	
	401398				
Date:	星期四, 十月 05, 2006		Sheet	53	of 59



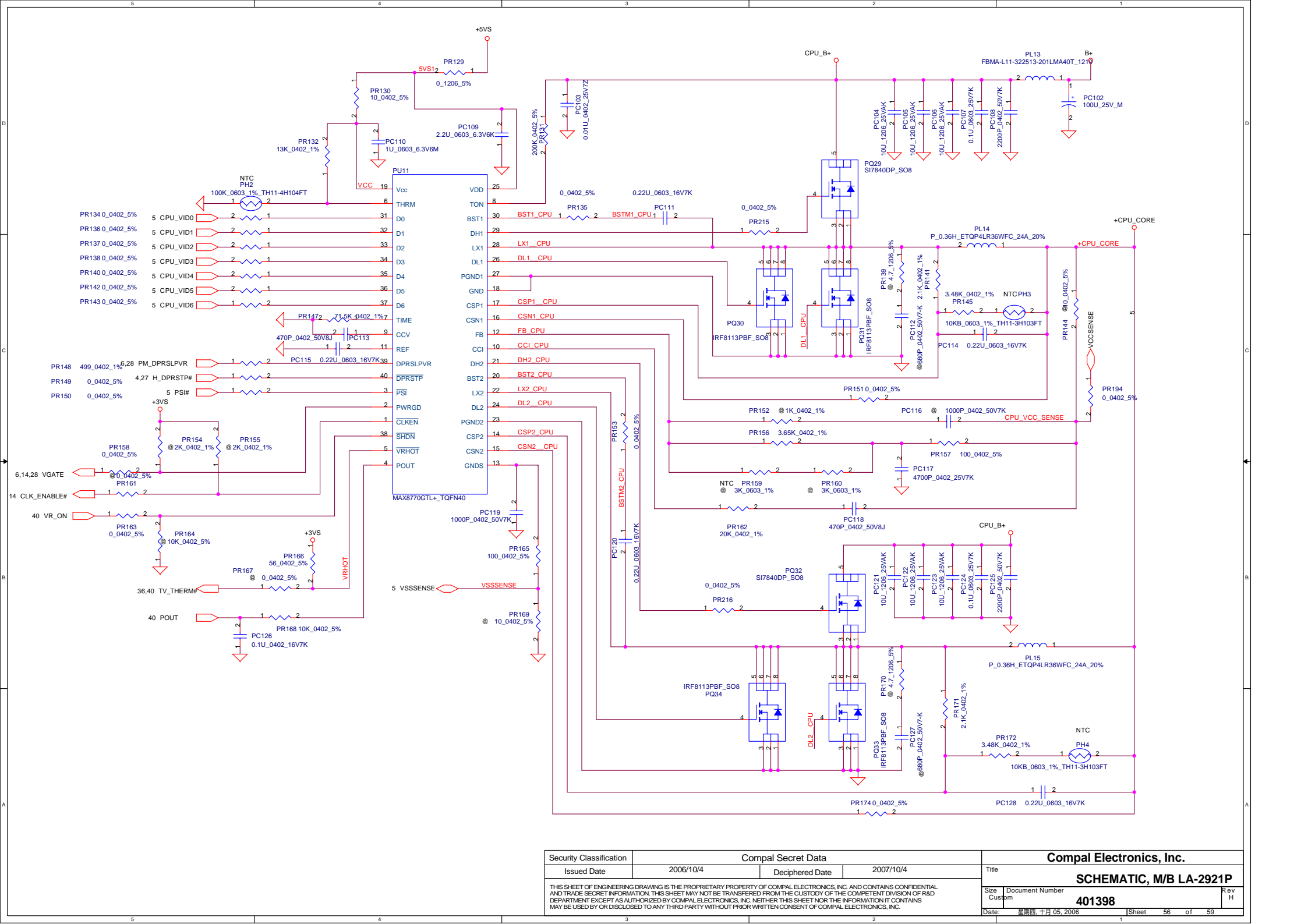
Vin Detector
17.90V/17.24V



Security Classification		Compal Secret Data		Compal Electronics, Inc.	
Issued Date	2006/10/4	Deciphered Date	2007/10/4	Title	
THIS SHEET OF ENGINEERING DRAWING IS THE PROPRIETARY PROPERTY OF COMPAL ELECTRONICS, INC. AND CONTAINS CONFIDENTIAL AND TRADE SECRET INFORMATION. THIS SHEET MAY NOT BE TRANSFERRED FROM THE CUSTODY OF THE COMPETENT DIVISION OF R&D DEPARTMENT EXCEPT AS AUTHORIZED BY COMPAL ELECTRONICS, INC. NEITHER THIS SHEET NOR THE INFORMATION IT CONTAINS MAY BE USED BY OR DISCLOSED TO ANY THIRD PARTY WITHOUT PRIOR WRITTEN CONSENT OF COMPAL ELECTRONICS, INC.				SCHEMATIC, M/B LA-2921P	
Size	Document Number	Rev		H	
B	401398				
Date:	星期四, 十月 05, 2006	Sheet	54	of	59

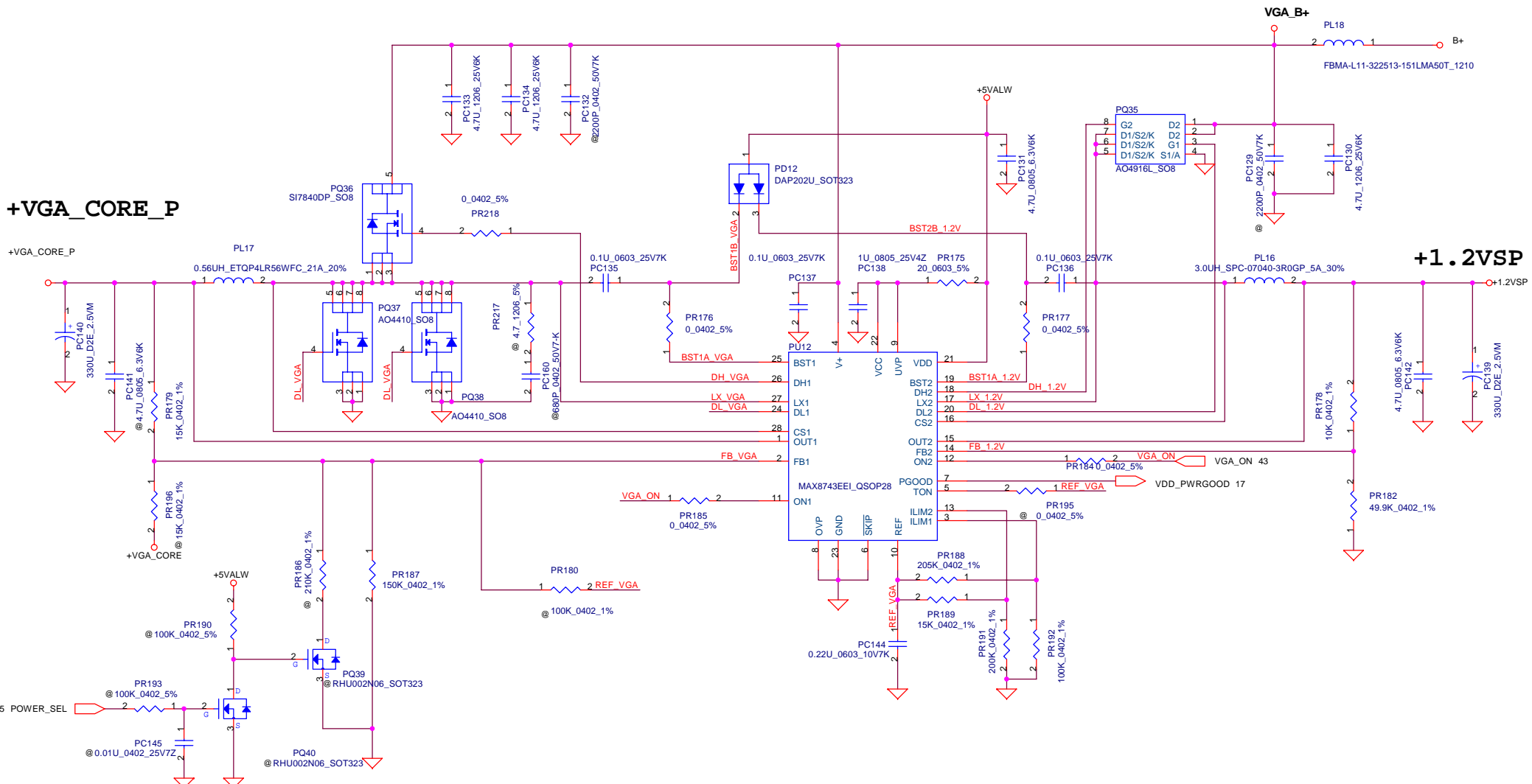


Security Classification		Compal Secret Data		Compal Electronics, Inc.	
Issued Date	2006/10/4	Deciphered Date	2007/10/4	Title	
THIS SHEET OF ENGINEERING DRAWING IS THE PROPRIETARY PROPERTY OF COMPAL ELECTRONICS, INC. AND CONTAINS CONFIDENTIAL AND TRADE SECRET INFORMATION. THIS SHEET MAY NOT BE TRANSFERRED FROM THE CUSTODY OF THE COMPETENT DIVISION OF R&D DEPARTMENT EXCEPT AS AUTHORIZED BY COMPAL ELECTRONICS, INC. NEITHER THIS SHEET NOR THE INFORMATION IT CONTAINS MAY BE USED BY OR DISCLOSED TO ANY THIRD PARTY WITHOUT PRIOR WRITTEN CONSENT OF COMPAL ELECTRONICS, INC.				Schematic, M/B LA-2921P	
Size B	Document Number			Rev	H
Date: 星期四, 十月 05, 2006				Sheet	55 of 59



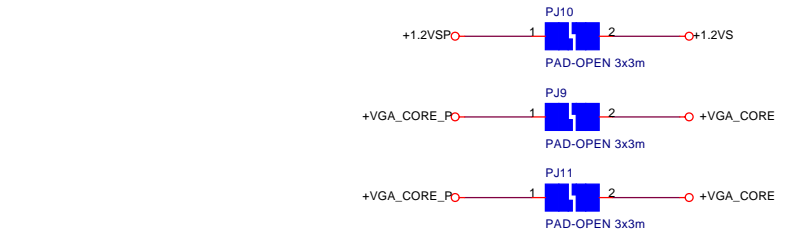
Security Classification	Compal Secret Data		Compal Electronics, Inc.	
Issued Date	2006/10/4	Deciphered Date	2007/10/4	Title
THIS SHEET OF ENGINEERING DRAWING IS THE PROPRIETARY PROPERTY OF COMPAL ELECTRONICS, INC. AND CONTAINS CONFIDENTIAL AND TRADE SECRET INFORMATION. THIS SHEET MAY NOT BE TRANSFERRED FROM THE CUSTODY OF THE COMPETENT DIVISION OF R&D DEPARTMENT EXCEPT AS AUTHORIZED BY COMPAL ELECTRONICS, INC. NEITHER THIS SHEET NOR THE INFORMATION IT CONTAINS MAY BE USED BY OR DISCLOSED TO ANY THIRD PARTY WITHOUT PRIOR WRITTEN CONSENT OF COMPAL ELECTRONICS, INC.				SCHEMATIC, M/B LA-2921P
Size	Document Number	Rev	H	
Custom	401398			
Date:	星期四, 十月 05, 2006	Sheet	56	of 59

POWER_SEL	H	L
+VGA_CORE FOR G73.	+0.95V(VGA@+G72@)	+1.025V
+VGA_CORE FOR G72.	+1.1V(VGA@)	



+VGA_CORE_P

+1.2VSP



Security Classification		Compal Secret Data	
Issued Date	2006/10/4	Deciphered Date	2007/10/4
THIS SHEET OF ENGINEERING DRAWING IS THE PROPRIETARY PROPERTY OF COMPAL ELECTRONICS, INC. AND CONTAINS CONFIDENTIAL AND TRADE SECRET INFORMATION. THIS SHEET MAY NOT BE TRANSFERRED FROM THE CUSTODY OF THE COMPETENT DIVISION OF R&D DEPARTMENT EXCEPT AS AUTHORIZED BY COMPAL ELECTRONICS, INC. NEITHER THIS SHEET NOR THE INFORMATION IT CONTAINS MAY BE USED BY OR DISCLOSED TO ANY THIRD PARTY WITHOUT PRIOR WRITTEN CONSENT OF COMPAL ELECTRONICS, INC.			

Compal Electronics, Inc.		
Title		
SCHEMATIC, M/B LA-2921P		
Size B	Document Number	Rev H
	401398	
Date:	星期四, 十月 05, 2006	Sheet 57 of 59

A --> B Change List

1. Page06 : No stuff R100 10K_0402_5%
2. Page09 : Add C49 & C887 220U_D2_4VM
3. Page10 : No stuff R57 2.2K_0402_5%
4. Page14 : Add R711 10K_0402_5% to set 96MHz output
Change Q14 & Q15 pin1 net name to connect to ICH7M
Change U19 ICS9LPRS325CKLFT part number to SA00000RE20
5. Page15 : Change C663, C664 from 22P_0402_50V8J to 18P_0402_50V8J.
6. Page18 : Modify VGA Device ID for G72MV & G73.
7. Page24 : Change VGA_DDC_CLK & VGA_DDC_DATA to Q26 & Q27 Level shift.
Add R781 & R782 4.7K_0402_5%
Change C589, C596, C583, C587, C594, C585 to 150P_0402_50V8J
8. Page28 : Change SB_INT_FLASH_SEL# from ICH7M GPIO38 to GPIO33.
9. Page29 : Change C437 from 0.1U_0402_16V4Z to 1U_0402_6.3V4Z
10. Page30 : Change PATA HDD+ODD select resistor form RP to R_0402 (0_0402_5%)
11. Page34 : Stuff R175 & no stuff R182 (0_0402_5%) for BCM4401E/BCM5789M/BCM5787M
12. Page35 : Modify LAN_ACTIVITY# & LAN_LINK# LED color
13. Page 36 : Add JP38 & C895 for CAMERA.
Swap JP17 PCIE TX & RX Signal.
Swap JP30 PCIE TX & RX Signal.
14. Page37 : Connect JP34 SMBus interface to ICH7M
Change JP4 & JP5 USB connector to BOTTOM.
15. Page38 : Add 1394 @ BOM Structure.
16. Page41 : Delete LCM interface Extension I/O.
No stuff R390 & Stuff R418 for Flash ROM interface.
17. Page42 : Change JP11 from 34 pin to 24 pin.
Change SW8 & SW9.
Add JP37.
18. Page43 : Change U28 Part Number.
Change SW1 Part Number.
Change R425 from 10K_0402_5% to 62K_0402_1%
Change R422 from 10K_0402_5% to 62K_0402_1% & add C513 0.1U_0402_16V4Z
19. Page44 : Add C554 for MIC_R
Add R440, R695 (0_0603_5%) & J4, J5 for EMI request.
20. Page45 : Add Echo Cancellation function.
21. Page46 : Correct Headphone L & R signal.
Reserved C879 for EMI request
Modify MIC Jack circuit. add R741, R775, R776, L54, C876
Change JP44 from 14 pin to 16 pin
22. Page48 : H27 connect to GNDA.
23. Page49 : Add R290, R238, R497, Q10, Q7, Q29
Change R317 to 200K_0402_5%
Change R586 to 510K_0402_5%

B --> C Change List

1. Page05 : No stuff C608, C614
2. Page12 : Change JP22 Footprint
3. Page14 : Change R620 from 2K_0402_5% to 10K_0402_5% & add Q38
4. Page15 : Delete DVI pull high resistor
5. Page17 : AddC96 330U for +VGA_CORE
6. Page18 : Modify PEX_CFG[0..2] setting from 02 to 01.
7. Page30 : Delete R395 & C486, add R394 for SATA bridge reset timing
Modify SATA HDD connector library
8. Page31 : Delete IDE_CD_L, IDE_CD_R & CD_GNDA
9. Page34 : Add R783, R784, R785 for BCM5787M, stuff R214 when use BCM4401E,
Del R168, change Q5 P/N
10. Page36 : Add +3VS, GND at JP30 for 3G device
11. Page38 : No stuff U14, R253, R246 & stuff R261
12. Page40 : Reserved R793 for ALC883 pin47 EAPD, & define KB910 Pin174 as EC_PWROK
13. Page41 : No stuff U21, U30, C490, R391, R390, R388 & stuff R418
14. Page42 : Modify SW9 Pin1, Pin5 as NC, no stuff C7
15. Page43 : Modify Power OK circuit. add R790 for EC_PWROK, reserved Q41, R420, C512
add D35, D37, Change BATT1 P/N to SP093PA0200
16. Page44 : Delete ALC883 CD input circuit, add HD_EAPD# signal
17. Page46 : Add C927, C928, reserved R791, R792
18. Page49 : Stuff Q33

Rev0.3 --> Rev0.4 Change List

1. Page15 : Add R809
2. Page23 : Reserved C934, C935, C936 for EMI
3. Page26 : Add U51, R811, Reserved R330
4. Page44 : Add R810 for EMI.

2005-12-19

1. Page 48: Delete 2nd Fan support components U10, D8, D9, C339, C343, JP25

2006-01-04

1. Page 16: Update VRAM Infineon strap setting.

2006-01-23

1. Change U42 part number from SA00000QZ00 to SA00000QZ10
2. Update C877 to no-stuff.

2006-02-06

1. Update R148 note as 30.1_0402_1% for G72MV & 40.2_0402_1% for G73M. (Not apply wait Nvidia document)

2006-03-02

1. Modify Camera power from +5VS to +3VS.
2. Add HDCP function. (U67, R818, R819, C946)

2006-03-28

1. Add R212 with 5787 @ BOM Structure property at Page 34 for S5 wake up function of BCM5787M.

Security Classification		Compal Secret Data		Compal Electronics, Inc.		
Issued Date	2006/10/4	Deciphered Date	2007/10/4	Title SCHEMATIC, M/B LA-2921P		
THIS SHEET OF ENGINEERING DRAWING IS THE PROPRIETARY PROPERTY OF COMPAL ELECTRONICS, INC. AND CONTAINS CONFIDENTIAL AND TRADE SECRET INFORMATION. THIS SHEET MAY NOT BE TRANSFERRED FROM THE CUSTODY OF THE COMPETENT DIVISION OF R&D DEPARTMENT EXCEPT AS AUTHORIZED BY COMPAL ELECTRONICS, INC. NEITHER THIS SHEET NOR THE INFORMATION IT CONTAINS MAY BE USED BY OR DISCLOSED TO ANY THIRD PARTY WITHOUT PRIOR WRITTEN CONSENT OF COMPAL ELECTRONICS, INC.				Size B	Document Number 401398	Rev H
				Date: 星期四, 十月 05, 2006	Sheet 58 of 59	

5

4

3

2

1

D

D

C

C

B

B

A

A

Security Classification		Compal Secret Data		Compal Electronics, Inc.	
Issued Date	2006/10/4	Deciphered Date	2007/10/4	Title	SCHEMATIC, M/B LA-2921P
<small>THIS SHEET OF ENGINEERING DRAWING IS THE PROPRIETARY PROPERTY OF COMPAL ELECTRONICS, INC. AND CONTAINS CONFIDENTIAL AND TRADE SECRET INFORMATION. THIS SHEET MAY NOT BE TRANSFERRED FROM THE CUSTODY OF THE COMPETENT DIVISION OF R&D DEPARTMENT EXCEPT AS AUTHORIZED BY COMPAL ELECTRONICS, INC. NEITHER THIS SHEET NOR THE INFORMATION IT CONTAINS MAY BE USED BY OR DISCLOSED TO ANY THIRD PARTY WITHOUT PRIOR WRITTEN CONSENT OF COMPAL ELECTRONICS, INC.</small>				Size B	Document Number 401398
				Date: 星期四, 十月 05, 2006	Rev H
				Sheet 59 of 59	1

5

4

3

2

1