

Compal Confidential

KIU00 LA-4501P M/B Schematics Document

2008-08-20

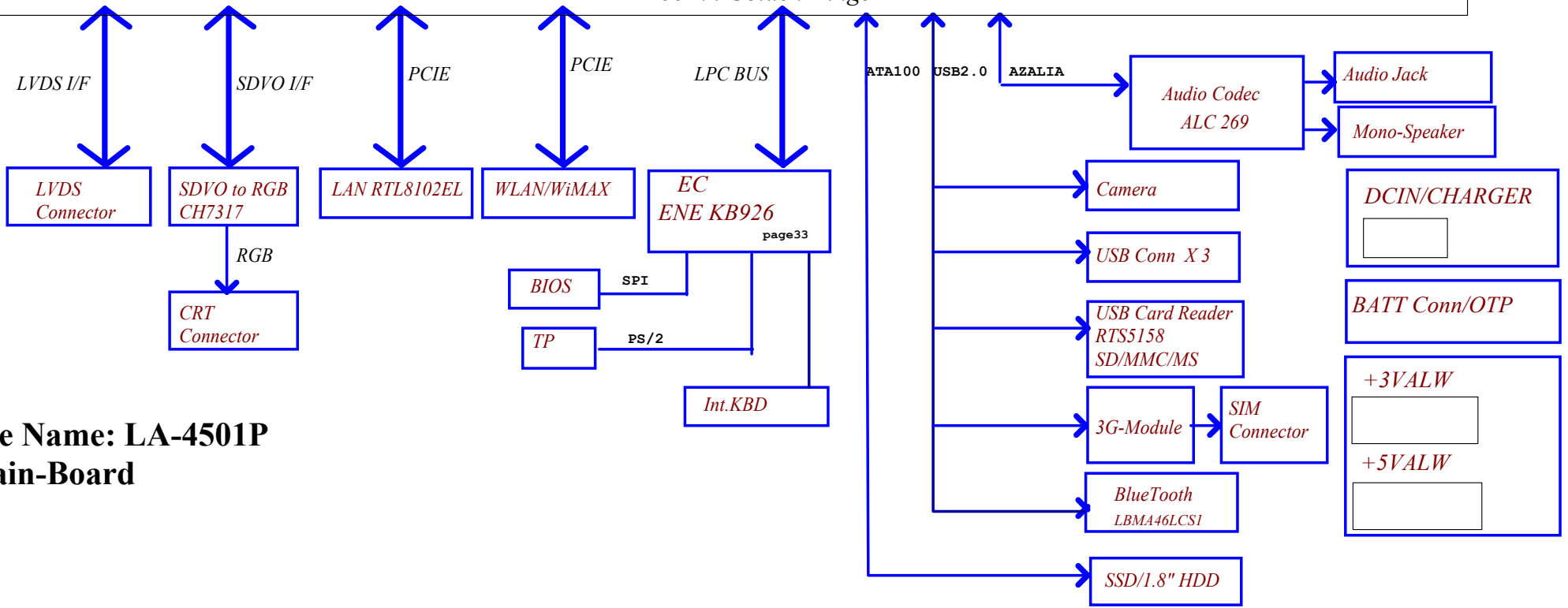
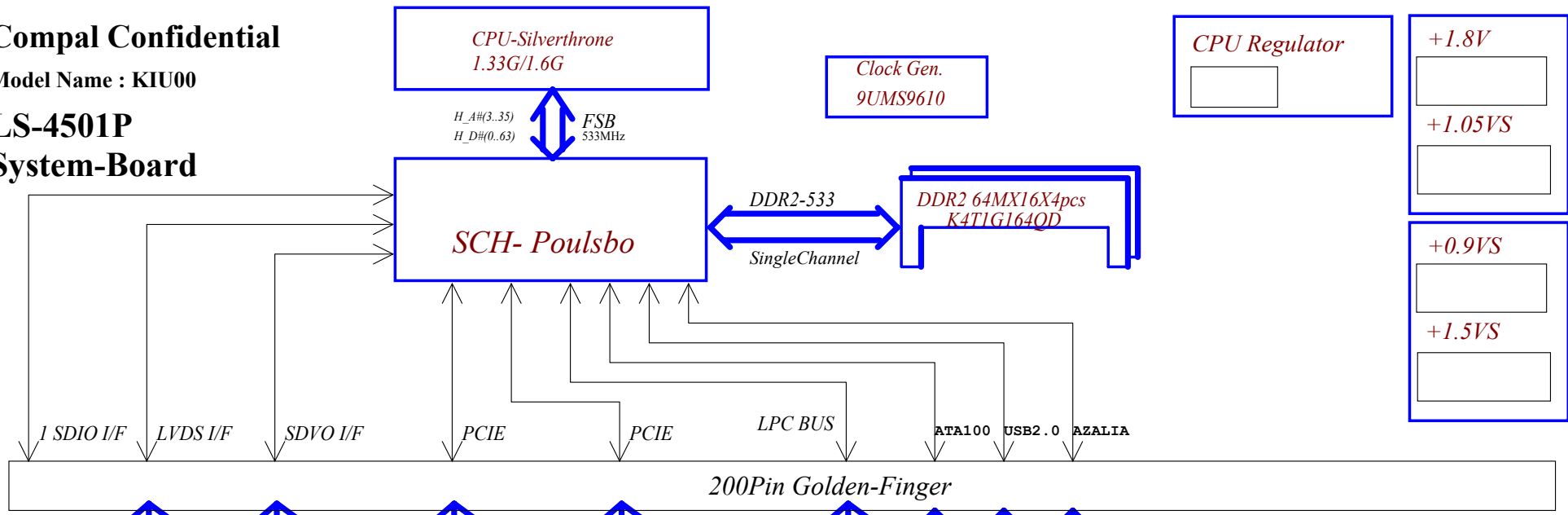
REV:1.0

Security Classification	Compal Secret Data			Title		
Issued Date	2008/05/30	Deciphered Date	2011/05/30	Cover Sheet		
THIS SHEET OF ENGINEERING DRAWING IS THE PROPRIETARY PROPERTY OF COMPAL ELECTRONICS, INC. AND CONTAINS CONFIDENTIAL AND TRADE SECRET INFORMATION. THIS SHEET MAY NOT BE TRANSFERRED FROM THE CUSTODY OF THE COMPETENT DIVISION OF R&D DEPARTMENT EXCEPT AS AUTHORIZED BY COMPAL ELECTRONICS, INC. NEITHER THIS SHEET NOR THE INFORMATION IT CONTAINS MAY BE USED BY OR DISCLOSED TO ANY THIRD PARTY WITHOUT PRIOR WRITTEN CONSENT OF COMPAL ELECTRONICS, INC.				Size	Document Number	Rev
				Custom	Yao-Ming(Menlow)	1.0
				Date:	Sheet 1 of 18	

Compal Confidential

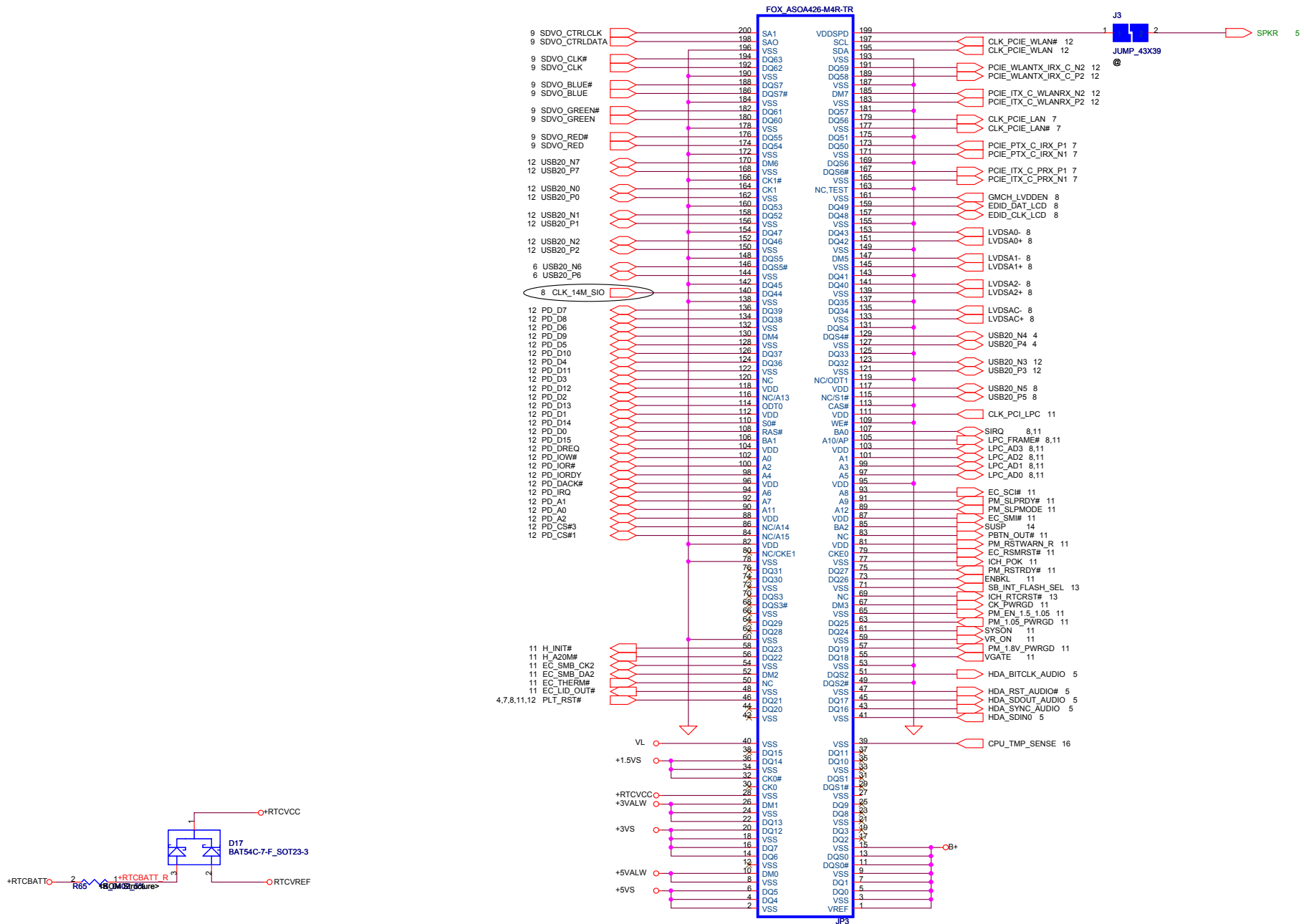
Model Name : KIU00

LS-4501P System-Board



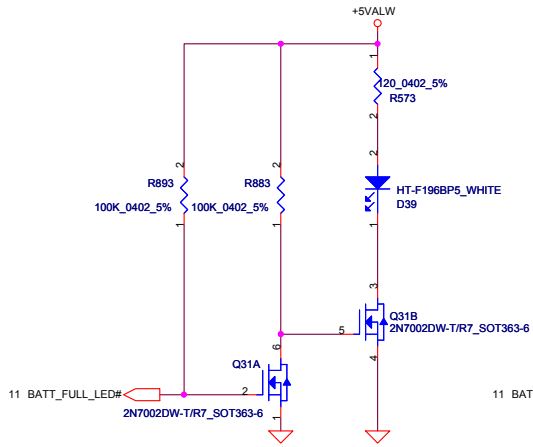
File Name: LA-4501P Main-Board

Security Classification	Compal Secret Data			Title		
Issued Date	2008/05/30	Deciphered Date	2011/05/30	Compal Electronics, Inc.		
THIS SHEET OF ENGINEERING DRAWING IS THE PROPRIETARY PROPERTY OF COMPAL ELECTRONICS, INC. AND CONTAINS CONFIDENTIAL AND TRADE SECRET INFORMATION. THIS SHEET MAY NOT BE TRANSFERRED FROM THE CUSTODY OF THE COMPETENT DIVISION OF R&D DEPARTMENT EXCEPT AS AUTHORIZED BY COMPAL ELECTRONICS, INC. NEITHER THIS SHEET NOR THE INFORMATION IT CONTAINS MAY BE USED BY OR DISCLOSED TO ANY THIRD PARTY WITHOUT PRIOR WRITTEN CONSENT OF COMPAL ELECTRONICS, INC.				Size	Document Number	Rev
				Custom	Yao-Ming(Menlow)	1.0
				Date:	Wednesday, August 20, 2008	Sheet 2 of 18

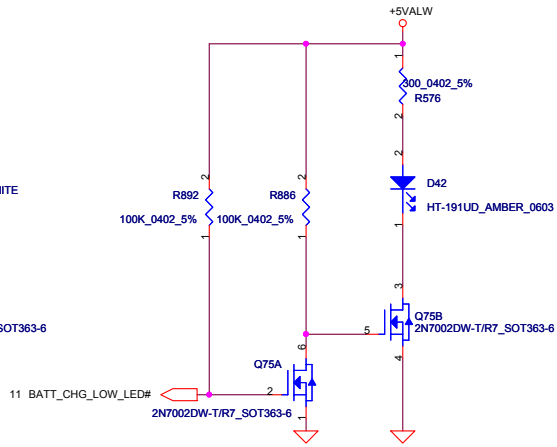


Security Classification		Compal Secret Data		Title	
Issued Date	2008/05/30	Deciphered Date	2011/05/30	Compal Electronics, Inc.	
				HDI-Interface	
THIS SHEET OF ENGINEERING DRAWING IS THE PROPRIETARY PROPERTY OF COMPAL ELECTRONICS, INC. AND CONTAINS CONFIDENTIAL AND TRADE SECRET INFORMATION. THIS SHEET MAY NOT BE DISCLOSED FROM THE CUSTODY OF THE COMPETENT DIVISION OF R&D DEPARTMENT EXCEPT AS AUTHORIZED BY COMPAL ELECTRONICS, INC. NEITHER THIS SHEET NOR THE INFORMATION IT CONTAINS MAY BE USED BY OR DISCLOSED TO ANY THIRD PARTY WITHOUT PRIOR WRITTEN CONSENT OF COMPAL ELECTRONICS, INC.					
Size	Document Number	Date:		Rev	
Custort	Yao-Ming(Menlow)	Wednesday, August 20, 2008		1.0	
				Sheet	3 of 18

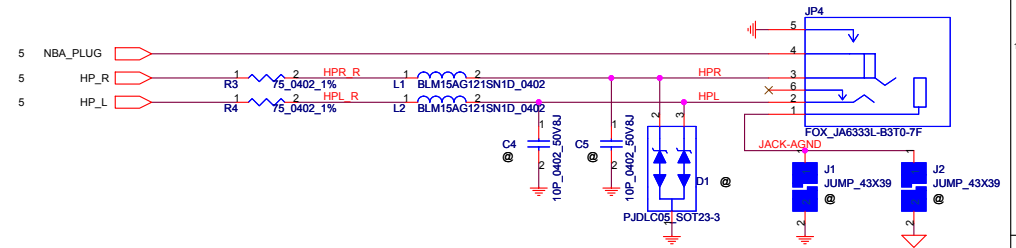
FULL LED



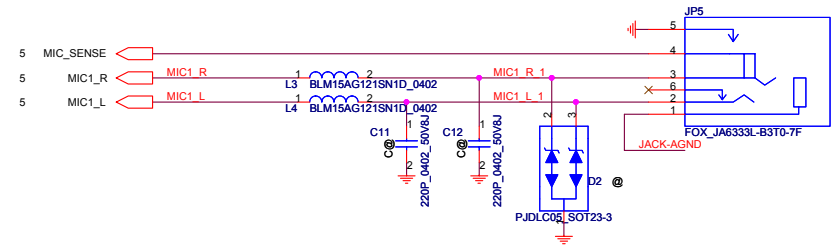
BATT CHARGE



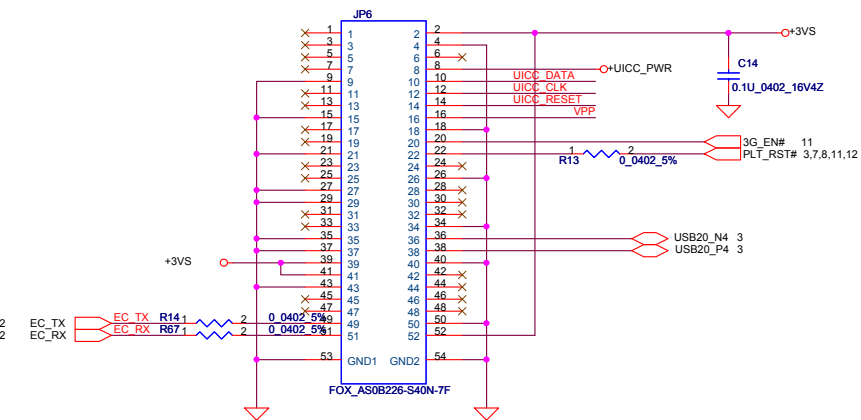
HeadPhone JACK



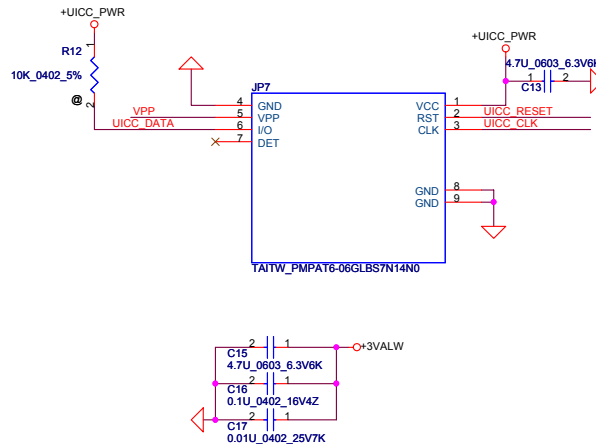
Ext.MIC/LINE IN JACK



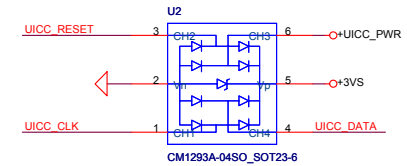
PCIe Mini Card for 3G



SIM Connector

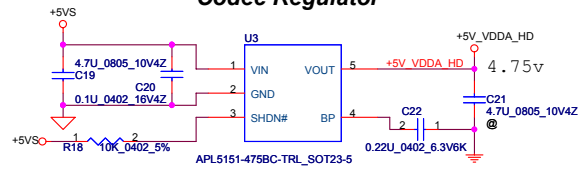


Cap close to JP7

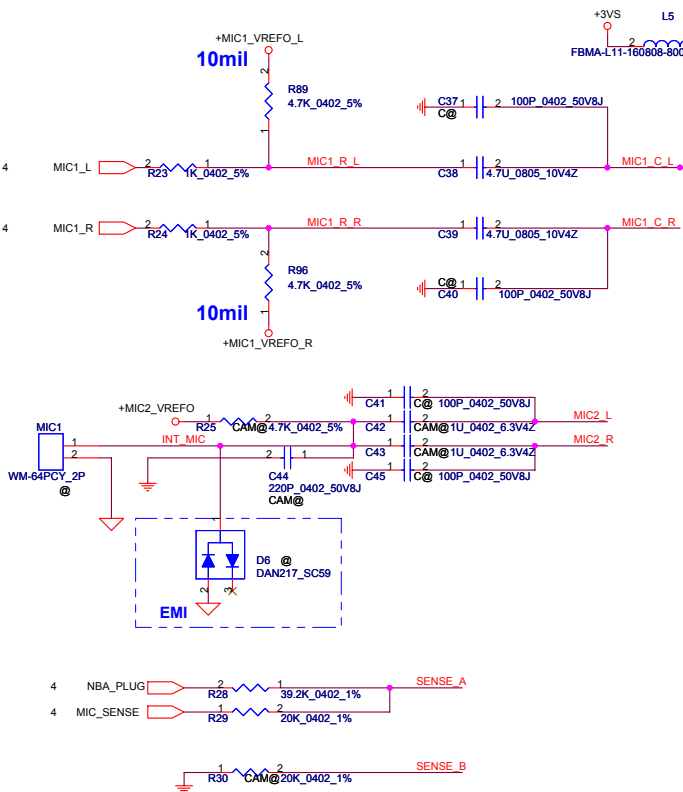


Security Classification		Compal Secret Data		Title	
Issued Date	2008/05/30	Deciphered Date	2011/05/30	MB/SD/USB/Audio Conn & LED	
THIS SHEET OF ENGINEERING DRAWING IS THE PROPRIETARY PROPERTY OF COMPAL ELECTRONICS, INC. AND CONTAINS CONFIDENTIAL AND TRADE SECRET INFORMATION. THIS SHEET MAY NOT BE TRANSFERRED FROM THE CUSTODY OF THE COMPETENT DIVISION OF R&D DEPARTMENT EXCEPT AS AUTHORIZED BY COMPAL ELECTRONICS, INC. NEITHER THIS SHEET NOR THE INFORMATION IT CONTAINS MAY BE USED BY OR DISCLOSED TO ANY THIRD PARTY WITHOUT PRIOR WRITTEN CONSENT OF COMPAL ELECTRONICS, INC.				Size	Document Number
				Custom	Yao-Ming(Menlow)
				Date:	Wednesday, August 20, 2008
				Sheet	4 of 18
				Rev	1.0

Codec Regulator

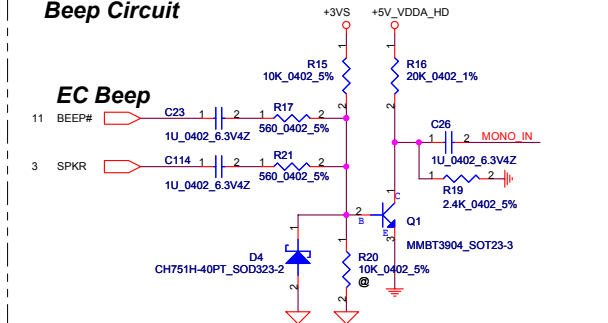


INT MIC



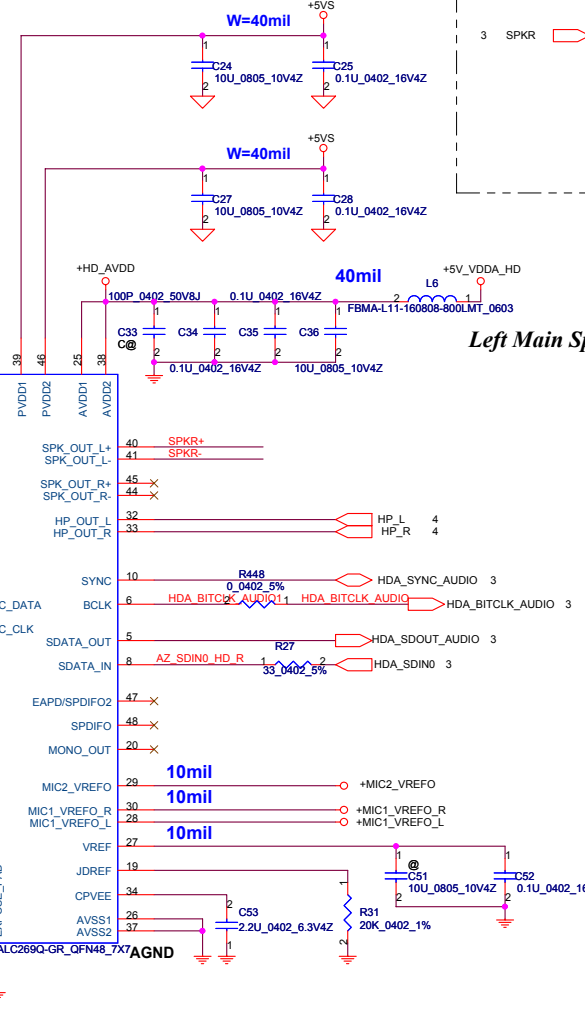
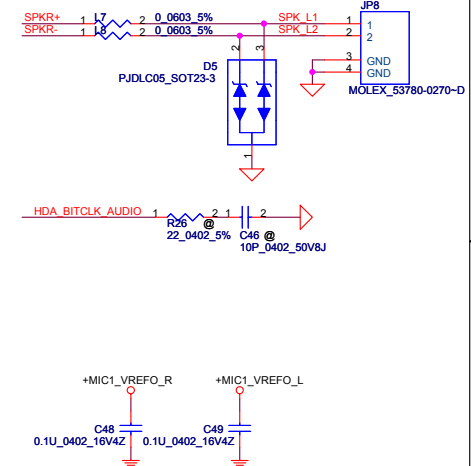
Beep Circuit

EC Beep

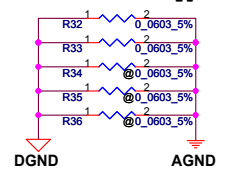


Left Main Speaker Connector

Speaker Conn.

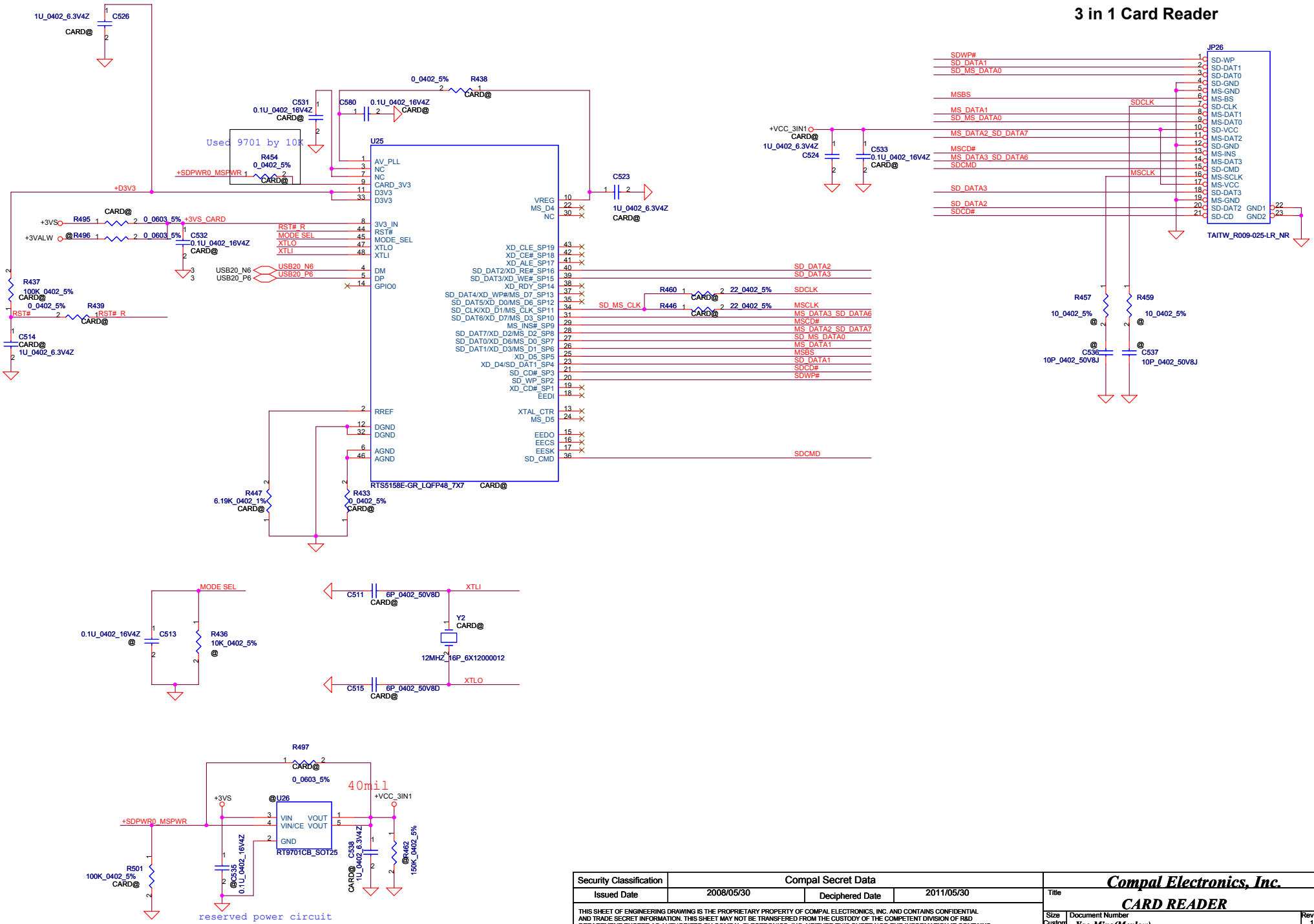


DGND To AGND Bypass

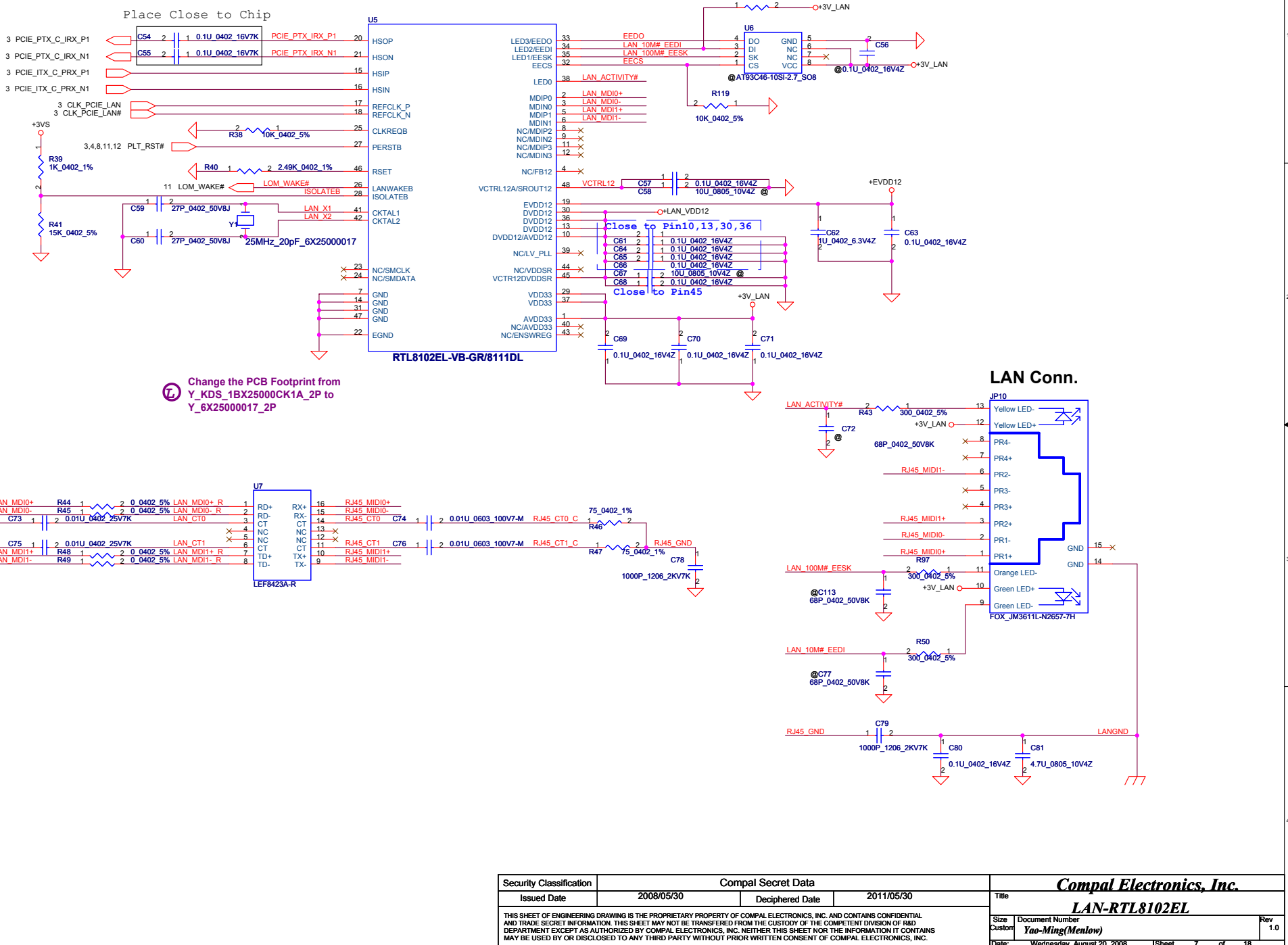


Sense Pin	Impedance	Codec Signals
SENSE A	39.2K	PORT-A (PIN 32, 33)
	20K	PORT-B (PIN 21, 22)
	10K	PORT-C (PIN 23, 24)
	5.1K	PORT-D (PIN 48)
SENSE B	39.2K	PORT-E (PIN 14, 15)
	20K	PORT-F (PIN 16, 17)
	10K	PORT-G (PIN 20)
	5.1K	PORT-H (PIN 47)

3 in 1 Card Reader



Security Classification	Compal Secret Data		Title	Compal Electronics, Inc.	
Issued Date	2008/05/30	Deciphered Date	2011/05/30	CARD READER	
THIS SHEET OF ENGINEERING DRAWING IS THE PROPRIETARY PROPERTY OF COMPAL ELECTRONICS, INC. AND CONTAINS CONFIDENTIAL AND TRADE SECRET INFORMATION. THIS SHEET MAY NOT BE TRANSFERRED FROM THE CUSTODY OF THE COMPETENT DIVISION OF R&D DEPARTMENT EXCEPT AS AUTHORIZED BY COMPAL ELECTRONICS, INC. NEITHER THIS SHEET NOR THE INFORMATION IT CONTAINS MAY BE USED BY OR DISCLOSED TO ANY THIRD PARTY WITHOUT PRIOR WRITTEN CONSENT OF COMPAL ELECTRONICS, INC.			Size	Document Number	Rev
			Custom	Yao-Ming(Menlow)	1.0
			Date:	Wednesday, August 20, 2008	Sheet 6 of 18



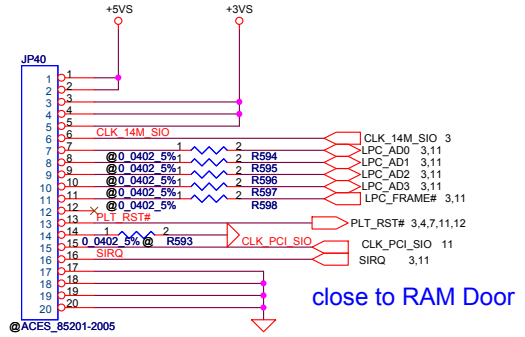
Change the PCB Footprint from
 Y_KDS_1BX25000CK1A_2P to
 Y_6X25000017_2P

LAN Conn.

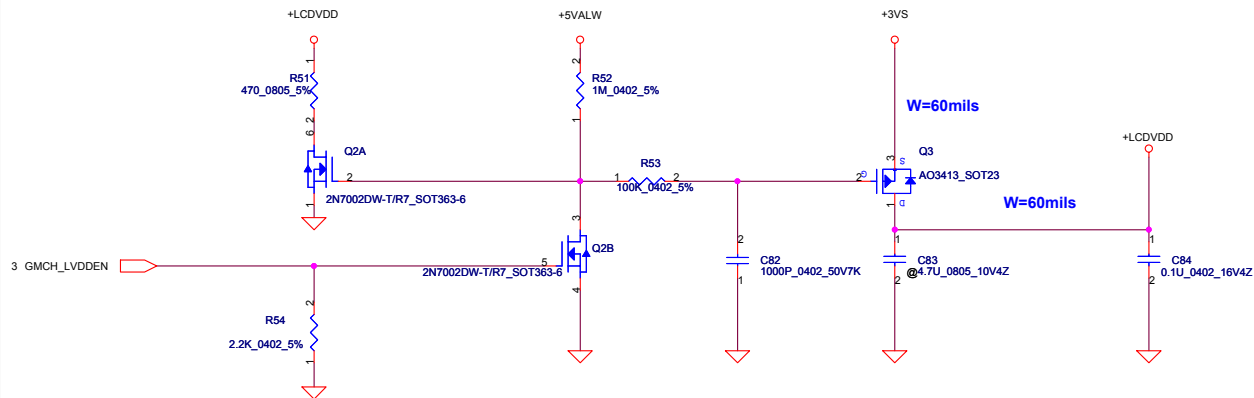
Security Classification	Compal Secret Data	
Issued Date	2008/05/30	Deciphered Date
		2011/05/30
THIS SHEET OF ENGINEERING DRAWING IS THE PROPRIETARY PROPERTY OF COMPAL ELECTRONICS, INC. AND CONTAINS CONFIDENTIAL AND TRADE SECRET INFORMATION. THIS SHEET MAY NOT BE TRANSFERRED FROM THE CUSTODY OF THE COMPETENT DIVISION OF R&D DEPARTMENT EXCEPT AS AUTHORIZED BY COMPAL ELECTRONICS, INC. NEITHER THIS SHEET NOR THE INFORMATION IT CONTAINS MAY BE USED BY OR DISCLOSED TO ANY THIRD PARTY WITHOUT PRIOR WRITTEN CONSENT OF COMPAL ELECTRONICS, INC.		

Title		Compal Electronics, Inc.	
		LAN-RTL8102EL	
Size	Document Number		Rev
Custom	Yao-Ming(Menlow)		1.0
Date:	Wednesday, August 20, 2008	Sheet	7 of 18

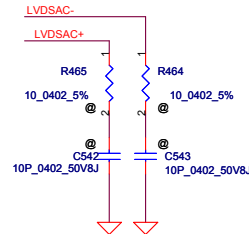
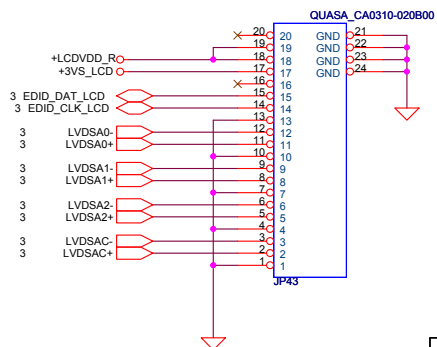
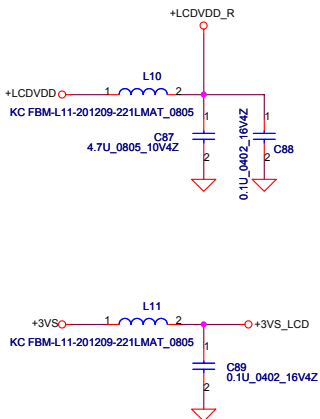
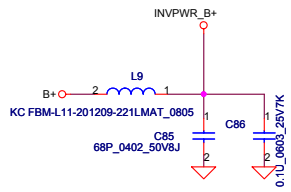
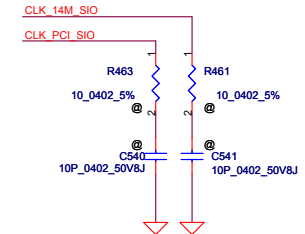
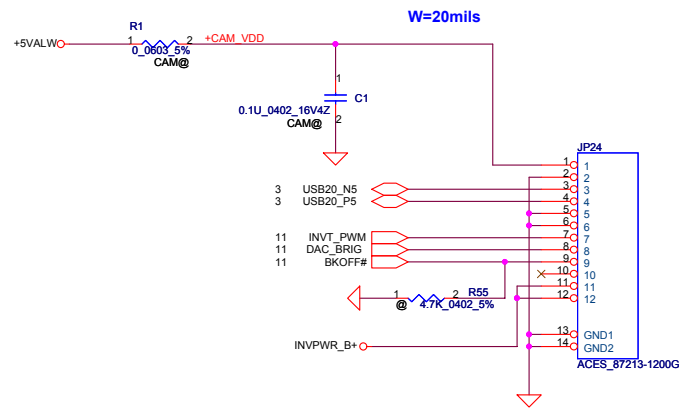
LPC Debug Port



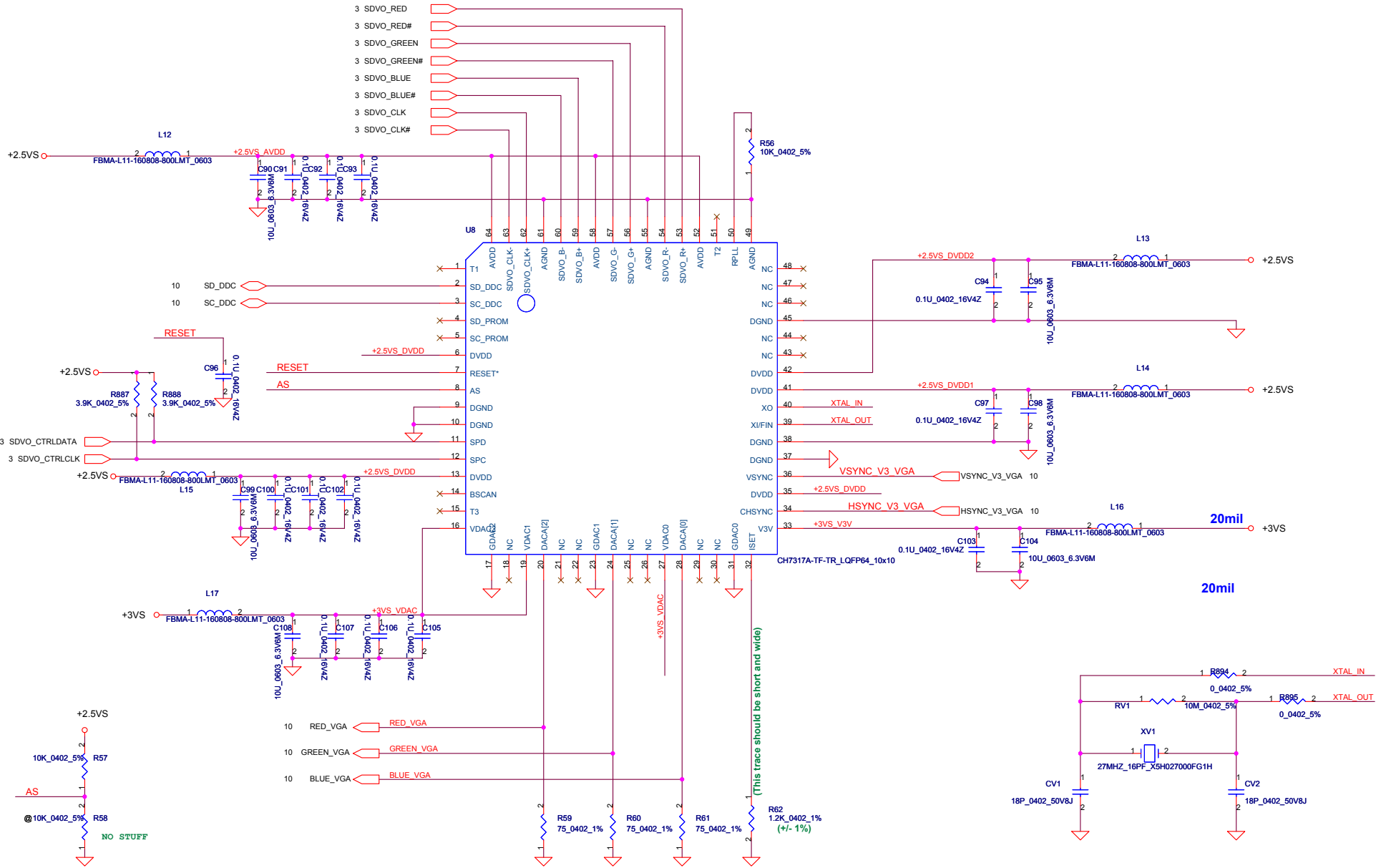
LCD POWER CIRCUIT



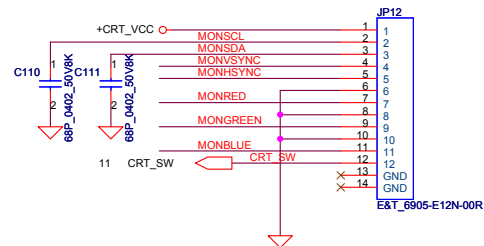
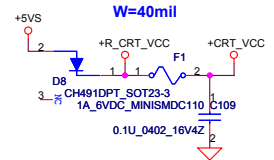
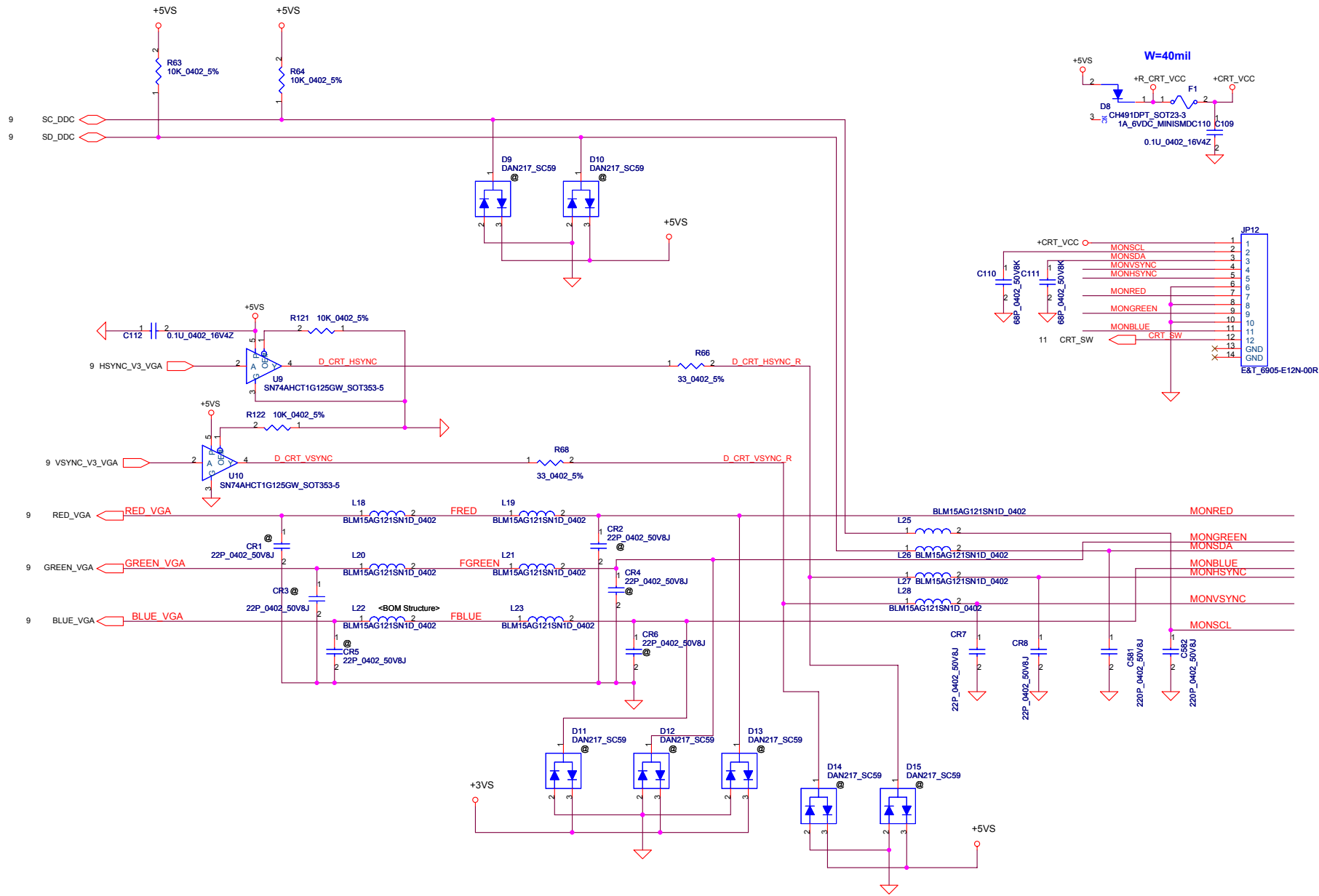
LCD/PANEL BD. Conn.



Security Classification		Compal Secret Data		Title	
Issued Date	2008/05/30	Deciphered Date	2011/05/30	Compal Electronics, Inc.	
THIS SHEET OF ENGINEERING DRAWING IS THE PROPRIETARY PROPERTY OF COMPAL ELECTRONICS, INC. AND CONTAINS CONFIDENTIAL AND TRADE SECRET INFORMATION. THIS SHEET MAY NOT BE TRANSFERRED FROM THE CUSTODY OF THE COMPETENT DIVISION OF R&D DEPARTMENT EXCEPT AS AUTHORIZED BY COMPAL ELECTRONICS, INC. NEITHER THIS SHEET NOR THE INFORMATION IT CONTAINS MAY BE USED BY OR DISCLOSED TO ANY THIRD PARTY WITHOUT PRIOR WRITTEN CONSENT OF COMPAL ELECTRONICS, INC.				LCD Conn & Debug Port	
Size	Document Number	Date:		Rev	1.0
Custort	Yao-Ming(Menlow)	Wednesday, August 20, 2008		Sheet	8 of 18

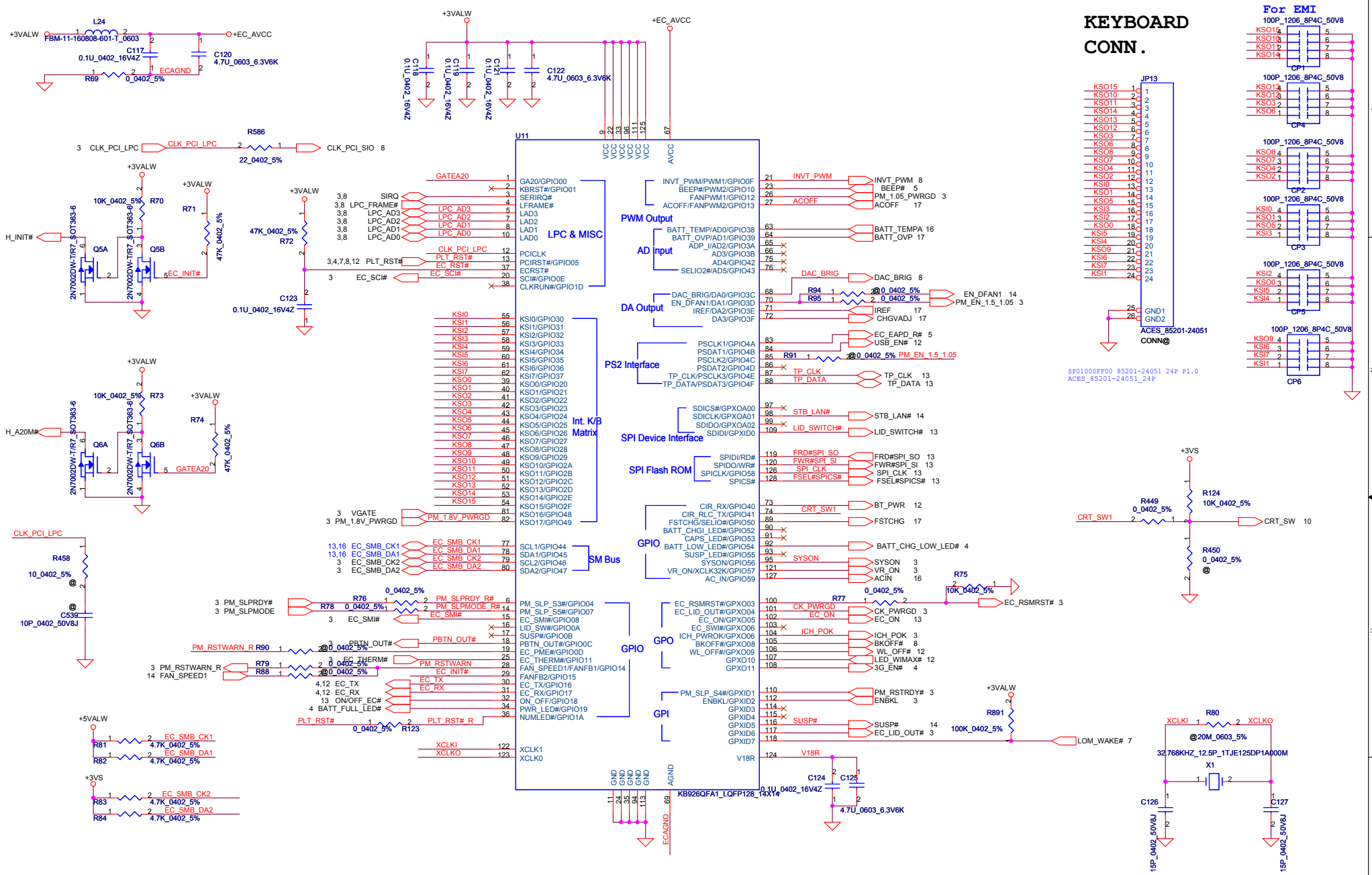


Security Classification		Compal Secret Data		Title	
Issued Date	2008/05/30	Deciphered Date	2011/05/30	Compal Electronics, Inc. CH7317	
<small>THIS SHEET OF ENGINEERING DRAWING IS THE PROPRIETARY PROPERTY OF COMPAL ELECTRONICS, INC. AND CONTAINS CONFIDENTIAL AND TRADE SECRET INFORMATION. THIS SHEET MAY NOT BE TRANSFERRED FROM THE CUSTODY OF THE COMPETENT DIVISION OF R&D DEPARTMENT EXCEPT AS AUTHORIZED BY COMPAL ELECTRONICS, INC. NEITHER THIS SHEET NOR THE INFORMATION IT CONTAINS MAY BE USED BY OR DISCLOSED TO ANY THIRD PARTY WITHOUT PRIOR WRITTEN CONSENT OF COMPAL ELECTRONICS, INC.</small>				Size Custom	Document Number Yao-Ming(Menlow)
Date: Wednesday, August 20, 2008				Sheet 9 of 18	Rev 1.0

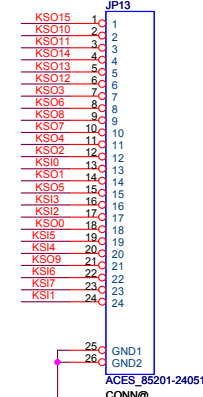
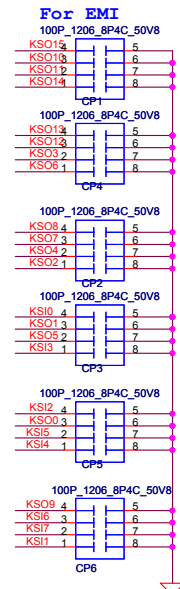


Security Classification	Compal Secret Data	
Issued Date	2008/05/30	Deciphered Date
		2011/05/30
THIS SHEET OF ENGINEERING DRAWING IS THE PROPRIETARY PROPERTY OF COMPAL ELECTRONICS, INC. AND CONTAINS CONFIDENTIAL AND TRADE SECRET INFORMATION. THIS SHEET MAY NOT BE TRANSFERRED FROM THE CUSTODY OF THE COMPETENT DIVISION OF R&D DEPARTMENT EXCEPT AS AUTHORIZED BY COMPAL ELECTRONICS, INC. NEITHER THIS SHEET NOR THE INFORMATION IT CONTAINS MAY BE USED BY OR DISCLOSED TO ANY THIRD PARTY WITHOUT PRIOR WRITTEN CONSENT OF COMPAL ELECTRONICS, INC.		

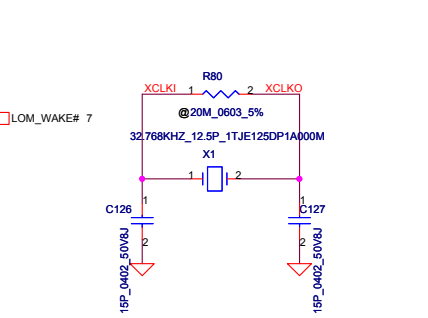
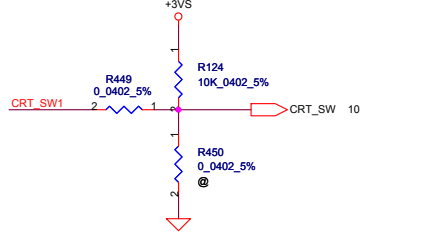
Title		Compal Electronics, Inc.	
		VGA BYPASS	
Size	Document Number	Date	Rev
Custom	Yao-Ming(Menlow)	Wednesday, August 20, 2008	1.0
Date:		Sheet	10 of 18



KEYBOARD CONN.



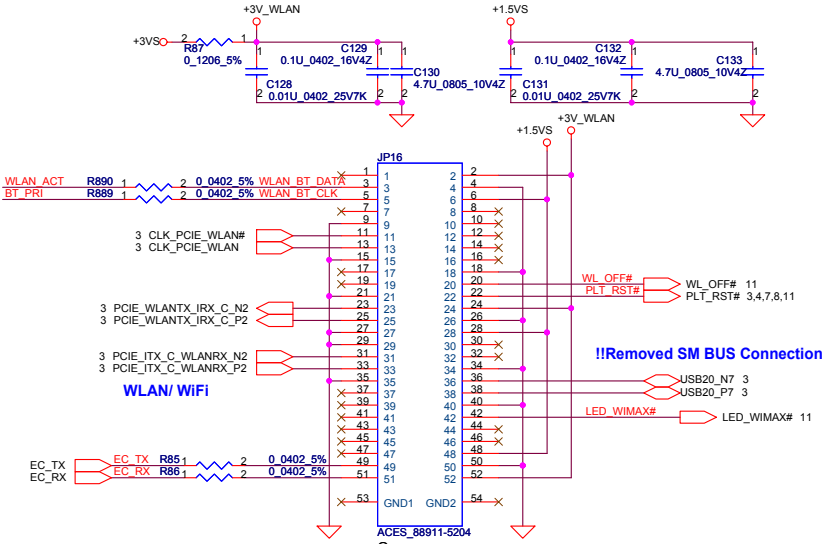
SP01000FF00 85201-24051 24P P1.0
ACES_85201-24051_24P



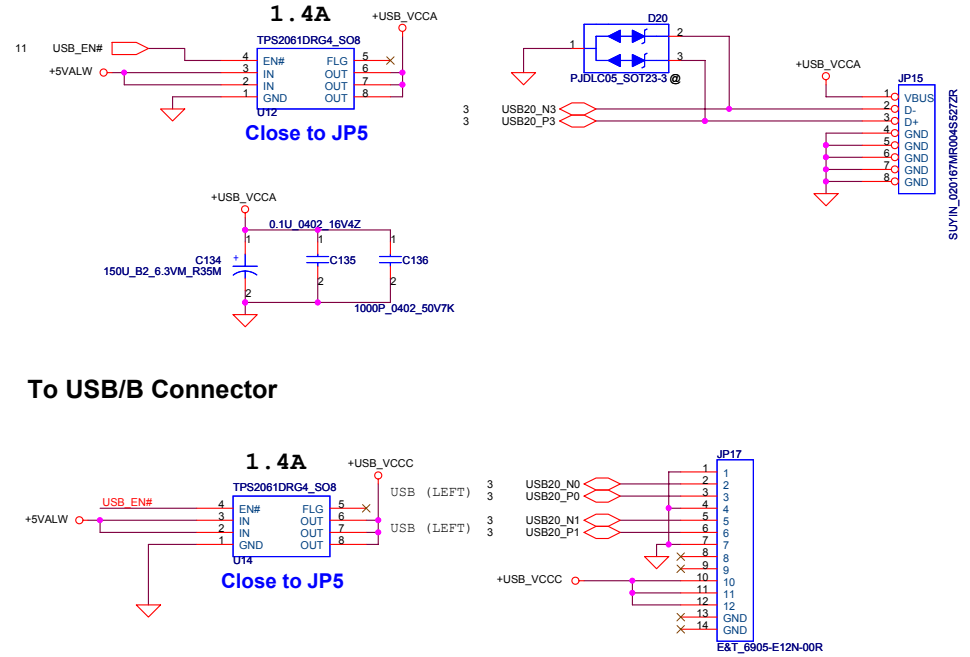
Security Classification	Compal Secret Data	
Issued Date	2008/05/30	Deciphered Date
		2011/05/30
THIS SHEET OF ENGINEERING DRAWING IS THE PROPRIETARY PROPERTY OF COMPAL ELECTRONICS, INC. AND CONTAINS CONFIDENTIAL AND TRADE SECRET INFORMATION. THIS SHEET MAY NOT BE TRANSFERRED FROM THE CUSTODY OF THE COMPETENT DIVISION OF R&D DEPARTMENT EXCEPT AS AUTHORIZED BY COMPAL ELECTRONICS, INC. NEITHER THIS SHEET NOR THE INFORMATION IT CONTAINS MAY BE USED BY OR DISCLOSED TO ANY THIRD PARTY WITHOUT PRIOR WRITTEN CONSENT OF COMPAL ELECTRONICS, INC.		

Compal Electronics, Inc.			
ENE-KB926/KB Conn			
Size	Document Number		Rev
Custom	Yao-Ming(Menlow)		1.0
Date:	Wednesday, August 20, 2008	Sheet	11 of 18

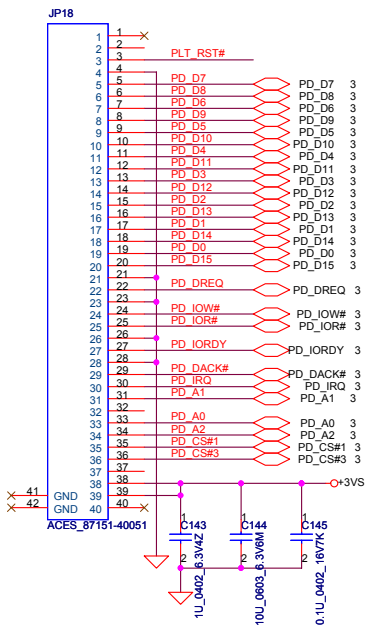
PCIe Mini Card for WLAN/WiMax



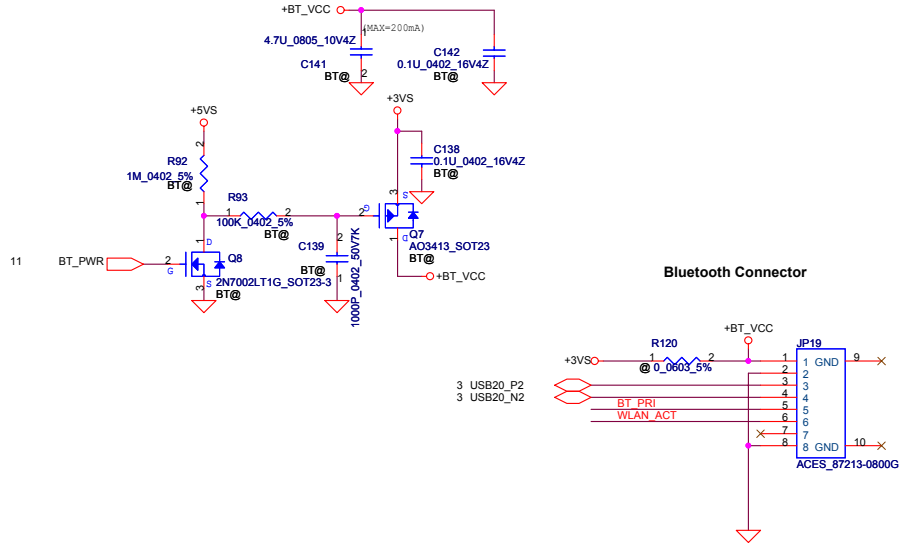
On Board USB/B Connector



PATA Connector

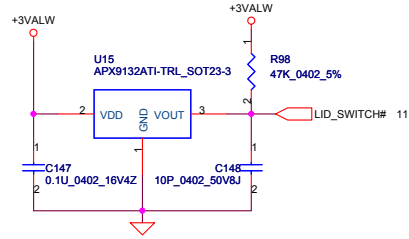


BlueTooth Interface

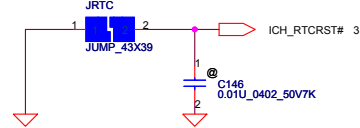


Security Classification		Compal Secret Data		Title	
Issued Date	2008/05/30	Deciphered Date	2011/05/30	Compal Electronics, Inc. WLAN/BT/PATA/USB_B	
<small>THIS SHEET OF ENGINEERING DRAWING IS THE PROPRIETARY PROPERTY OF COMPAL ELECTRONICS, INC. AND CONTAINS CONFIDENTIAL AND TRADE SECRET INFORMATION. THIS SHEET MAY NOT BE TRANSFERRED FROM THE CUSTODY OF THE COMPETENT DIVISION OF R&D DEPARTMENT EXCEPT AS AUTHORIZED BY COMPAL ELECTRONICS, INC. NEITHER THIS SHEET NOR THE INFORMATION IT CONTAINS MAY BE USED BY OR DISCLOSED TO ANY THIRD PARTY WITHOUT PRIOR WRITTEN CONSENT OF COMPAL ELECTRONICS, INC.</small>				Size Custort Yao-Ming(Menlow)	Document Number Rev 1.0
Date:	Wednesday, August 20, 2008	Sheet	12	of	18

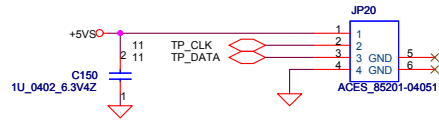
Lid SW



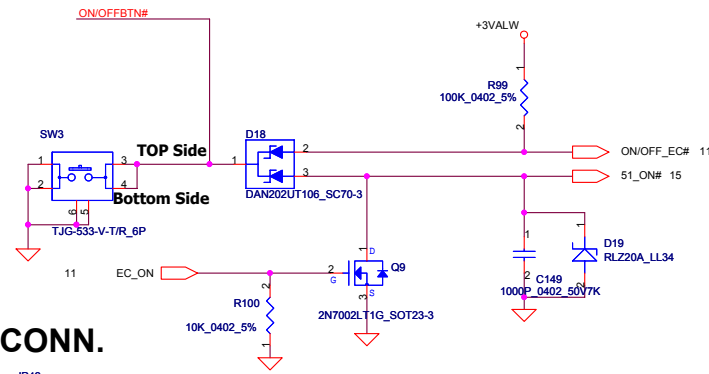
RTC Reset SW (Place under door)



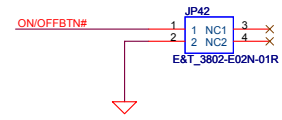
Touch/B Connector



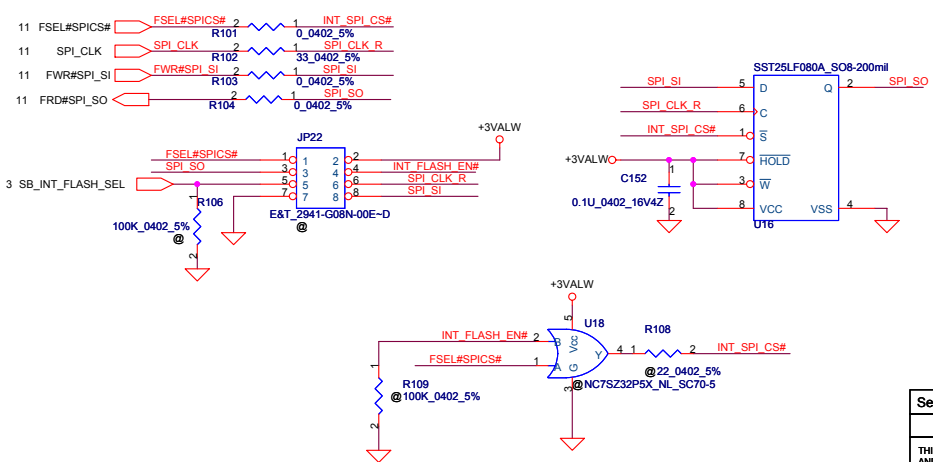
MB_Power On/Off SW



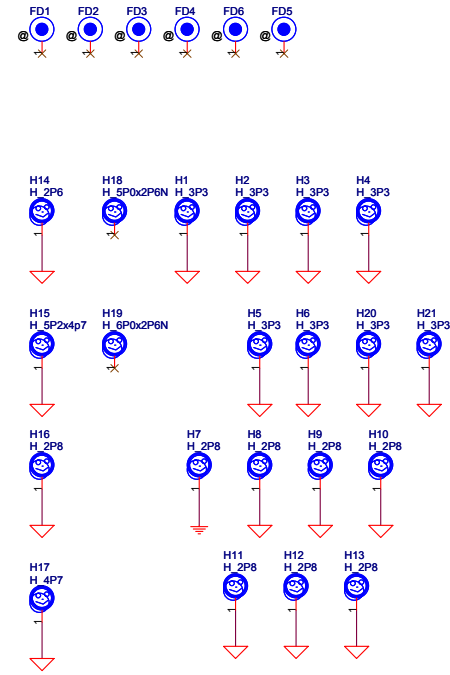
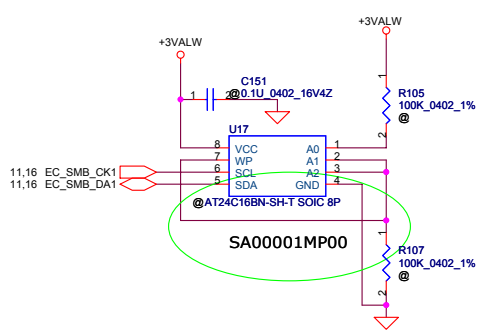
POWER/B CONN.



System SPI Flash ROM (8Mb)

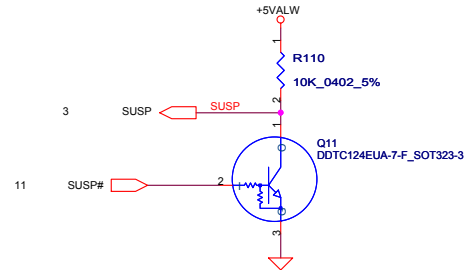
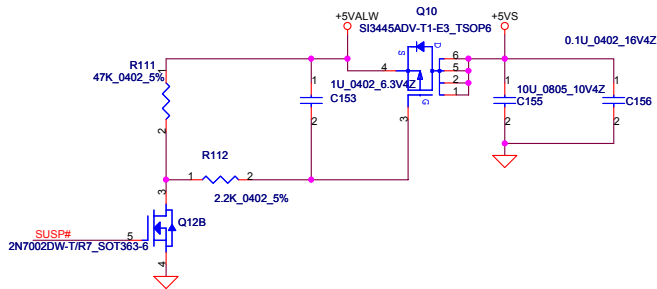


EC EEPROM

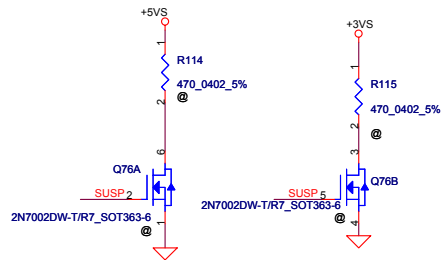
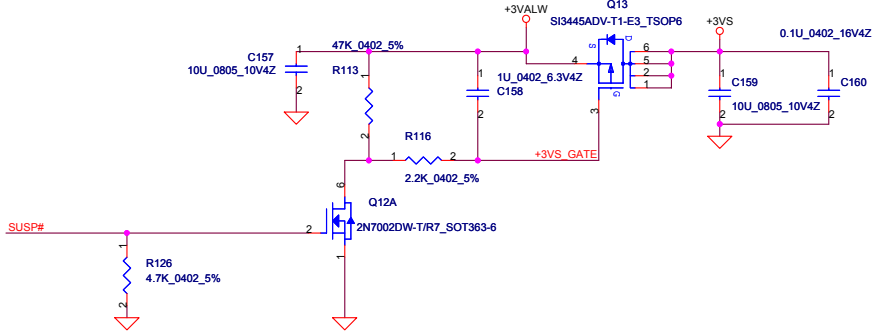


Security Classification		Compal Secret Data		Title	
Issued Date	2008/05/30	Deciphered Date	2011/05/30	Compal Electronics, Inc.	
				SW/ROM/TP/LID	
THIS SHEET OF ENGINEERING DRAWING IS THE PROPRIETARY PROPERTY OF COMPAL ELECTRONICS, INC. AND CONTAINS CONFIDENTIAL AND TRADE SECRET INFORMATION. THIS SHEET MAY NOT BE TRANSFERRED FROM THE CUSTODY OF THE COMPETENT DIVISION OF R&D DEPARTMENT EXCEPT AS AUTHORIZED BY COMPAL ELECTRONICS, INC. NEITHER THIS SHEET NOR THE INFORMATION IT CONTAINS MAY BE USED BY OR DISCLOSED TO ANY THIRD PARTY WITHOUT PRIOR WRITTEN CONSENT OF COMPAL ELECTRONICS, INC.				Size	Rev
				Custom	1.0
				Date:	Wednesday, August 20, 2008
				Sheet	13 of 18

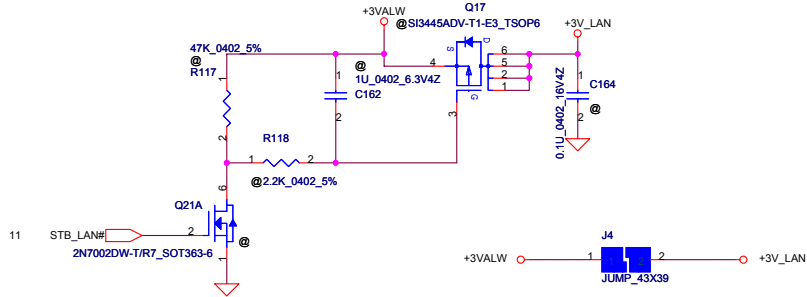
+5VALW to +5VS Transfer



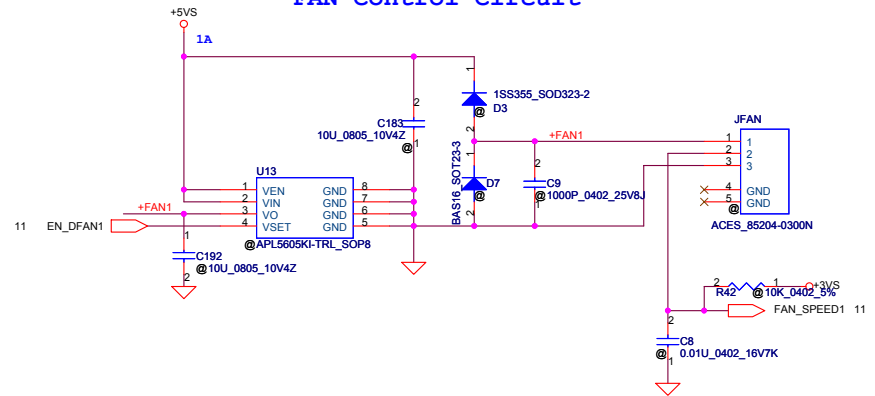
+3VALW to +3VS Transfer



+3VALW to +3V_LAN



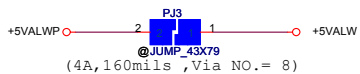
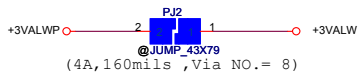
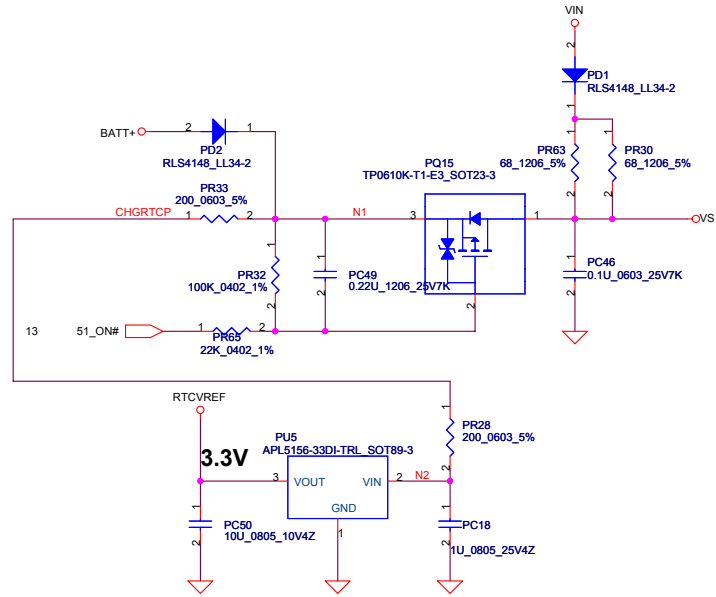
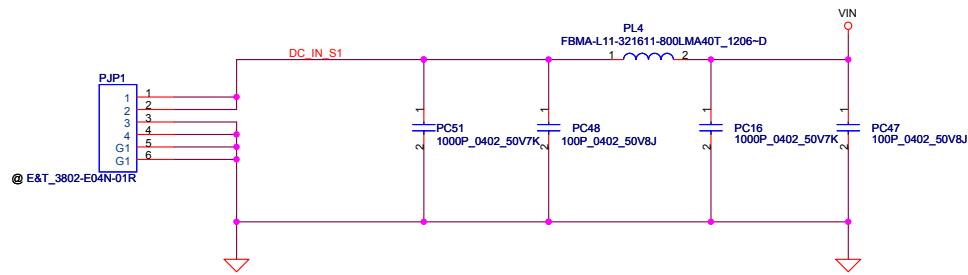
FAN Control Circuit



PRODUCT SUMMARY

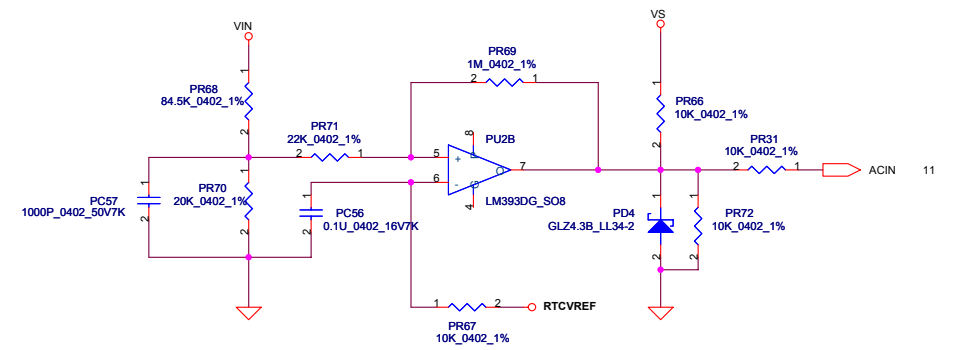
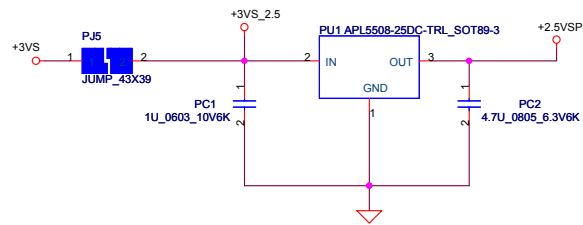
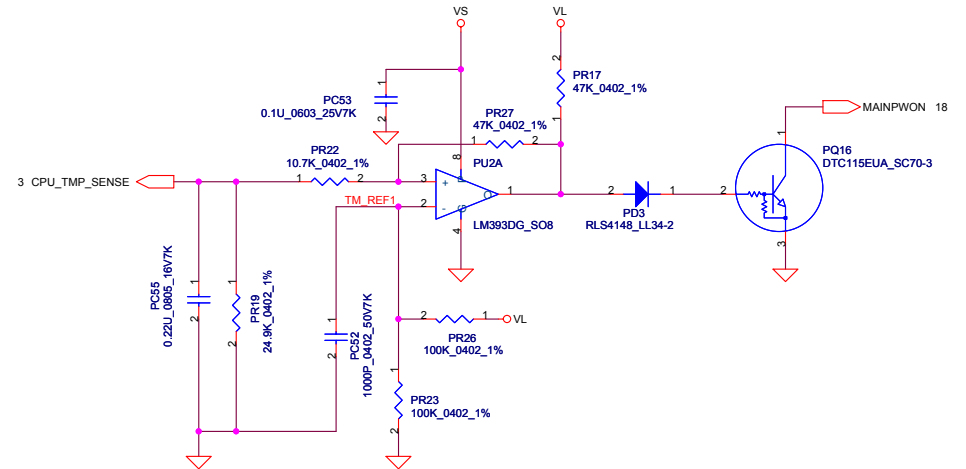
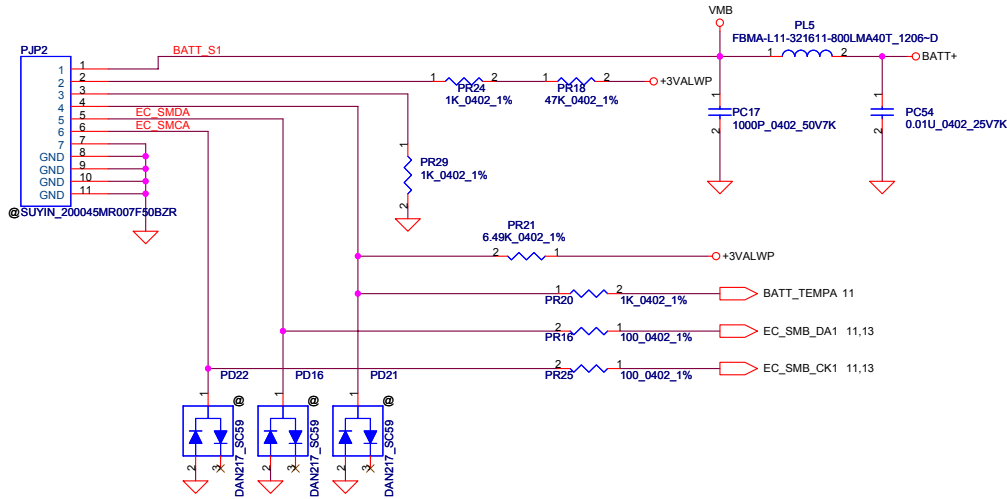
Vgs	rDS(on)	ID (A)
-8	0.042 @ VGS = .4.5 V	+-5.6
	0.060 @ VGS = .2.5 V	+-4.7
	0.080 @ VGS = .1.8 V	+-2.9

Security Classification		Compal Secret Data		Title	
Issued Date	2008/05/30	Deciphered Date	2011/05/30	Compal Electronics, Inc.	
				DC/DC Interface	
THIS SHEET OF ENGINEERING DRAWING IS THE PROPRIETARY PROPERTY OF COMPAL ELECTRONICS, INC. AND CONTAINS CONFIDENTIAL AND TRADE SECRET INFORMATION. THIS SHEET MAY NOT BE TRANSFERRED FROM THE CUSTODY OF THE COMPETENT DIVISION OF R&D DEPARTMENT EXCEPT AS AUTHORIZED BY COMPAL ELECTRONICS, INC. NEITHER THIS SHEET NOR THE INFORMATION IT CONTAINS MAY BE USED BY OR DISCLOSED TO ANY THIRD PARTY WITHOUT PRIOR WRITTEN CONSENT OF COMPAL ELECTRONICS, INC.				Size	Rev
				Custom	1.0
				Date:	Wednesday, August 20, 2008
				Sheet	14 of 18

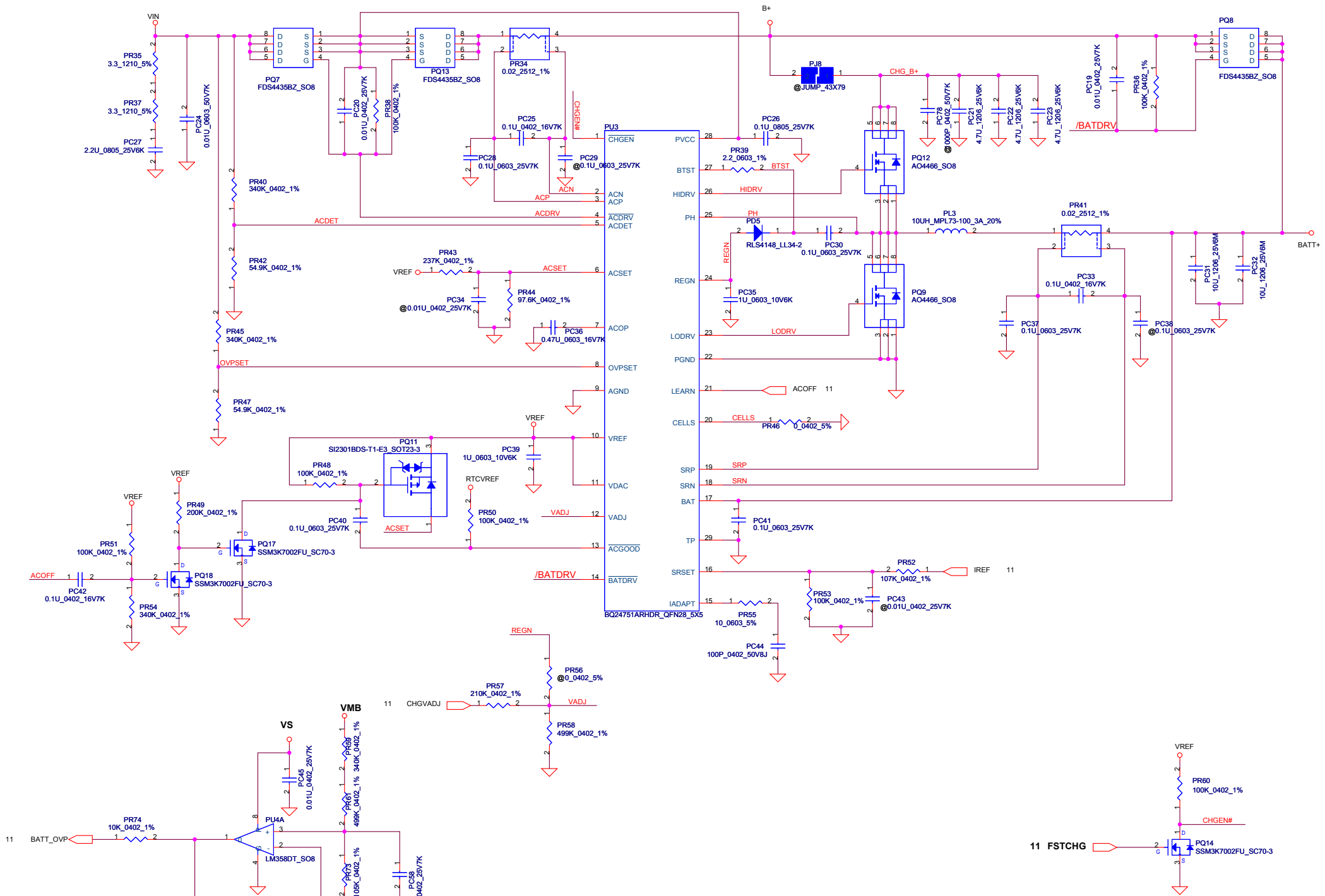


Security Classification	Compal Secret Data		Compal Electronics, Inc.	
Issued Date	2008/05/30	Deciphered Date	2011/05/30	Title
THIS SHEET OF ENGINEERING DRAWING IS THE PROPRIETARY PROPERTY OF COMPAL ELECTRONICS, INC. AND CONTAINS CONFIDENTIAL AND TRADE SECRET INFORMATION. THIS SHEET MAY NOT BE TRANSFERRED FROM THE CUSTODY OF THE COMPETENT DIVISION OF R&D DEPARTMENT EXCEPT AS AUTHORIZED BY COMPAL ELECTRONICS, INC. NEITHER THIS SHEET NOR THE INFORMATION IT CONTAINS MAY BE USED BY OR DISCLOSED TO ANY THIRD PARTY WITHOUT PRIOR WRITTEN CONSENT OF COMPAL ELECTRONICS, INC.				DCIN/DECTOR
Size	Document Number			Rev
Date: Wednesday, August 20, 2008	Sheet 15 of 18			1.0

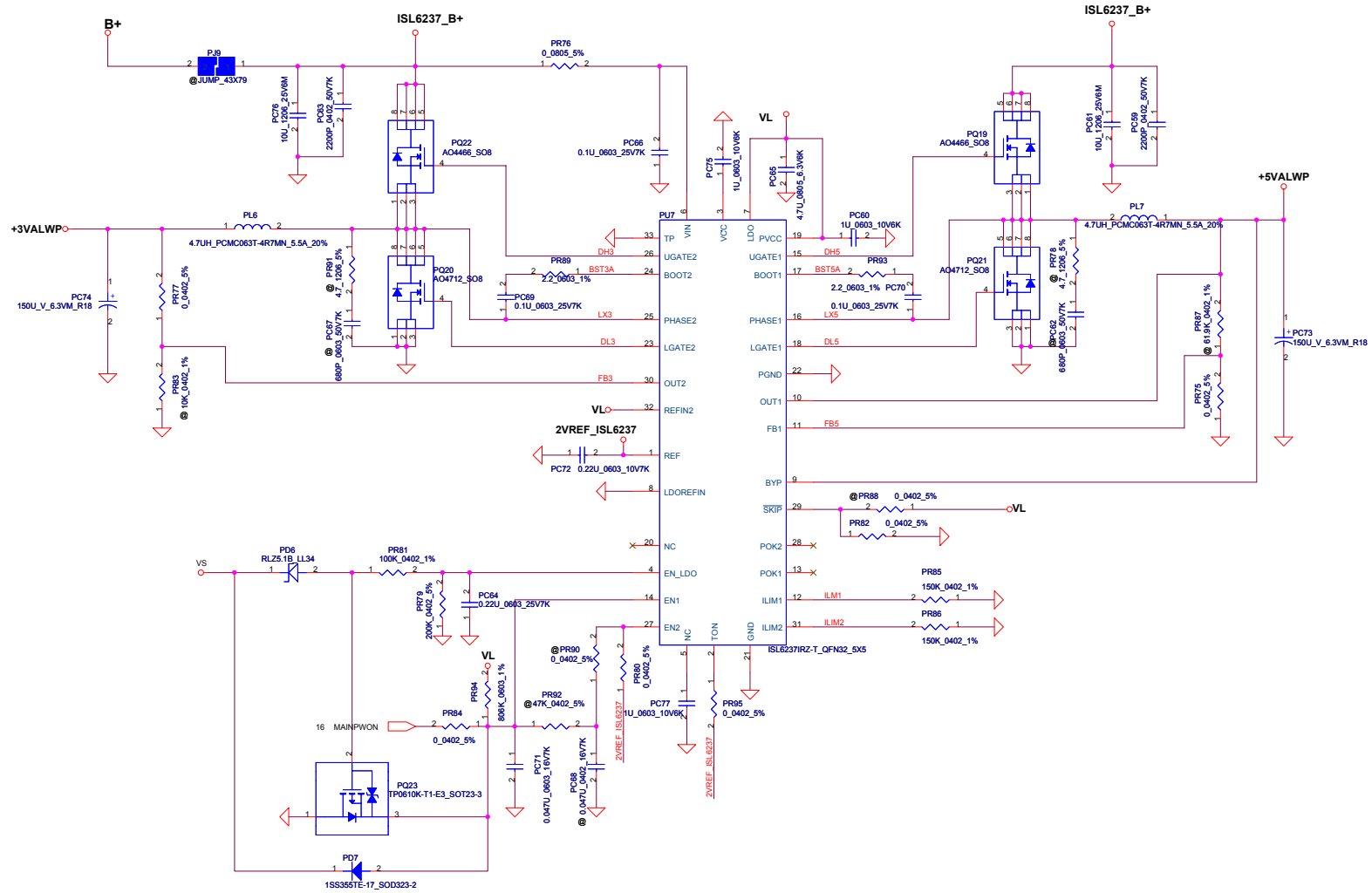
PH1 under CPU botten side :
 CPU thermal protection at 78 degree C
 Recovery at 42 degree C



Vin Detector		
High	18.384	17.901 17.430
Low	17.728	17.257 16.976



Security Classification		Compal Secret Data		Compal Electronics, Inc.	
Issued Date	2008/05/30	Deciphered Date	2011/05/30	Title	CHARGER
THIS SHEET OF ENGINEERING DRAWING IS THE PROPRIETARY PROPERTY OF COMPAL ELECTRONICS, INC. AND CONTAINS CONFIDENTIAL AND TRADE SECRET INFORMATION. THIS SHEET MAY NOT BE TRANSFERRED FROM THE CUSTODY OF THE COMPETENT DIVISION OF R&D DEPARTMENT EXCEPT AS AUTHORIZED BY COMPAL ELECTRONICS, INC. NEITHER THIS SHEET NOR THE INFORMATION IT CONTAINS MAY BE USED BY OR DISCLOSED TO ANY THIRD PARTY WITHOUT PRIOR WRITTEN CONSENT OF COMPAL ELECTRONICS, INC.					
Size	Document Number				Rev
Date:	Wednesday, August 20, 2008	Sheet	17	of	18



Security Classification		Compal Secret Data		Title	
Issued Date	2008/05/30	Deciphered Date	2011/05/30	+3VALWP/+5VALWP	
THIS SHEET OF ENGINEERING DRAWING IS THE PROPRIETARY PROPERTY OF COMPAL ELECTRONICS, INC. AND CONTAINS CONFIDENTIAL AND TRADE SECRET INFORMATION. THIS SHEET MAY NOT BE TRANSFERRED FROM THE CUSTODY OF THE COMPETENT DIVISION OF R&D DEPARTMENT EXCEPT AS AUTHORIZED BY COMPAL ELECTRONICS, INC. NEITHER THIS SHEET NOR THE INFORMATION IT CONTAINS MAY BE USED BY OR DISCLOSED TO ANY THIRD PARTY WITHOUT PRIOR WRITTEN CONSENT OF COMPAL ELECTRONICS, INC.					
Size	Document Number	Yao-Ming(Menlow)		Rev	1.0
Date:	Wednesday, August 20, 2008	Sheet	18	of	18