

Cheela 2.0

Pre-MV

2007.06.15

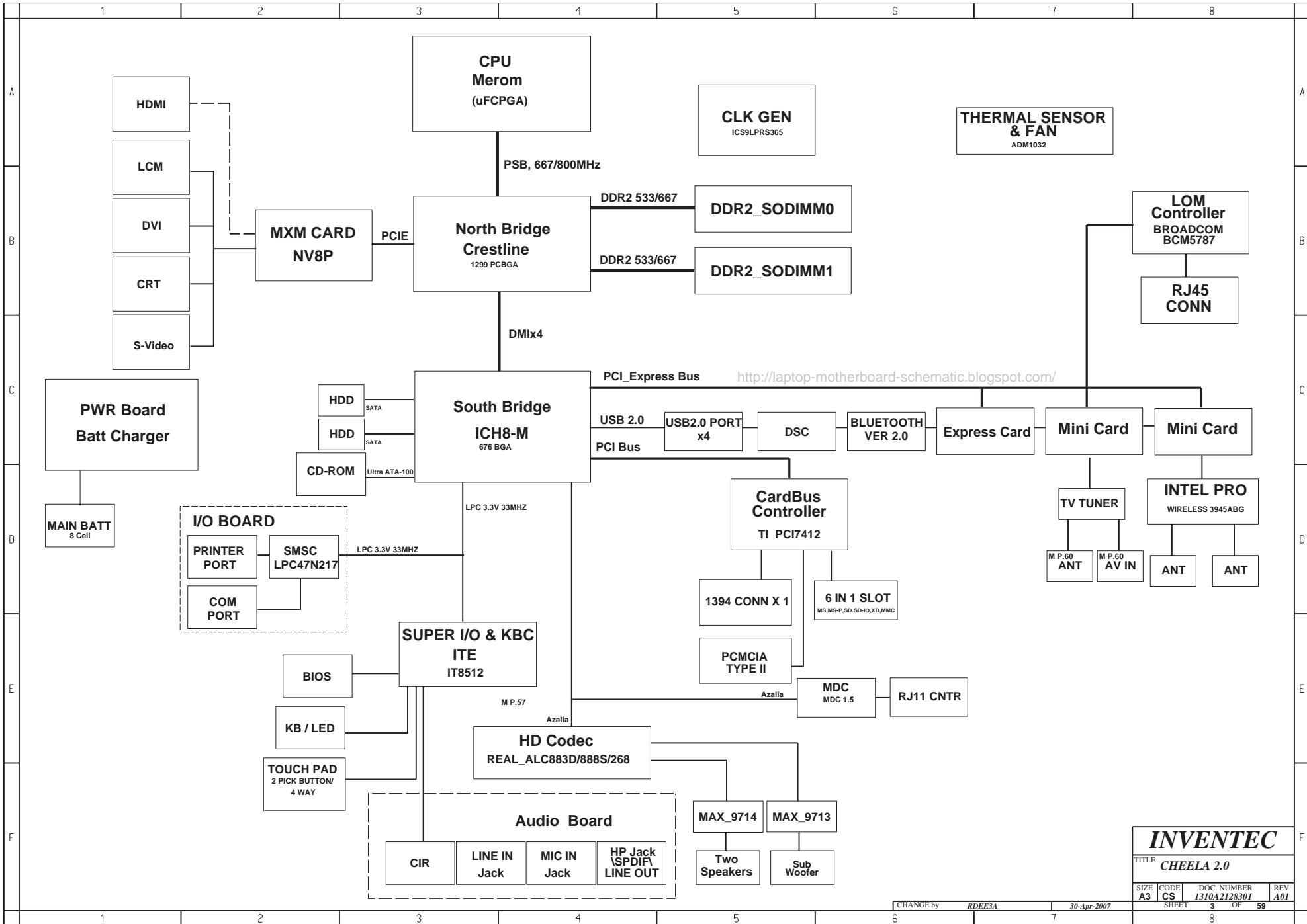
DATE	CHANGE NO.	REV

DRAWER	EE	DATE	POWER	DATE	INVENTEC				
DESIGN					TITLE				
CHECK					CHEELA 2.0				
RESPONSIBLE									
SIZE =	3			VER :	SIZE	CODE	DOC. NUMBER	REV	
FILE NAME :	XXXX-XXXXXX-XX				A3	CS	1310A2128301	A01	
P/N	XXXXXXXXXXXX				SHEET		1	OF	59

TABLE OF CONTENTS

PAGE	PAGE	PAGE
MAINBOARD		I/O BOARD
1.COVER PAGE	41.6 IN 1 CARD SLOT	1.USB CONN
2.INDEX	42.1394 CONTROLLER	2.MDC CONN
3.BLOCK DIAGRAM	43.LAN CONTROLLER	3.PRT & COM PORT CONN
4.POWER SEQUENCE BLOCK	44.RJ45 & TRANSFORMER	AUDIO BOARD
5-12.SYSTEM POWER	45.MINI CARD CONN	1.IR/CIR
13.CLOCK GENERATOR	46.RAID CONTROLLER	2.AUDIO JACKS
14-17.CPU Merom	47.ODD & HDD CONN	3.BT&WIRELESS SW
18.FAN & THERMAL CONTROLLER	48.USB CONN	
19-25.N/B Calistoga	49.BLUE TOOTH CONN	
26.DDR2 DIMM0	50.KBC	
27.DDR2 DIMM1	51.SUPER I/O(FIR)	
28.DDR DAMPING	52.CODEC	
29.MXM CONN	53.AUDIO AMP	
30.CRT CONN	54.TV CONN & DC IN	
31.SVIDEO & HDMI & DVI CONN	55.SCREW	
32.LCD CONN	56.TO OTHER BOARD CONN	
33-37.S/B ICH8	57.HOTKEY BOARD	
38.ROBSON TECH	58.MEDIA BOARD	
39.CARDBUS CONTROLLER	59.TOUCH PAD BUTTON BOARD	
40.PCMCIA & EXPRESS CARD		

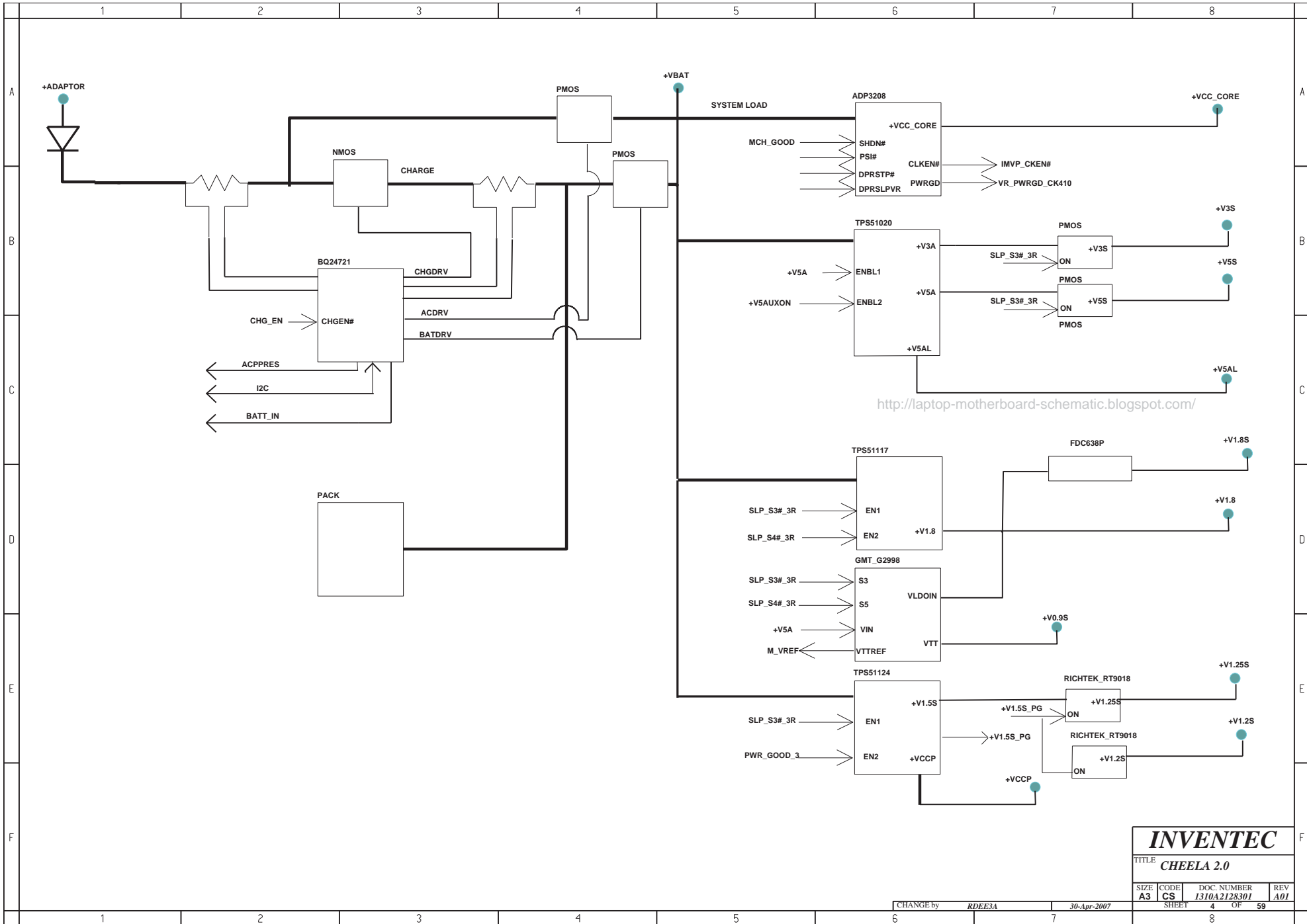
INVENTEC			
TITLE CHEELA 2.0			
SIZE A3	CODE CS	DOC. NUMBER 1310A2128301	REV A01
CHANGE by RDEE3A		30-Apr-2007	
SHEET		2	OF 59



INVENTEC

TITLE **CHEELA 2.0**

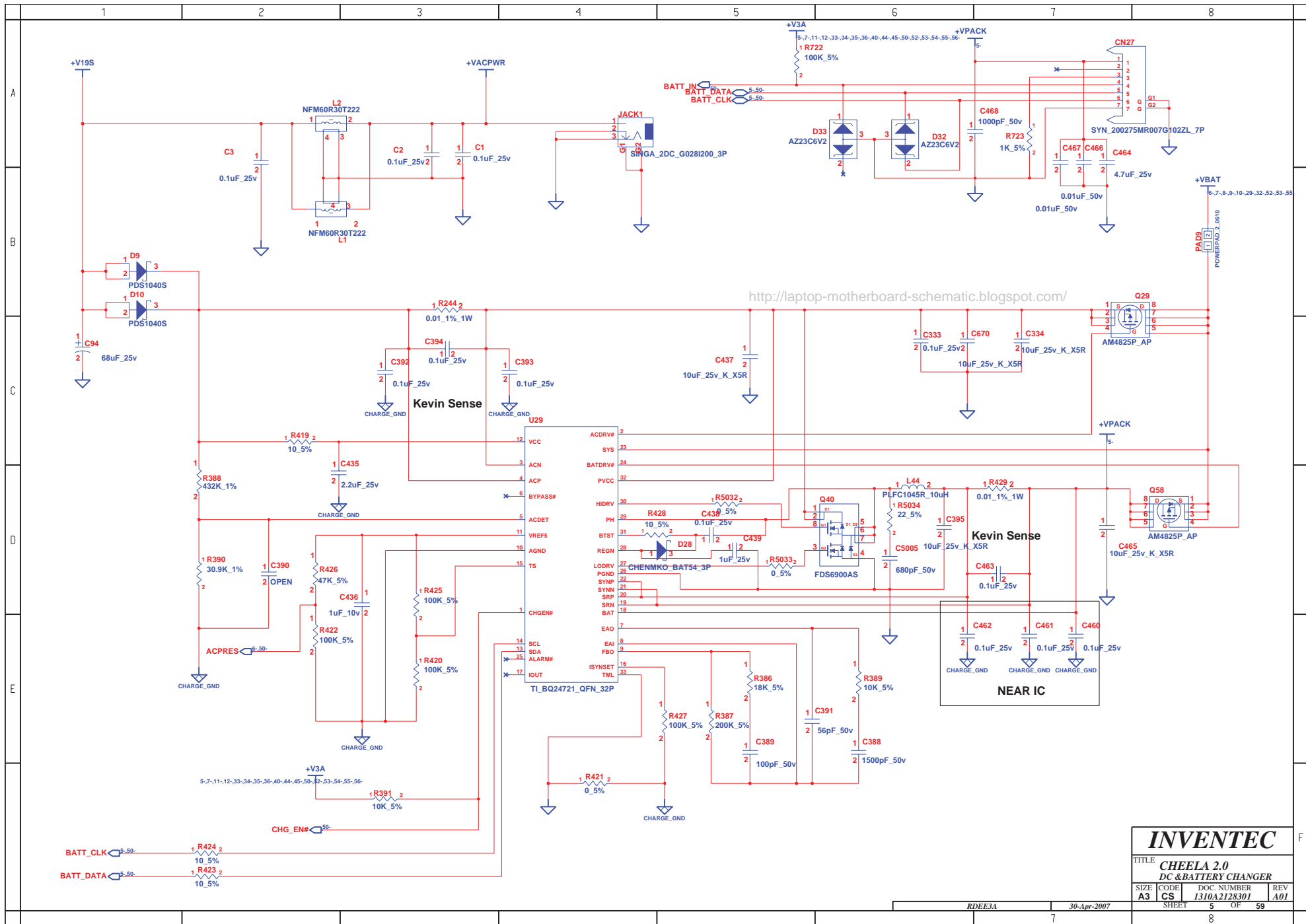
SIZE A3	CODE CS	DOC. NUMBER 1310A2128301	REV A01
------------	------------	-----------------------------	------------



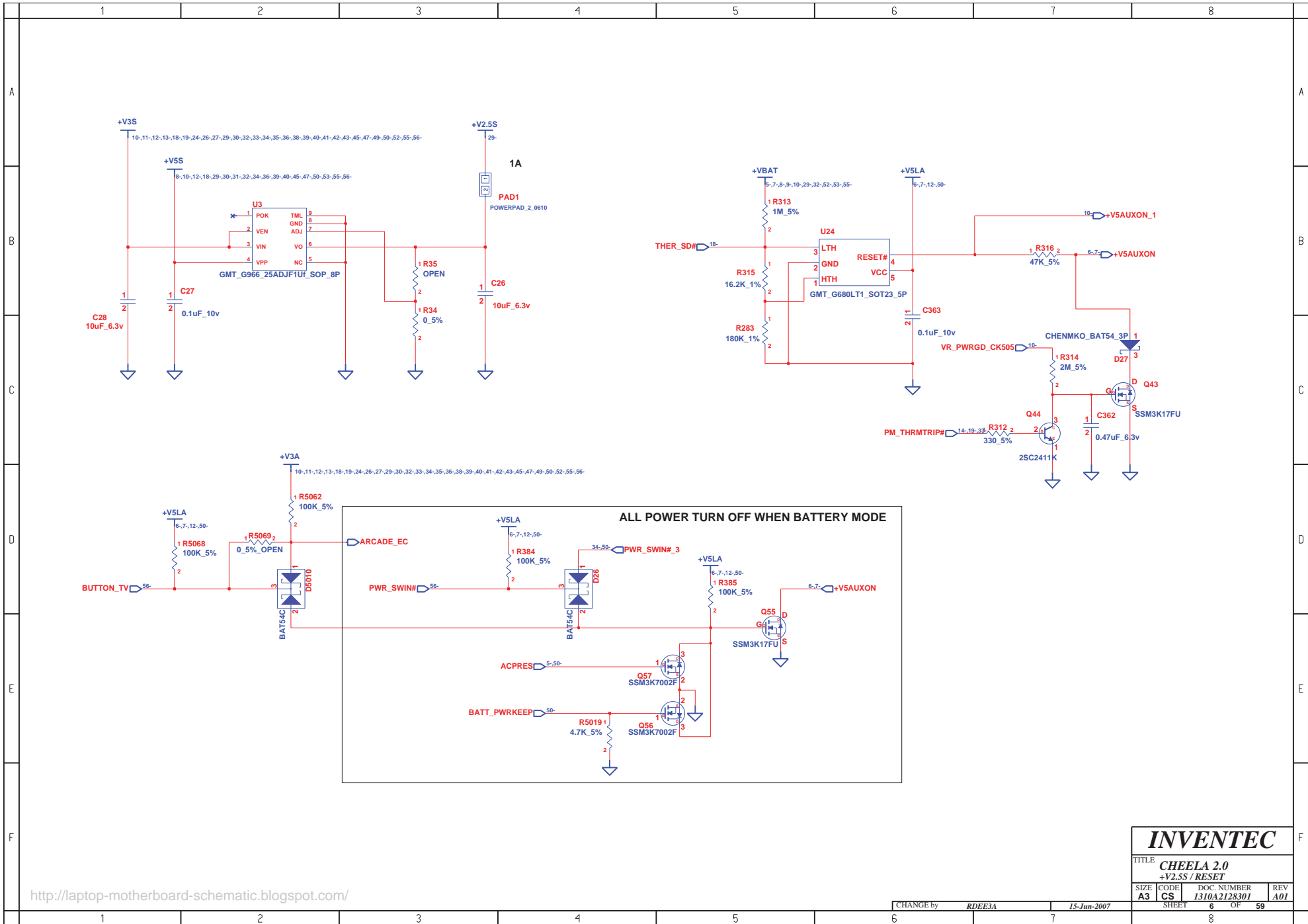
INVENTEC

TITLE
CHEELA 2.0

SIZE A3	CODE CS	DOC. NUMBER 1310A2128301	REV A01
-------------------	-------------------	------------------------------------	-------------------



INVENTEC			
TITLE CHEELA 2.0 DC & BATTERY CHANGER			
SIZE A3	CODE CS	DOC. NUMBER 1310A2128301	REV A01
RDEE3A		30-Apr-2007	
7		SHEET 5 OF 59	



<http://laptop-motherboard-schematic.blogspot.com/>

INVENTEC

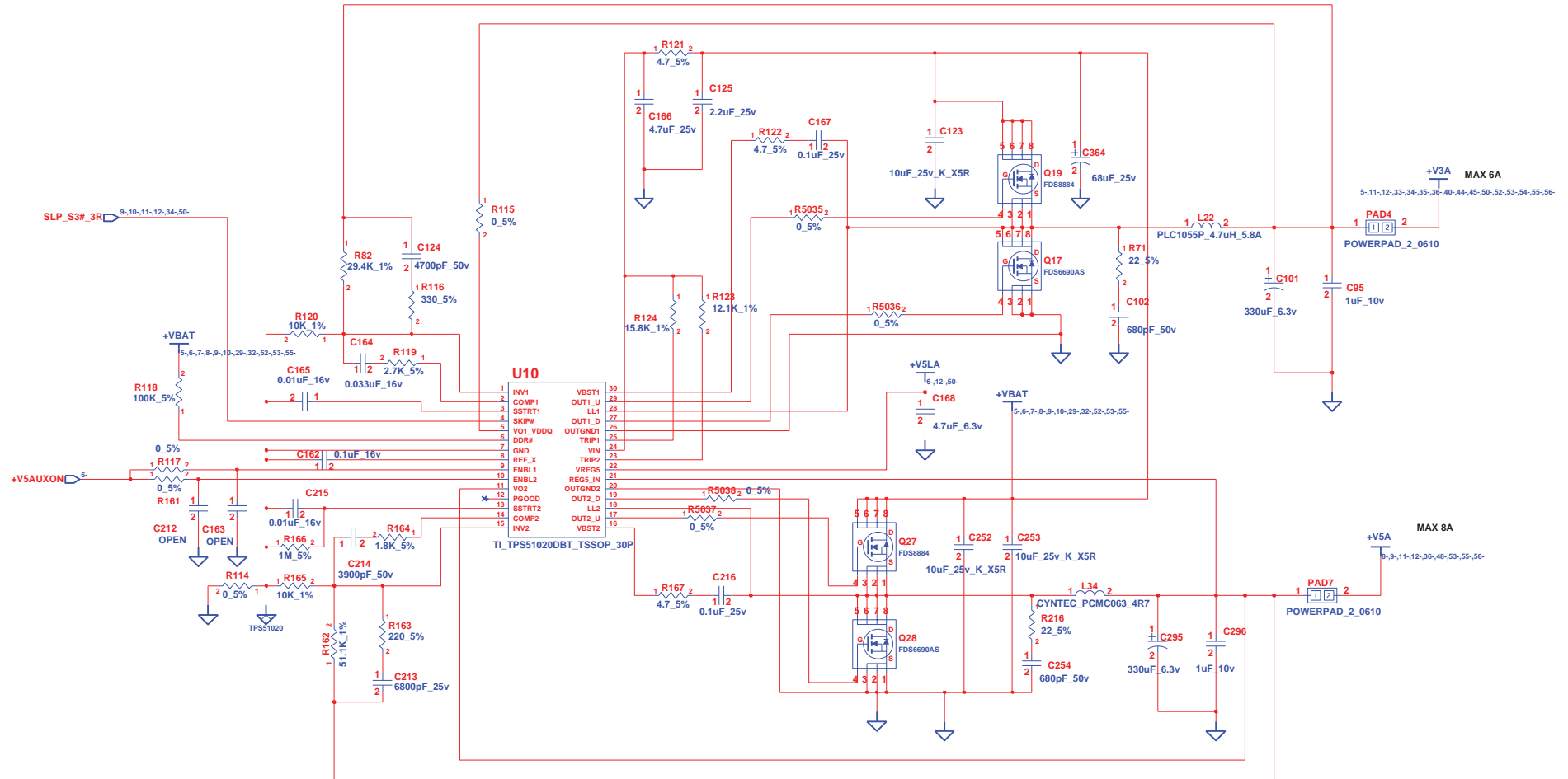
TITLE
CHEELA 2.0
+V2.5S / RESET

SIZE A3	CODE CS	DOC. NUMBER 1310A2128301	REV A01
------------	------------	-----------------------------	------------

CHANGE by RDEE3A

15-Jun-2007

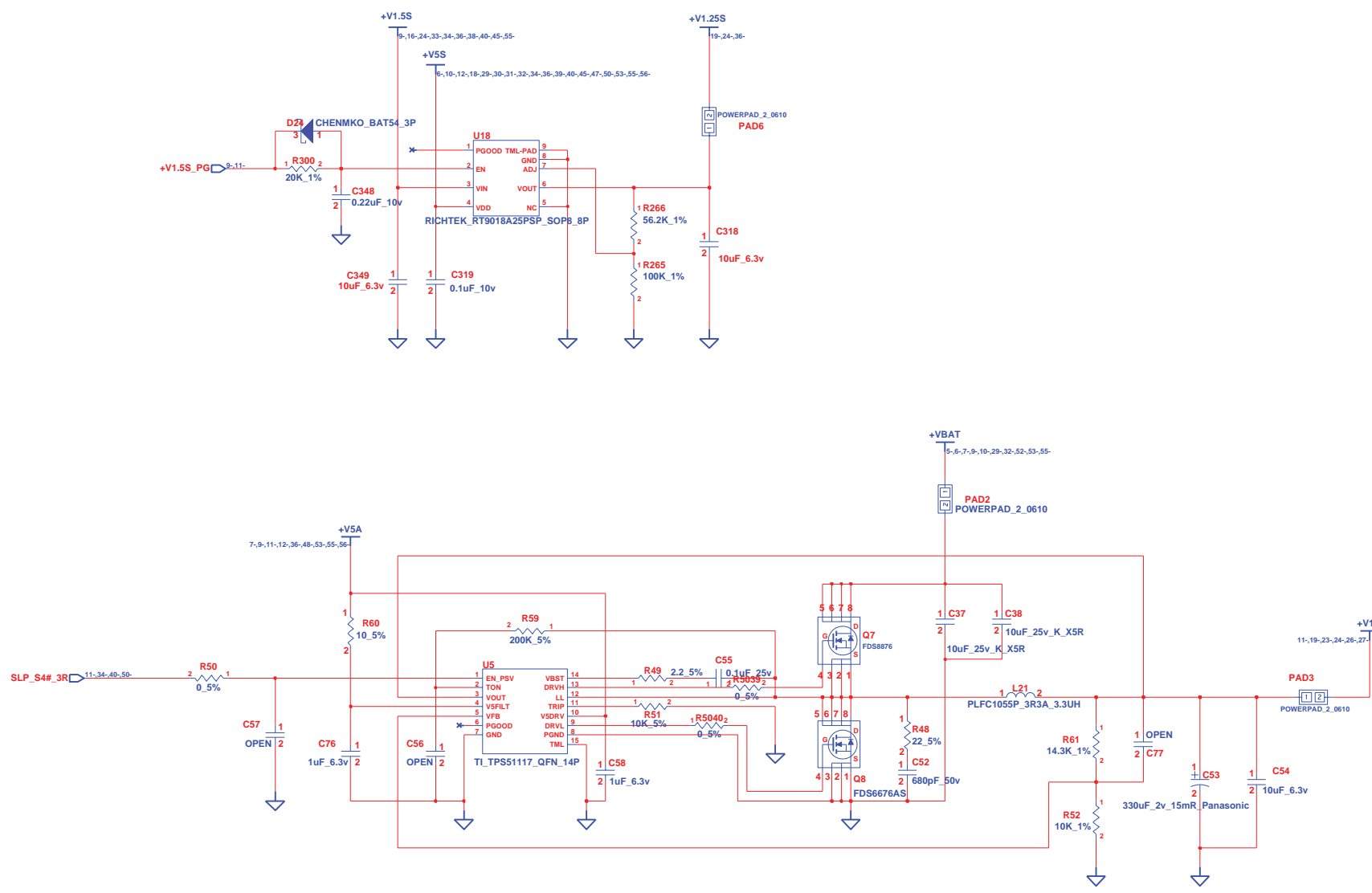
SHEET 6 OF 59



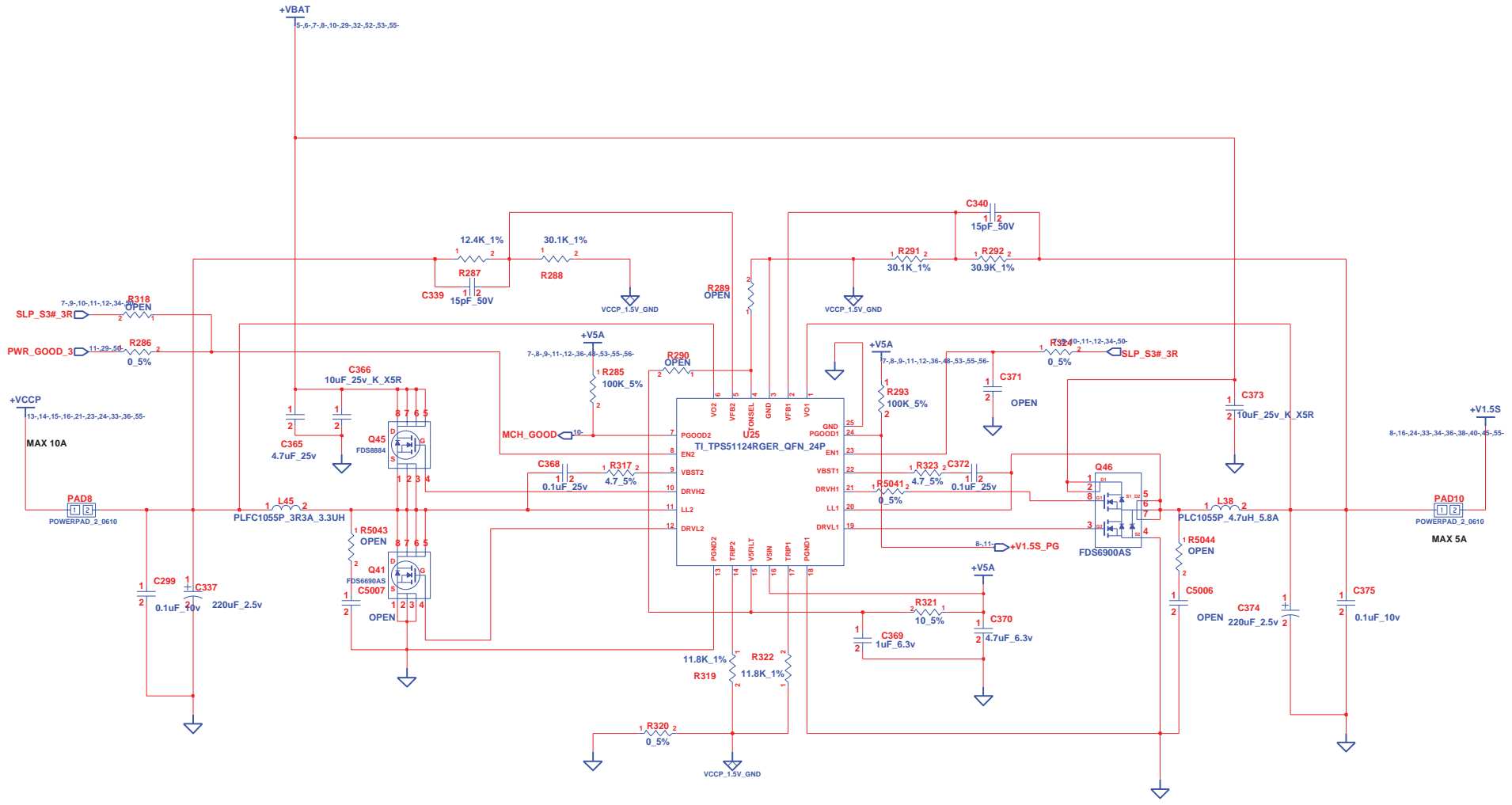
U10

1	INV1	30	VBST1
2	COMP1	29	OUT1_U
3	SSTR1	28	LL1
4	SKIP#	27	OUT1_D
5	VO1_VDDQ	26	26
6	DDR#	25	TRIP1
7	GND	24	VIN
8	REF_X	23	23
9	ENBL1	22	22
10	ENBL2	21	VREGS
11	VO2	20	REGS_IN
12	PGOOD	19	OUT2_D
13	SSTR2	18	LL2
14	COMP2	17	OUT2_U
15	INV2	16	VBST2

INVENTEC			
TITLE CHEELA 2.0 SYSTEM POWER(+V3A/+V5A)			
SIZE A3	CODE CS	DOC. NUMBER 1310A2128301	REV A01



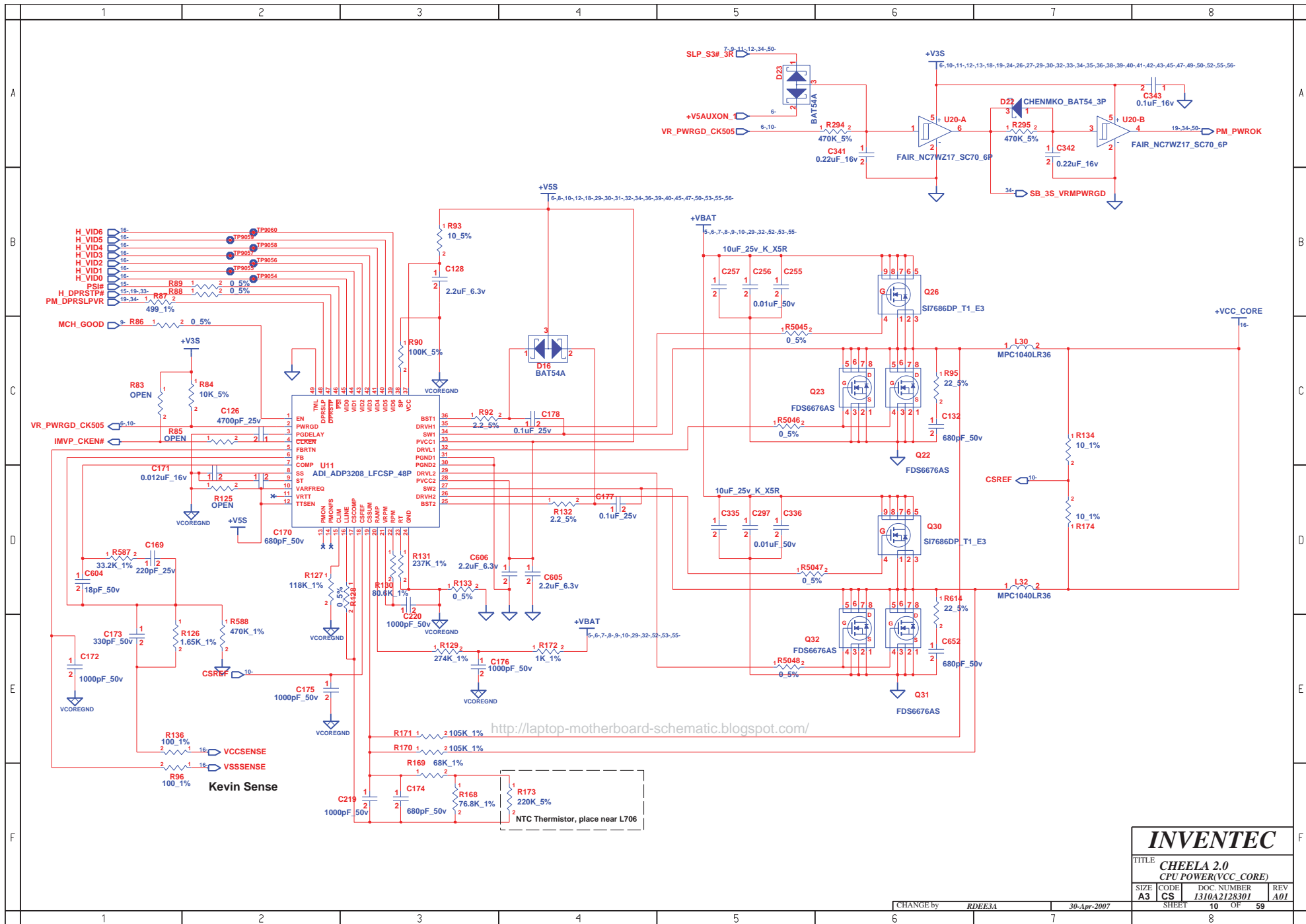
INVENTEC			
TITLE CHEELA 2.0			
SYSTEM POWER (+V1.8 / +V1.25S)			
SIZE A3	CODE CS	DOC. NUMBER 1310A2128301	REV A01



INVENTEC

TITLE CHEELA 2.0
SYSTEM POWER(+V1.5S / +VCCP)

SIZE A3	CODE CS	DOC. NUMBER 1310A2128301	REV A01
------------	------------	-----------------------------	------------



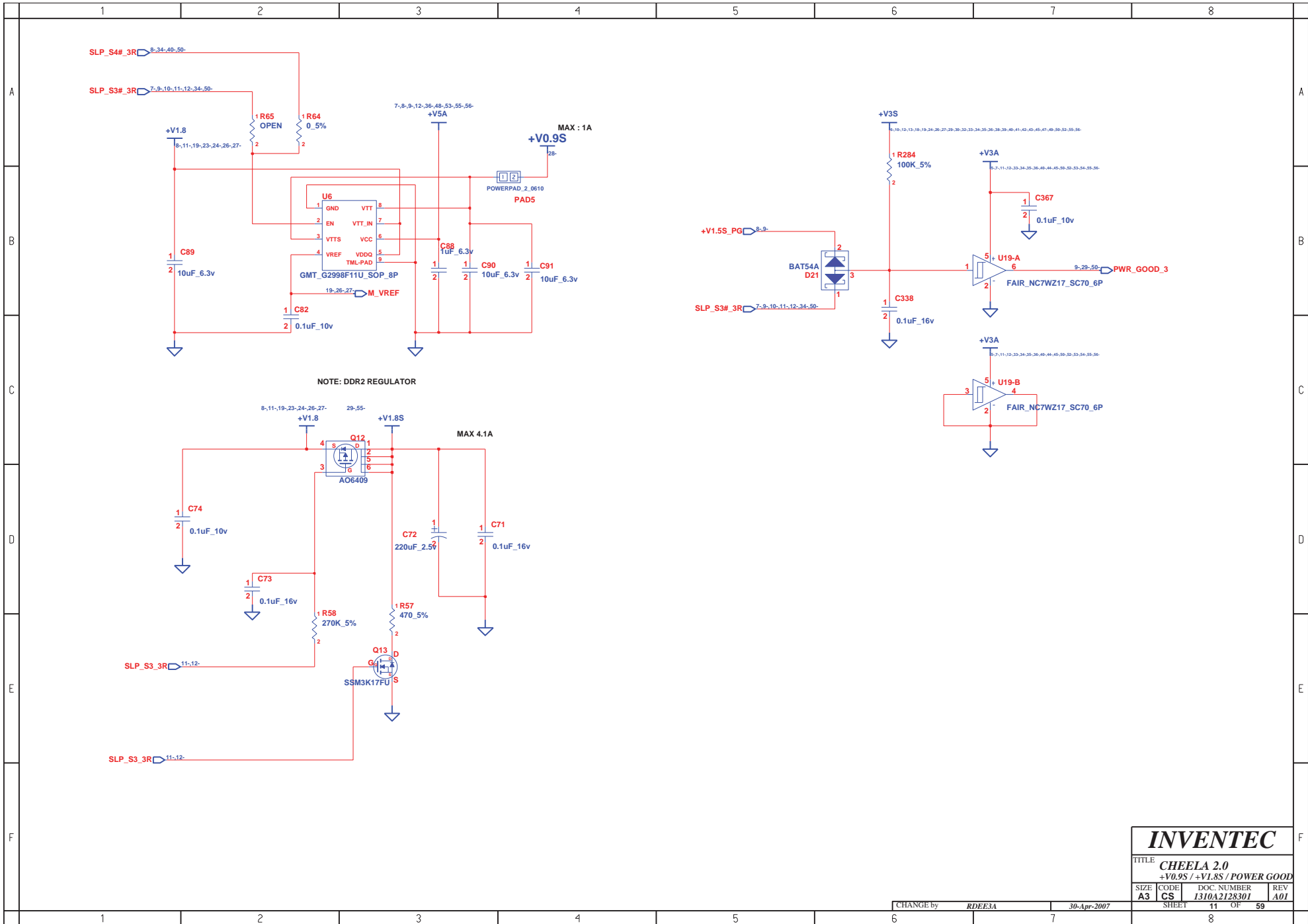
<http://laptop-motherboard-schematic.blogspot.com/>

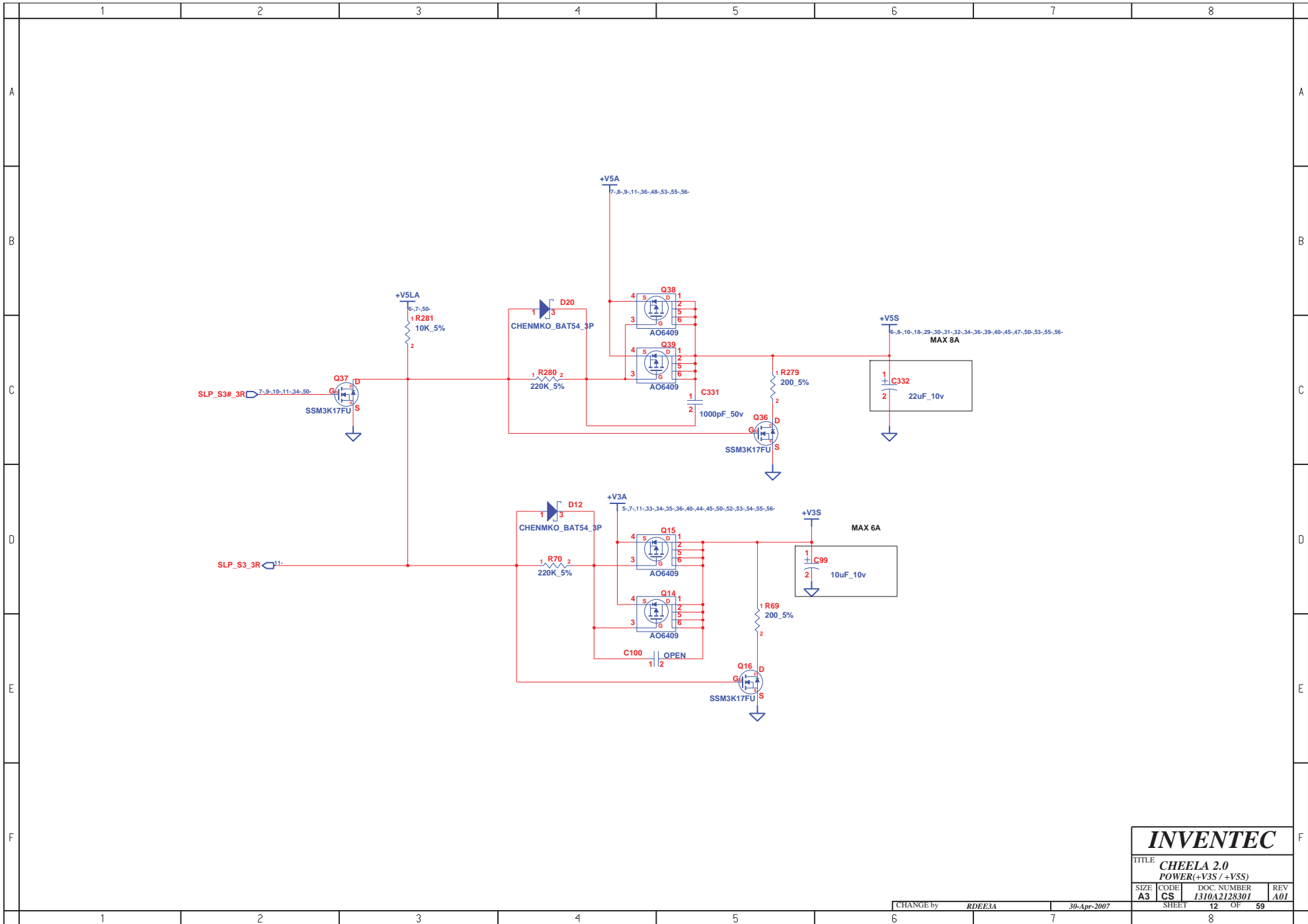
Kevin Sense

NTC Thermistor, place near L706

INVENTEC

TITLE			
CHEELA 2.0			
CPU POWER(VCC_CORE)			
SIZE	CODE	DOC. NUMBER	REV
A3	CS	1310A2128301	A01

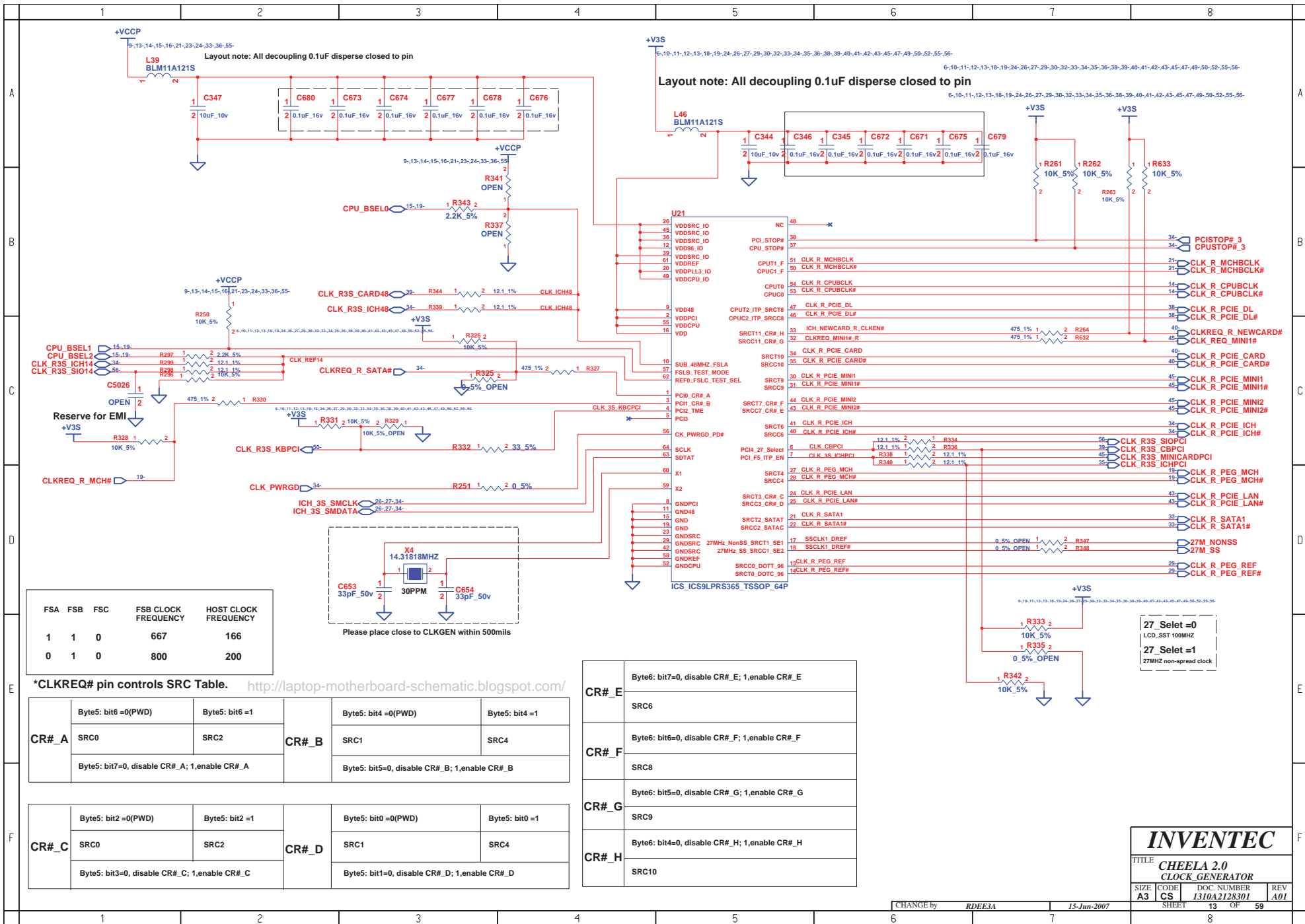




INVENTEC

TITLE			
CHEELA 2.0			
POWER(+V3S / +V5S)			
SIZE	CODE	DOC. NUMBER	REV
A3	CS	1310A2128301	A01

CHANGE by	RDEE3A	30-Apr-2007	SHEET	12	OF	59
-----------	--------	-------------	-------	----	----	----



FSA	FSB	FSC	FSB CLOCK FREQUENCY	HOST CLOCK FREQUENCY
1	1	0	667	166
0	1	0	800	200

*CLKREQ# pin controls SRC Table. <http://laptop-motherboard-schematic.blogspot.com/>

CR#_A	Byte5: bit6 =0(PWD)		Byte5: bit6 =1	
	SRC0	SRC2	SRC1	SRC4
	Byte5: bit7=0, disable CR#_A; 1,enable CR#_A		Byte5: bit5=0, disable CR#_B; 1,enable CR#_B	

CR#_C	Byte5: bit2 =0(PWD)		Byte5: bit2 =1	
	SRC0	SRC2	SRC1	SRC4
	Byte5: bit3=0, disable CR#_C; 1,enable CR#_C		Byte5: bit1=0, disable CR#_D; 1,enable CR#_D	

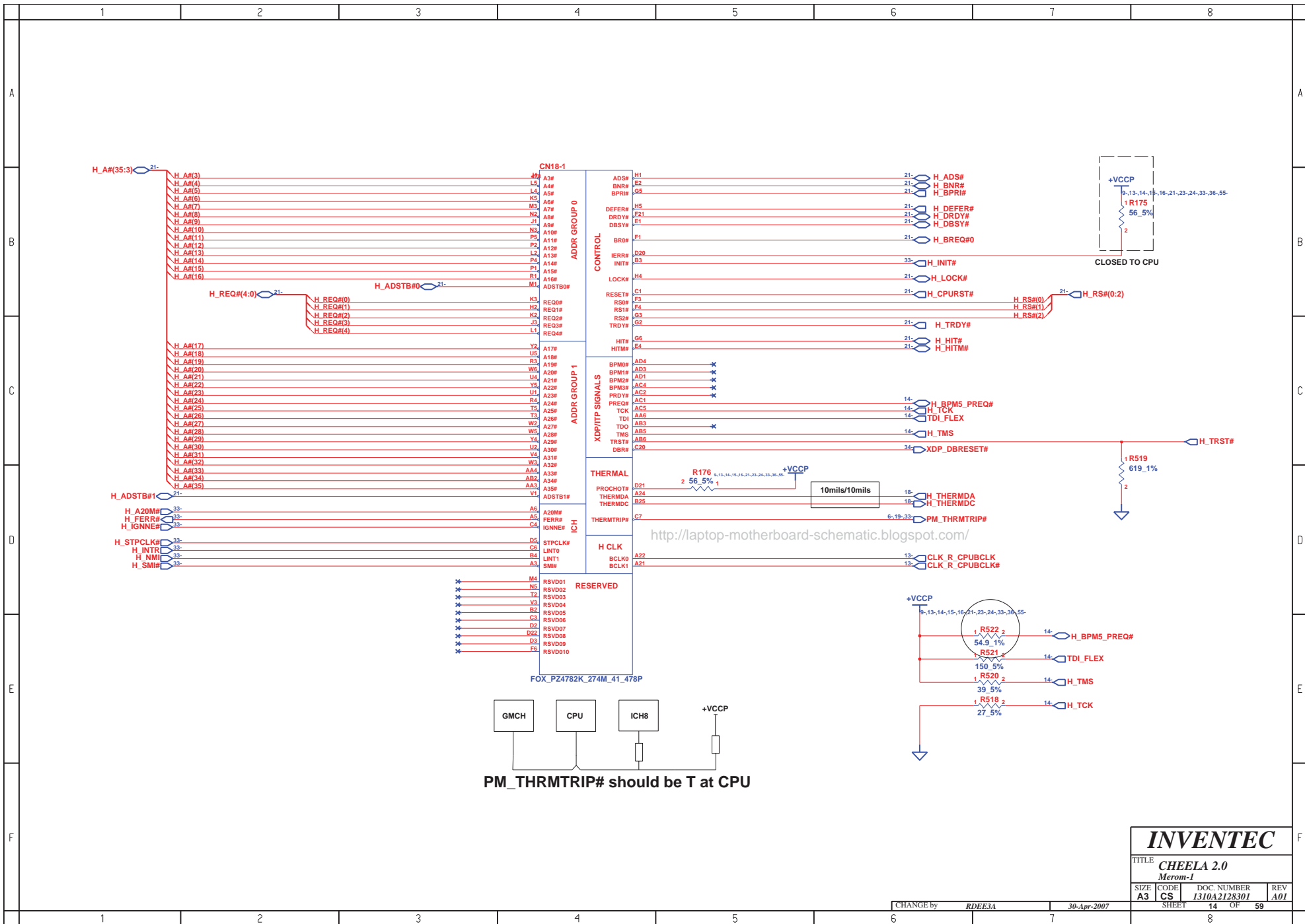
CR#_E	Byte6: bit7=0, disable CR#_E; 1,enable CR#_E
SRC6	
CR#_F	Byte6: bit6=0, disable CR#_F; 1,enable CR#_F
SRC8	
CR#_G	Byte6: bit5=0, disable CR#_G; 1,enable CR#_G
SRC9	
CR#_H	Byte6: bit4=0, disable CR#_H; 1,enable CR#_H
SRC10	

INVENTEC

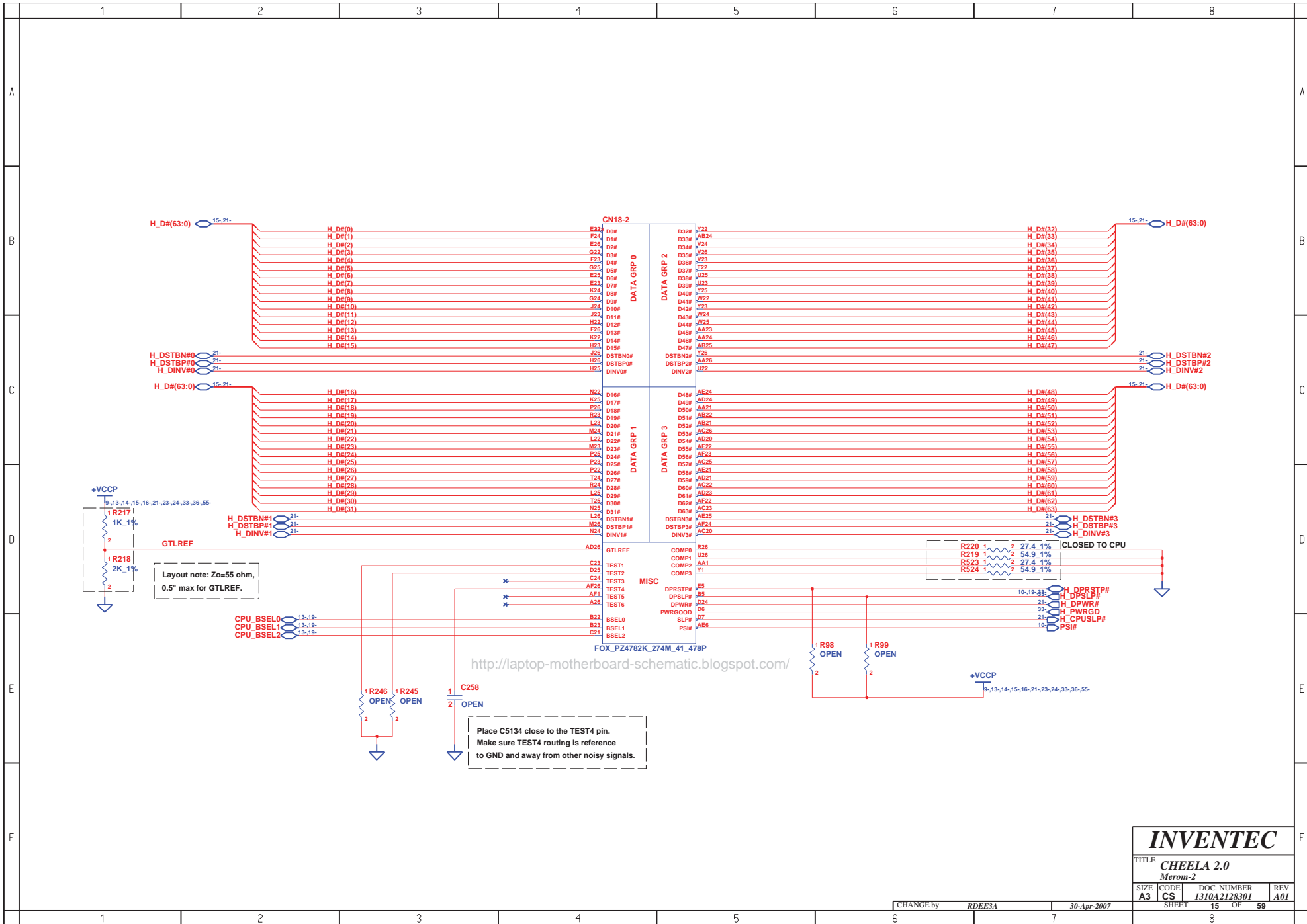
TITLE: CHEELA 2.0
CLOCK GENERATOR

SIZE A3	CODE CS	DOC NUMBER 1310A2128301	REV A01
---------	---------	-------------------------	---------

CHANGE by RDEE3A 15-Jun-2007 SHEET 13 OF 59



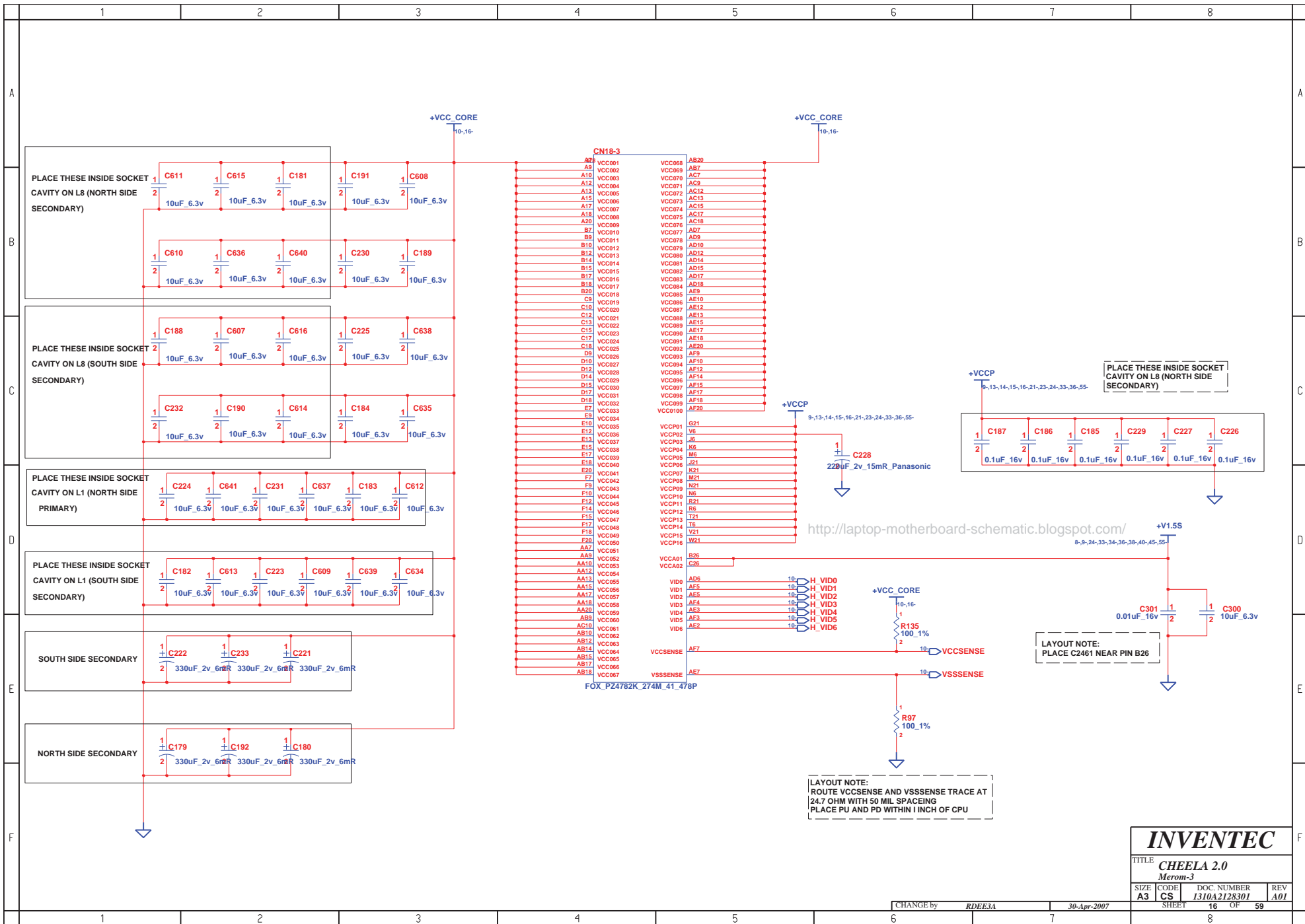
INVENTEC			
TITLE CHEELA 2.0			
Merom-1			
SIZE	CODE	DOC. NUMBER	REV
A3	CS	1310A2128301	A01
CHANGE by		RDEE3A	30-Apr-2007
SHEET		14	OF 59



INVENTEC

TITLE **CHEELA 2.0**
Merom-2

SIZE	CODE	DOC. NUMBER	REV
A3	CS	1310A2128301	A01



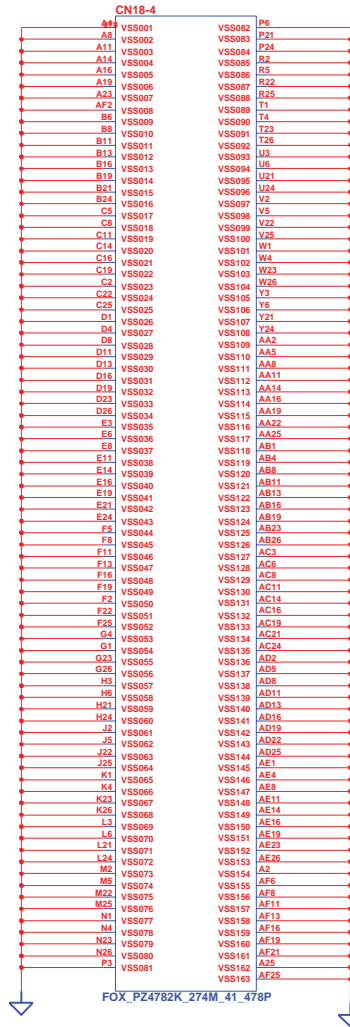
<http://laptop-motherboard-schematic.blogspot.com/>

LAYOUT NOTE:
PLACE C2461 NEAR PIN B26

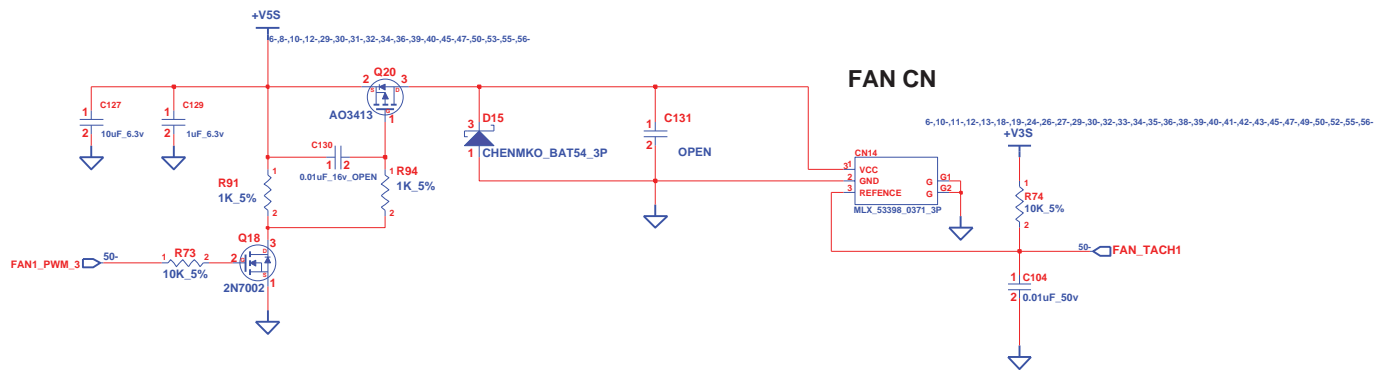
LAYOUT NOTE:
ROUTE VCCSENSE AND VSSSENSE TRACE AT
24.7 OHM WITH 50 MIL SPACING
PLACE PU AND PD WITHIN 1 INCH OF CPU

INVENTEC			
TITLE CHEELA 2.0			
Merom-3			
SIZE A3	CODE CS	DOC. NUMBER 1310A2128301	REV A01
CHANGE by RDEE3A		30-Apr-2007	
SHEET 16		OF 59	

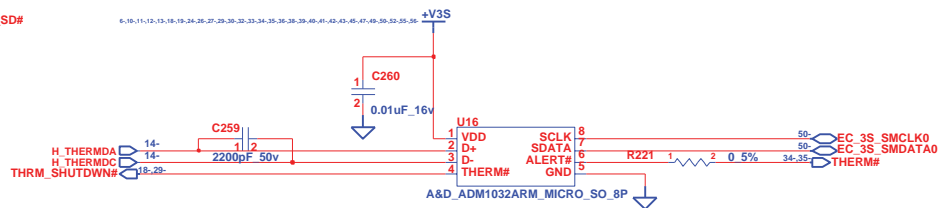
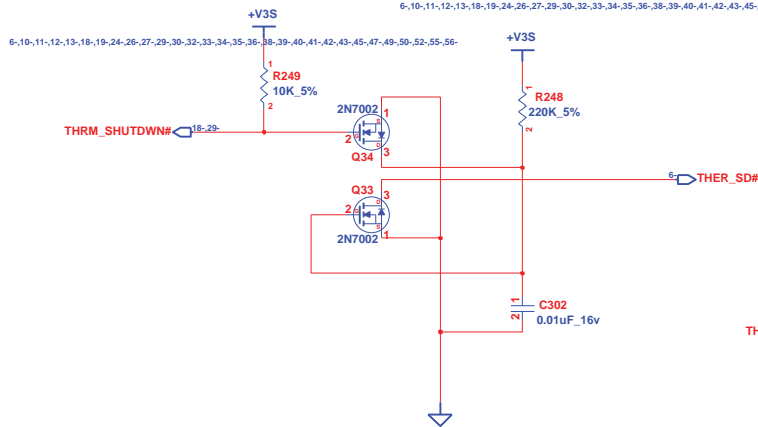
<http://laptop-motherboard-schematic.blogspot.com/>



INVENTEC			
TITLE CHEELA 2.0			
<i>Merom-4</i>			
SIZE A3	CODE CS	DOC. NUMBER 1310A2128301	REV A01
CHANGE by RDEE3A		30-Apr-2007	
SHEET 17		OF 59	

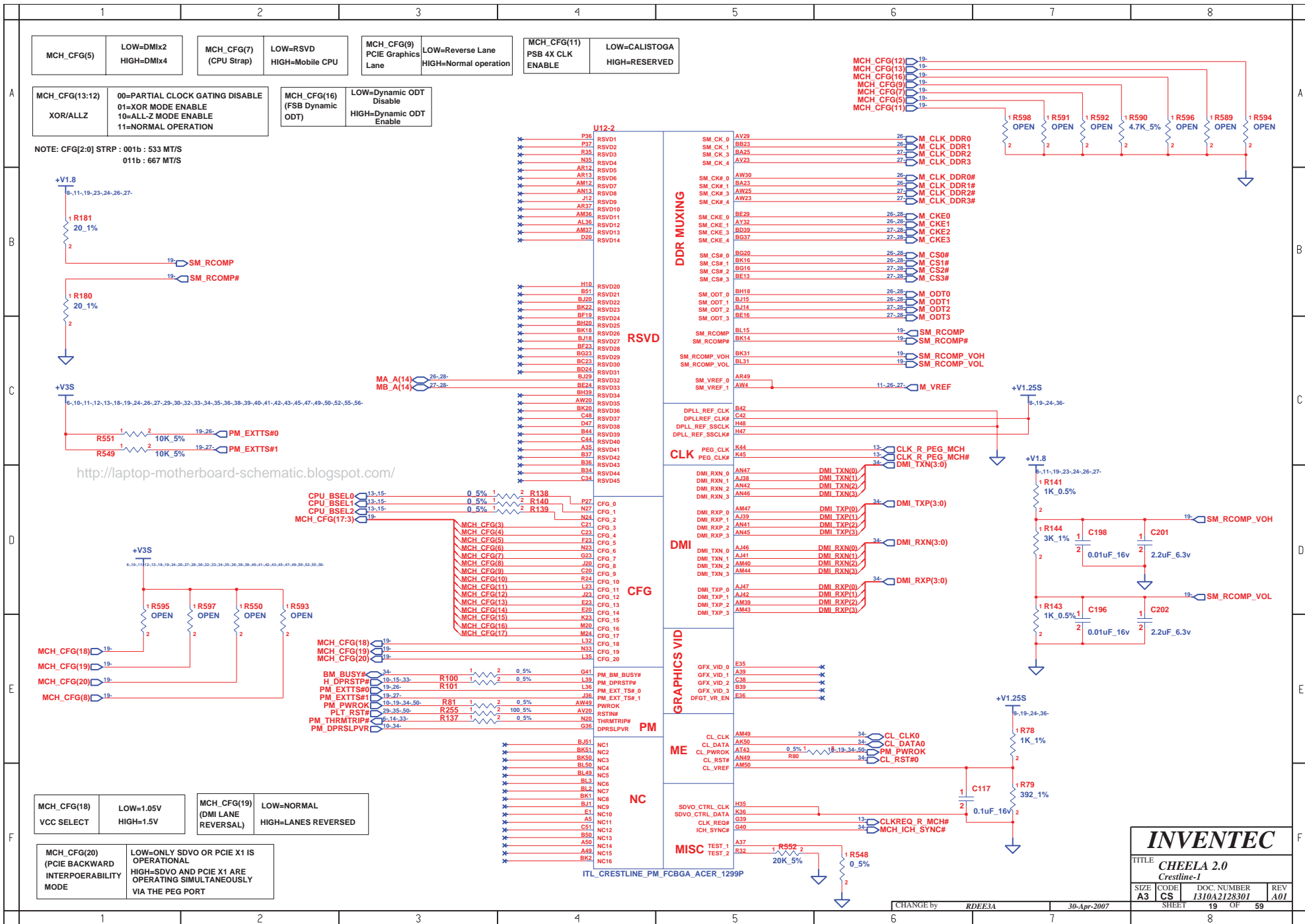


<http://laptop-motherboard-schematic.blogspot.com/>

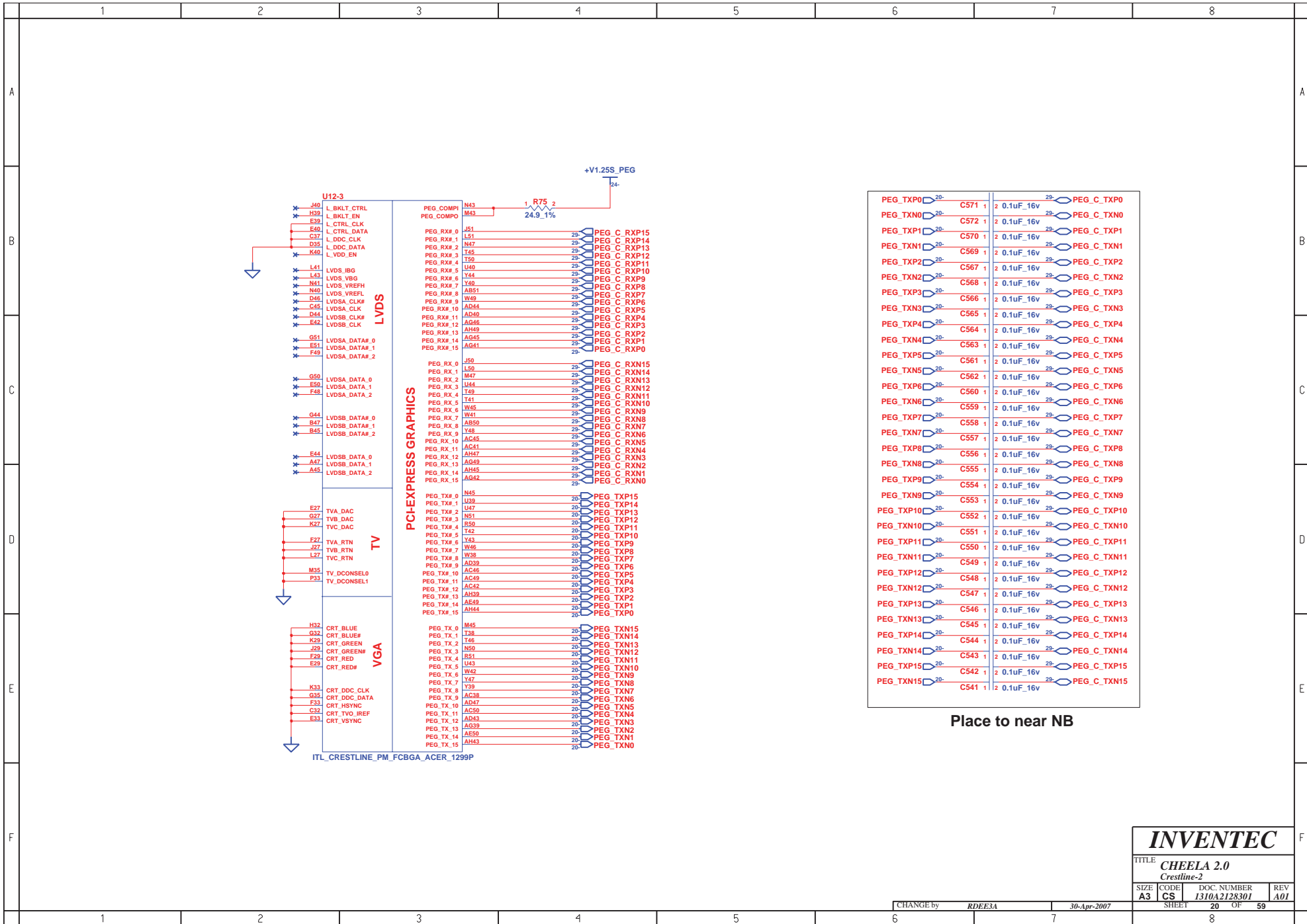


Thermal Sensor For CPU

INVENTEC			
TITLE CHEELA 2.0			
THERMAL&FAN CONTROLLER			
SIZE	CODE	DOC. NUMBER	REV
A3	CS	1310A2128301	A01



INVENTEC			
TITLE: CHEELA 2.0 Crestline-1			
SIZE: A3	CODE: CS	DOC. NUMBER: 1310A2128301	REV: A01
CHANGE by: RDEE3A		30-Apr-2007	
SHEET: 19		OF: 59	



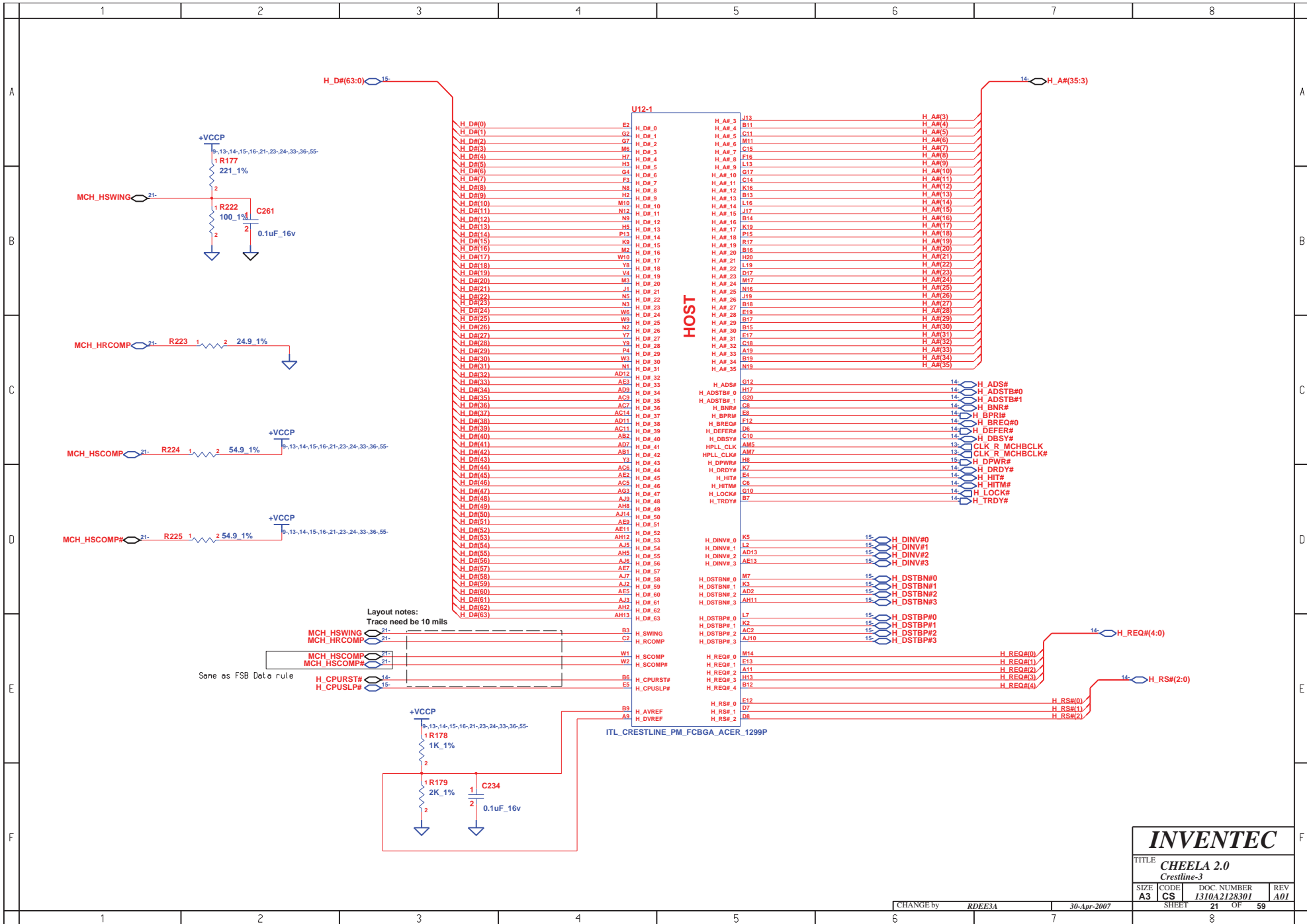
Place to near NB

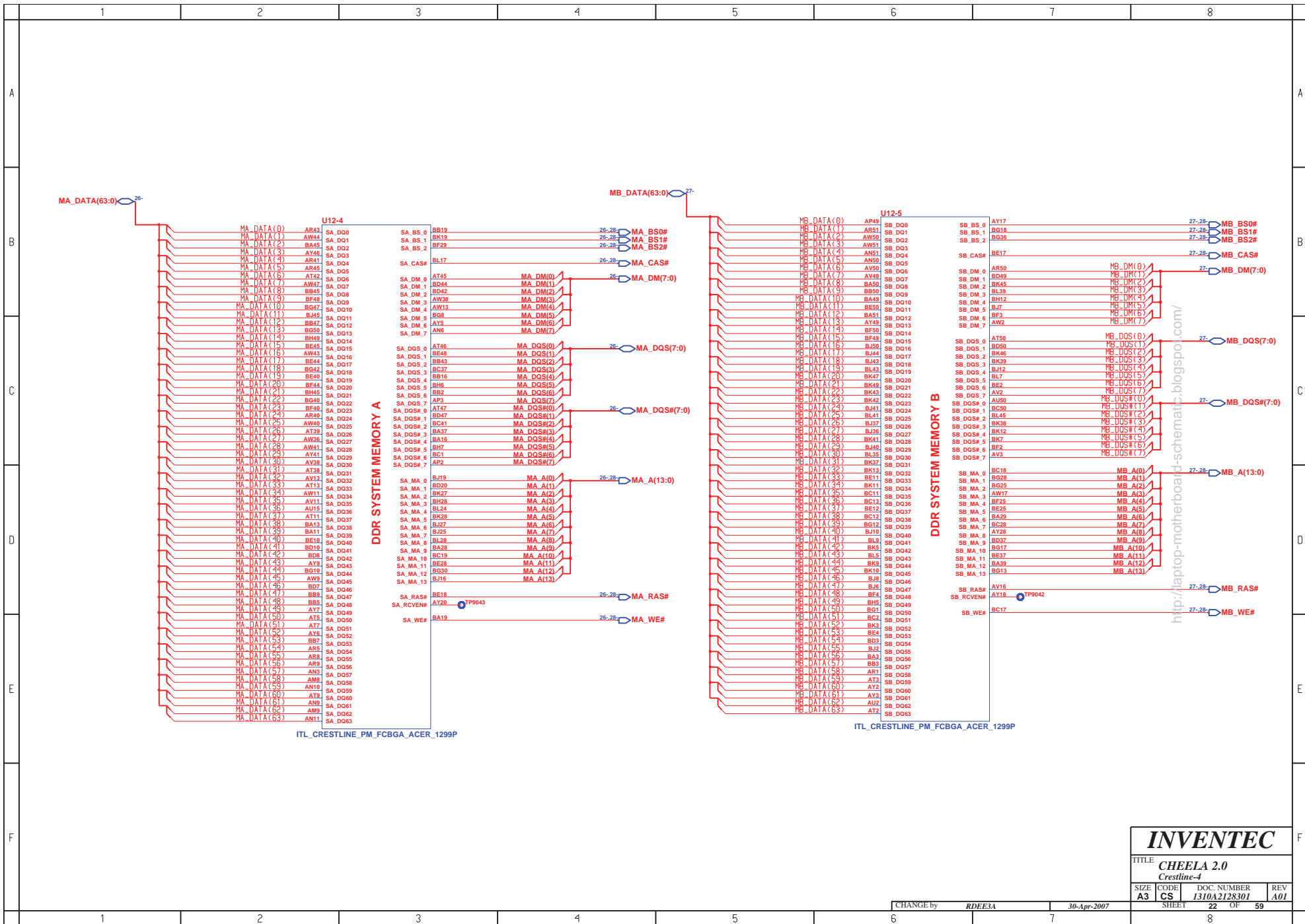
INVENTEC

TITLE
CHEELA 2.0
Crestline-2

SIZE A3	CODE CS	DOC. NUMBER 1310A2128301	REV A01
-------------------	-------------------	------------------------------------	-------------------

CHANGE by **RDEE3A** 30-Apr-2007 SHEET **20** OF **59**





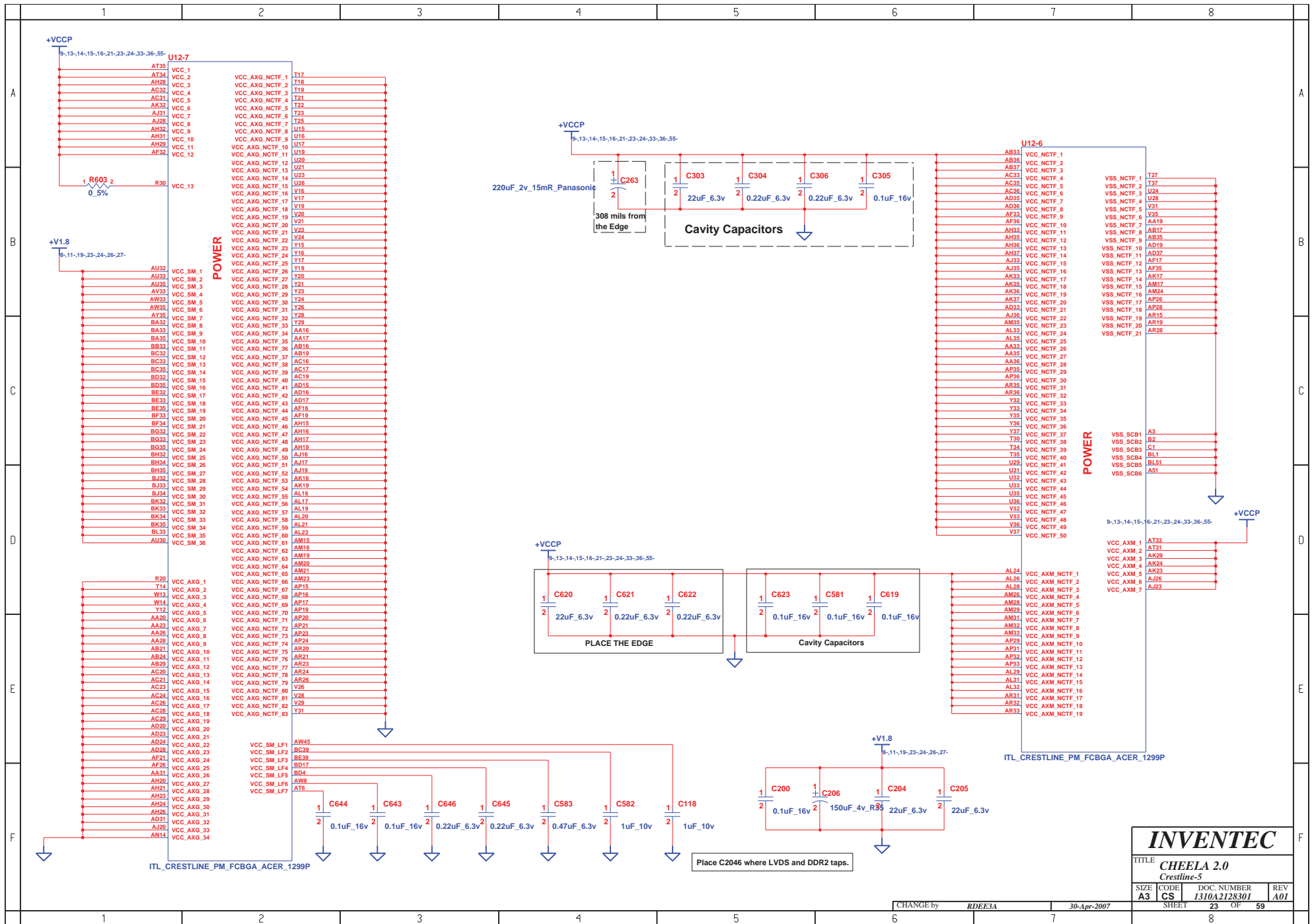
INVENTEC

TITLE
CHEELA 2.0
 Crestline-4

SIZE A3	CODE CS	DOC. NUMBER 1310A2128301	REV A01
-------------------	-------------------	------------------------------------	-------------------

CHANGE by **RDEE3A** 30-Apr-2007

SHEET **22** OF **59**



INVENTEC

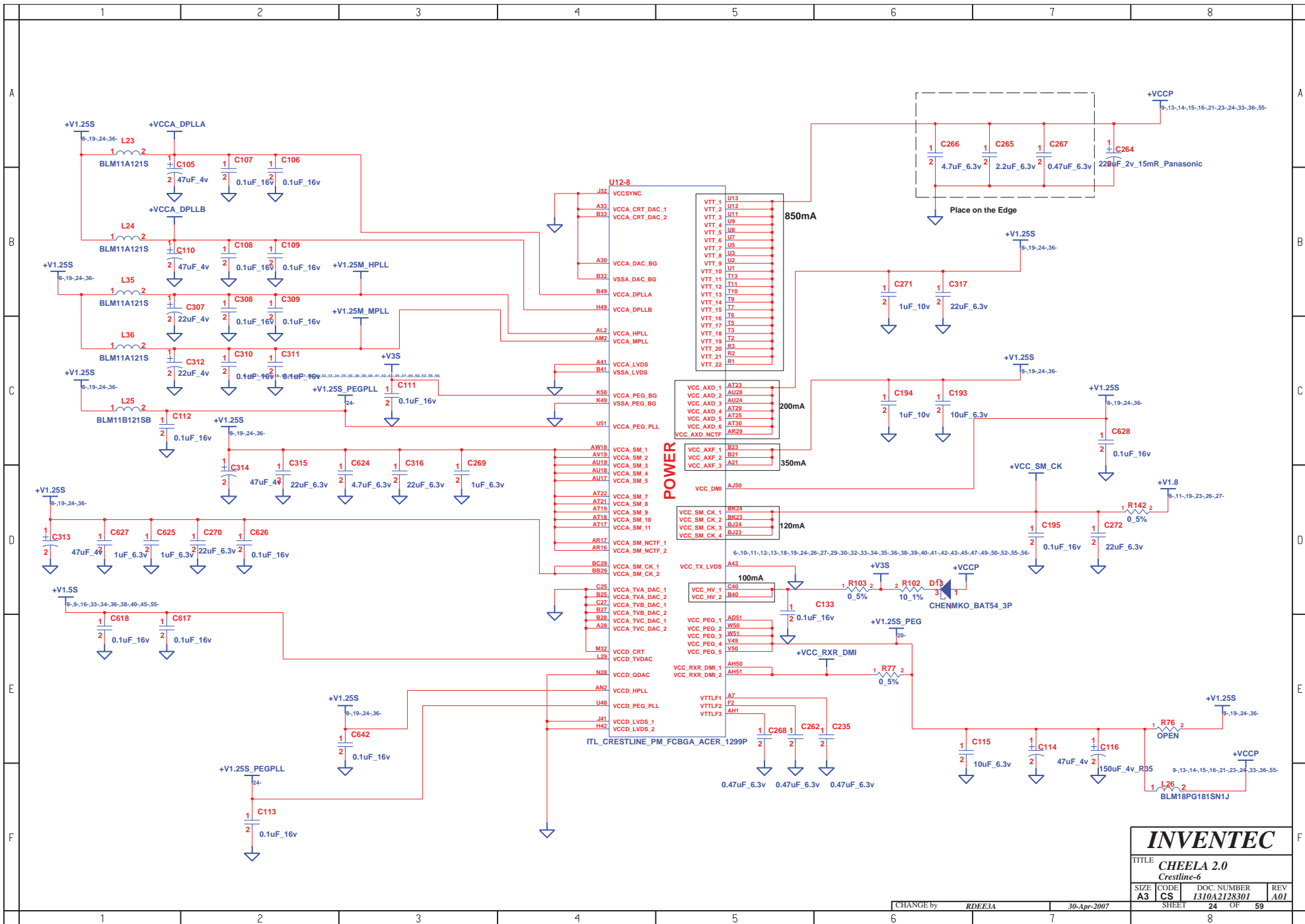
TITLE: **CHEELA 2.0**
Crestline-5

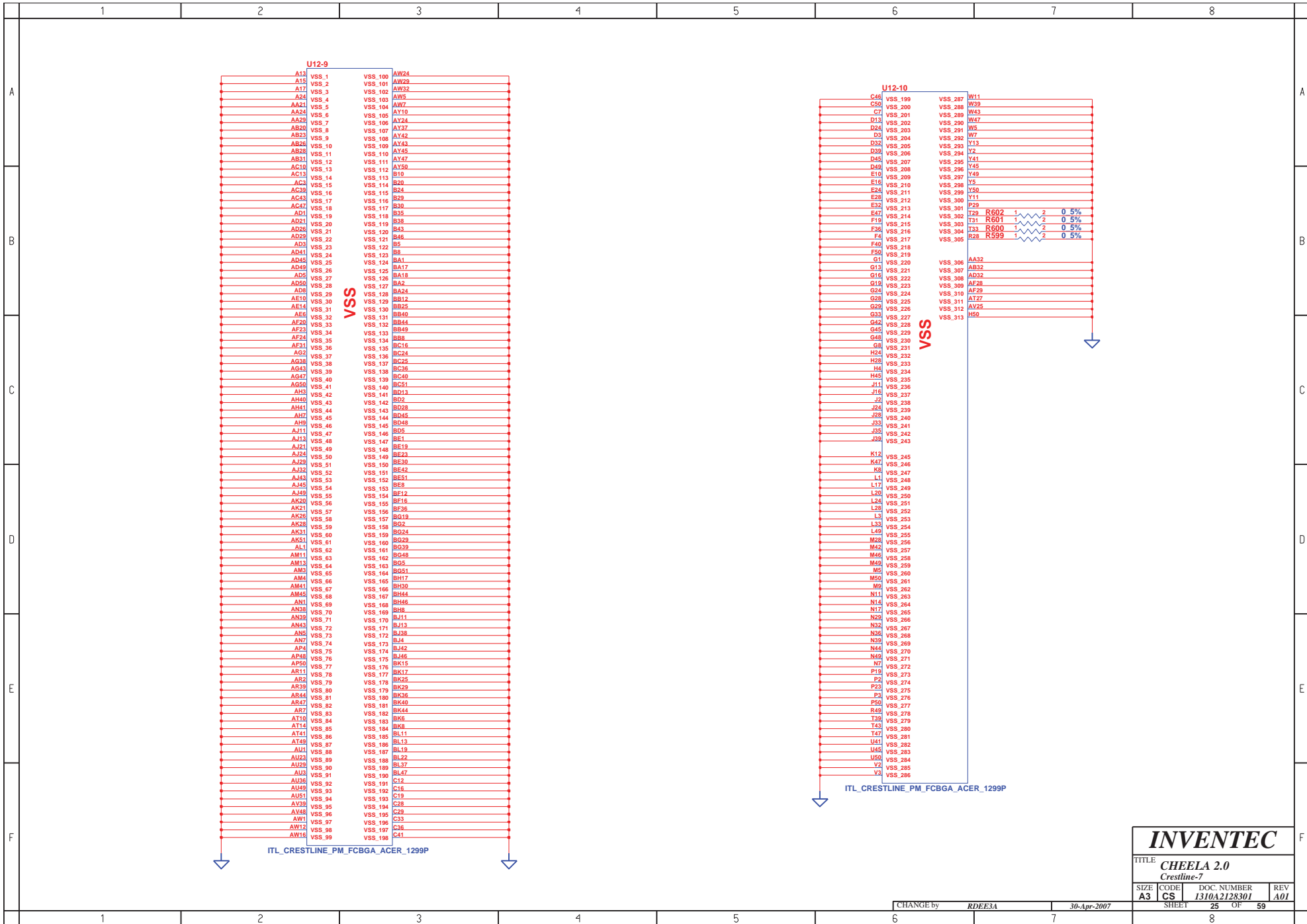
SIZE	CODE	DOC. NUMBER	REV
A3	CS	1310A2128301	A01

SHEET 23 OF 59

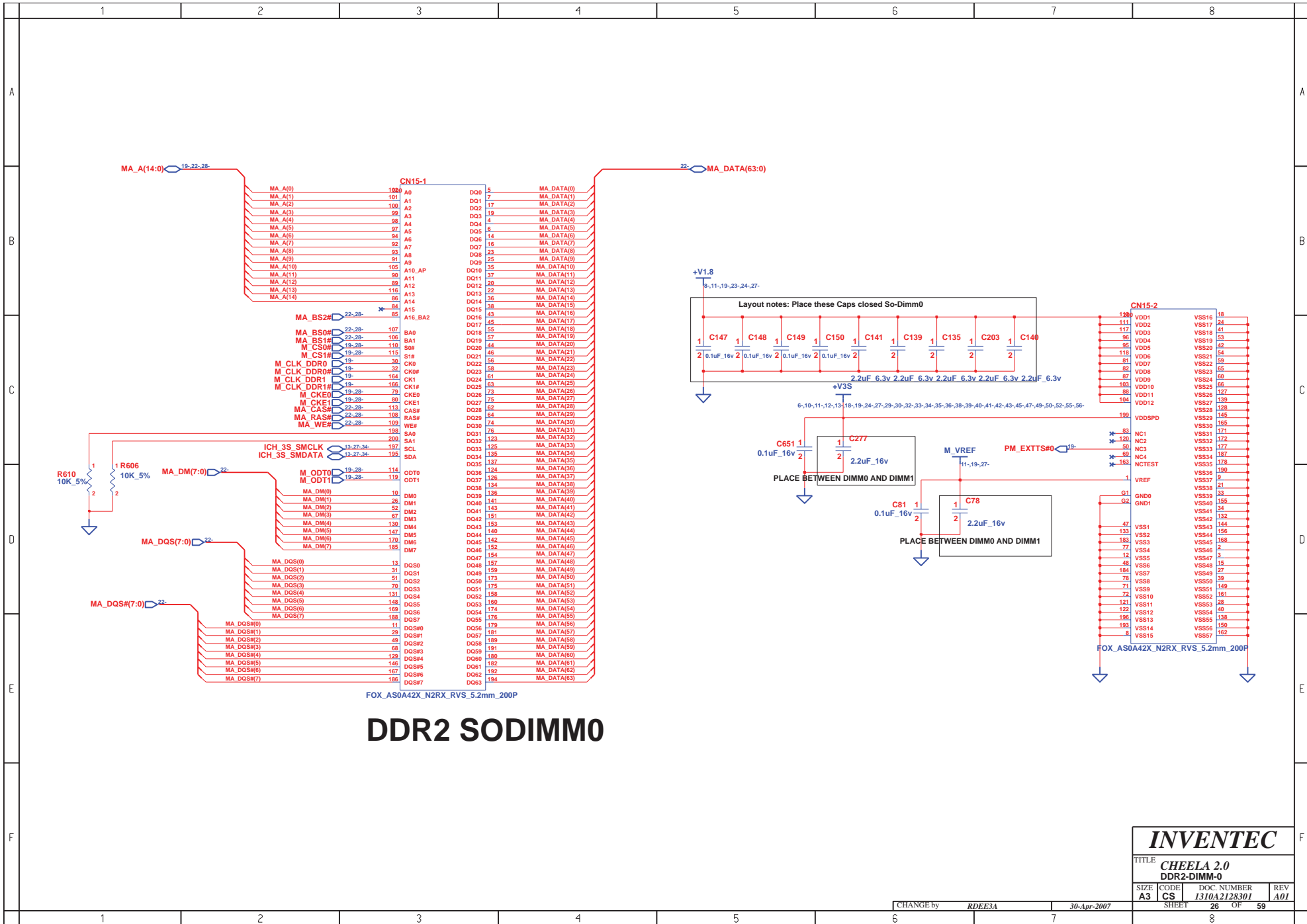
CHANGE by RDEE3A 30-Apr-2007

Place C2046 where LVDS and DDR2 taps.





INVENTEC			
TITLE CHEELA 2.0 Crestline-7			
SIZE A3	CODE CS	DOC. NUMBER 1310A2128301	REV A01
CHANGE by RDEE3A		30-Apr-2007	
SHEET		25 OF 59	



DDR2 SODIMM0

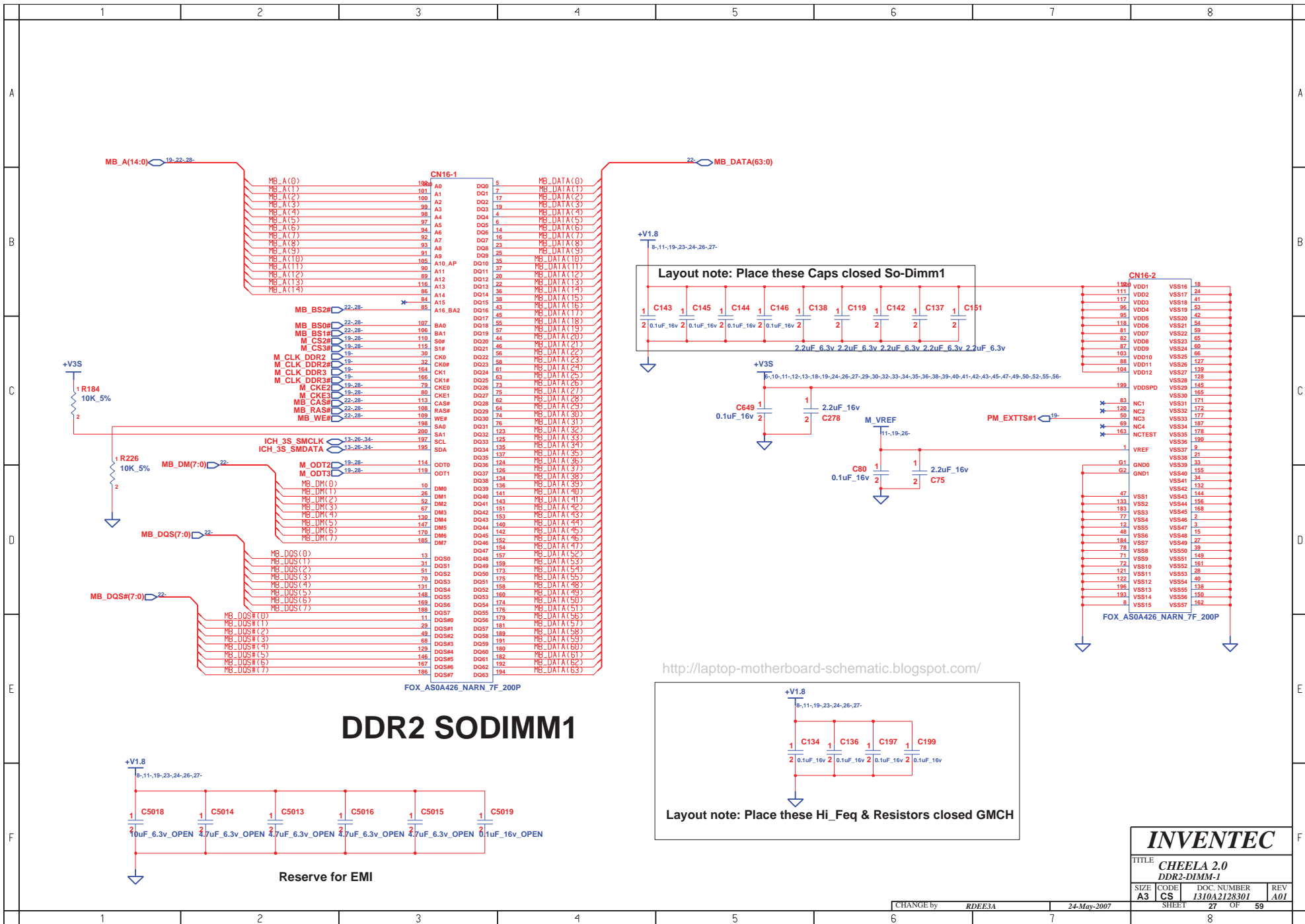
INVENTEC

TITLE: **CHEELA 2.0**
DDR2-DIMM-0

SIZE	CODE	DOC. NUMBER	REV
A3	CS	1310A2128301	A01

CHANGE by: RDEE3A 30-Apr-2007

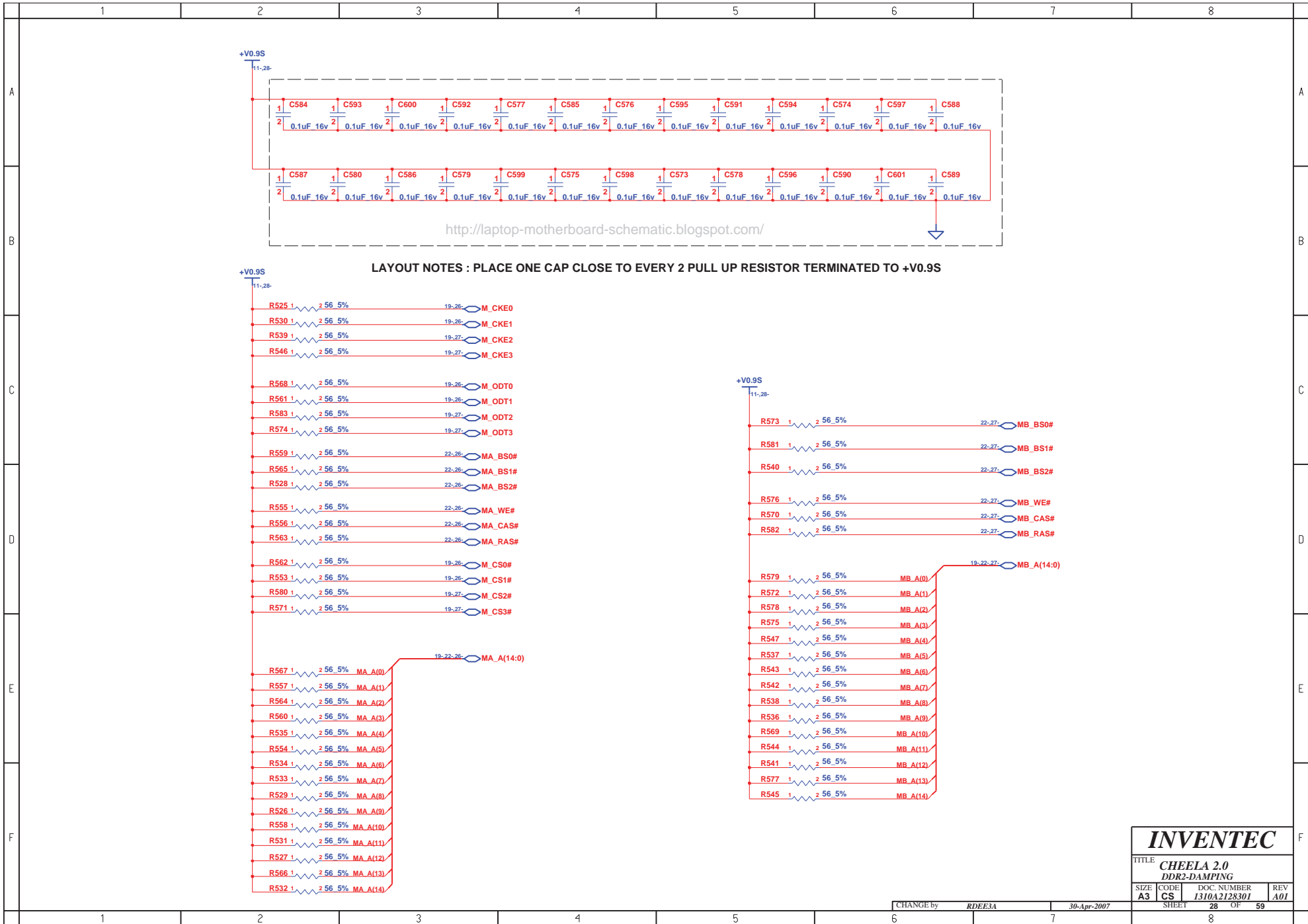
SHEET 26 OF 59



DDR2 SODIMM1

<http://laptop-motherboard-schematic.blogspot.com/>

INVENTEC			
TITLE CHEELA 2.0 DDR2-DIMM-1			
SIZE A3	CODE CS	DOC. NUMBER 1310A2128301	REV A01
CHANGE by RDEE3A		24-May-2007	
SHEET 27		OF 59	



<http://laptop-motherboard-schematic.blogspot.com/>

LAYOUT NOTES : PLACE ONE CAP CLOSE TO EVERY 2 PULL UP RESISTOR TERMINATED TO +V0.9S

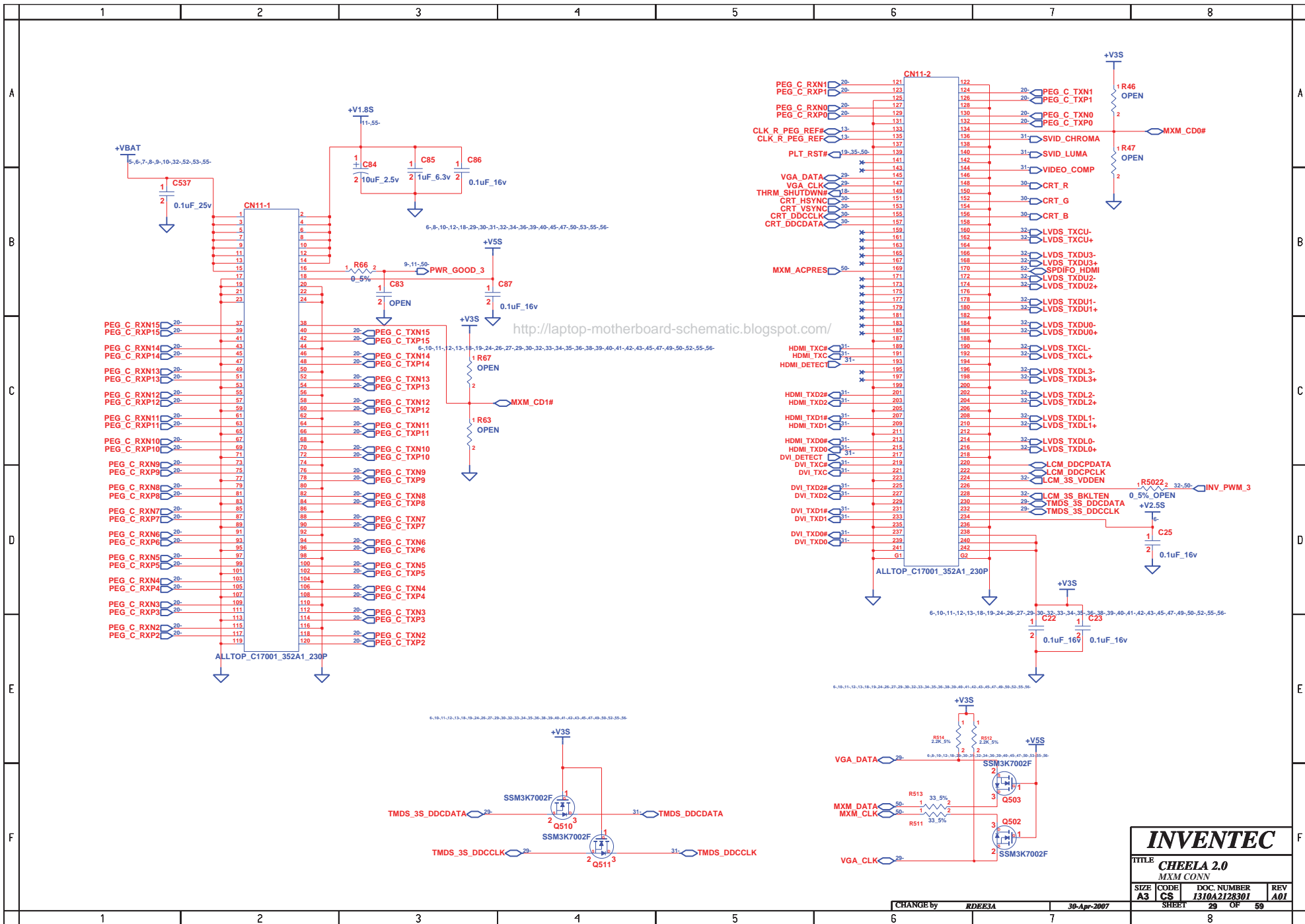
INVENTEC

TITLE **CHEELA 2.0**
DDR2-DAMPING

SIZE A3	CODE CS	DOC. NUMBER 1310A2128301	REV A01
-------------------	-------------------	------------------------------------	-------------------

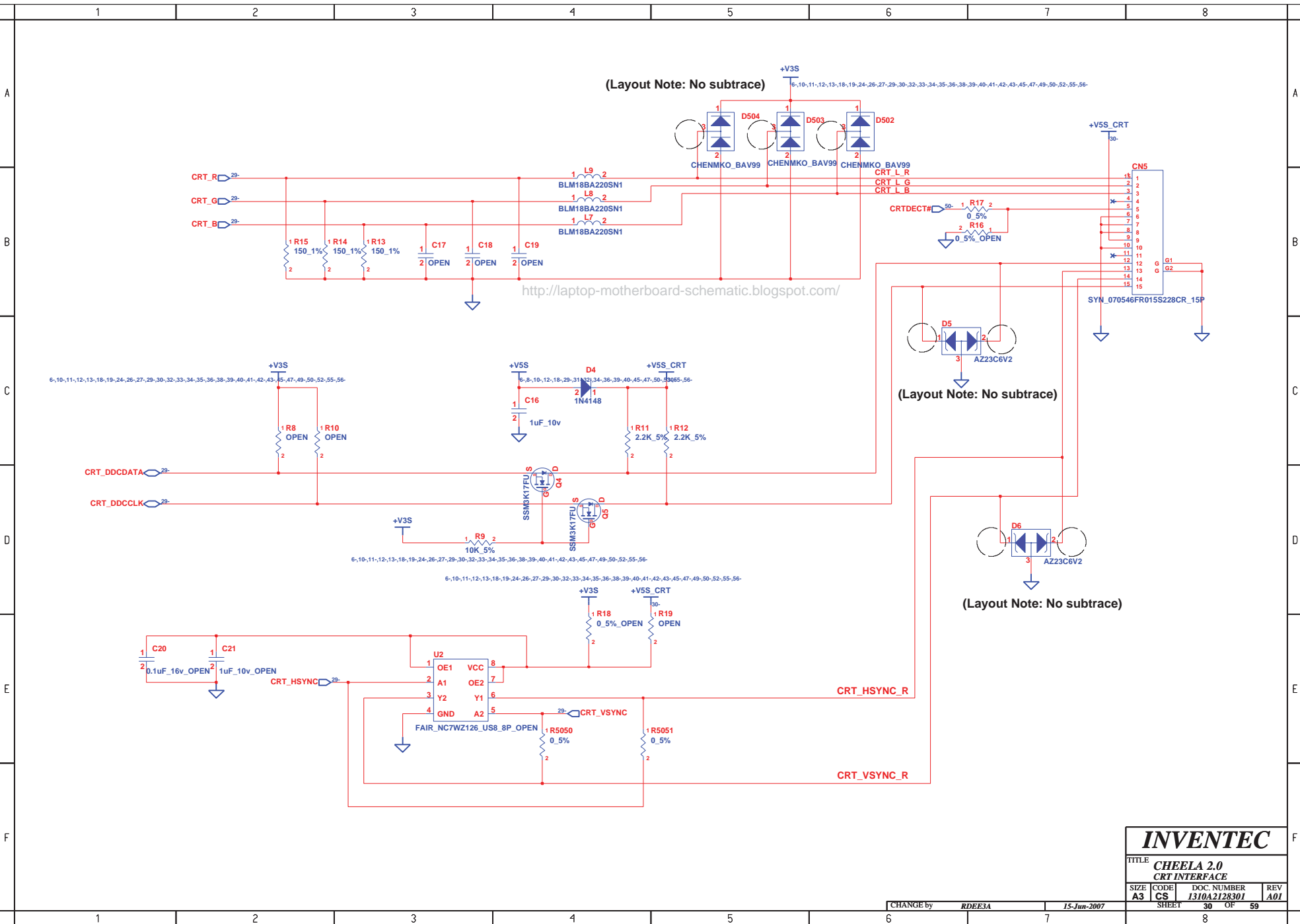
CHANGE by **RDEE3A** 30-Apr-2007

SHEET **28** OF **59**



<http://laptop-motherboard-schematic.blogspot.com/>

INVENTEC			
TITLE CHEELA 2.0			
MXM CONN			
SIZE A3	CODE CS	DOC. NUMBER I310A2128301	REV A01
CHANGE by RDEE3A		30-Apr-2007	
SHEET 29		OF 59	



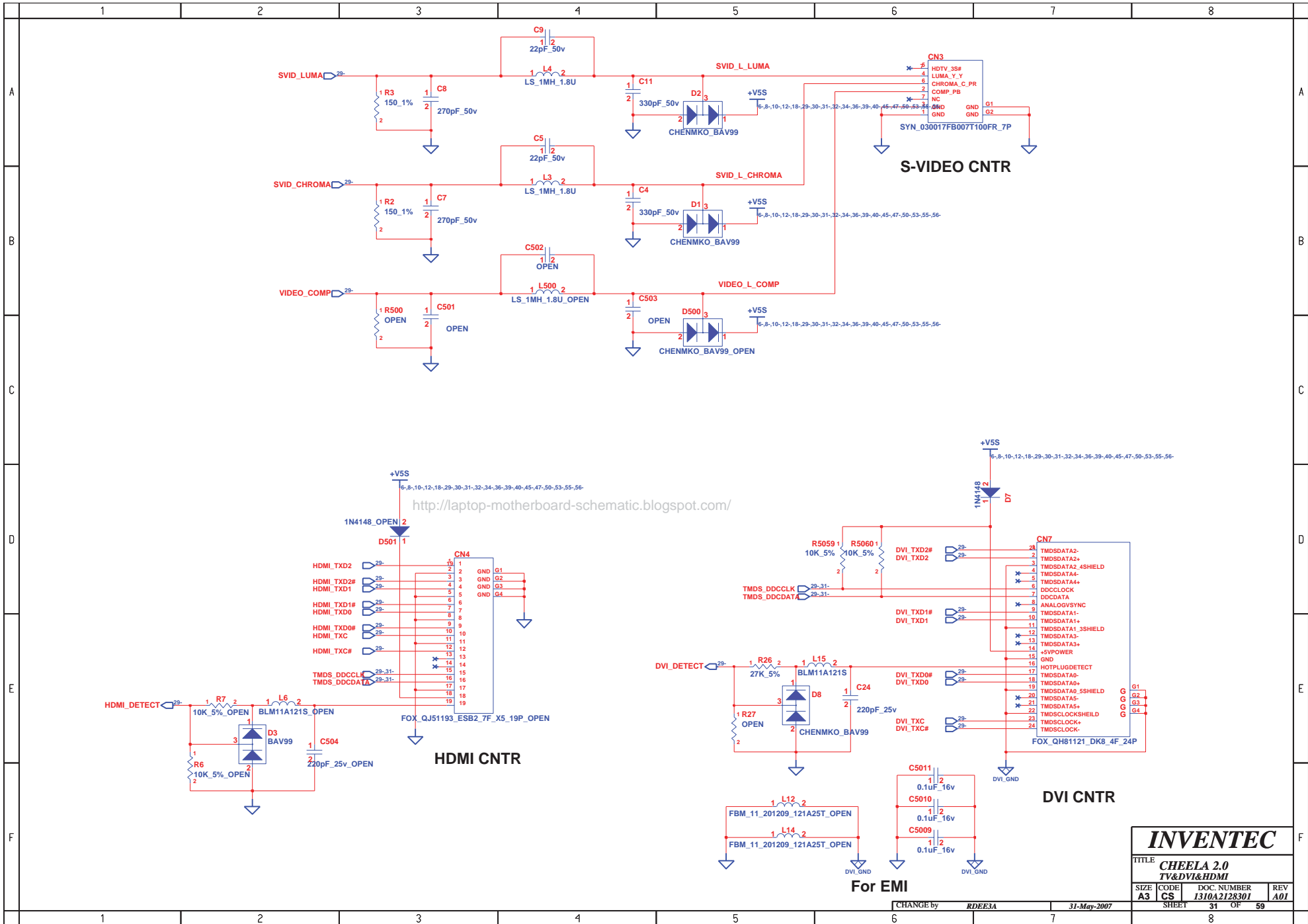
INVENTEC

TITLE
CHEELA 2.0
 CRT INTERFACE

SIZE A3	CODE CS	DOC. NUMBER 1310A2128301	REV A01
------------	------------	-----------------------------	------------

CHANGE by RDEE3A 15-Jun-2007

SHEET 30 OF 59



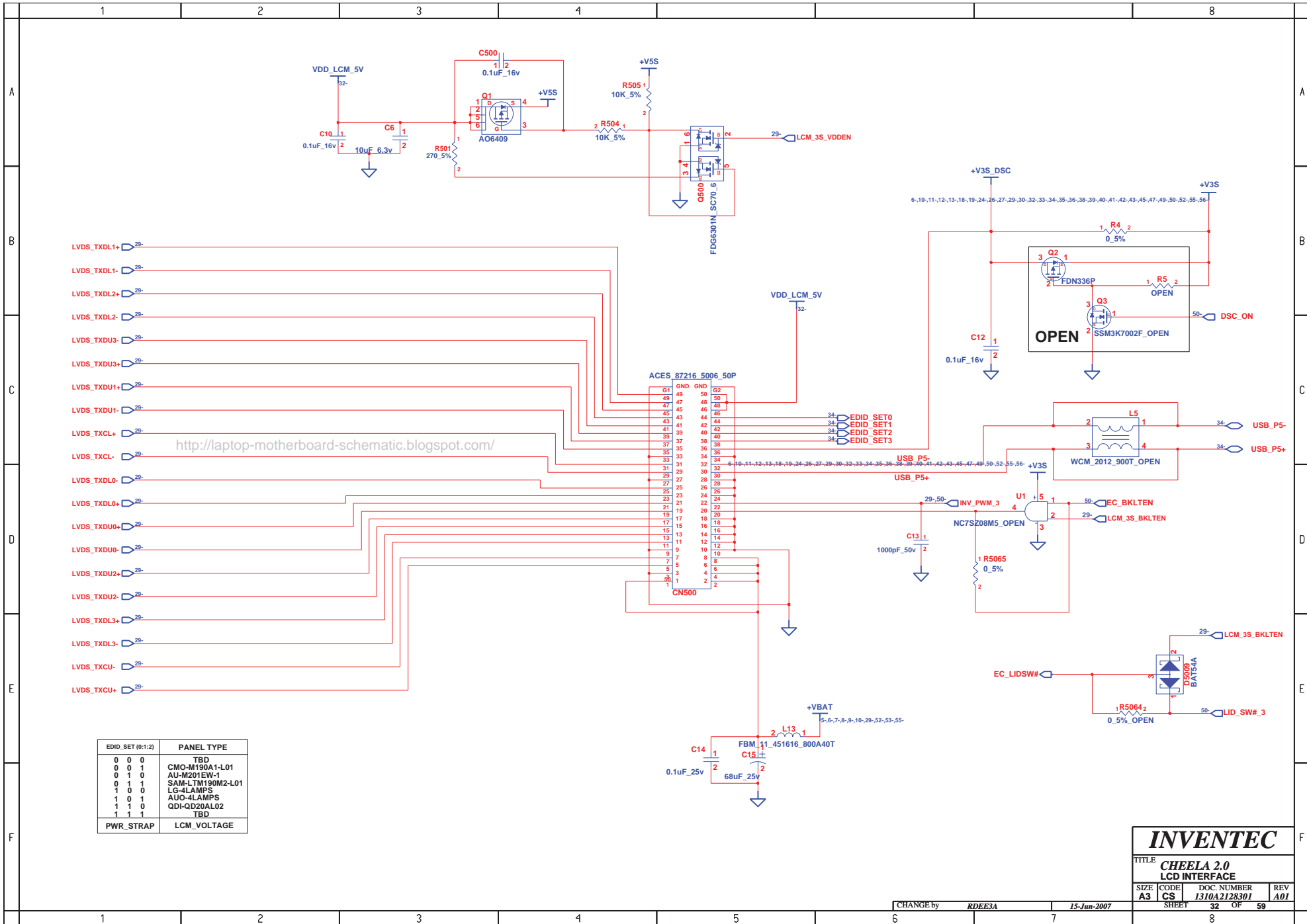
<http://laptop-motherboard-schematic.blogspot.com/>

INVENTEC			
TITLE CHEELA 2.0 TV&DVI&HDMI			
SIZE A3	CODE CS	DOC. NUMBER 1310A2128301	REV A01

For EMI

CHANGE by **RDEE3A** 31-May-2007

SHEET 31 OF 59



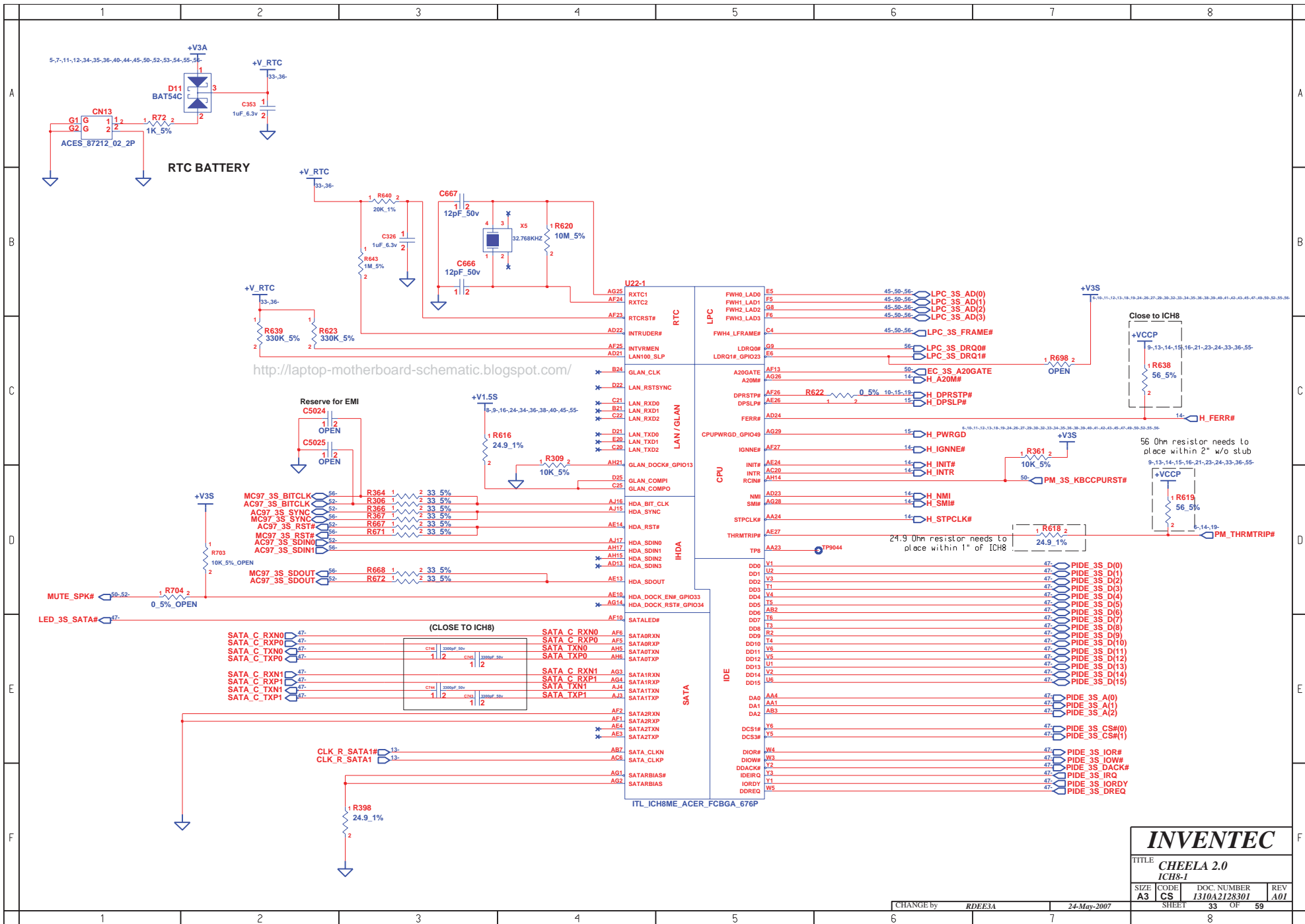
EDID.SET (0:1:2)	PANEL TYPE
0 0 0	TBD
0 0 1	CMQ-M190A1-L01
0 1 0	AU-M201EW-1
0 1 1	SAM-LTM190M2-L01
1 0 0	LG-4LAMPS
1 0 1	AUC-4LAMPS
1 1 0	QDI-QD20AL02
1 1 1	TBD
PWR_STRAP	LCM_VOLTAGE

INVENTEC

TITLE
**CHEELA 2.0
LCD INTERFACE**

SIZE A3	CODE CS	DOC NUMBER 1310A2128301	REV A01
-------------------	-------------------	-----------------------------------	-------------------

CHANGE by **RDEE3A** 15-Jun-2007 SHEET **32** OF **59**

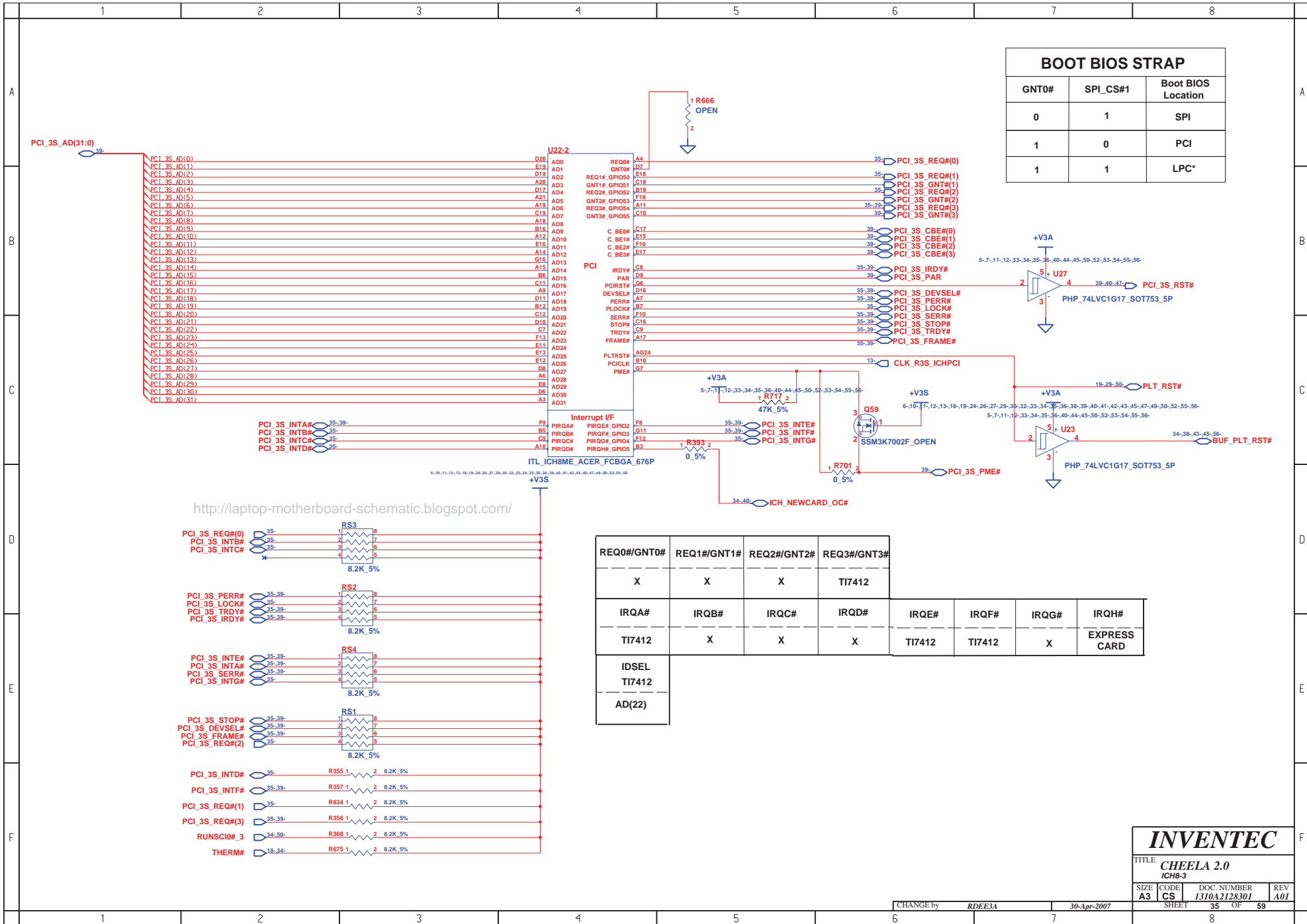


INVENTEC

TITLE
CHEELA 2.0
ICH8-1

SIZE	CODE	DOC. NUMBER	REV
A3	CS	1310A2128301	A01

CHANGE by **RDEE3A** 24-May-2007 SHEET 33 OF 59



REQ0#/GNT0#	REQ1#/GNT1#	REQ2#/GNT2#	REQ3#/GNT3#				
X	X	X	TI7412				
IRQA#	IRQB#	IRQC#	IRQD#	IRQE#	IRQF#	IRQG#	IRQH#
TI7412	X	X	X	TI7412	TI7412	X	EXPRESS CARD
IDSEL							
AD(22)							

INVENTEC			
TITLE CHEELA 2.0			
IC#8-3			
SIZE	CODE	DOC. NUMBER	REV
A3	CS	1310A2128301	A01
CHANGE by RDEE3A		30-Apr-2007	
SHEET 35		OF 59	

	1	2	3	4	5	6	7	8	
A									
B									
C									
D									
E									
F									

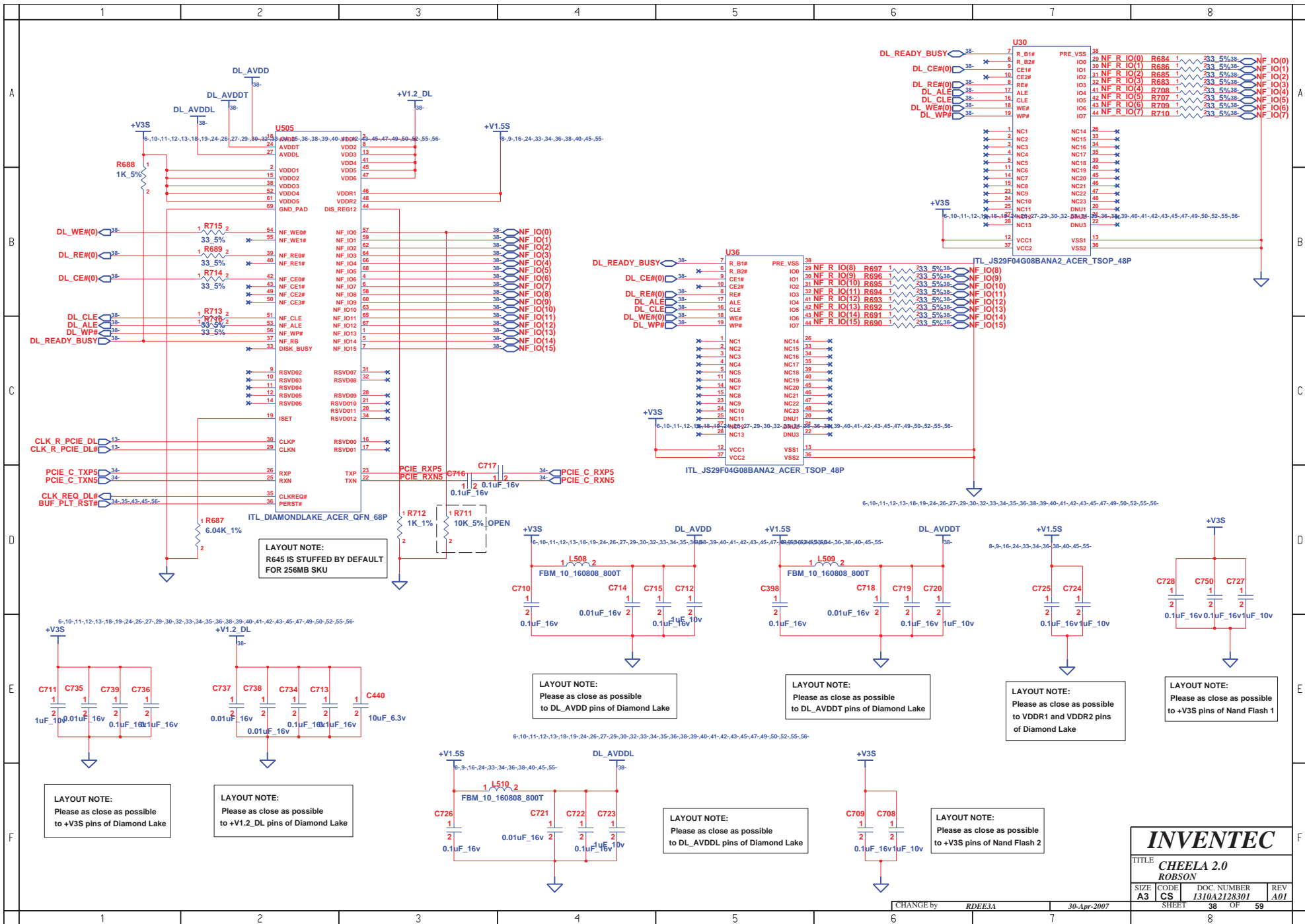
U22-5

A23	VSS001	VS0099	K7
A25	VSS002	VSS100	L1
AA2	VSS003	VSS101	L13
AA7	VSS004	VSS102	L15
A25	VSS005	VSS103	L26
AB1	VSS006	VSS104	L27
AB24	VSS007	VSS105	L4
AC11	VSS008	VSS106	L5
AC14	VSS009	VSS107	M12
AC25	VSS010	VSS108	M13
AC26	VSS011	VSS109	M14
AC27	VSS012	VSS110	M15
AD17	VSS013	VSS111	M16
AD20	VSS014	VSS112	M17
AD28	VSS015	VSS113	M23
AD29	VSS016	VSS114	M28
AD3	VSS017	VSS115	M29
AD4	VSS018	VSS116	M3
AD6	VSS019	VSS117	N1
AE1	VSS020	VSS118	N11
AE12	VSS021	VSS119	N12
AE2	VSS022	VSS120	N13
AE22	VSS023	VSS121	N14
AD1	VSS024	VSS122	N15
AE29	VSS025	VSS123	N16
AE5	VSS026	VSS124	N17
AE6	VSS027	VSS125	N18
AE9	VSS028	VSS126	N26
AF14	VSS029	VSS127	N27
AF16	VSS030	VSS128	N4
AF18	VSS031	VSS129	N5
AF3	VSS032	VSS130	N6
AF4	VSS033	VSS131	P12
AG5	VSS034	VSS132	P13
AG6	VSS035	VSS133	P14
AH10	VSS036	VSS134	P15
AH13	VSS037	VSS135	P16
AH16	VSS038	VSS136	P17
AH19	VSS039	VSS137	P23
AH2	VSS040	VSS138	P28
AF28	VSS041	VSS139	P29
AH22	VSS042	VSS140	R11
AH24	VSS043	VSS141	R12
AH28	VSS044	VSS142	R13
AH3	VSS045	VSS143	R14
AH4	VSS046	VSS144	R15
AH8	VSS047	VSS145	R16
AJ9	VSS048	VSS146	R17
B11	VSS049	VSS147	R18
B14	VSS050	VSS148	R28
B17	VSS051	VSS149	R4
B2	VSS052	VSS150	T12
B20	VSS053	VSS151	T13
B22	VSS054	VSS152	T14
B8	VSS055	VSS153	T15
C24	VSS056	VSS154	T16
C25	VSS057	VSS155	T17
C27	VSS058	VSS156	T2
C6	VSS059	VSS157	T12
D12	VSS060	VSS158	U14
D15	VSS061	VSS159	U14
D18	VSS062	VSS160	U15
D2	VSS063	VSS161	U16
D4	VSS064	VSS162	U17
E21	VSS065	VSS163	U23
E24	VSS066	VSS164	U26
E4	VSS067	VSS165	U27
E9	VSS068	VSS166	U3
F15	VSS069	VSS167	U5
E23	VSS070	VSS168	V13
F28	VSS071	VSS169	V15
F29	VSS072	VSS170	V29
F7	VSS073	VSS171	V29
G1	VSS074	VSS172	W2
E4	VSS075	VSS173	W26
G10	VSS076	VSS174	W27
G13	VSS077	VSS175	Y28
G19	VSS078	VSS176	Y29
G23	VSS079	VSS177	Y4
G25	VSS080	VSS178	AB4
G26	VSS081	VSS179	AB23
G27	VSS082	VSS180	AB5
H26	VSS083	VSS181	AB6
H28	VSS084	VSS182	AD5
H29	VSS085	VSS183	U4
H3	VSS086	VSS184	W24
H6	VSS087	VSS_NCTF_01	A1
J1	VSS088	VSS_NCTF_02	A2
J25	VSS089	VSS_NCTF_03	A28
J26	VSS090	VSS_NCTF_04	A29
J27	VSS091	VSS_NCTF_05	AH1
J4	VSS092	VSS_NCTF_06	AH29
J5	VSS093	VSS_NCTF_07	AJ1
K23	VSS094	VSS_NCTF_08	AJ2
K28	VSS095	VSS_NCTF_09	AJ28
K29	VSS096	VSS_NCTF_010	AJ29
K3	VSS097	VSS_NCTF_011	B1
K8	VSS098	VSS_NCTF_012	B29

ITL_ICH8ME_ACER_FCBGA_676P



INVENTEC			
TITLE CHEELA 2.0			
IC8-5			
SIZE	CODE	DOC. NUMBER	REV
A3	CS	1310A2128301	A01
CHANGE by		RDEE3A	30-Apr-2007
SHEET		37	OF 59



LAYOUT NOTE:
R645 IS STUFFED BY DEFAULT
FOR 256MB SKU

LAYOUT NOTE:
Please as close as possible
to DL_AVDD pins of Diamond Lake

LAYOUT NOTE:
Please as close as possible
to DL_AVDDT pins of Diamond Lake

LAYOUT NOTE:
Please as close as possible
to VDDR1 and VDDR2 pins
of Diamond Lake

LAYOUT NOTE:
Please as close as possible
to +V3S pins of Nand Flash 1

LAYOUT NOTE:
Please as close as possible
to +V3S pins of Diamond Lake

LAYOUT NOTE:
Please as close as possible
to +V1.2_DL pins of Diamond Lake

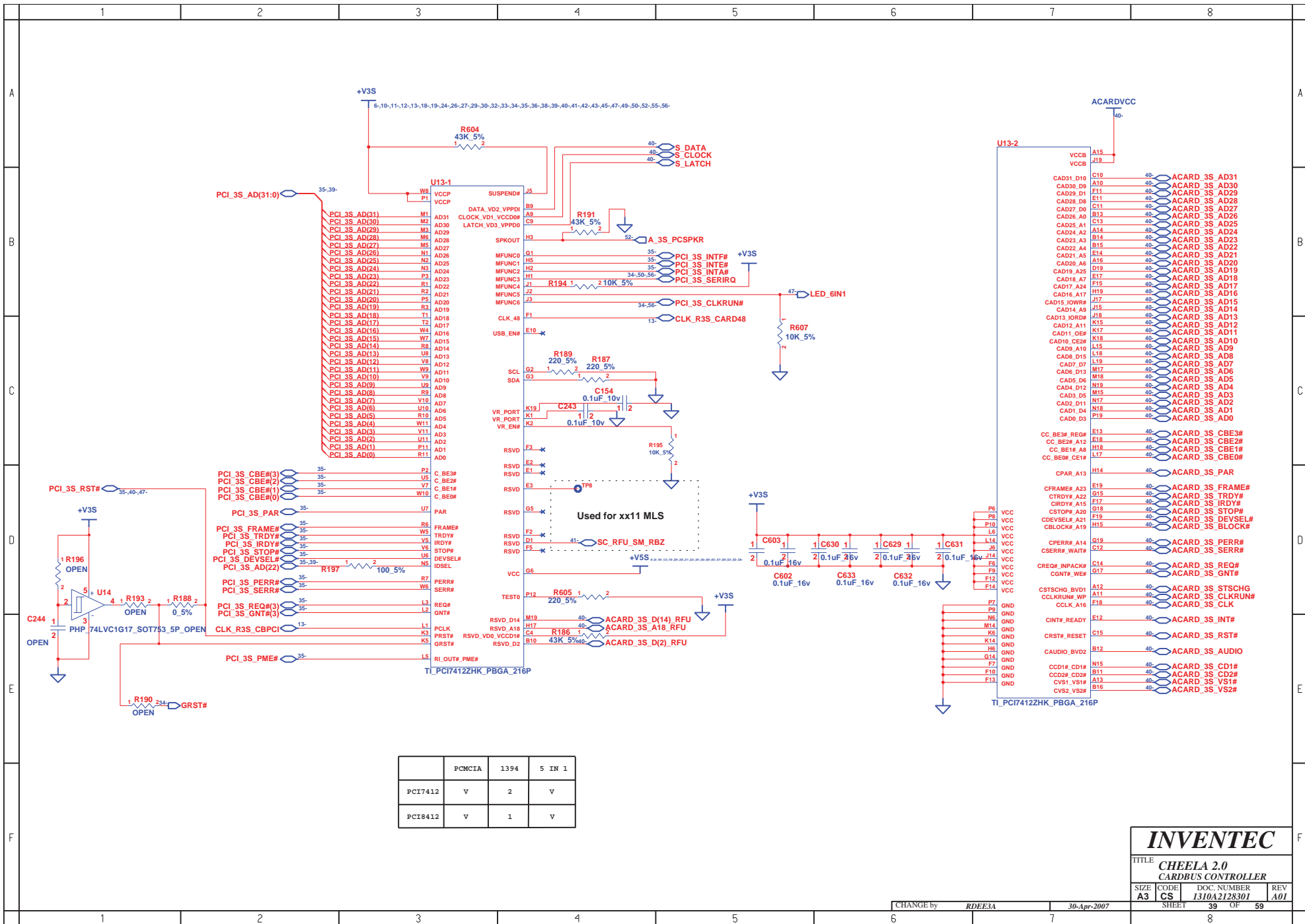
LAYOUT NOTE:
Please as close as possible
to DL_AVDDL pins of Diamond Lake

LAYOUT NOTE:
Please as close as possible
to +V3S pins of Nand Flash 2

INVENTEC

TITLE CHEELA 2.0			
ROBSON			
SIZE A3	CODE CS	DOC. NUMBER 1310A2128301	REV A01
SHEET 38		OF 59	

CHANGE by RDEE3A 30-Apr-2007

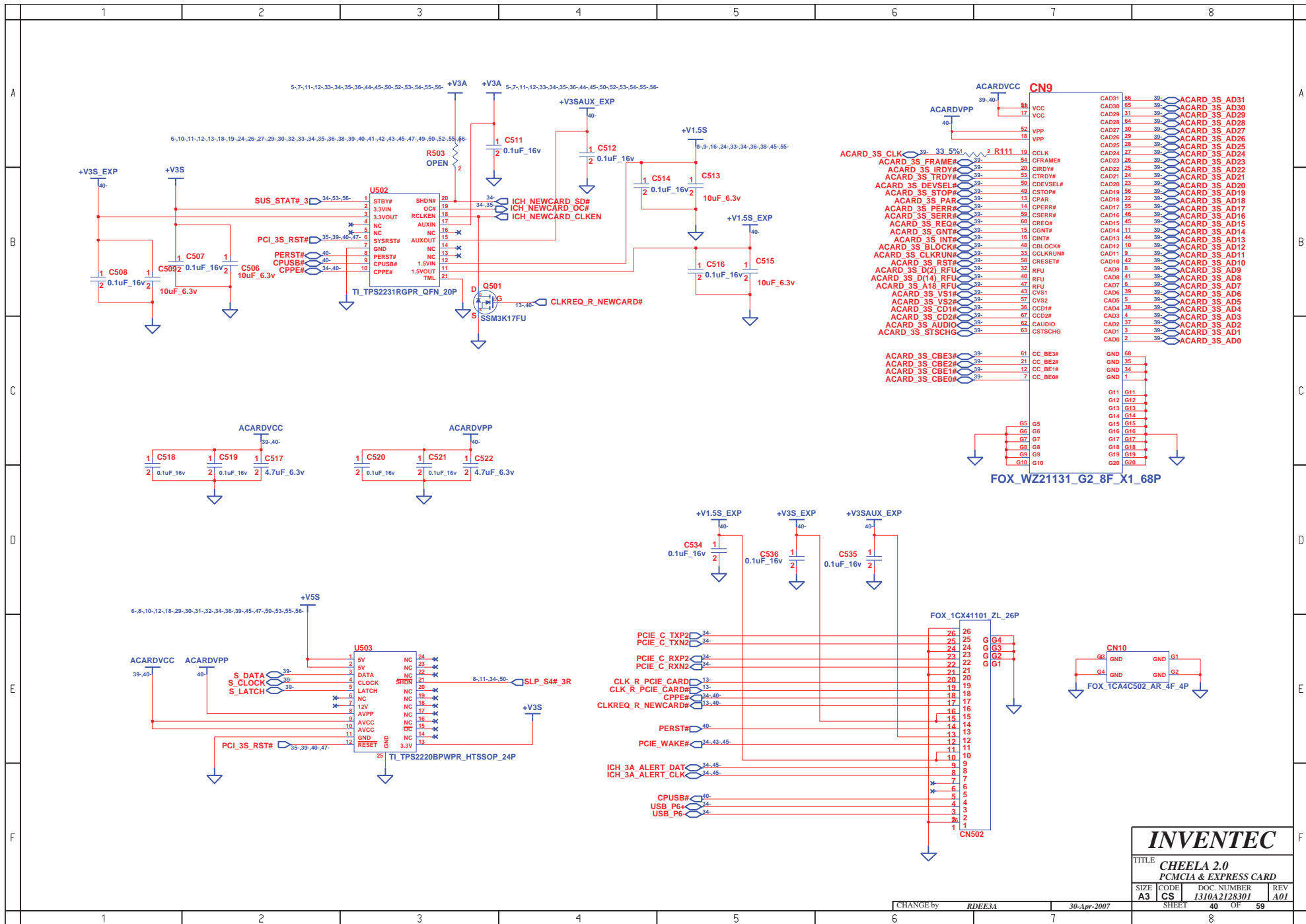


INVENTEC

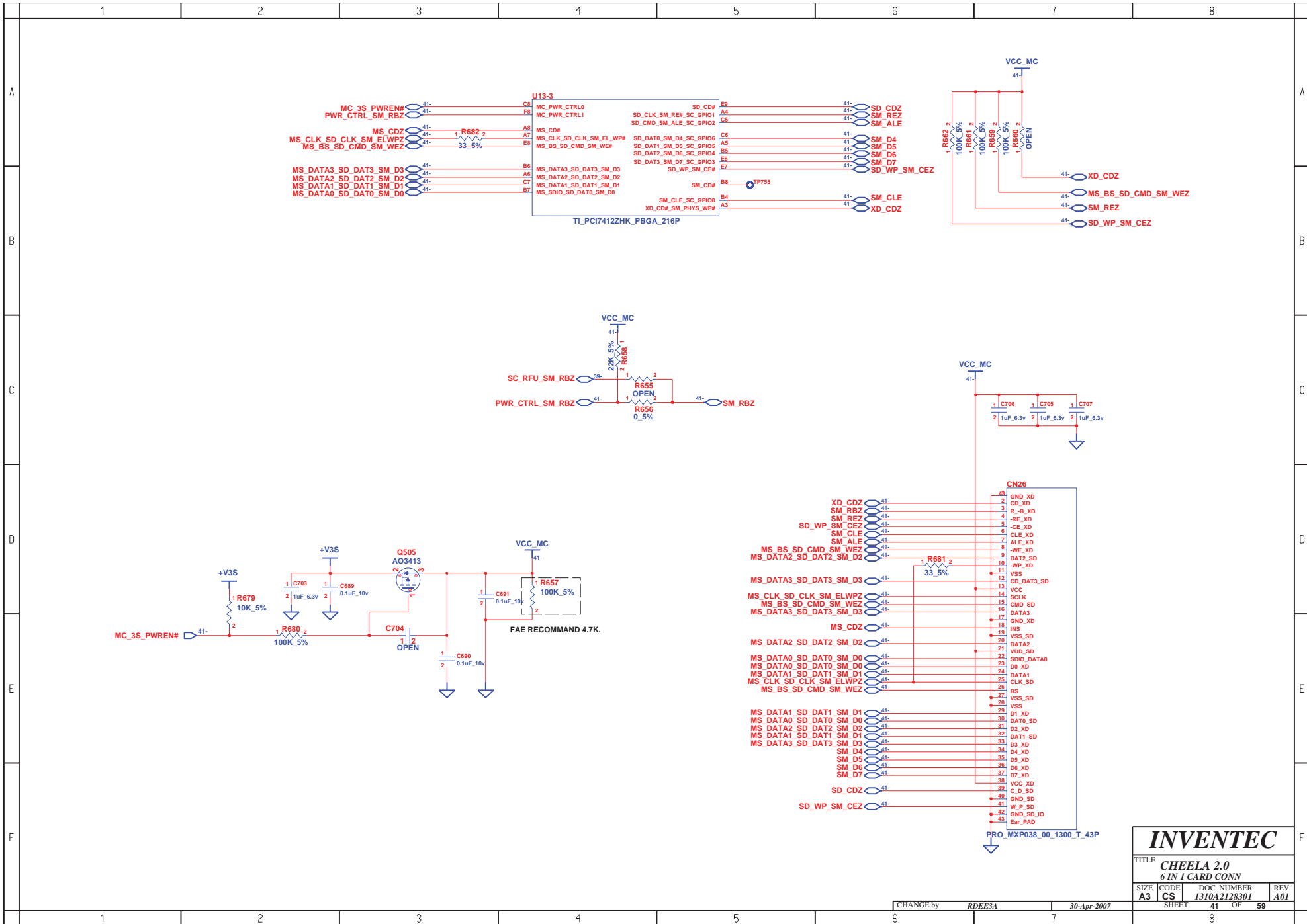
TITLE: **CHEELA 2.0 CARDBUS CONTROLLER**

SIZE	CODE	DOC. NUMBER	REV
A3	CS	1310A2128301	A01

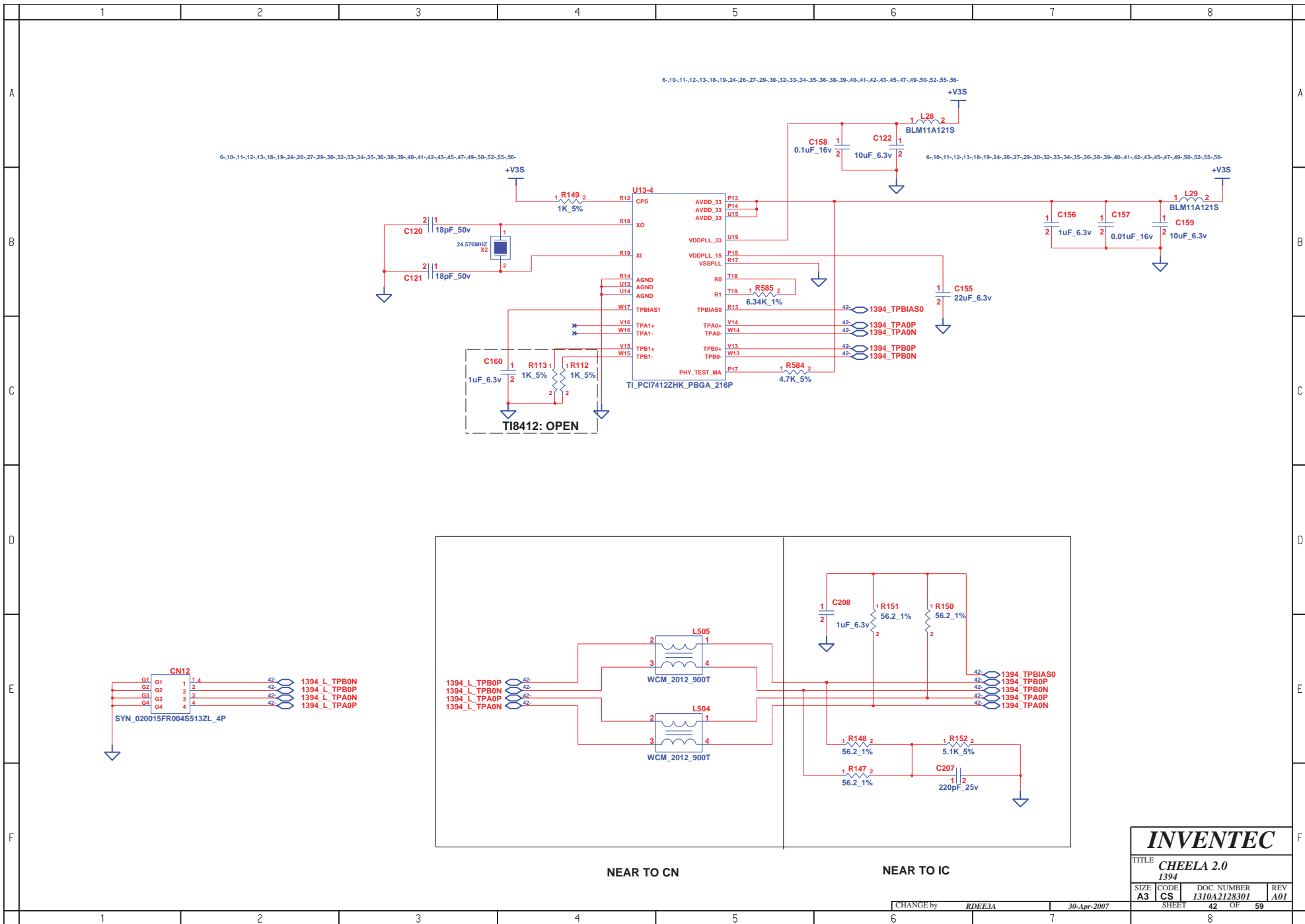
CHANGE by: RDEE3A 30-Apr-2007 SHEET 39 OF 59



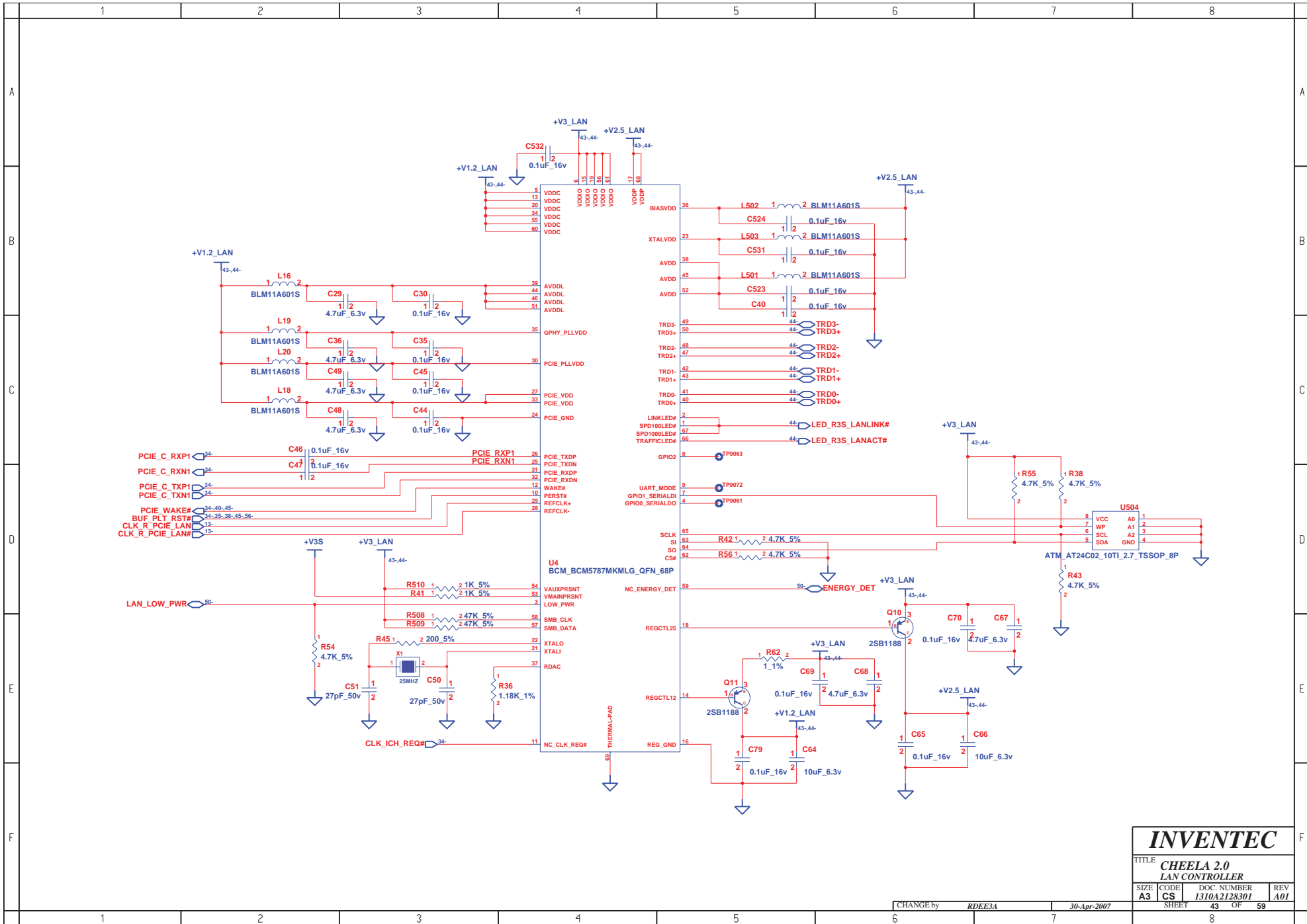
INVENTEC			
TITLE: CHEELA 2.0			
PCMCIA & EXPRESS CARD			
SIZE: A3	CODE: CS	DOC. NUMBER: 1310A2128301	REV: A01
CHANGE by: RDEE3A		30-Apr-2007	
SHEET: 40		OF: 59	



INVENTEC			
TITLE CHEELA 2.0 6 IN 1 CARD CONN			
SIZE A3	CODE CS	DOC. NUMBER 1310A2128301	REV A01
CHANGE by RDEE3A		30-Apr-2007	
SHEET 41		OF 59	



INVENTEC			
TITLE CHEELA 2.0			
1394			
SIZE	CODE	DOC. NUMBER	REV
A3	CS	1310A2128301	A01
CHANGE by		RDEE3A	30-Apr-2007
SHEET		42	OF 59

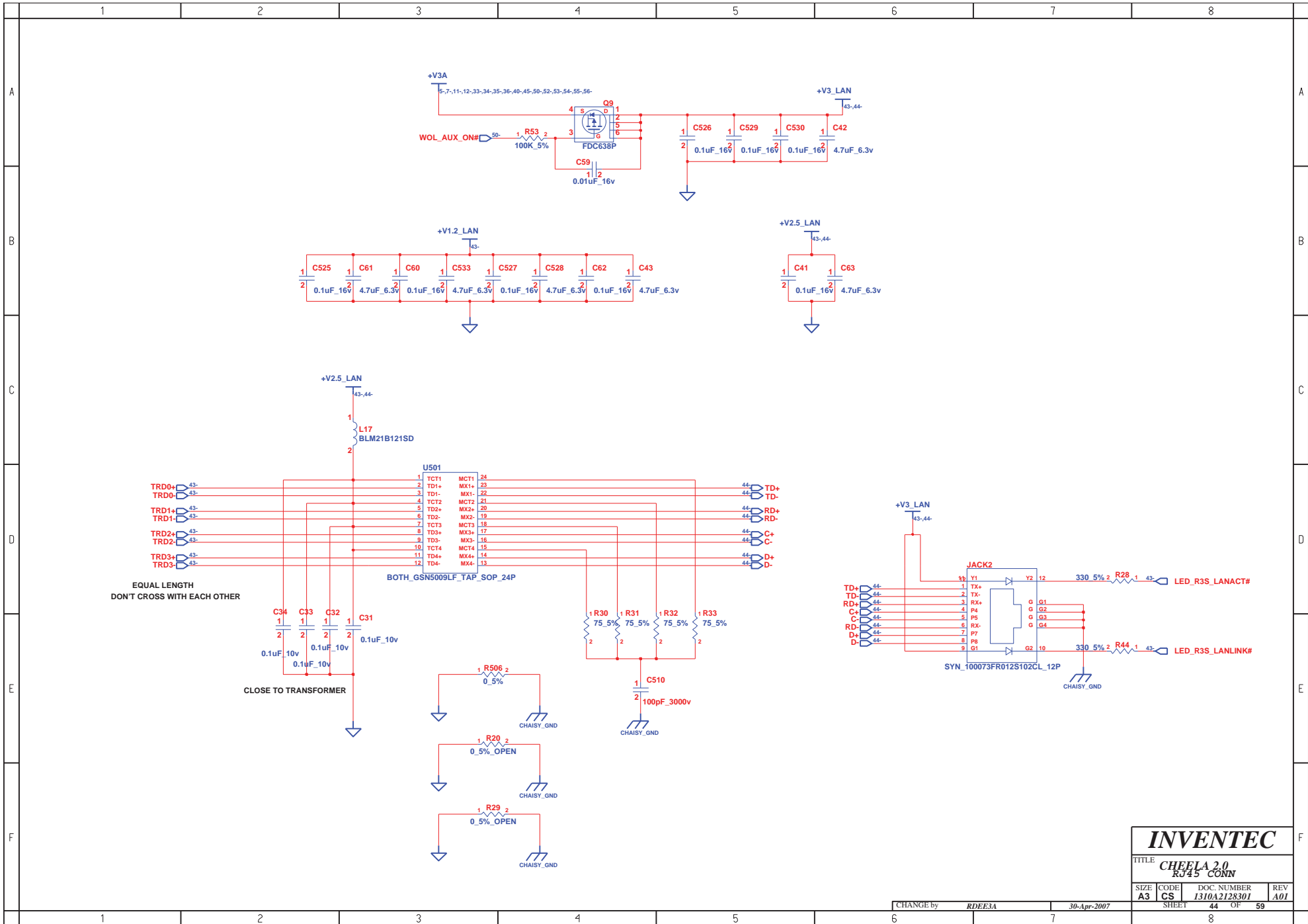


INVENTEC

TITLE
CHEELA 2.0
LAN CONTROLLER

SIZE A3	CODE CS	DOC. NUMBER 1310A2128301	REV A01
------------	------------	-----------------------------	------------

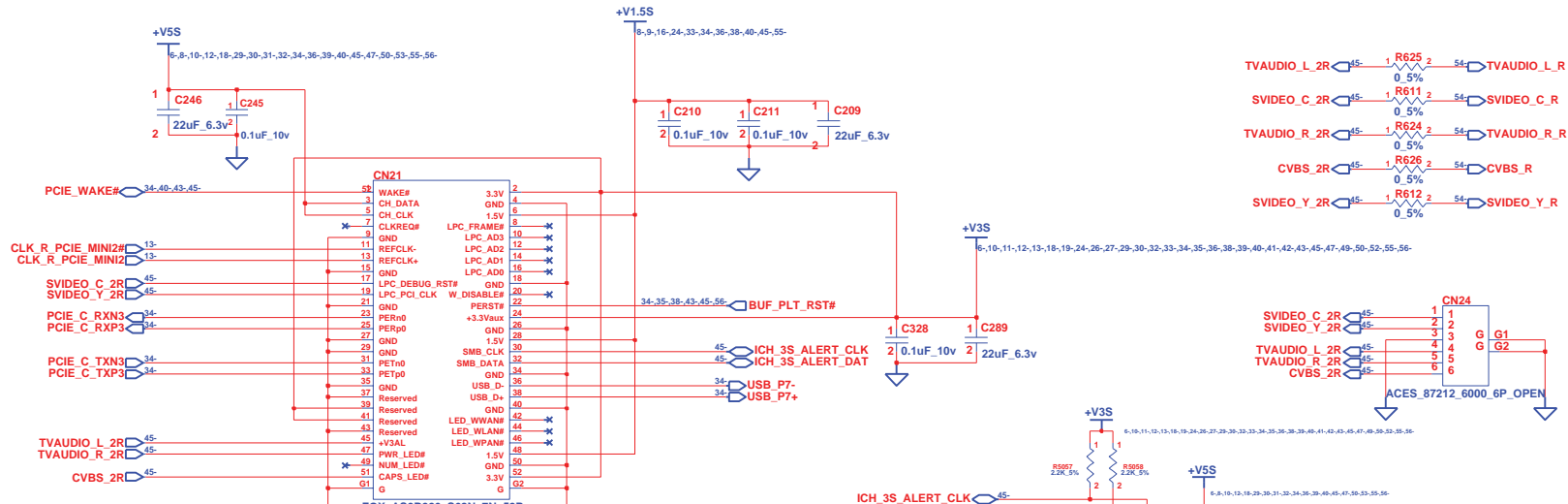
CHANGE by RDEE3A	30-Apr-2007	SHEET 43 OF 59
---------------------	-------------	-------------------



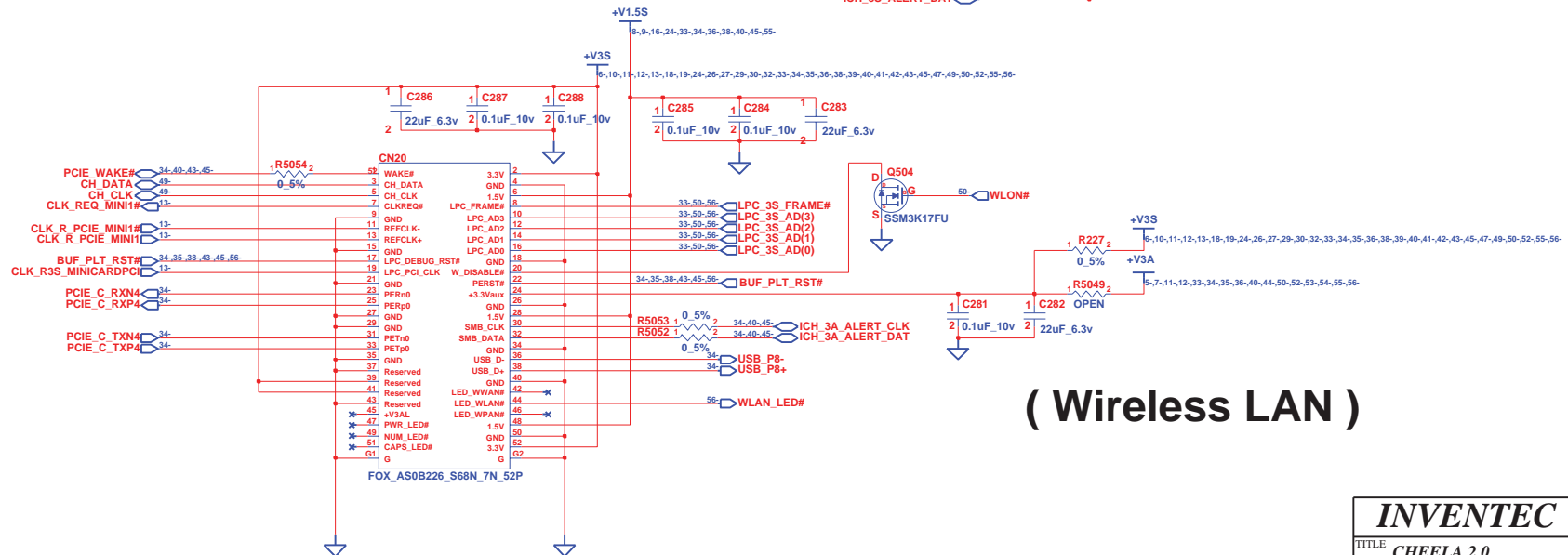
INVENTEC
 TITLE CHEELA 2.0
 RJ45 CONN

SIZE A3	CODE CS	DOC. NUMBER 1310A2128301	REV A01
------------	------------	-----------------------------	------------

(TV Tuner)



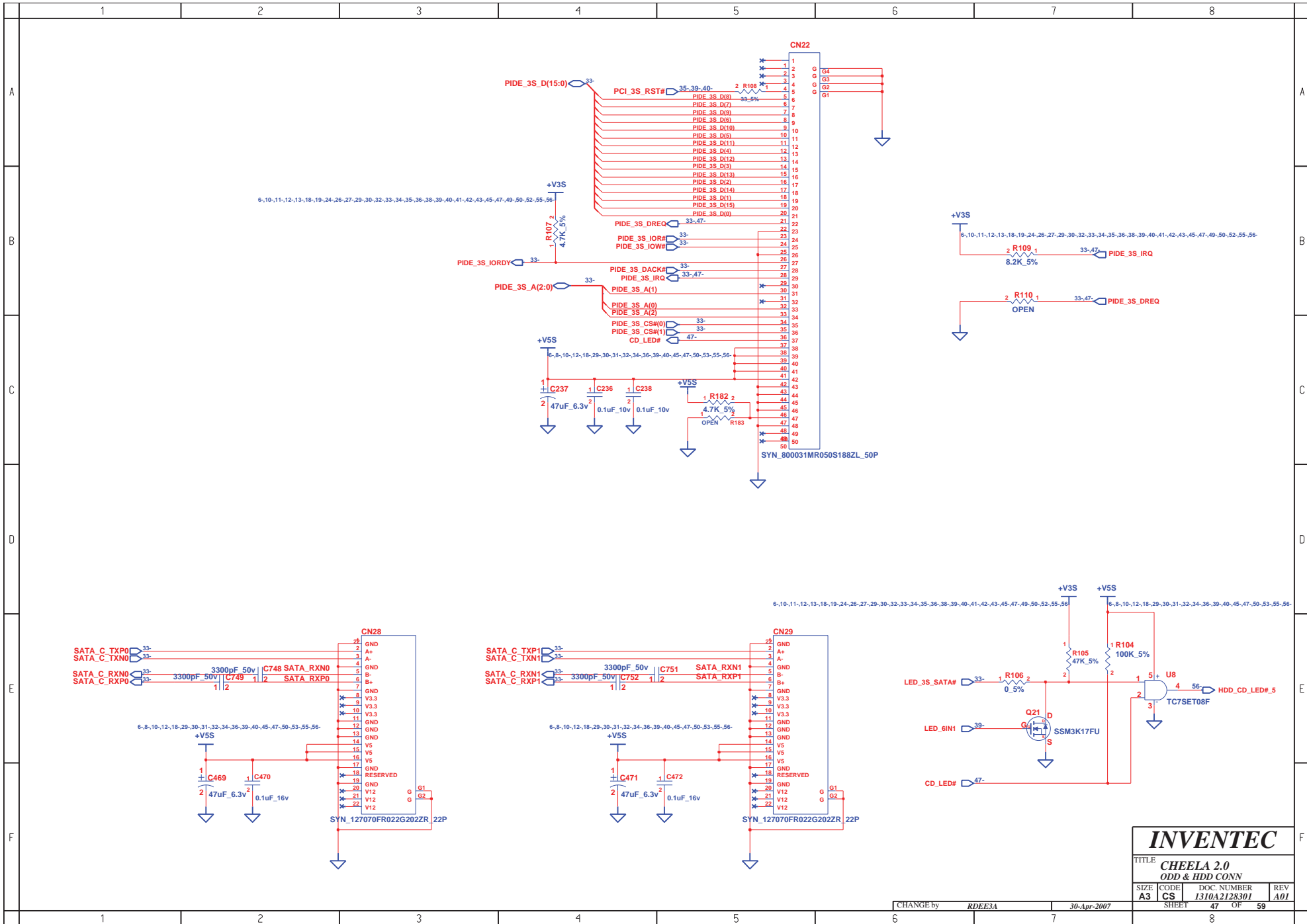
(Wireless LAN)



INVENTEC			
TITLE CHEELA 2.0 MINI CARD			
SIZE A3	CODE CS	DOC. NUMBER 1310A2128301	REV A01
CHANGE by RDEE3A		30-Apr-2007	
SHEET 45		OF 59	

	1	2	3	4	5	6	7	8	
A									A
B									B
C									C
D									D
E									E
F									F
	1	2	3	4	5	6	7	8	

INVENTEC			
TITLE CHEELA 2.0			
SIZE	CODE	DOC. NUMBER	REV
A3	CS	1310A2128301	A01
CHANGE by RDEE3A		30-Apr-2007	
		SHEET	46 OF 59
		8	

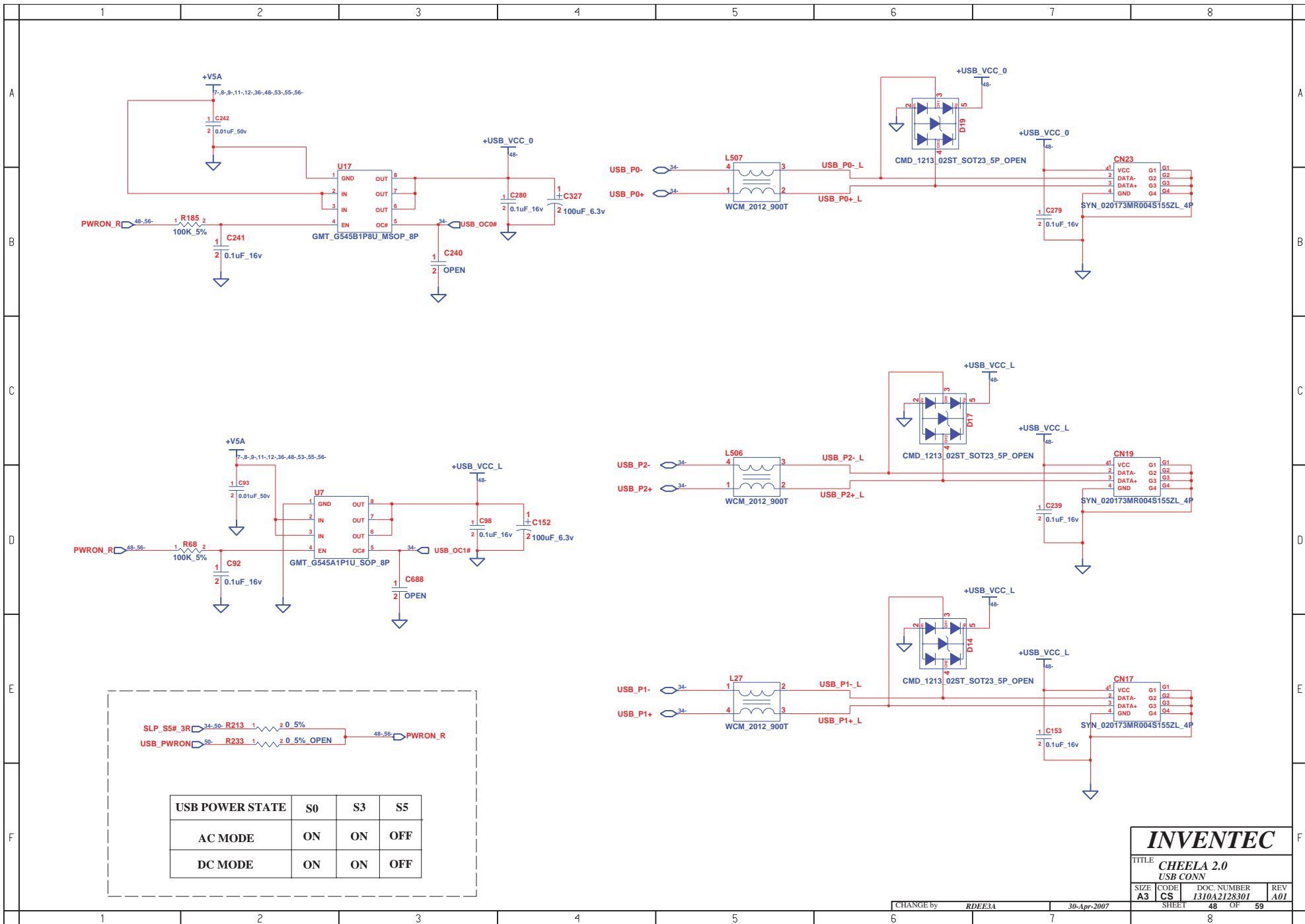


INVENTEC

TITLE
CHEELA 2.0
ODD & HDD CONN

SIZE A3	CODE CS	DOC. NUMBER 1310A2128301	REV A01
------------	------------	-----------------------------	------------

CHANGE by RDEE3A	30-Apr-2007	SHEET 47	OF 59
---------------------	-------------	-------------	----------



USB POWER STATE	S0	S3	S5
AC MODE	ON	ON	OFF
DC MODE	ON	ON	OFF

INVENTEC

TITLE
CHEELA 2.0
USB CONN

SIZE A3	CODE CS	DOC. NUMBER 1310A2128301	REV A01
------------	------------	-----------------------------	------------

CHANGE by RDEE3A 30-Apr-2007

SHEET 48 OF 59

1 2 3 4 5 6 7 8

A

B

C

D

E

F

A

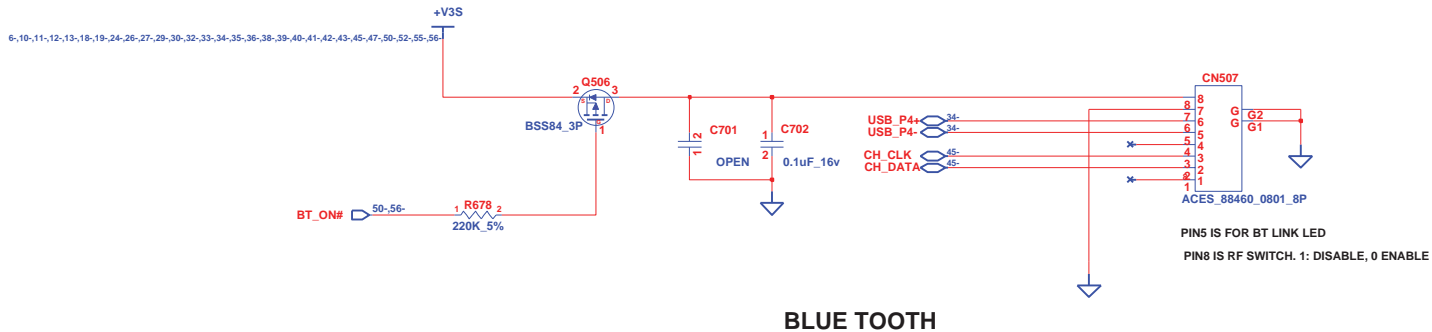
B

C

D

E

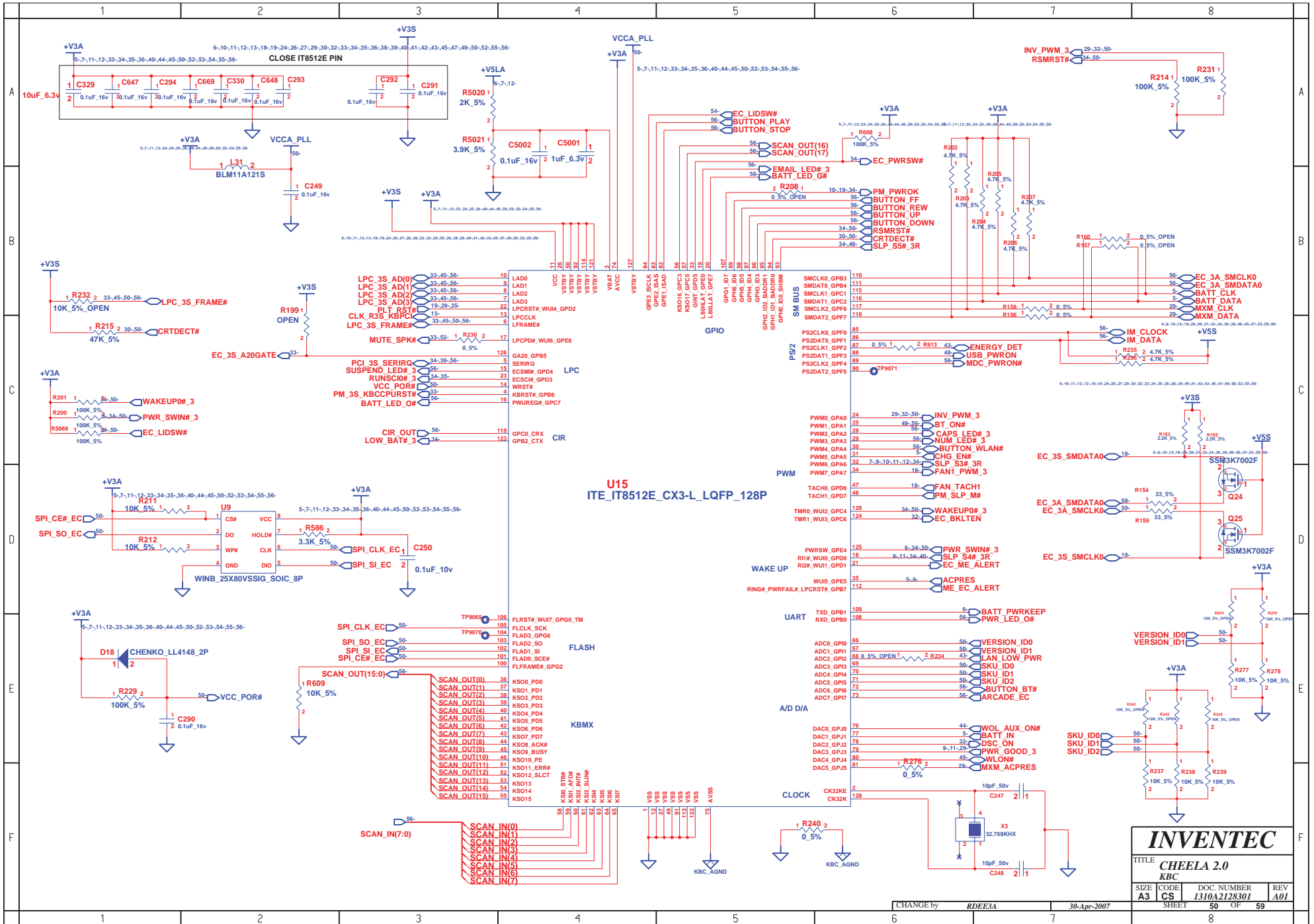
F



INVENTEC			
TITLE CHEELA 2.0 BLUETOOTH			
SIZE A3	CODE CS	DOC. NUMBER 1310A2128301	REV A01

CHANGE by	RDEE3A	30-Apr-2007	SHEET	49	OF	59
-----------	---------------	--------------------	-------	-----------	----	-----------

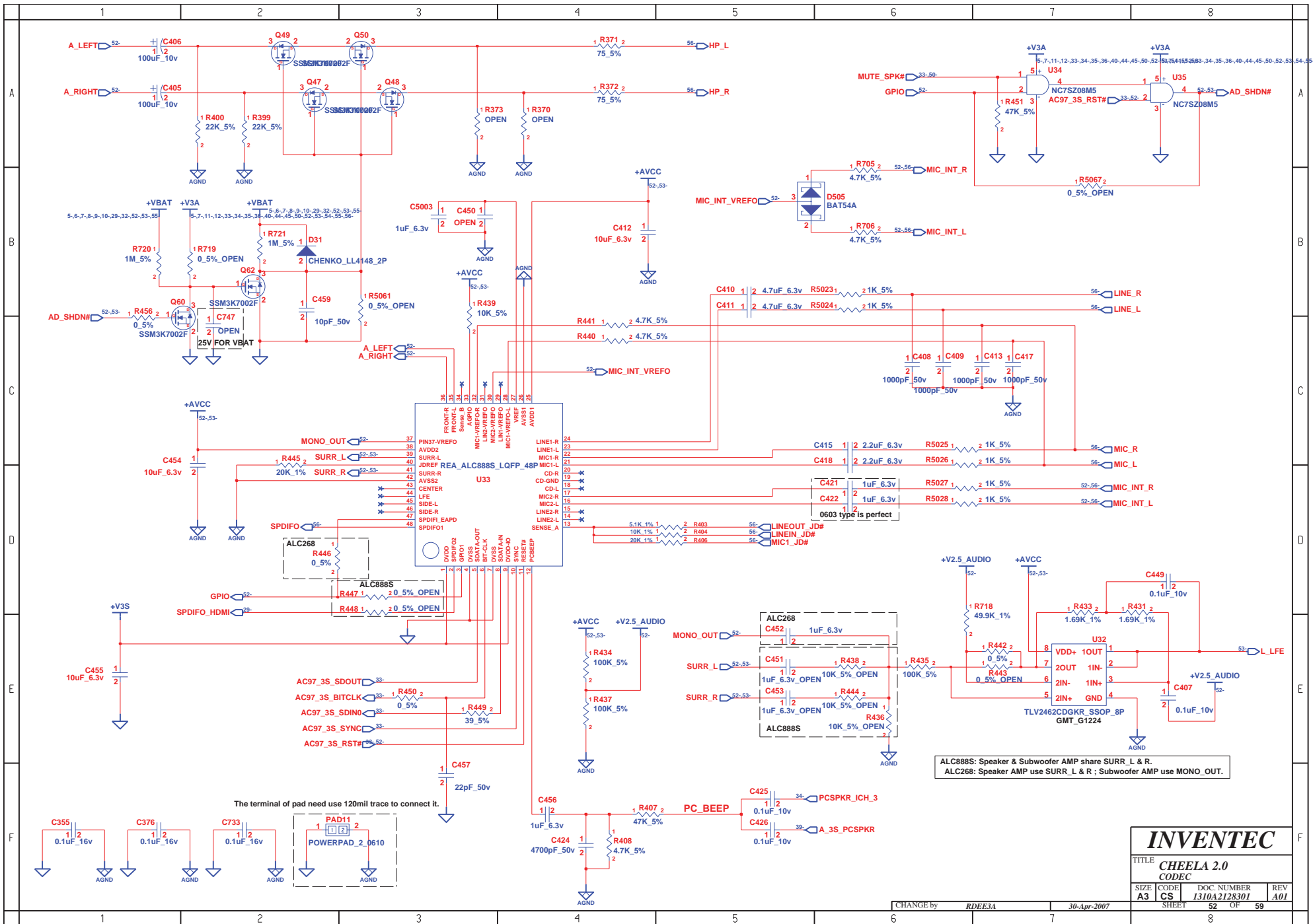
1 2 3 4 5 6 7 8



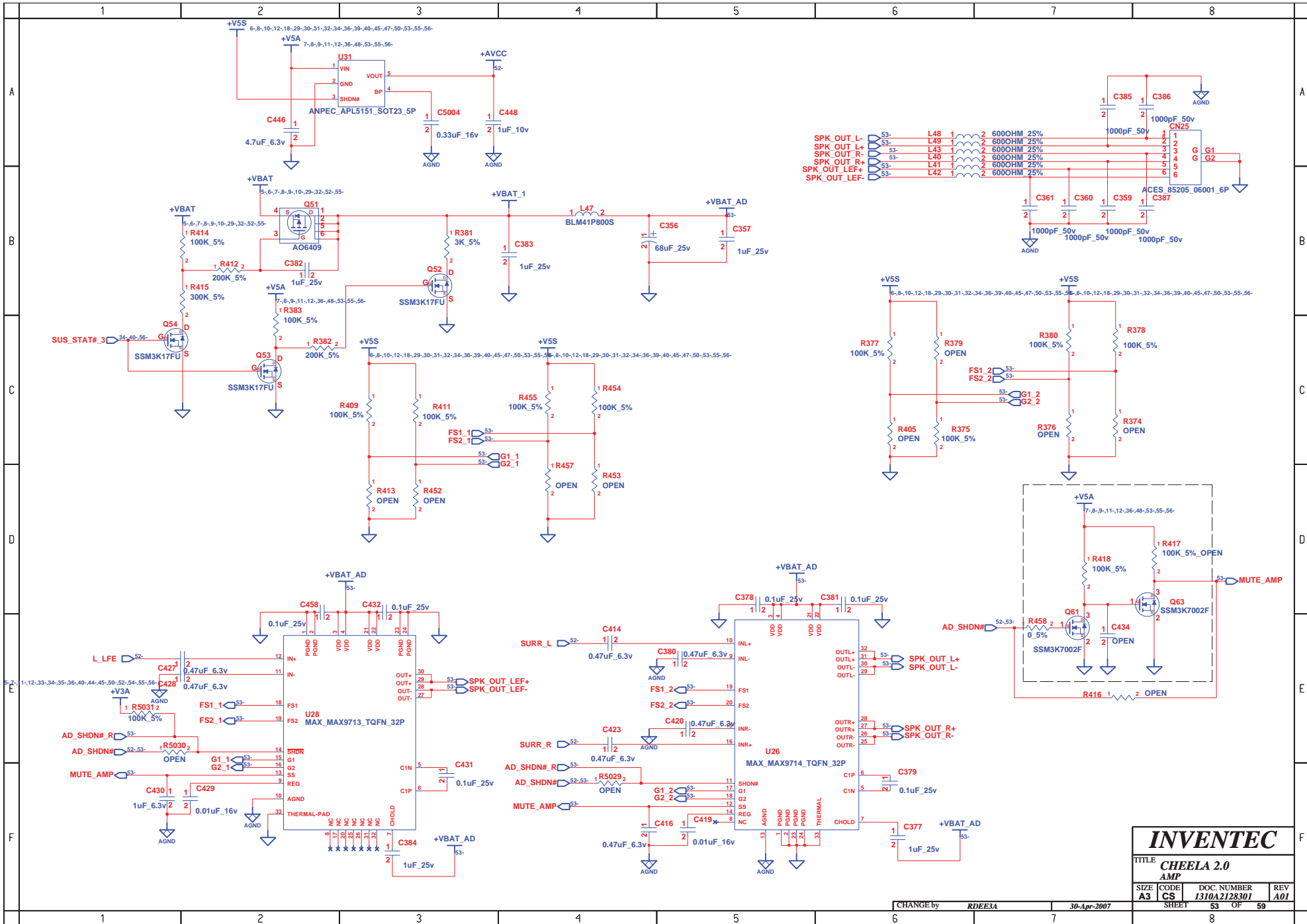
INVENTEC			
TITLE CHEELA 2.0			
KBC			
SIZE	CODE	DOC. NUMBER	REV
A3	CS	1310A2128301	A01

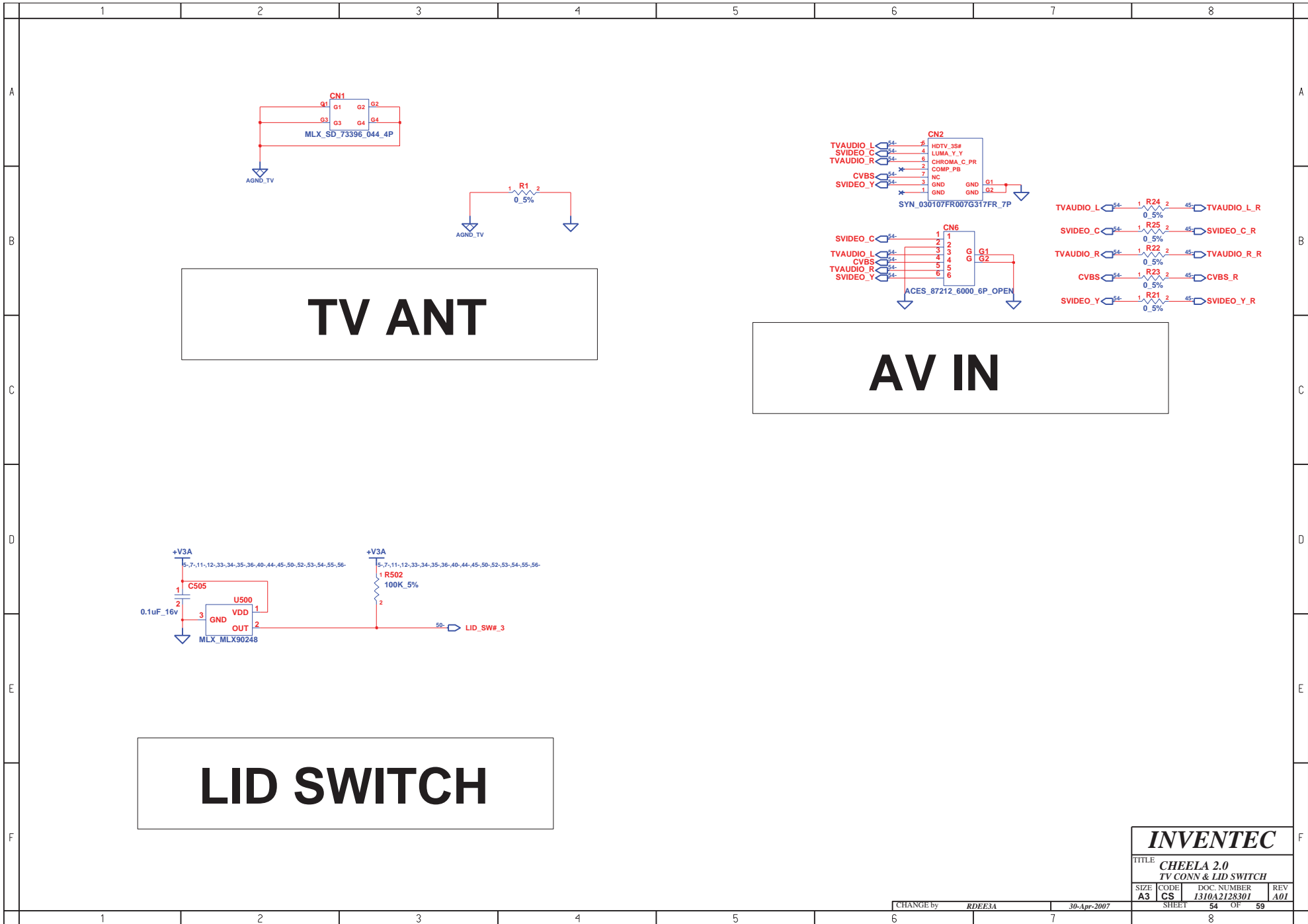
	1	2	3	4	5	6	7	8	
A									A
B									B
C									C
D									D
E									E
F									F
	1	2	3	4	5	6	7	8	

INVENTEC			
TITLE CHEELA 2.0			
SIZE	CODE	DOC. NUMBER	REV
A3	CS	1310A2128301	A01
CHANGE by RDEE3A		30-Apr-2007	
SHEET		51	OF 59
		8	



INVENTEC			
TITLE CHEELA 2.0 CODEC			
SIZE A3	CODE CS	DOC. NUMBER 1310A2128301	REV A01
CHANGE by RDEE3A		30-Apr-2007	
SHEET 52		OF 59	





TV ANT

AV IN

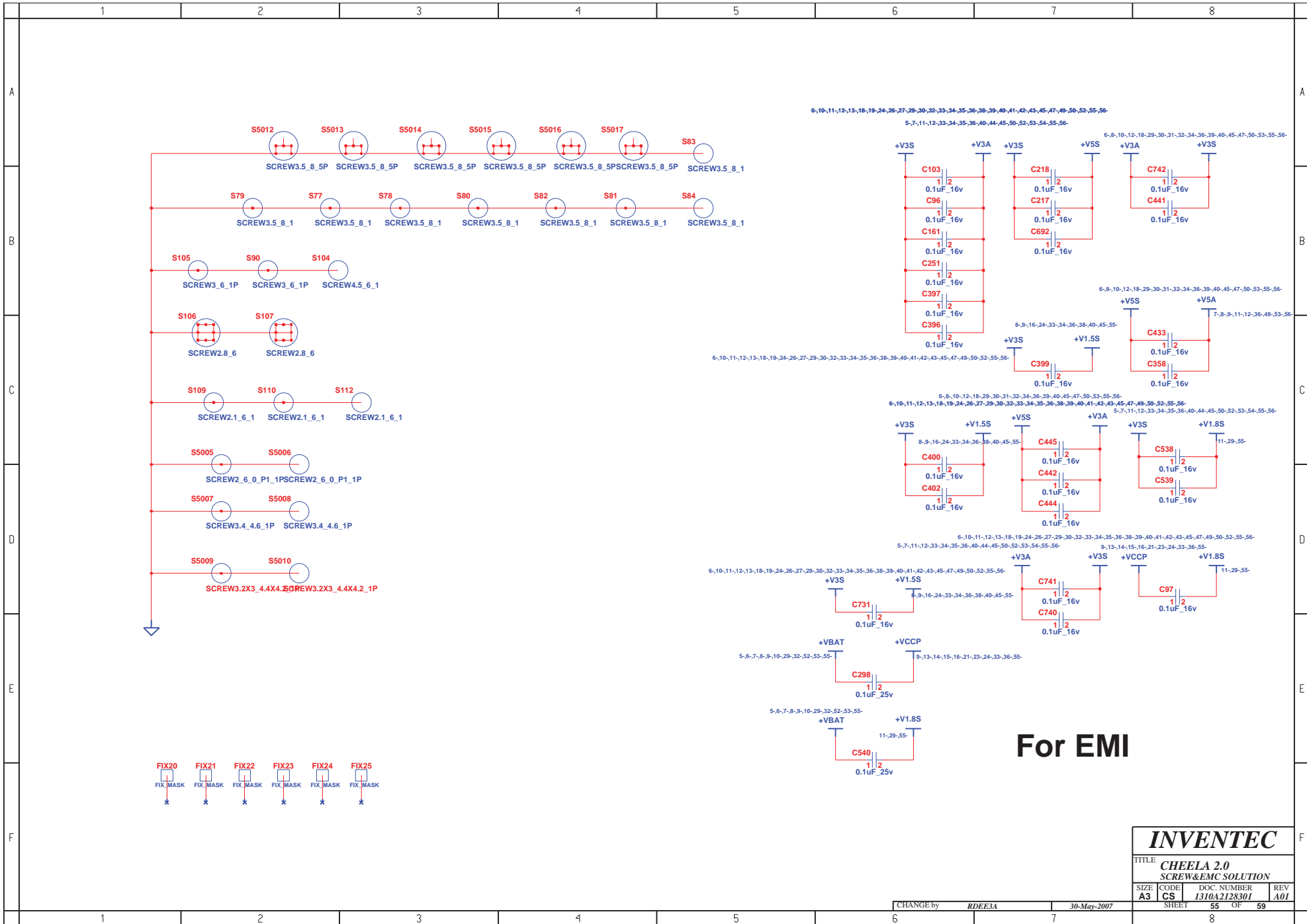
LID SWITCH

INVENTEC

TITLE
CHEELA 2.0
TV CONN & LID SWITCH

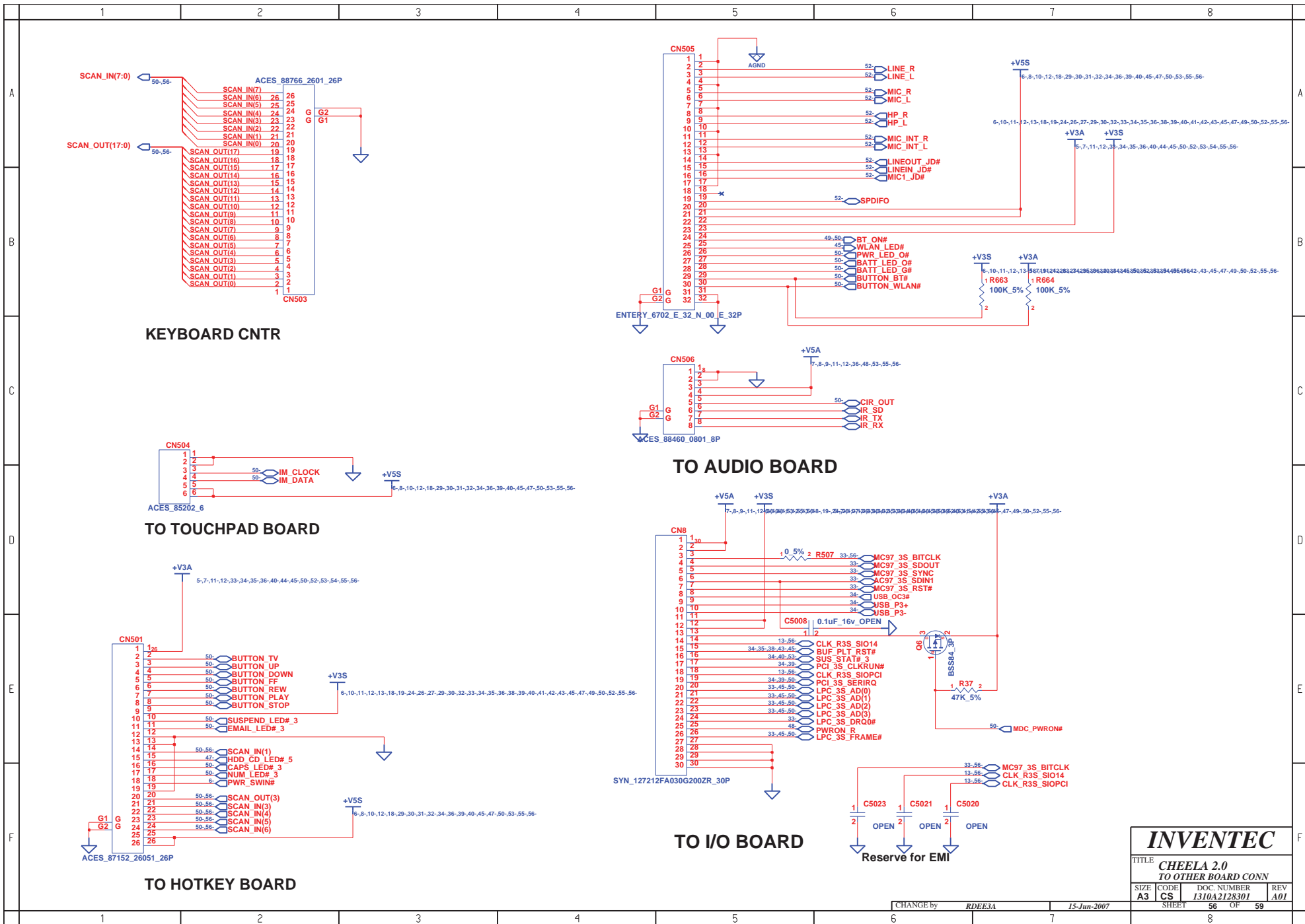
SIZE A3	CODE CS	DOC. NUMBER 1310A2128301	REV A01
-------------------	-------------------	------------------------------------	-------------------

CHANGE by RDEE3A	30-Apr-2007	SHEET 54	OF 59
----------------------------	--------------------	--------------------	-----------------



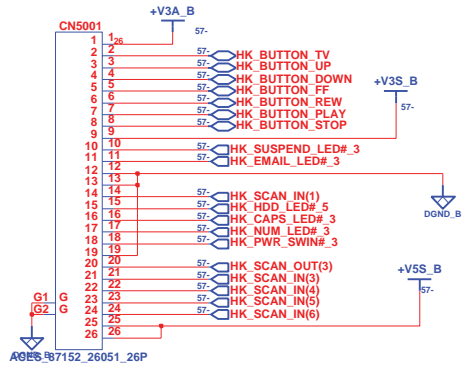
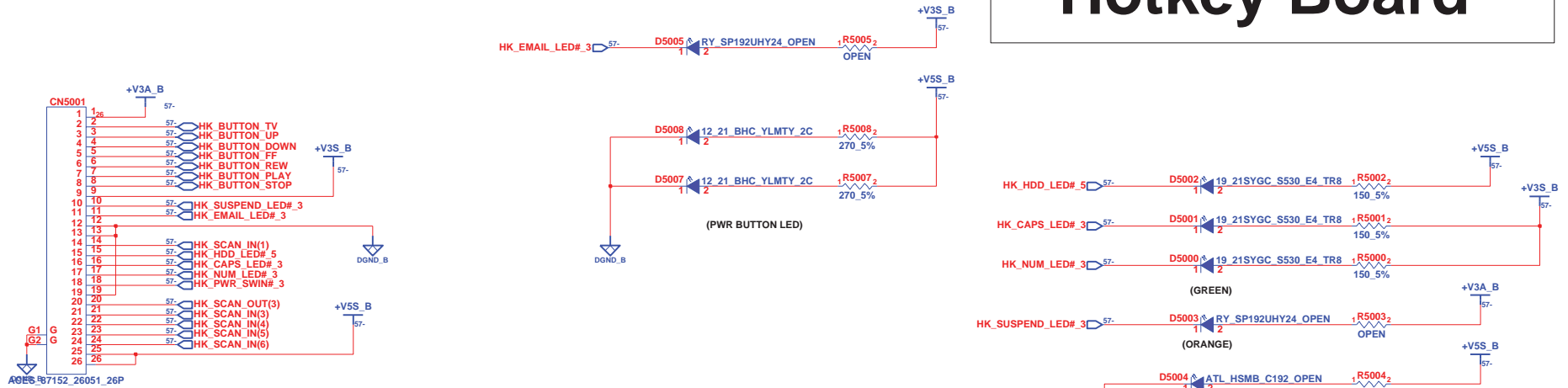
For EMI

INVENTEC			
TITLE CHEELA 2.0 SCREW&EMC SOLUTION			
SIZE A3	CODE CS	DOC NUMBER 1310A2128301	REV A01
CHANGE by RDEE3A		30-May-2007	
SHEET 55		OF 59	

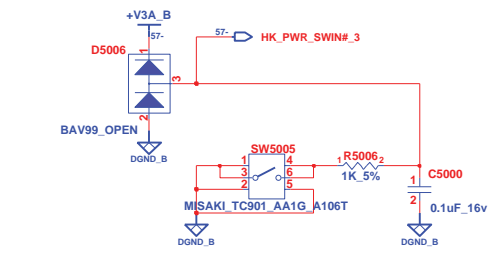


INVENTEC			
TITLE CHEELA 2.0 TO OTHER BOARD CONN			
SIZE A3	CODE CS	DOC. NUMBER 1310A2128301	REV A01
CHANGE by RDEE3A		15-Jun-2007	
SHEET 56		OF 59	

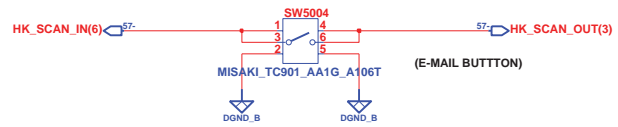
Hotkey Board



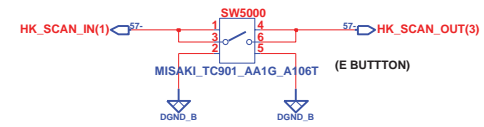
TO MB PAGE56



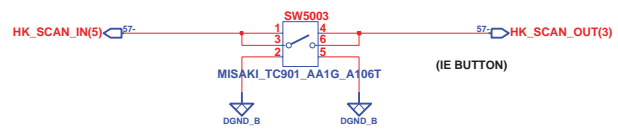
PWR SWITCH



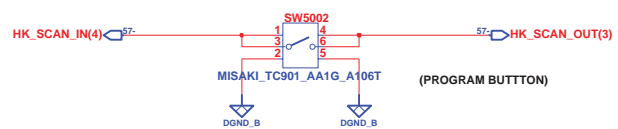
(E-MAIL BUTTON)



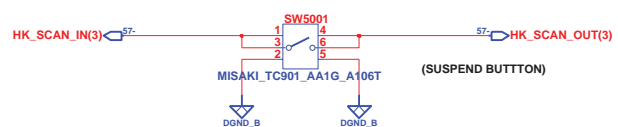
(E BUTTTON)



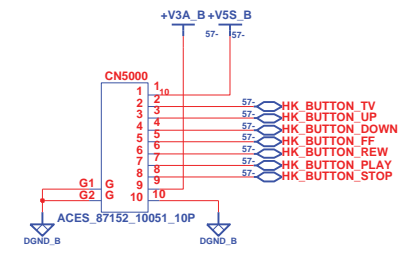
(IE BUTTON)



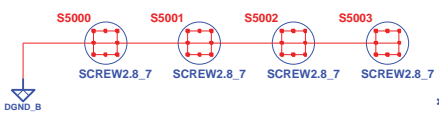
(PROGRAM BUTTTON)



(SUSPEND BUTTTON)



TO MEDIA BOARD



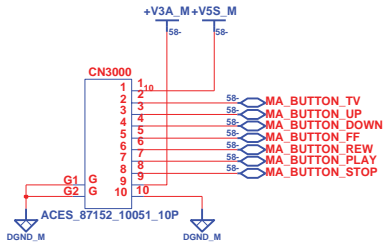
INVENTEC

TITLE: CHEELA 2.0 HOTKEY BOARD

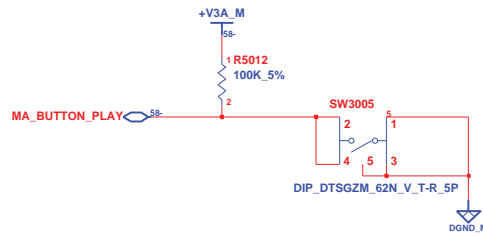
SIZE: A3 CODE: CS DOC. NUMBER: 1310A2128301 REV: A01

CHANGE by: RDEE3A 30-Apr-2007 SHEET 57 OF 59

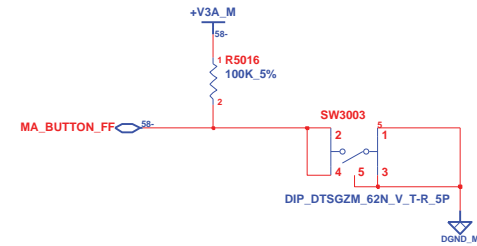
MEDIA Board



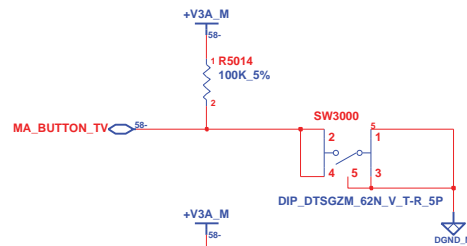
TO HOTKEY BOARD



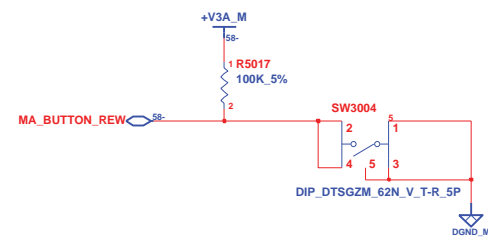
PLAY/PAUSE



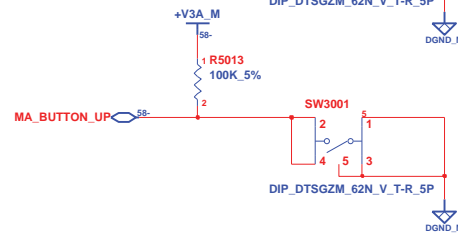
FF



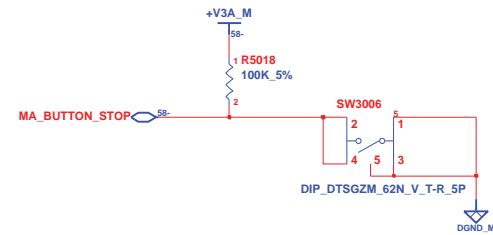
TV



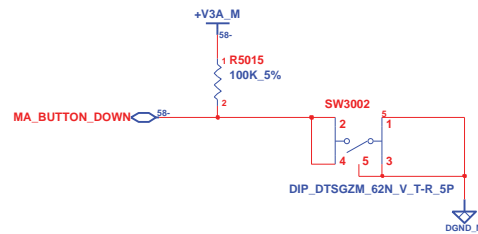
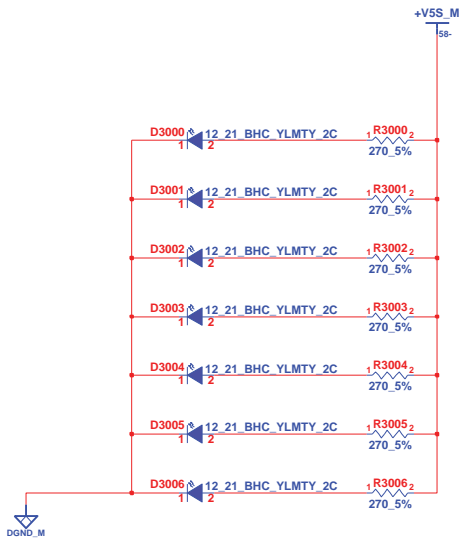
REW



VOL UP



STOP



VOL DOWN



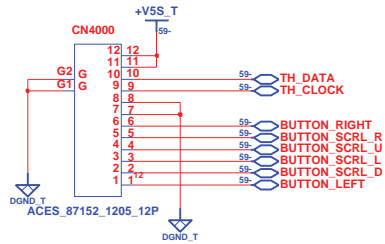
INVENTEC

TITLE			
CHEELA 2.0			
MEDIA BOARD			
SIZE	CODE	DOC. NUMBER	REV
A3	CS	1310A2128301	A01

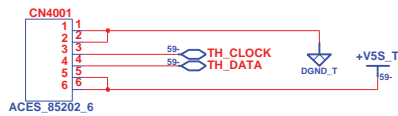
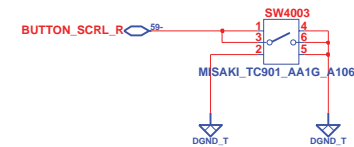
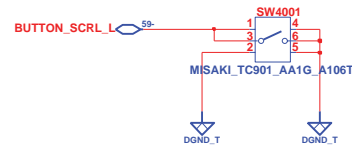
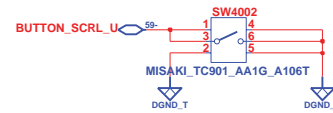
CHANGE by RDEE3A 30-Apr-2007

SHEET 58 OF 59

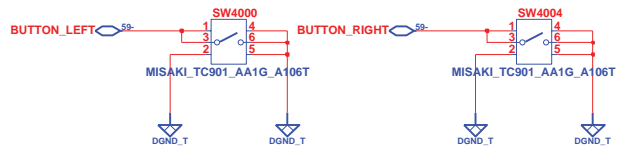
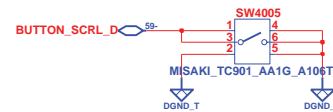
TOUCH PAD BUTTON BOARD



TO TOUCH PAD



TO MB PAGE 56



INVENTEC

TITLE			CHEELA 2.0		
CODE			TH BUTTON BOARD		
SIZE	CODE	DOC. NUMBER	REV		
A3	CS	1310A2128301	A01		

CHANGE by RDEE3A 30-Apr-2007

SHEET 59 OF 59