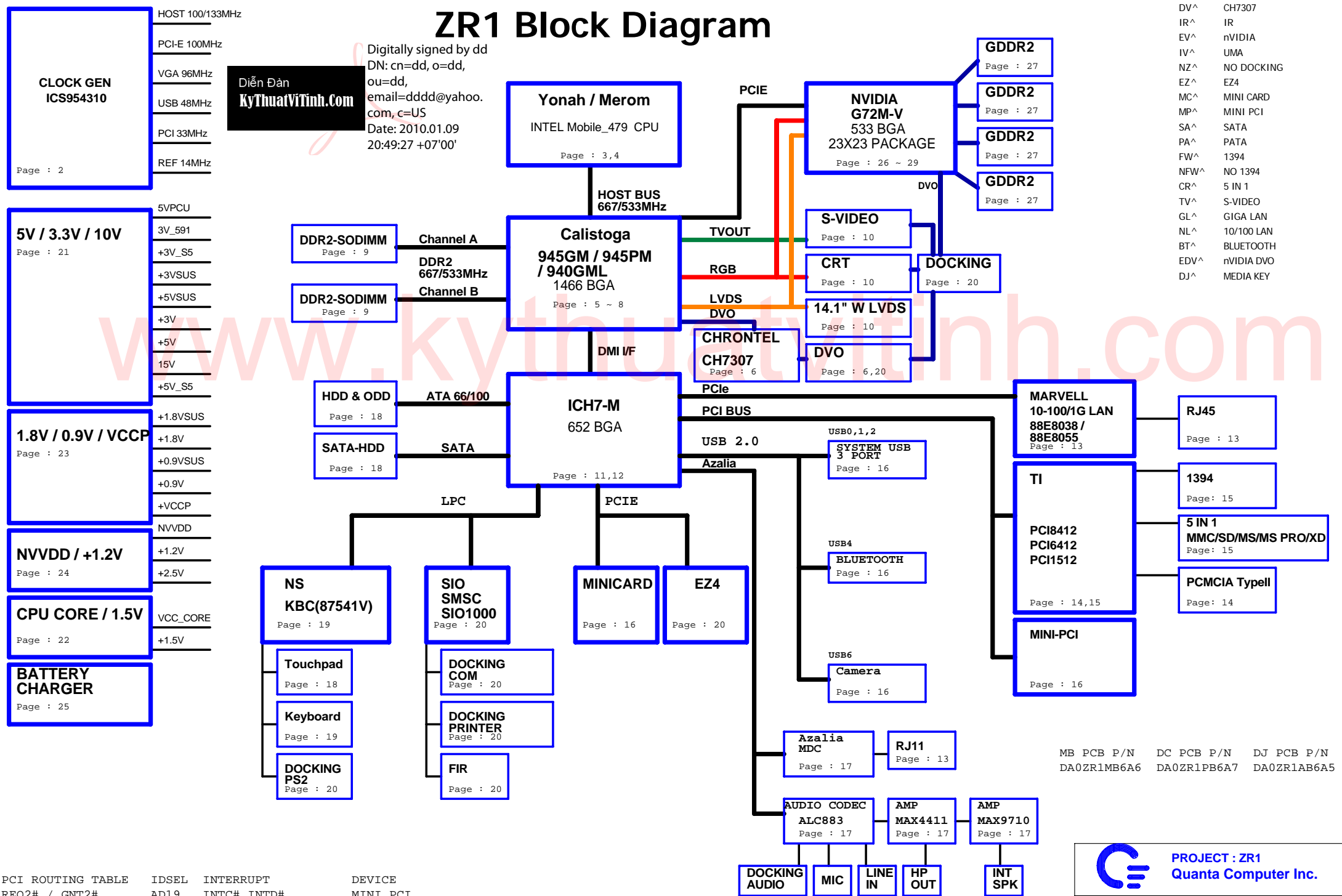


ZR1 Block Diagram

Điện Đản
KyThuatViTinh.Com

Digitally signed by dd
DN: cn=dd, o=dd,
ou=dd, email=dddd@yahoo.
com, c=US
Date: 2010.01.09
20:49:27 +07'00'



- DV^ CH7307
- IR^ IR
- EV^ nVIDIA
- IV^ UMA
- NZ^ NO DOCKING
- EZ^ EZ4
- MC^ MINI CARD
- MP^ MINI PCI
- SA^ SATA
- PA^ PATA
- FW^ 1394
- NFW^ NO 1394
- CR^ 5 IN 1
- TV^ S-VIDEO
- GL^ GIGA LAN
- NL^ 10/100 LAN
- BT^ BLUETOOTH
- EDV^ nVIDIA DVO
- DJ^ MEDIA KEY

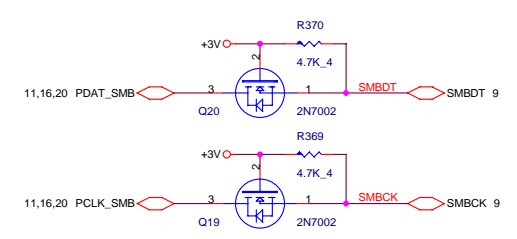
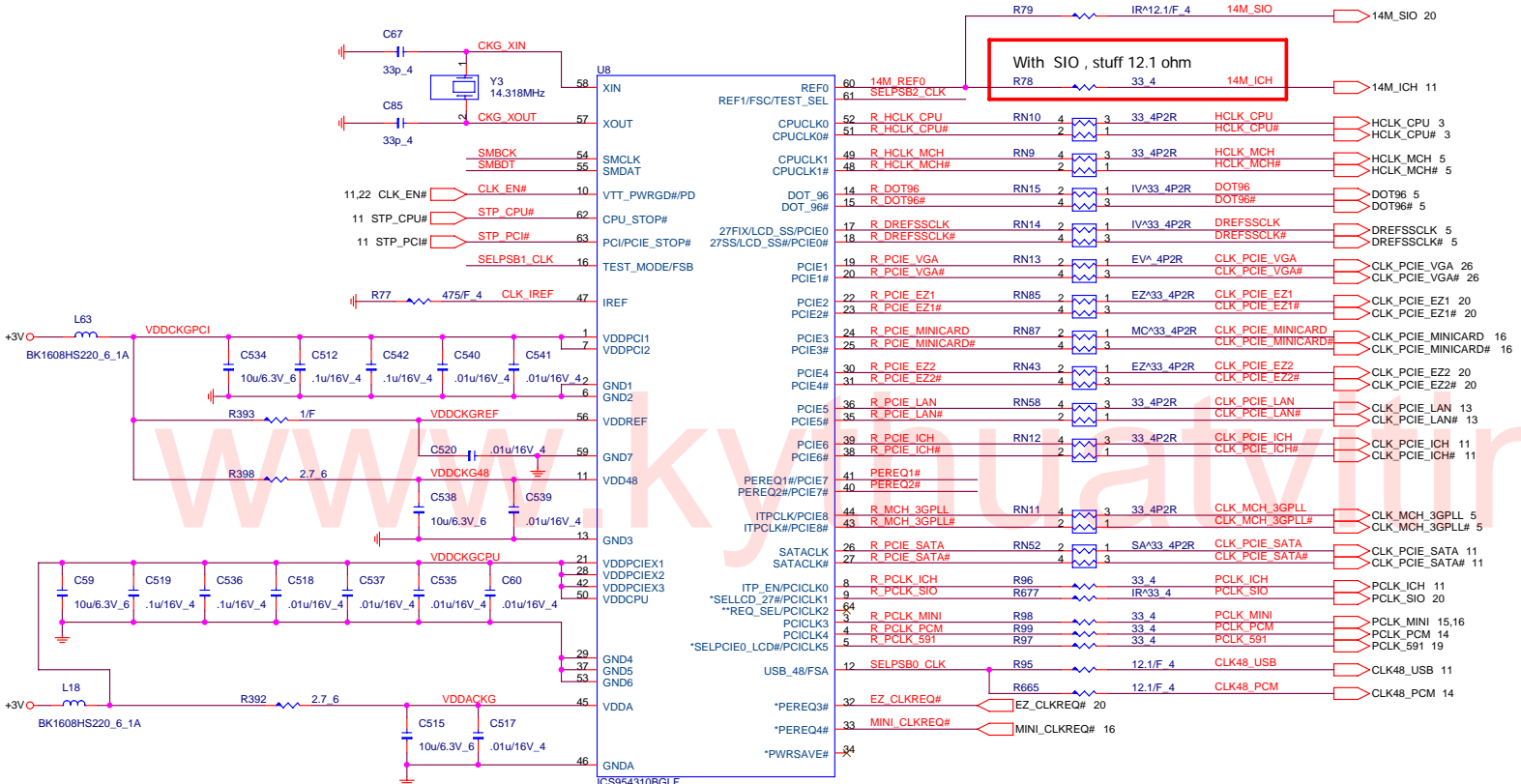
PCI ROUTING TABLE	IDSEL	INTERRUPT	DEVICE
REQ2# / GNT2#	AD19	INTC#, INTD#	MINI PCI
REQ0# / GNT0#	AD25	INTE#, INTF#, INTG#	TI XX12

MB PCB P/N DA0ZR1MB6A6 DC PCB P/N DA0ZR1PB6A7 DJ PCB P/N DA0ZR1AB6A5

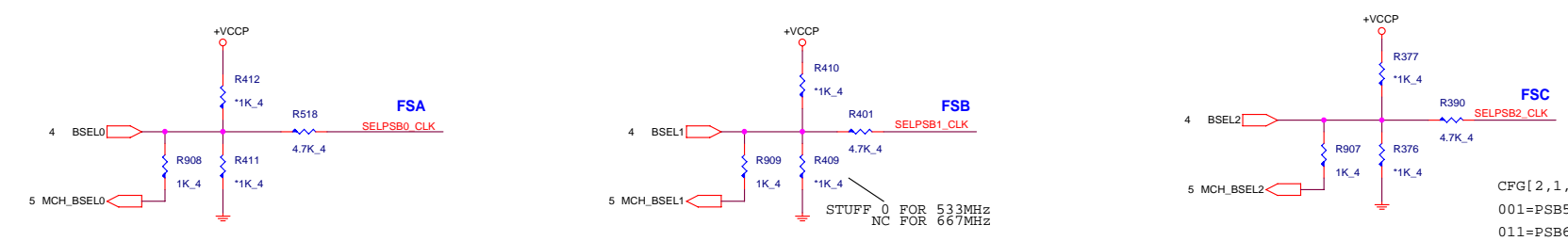
PROJECT : ZR1
Quanta Computer Inc.

Size	Document Number	Rev
	BLOCK DIAGRAM	1A
Date: Wednesday, March 29, 2006	Sheet	1 of 29

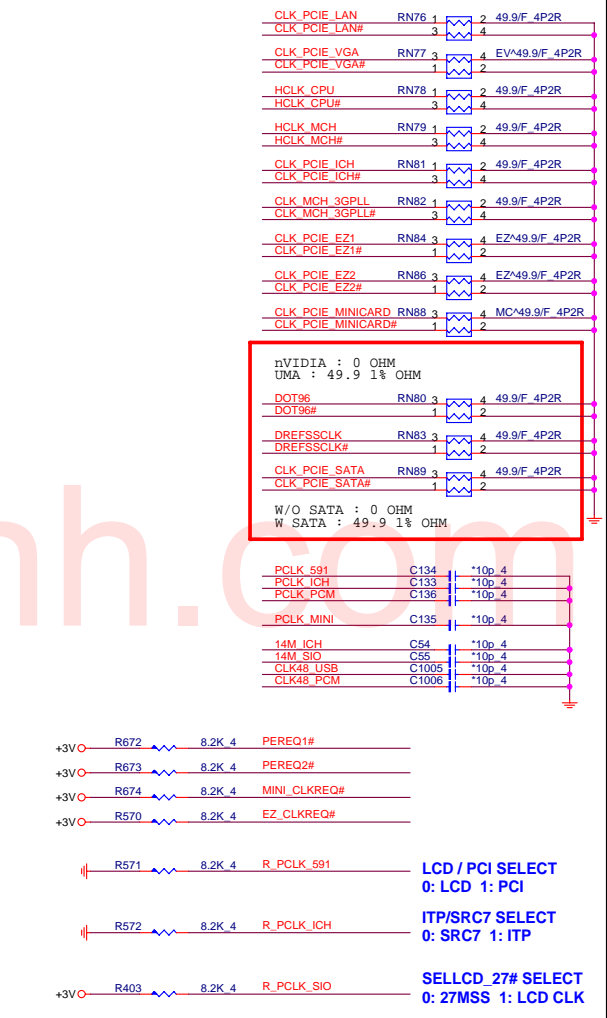
CLOCK GENERATOR



PEREQ1# --> PCIE0 & PCIE6
 PEREQ2# --> PCIE1 & PCIE8
 PEREQ3# --> PCIE2 & PCIE4
 PEREQ4# --> PCIE3 & PCIE5 & PCIE7



STUPF 0 FOR 533MHz
 NC FOR 667MHz



FSB SETTING

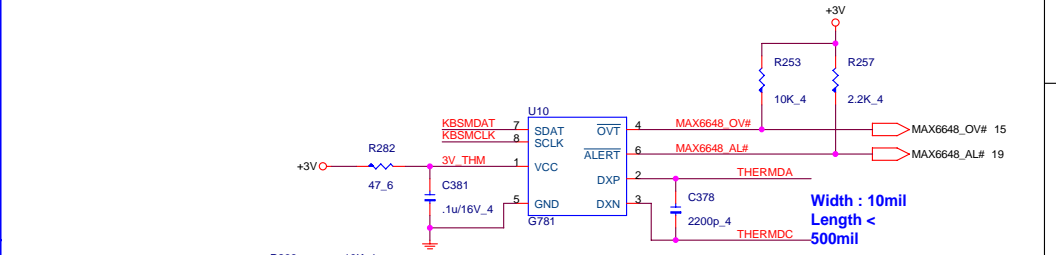
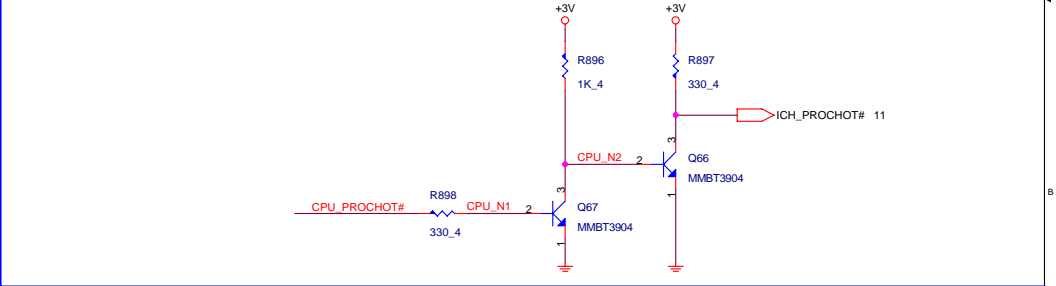
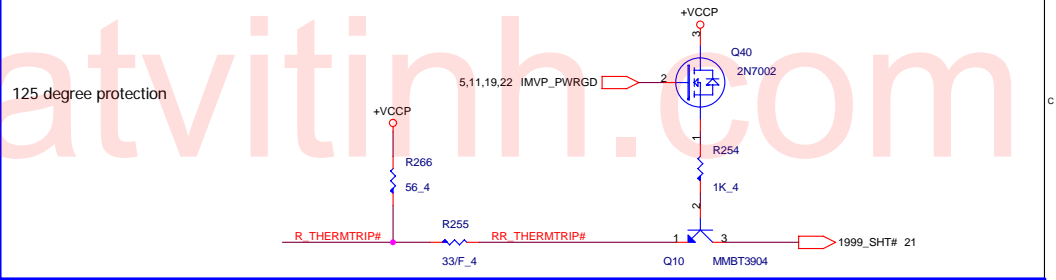
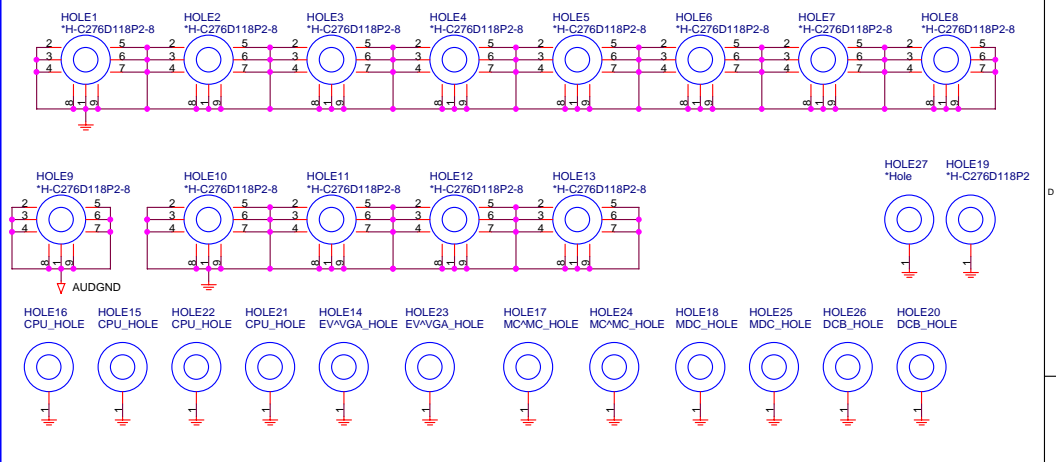
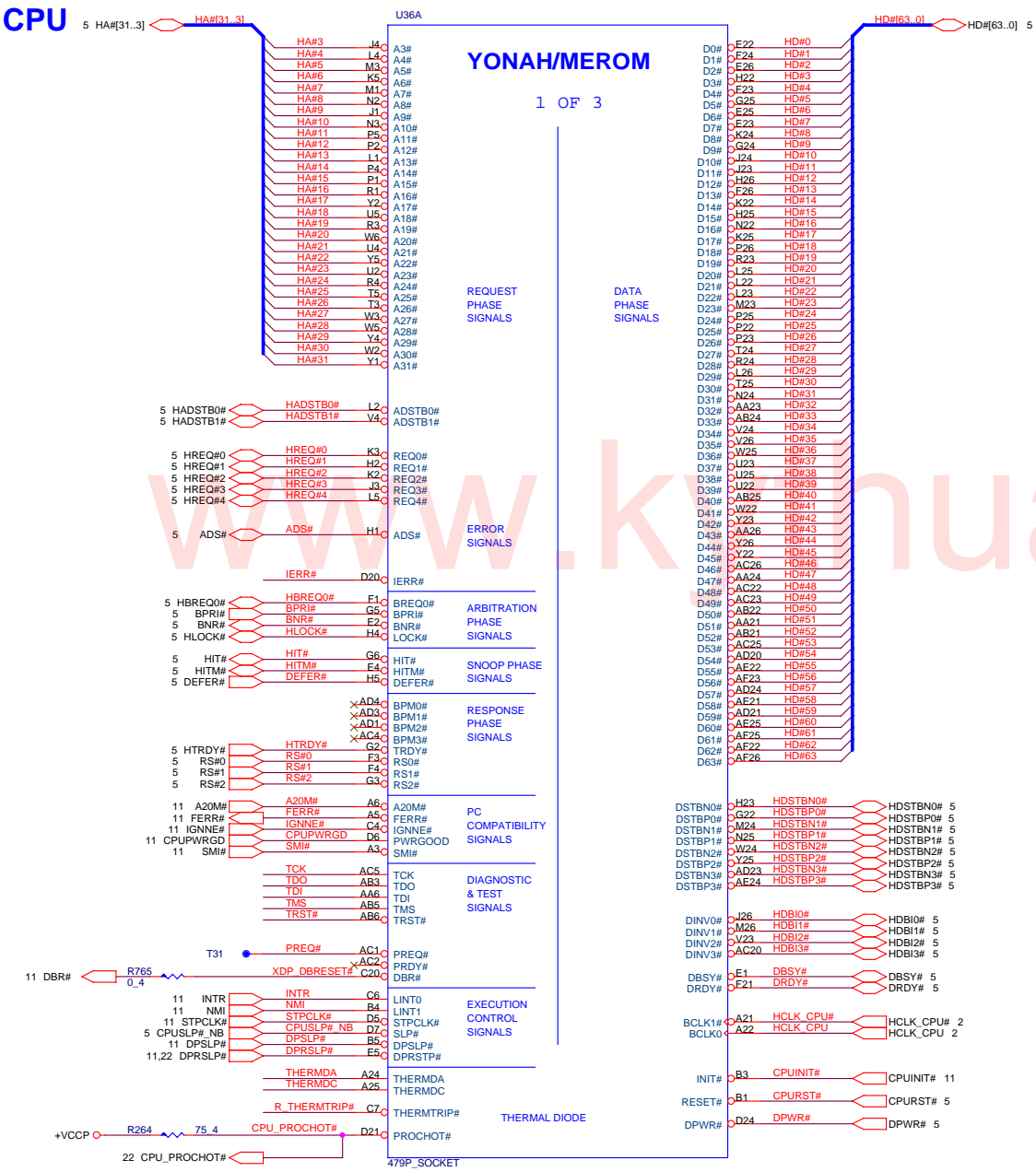
FSC	FSB	FSA	CPU	PCIE	PCI
0	0	0	266	100	33
0	0	1	133	100	33
0	1	0	200	100	33
0	1	1	166	100	33
1	0	0	333	100	33
1	0	1	100	100	33
1	1	0	400	100	33
1	1	1	200	100	33

PROJECT : ZR1
Quanta Computer Inc.

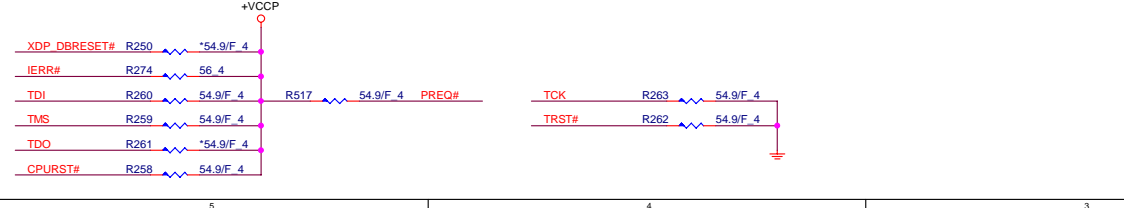
Size: Document Number
CLOCK GENERATOR
 Rev 1A

Date: Wednesday, March 29, 2006 Sheet 2 of 29

CFG[2,1,0]
 001=PSB533
 011=PSB667



MAXIM 6657 : AL006657020
GMT 7811 : AL000781101



PROJECT : ZR1
Quanta Computer Inc.

Size Document Number
CPU (HOST)
Date: Wednesday, March 29, 2006 Sheet 3 of 29 Rev 1A

CPU

COMPO - COMP3
Width : 20mil
Length < 500mil

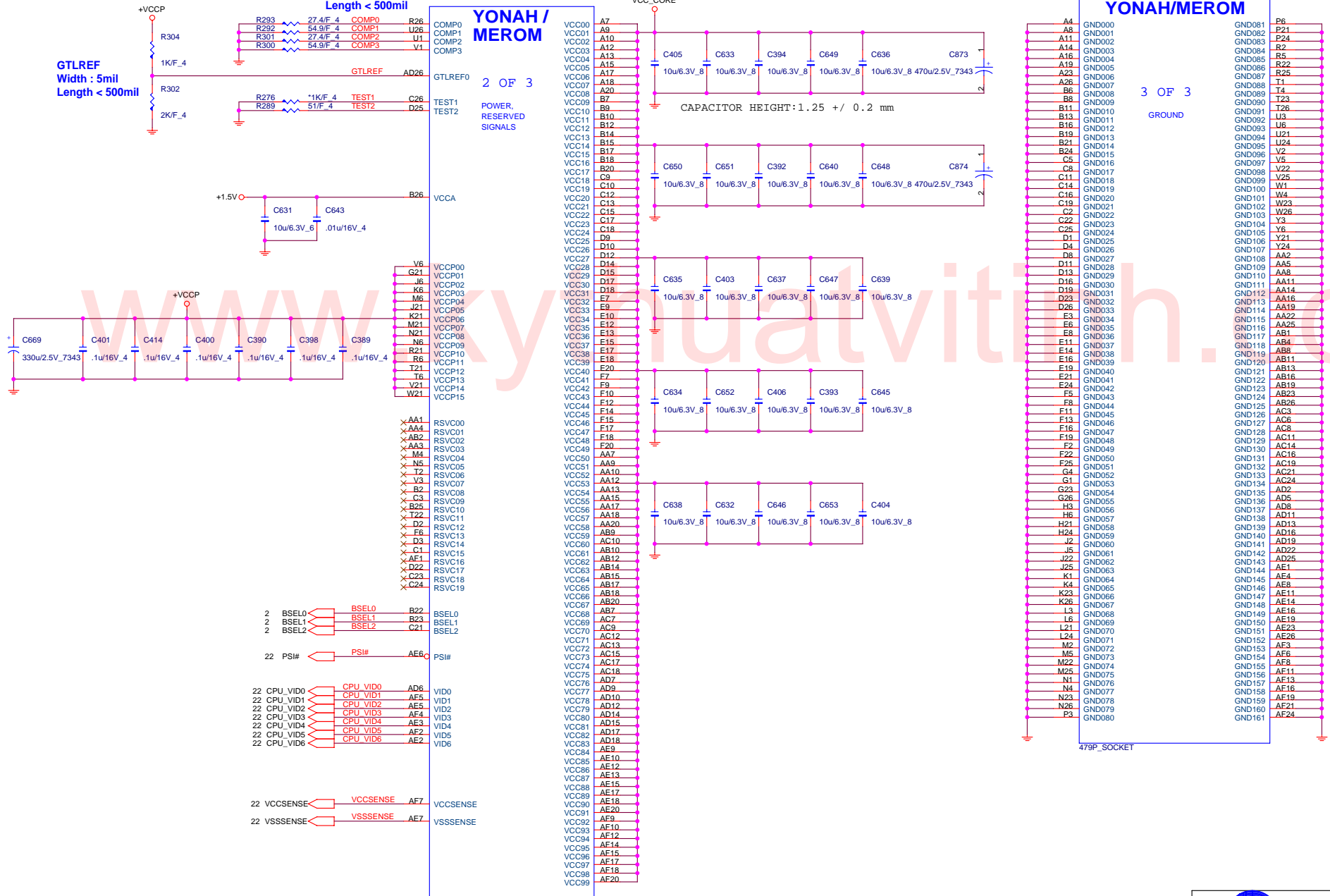
GTLREF
Width : 5mil
Length < 500mil

YONAH/
MEROM

2 OF 3
POWER,
RESERVED
SIGNALS

YONAH/MEROM

3 OF 3
GROUND

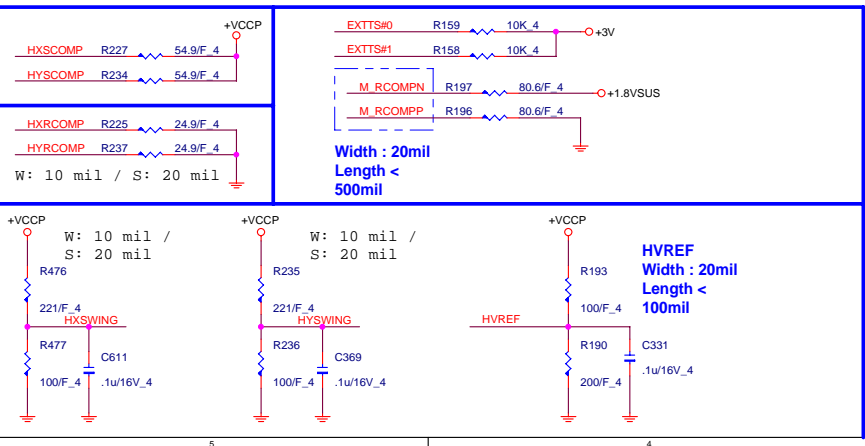
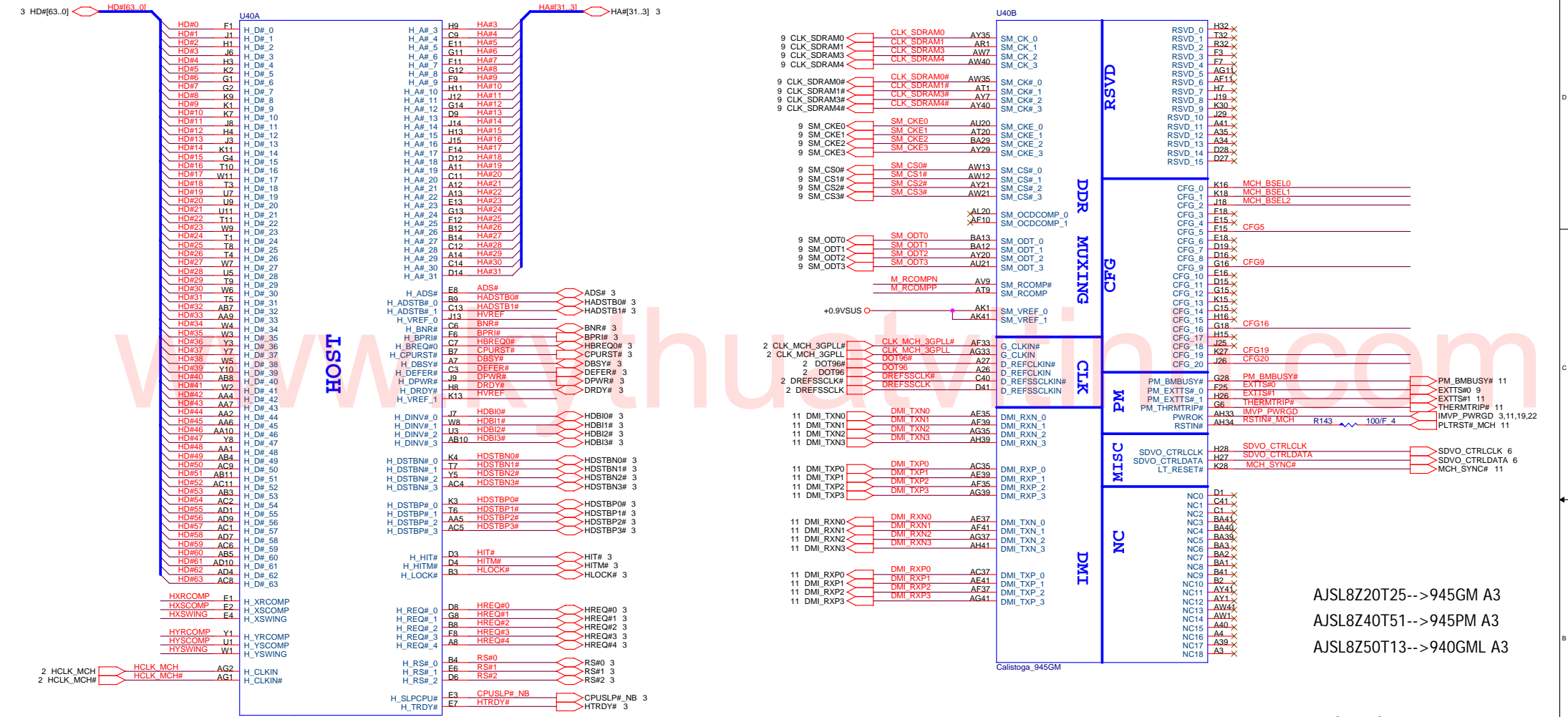


- 2 BSEL0 <- BSEL0 B22 BSEL0
- 2 BSEL1 <- BSEL1 B23 BSEL1
- 2 BSEL2 <- BSEL2 C21 BSEL2
- 22 PSi# <- PSi# AE6 PSi#
- 22 CPU_VID0 <- CPU_VID0 AD6 VID0
- 22 CPU_VID1 <- CPU_VID1 AE5 VID1
- 22 CPU_VID2 <- CPU_VID2 AD5 VID2
- 22 CPU_VID3 <- CPU_VID3 AF4 VID3
- 22 CPU_VID4 <- CPU_VID4 AE3 VID4
- 22 CPU_VID5 <- CPU_VID5 AF2 VID5
- 22 CPU_VID6 <- CPU_VID6 AE2 VID6
- 22 VCCSENSE <- VCCSENSE AF7 VCCSENSE
- 22 VSSSENSE <- VSSSENSE AE7 VSSSENSE

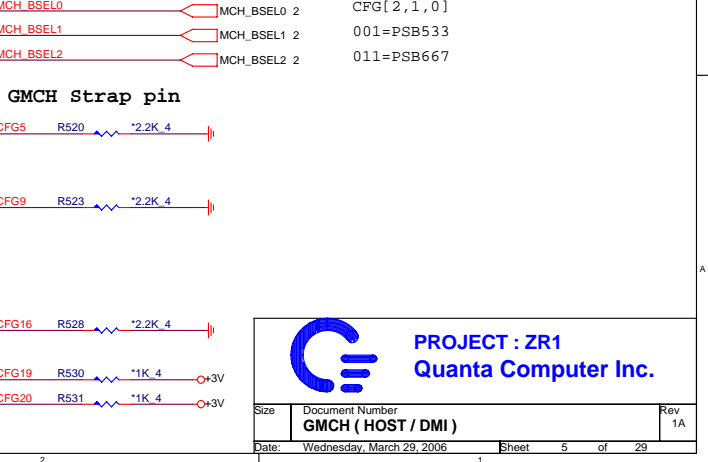
PROJECT : ZR1
Quanta Computer Inc.

Size	Document Number	Rev
	CPU (POWER)	1A
Date:	Wednesday, March 29, 2006	Sheet 4 of 29

NB_945GM/PM/940GML



- MCH_CFG_5 : Low = DMI X2, High=DMIX4
- MCH_CFG_6 : Low = Moby Dick, High = Calistoga (Default)
- MCH_CFG_7 : Low = RSVD, High = Mobile CPU
- MCH_CFG_9 PCI Exp Graphics Lane: Low =Reverse lane ,High=Normal
- MCH_CFG_10 Host PLL VCC Select: Low=Reserved, High=Mobility
- MCH_CFG_11: PSB 4x Enable : Low=Rsvd, High=Calistoga.
- MCH_CFG_16 FSB Dymnic ODT: Low = Dynamic ODT Disabled, High= Dynamic ODT Enabled.
- MCH_CFG_18 VCC Select: LOW=1.05V, High=1.5V
- MCH_CFG_19 DMI LANE Reversal:Low=Normal,High=LANES Reversed.
- MCH_CFG_20 PCIe Backward interoperability mode: Low= only SDVO or PCIe x1 is operational (defaults) , High=SDVO and PCIe x1 are operation simultaneously via the PEG port.

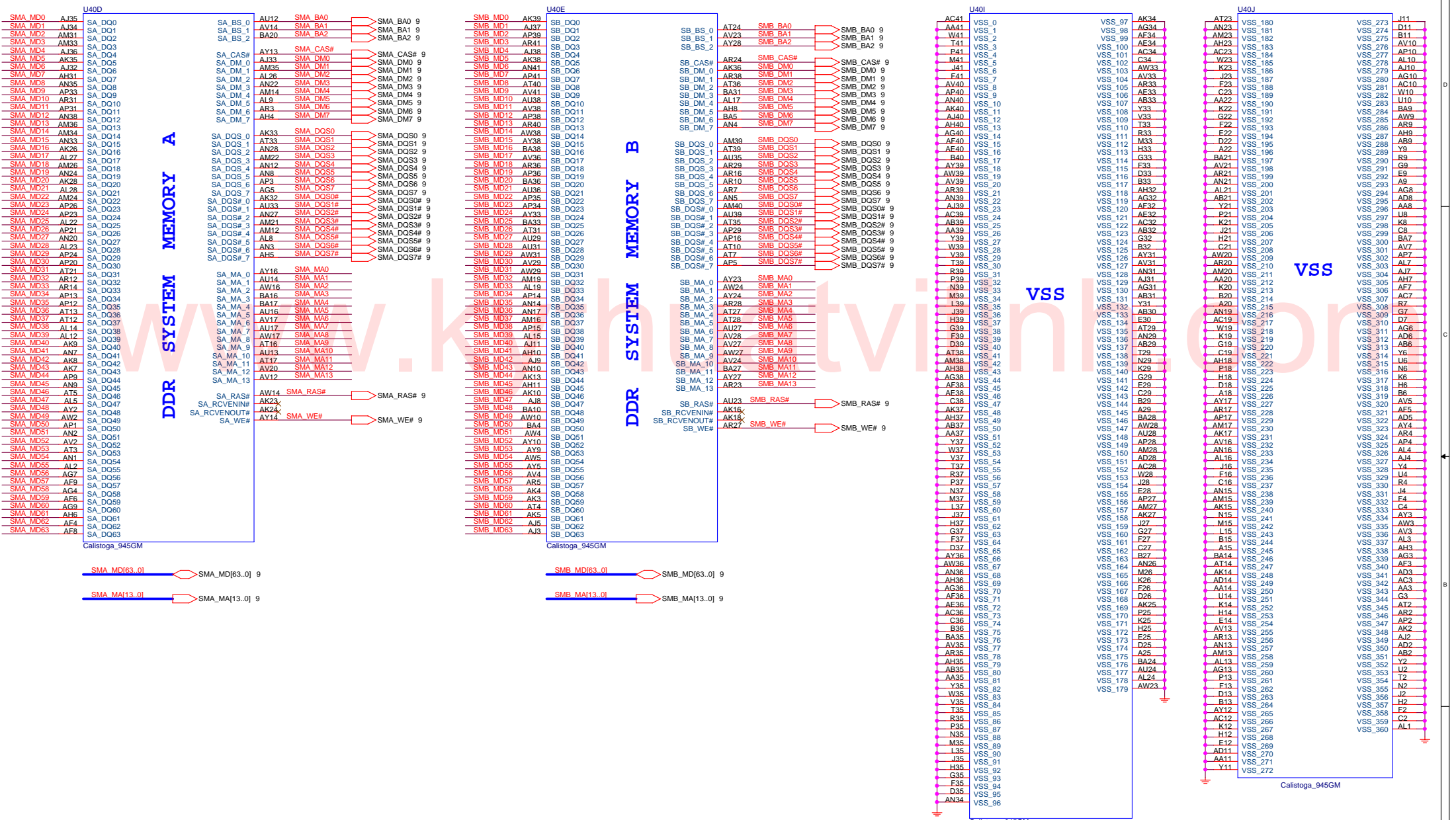


PROJECT : ZR1
Quanta Computer Inc.

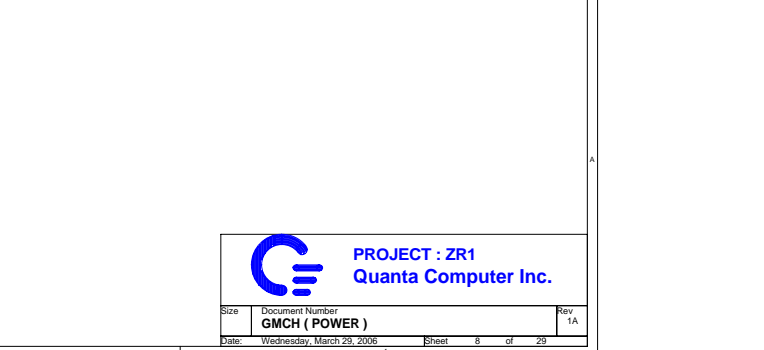
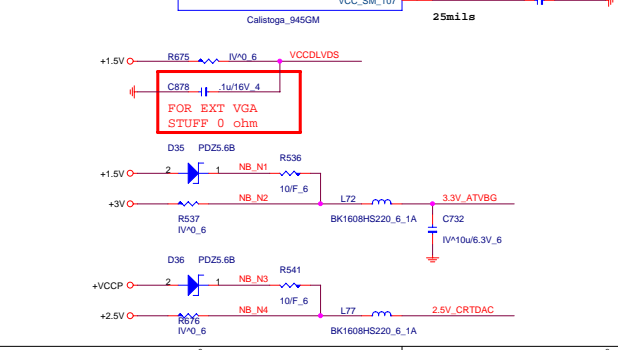
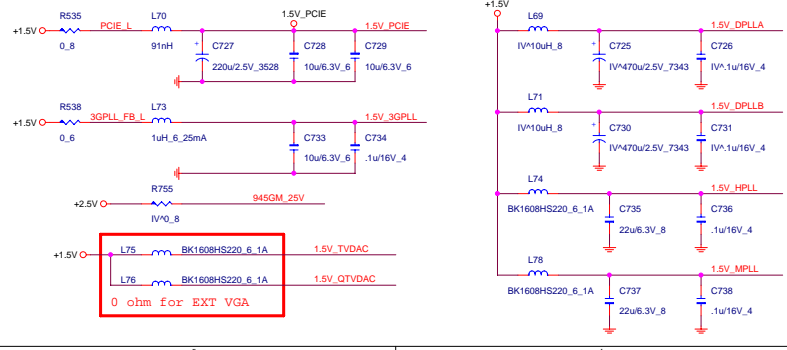
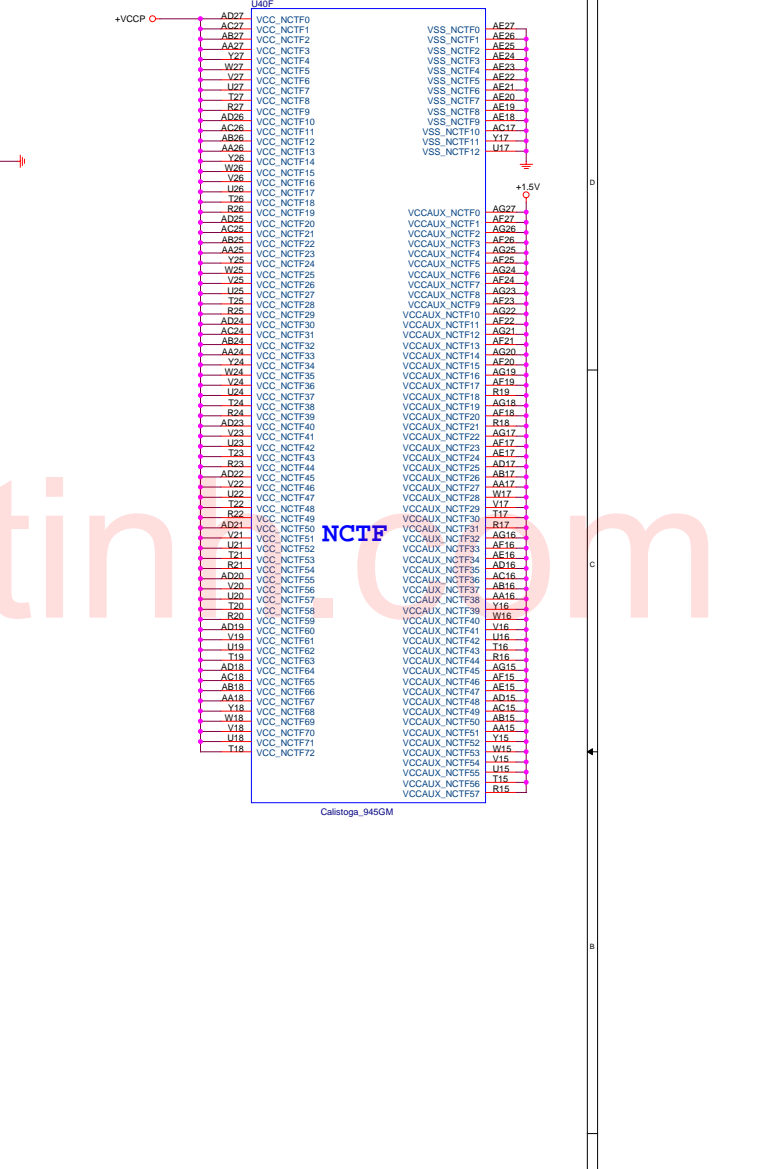
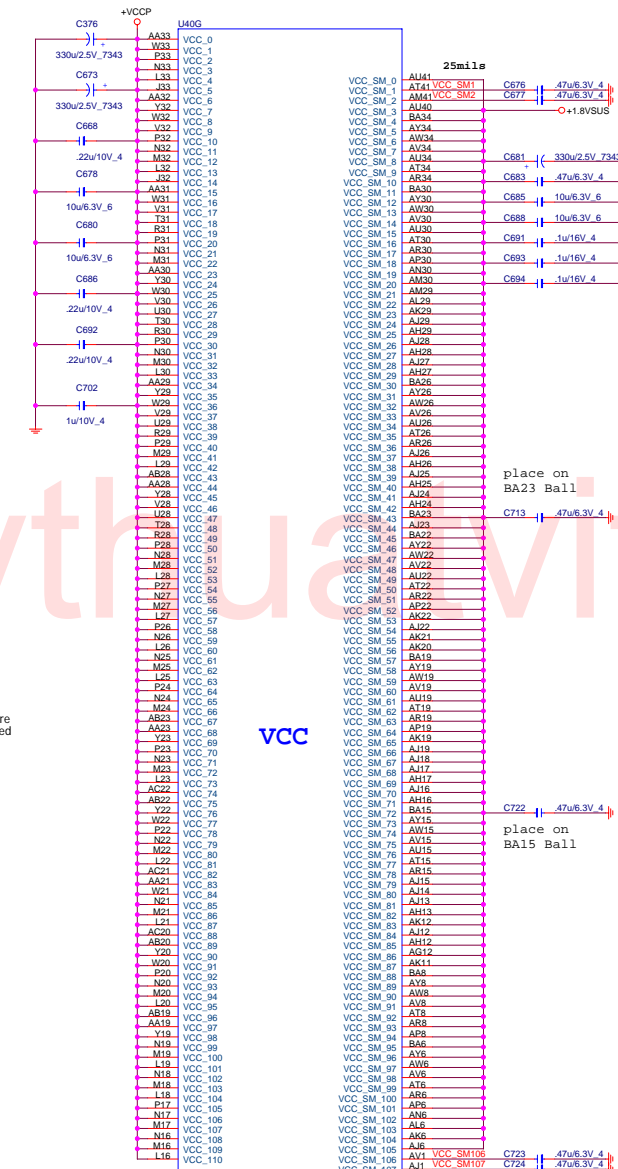
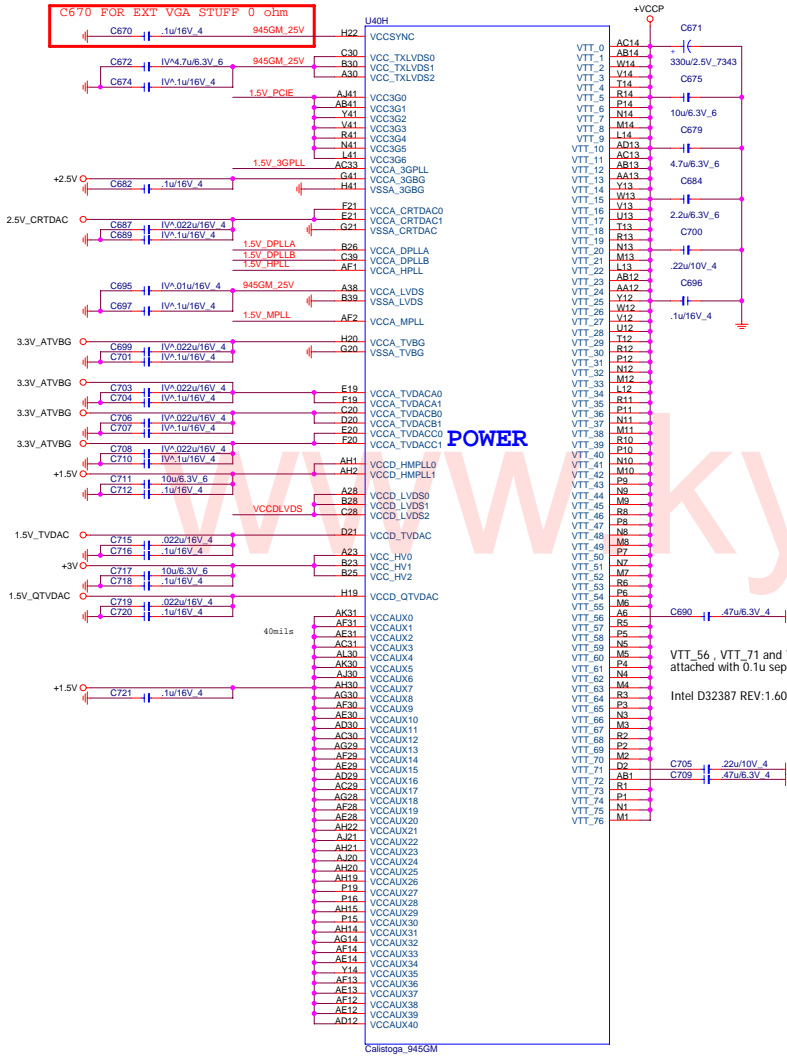
Size Document Number
GMCH (HOST / DMI) Rev 1A

Date: Wednesday, March 29, 2006 Sheet 5 of 29

NB_945GM/PM/940GML



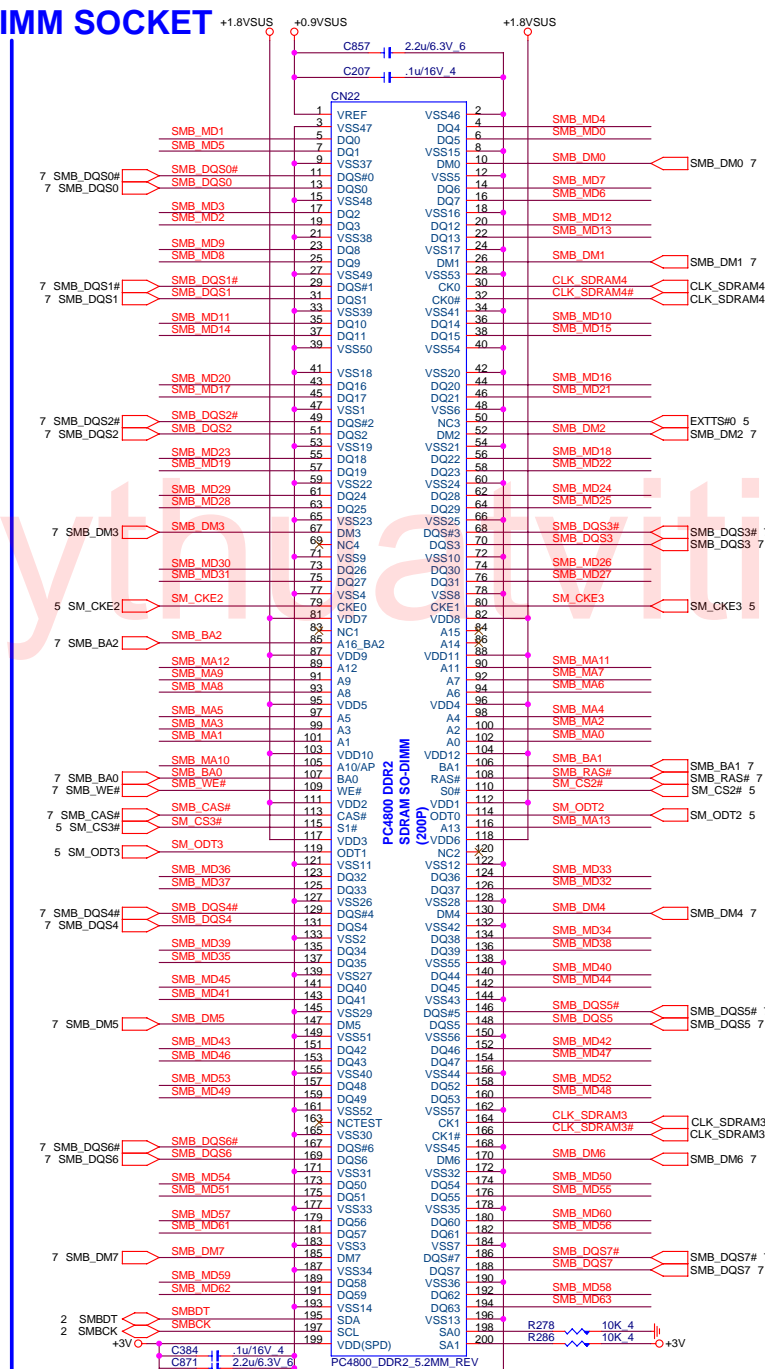
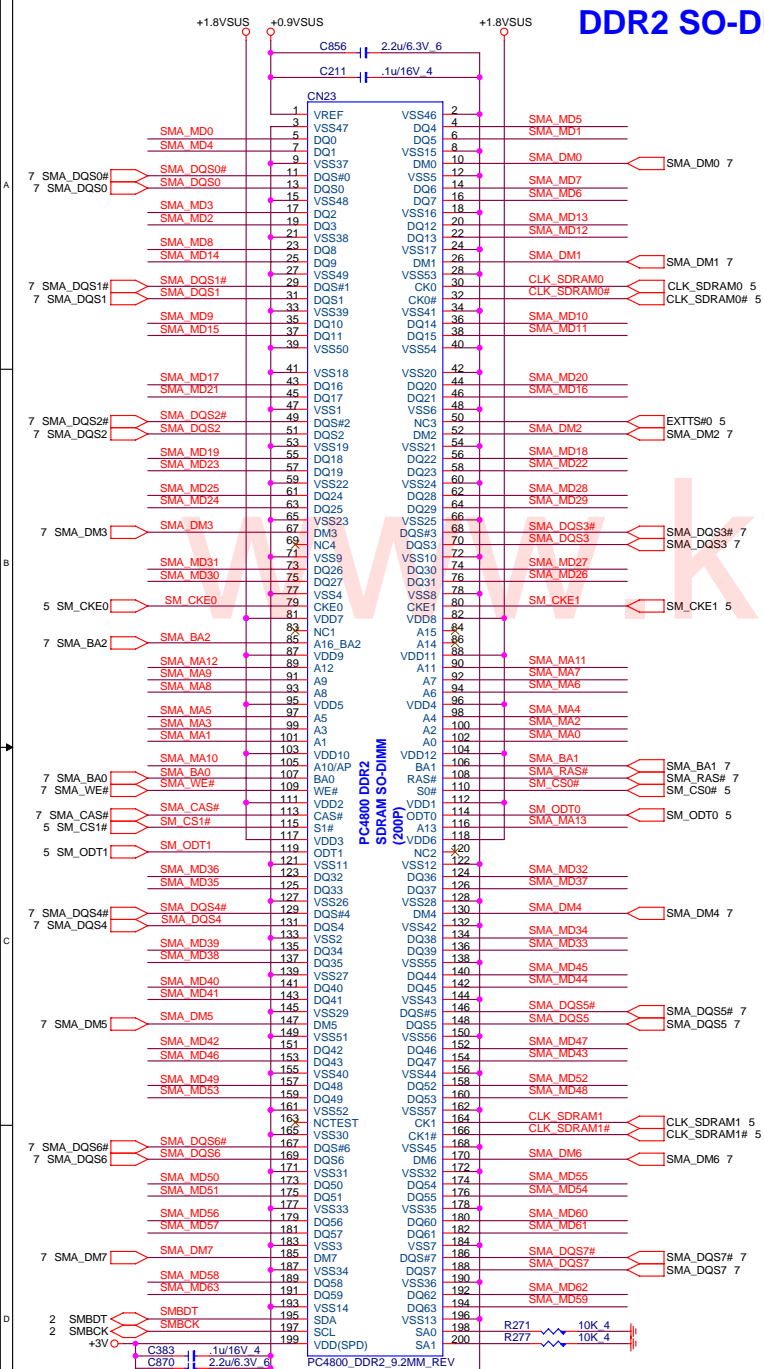
NB_945GM/PM/940GML



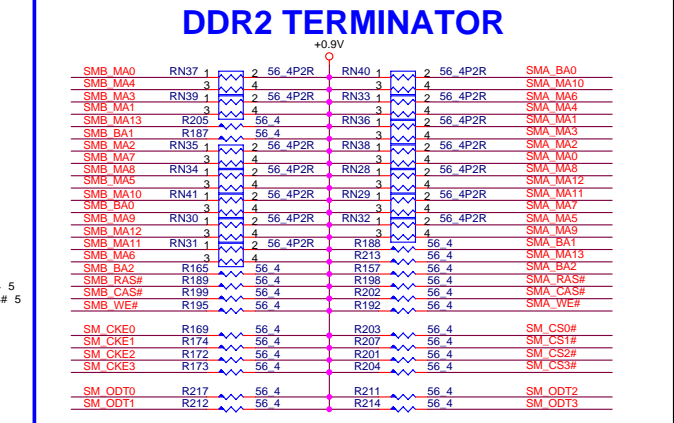
PROJECT : ZR1
Quanta Computer Inc.

Size: Document Number
GMCH (POWER)
Date: Wednesday, March 29, 2006 | Sheet: 8 of 29 | Rev: 1A

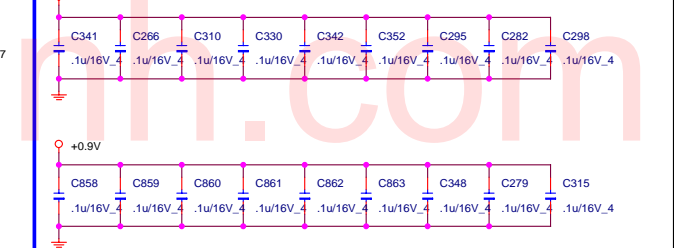
DDR4 SO-DIMM SOCKET



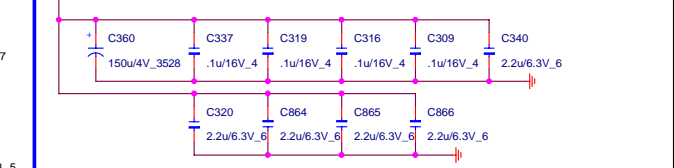
DDR2 TERMINATOR



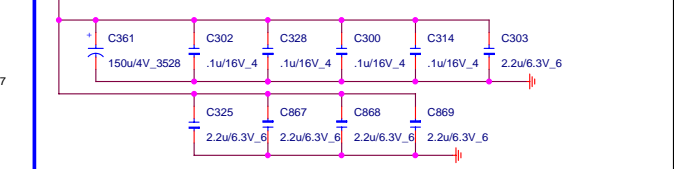
TERMINATOR DECOUPLING CAPACITOR



CLOSE SO-DIMM SOCKET CAPACITORS

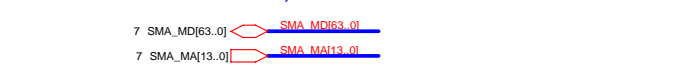


CLOSE SO-DIMM SOCKET CAPACITORS

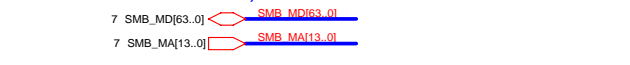


PROJECT : ZR1
Quanta Computer Inc.

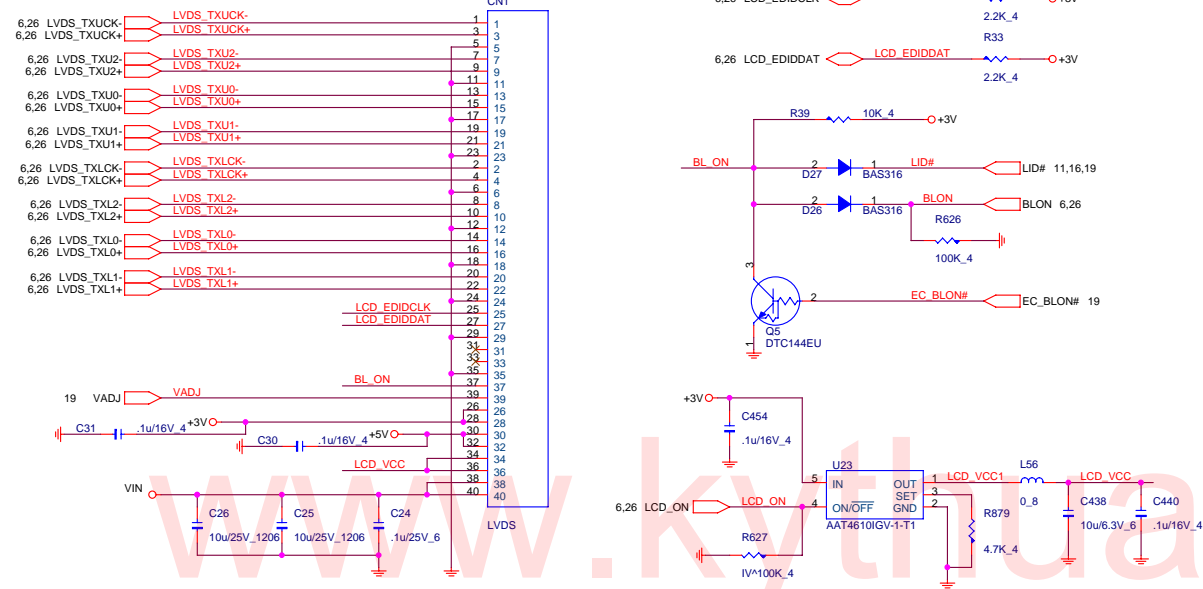
SMbus address A0
CLOCK 0,1,2
CKE 0,1



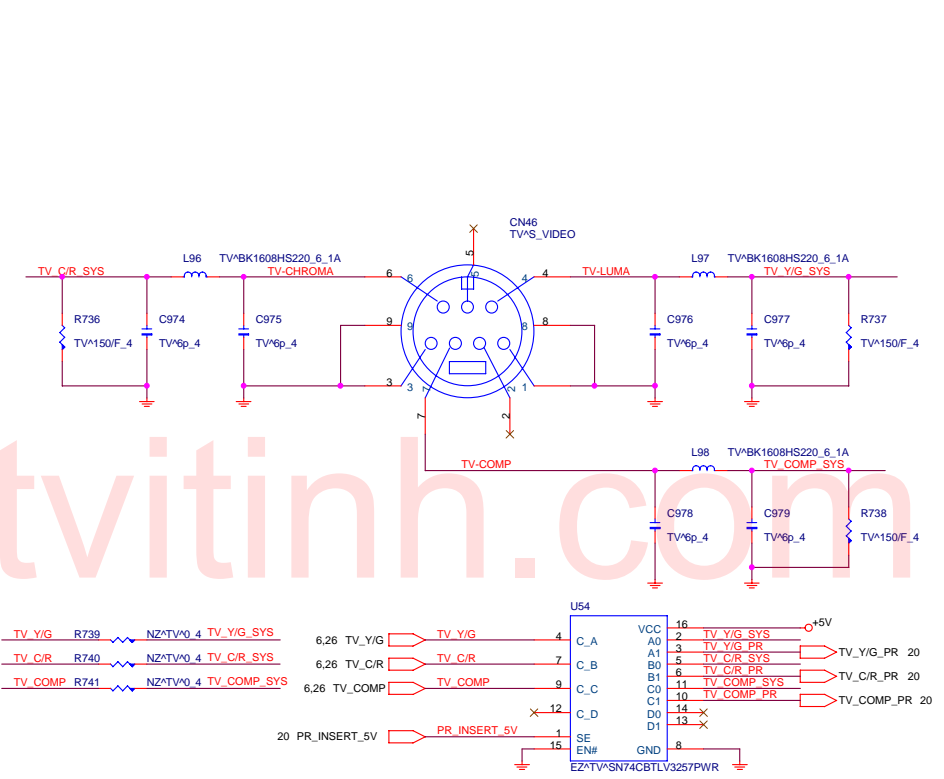
SMbus address A1
CLOCK 3,4,5
CKE 2,3



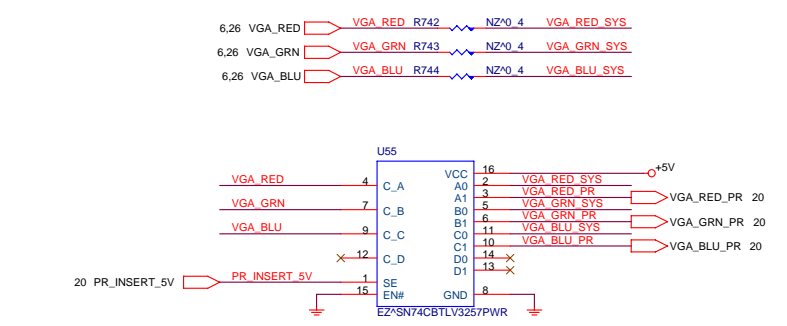
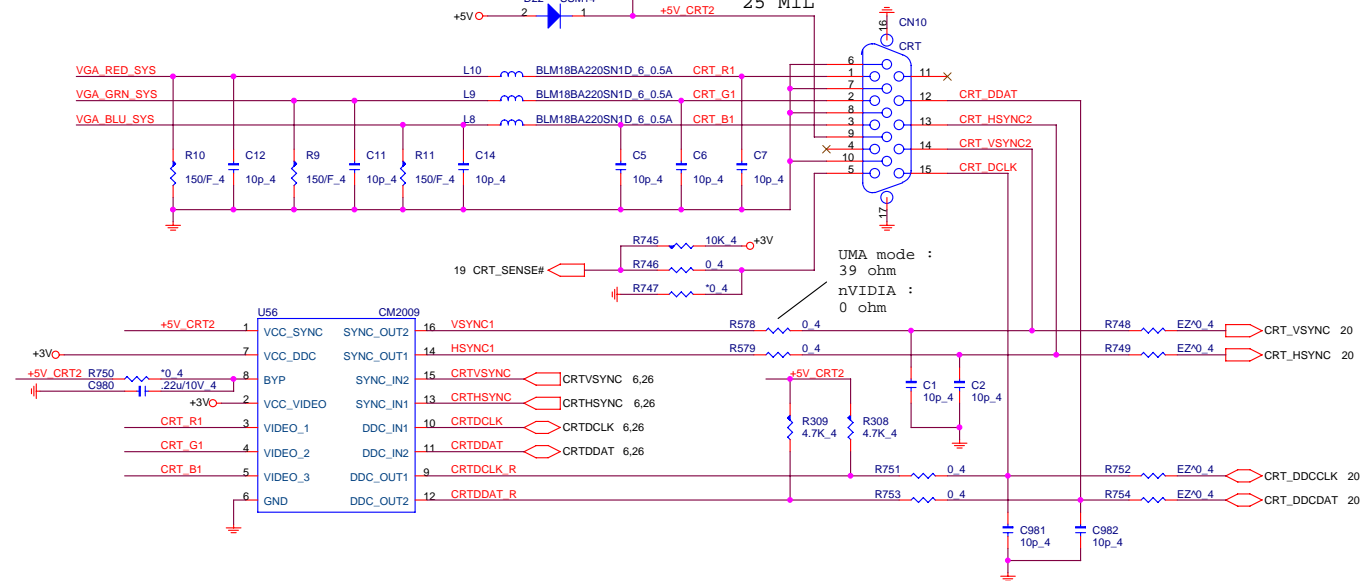
LVDS




S-VIDEO



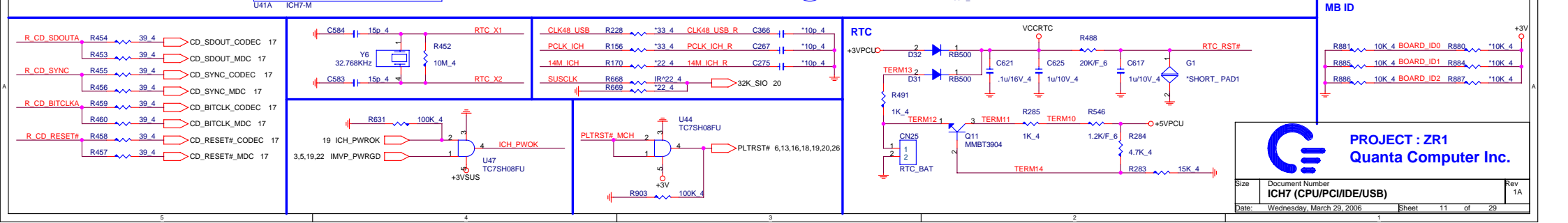
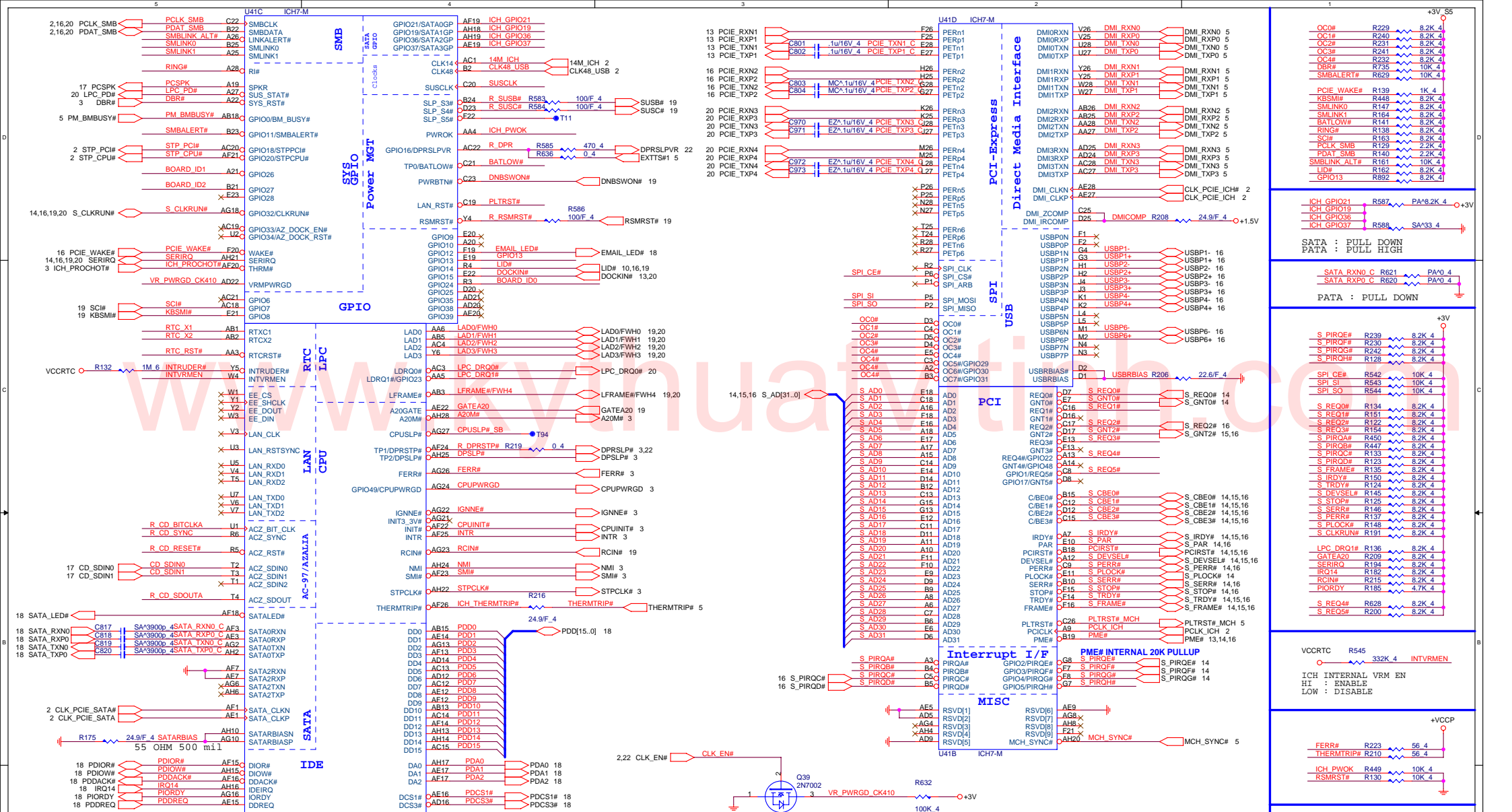
CRT





PROJECT : ZR1
Quanta Computer Inc.

Size	Document Number	Rev
	LCD / CRT / TV	1A
Date:	Wednesday, March 29, 2006	Sheet 10 of 29

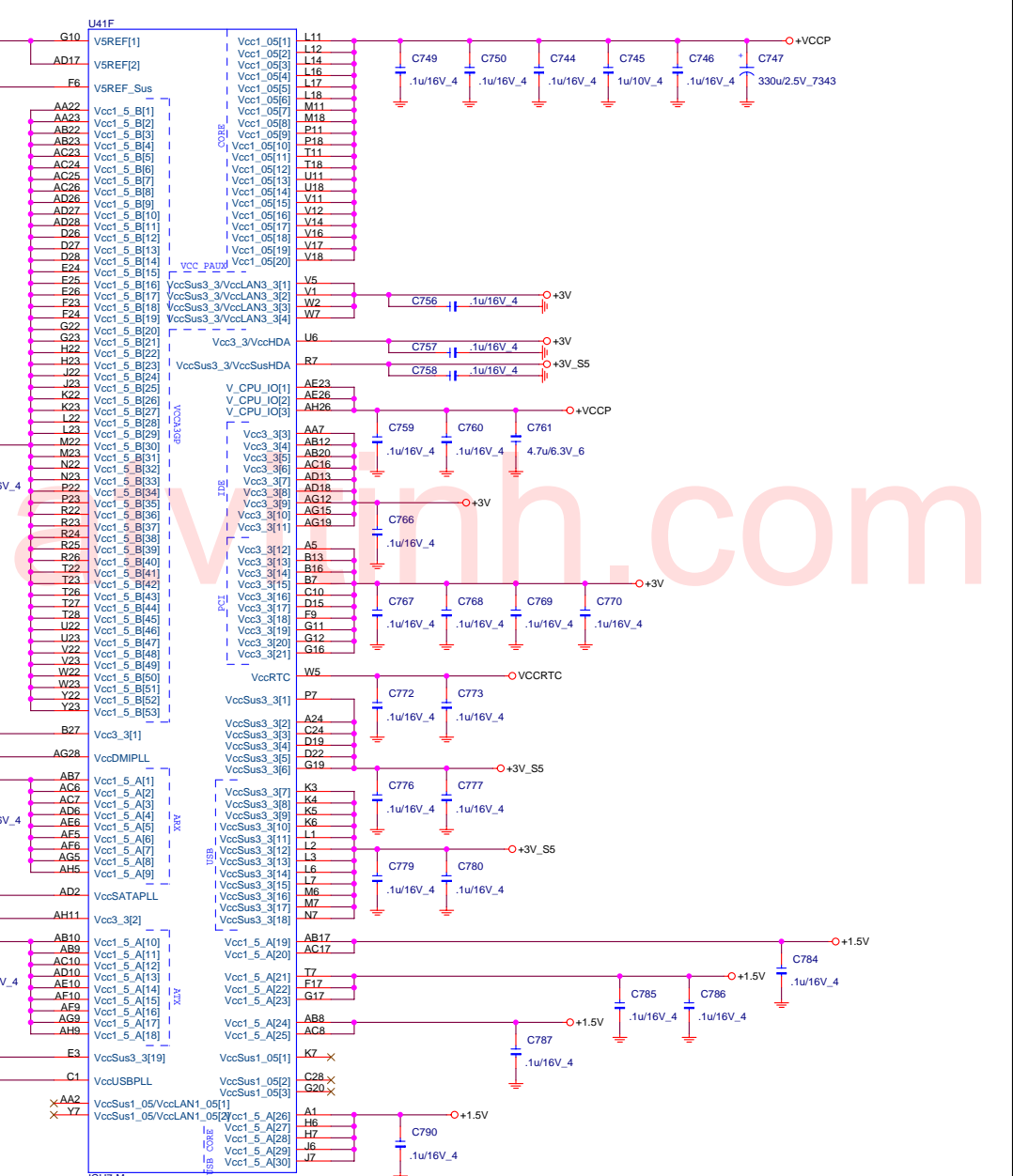
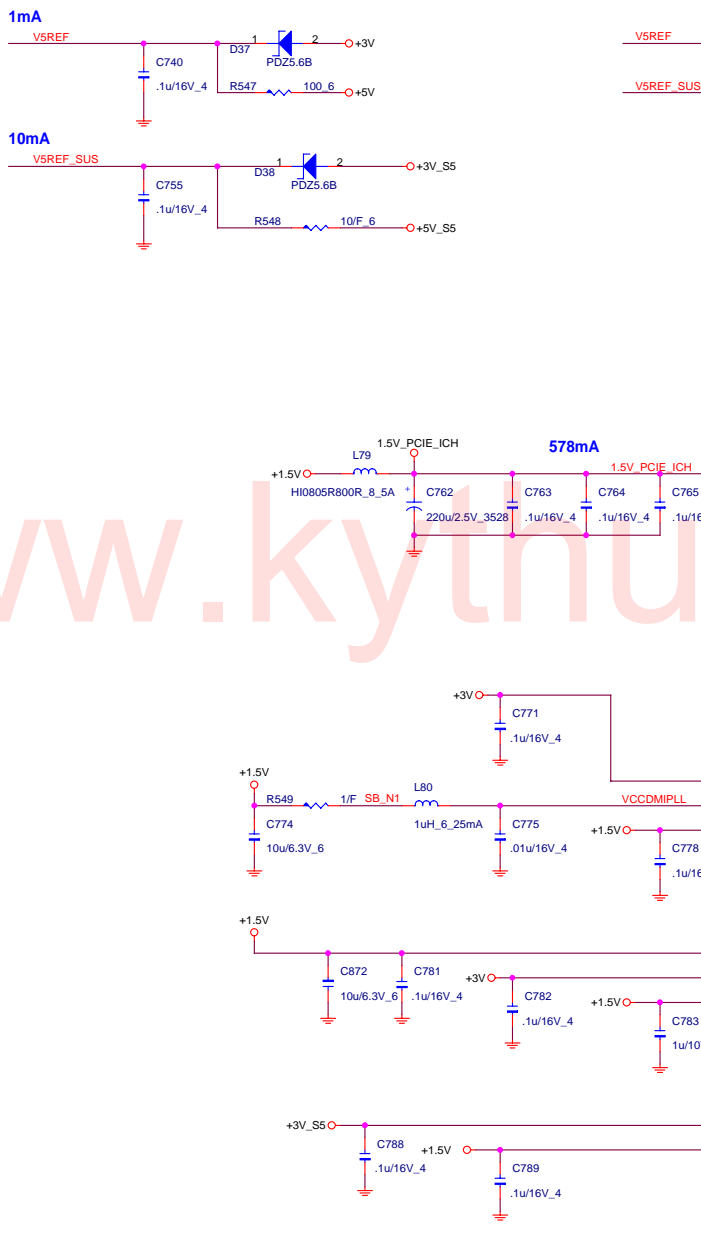


PROJECT : ZR1
Quanta Computer Inc.

Size: _____ Document Number: **ICH7 (CPU/PCI/IDE/USB)** Rev: 1A

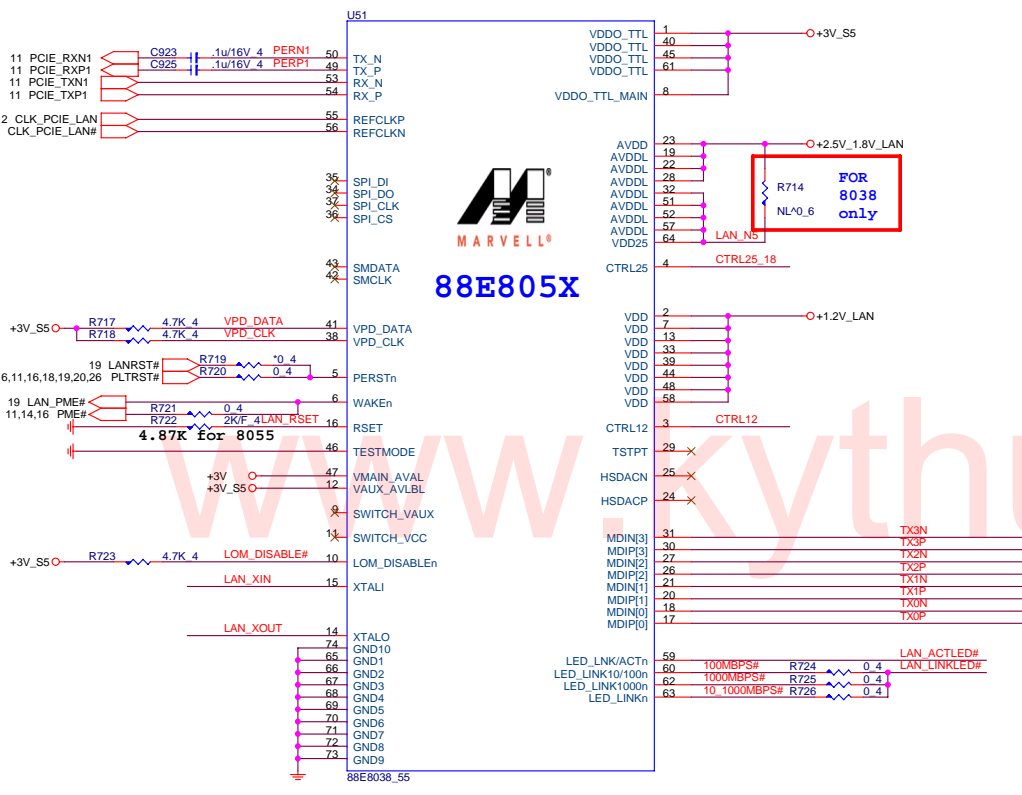
Date: Wednesday, March 29, 2006 Sheet: 11 of 29

U41E	U41E	P28
A4	VSS[1]	VSS[98]
A23	VSS[2]	VSS[99]
B1	VSS[3]	VSS[100]
B8	VSS[4]	VSS[101]
B14	VSS[5]	VSS[102]
B17	VSS[6]	VSS[103]
B20	VSS[8]	VSS[105]
B26	VSS[9]	VSS[106]
C2	VSS[10]	VSS[107]
C6	VSS[12]	VSS[109]
C27	VSS[13]	VSS[110]
D10	VSS[14]	VSS[111]
D13	VSS[15]	VSS[112]
D18	VSS[16]	VSS[113]
D24	VSS[17]	VSS[114]
E1	VSS[18]	VSS[115]
E2	VSS[19]	VSS[116]
E4	VSS[21]	VSS[118]
E8	VSS[22]	VSS[119]
E16	VSS[23]	VSS[120]
F3	VSS[24]	VSS[121]
F4	VSS[25]	VSS[122]
F8	VSS[26]	VSS[123]
F12	VSS[27]	VSS[124]
F27	VSS[28]	VSS[125]
F28	VSS[29]	VSS[126]
G1	VSS[30]	VSS[127]
G2	VSS[31]	VSS[128]
G5	VSS[32]	VSS[129]
G6	VSS[33]	VSS[130]
G9	VSS[34]	VSS[131]
G14	VSS[35]	VSS[132]
G18	VSS[36]	VSS[133]
G21	VSS[37]	VSS[134]
G24	VSS[38]	VSS[135]
G28	VSS[39]	VSS[136]
G28	VSS[40]	VSS[137]
H4	VSS[41]	VSS[138]
H4	VSS[42]	VSS[139]
H5	VSS[43]	VSS[140]
H24	VSS[44]	VSS[141]
H28	VSS[45]	VSS[142]
H27	VSS[46]	VSS[143]
J1	VSS[47]	VSS[144]
J2	VSS[48]	VSS[145]
J4	VSS[49]	VSS[146]
J25	VSS[50]	VSS[147]
J26	VSS[51]	VSS[148]
K24	VSS[52]	VSS[149]
K27	VSS[53]	VSS[150]
K28	VSS[54]	VSS[151]
L13	VSS[55]	VSS[152]
L18	VSS[57]	VSS[154]
L24	VSS[58]	VSS[155]
L25	VSS[59]	VSS[156]
L26	VSS[60]	VSS[157]
M3	VSS[61]	VSS[158]
M4	VSS[62]	VSS[159]
M5	VSS[63]	VSS[160]
M12	VSS[64]	VSS[161]
M13	VSS[65]	VSS[162]
M14	VSS[66]	VSS[163]
M15	VSS[67]	VSS[164]
M16	VSS[68]	VSS[165]
M17	VSS[69]	VSS[166]
M24	VSS[70]	VSS[167]
M27	VSS[71]	VSS[168]
N1	VSS[72]	VSS[169]
N2	VSS[73]	VSS[170]
N6	VSS[74]	VSS[171]
N6	VSS[75]	VSS[172]
N11	VSS[76]	VSS[173]
N11	VSS[77]	VSS[174]
N12	VSS[78]	VSS[175]
N13	VSS[79]	VSS[176]
N14	VSS[80]	VSS[177]
N15	VSS[81]	VSS[178]
N16	VSS[82]	VSS[179]
N17	VSS[83]	VSS[180]
N18	VSS[84]	VSS[181]
N24	VSS[85]	VSS[182]
N25	VSS[86]	VSS[183]
N26	VSS[87]	VSS[184]
P3	VSS[88]	VSS[185]
P4	VSS[89]	VSS[186]
P12	VSS[90]	VSS[187]
P13	VSS[91]	VSS[188]
P14	VSS[92]	VSS[189]
P15	VSS[93]	VSS[190]
P16	VSS[94]	VSS[191]
P17	VSS[95]	VSS[192]
P24	VSS[96]	VSS[193]
P27	VSS[97]	VSS[194]

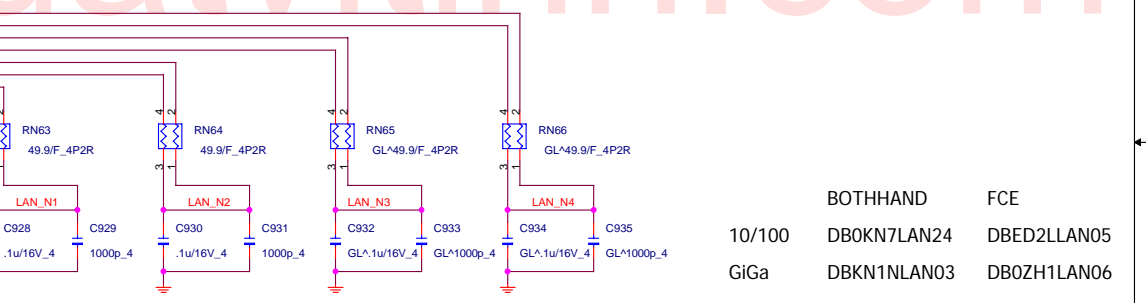
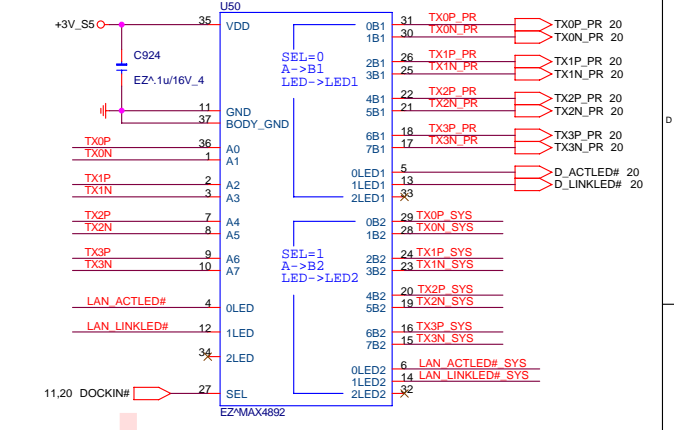
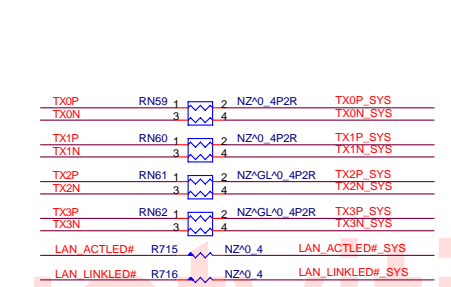
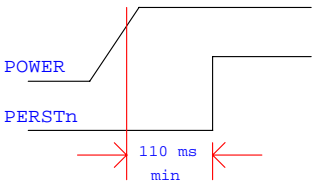


LAN_88E8038/88E8055

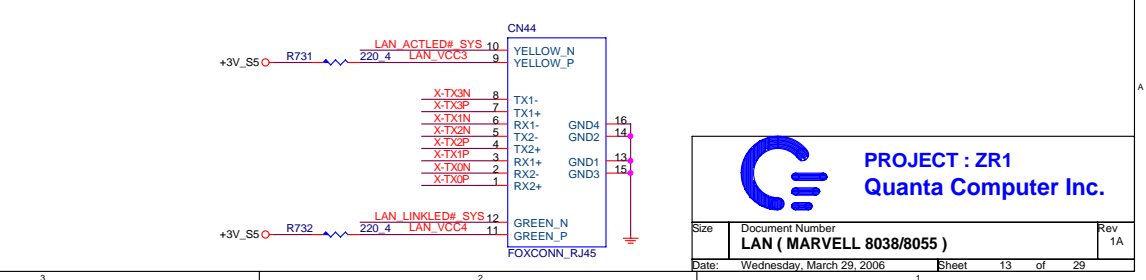
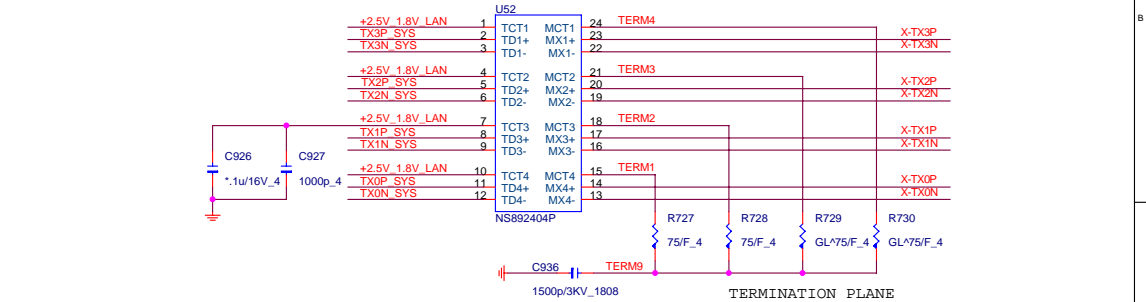
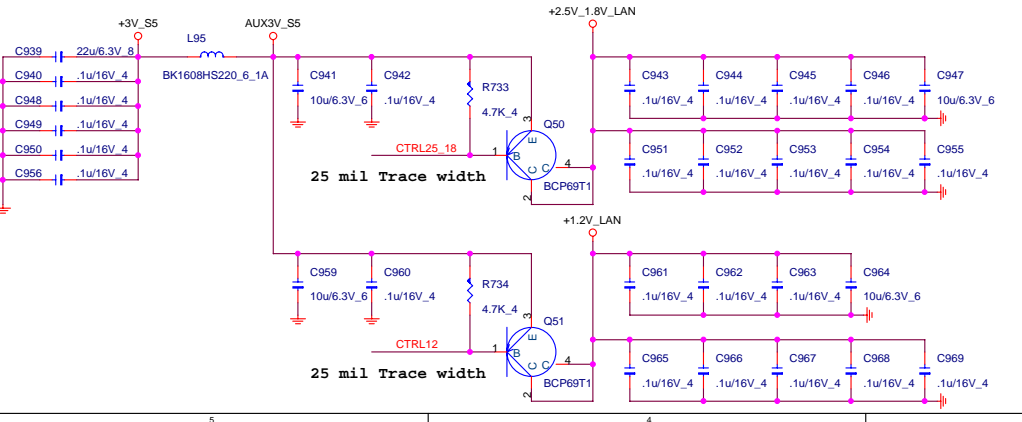
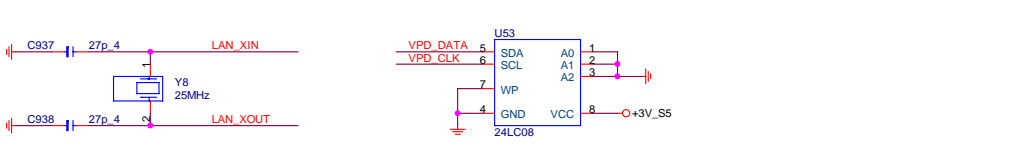
10/100 : 88E8038
 GIGA : 88E8055
 AJ080380000
 AJ080550011 A2



RESET TIMING



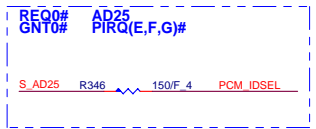
BOTHAND FCE
 10/100 DB0KN7LAN24 DBED2LLAN05
 GiGa DBKN1NLAN03 DBOZH1LAN06



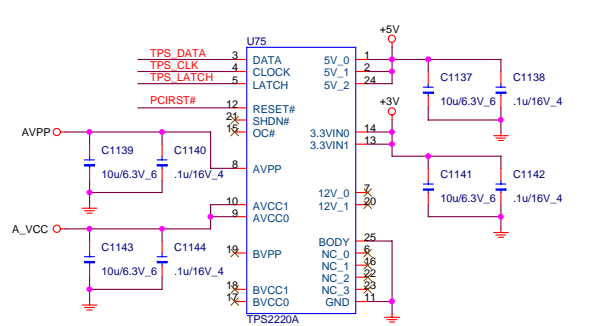
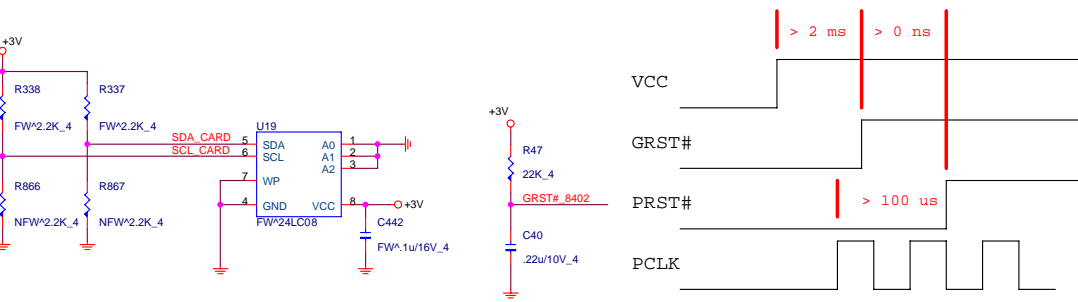
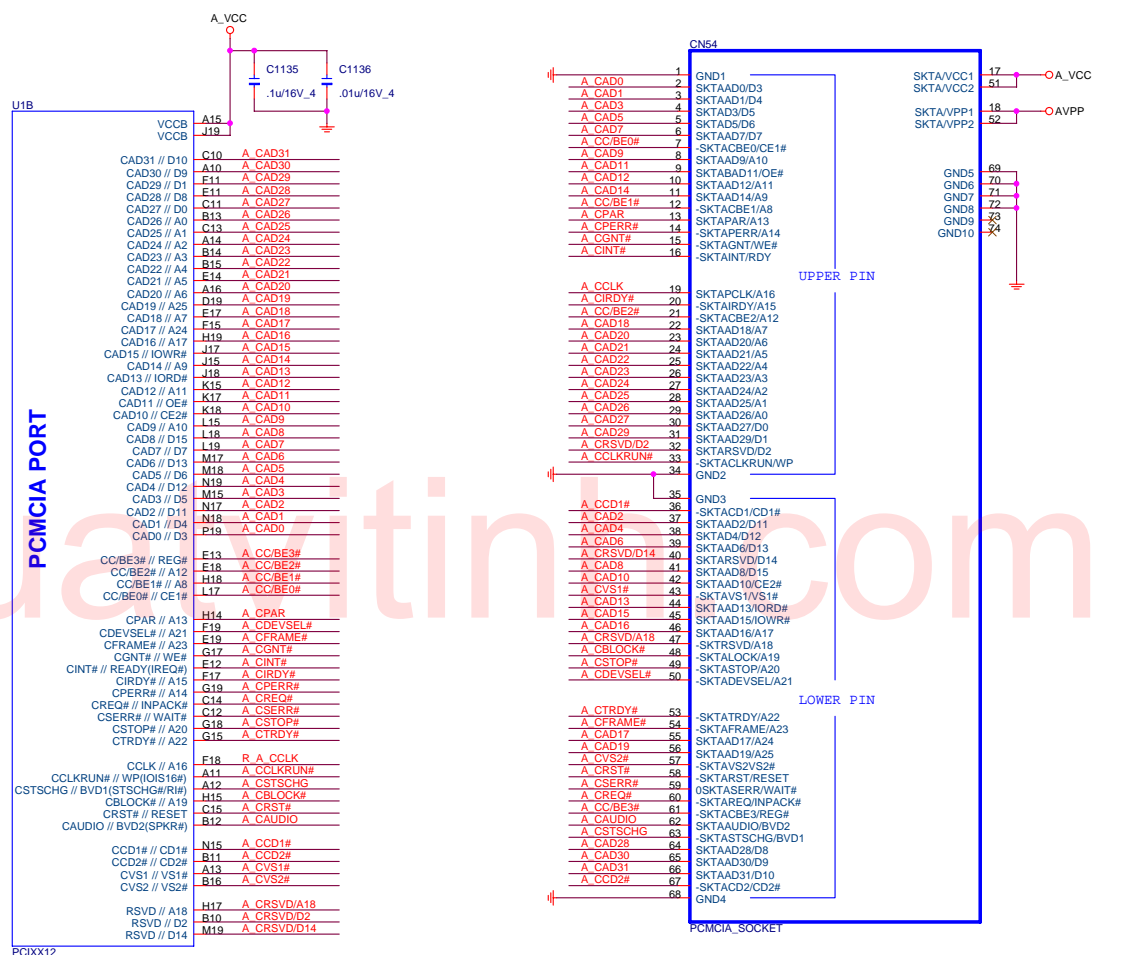
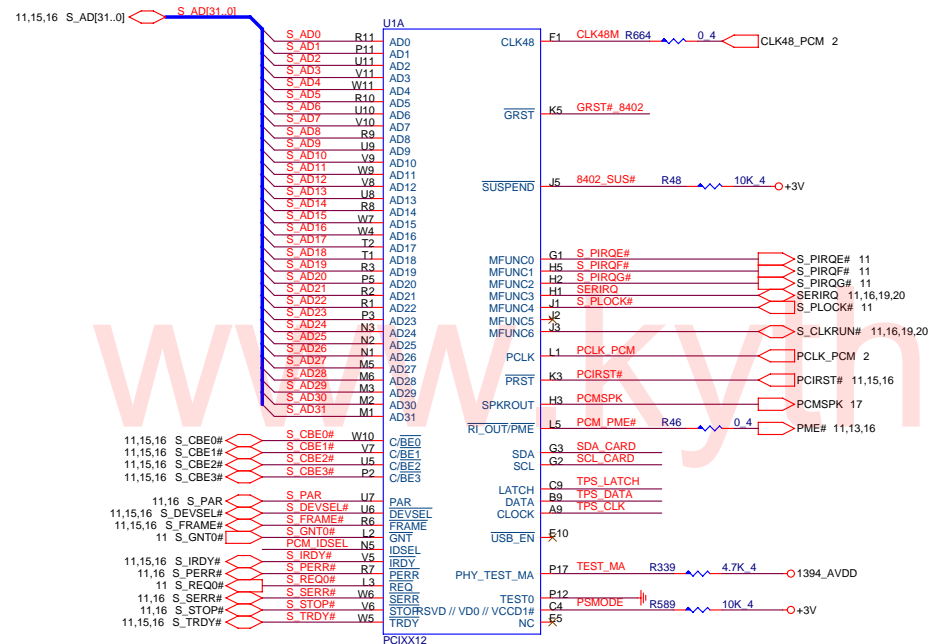
PROJECT : ZR1
Quanta Computer Inc.

Size: Document Number
LAN (MARVELL 8038/8055)
 Date: Wednesday, March 29, 2006 Sheet 13 of 29 Rev 1A

PCIXX12_PCMCIA



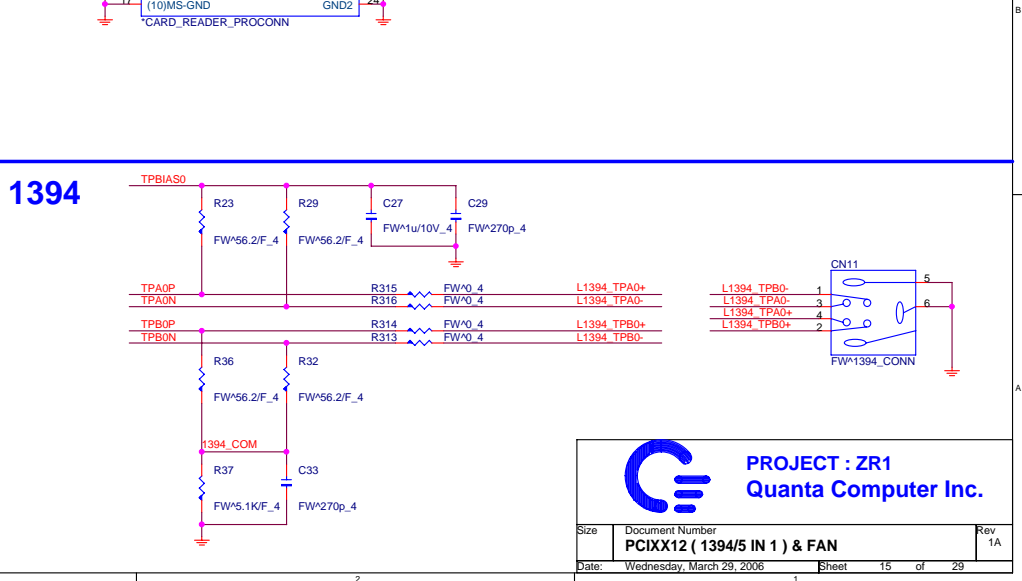
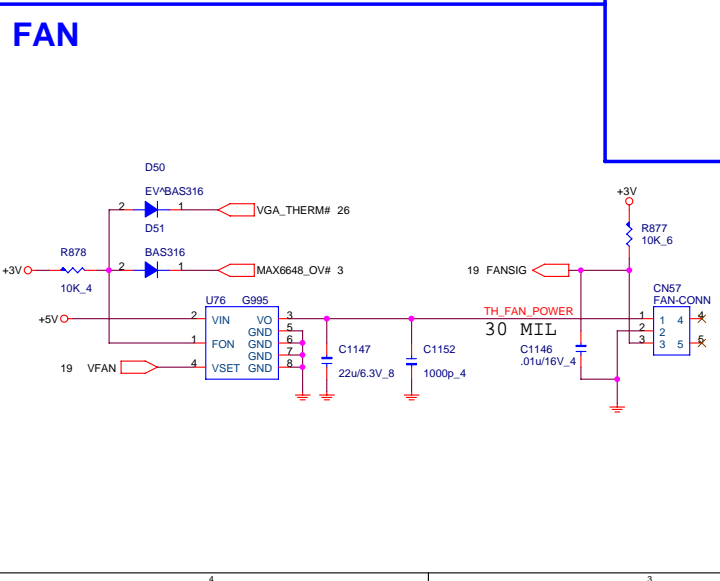
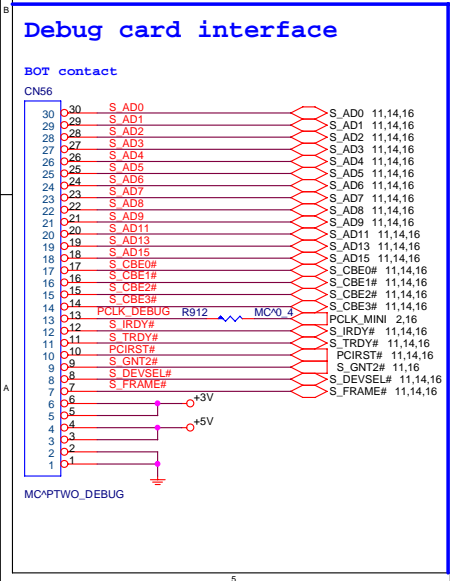
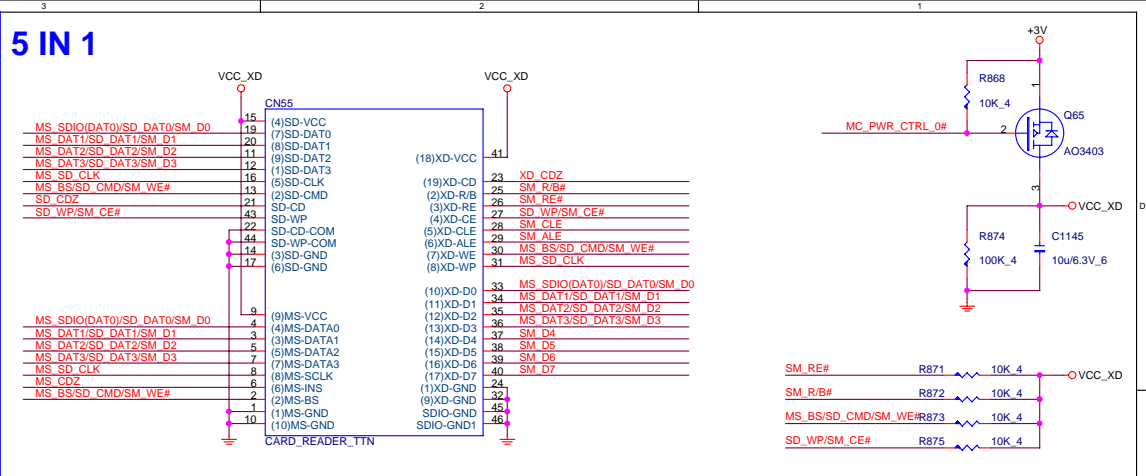
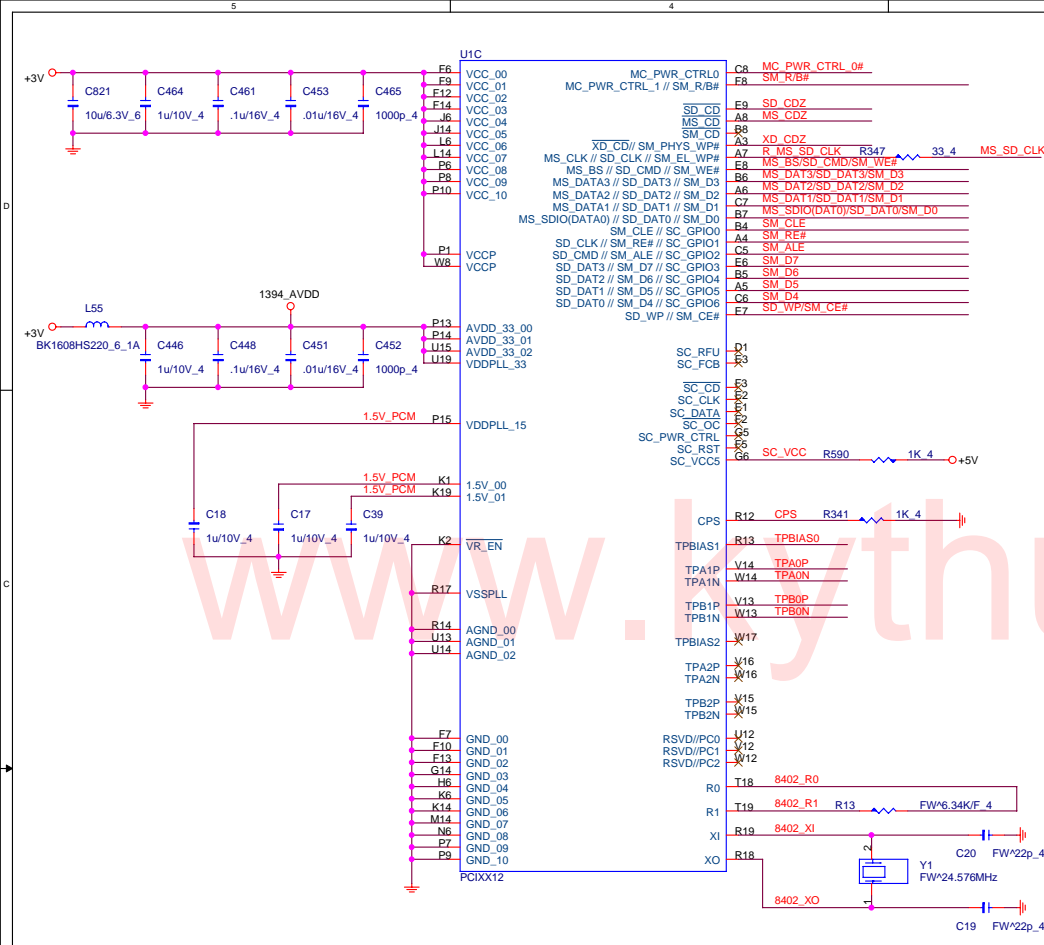
PCI8412 : AJ084120T08 PCMCIA / 1394 / 5 IN 1
 PCI6412 : AL064120T04 PCMCIA / 5 IN 1
 PCI1512 : AJ015120T02 PCMCIA



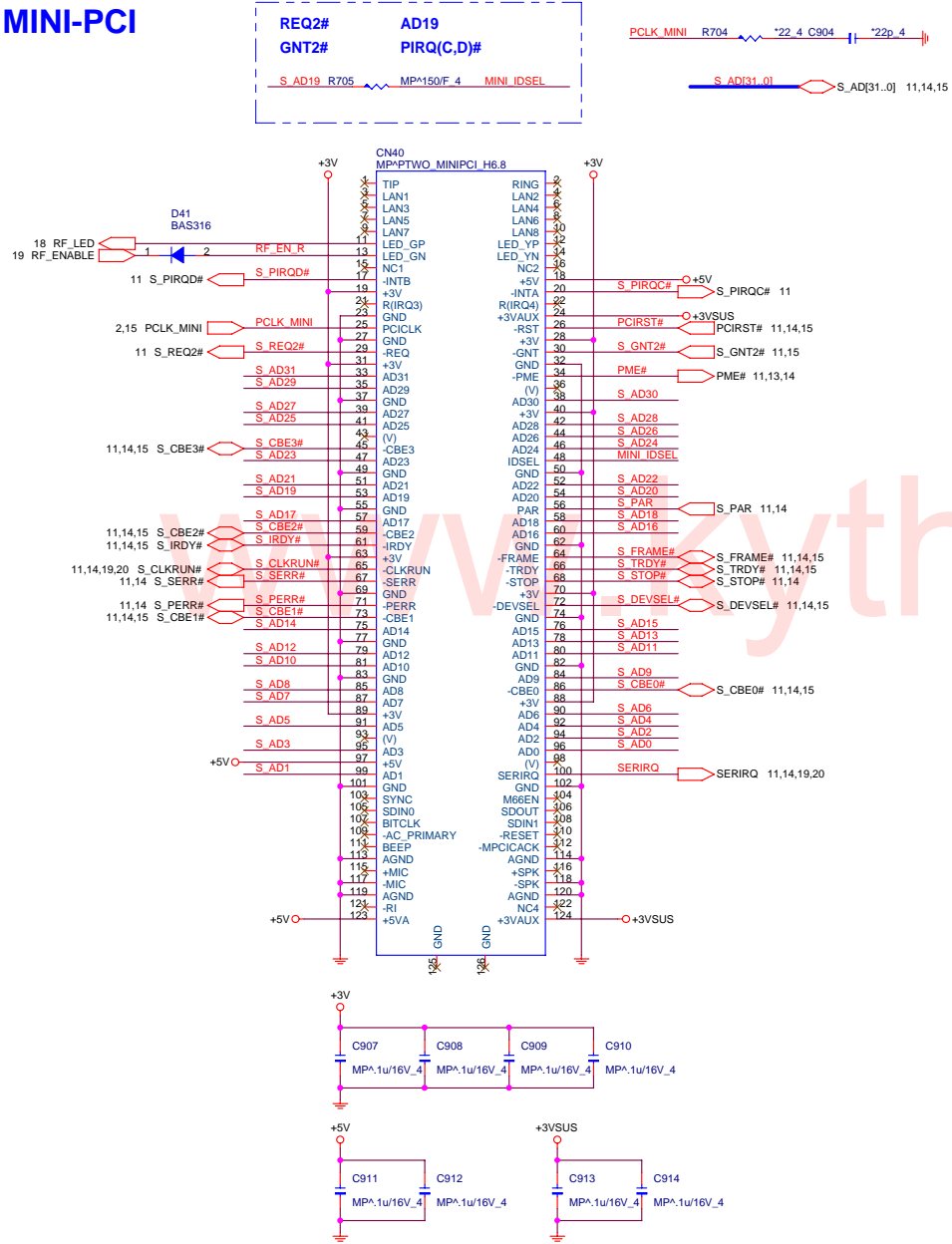
PROJECT : ZR1
Quanta Computer Inc.

Size Document Number
PCIXX12 (PCMCIA)

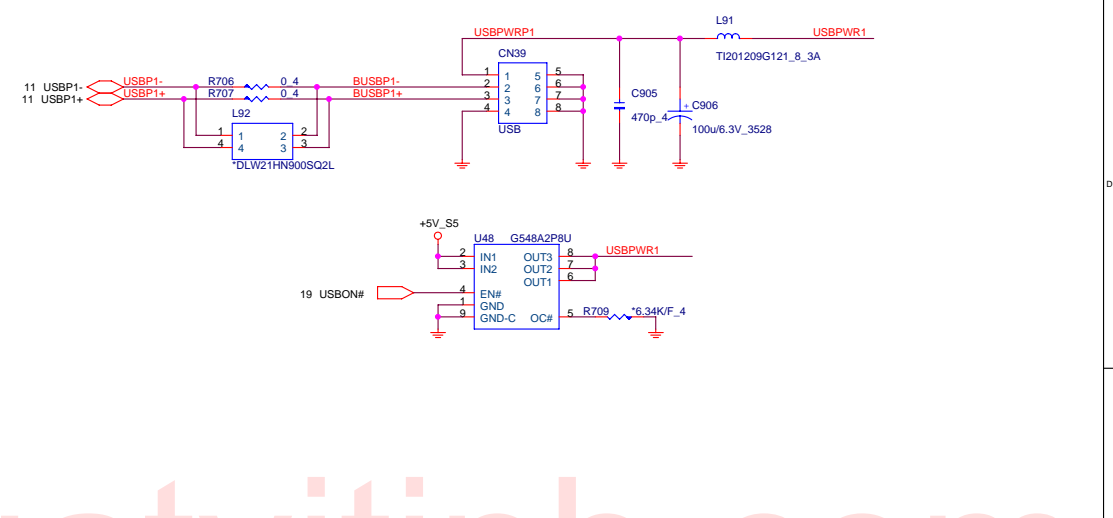
Date: Wednesday, March 29, 2006 Sheet 14 of 29 Rev 1A



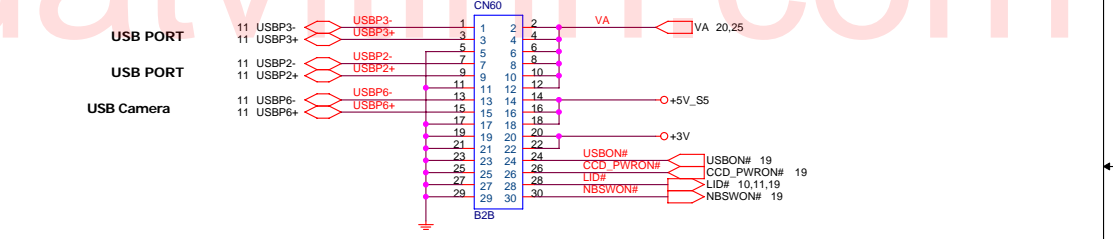
MINI-PCI



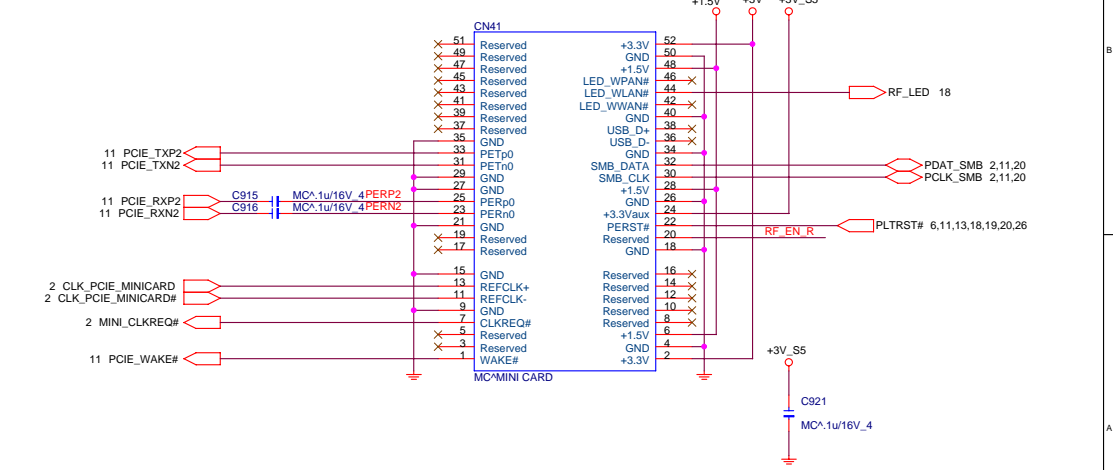
USB



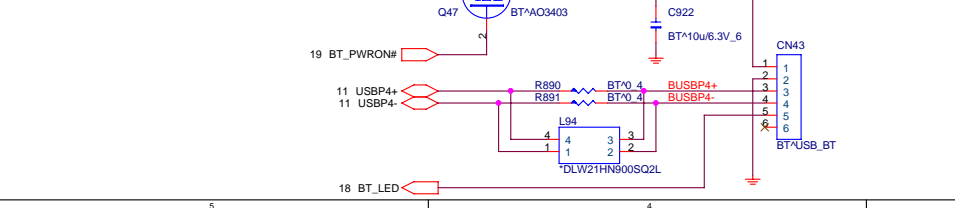
DC/B CONNECTOR



MINI-CARD



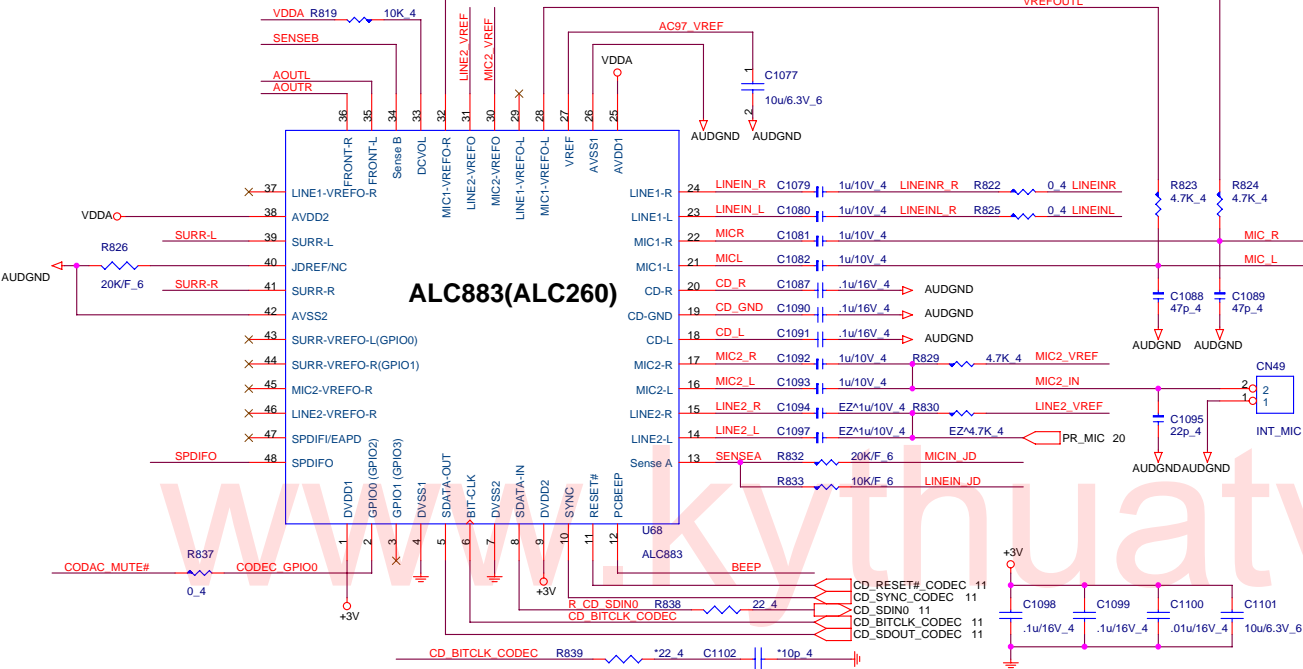
BLUETOOTH



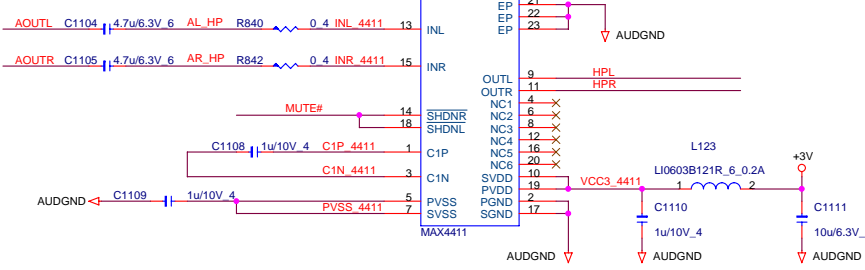
PROJECT : ZR1
Quanta Computer Inc.

Size	Document Number	Rev
	MINI_CARDPC/USB/BT/DC	1A
Date:	Wednesday, March 29, 2006	Sheet 16 of 29

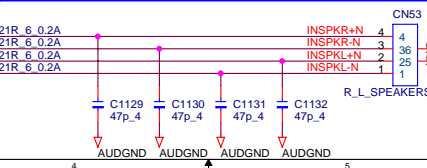
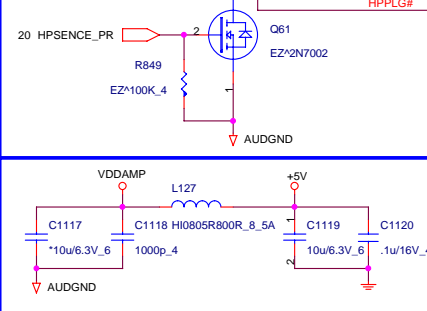
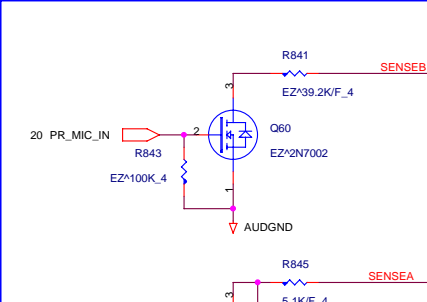
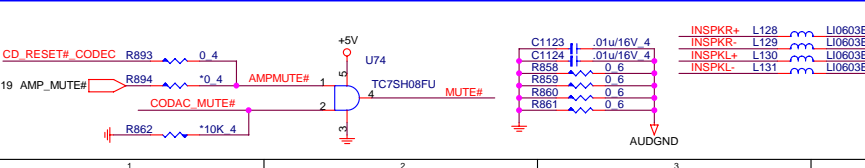
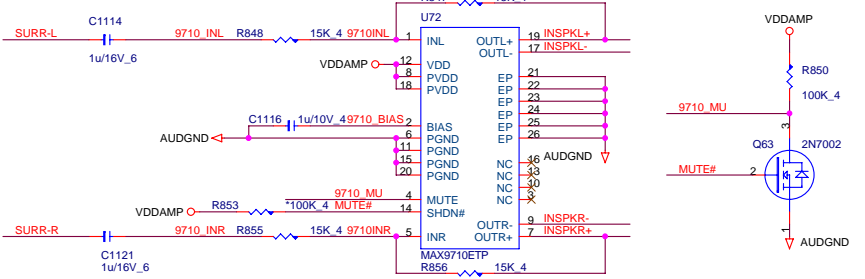
Audio Codec_ALC883



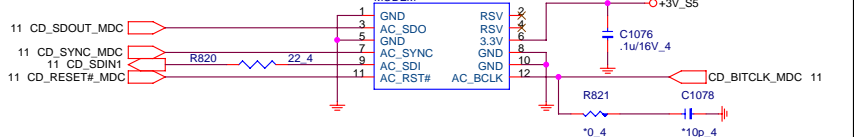
LINE OUT Amplifier



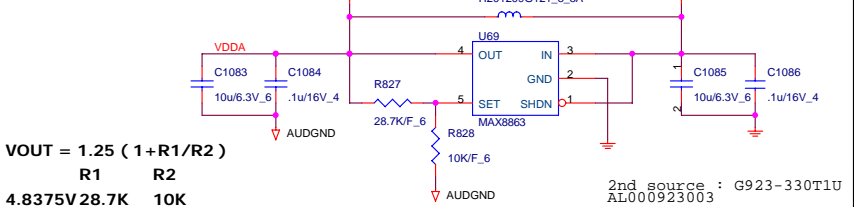
SPEAKER Amplifier



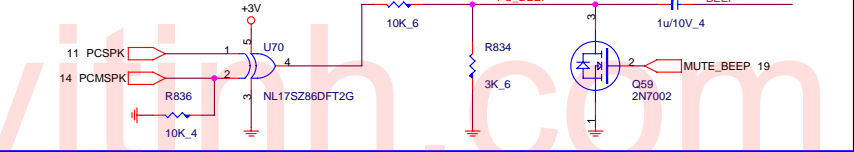
MDC



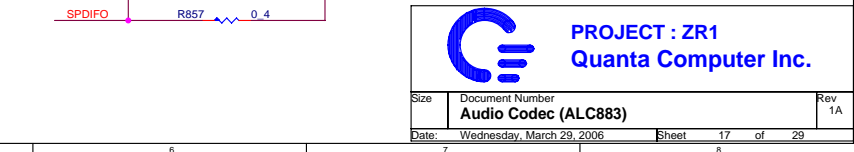
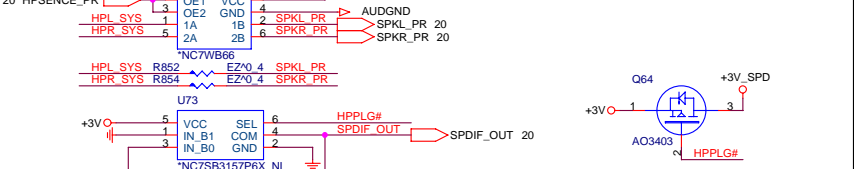
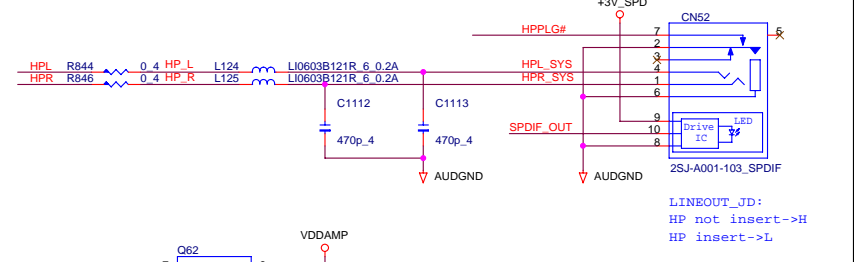
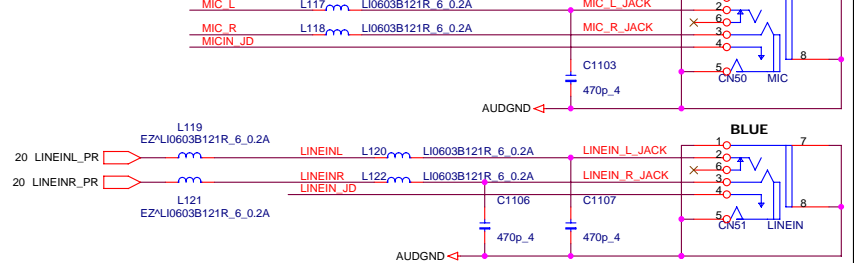
Audio Codec Power



BEEP



Audio Jack

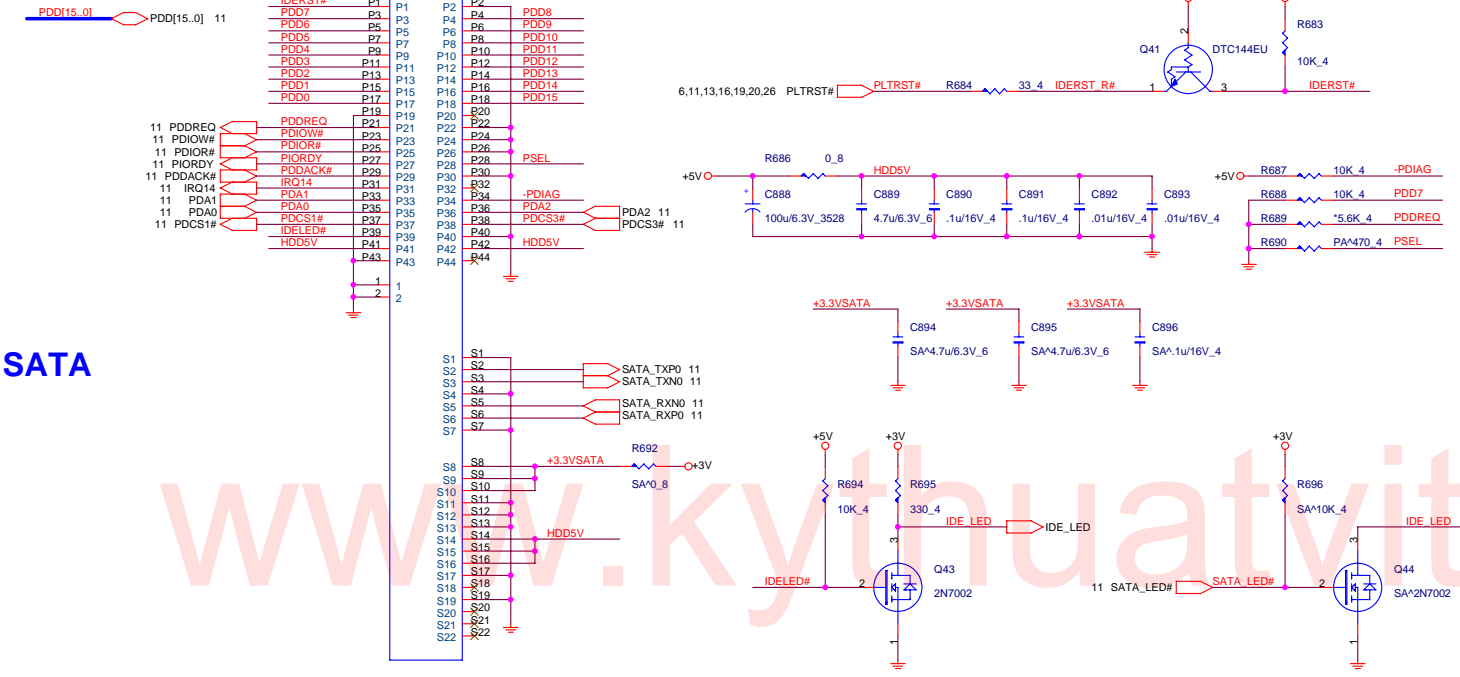


PROJECT : ZR1
Quanta Computer Inc.

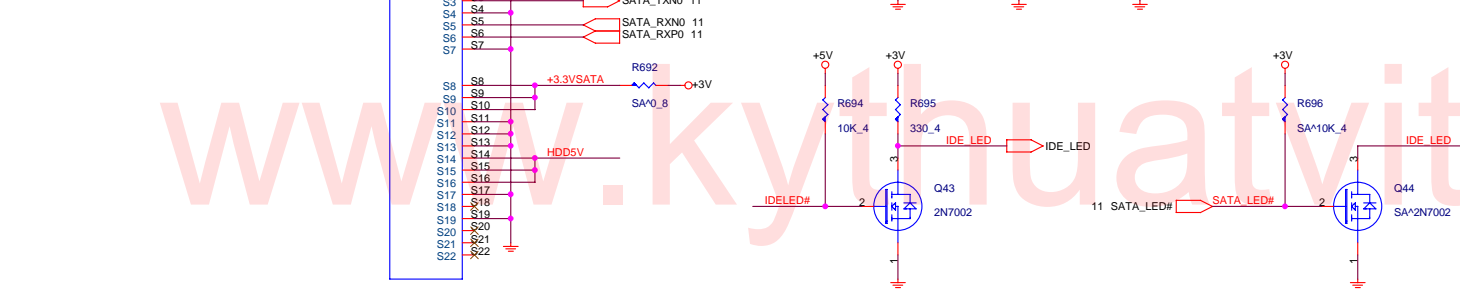
Size: Document Number
Audio Codec (ALC883)

Date: Wednesday, March 29, 2006 Sheet 17 of 29 Rev 1A

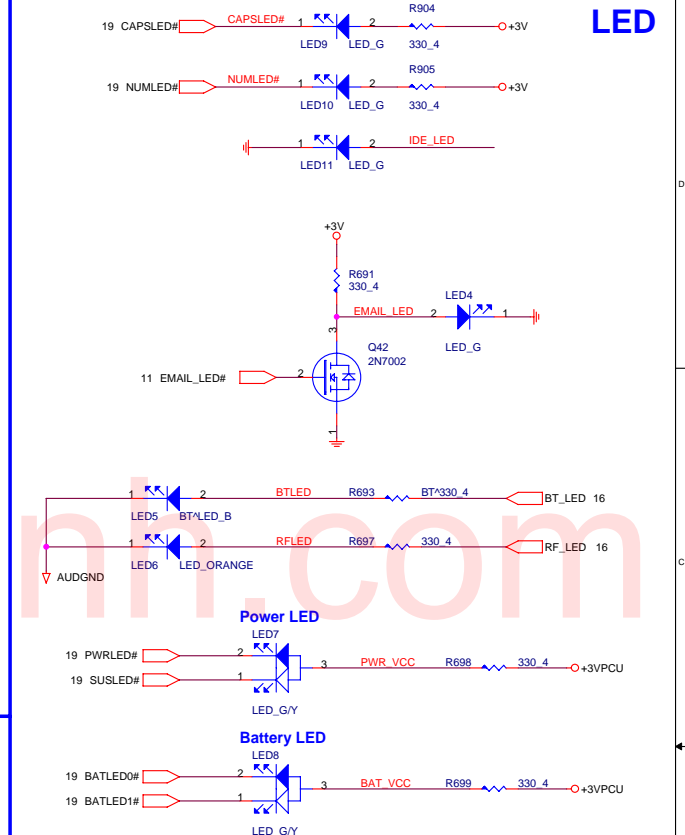
HDD



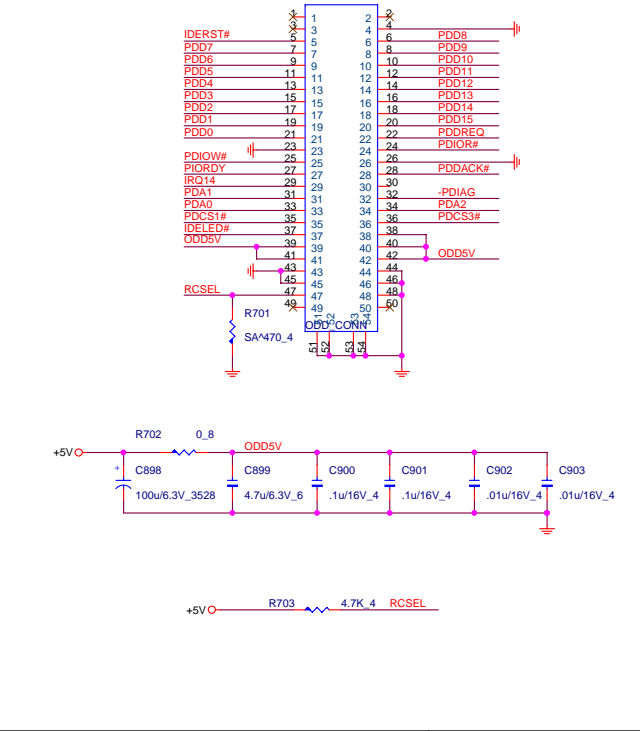
SATA



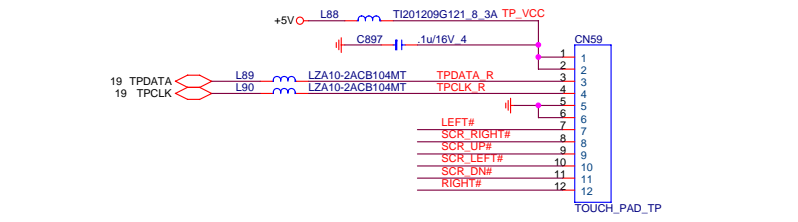
LED



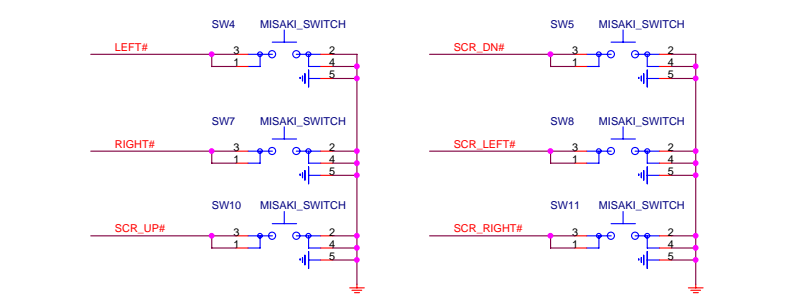
ODD



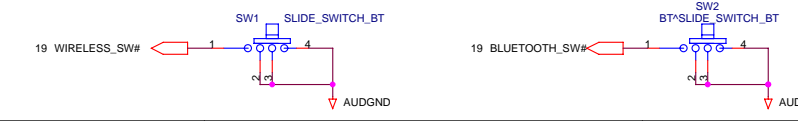
TP CONN



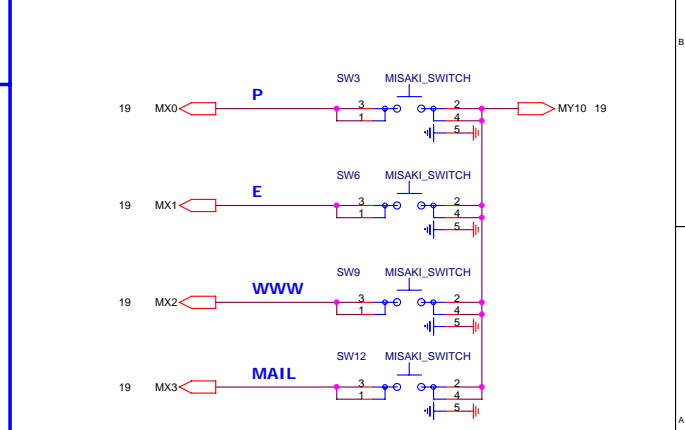
TP SWITCH



WL & BT SWITCH



QUICK KEY SWITCH

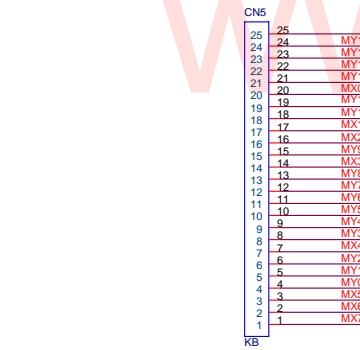
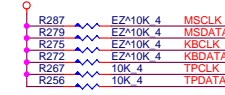
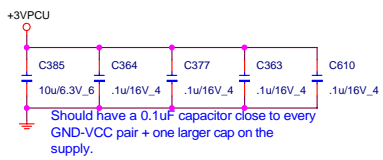


PROJECT : ZR1
Quanta Computer Inc.

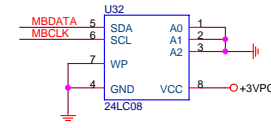
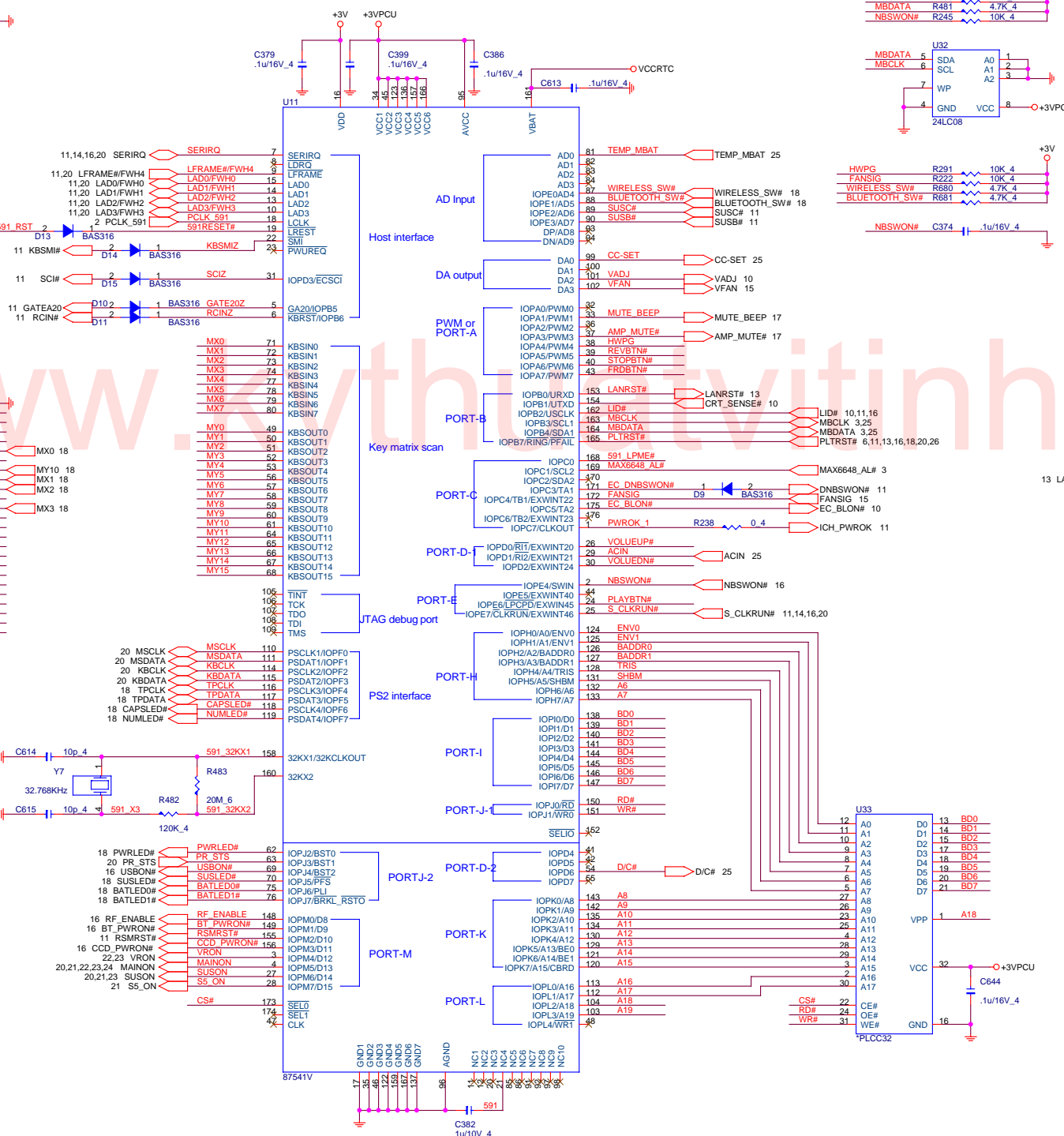
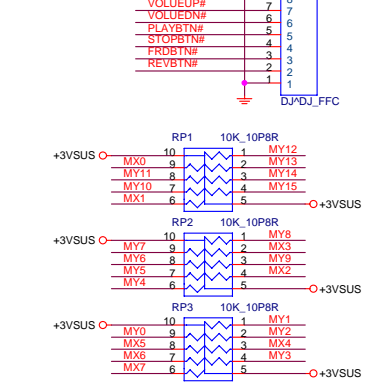
Size	Document Number	Rev
Date:	HDD/ODD/LED/SW/TP	1A
Wednesday, March 29, 2006	Sheet	18 of 29

K/B CONTROLLER

PCLK 591 R270 *22 4 PCLK 591 R C380 *10p 4

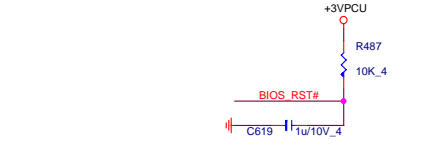
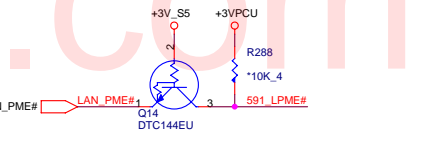
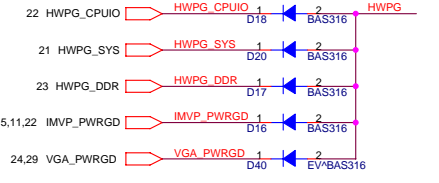


AUDIO DJ

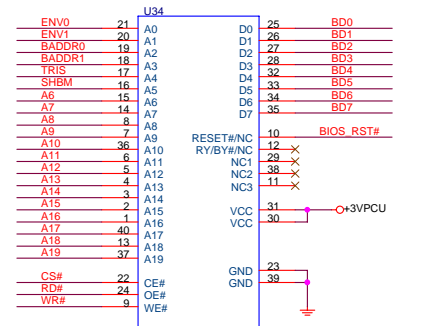


SMB#1: Enable shared memory with host BIOS

I/O Address		
BADDR1-0	Index	Data
0 0	2E	2F
0 1	4E	4F
1 0	HCFGBAH, HCFGBAL	HCFGGBAH, HCFGGBAL
1 1	Reserved	

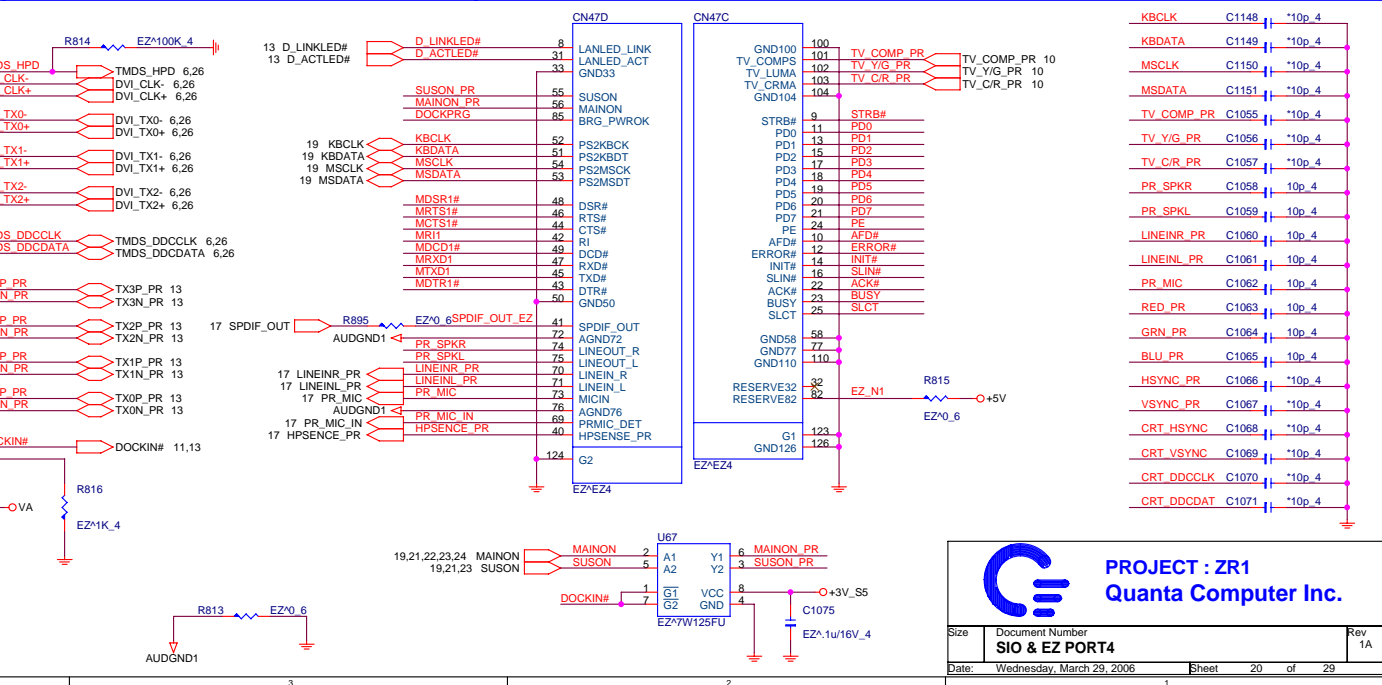
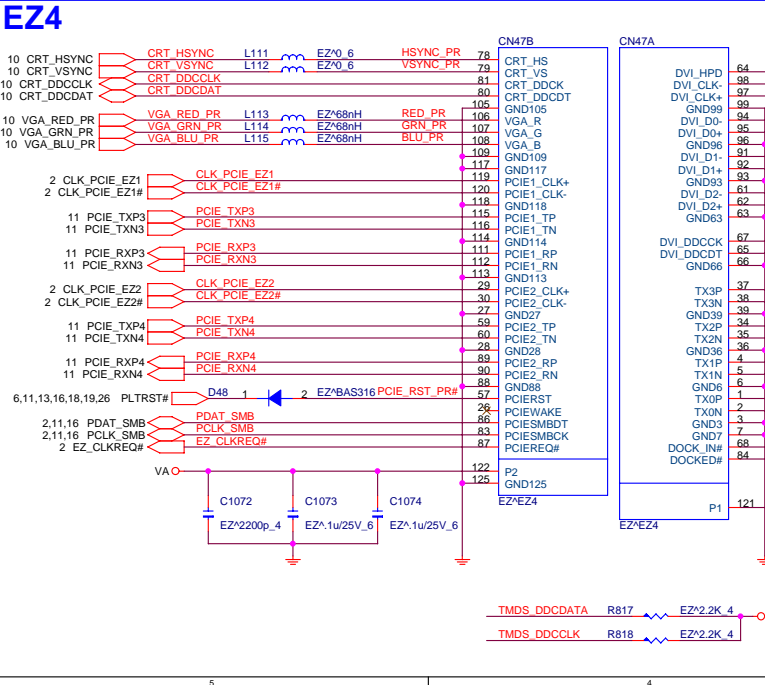
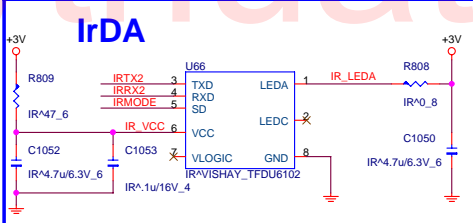
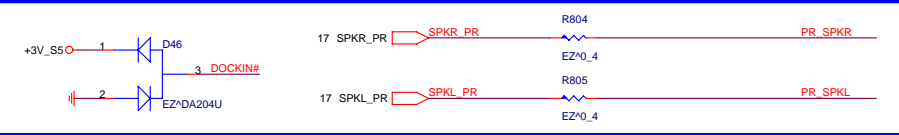
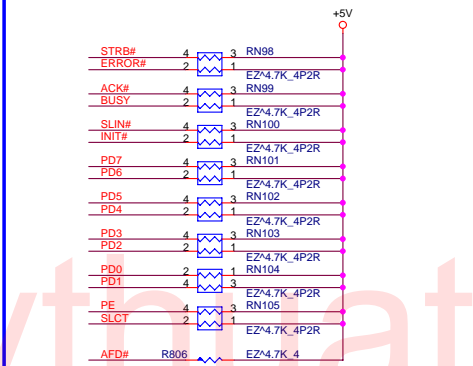
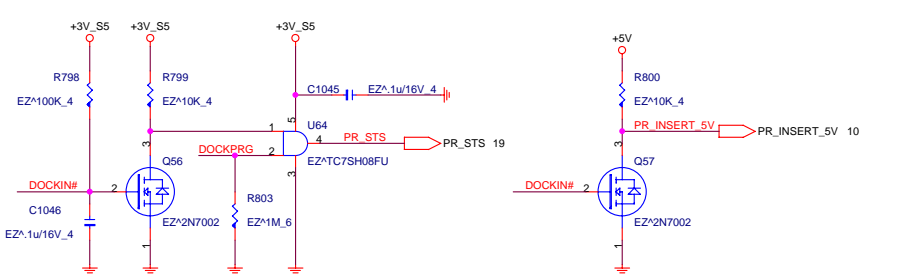
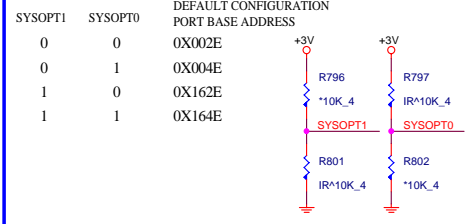
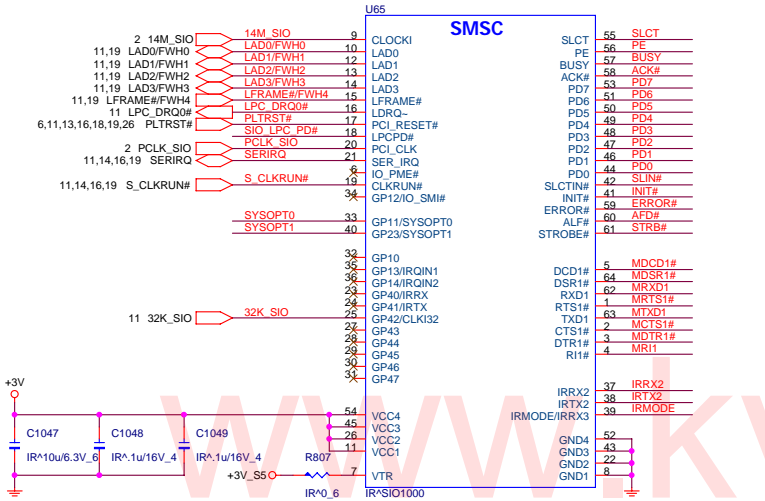


Reverse for Finger printer SKU



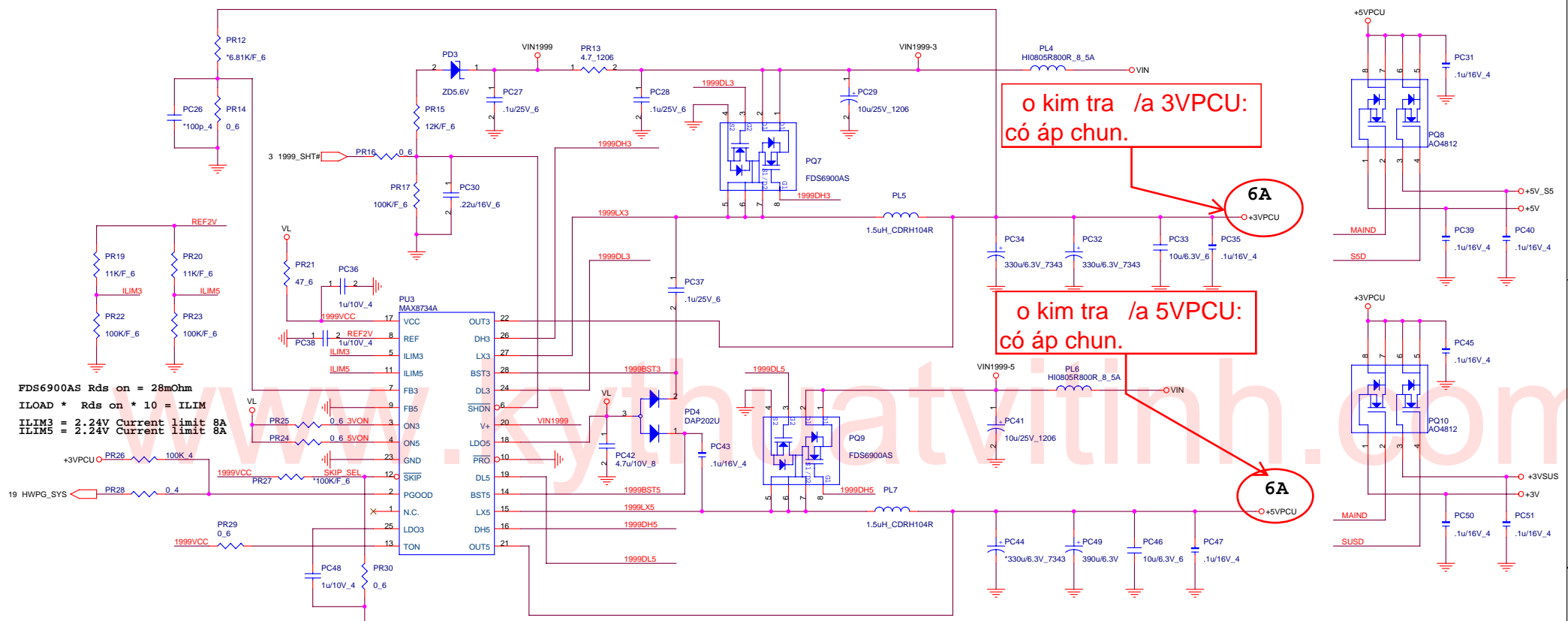
TSOP40
 AMD : Pin 10 is RESET# ; Pin12 is RY/BY#
 SST : Pin10,12 are NC

SMSC SIO1000

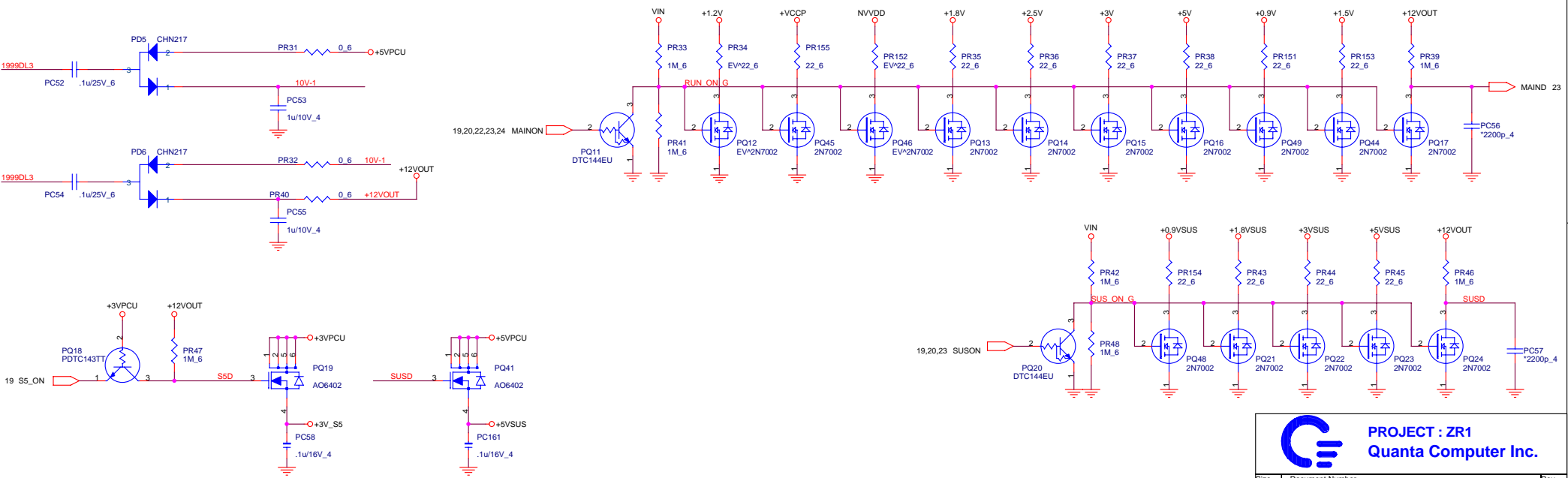


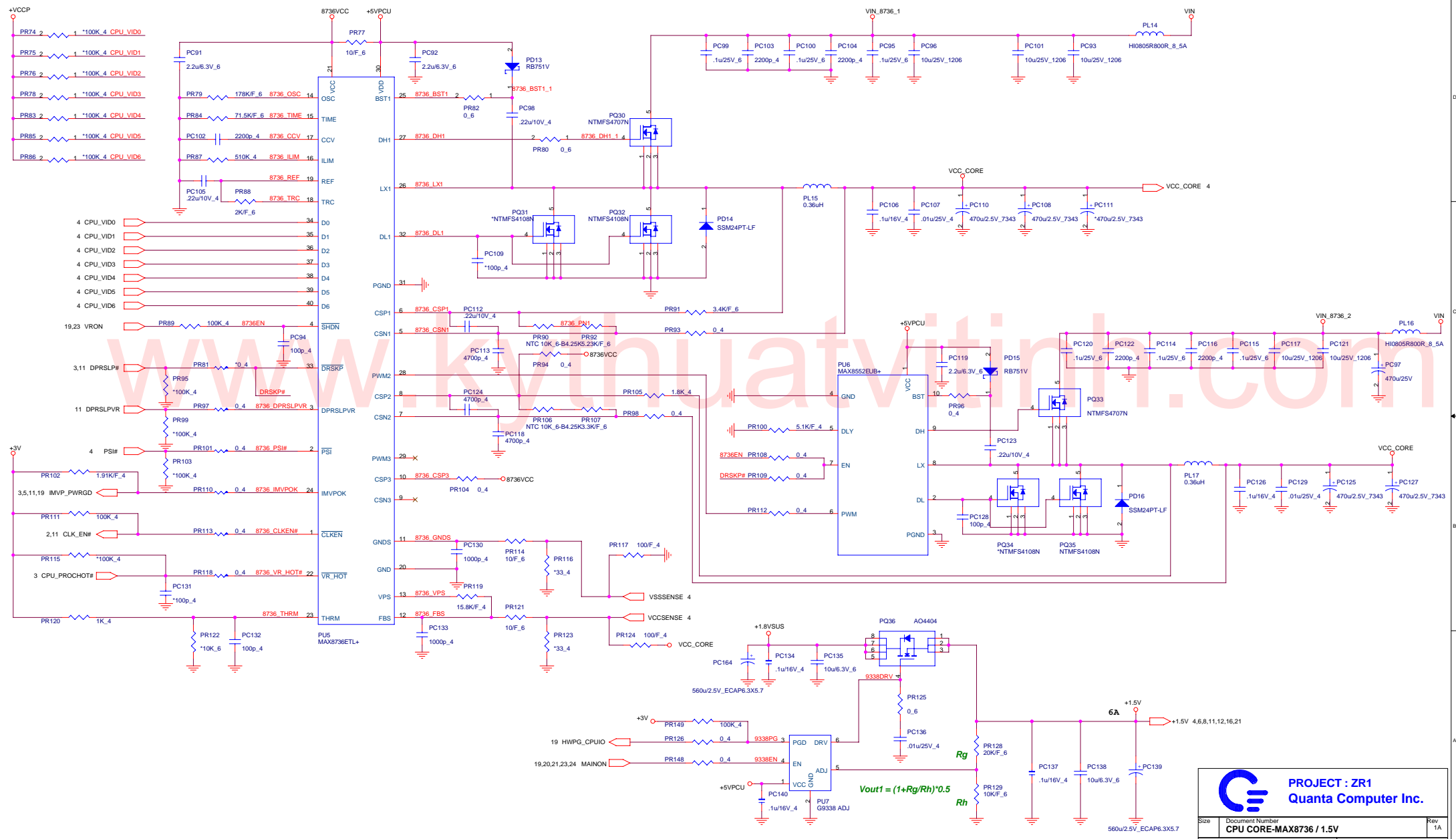
PROJECT : ZR1
Quanta Computer Inc.

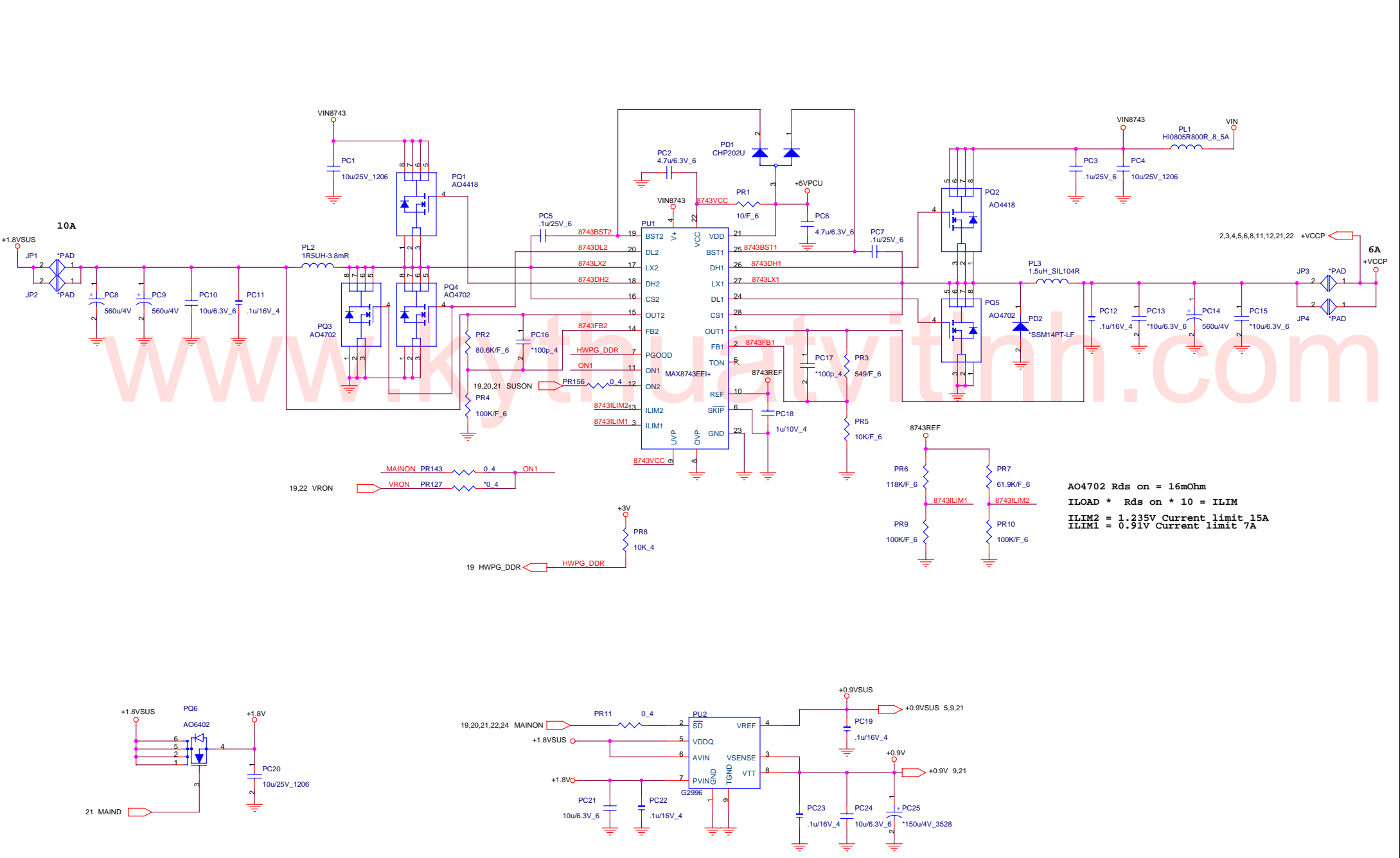
Size	Document Number	Rev
Date:	Wednesday, March 29, 2006	Sheet 20 of 29



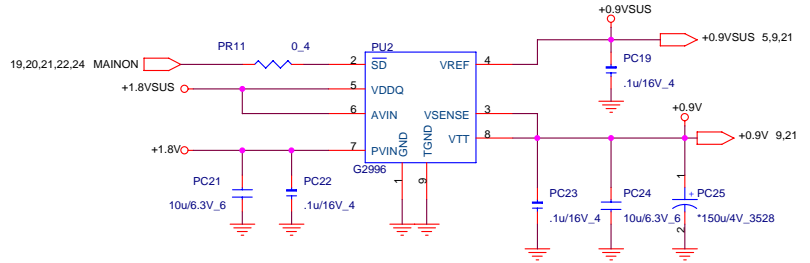
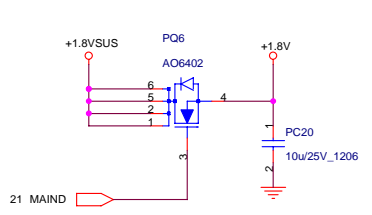
FDS6900AS Rds on = 28mOhm
 ILOAD * Rds on * 10 = ILIM
 ILIM3 = 2.24V Current limit 8A
 ILIM5 = 2.24V Current limit 8A



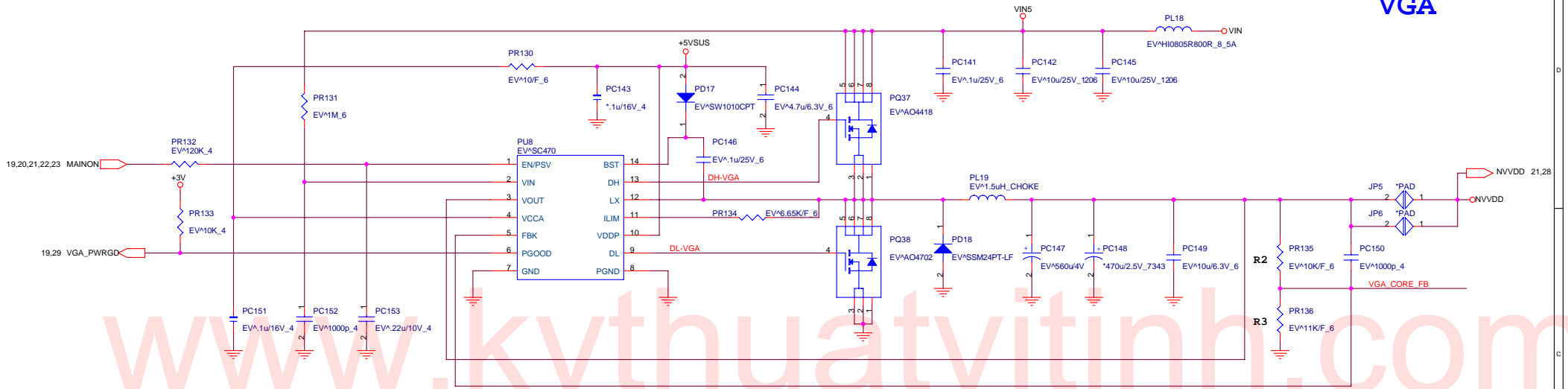




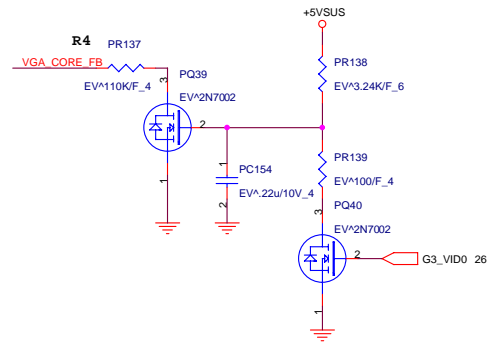
AO4702 Rds on = 16mOhm
 ILOAD * Rds on * 10 = ILIM
 ILIM2 = 1.235V Current limit 15A
 ILIM1 = 0.91V Current limit 7A



VGA



www.kythuatvithinh.com

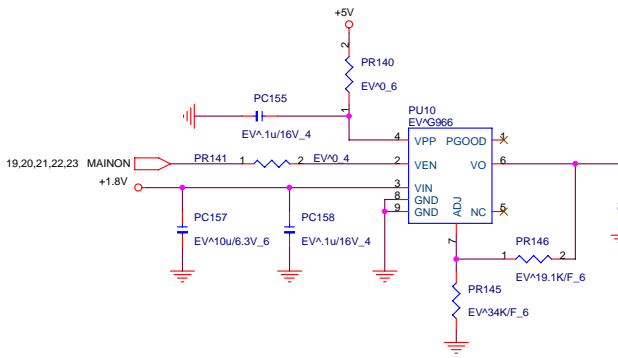


HI --> $V_{OUT} = (1 + R2/R3) * 0.5$
 LO --> $V_{OUT} = (1 + R2 / (R3 // R4)) * 0.5$

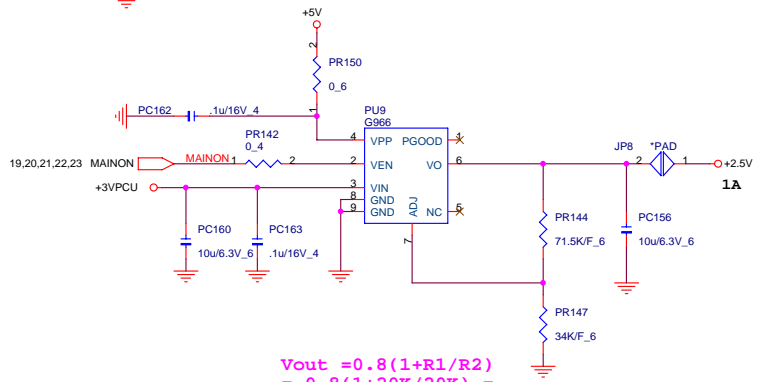
- M52P (G)**
 PR1 : 10K
 PR4 : 11K
 PR2 : 110K
- M54P**
 PR1 : 12K
 PR4 : 12K
 PR2 : 60.4K

Power Play Mode

VGA_PWR_SW	VGA_CORE
HI	0.95V--M52P (G) 1.0V --M54P
Default LO	1.0V--M52P (G) 1.1V--M54P



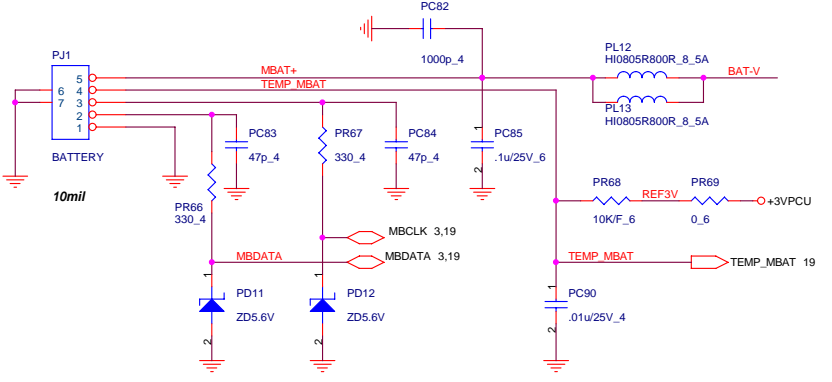
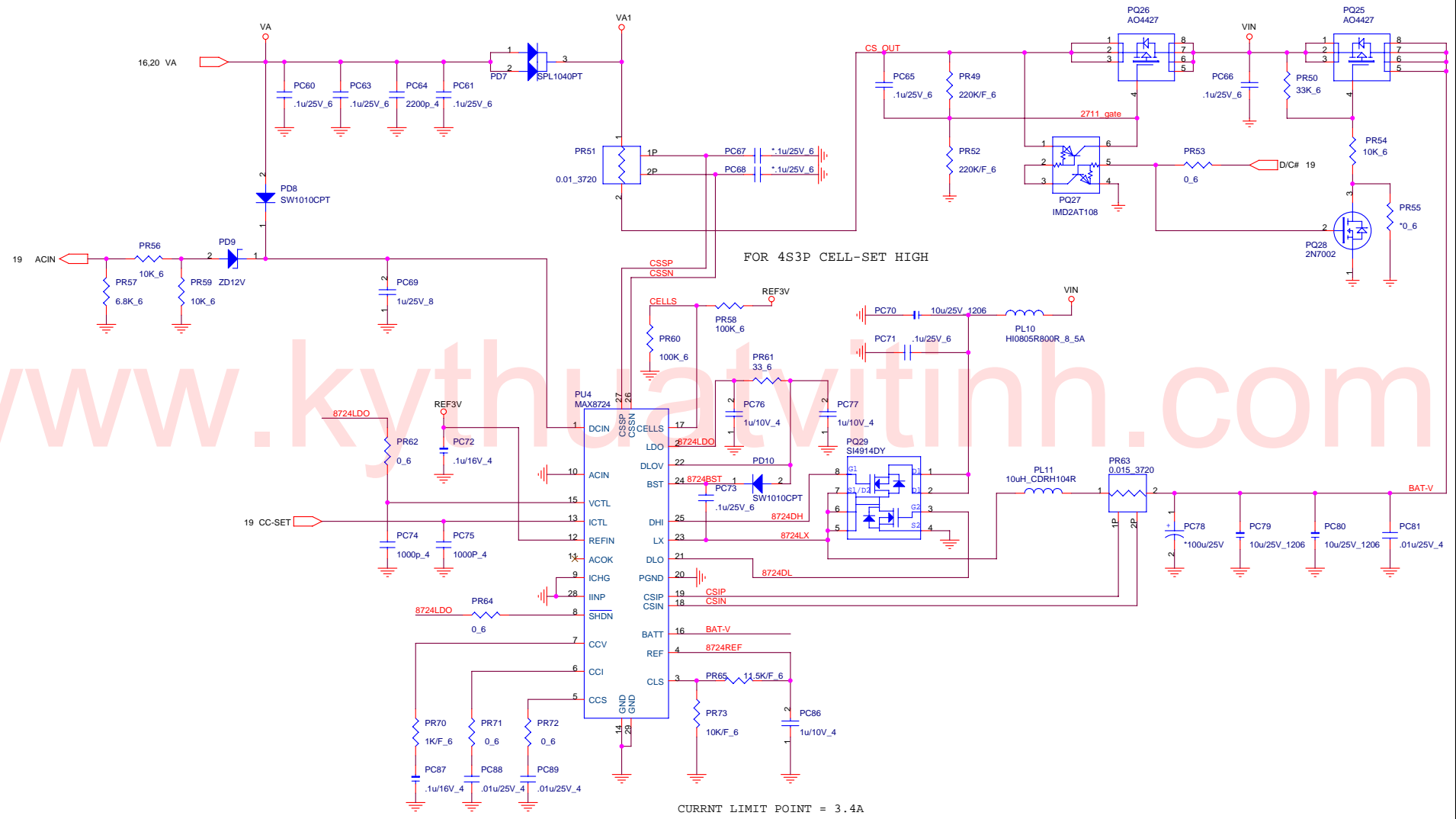
$V_{out} = 0.8(1 + R1/R2) = 0.8(1 + 20K/20K) = 1.2V$




$V_{out} = 0.8(1 + R1/R2) = 0.8(1 + 20K/20K) = 2.5V$

PROJECT : ZR1
Quanta Computer Inc.

Size	Document Number	Rev
	VGA (1.0V/1.2V/2.5V)	1A
Date:	Wednesday, March 29, 2006	Sheet 24 of 29

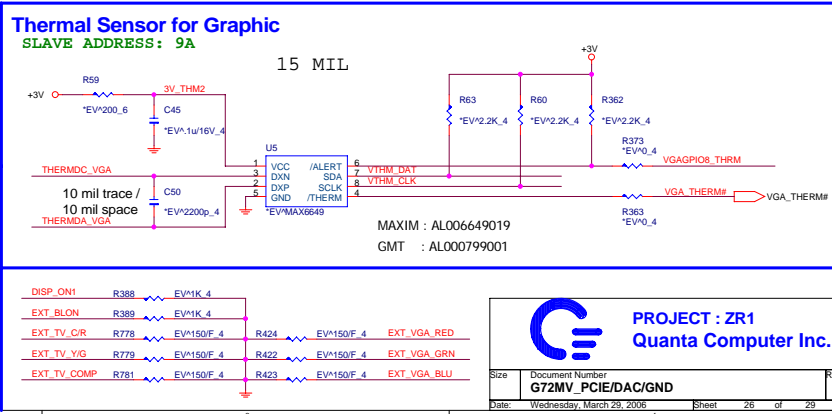
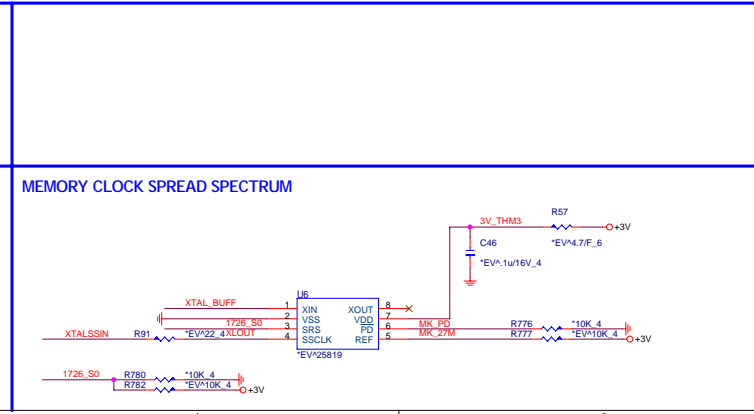
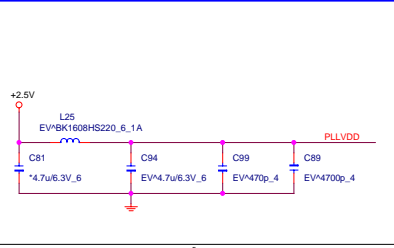
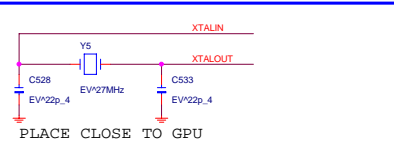
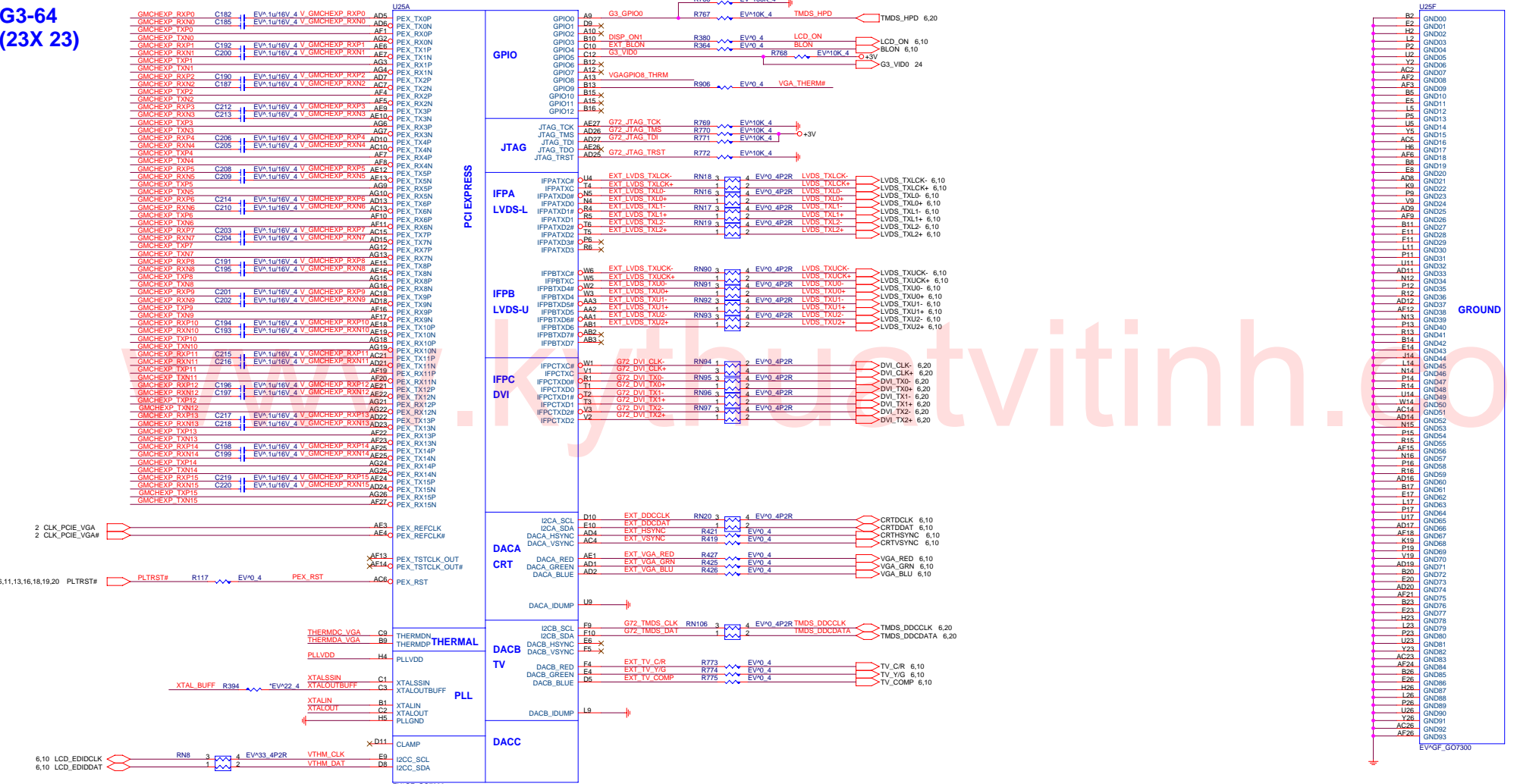


www.kythuatvithinh.com

 PROJECT : ZR1 Quanta Computer Inc.		Rev
		1A
Size	Document Number	
BATTERY CHARGER		
Date:	Wednesday, March 29, 2006	Sheet 25 of 29

**NVIDIA
G72M
G3-64
(23X 23)**

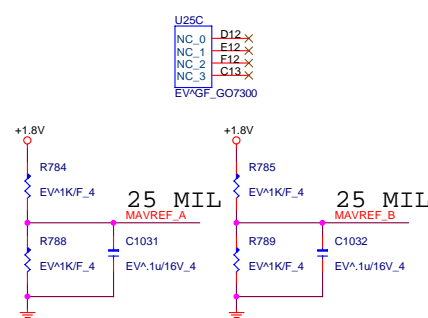
0.1u Capacitors place at last 1/3 of trace



PROJECT : ZR1
Quanta Computer Inc.

Size: Document Number
G72MV_PCIE/DAC/GND
Date: Wednesday, March 29, 2006 | Sheet: 26 of 29

FB DO0	A26	FB DO0	FB_CMD0	G27	VMA_MA3
FB DO1 <td>C24</td> <td>FB DO1 <td>FB_CMD1 <td>D25</td> <td>VMA_MA0</td> </td></td>	C24	FB DO1 <td>FB_CMD1 <td>D25</td> <td>VMA_MA0</td> </td>	FB_CMD1 <td>D25</td> <td>VMA_MA0</td>	D25	VMA_MA0
FB DO2 <td>B24</td> <td>FB DO2 <td>FB_CMD2 <td>F26</td> <td>VMA_MA2</td> </td></td>	B24	FB DO2 <td>FB_CMD2 <td>F26</td> <td>VMA_MA2</td> </td>	FB_CMD2 <td>F26</td> <td>VMA_MA2</td>	F26	VMA_MA2
FB DO3 <td>A24</td> <td>FB DO3 <td>FB_CMD3 <td>F25</td> <td>VMA_MA1</td> </td></td>	A24	FB DO3 <td>FB_CMD3 <td>F25</td> <td>VMA_MA1</td> </td>	FB_CMD3 <td>F25</td> <td>VMA_MA1</td>	F25	VMA_MA1
FB DO4 <td>C22</td> <td>FB DO4 <td>G25</td> <td>VMA_MA3H</td> <td></td> </td>	C22	FB DO4 <td>G25</td> <td>VMA_MA3H</td> <td></td>	G25	VMA_MA3H	
FB DO5 <td>A25</td> <td>FB DO5 <td>FB_CMD4 <td>J25</td> <td>VMA_MA4H</td> </td></td>	A25	FB DO5 <td>FB_CMD4 <td>J25</td> <td>VMA_MA4H</td> </td>	FB_CMD4 <td>J25</td> <td>VMA_MA4H</td>	J25	VMA_MA4H
FB DO6 <td>B25</td> <td>FB DO6 <td>FB_CMD5</td> <td>J27</td> <td>VMA_MASH</td> </td>	B25	FB DO6 <td>FB_CMD5</td> <td>J27</td> <td>VMA_MASH</td>	FB_CMD5	J27	VMA_MASH
FB DO7 <td>D23</td> <td>FB DO7 <td>FB_CMD6</td> <td>M26</td> <td>VMA_CS0#</td> </td>	D23	FB DO7 <td>FB_CMD6</td> <td>M26</td> <td>VMA_CS0#</td>	FB_CMD6	M26	VMA_CS0#
FB DO8 <td>G22</td> <td>FB DO8 <td>FB_CMD7</td> <td>C27</td> <td>VMA_WE#</td> </td>	G22	FB DO8 <td>FB_CMD7</td> <td>C27</td> <td>VMA_WE#</td>	FB_CMD7	C27	VMA_WE#
FB DO9 <td>E22</td> <td>FB DO9 <td>FB_CMD8</td> <td>D24</td> <td>VMA_BA0</td> </td>	E22	FB DO9 <td>FB_CMD8</td> <td>D24</td> <td>VMA_BA0</td>	FB_CMD8	D24	VMA_BA0
FB DO10 <td>E22</td> <td>FB DO10 <td>FB_CMD9</td> <td>N27</td> <td>VMA_CKE</td> </td>	E22	FB DO10 <td>FB_CMD9</td> <td>N27</td> <td>VMA_CKE</td>	FB_CMD9	N27	VMA_CKE
FB DO11 <td>F23</td> <td>FB DO11 <td>FB_CMD10</td> <td>G24</td> <td>VMA_ODT</td> </td>	F23	FB DO11 <td>FB_CMD10</td> <td>G24</td> <td>VMA_ODT</td>	FB_CMD10	G24	VMA_ODT
FB DO12 <td>C22</td> <td>FB DO12 <td>FB_CMD11</td> <td>J26</td> <td>VMA_MA2H</td> </td>	C22	FB DO12 <td>FB_CMD11</td> <td>J26</td> <td>VMA_MA2H</td>	FB_CMD11	J26	VMA_MA2H
FB DO13 <td>J24</td> <td>FB DO13 <td>FB_CMD12</td> <td>M27</td> <td>VMA_MA12</td> </td>	J24	FB DO13 <td>FB_CMD12</td> <td>M27</td> <td>VMA_MA12</td>	FB_CMD12	M27	VMA_MA12
FB DO14 <td>G23</td> <td>FB DO14 <td>FB_CMD13</td> <td>C26</td> <td>VMA_RAS#</td> </td>	G23	FB DO14 <td>FB_CMD13</td> <td>C26</td> <td>VMA_RAS#</td>	FB_CMD13	C26	VMA_RAS#
FB DO15 <td>H24</td> <td>FB DO15 <td>FB_CMD14</td> <td>M25</td> <td>VMA_MA11</td> </td>	H24	FB DO15 <td>FB_CMD14</td> <td>M25</td> <td>VMA_MA11</td>	FB_CMD14	M25	VMA_MA11
FB DO16 <td>D16</td> <td>FB DO16 <td>FB_CMD15</td> <td>D26</td> <td>VMA_MA10</td> </td>	D16	FB DO16 <td>FB_CMD15</td> <td>D26</td> <td>VMA_MA10</td>	FB_CMD15	D26	VMA_MA10
FB DO17 <td>E16</td> <td>FB DO17 <td>FB_CMD16</td> <td>D27</td> <td>VMA_BA1</td> </td>	E16	FB DO17 <td>FB_CMD16</td> <td>D27</td> <td>VMA_BA1</td>	FB_CMD16	D27	VMA_BA1
FB DO18 <td>D17</td> <td>FB DO18 <td>FB_CMD17</td> <td>K26</td> <td>VMA_MA8</td> </td>	D17	FB DO18 <td>FB_CMD17</td> <td>K26</td> <td>VMA_MA8</td>	FB_CMD17	K26	VMA_MA8
FB DO19 <td>F18</td> <td>FB DO19 <td>FB_CMD18</td> <td>K25</td> <td>VMA_MA9</td> </td>	F18	FB DO19 <td>FB_CMD18</td> <td>K25</td> <td>VMA_MA9</td>	FB_CMD18	K25	VMA_MA9
FB DO20 <td>E19</td> <td>FB DO20 <td>FB_CMD19</td> <td>K24</td> <td>VMA_MA6</td> </td>	E19	FB DO20 <td>FB_CMD19</td> <td>K24</td> <td>VMA_MA6</td>	FB_CMD19	K24	VMA_MA6
FB DO21 <td>E18</td> <td>FB DO21 <td>FB_CMD20</td> <td>F27</td> <td>VMA_MA5</td> </td>	E18	FB DO21 <td>FB_CMD20</td> <td>F27</td> <td>VMA_MA5</td>	FB_CMD20	F27	VMA_MA5
FB DO22 <td>D19</td> <td>FB DO22 <td>FB_CMD21</td> <td>K27</td> <td>VMA_MA7</td> </td>	D19	FB DO22 <td>FB_CMD21</td> <td>K27</td> <td>VMA_MA7</td>	FB_CMD21	K27	VMA_MA7
FB DO23 <td>A18</td> <td>FB DO23 <td>FB_CMD22</td> <td>G26</td> <td>VMA_MA4</td> </td>	A18	FB DO23 <td>FB_CMD22</td> <td>G26</td> <td>VMA_MA4</td>	FB_CMD22	G26	VMA_MA4
FB DO24 <td>B18</td> <td>FB DO24 <td>FB_CMD23</td> <td>B27</td> <td>VMA_CAS#</td> </td>	B18	FB DO24 <td>FB_CMD23</td> <td>B27</td> <td>VMA_CAS#</td>	FB_CMD23	B27	VMA_CAS#
FB DO25 <td>A19</td> <td>FB DO25 <td>FB_CMD24</td> <td>N24</td> <td></td> </td>	A19	FB DO25 <td>FB_CMD24</td> <td>N24</td> <td></td>	FB_CMD24	N24	
FB DO26 <td>B19</td> <td>FB DO26 <td>FB_CMD25</td> <td></td> <td></td> </td>	B19	FB DO26 <td>FB_CMD25</td> <td></td> <td></td>	FB_CMD25		
FB DO27 <td>D18</td> <td>FB DO27 <td>FB_CMD26</td> <td></td> <td></td> </td>	D18	FB DO27 <td>FB_CMD26</td> <td></td> <td></td>	FB_CMD26		
FB DO28 <td>C19</td> <td>FB DO28 <td></td> <td></td> <td></td> </td>	C19	FB DO28 <td></td> <td></td> <td></td>			
FB DO29 <td>C18</td> <td>FB DO29 <td></td> <td></td> <td></td> </td>	C18	FB DO29 <td></td> <td></td> <td></td>			
FB DO30 <td>N26</td> <td>FB DO30 <td></td> <td></td> <td></td> </td>	N26	FB DO30 <td></td> <td></td> <td></td>			
FB DO31 <td>N25</td> <td>FB DO31 <td></td> <td></td> <td></td> </td>	N25	FB DO31 <td></td> <td></td> <td></td>			
FB DO32 <td>R25</td> <td>FB DO32 <td></td> <td></td> <td></td> </td>	R25	FB DO32 <td></td> <td></td> <td></td>			
FB DO33 <td>R26</td> <td>FB DO33 <td></td> <td></td> <td></td> </td>	R26	FB DO33 <td></td> <td></td> <td></td>			
FB DO34 <td>T25</td> <td>FB DO34 <td></td> <td></td> <td></td> </td>	T25	FB DO34 <td></td> <td></td> <td></td>			
FB DO35 <td>T26</td> <td>FB DO35 <td></td> <td></td> <td></td> </td>	T26	FB DO35 <td></td> <td></td> <td></td>			
FB DO36 <td>AB23</td> <td>FB DO36 <td></td> <td></td> <td></td> </td>	AB23	FB DO36 <td></td> <td></td> <td></td>			
FB DO37 <td>Y24</td> <td>FB DO37 <td></td> <td></td> <td></td> </td>	Y24	FB DO37 <td></td> <td></td> <td></td>			
FB DO38 <td>AB24</td> <td>FB DO38 <td></td> <td></td> <td></td> </td>	AB24	FB DO38 <td></td> <td></td> <td></td>			
FB DO39 <td>AC22</td> <td>FB DO39 <td></td> <td></td> <td></td> </td>	AC22	FB DO39 <td></td> <td></td> <td></td>			
FB DO40 <td>AC23</td> <td>FB DO40 <td></td> <td></td> <td></td> </td>	AC23	FB DO40 <td></td> <td></td> <td></td>			
FB DO41 <td>AA23</td> <td>FB DO41 <td></td> <td></td> <td></td> </td>	AA23	FB DO41 <td></td> <td></td> <td></td>			
FB DO42 <td>AA22</td> <td>FB DO42 <td></td> <td></td> <td></td> </td>	AA22	FB DO42 <td></td> <td></td> <td></td>			
FB DO43 <td>T24</td> <td>FB DO43 <td></td> <td></td> <td></td> </td>	T24	FB DO43 <td></td> <td></td> <td></td>			
FB DO44 <td>R24</td> <td>FB DO44 <td></td> <td></td> <td></td> </td>	R24	FB DO44 <td></td> <td></td> <td></td>			
FB DO45 <td>R23</td> <td>FB DO45 <td></td> <td></td> <td></td> </td>	R23	FB DO45 <td></td> <td></td> <td></td>			
FB DO46 <td>R22</td> <td>FB DO46 <td></td> <td></td> <td></td> </td>	R22	FB DO46 <td></td> <td></td> <td></td>			
FB DO47 <td>T22</td> <td>FB DO47 <td></td> <td></td> <td></td> </td>	T22	FB DO47 <td></td> <td></td> <td></td>			
FB DO48 <td>N23</td> <td>FB DO48 <td></td> <td></td> <td></td> </td>	N23	FB DO48 <td></td> <td></td> <td></td>			
FB DO49 <td>P24</td> <td>FB DO49 <td></td> <td></td> <td></td> </td>	P24	FB DO49 <td></td> <td></td> <td></td>			
FB DO50 <td>AA24</td> <td>FB DO50 <td></td> <td></td> <td></td> </td>	AA24	FB DO50 <td></td> <td></td> <td></td>			
FB DO51 <td>AA27</td> <td>FB DO51 <td></td> <td></td> <td></td> </td>	AA27	FB DO51 <td></td> <td></td> <td></td>			
FB DO52 <td>AA26</td> <td>FB DO52 <td></td> <td></td> <td></td> </td>	AA26	FB DO52 <td></td> <td></td> <td></td>			
FB DO53 <td>AB25</td> <td>FB DO53 <td></td> <td></td> <td></td> </td>	AB25	FB DO53 <td></td> <td></td> <td></td>			
FB DO54 <td>AB26</td> <td>FB DO54 <td></td> <td></td> <td></td> </td>	AB26	FB DO54 <td></td> <td></td> <td></td>			
FB DO55 <td>AB27</td> <td>FB DO55 <td></td> <td></td> <td></td> </td>	AB27	FB DO55 <td></td> <td></td> <td></td>			
FB DO56 <td>AA25</td> <td>FB DO56 <td></td> <td></td> <td></td> </td>	AA25	FB DO56 <td></td> <td></td> <td></td>			
FB DO57 <td>DO60</td> <td>FB DO57 <td></td> <td></td> <td></td> </td>	DO60	FB DO57 <td></td> <td></td> <td></td>			
FB DO58 <td>DO61</td> <td>FB DO58 <td></td> <td></td> <td></td> </td>	DO61	FB DO58 <td></td> <td></td> <td></td>			
FB DO59 <td>DO62</td> <td>FB DO59 <td></td> <td></td> <td></td> </td>	DO62	FB DO59 <td></td> <td></td> <td></td>			
FB DO60 <td>DO62</td> <td>FB DO60 <td></td> <td></td> <td></td> </td>	DO62	FB DO60 <td></td> <td></td> <td></td>			
FB DO61 <td>DO62</td> <td>FB DO61 <td></td> <td></td> <td></td> </td>	DO62	FB DO61 <td></td> <td></td> <td></td>			
FB DO62 <td>DO62</td> <td>FB DO62 <td></td> <td></td> <td></td> </td>	DO62	FB DO62 <td></td> <td></td> <td></td>			
FB DO63 <td>W25</td> <td>FB DO63 <td></td> <td></td> <td></td> </td>	W25	FB DO63 <td></td> <td></td> <td></td>			
FB DOM0 <td>D21</td> <td>FB DOM0 <td></td> <td></td> <td></td> </td>	D21	FB DOM0 <td></td> <td></td> <td></td>			
FB DOM1 <td>F22</td> <td>FB DOM1 <td></td> <td></td> <td></td> </td>	F22	FB DOM1 <td></td> <td></td> <td></td>			
FB DOM2 <td>F20</td> <td>FB DOM2 <td></td> <td></td> <td></td> </td>	F20	FB DOM2 <td></td> <td></td> <td></td>			
FB DOM3 <td>A21</td> <td>FB DOM3 <td></td> <td></td> <td></td> </td>	A21	FB DOM3 <td></td> <td></td> <td></td>			
FB DOM4 <td>V27</td> <td>FB DOM4 <td></td> <td></td> <td></td> </td>	V27	FB DOM4 <td></td> <td></td> <td></td>			
FB DOM5 <td>W22</td> <td>FB DOM5 <td></td> <td></td> <td></td> </td>	W22	FB DOM5 <td></td> <td></td> <td></td>			
FB DOM6 <td>V22</td> <td>FB DOM6 <td></td> <td></td> <td></td> </td>	V22	FB DOM6 <td></td> <td></td> <td></td>			
FB DOM7 <td>V24</td> <td>FB DOM7 <td></td> <td></td> <td></td> </td>	V24	FB DOM7 <td></td> <td></td> <td></td>			
FB DOS0_WP0 <td>B22</td> <td>FB DOS0_WP0 <td></td> <td></td> <td></td> </td>	B22	FB DOS0_WP0 <td></td> <td></td> <td></td>			
FB DOS0_WP1 <td>D22</td> <td>FB DOS0_WP1 <td></td> <td></td> <td></td> </td>	D22	FB DOS0_WP1 <td></td> <td></td> <td></td>			
FB DOS0_WP2 <td>E21</td> <td>FB DOS0_WP2 <td></td> <td></td> <td></td> </td>	E21	FB DOS0_WP2 <td></td> <td></td> <td></td>			
FB DOS0_WP3 <td>C21</td> <td>FB DOS0_WP3 <td></td> <td></td> <td></td> </td>	C21	FB DOS0_WP3 <td></td> <td></td> <td></td>			
FB DOS0_WP4 <td>V25</td> <td>FB DOS0_WP4 <td></td> <td></td> <td></td> </td>	V25	FB DOS0_WP4 <td></td> <td></td> <td></td>			
FB DOS0_WP5 <td>W24</td> <td>FB DOS0_WP5 <td></td> <td></td> <td></td> </td>	W24	FB DOS0_WP5 <td></td> <td></td> <td></td>			
FB DOS0_WP6 <td>U24</td> <td>FB DOS0_WP6 <td></td> <td></td> <td></td> </td>	U24	FB DOS0_WP6 <td></td> <td></td> <td></td>			
FB DOS0_WP7 <td>W26</td> <td>FB DOS0_WP7 <td></td> <td></td> <td></td> </td>	W26	FB DOS0_WP7 <td></td> <td></td> <td></td>			

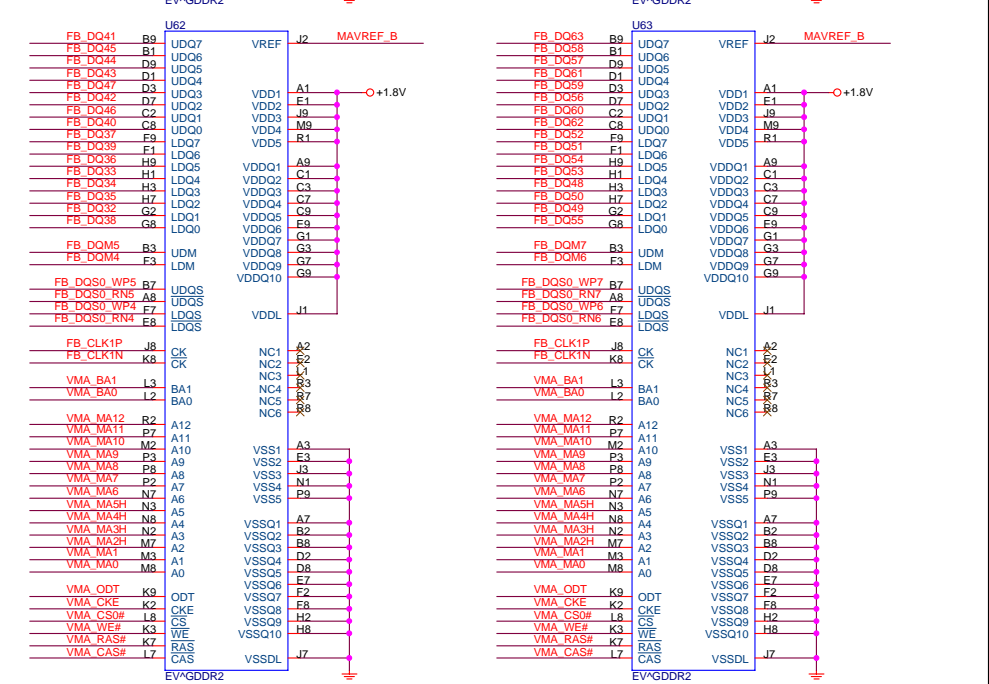
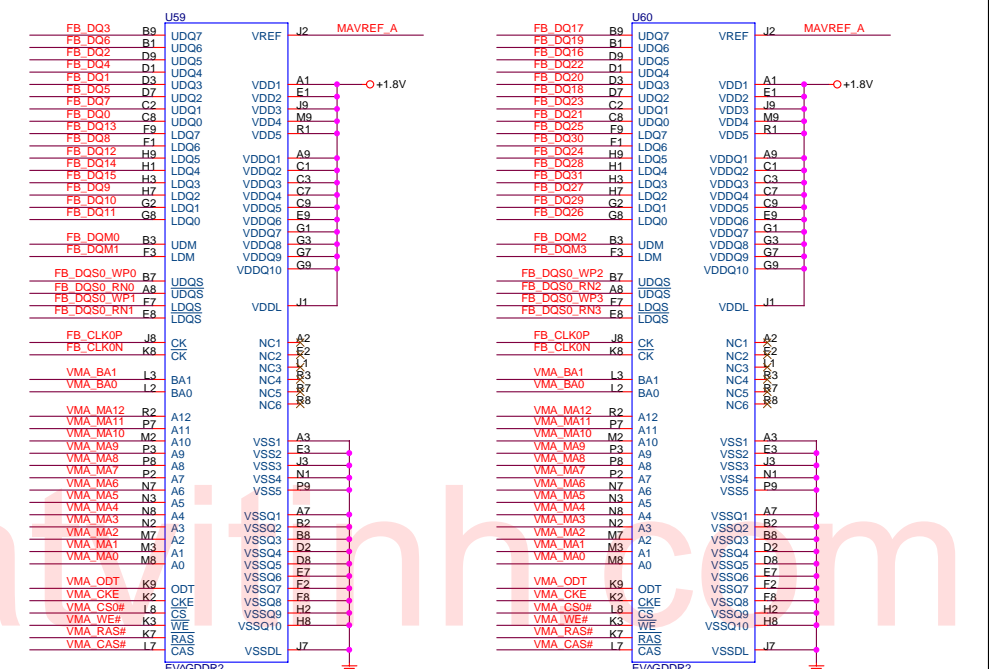


EV^GF_G07300




PLACE CLOSE TO BALLS

EV^GF_G07300

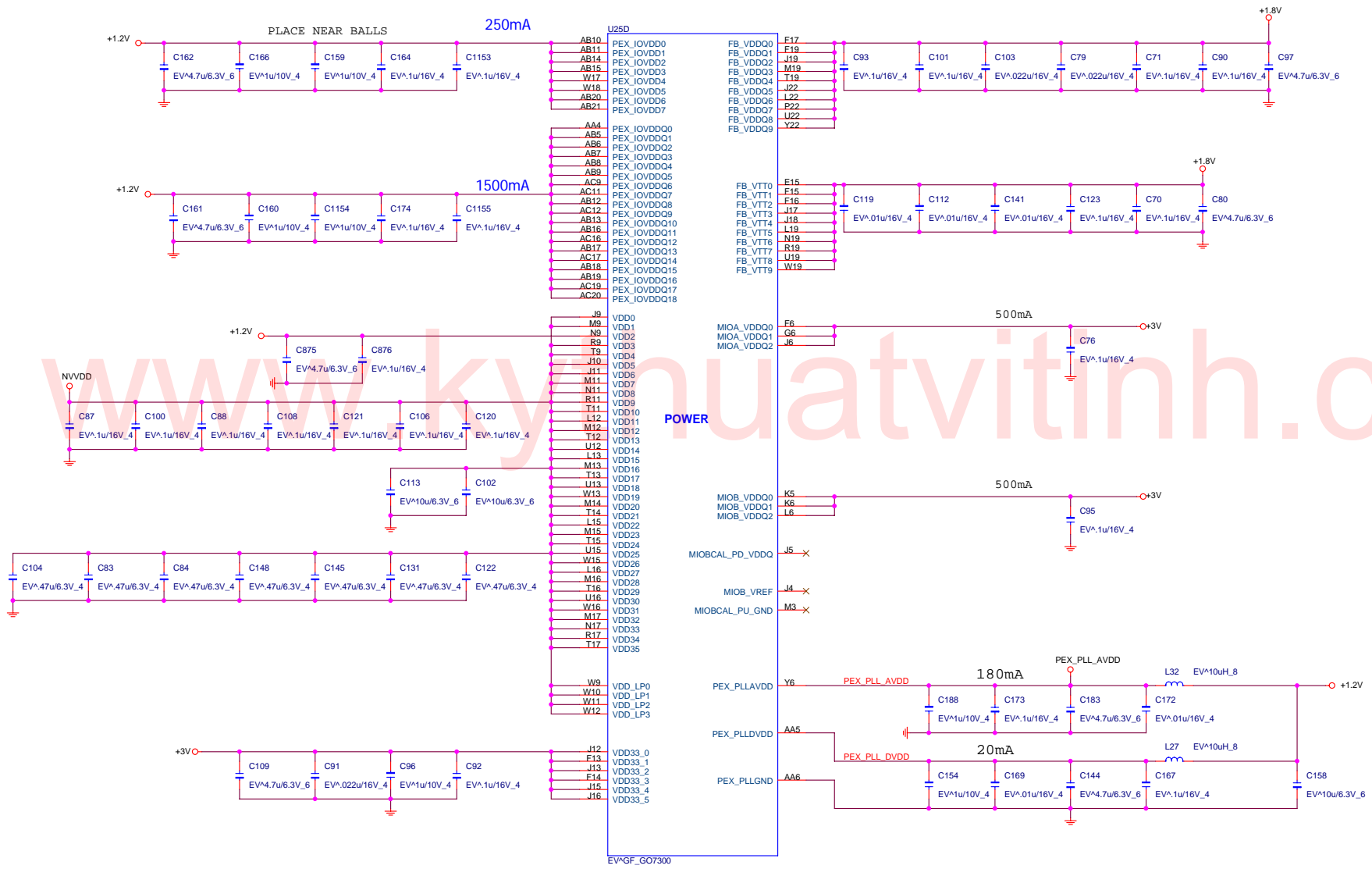


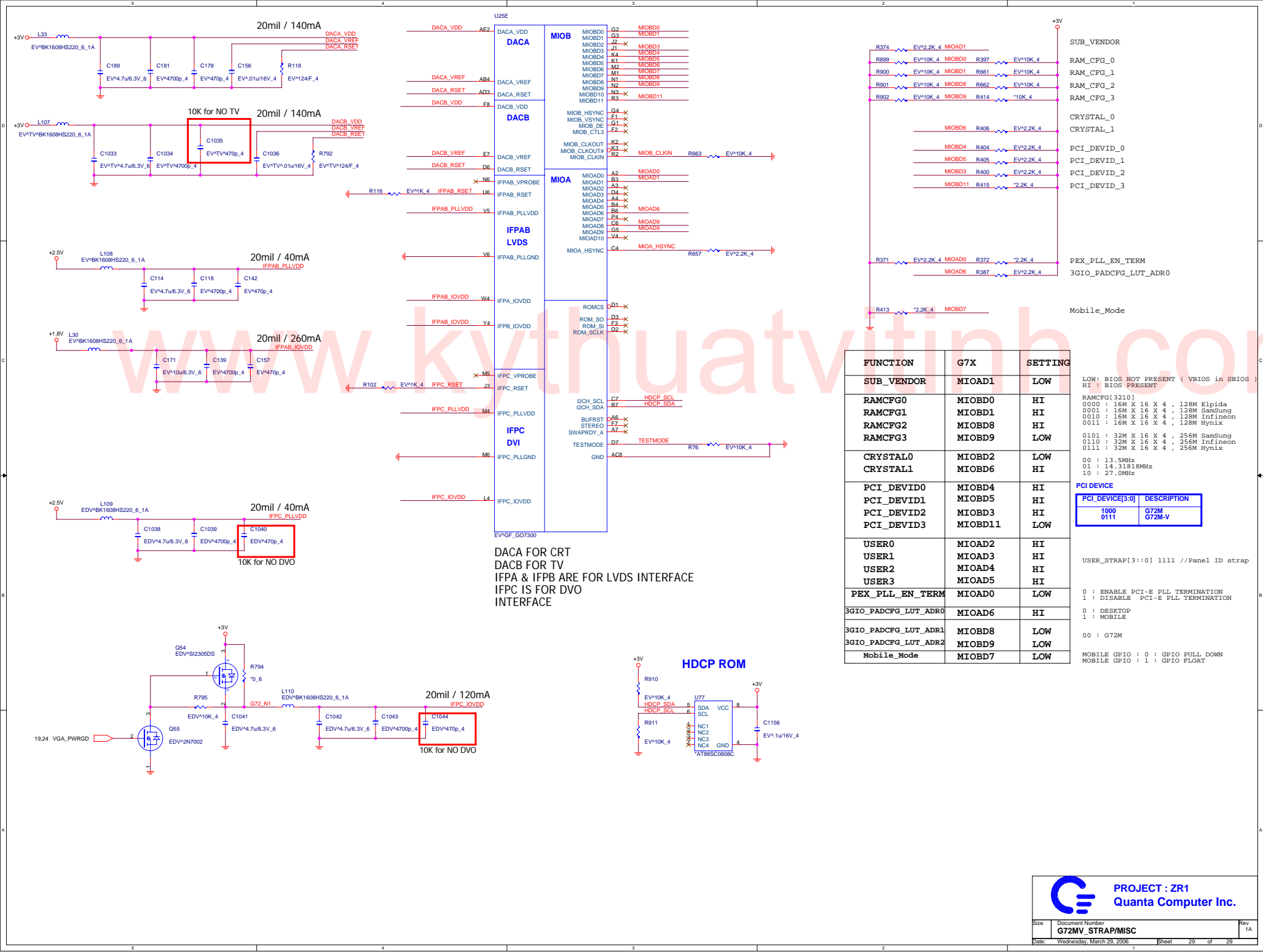
SAMSUNG 16M*16 --> AKD5JGBT509
 SAMSUNG 32M*16 --> AKD5FGBT501
 INF1 16M*16 --> AKD5JG-T^08
 INF1 32M*16 --> AKD5FG-T^00
 HYNIX 16M*16 --> AKD5JG-TW12
 HYNIX 32M*16 --> AKD5FG-TW14



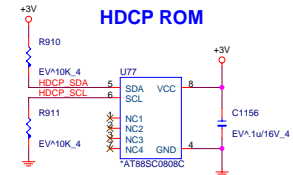
PROJECT : ZR1
Quanta Computer Inc.

Size	Document Number	Rev
	G72MV_MEMORY A/B/C/D	1A
Date:	Wednesday, March 29, 2006	Sheet 27 of 29





DACA FOR CRT
 DACB FOR TV
 IFPA & IFPB ARE FOR LVDS INTERFACE
 IFPC IS FOR DVO INTERFACE



FUNCTION	G7X	SETTING
SUB_VENDOR	MIOAD1	LOW
RAMCFG0	MIOBD0	HI
RAMCFG1	MIOBD1	HI
RAMCFG2	MIOBD8	HI
RAMCFG3	MIOBD9	LOW
CRYSTAL0	MIOBD2	LOW
CRYSTAL1	MIOBD6	HI
PCI_DEVID0	MIOBD4	HI
PCI_DEVID1	MIOBD5	HI
PCI_DEVID2	MIOBD3	HI
PCI_DEVID3	MIOBD11	LOW
USER0	MIOAD2	HI
USER1	MIOAD3	HI
USER2	MIOAD4	HI
USER3	MIOAD5	HI
PEX_PLL_EN_TERM	MIOAD0	LOW
3GIO_PADCFG_LUT_ADR0	MIOAD6	HI
3GIO_PADCFG_LUT_ADR1	MIOBD8	LOW
3GIO_PADCFG_LUT_ADR2	MIOBD9	LOW
Mobile_Mode	MIOBD7	LOW

LOW: BIOS NOT PRESENT (VBIOS in SBIOS)
 HI: BIOS PRESENT

RAMCFG[3210]
 0000 : 16M X 16 X 4 , 128M Elpida
 0001 : 16M X 16 X 4 , 128M Samsung
 0010 : 16M X 16 X 4 , 128M Infineon
 0011 : 16M X 16 X 4 , 128M Hynix

0101 : 32M X 16 X 4 , 256M Samsung
 0110 : 32M X 16 X 4 , 256M Infineon
 0111 : 32M X 16 X 4 , 256M Hynix

00 : 13.5MHz
 01 : 14.31818MHz
 10 : 27.0MHz

PCI DEVICE

PCI_DEVICE[3:0]	DESCRIPTION
1000	G72M
0111	G72M-V

USER_STRAP[3:1:0] 1111 //Panel ID strap

0 : ENABLE PCI-E PLL TERMINATION
 1 : DISABLE PCI-E PLL TERMINATION

0 : DESKTOP
 1 : MOBILE

00 : G72M

MOBILE GPIO : 0 : GPIO PULL DOWN
 MOBILE GPIO : 1 : GPIO FLOAT